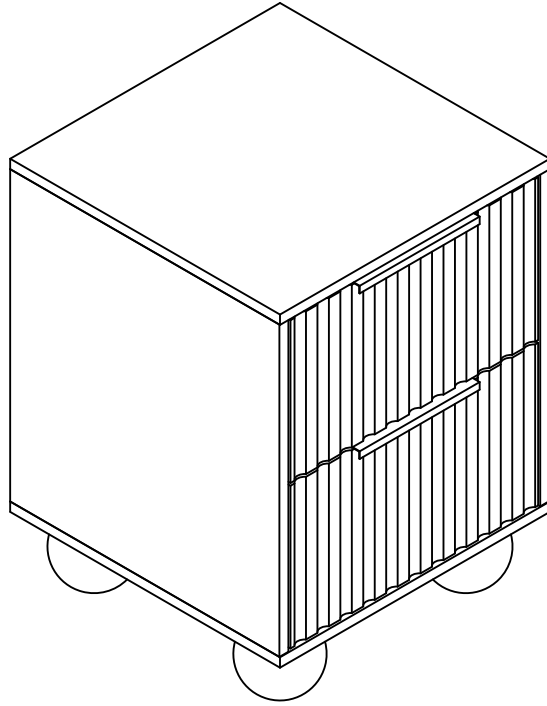


# ASSEMBLY TIPS



## **!** WARNING :

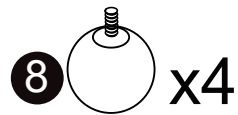
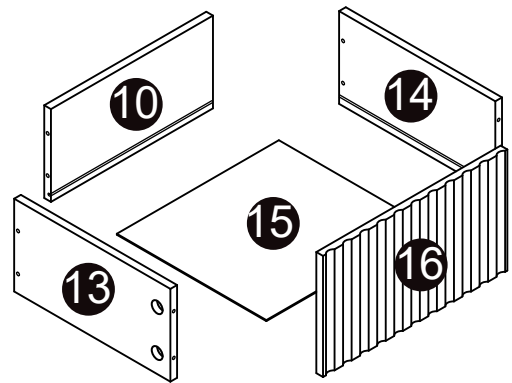
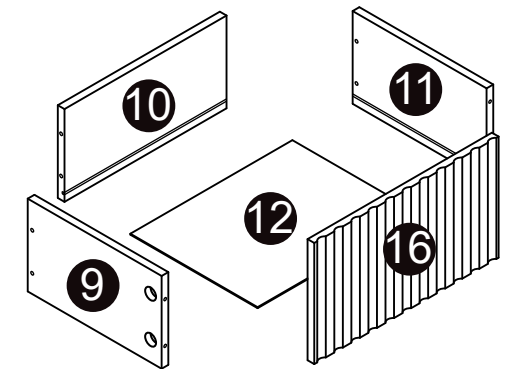
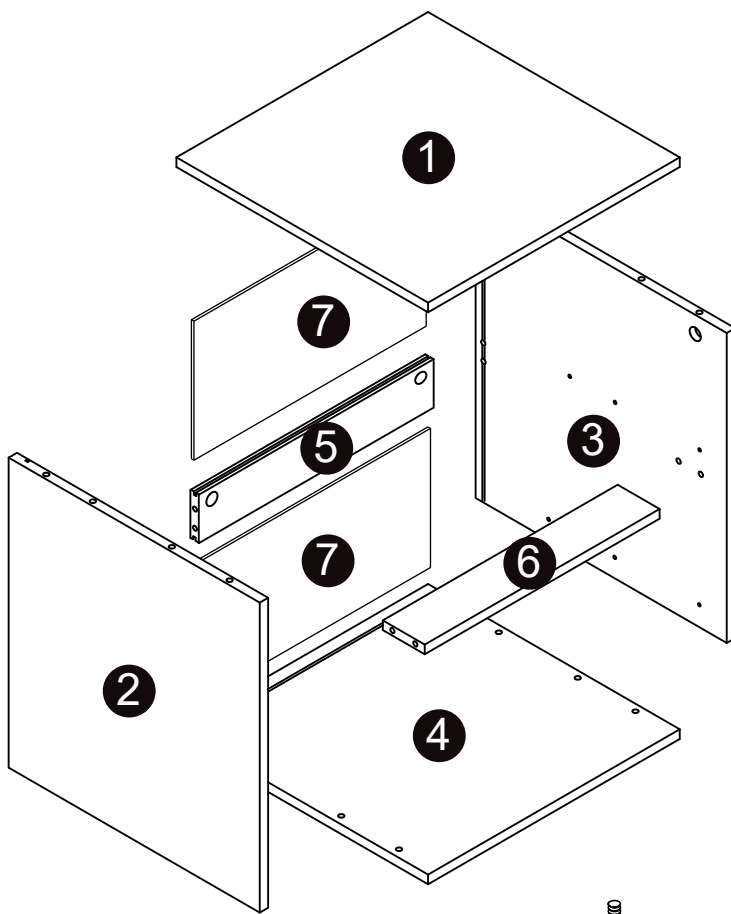
- Do not allow children to climb on unit
- Serious or fatal crushing injuries can occur from furniture tip-over. To prevent this furniture from tipping over, it must be permanently fixed to the wall. Fixing devices for the wall are not included since different wall materials require different types of fixing devices. Use fixing devices suitable for the walls in your home. For advice on suitable fixing systems, contact your local specialized dealer
- Avoid sharp objects or corrosive chemicals to prevent damage to the product
- During assembly, keep parts and packaging materials away from children and pets as there could be potential injury and choking hazards

## **Caution:**

1. This product is designed for home use and not intended for commercial use.
2. This product contains small components. Please ensure that they are kept away from small children.
3. Be careful when using power tools to assemble your furniture. Power tools may strip or damage the parts.

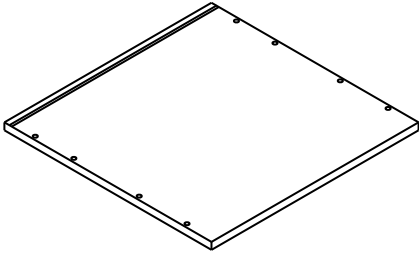
# IDENTIFY PARTS

One unit per box



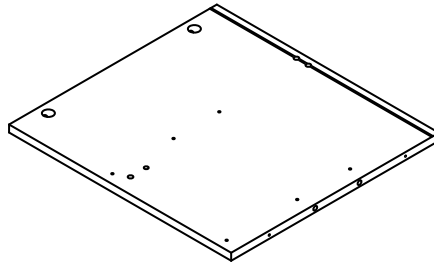
# COMPONENTS

1



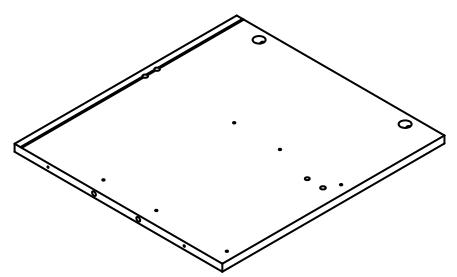
Top Panel x1

2



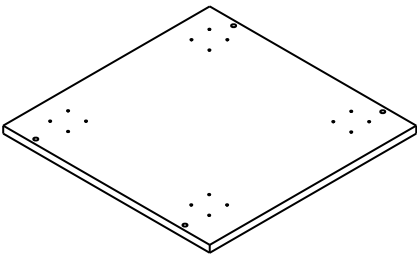
Left Side Panel x1

3



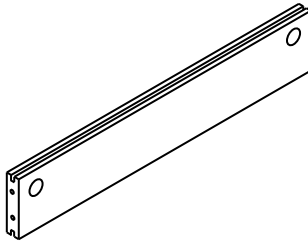
Right Side Panel x1

4



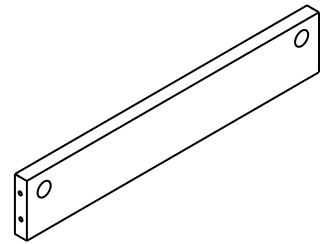
Bottom Panel x1

5



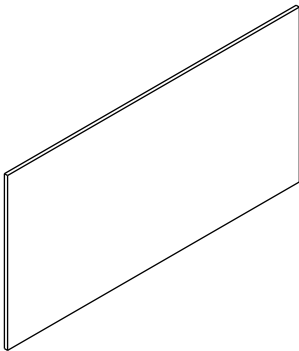
Wood Strip x1

6



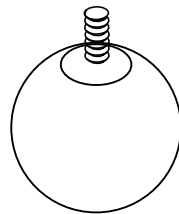
Connecting Slat x1

7



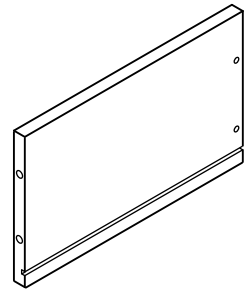
Back Panel x2

8



Leg x4

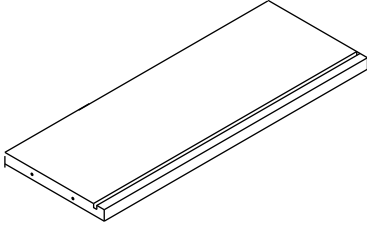
9



Upper Drawer Left Panel x1

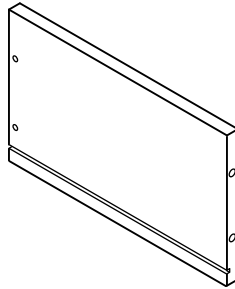
# COMPONENTS

10



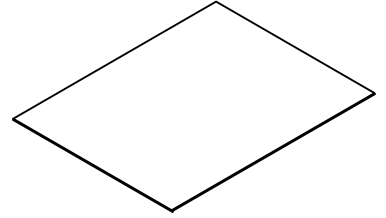
Drawer Back Panel x2

11



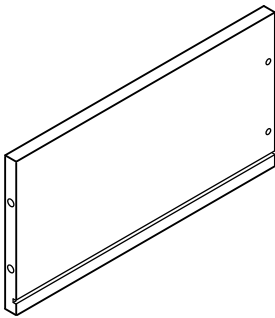
Upper Drawer Right Panel x1

12



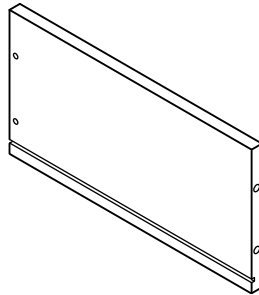
Upper Drawer Bottom Panel x1

13



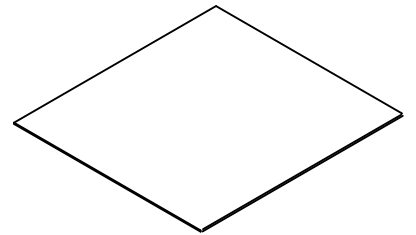
Lower Drawer Left Panel x1

14



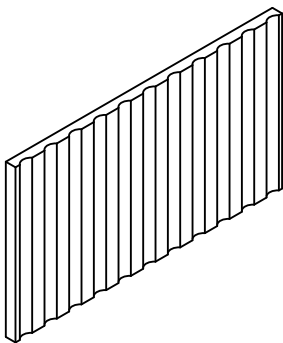
Lower Drawer Right Panel x1

15



Lower Drawer Bottom Panel x1

16

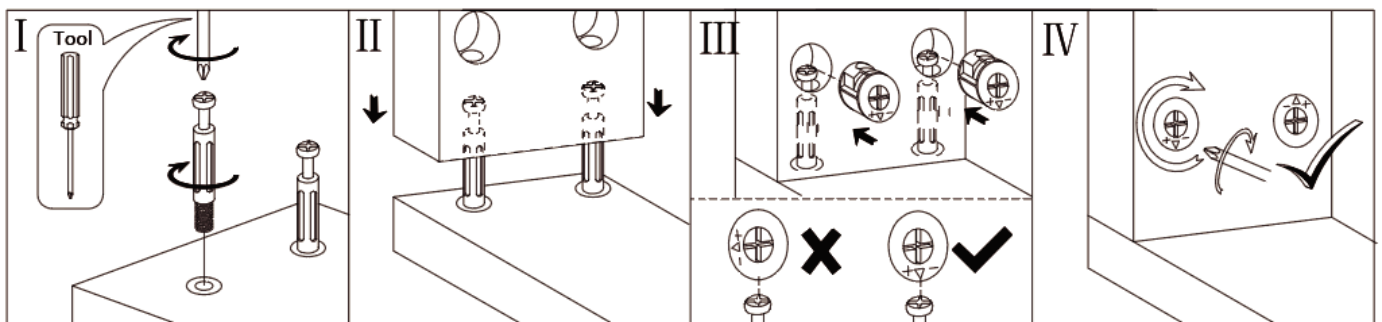


Drawer Front Panel x2

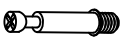





# COMPONENTS

<p><b>A</b></p>  <p>+1(spare)</p> <p>Φ6x35mm Cam Bolt x16</p>	<p><b>B</b></p>  <p>+1(spare)</p> <p>Φ15x10mm Come Lock x16</p>	<p><b>C</b></p>  <p>+1(spare)</p> <p>Φ6x30mm Wood Dowel x12</p>	<p><b>D</b></p>  <p>+1(spare)</p> <p>Φ4x35mm Screw x13</p>
<p><b>E</b></p>  <p>+2(spare)</p> <p>Φ3.5x12mm Screw x28</p>	<p><b>F</b></p>  <p>F-1 F-2</p> <p>3x14mm Back Panel Wedge &amp; Screw x4</p>	<p><b>G</b></p>  <p>48x48mm Metal Plate x4</p>	<p><b>H</b></p>  <p>200x30mm Metal Handle x2</p>
<p><b>I</b></p>  <p>+1(spare)</p> <p>Φ4x12mm Cam Bolt x17</p>	<p><b>J</b></p>  <p>Φ6x30mm Anchor x1</p>	<p><b>K</b></p>  <p>Anti-tip Strap x1</p>	<p><b>L</b></p>  <p>Foot Pad x4</p>
<p><b>CL-1</b></p>  <p>L300mm Drawer Rail x1</p>	<p><b>CR-1</b></p>  <p>L300mm Drawer Rail x1</p>	<p><b>DL-1</b></p>  <p>L300mm Drawer Rail x1</p>	<p><b>DR-1</b></p>  <p>L300mm Drawer Rail x1</p>
<p><b>CL-2</b></p>  <p>L350mm Drawer Rail x1</p>	<p><b>CR-2</b></p>  <p>L350mm Drawer Rail x1</p>	<p><b>DL-2</b></p>  <p>L350mm Drawer Rail x1</p>	<p><b>DR-2</b></p>  <p>L350mm Drawer Rail x1</p>

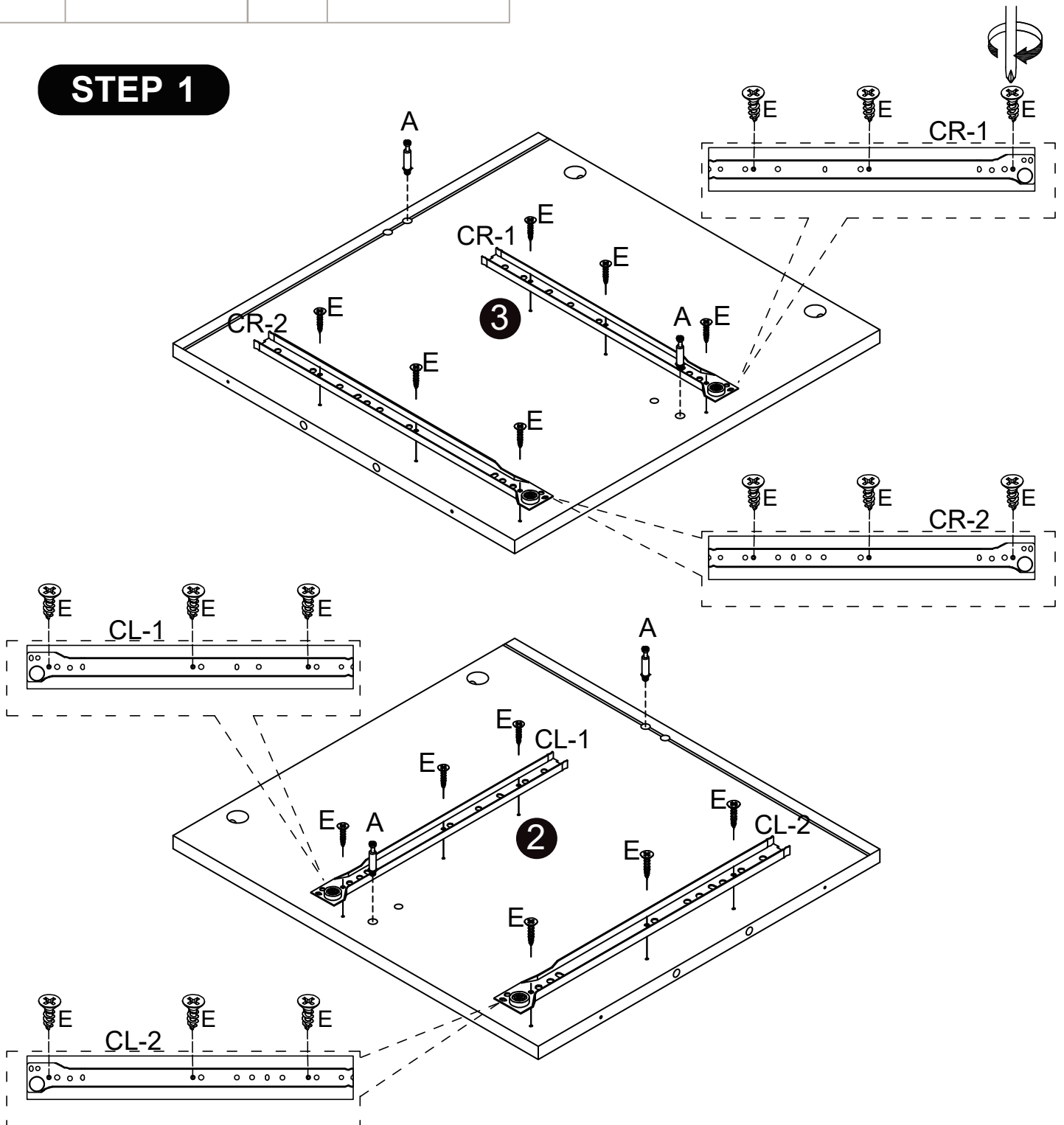
## "A & B" Hardware installation example



# ASSEMBLY STEPS

A x 4		E x 12		CR-1		CR-2	
CL-1		CL-2					

## STEP 1



# ASSEMBLY STEPS

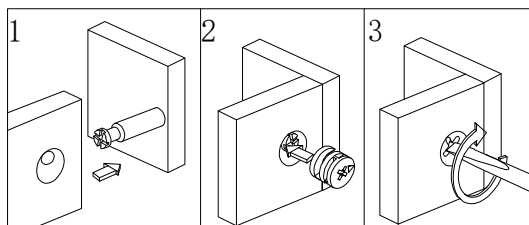
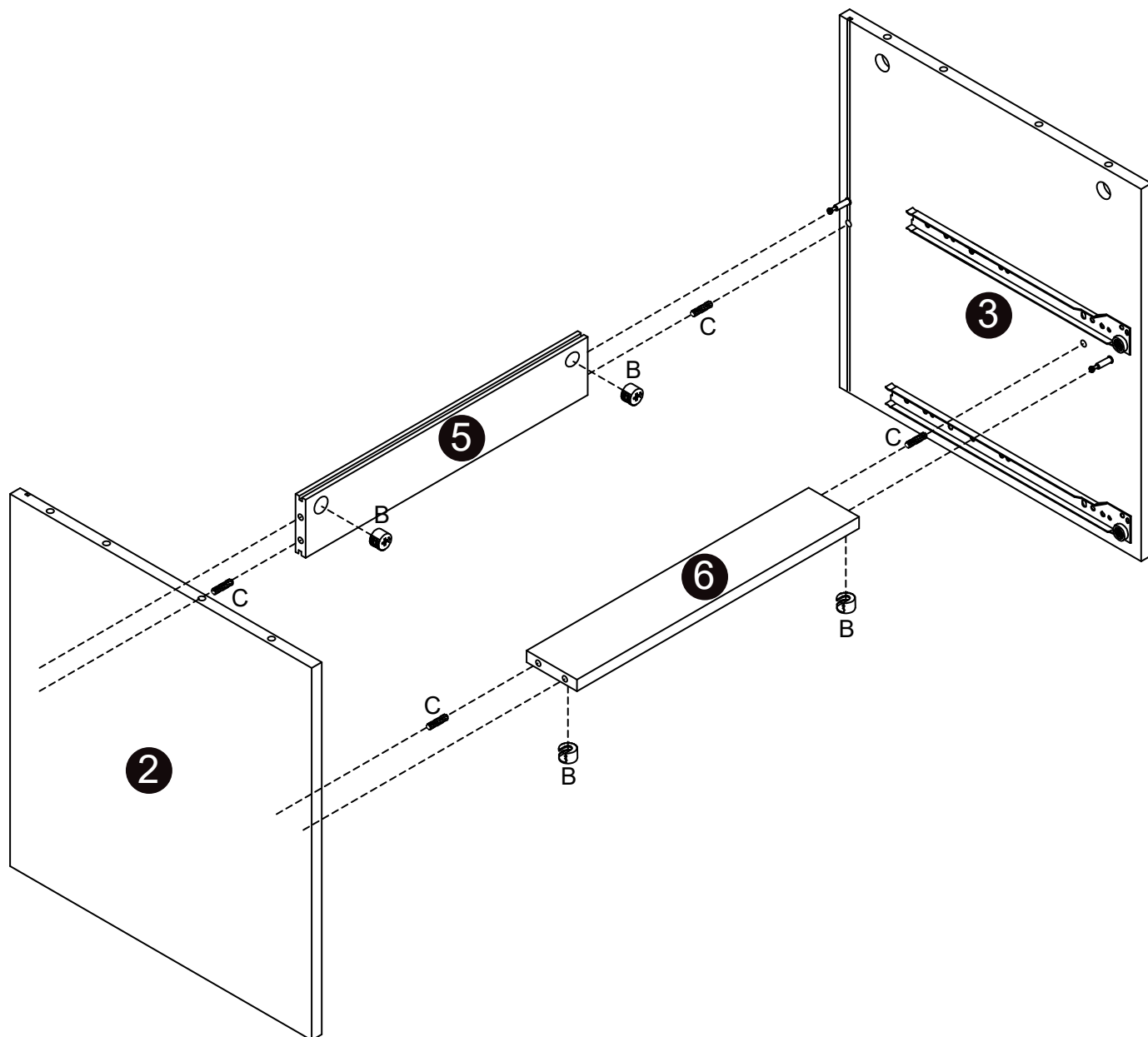
B x 4



C x 4

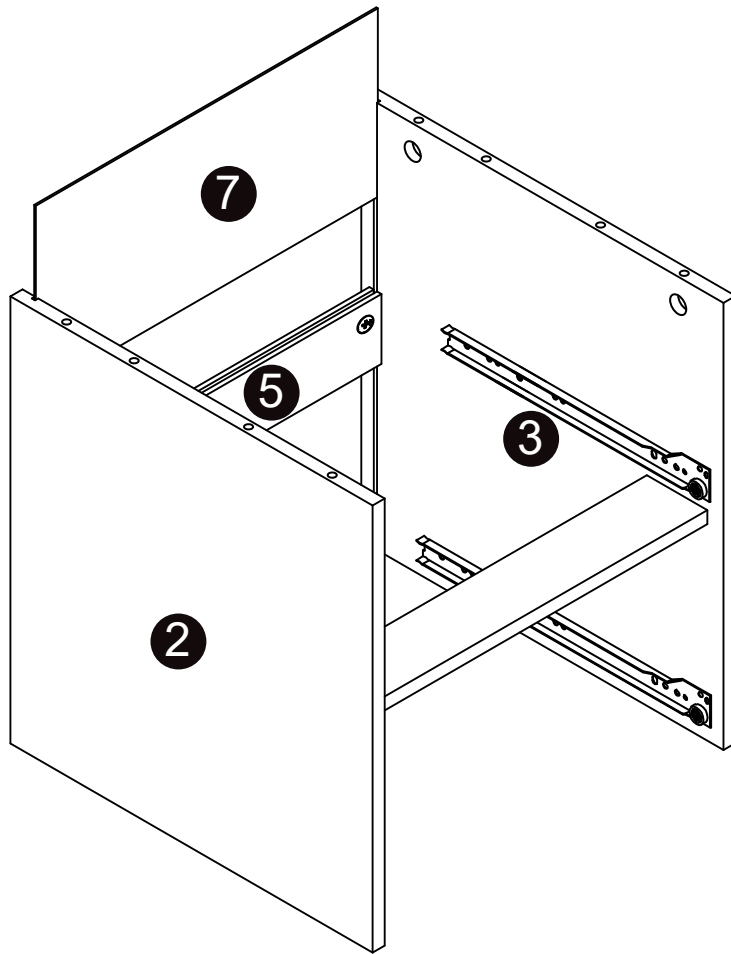


## STEP 2



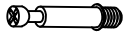
# ASSEMBLY STEPS

## STEP 3



# ASSEMBLY STEPS

A x 4



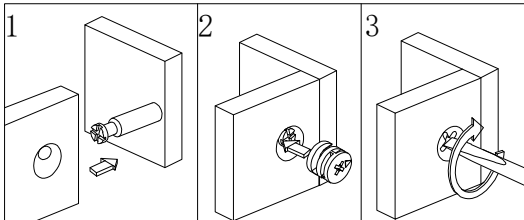
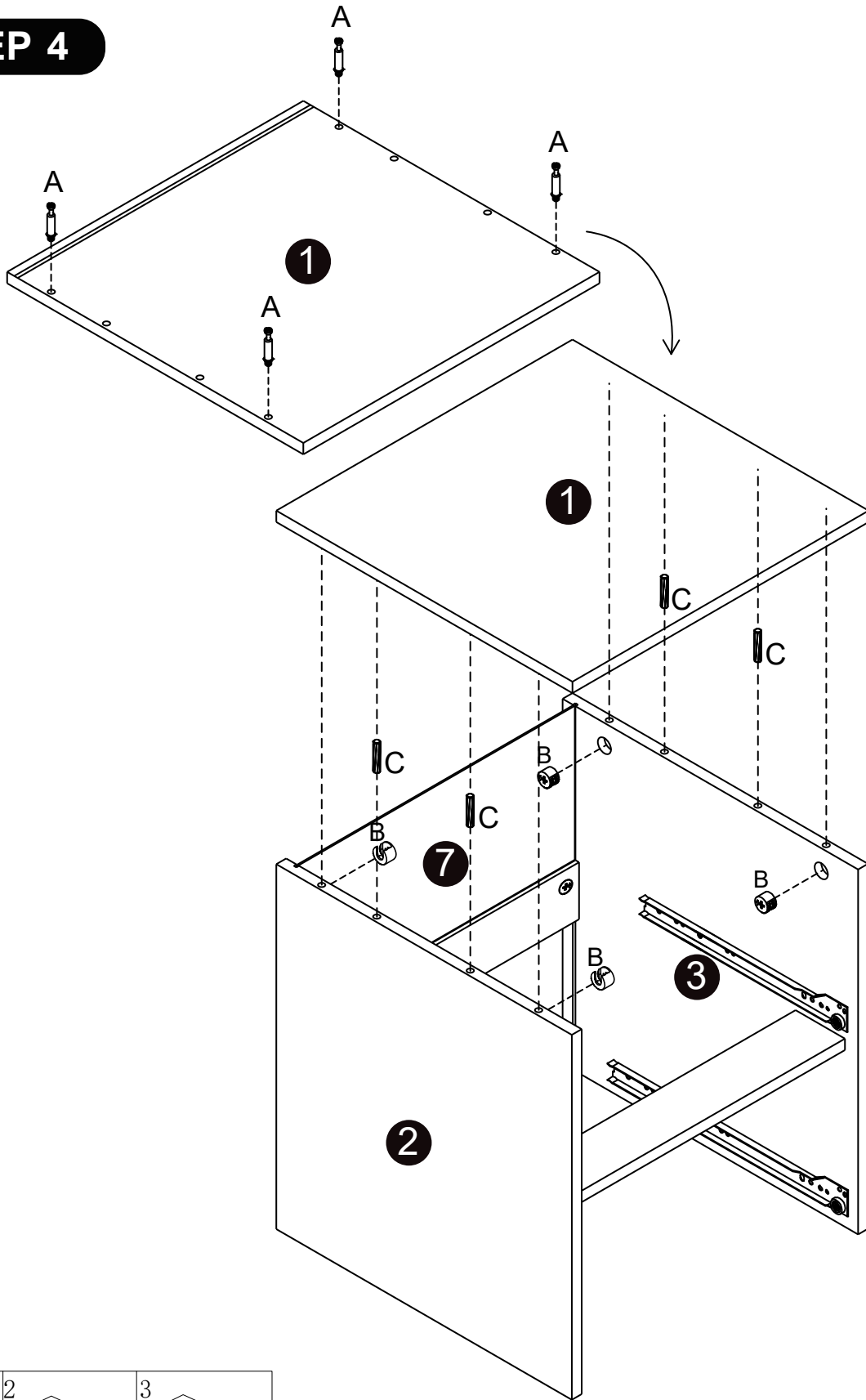
B x 4



C x 4



## STEP 4

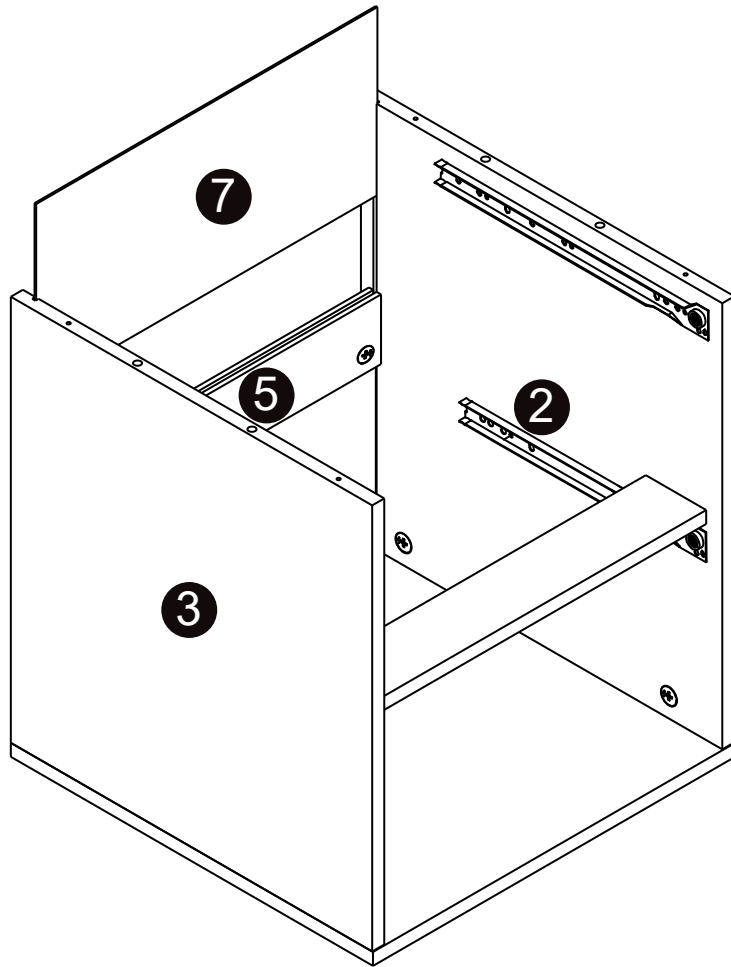


# ASSEMBLY STEPS

## STEP 5

### Reminder:

From the step 4 to this one, the panel has been flipped.  
Please ensure the correct side is now facing the floor!



# ASSEMBLY STEPS

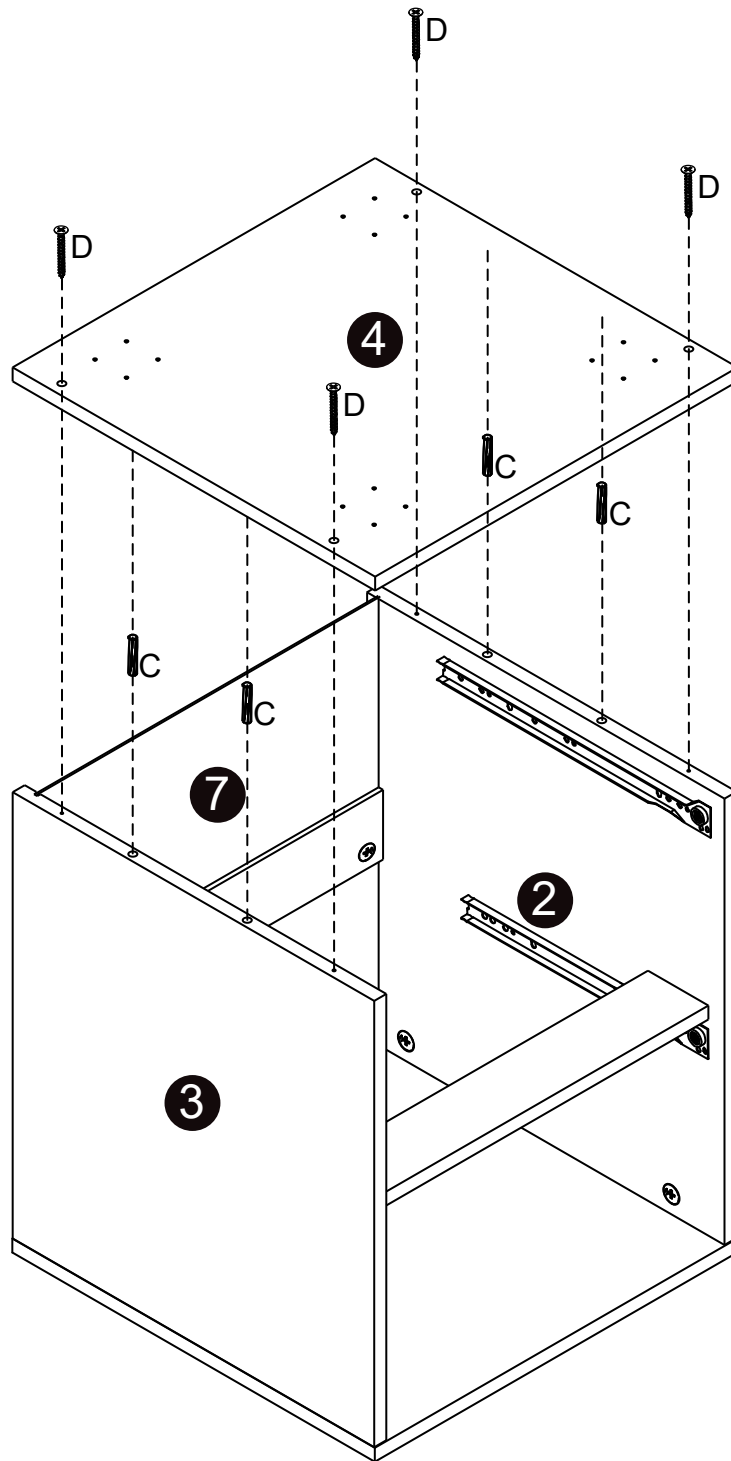
C x 4



D x 4



## STEP 6



# ASSEMBLY STEPS

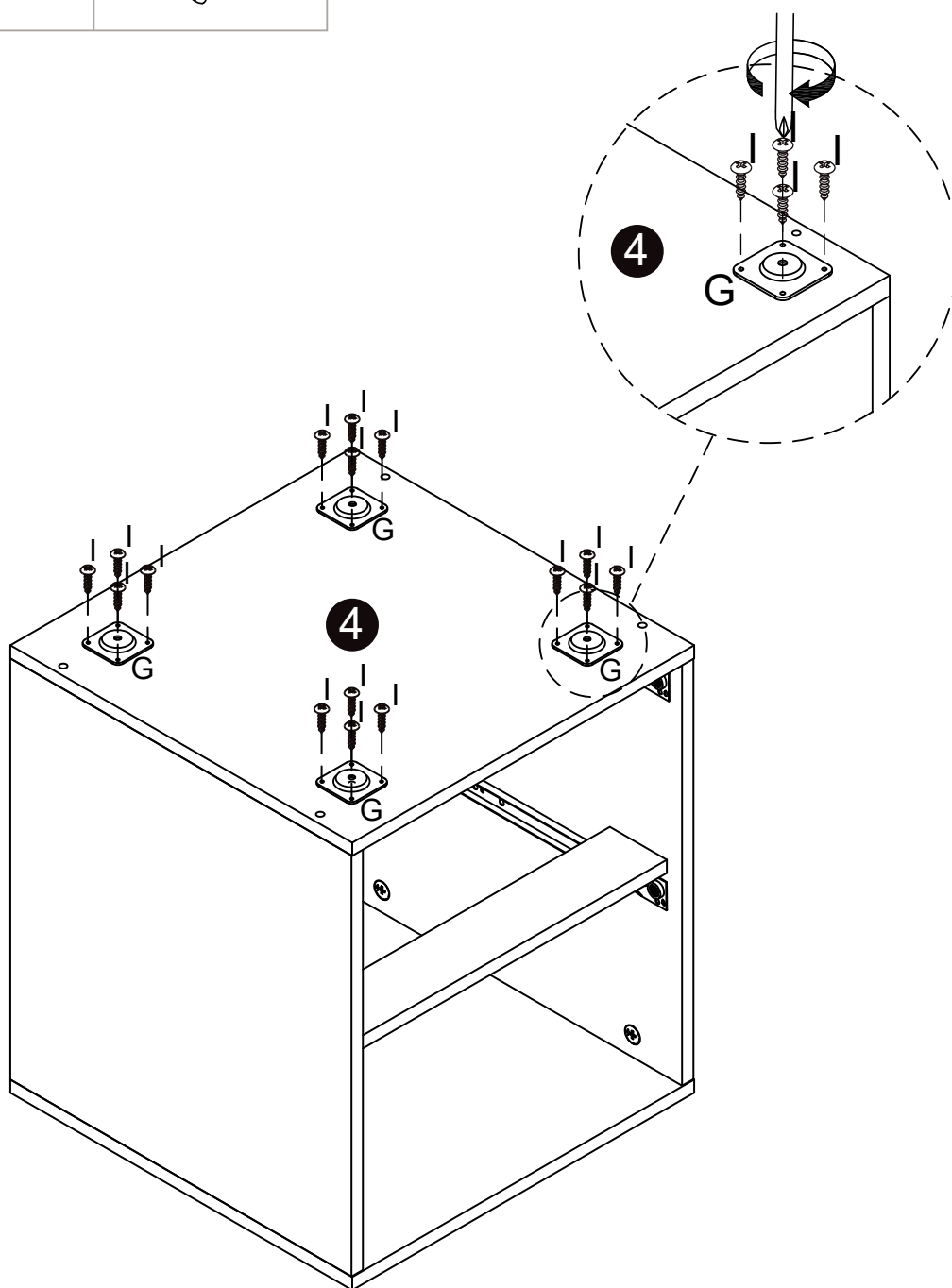
G x 4



I x 16



## STEP 7

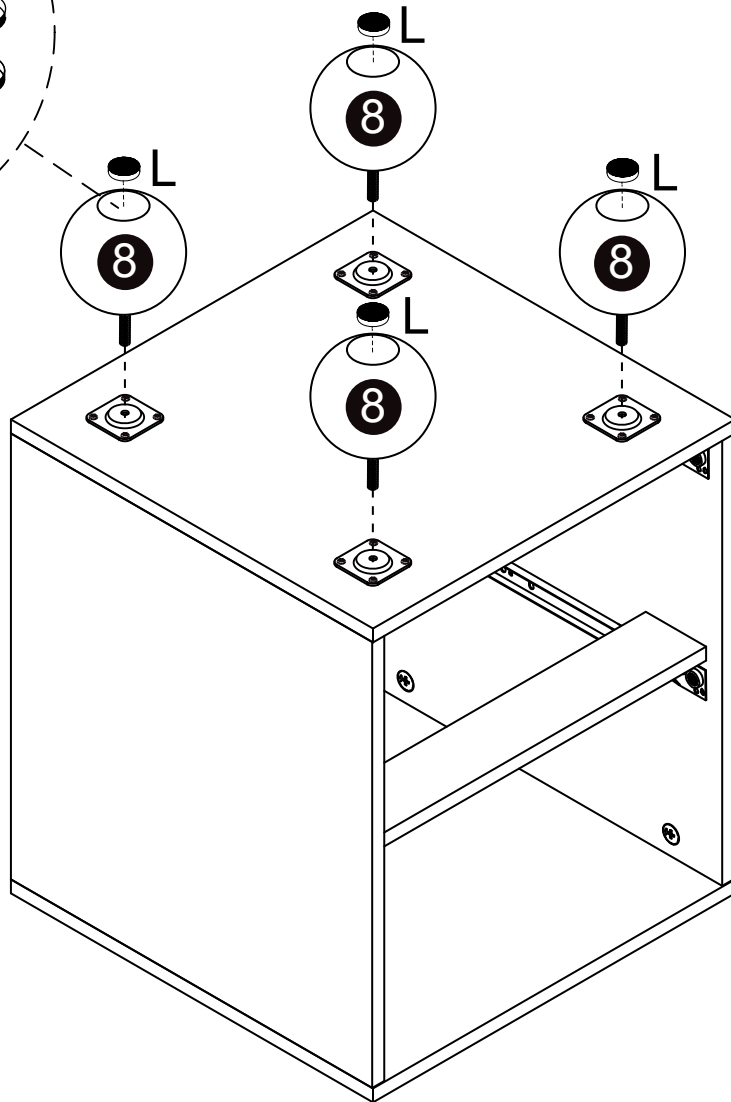
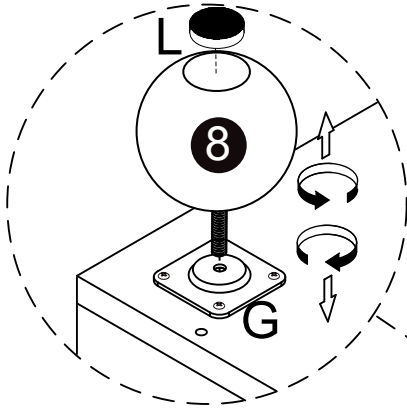


# ASSEMBLY STEPS

L x 4



## STEP 8

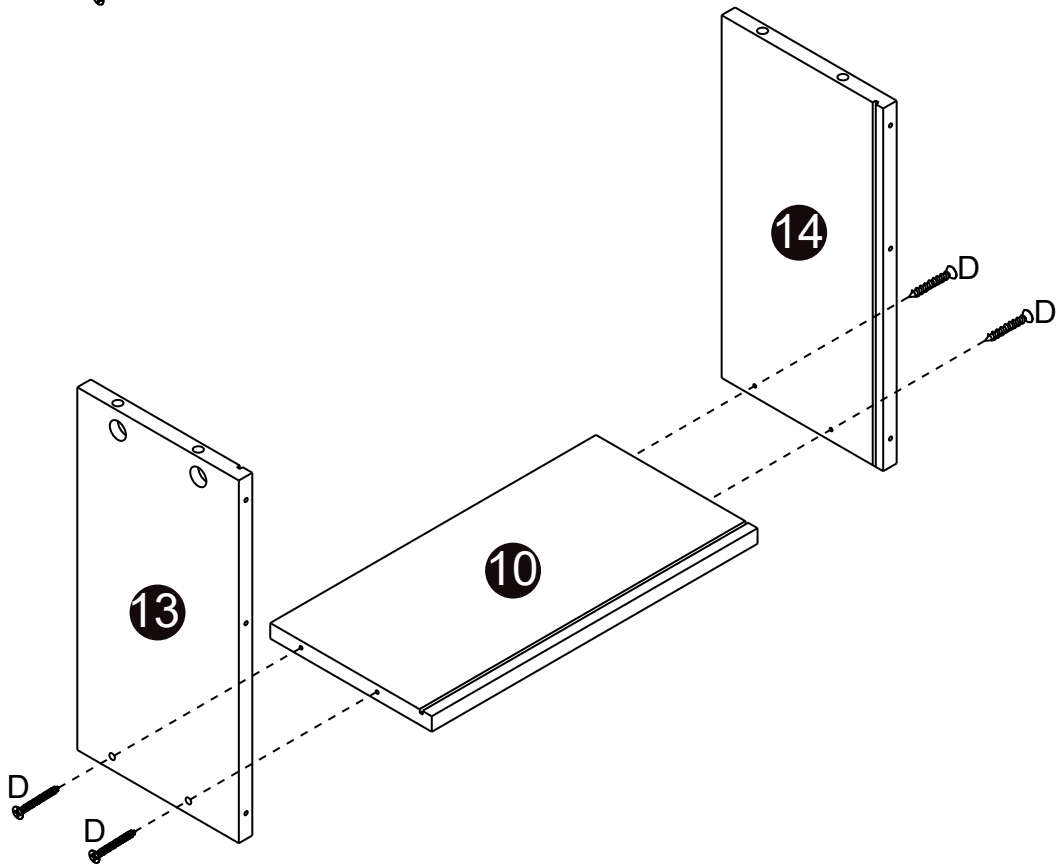
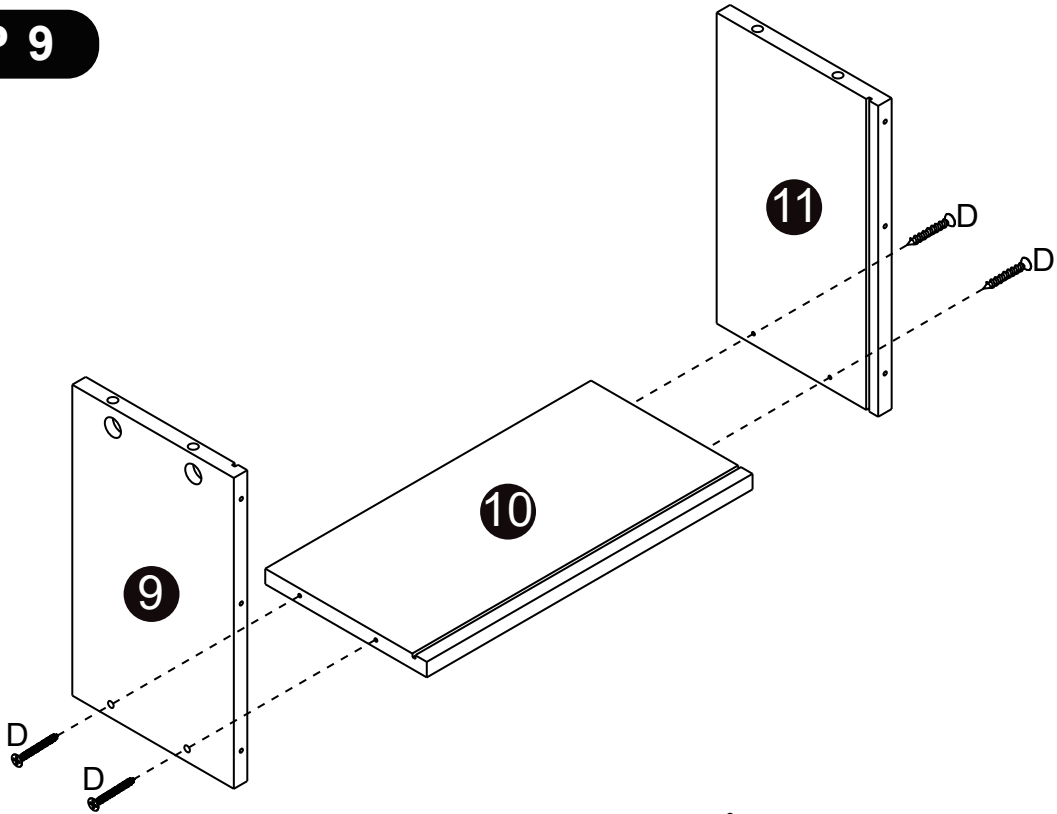


# ASSEMBLY STEPS

D x 8

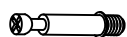


## STEP 9



# ASSEMBLY STEPS

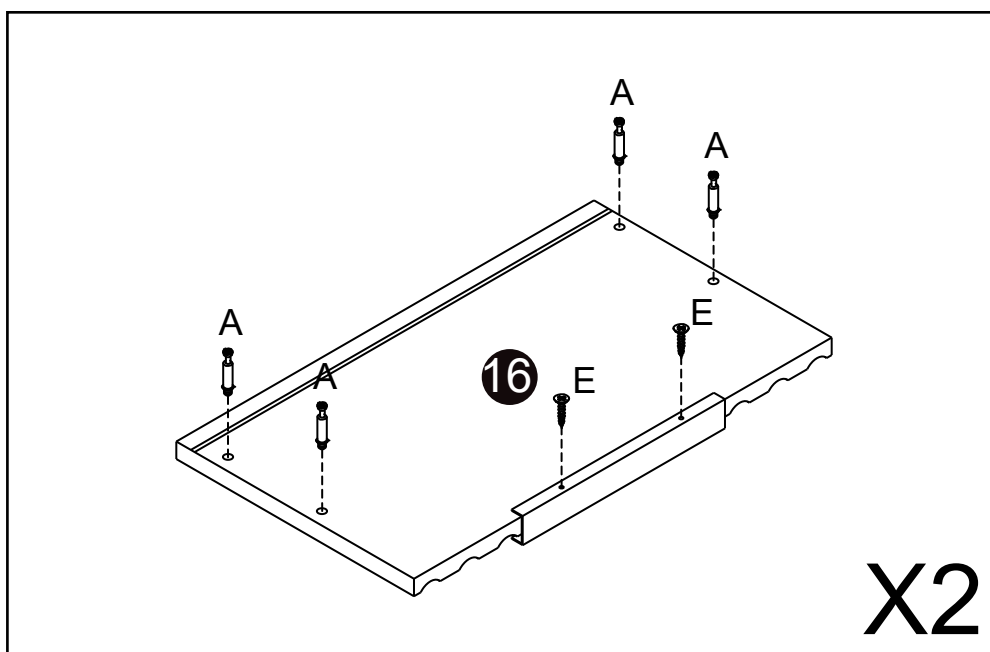
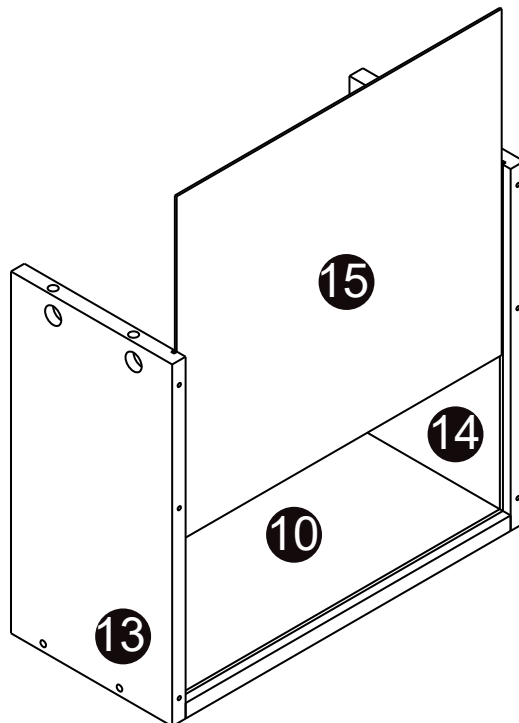
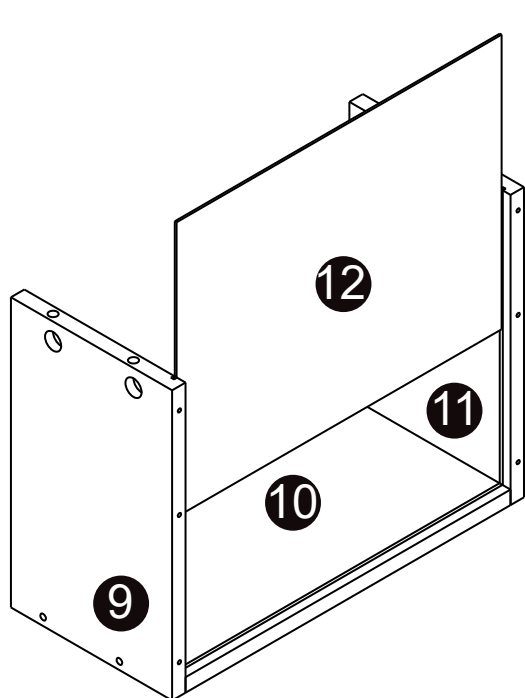
A x 8



E x 4



## STEP 10

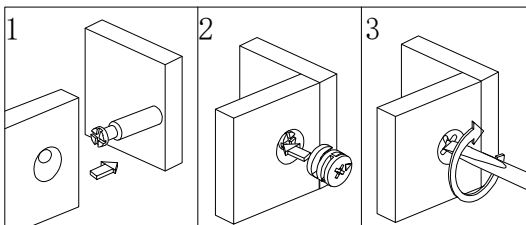
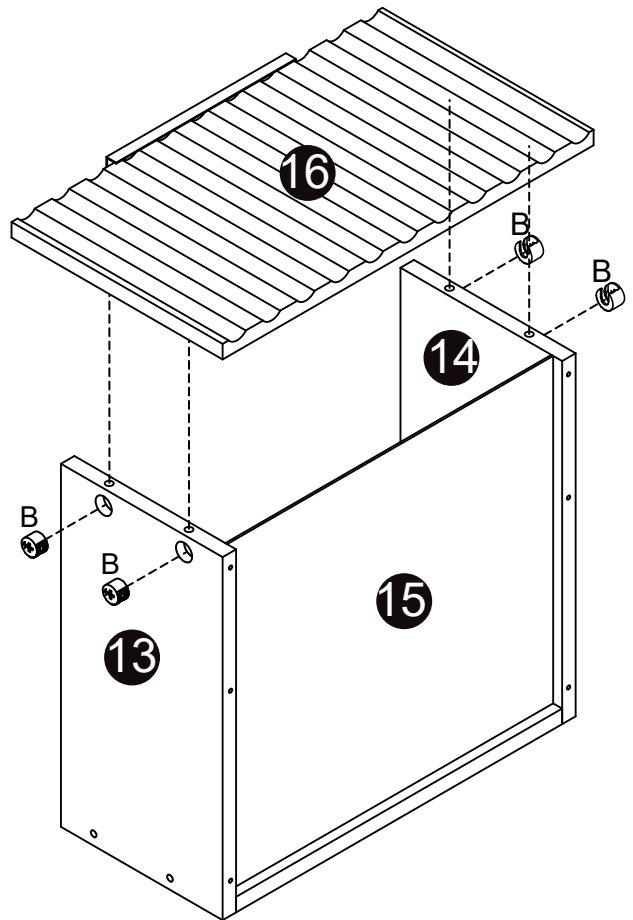
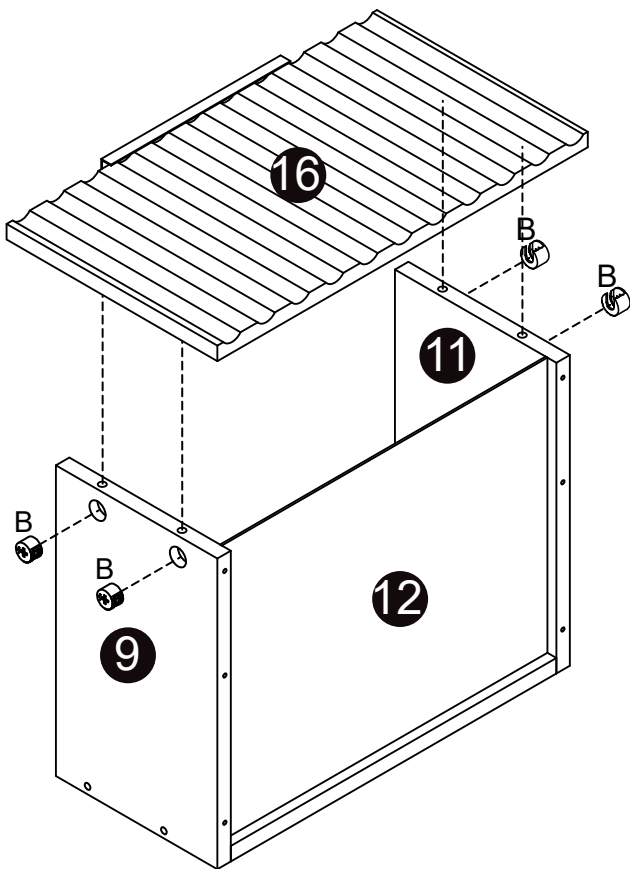


# ASSEMBLY STEPS

B x 8



## STEP 11





# ASSEMBLY STEPS

F x 4



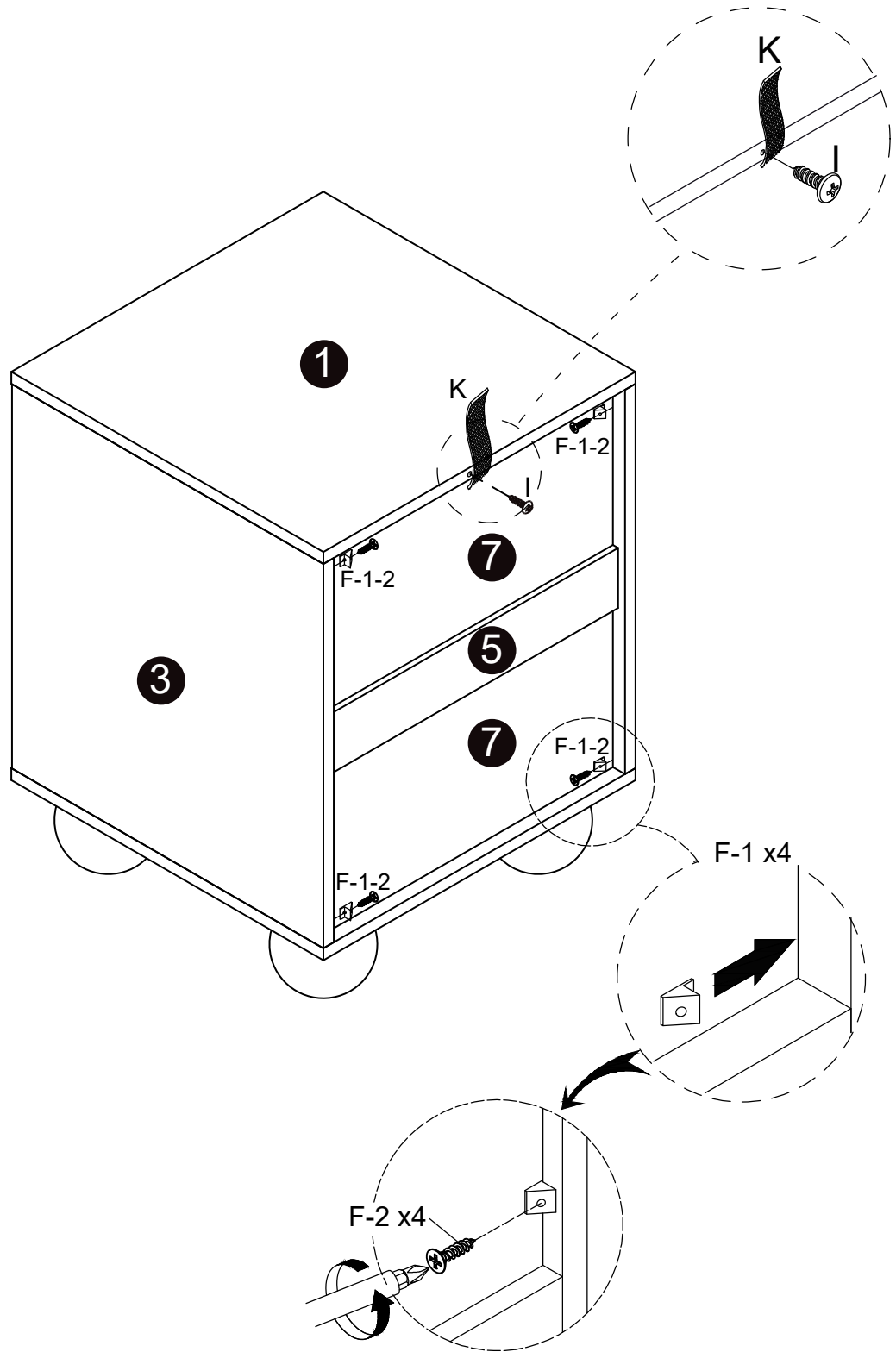
I x 1



K x 1

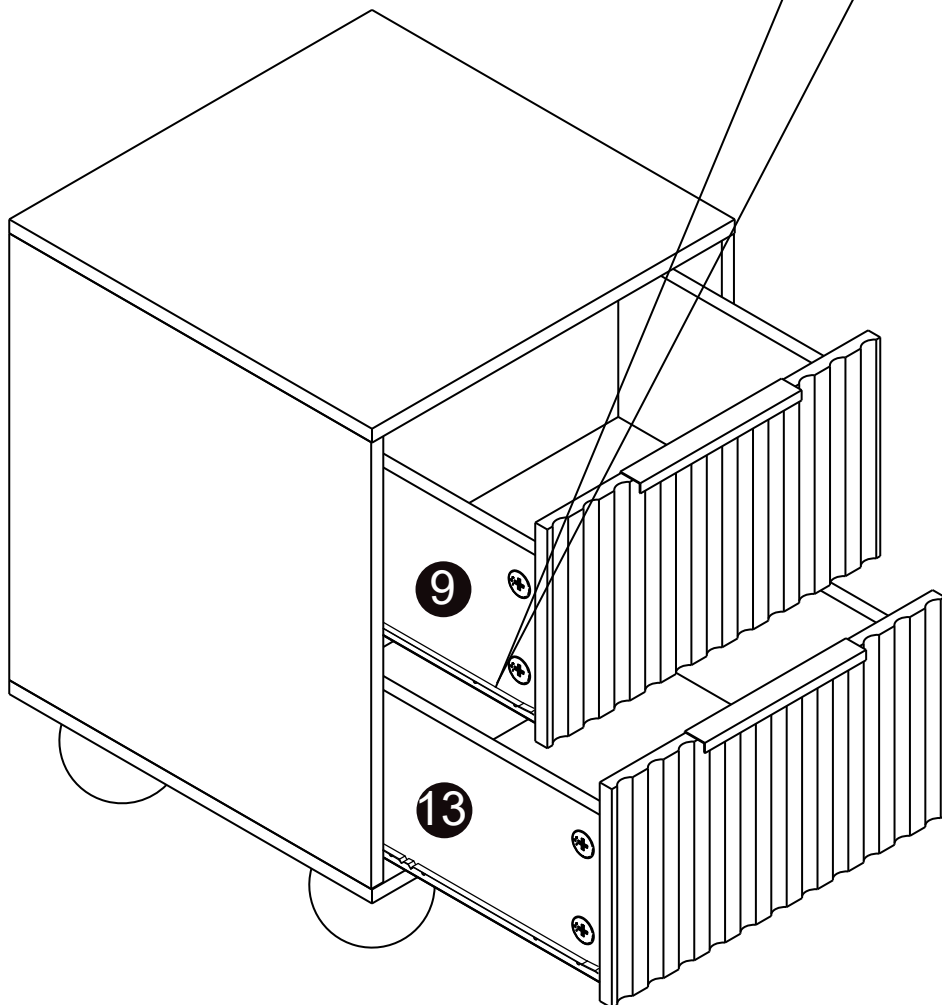
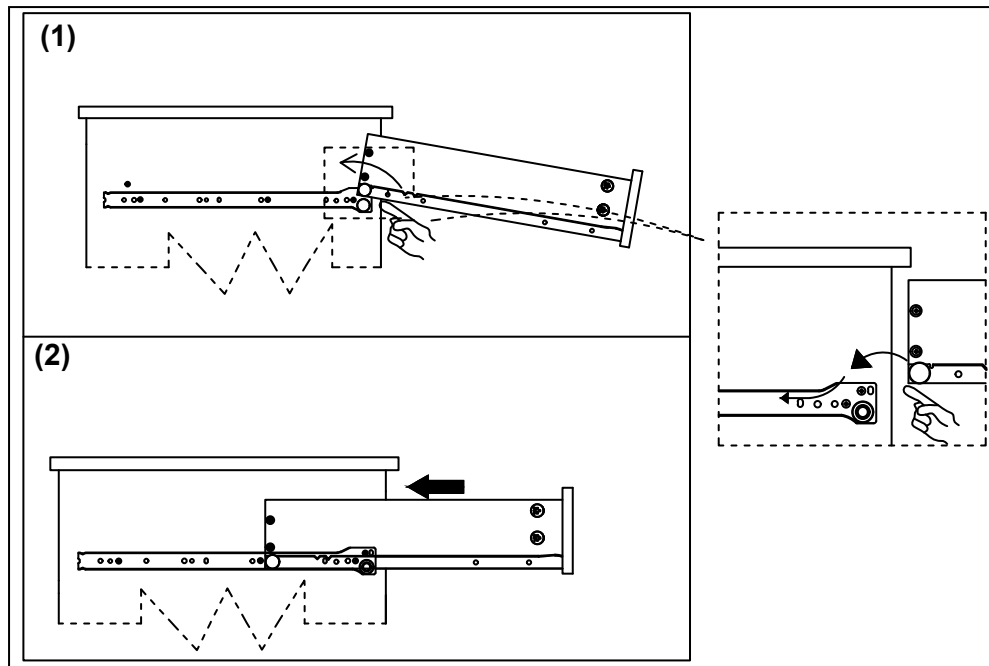


## STEP 13



# ASSEMBLY STEPS

## STEP 14



# ASSEMBLY STEPS

J x 1



D x 1



## STEP 15

