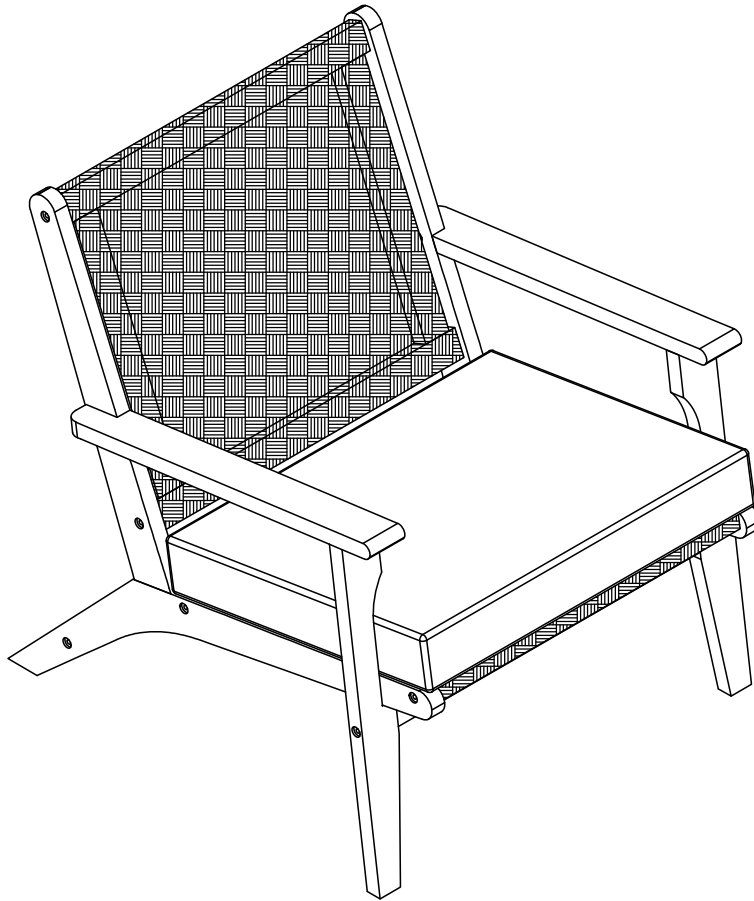


Outdoor Deck Chair

ASSEMBLY INSTRUCTIONS



60 min. assembly

2 people


*The estimated assembly time may vary depending on the individual.

Hey, there

Now is assembly time!

Deeeeeeep breathe.... and again....
Tools ready,
Easy peasy!

Estimated

 **60** min. assembly
2 people

Tools Required

- Hex key (included)

***important:** Cautious when you use power tools*

Thank you for purchasing this LuxenHome product. This product has been manufactured with the highest standards of safety and quality.

PLEASE READ ALL INSTRUCTIONS CAREFULLY BEFORE ASSEMBLY.

Un pack all parts from the packaging inside the carton to ensure there are no missing or damaged parts. Lay out all the parts on a clean, flat, and soft surface to prevent scratches. Refer to the steps provided as assembling guide.

Do not attempt to assemble or use the product if any parts are missing or damaged.

REMINDERS

SAFE USAGE IS KEY

Your well-being is our top priority when you use our product. Please prioritize your safety by diligently following the assembly guidelines and inspecting the product carefully both when it arrives and before each use.

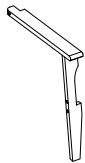
Please be aware that LuxenHome and Winsome House, Inc. cannot be held liable for any injuries or fatalities that occur due to not adhering to the provided instructions or misuse of the product.

DO NOT MODIFY

Our products undergo rigorous testing to ensure they meet established safety standards before being released for sale. Altering the product in any way can lead to serious safety concerns, for which LuxenHome cannot assume responsibility.

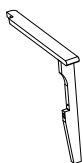
What's in the box

Parts



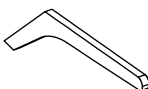
A X 1

Right side Panel



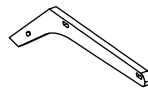
B X 1

Left side Panel



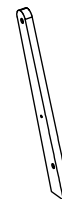
C X 1

Right Side Seat



D X 1

Left Side Seat



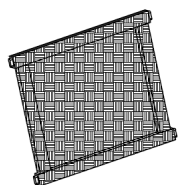
E X 1

Right Backrest Side



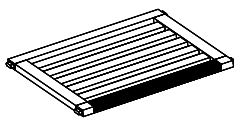
F X 1

Left Backrest Side



G X 1

Backrest Panel



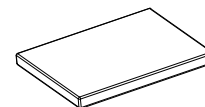
H X 1

Seat Panel



I X 2

Rail Bar



J X 1

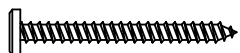
Cushion

Hardware & Accessory



1 X 10+1

M6 x 50mm



2 X 2+1

M6 x 90mm



3 X 5+1

M6 x 55mm



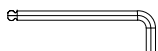
4 X 2+1

M6 x 90mm



5 X 2+1

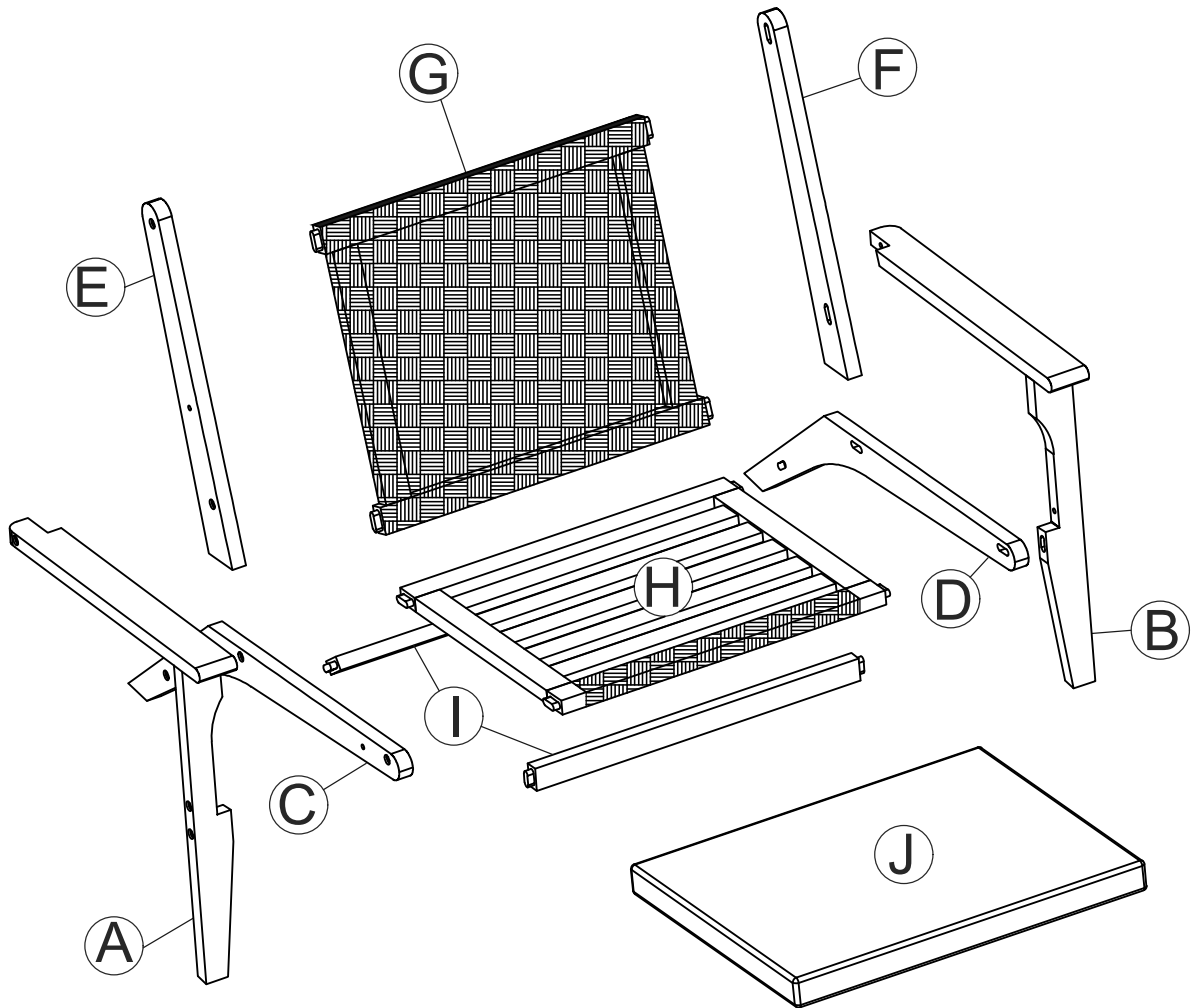
M6 x 13mm



6 X 1

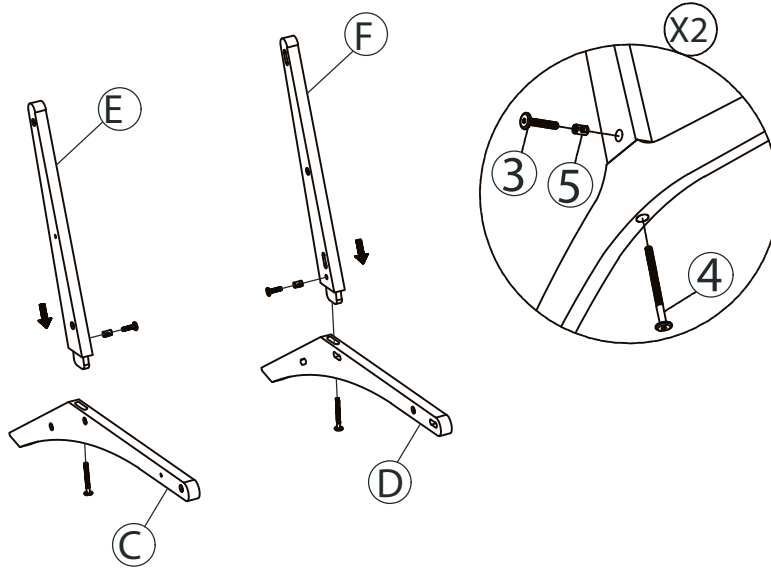
100 x 30 mm





Assembly



Step 1

Attach the part E to the part C using bolt (3) support for nut (5). Continue to insert the bolt (4) into parts F and D, using the hex key (6) to tighten as shown.

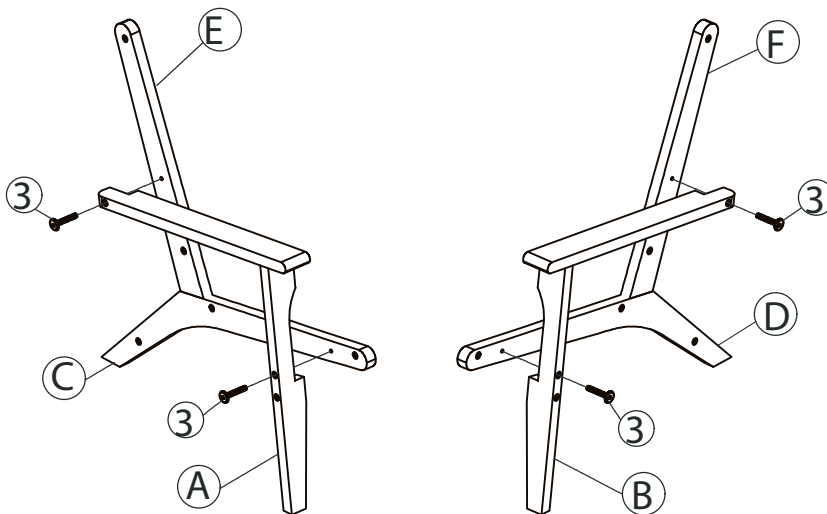



3x1

M6 x 55mm
4x2

M6 x 90mm
G5x2

M6 x 13 mm
G6x1

100 x 30 mm

NOTE: Hardware 3 is used as a tool to fix hardware 4&5, and should be reused in step 2

Step 2

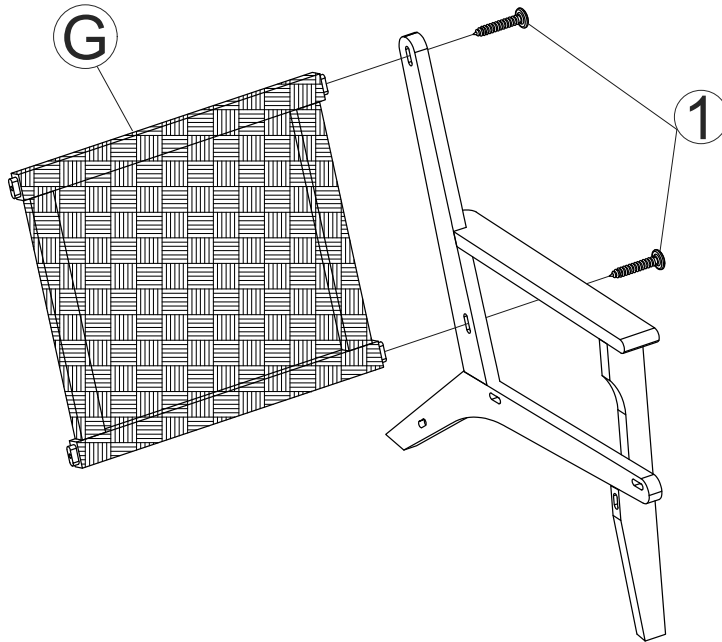
Attach the part A to the parts C,E using bolt (3) and tighten. Continue attach the part B to the parts D,F using bolt (3) and tighten as shown.

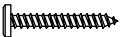


3x4

M6 x 55mm

Step 3

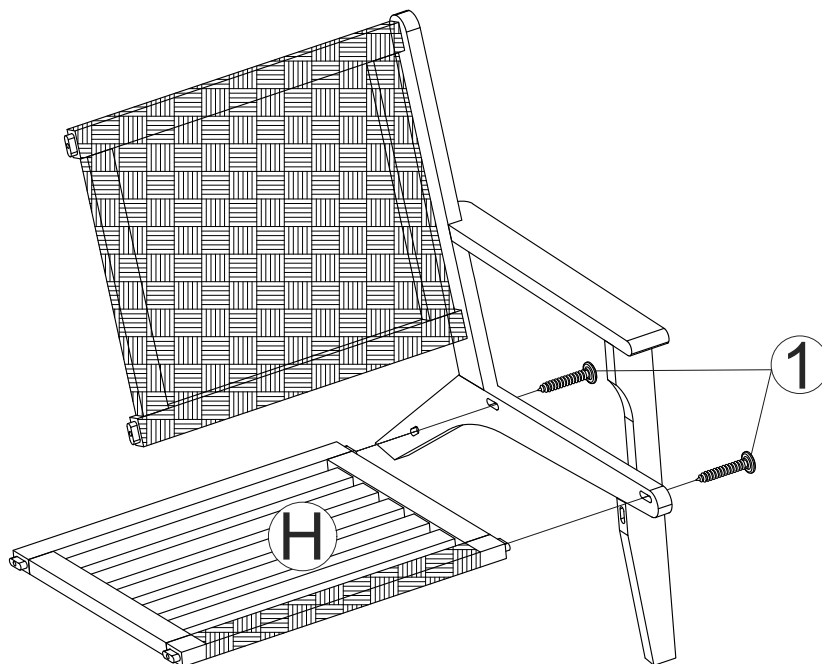
Attach the right armrest frame B,D,F to the part G using screw (1) as shown.

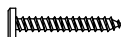


1x2

M6 x 50mm

Step 4

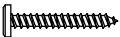
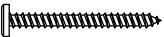
Attach the right armrest frame B,D,F,G to the part H using screw (1) as shown.

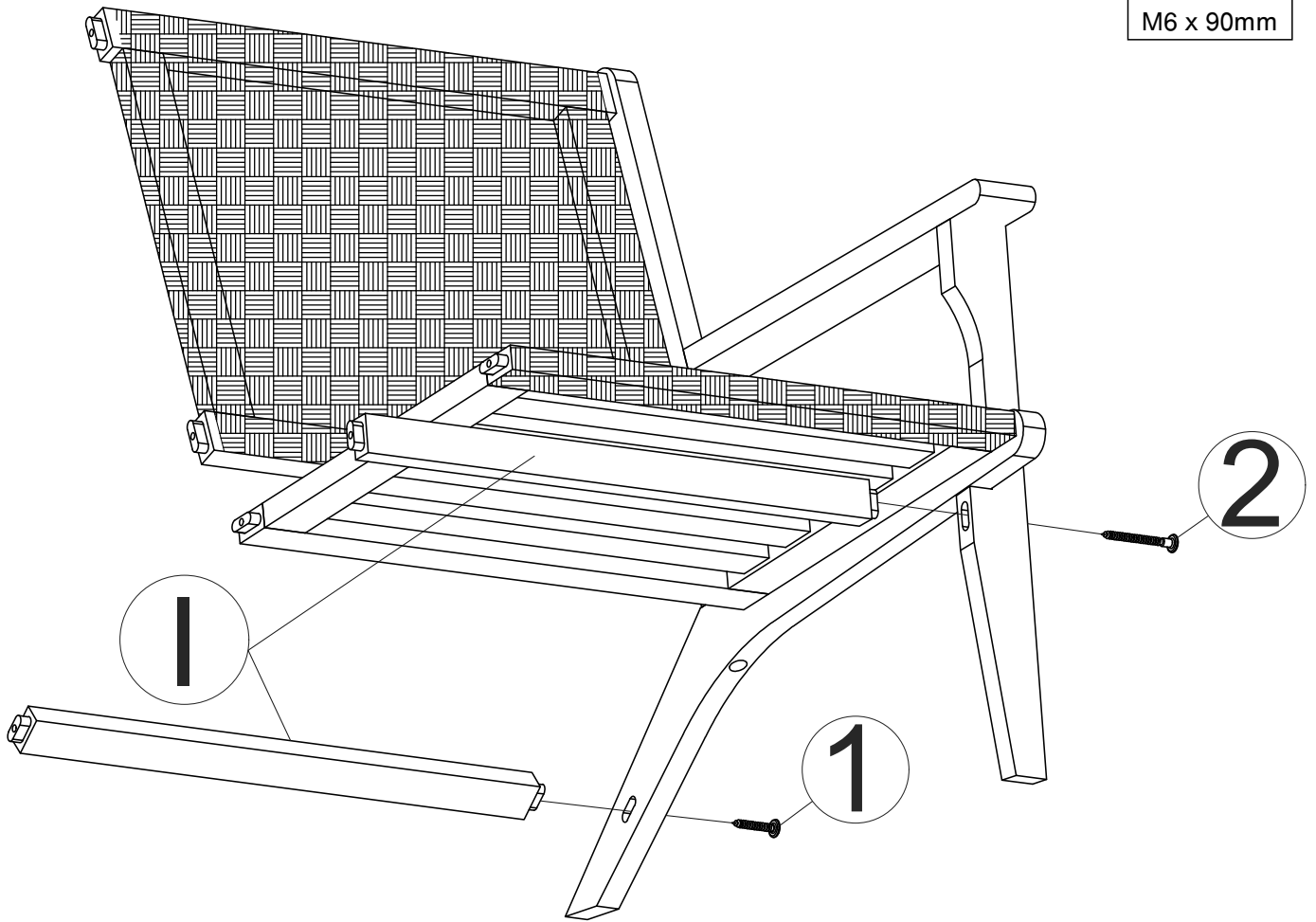


1x2

M6 x 50mm

Step 5

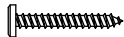
Attach the right armrest frame B,D,F,G,H to the part I using screw (1) and (2) as shown.

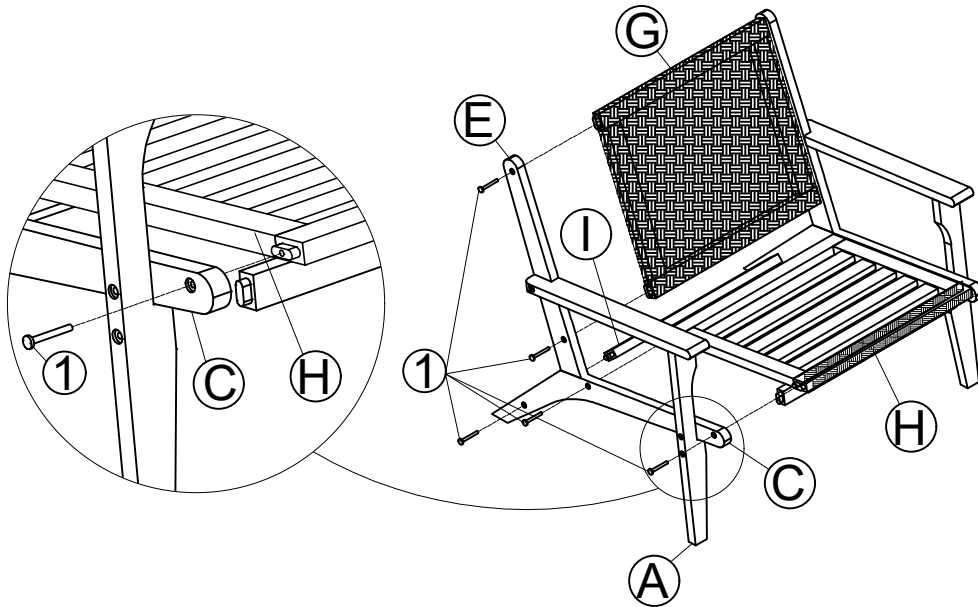
1x1

M6 x 50mm
2x1

M6 x 90mm



Step 6

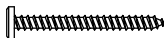
Attach the right backrest side E to the part G and the back rail bar (I), H to the part C using screw (1) as shown.

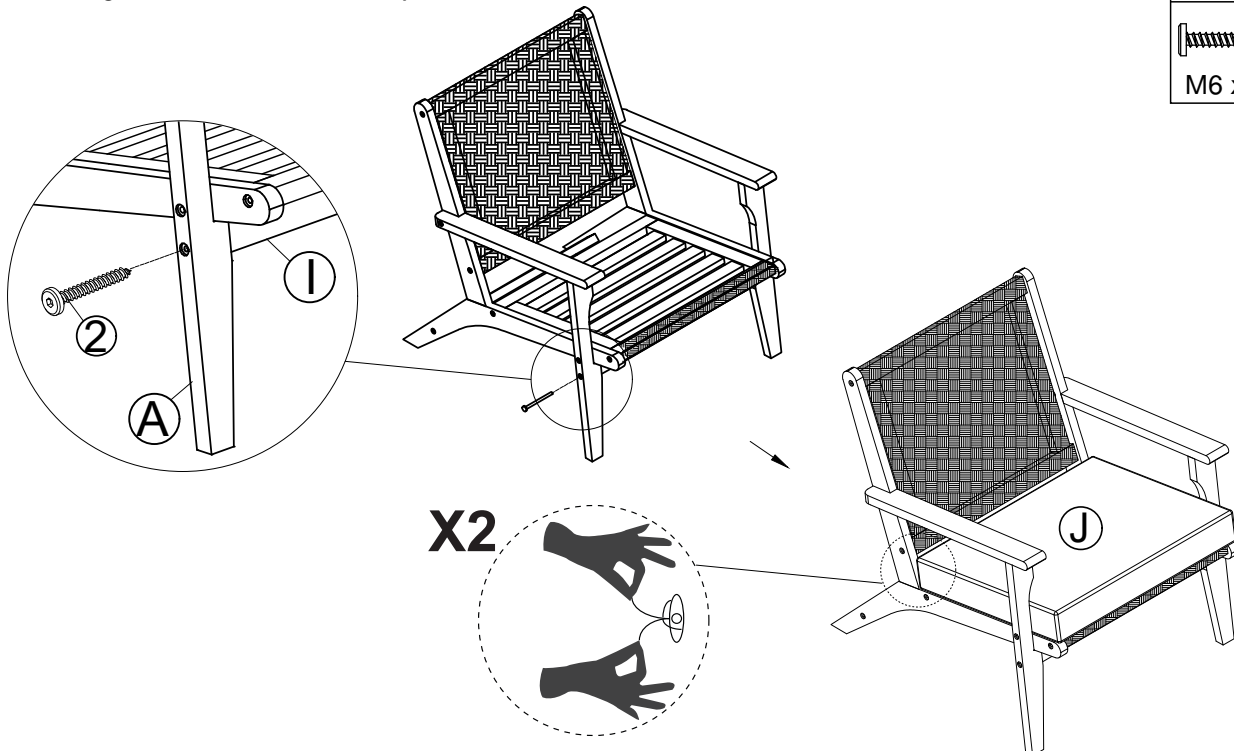
1x5

M6 x 50mm



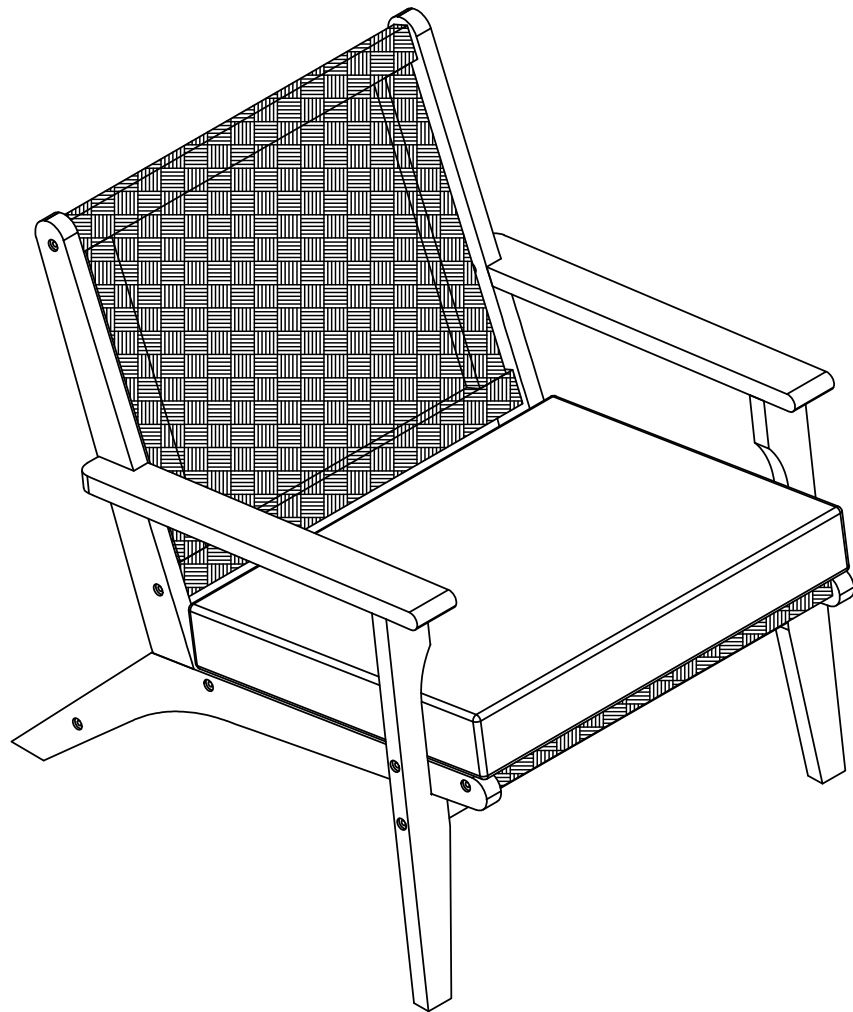
Step 7

Attach the front rail bar (I) to part A using screw (2) and tighten. Put the cushion part J on the seat frame.

2x1

M6 x 90mm



VOILA!
Now enjoy.



Warning

DO NOT stand or jump on the chair as this may damage the product and cause serious bodily injury.

Something not right?

We are always here to help.

We make mistakes like every human does.

Though we always strive to provide the best possible products at competitive prices and the best service in the industry, it's not possible to completely eliminate mistakes. If you experience any dissatisfaction, feel free to contact us immediately. Our in-house customer care team will respond ASAP.

Things to do to expedite the process

- Have your order# ready
- Take photos/videos to help us better identify the issues
- DO NOT throw away the packaging