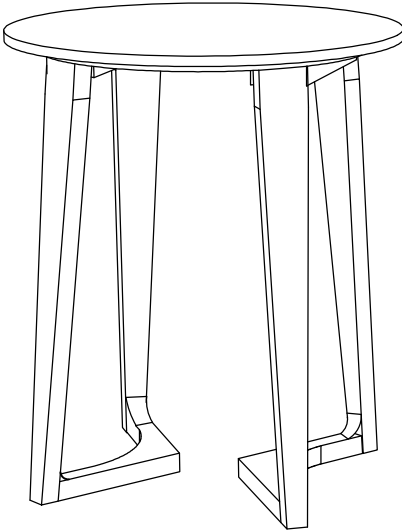


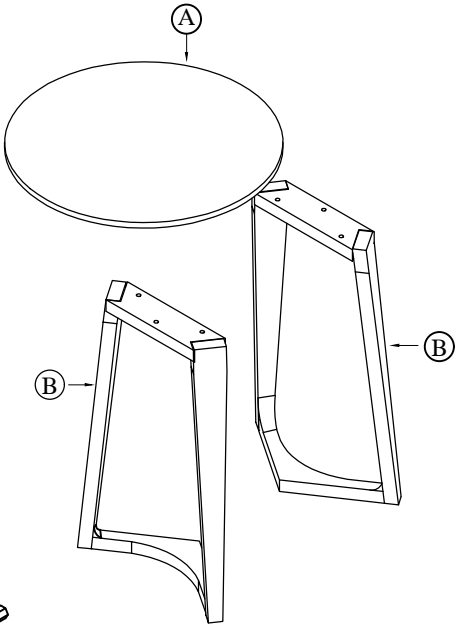
Assembly Instructions

ACCENT TABLE - BROWN

ACCENT TABLE - WHITE



ITEM	DESCRIPTION	QUANTITY
A	top	1
B	legs	2



hardware



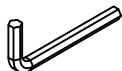
H1 x 6  
bolts M6 x 40mm



H2 x 6  
flat washers



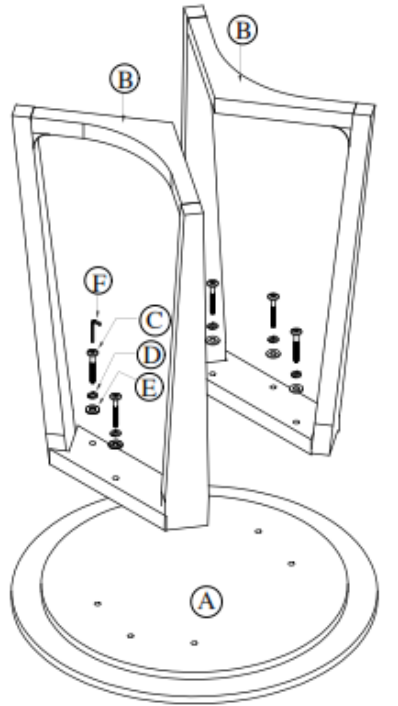
H3 x 6  
spring washer



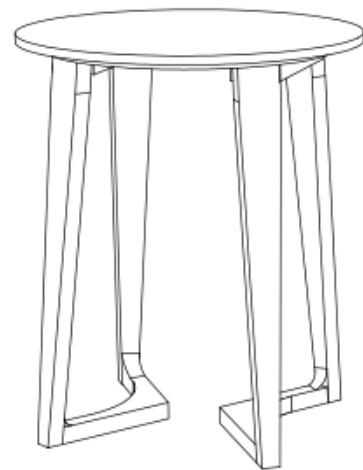
H3 x 1  
hex key #4

## step 1

Attach legs (B) to the top table (A), insert bolt (C), flat washer (E) and spring washer (D) to the pre-drilled holes and tighten the using the allen key (F).



Congratulation  
Assembly complete, your Accent Table is ready to use.



(\* ) Caution : DO NOT OVERTIGHTEN.

In any correspondence regarding this product, please include the complete identification number located on the underside of the product.

We hope this product will be a useful and decorative addition to your home for years to come.