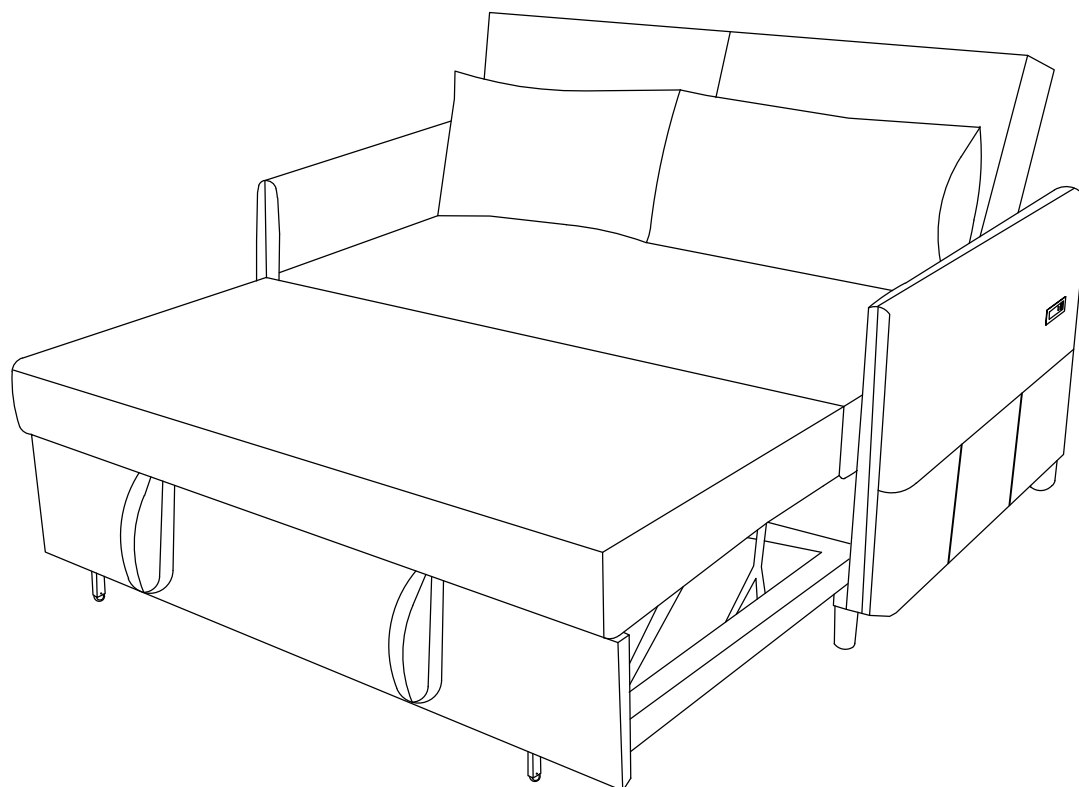
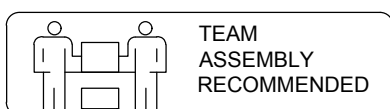


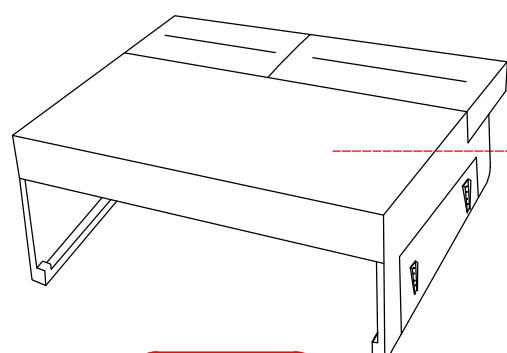
INSTRUCTION



SLEEPER SOFA

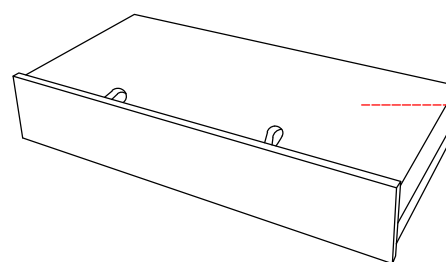


PARTS LIST



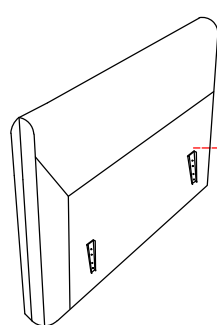
A X 1pc

Couch



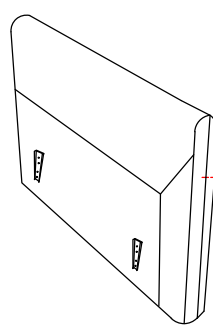
B X 1pc

Trundle bed



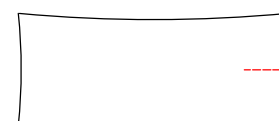
C X 1pc

Left arm



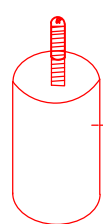
D X 1pc

Right arm



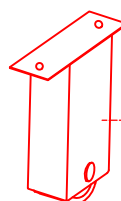
E X 2pc

Pillow



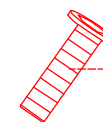
F X 4pc

Legs



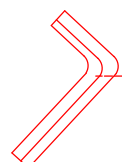
G X 4pc

Legs



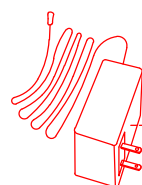
H X 8pc
(M6*20MM)

Short screw



I X 1pc
(M4)

L-Shaped Wrench

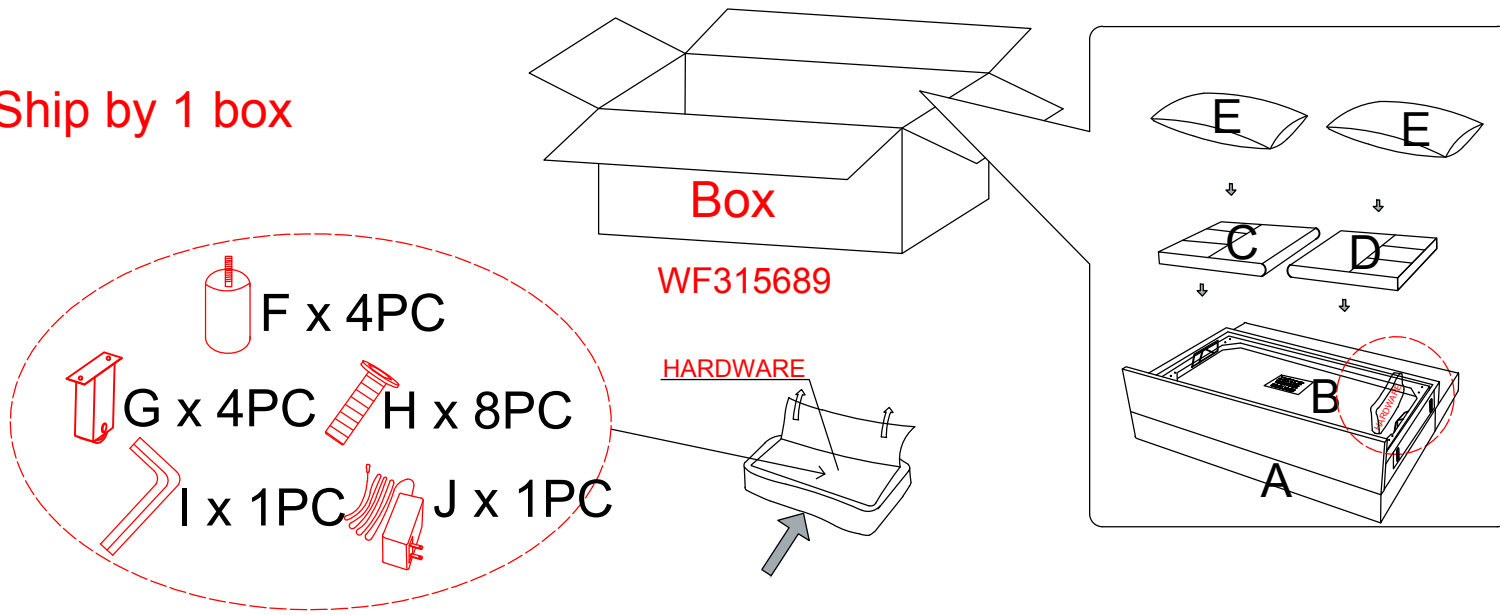


J X 1pc

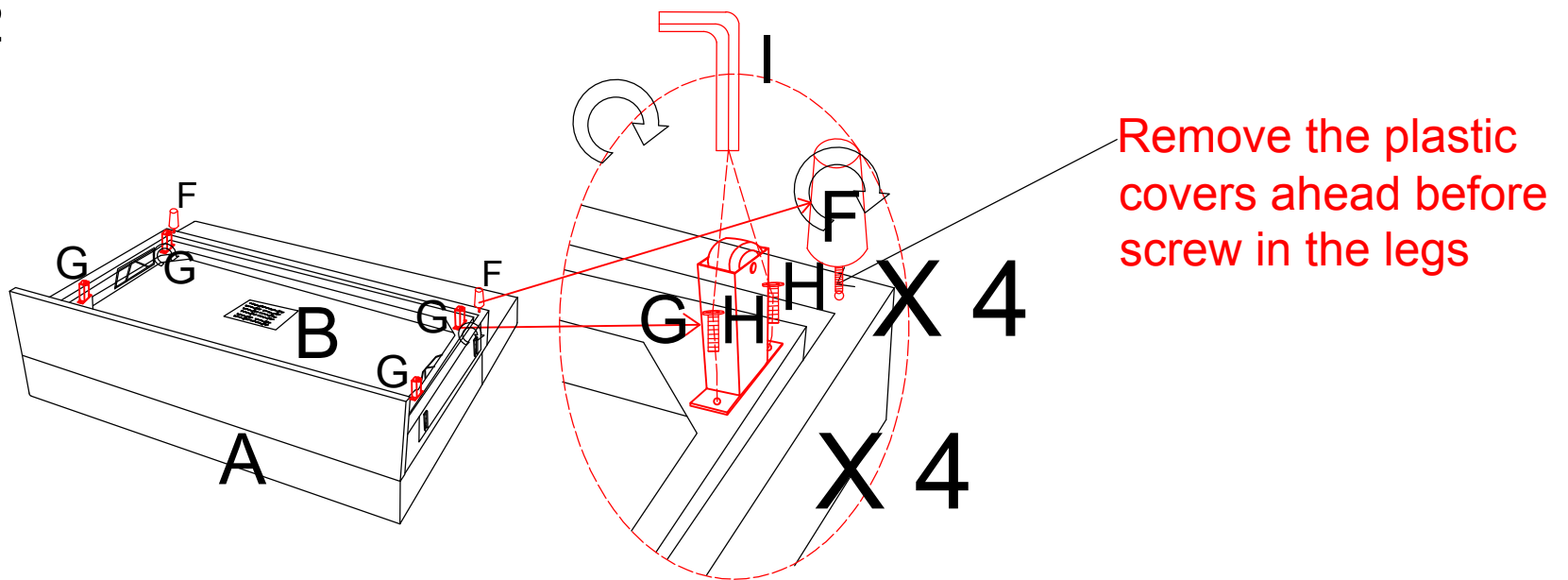
USB power

STEP 1

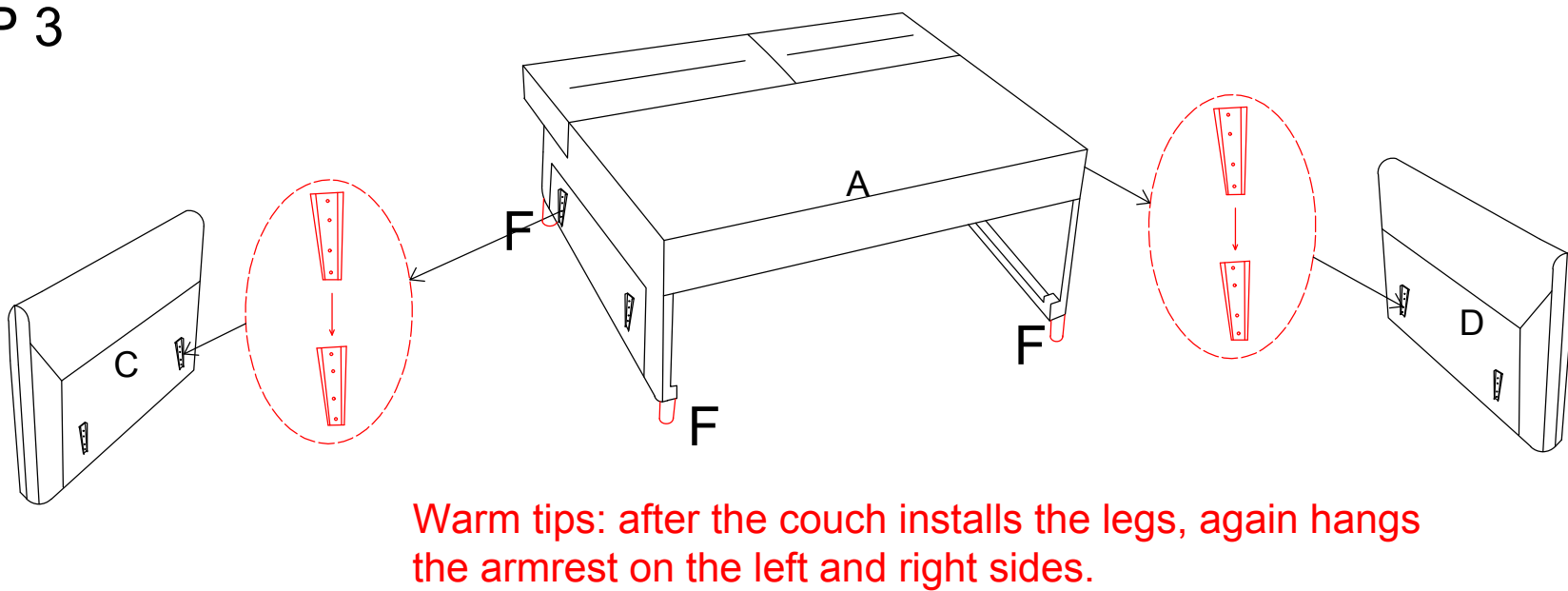
Ship by 1 box



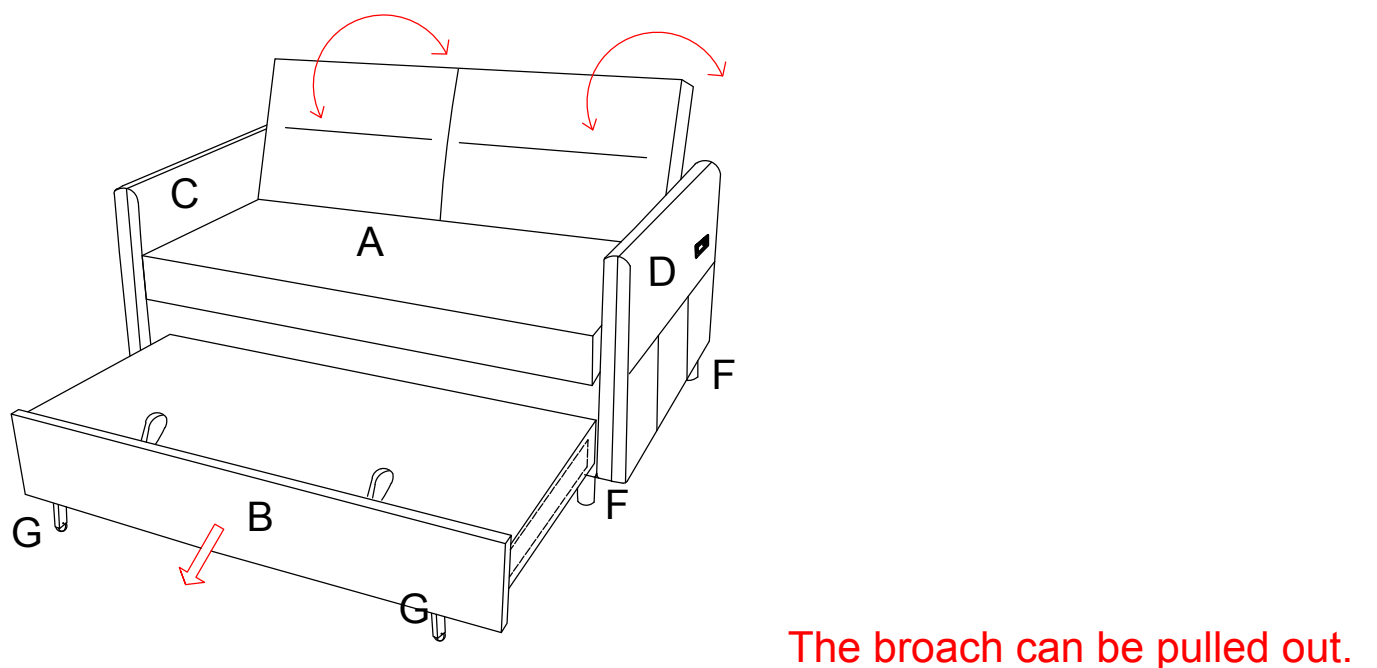
STEP 2



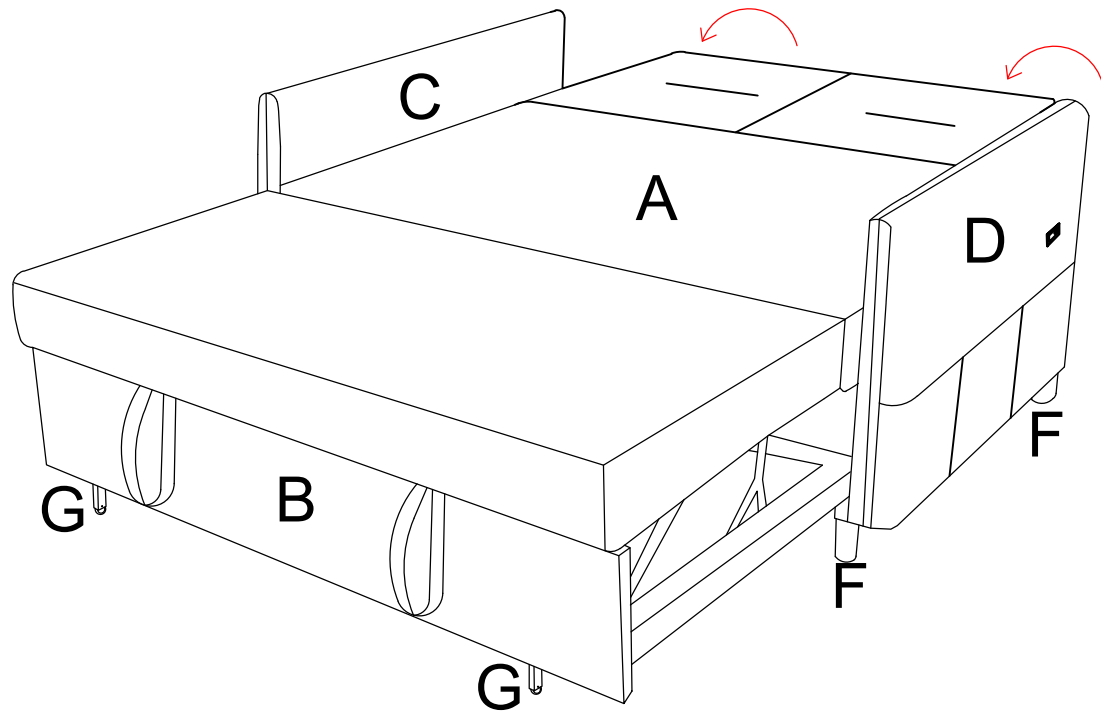
STEP 3



STEP 4

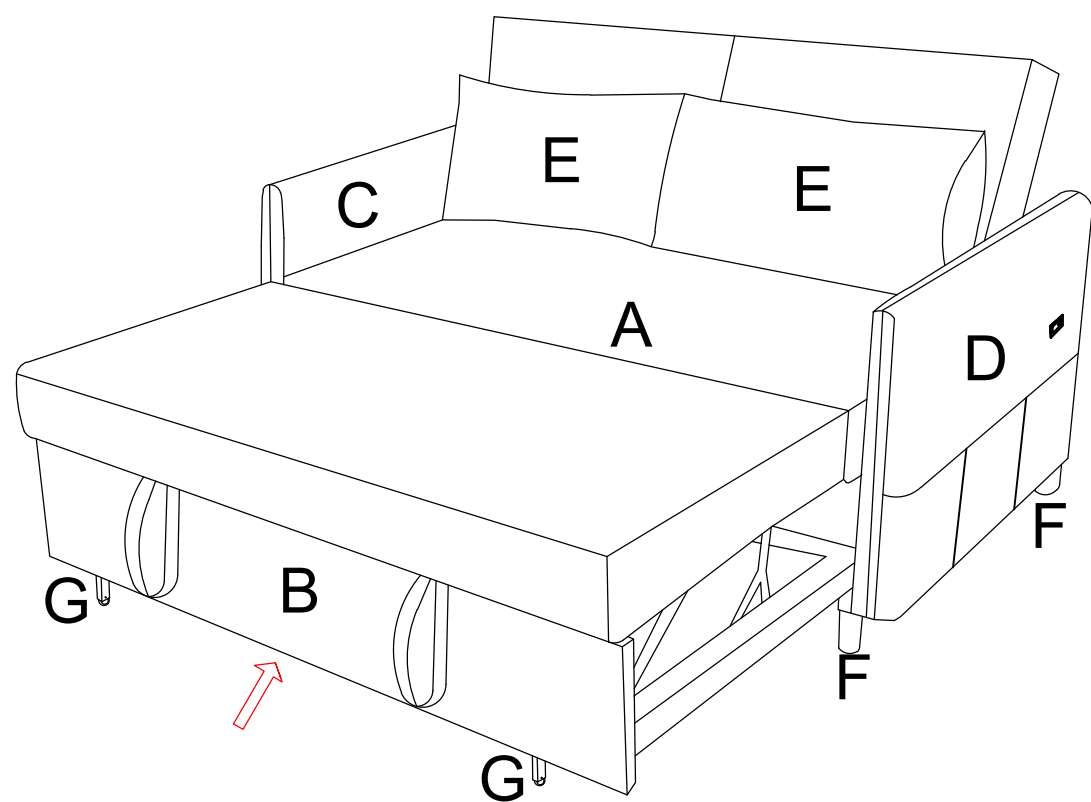


STEP 5



The backrest can be flat.

STEP 6



STEP 7

