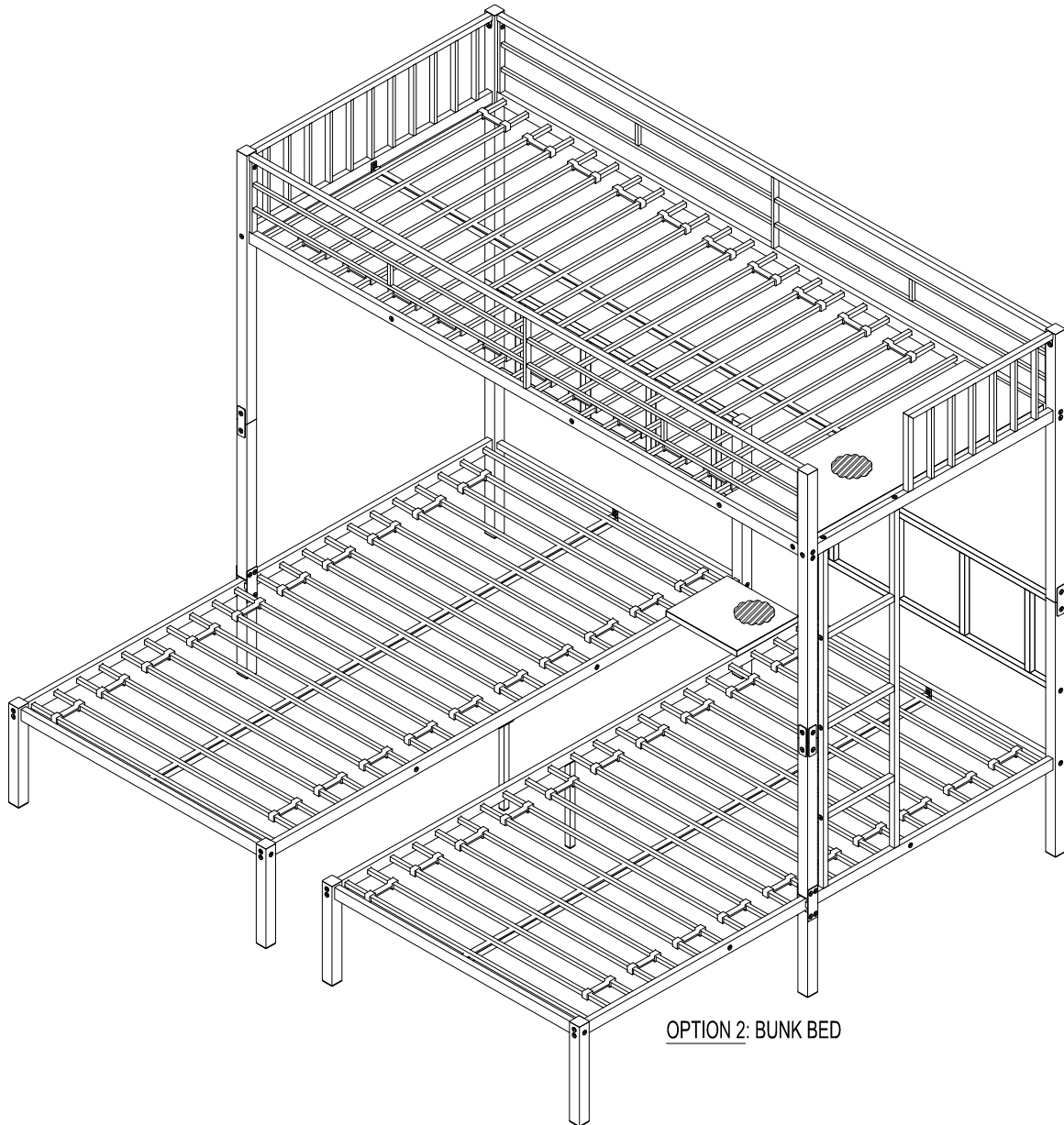
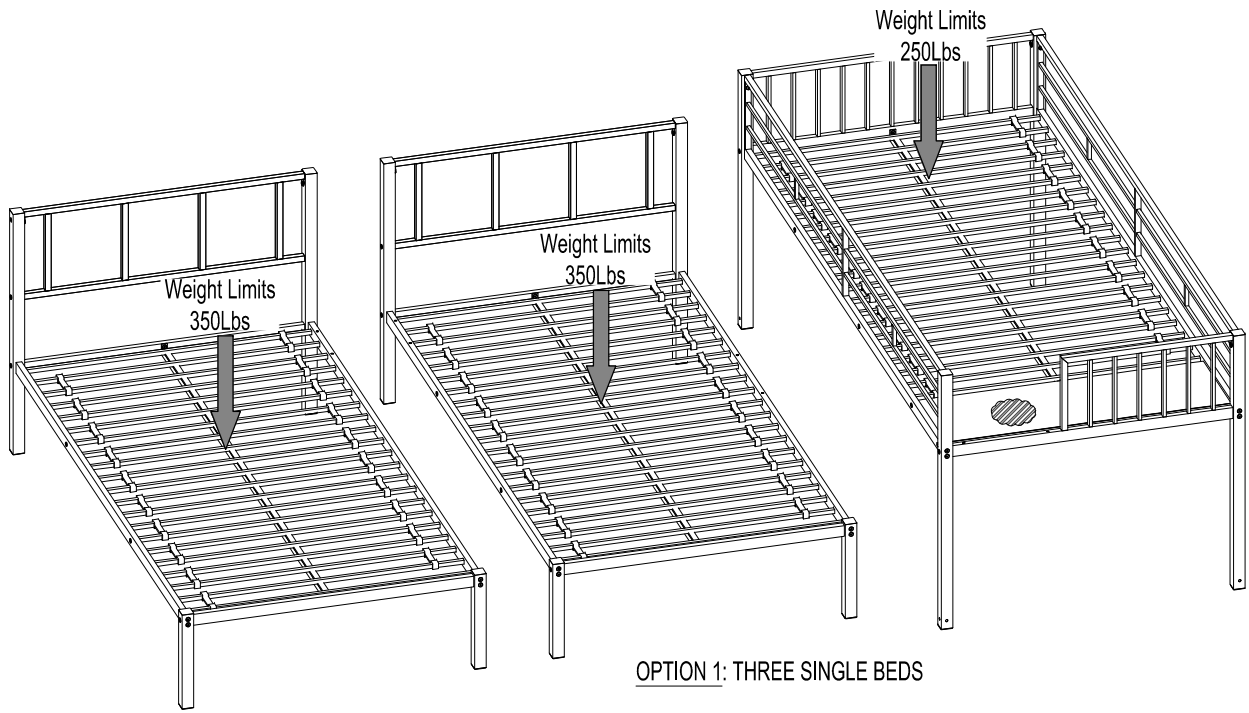
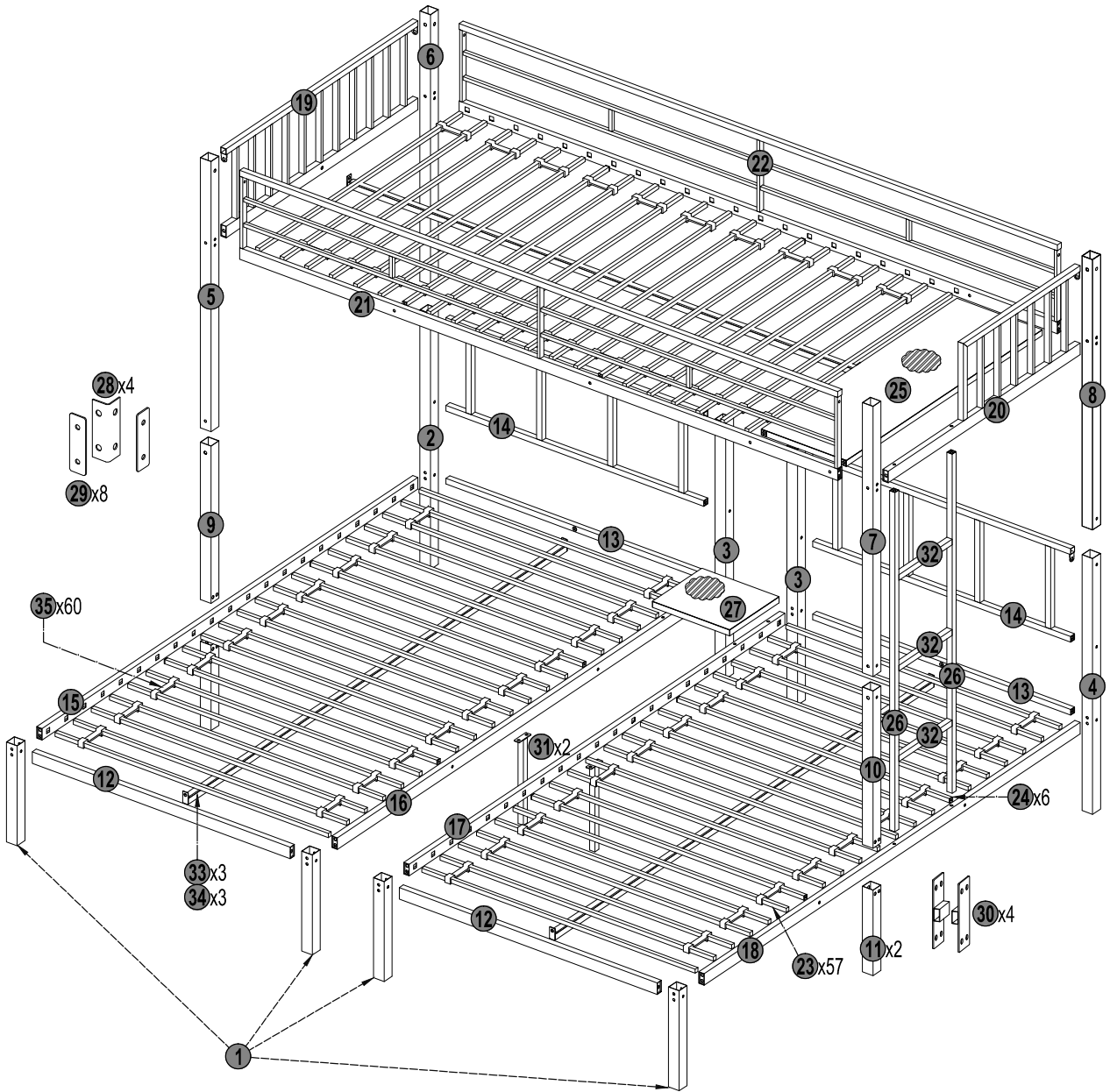


**BUNK BED
ASSEMBLY INSTRUCTIONS**



BUNK BED ASSEMBLY INSTRUCTIONS

DETAIL VIEW

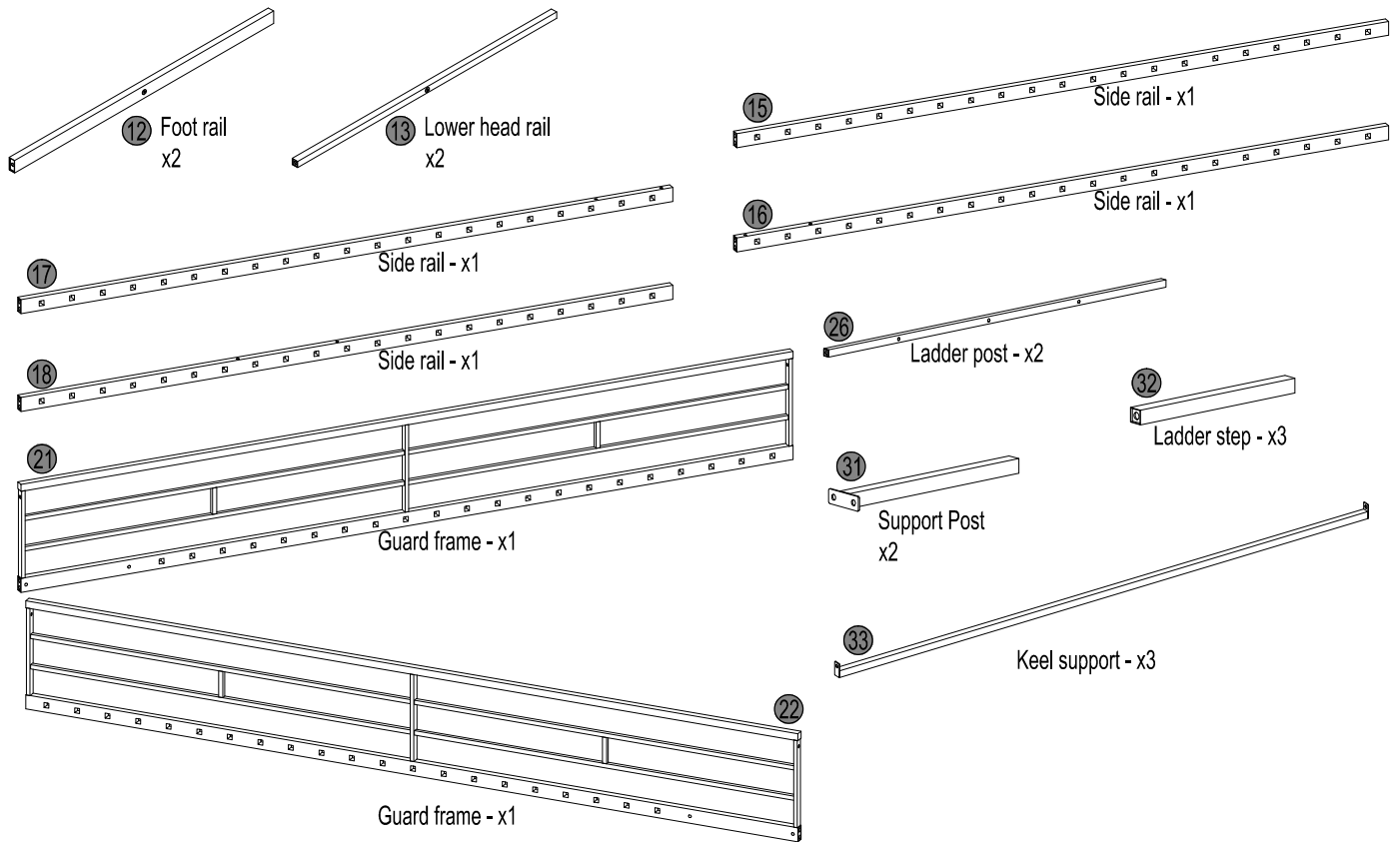


PART LIST (PACKAGE 1)

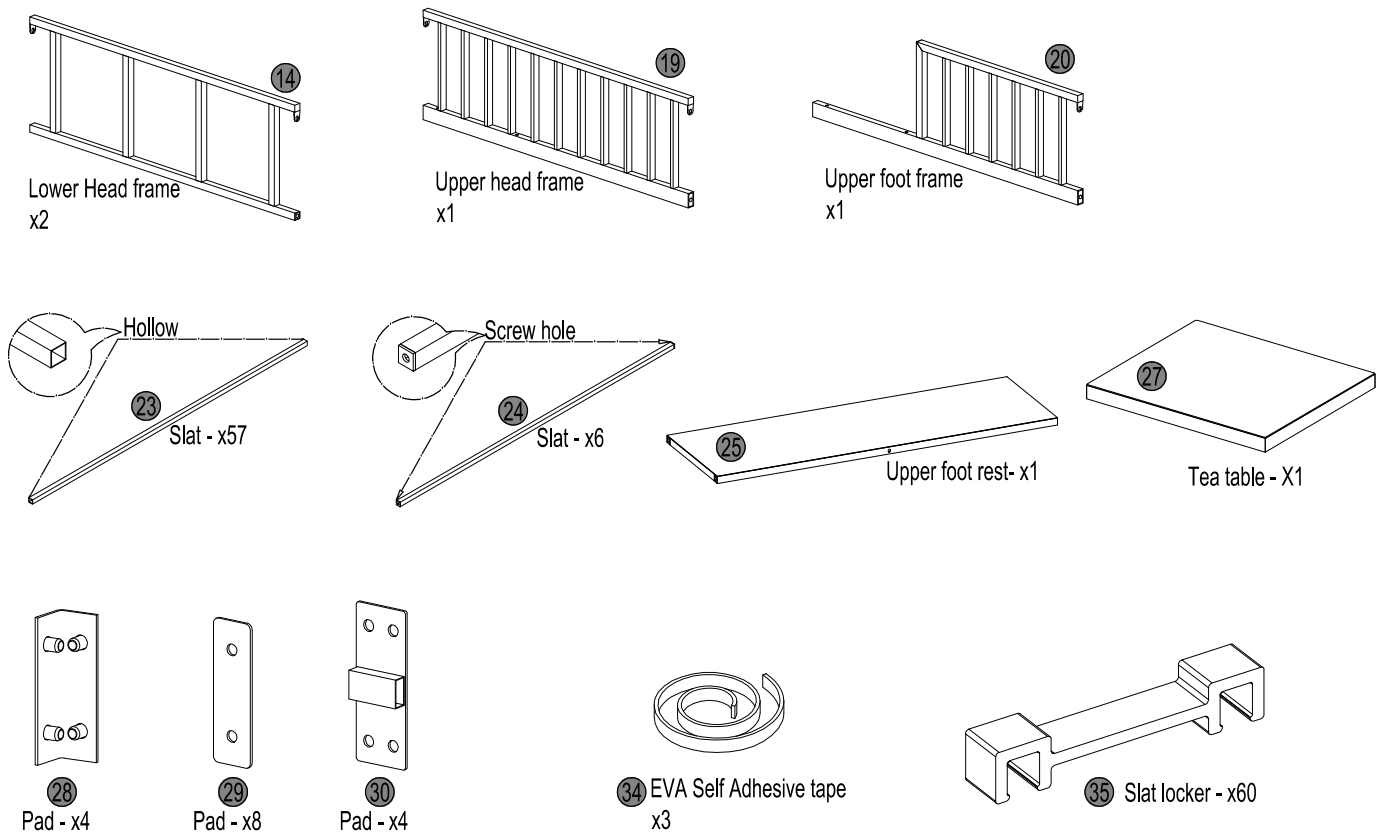
1	2	3	4	5	6	7	8	9	10	11
Post x4	Post x1	Post x2	Post x1	Post x1	Post x1	Post x1	Post x1	Post x1	Post x1	Post x2

BUNK BED ASSEMBLY INSTRUCTIONS

PART LIST (PACKAGE 1)



PART LIST (PACKAGE 2)



**BUNK BED
ASSEMBLY INSTRUCTIONS**

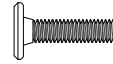
**HARDWARE LIST
(PACKAGE 2)**



(A) Bolt 1/4x60 - 48 Pcs



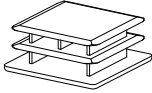
(B) Bolt 1/4x40 - 10 Pcs



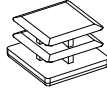
(C) Bolt 1/4x25 - 4 Pcs



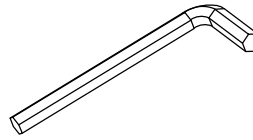
(D) Bolt 1/4x15 - 61 Pcs



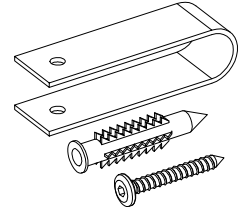
(E) End Cap 40x40 - 24 Pcs



(F) End Cap 20x20 - 2 Pcs



(G) Allen Wrench - 2 Pcs



(H) Wall Connector - 2 Set

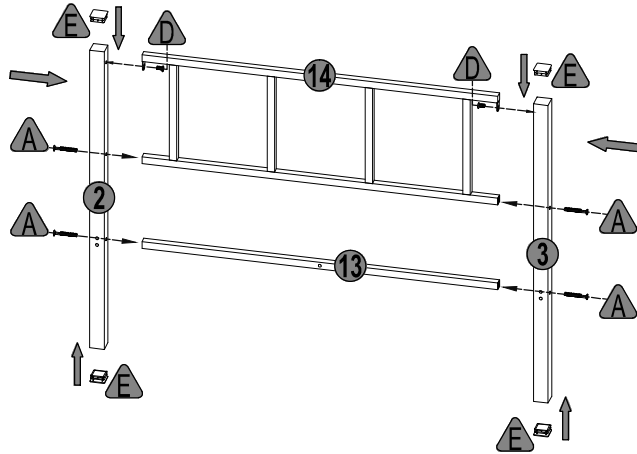
SAFETY WARNING AND GENERAL NOTES

- Follow the information on the warnings on the bunk bed end structure and on the carton. Do not remove the warning label from the bed.
 - Always use the recommended size mattress on the mattress support, or both, to help prevent the likelihood of entrapment or falls.
 - Do not allow children under 6 years old to use the upper bunk.
 - Periodically check and ensure the guardrail, ladder and other components are in their proper position, free from damage, and all connectors are tight.
 - Do not allow horseplay on or under bed.
 - Always prohibit jumping on the bed.
 - Prohibit more than one person on upper bed.
 - Always use the ladder for entering and leaving the upper bed.
 - Do not use substitute parts. Contact the manufacturer or dealer for replacement parts.
 - Use of a night-light may provide added safety precaution for a child using the upper bunk.
 - Always use guardrails on both long sides of the upper bunk.
 - If the bunk bed will be placed next to a wall, the guardrail that runs the full length of the bed should be placed against the wall to prevent entrapment between the bed and the wall.
The use of water of sleep flotation mattress is prohibited.
 - STRANGULATION HAZARD** - Never attach or hang items to any part of the bunk bed that are not designed for use with the bed; for example, but not limited to, hook, belts and jump ropes.
 - Keep these instructions for future reference.
 - We recommended assembling your bunk bed on the shipping carton to protect your floor or carpet.
 - Be certain all staples are out of the box before beginning assembly on the shipping carton.
 - USE ONLY MATTRESSES WHICH ARE AS THE TABLE BELOW ON UPPER AND LOWER BUNKS.**
- | | | | |
|---|-----------|--------------------|-----------|
| <u>Down bed:</u> | | | |
| Bed type | Length | Width | Thickness |
| Twin Standard | 74" - 75" | 38 $\frac{1}{2}$ " | 8" max |
| <u>Up bed: (bunk bed and tribed included)</u> | | | |
| Bed type | Length | Width | Thickness |
| Twin Standard | 74" - 75" | 38 $\frac{1}{2}$ " | 6" max |
- SURFACE OF MATTRESS MUST BE AT LEAST 5" (127MM) BELOW THE UPPER EDGE OF GUARDRAILS.**
 - Replacement Parts:**
Replacement Parts, including additional guardrails, may be obtained from any of our dealers.
 - Plastic lock can help reduce squeaky noise of metal bed but needs time and effort to set up, please use accordingly to your need.
 - Please, do not tighten any screw before each assembling unit is well placed AT appropriate position.

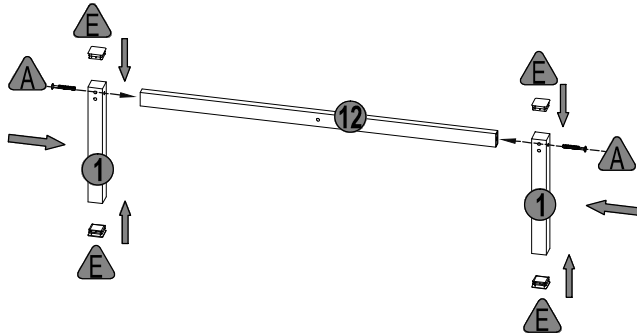
BUNK BED ASSEMBLY INSTRUCTIONS

(Option 1 to assembly 3 single beds, from step 1 to step 12)

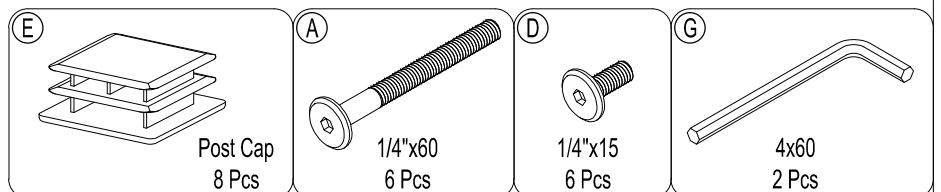
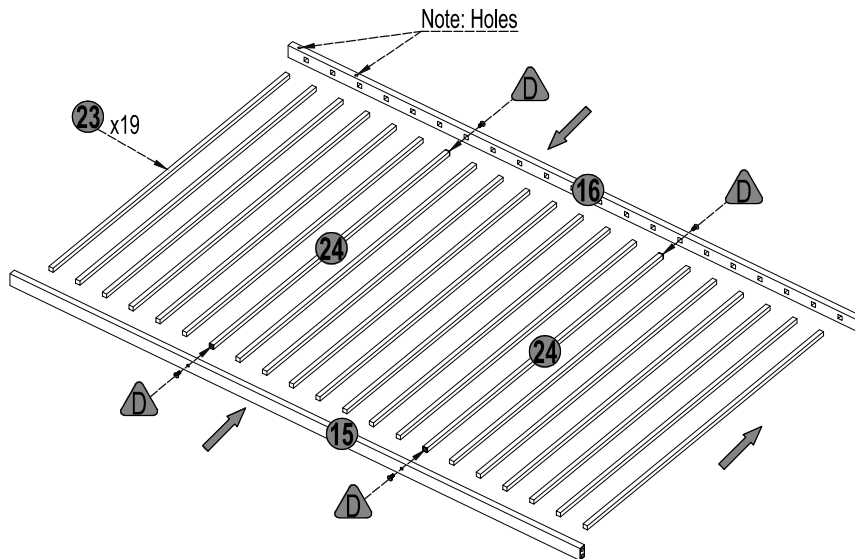
STEP 1: Attach (2), (3) to (13), (14) with bolt ((A), (D)). Plugging the post ends with caps (E).



STEP 2: Attach (1) to (12) with bolts (A). Plugging the post ends with caps (E).



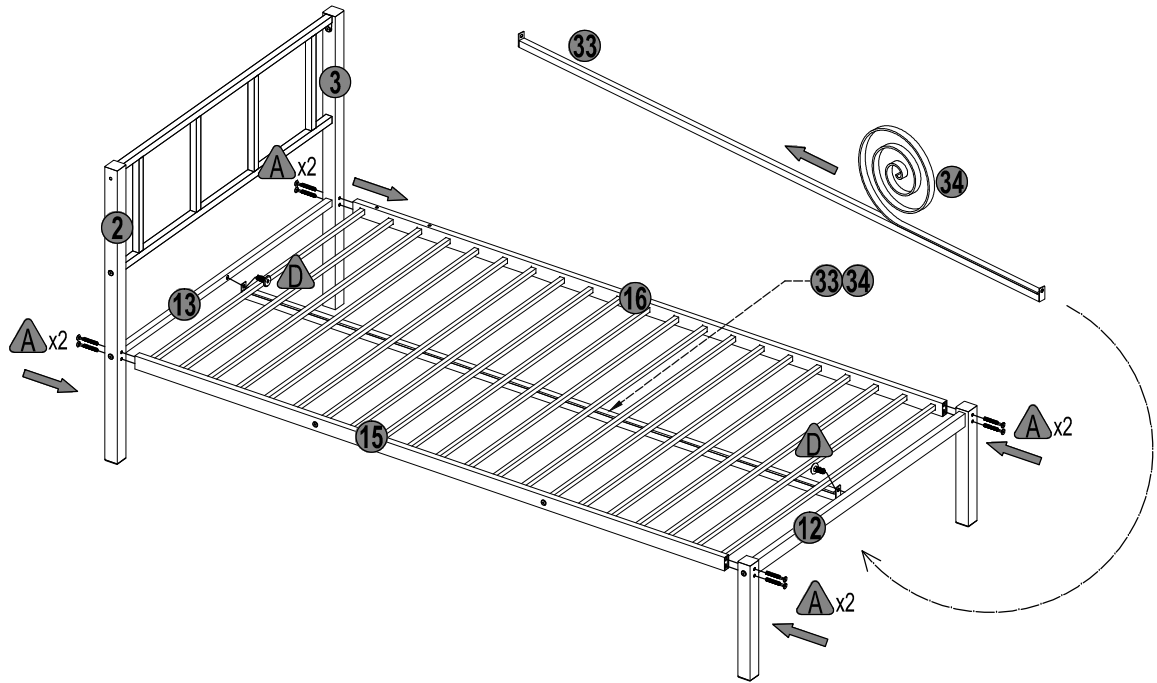
STEP 3: Attach (23), (24) to (15), (16), secure (24) into place with bolts (D).



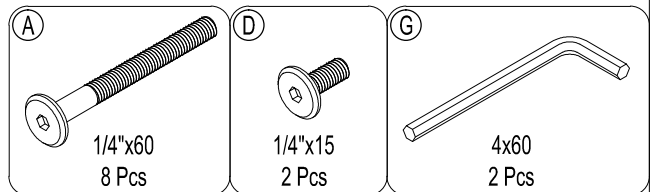
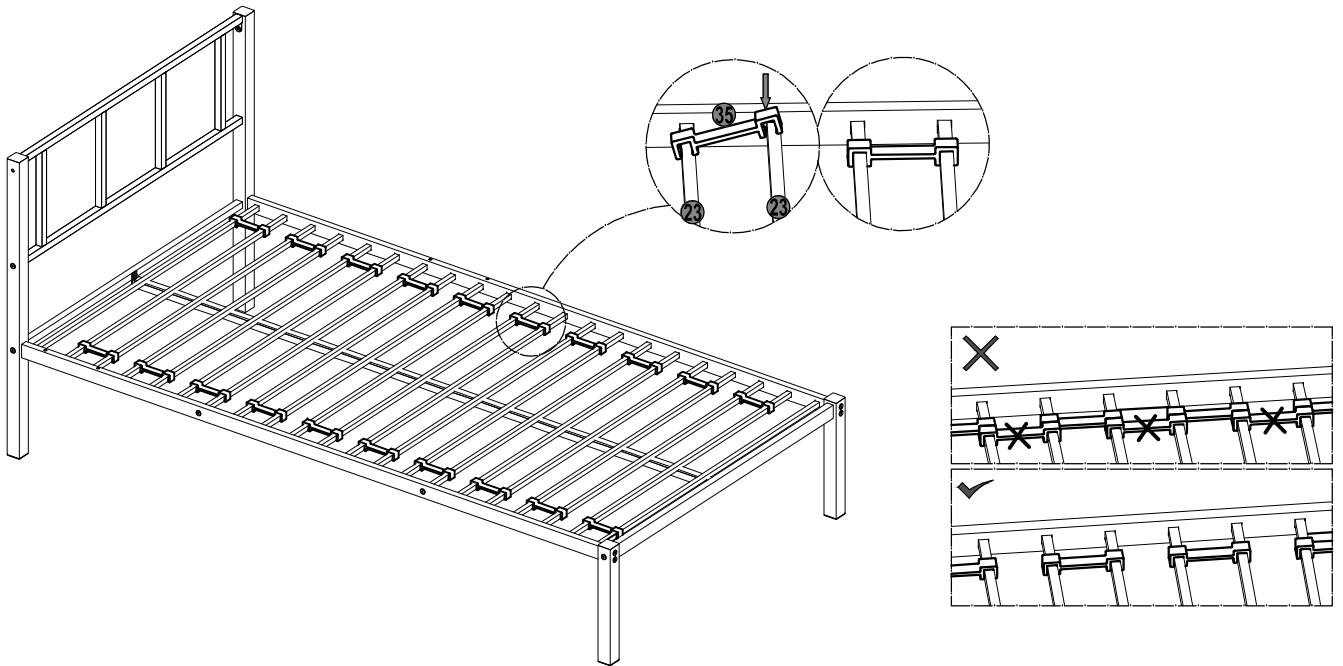
BUNK BED
ASSEMBLY INSTRUCTIONS
 (Option 1 to assembly 3 single beds, from step 1 to step 12)

STEP 4:

- 4.1: Stick (34) on (33).
- 4.2: Attach the frames from **Step 1**, **Step 2** to the frame from **Step 3** with bolts (A).
- 4.3: Attach (33) to (13), (12) with bolts (D).



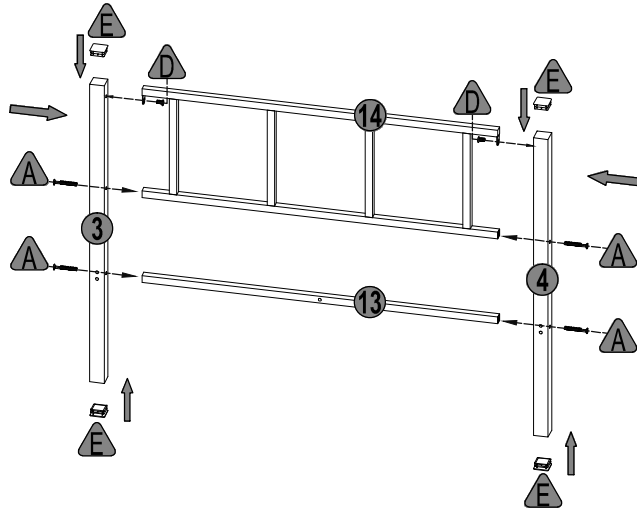
STEP 5: Attach (35) to (23) and/or (24). Tighten all bolts and secure all connections for completing the assembly.



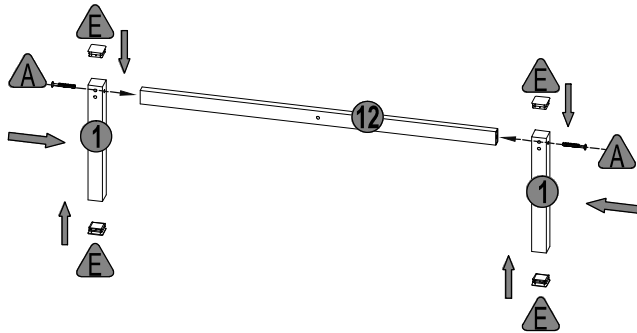
BUNK BED ASSEMBLY INSTRUCTIONS

(Option 1 to assembly 3 single beds, from step 1 to step 12)

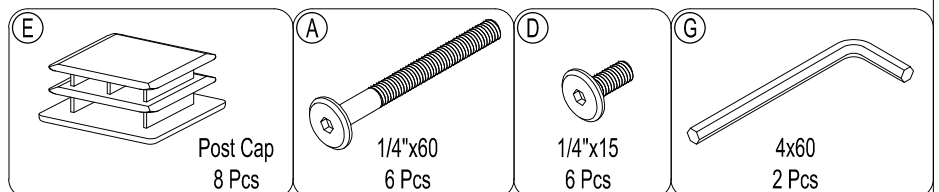
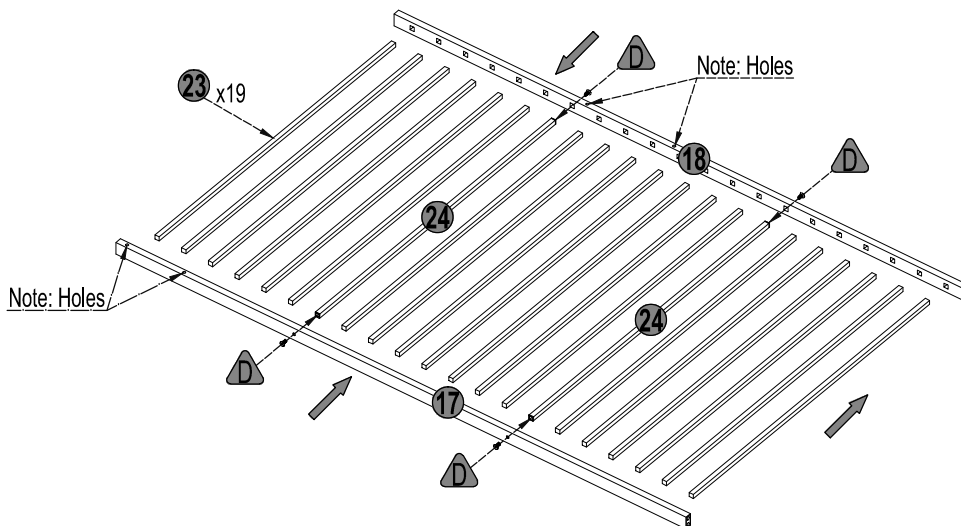
STEP 6: Attach (4), (3) to (13), (14) with bolt ((A), (D)). Plugging the post ends with caps (E).



STEP 7: Attach (1) to (12) with bolts (A). Plugging the post ends with caps (E).



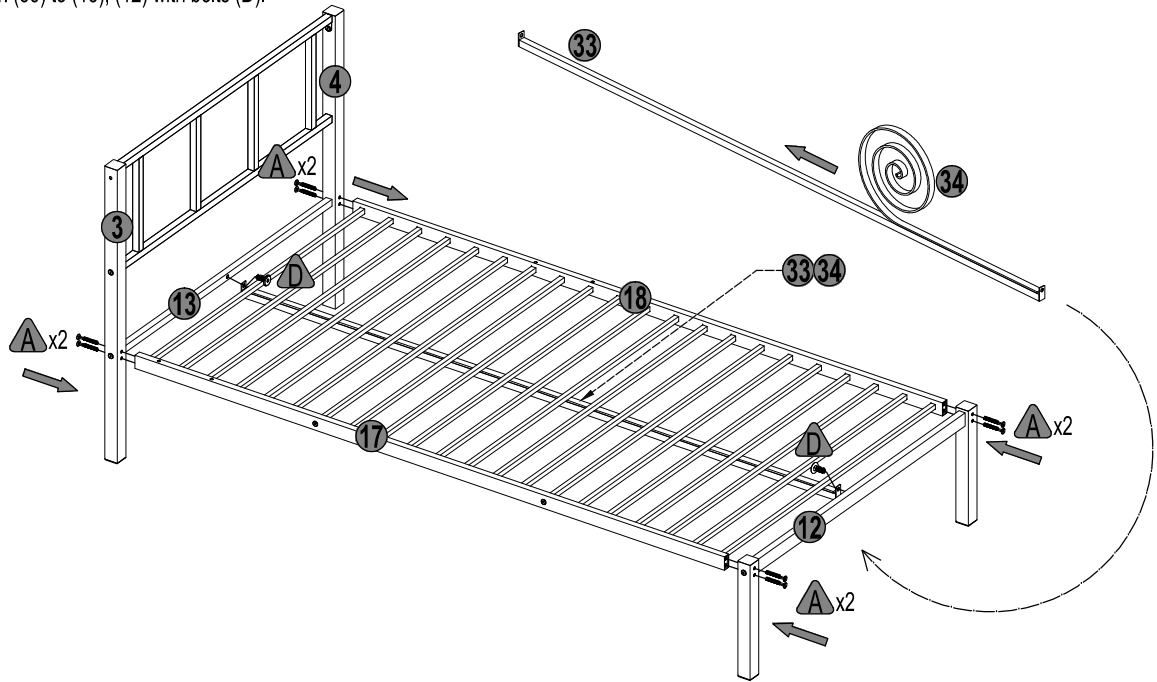
STEP 8: Attach (23), (24) to (17), (18), secure (24) into place with bolts (D).



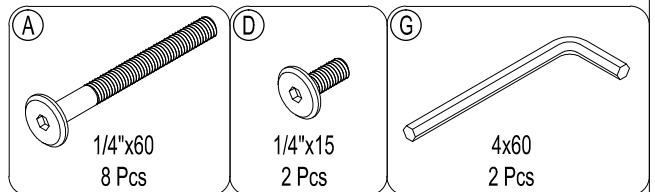
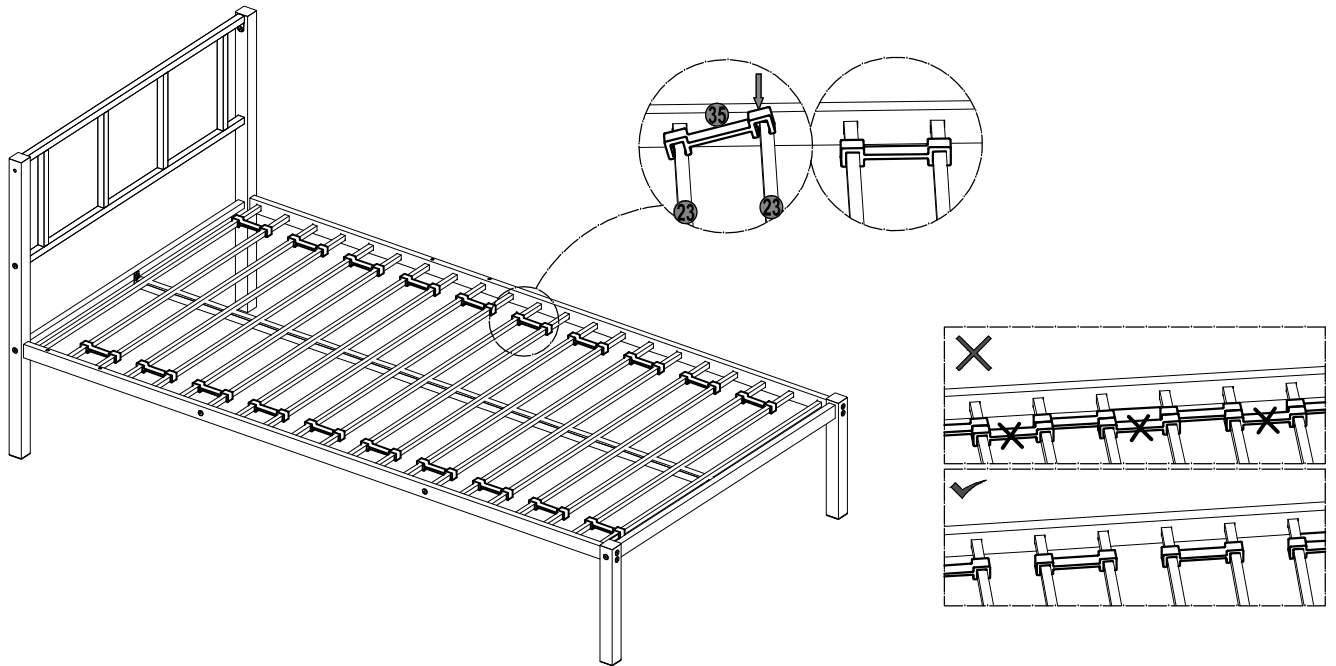
BUNK BED
ASSEMBLY INSTRUCTIONS
 (Option 1 to assembly 3 single beds, from step 1 to step 12)

STEP 9:

- 9.1: Stick (34) on (33).
- 9.2: Attach the frames from **Step 6, Step 7** to the frame from **Step 9** with bolts (A).
- 9.3: Attach (33) to (13), (12) with bolts (D).

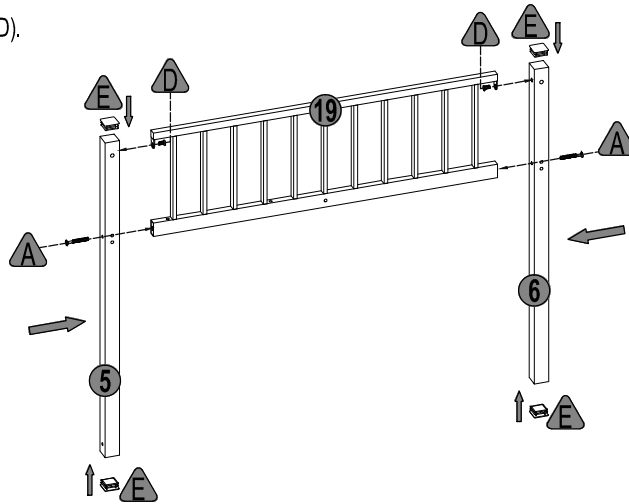


STEP 10: Attach (35) to (23) and/or (24). Tighten all bolts and secure all connections for completing the assembly.

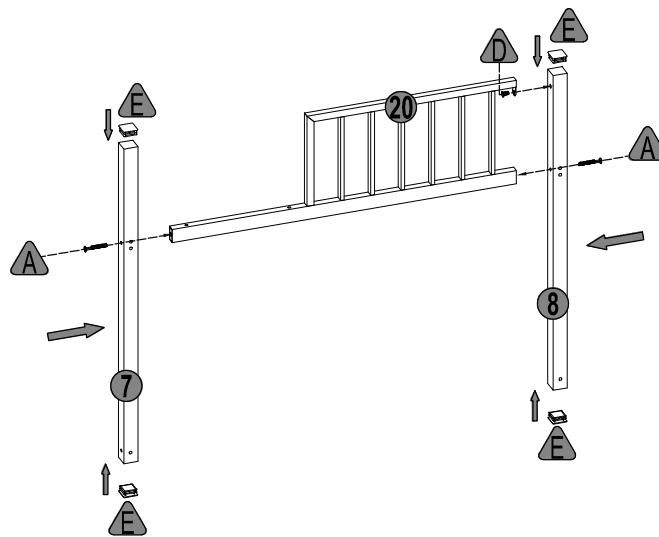


**BUNK BED
ASSEMBLY INSTRUCTIONS**
(Option 1 to assembly 3 single beds, from step 1 to step 12)

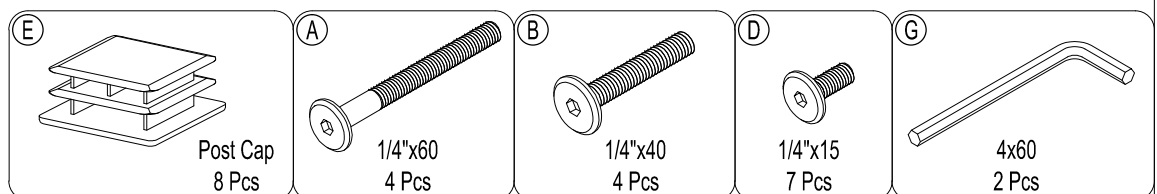
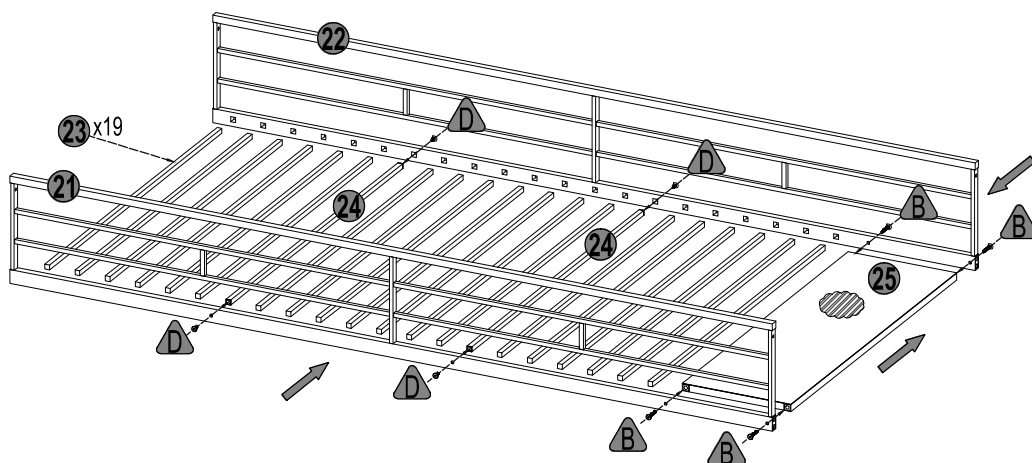
STEP 11: Attach (5), (6) to (19) with bolts (A), (D).
Plugging the post ends with Caps (E).



STEP 12: Attach (7), (8) to (20) with bolts (A), (D).
Plugging the post ends with Caps (E).



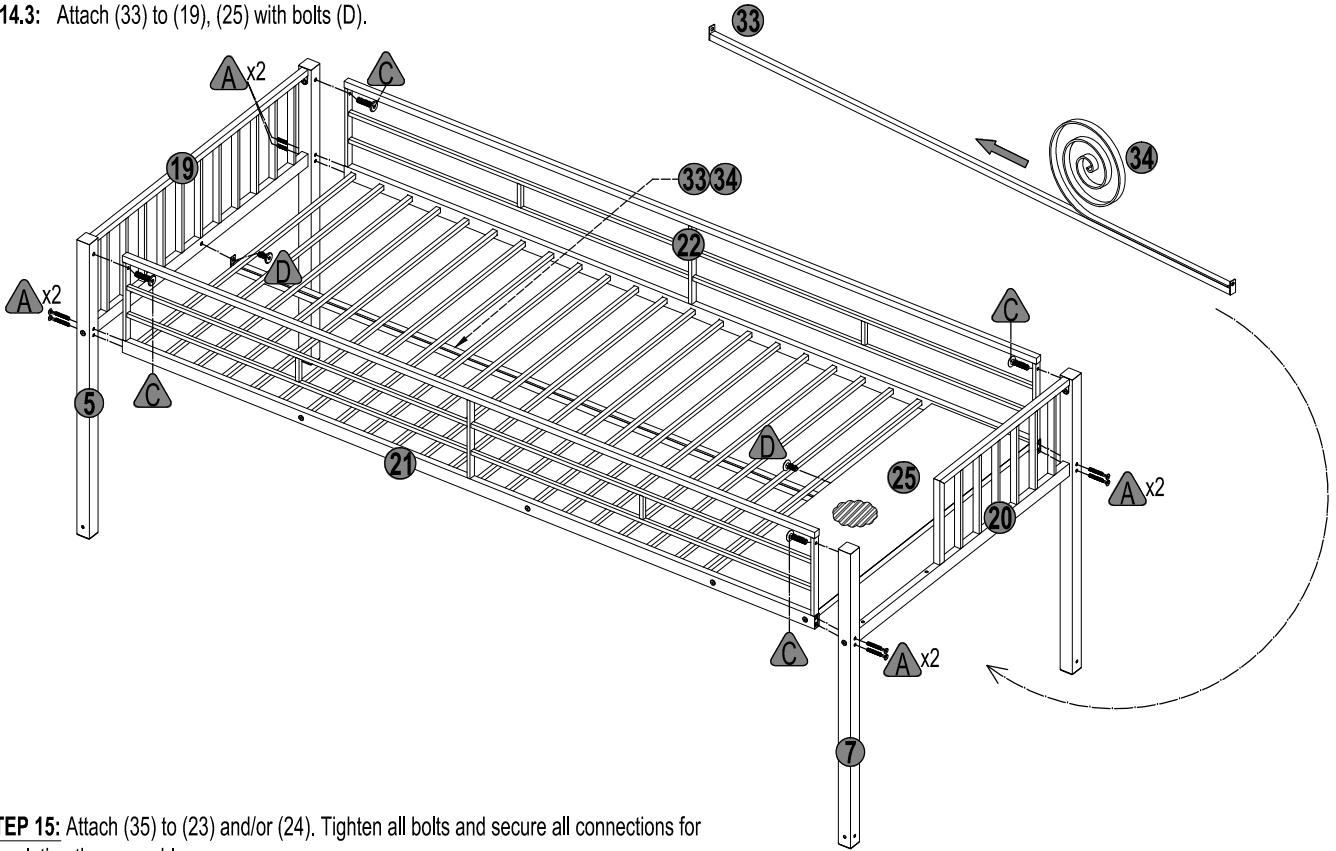
STEP 13: Attach (23), (24) and (25) to (21), (22), secure (24), (25) into place with bolts (B), (D).



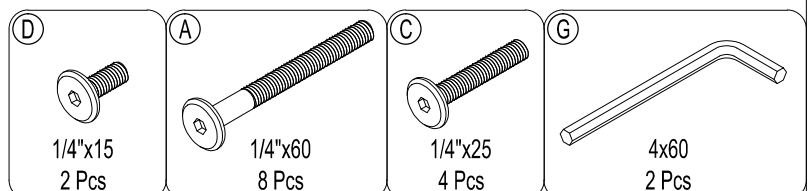
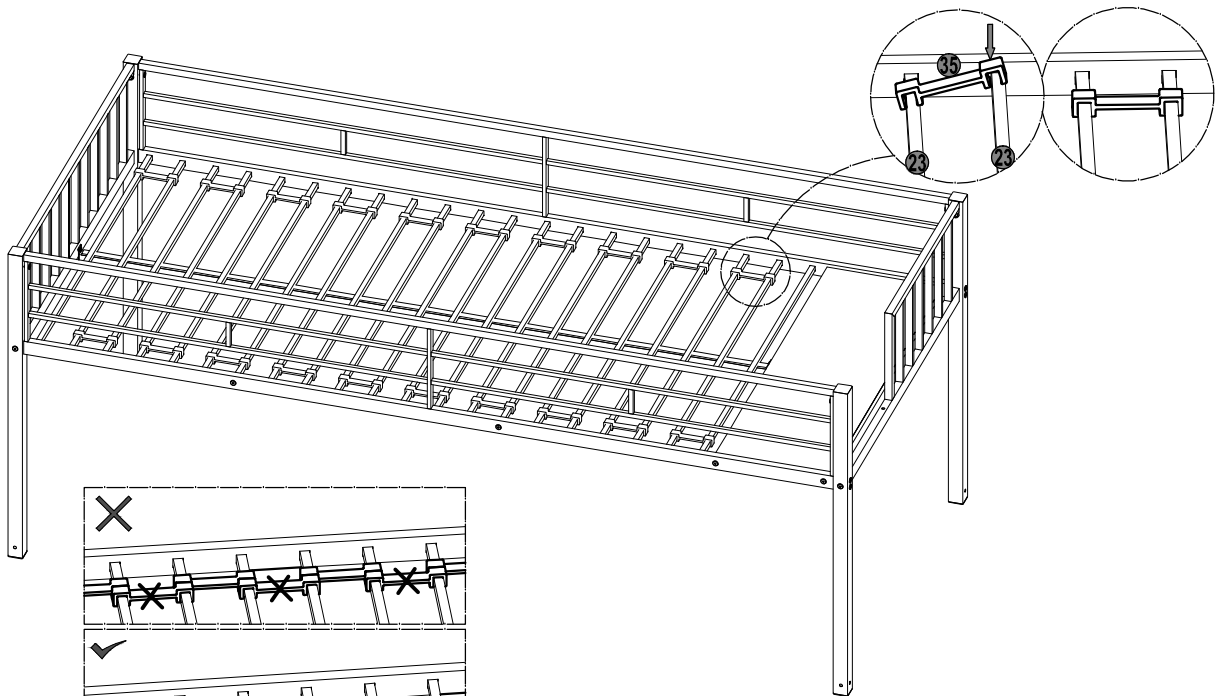
BUNK BED
ASSEMBLY INSTRUCTIONS
 (Option 1 to assembly 3 single beds, from step 1 to step 15)

STEP 14:

- 14.1: Stick (34) on (33).
- 14.2: Attach the frames from **Step 11**, **Step 12** to the frame from **Step 13** with bolts (A), (C).
- 14.3: Attach (33) to (19), (25) with bolts (D).

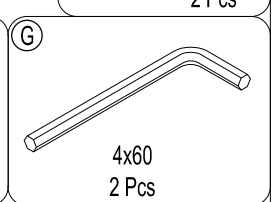
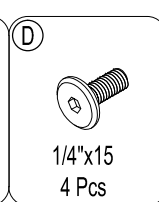
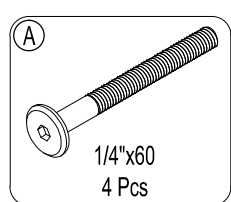
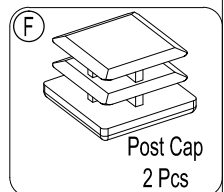
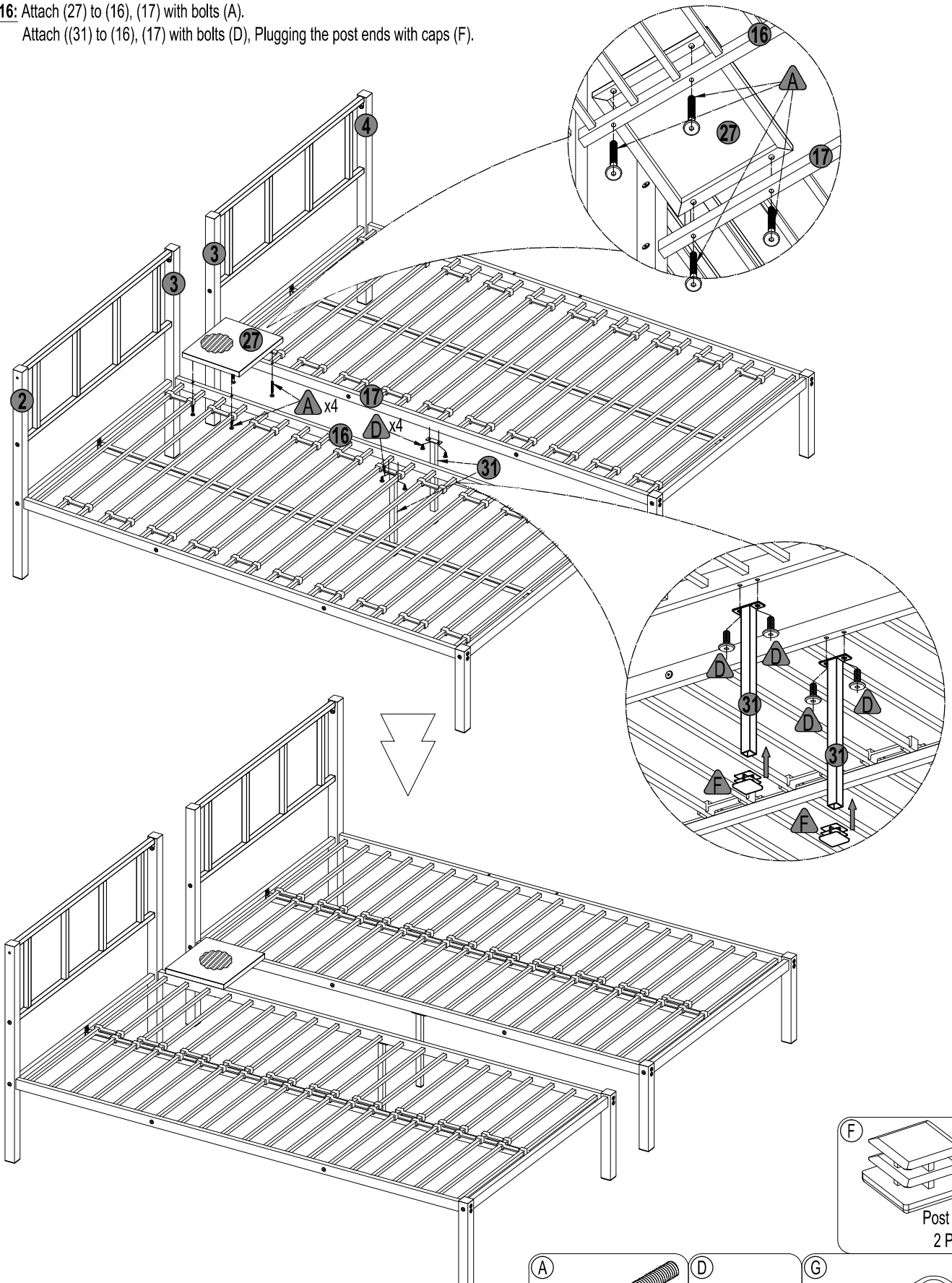


STEP 15: Attach (35) to (23) and/or (24). Tighten all bolts and secure all connections for completing the assembly.



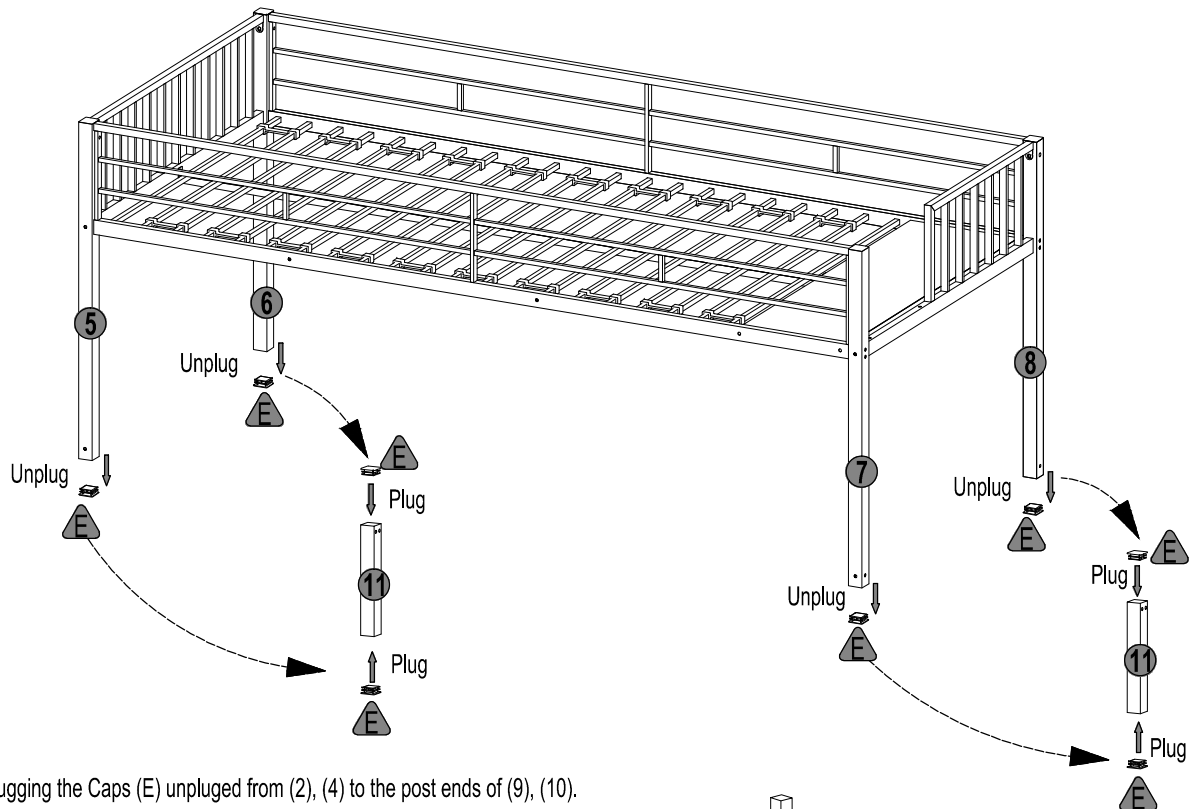
BUNK BED
ASSEMBLY INSTRUCTIONS
 (Option 2 to assembly the bunk bed, from step 16 to step 22)

STEP 16: Attach (27) to (16), (17) with bolts (A).
 Attach (31) to (16), (17) with bolts (D), Plugging the post ends with caps (F).

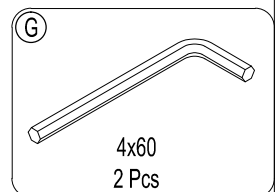
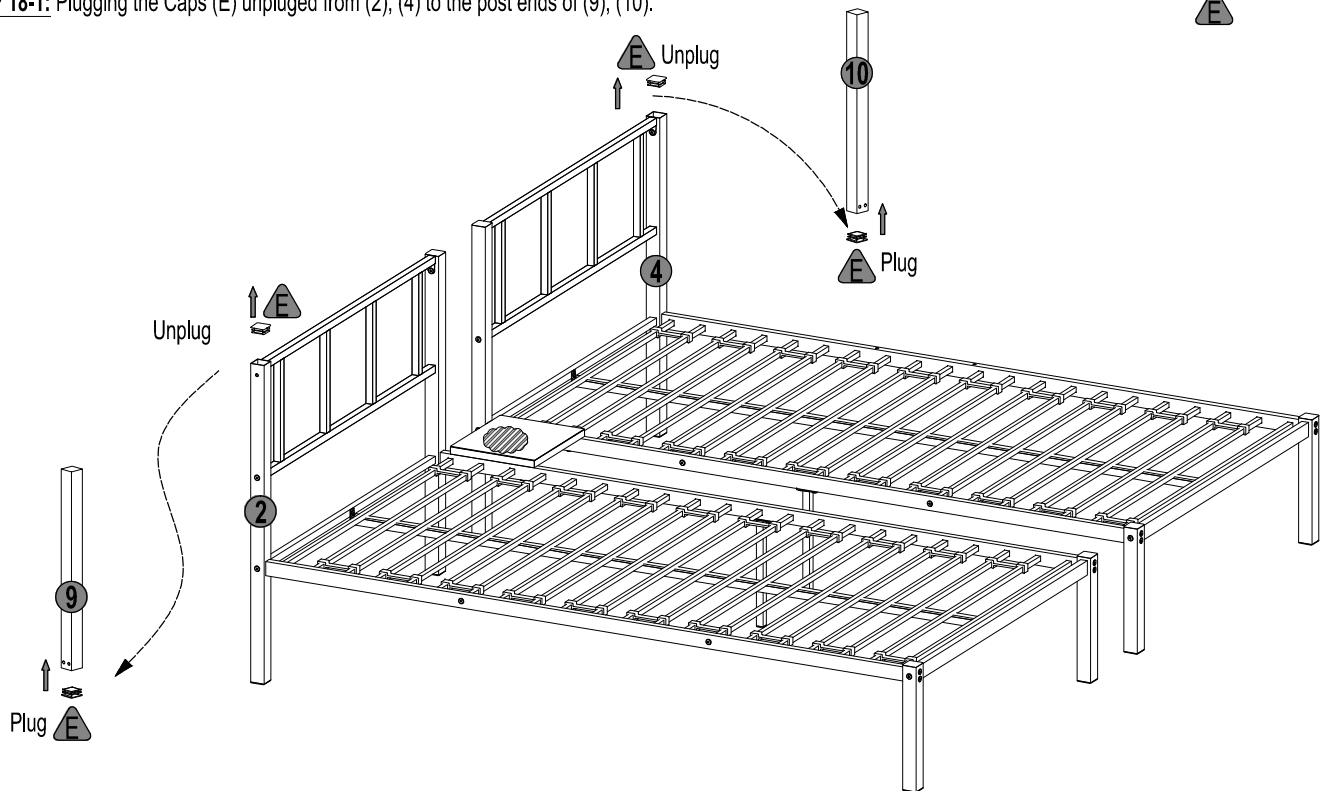


BUNK BED
ASSEMBLY INSTRUCTIONS
(Option 2 to assembly the bunk bed, from step 16 to step 22)

STEP 17: Plugging the Caps (E) unplugged from **Step 15** to the post ends of (11).

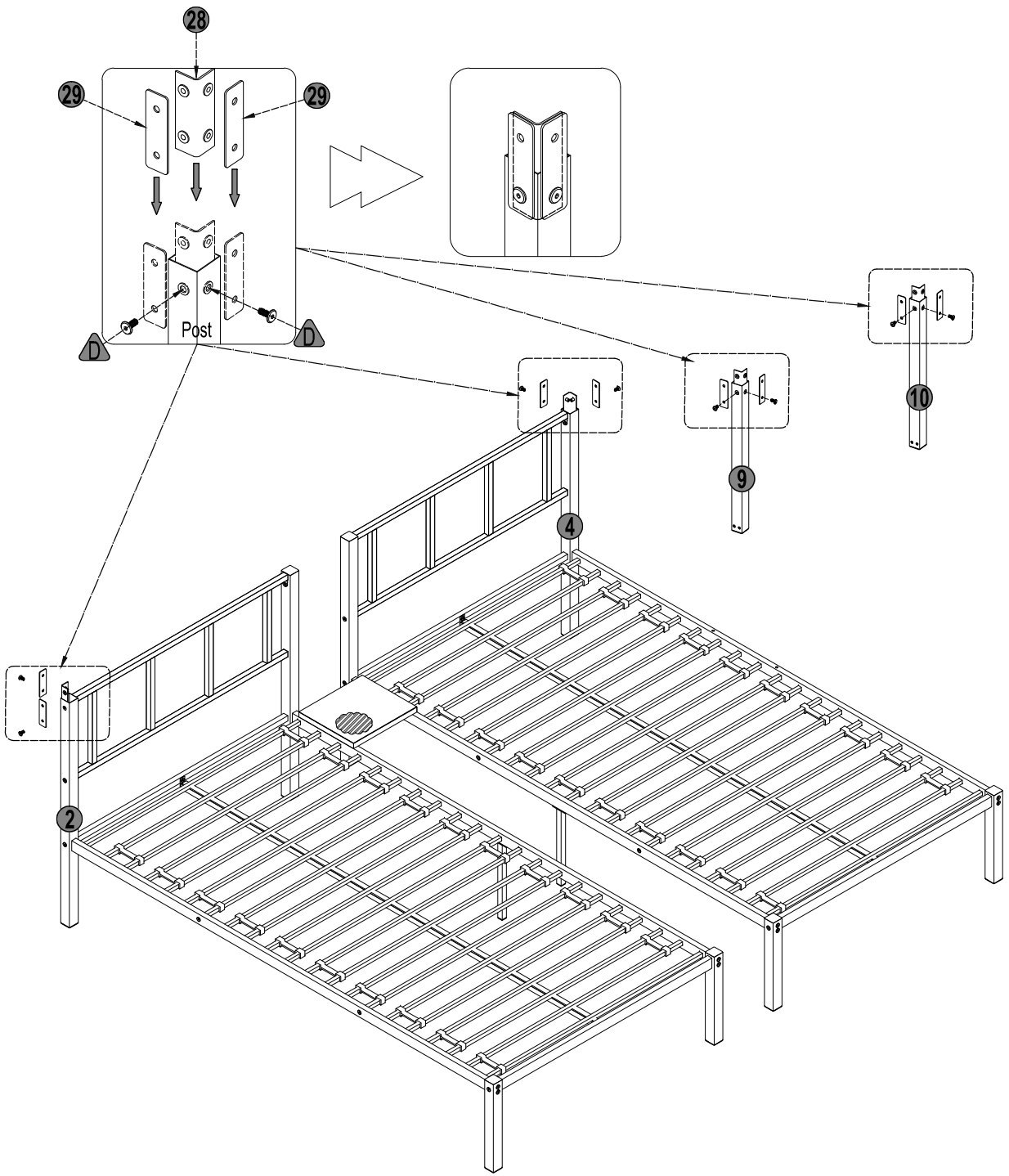


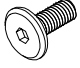
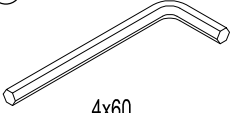
STEP 18-1: Plugging the Caps (E) unplugged from (2), (4) to the post ends of (9), (10).



BUNK BED
ASSEMBLY INSTRUCTIONS
(Option 2 to assembly the bunk bed, from step 16 to step 22)

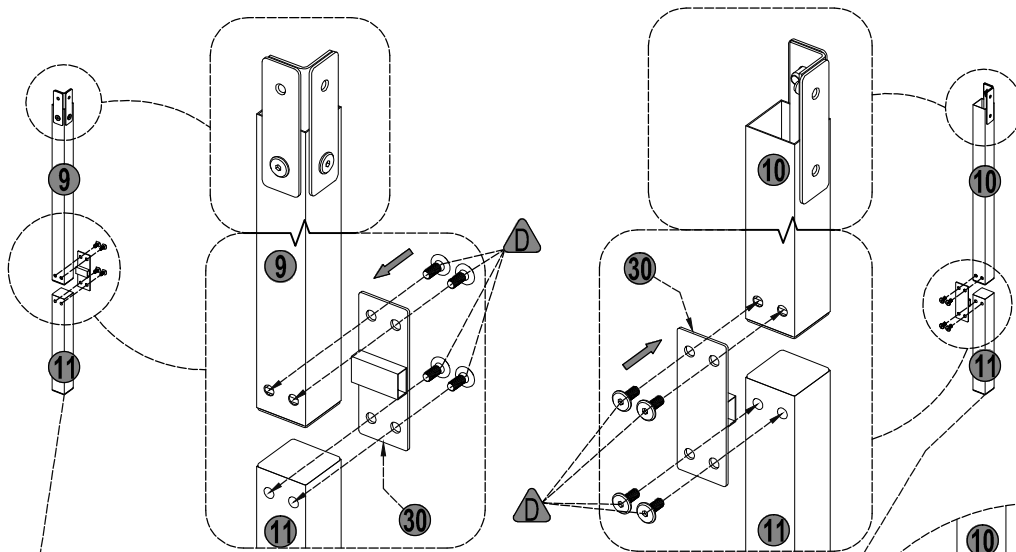
STEP 18-2:



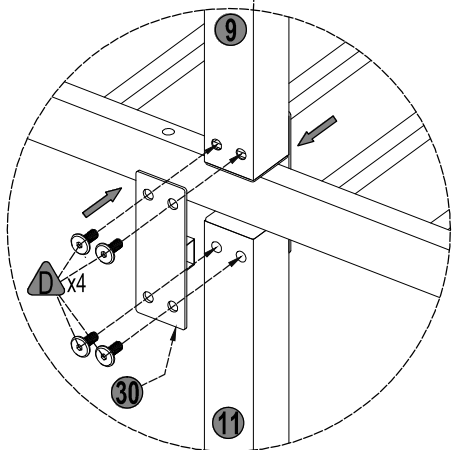
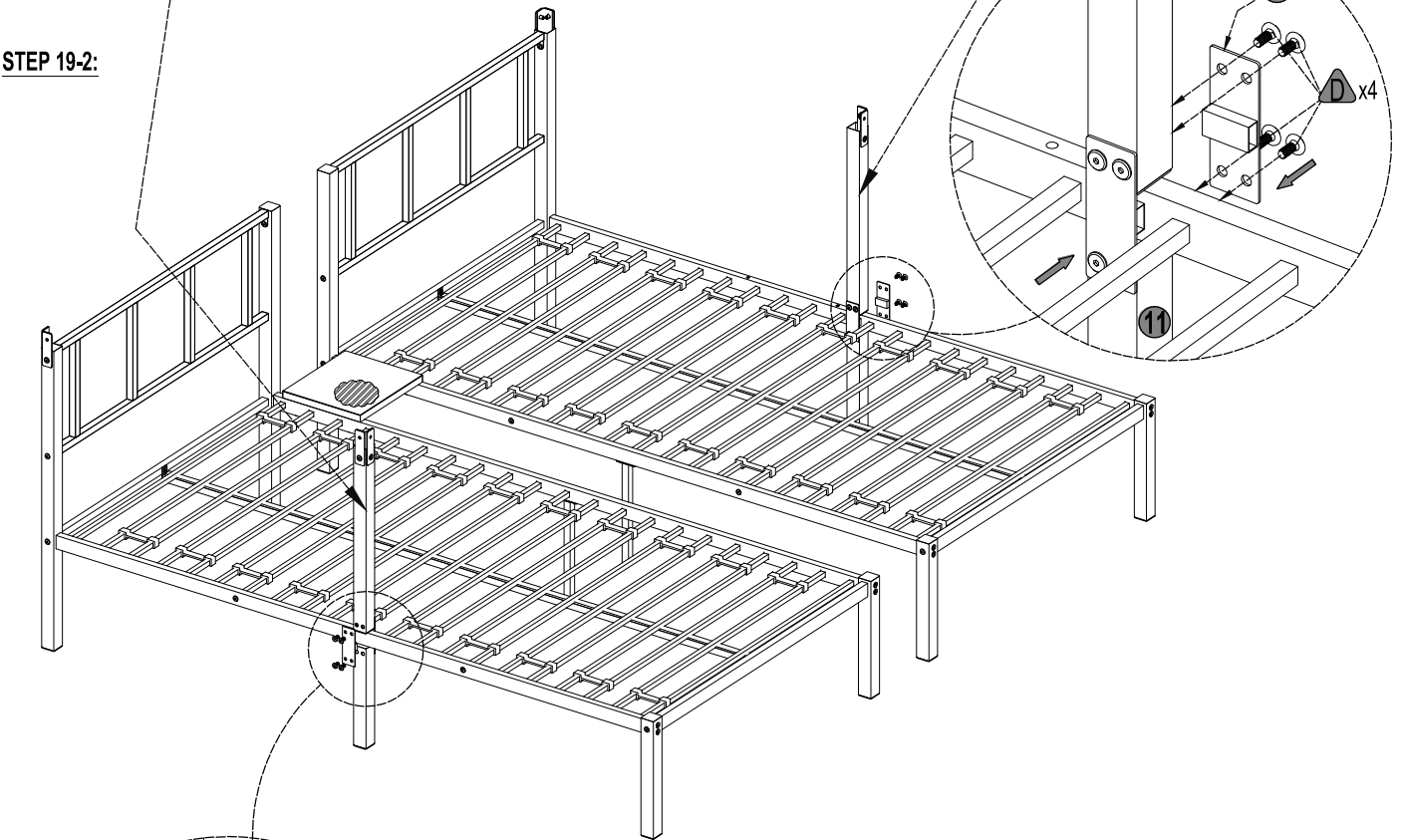
<p>D</p>  <p>1/4"x15 8 Pcs</p>	<p>G</p>  <p>4x60 2 Pcs</p>
--	---

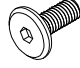

**BUNK BED
ASSEMBLY INSTRUCTIONS**
(Option 2 to assembly the bunk bed, from step 16 to step 22)

STEP 19-1:



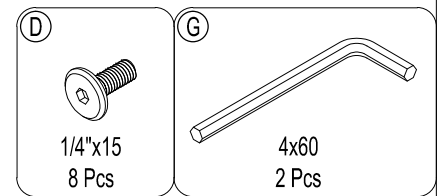
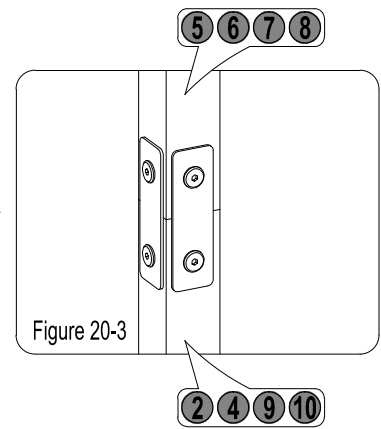
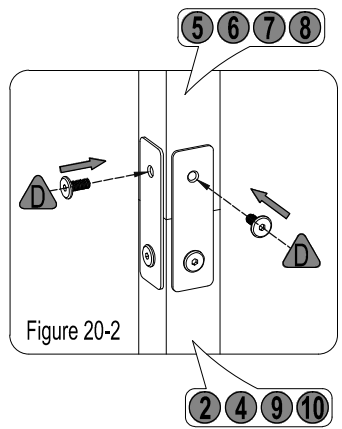
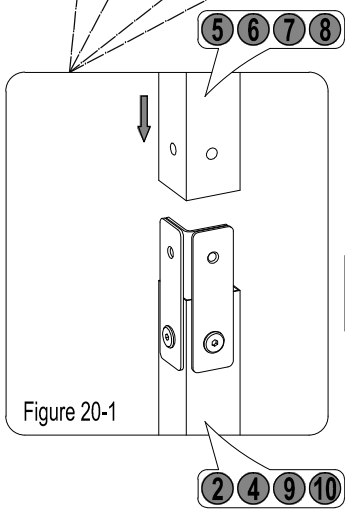
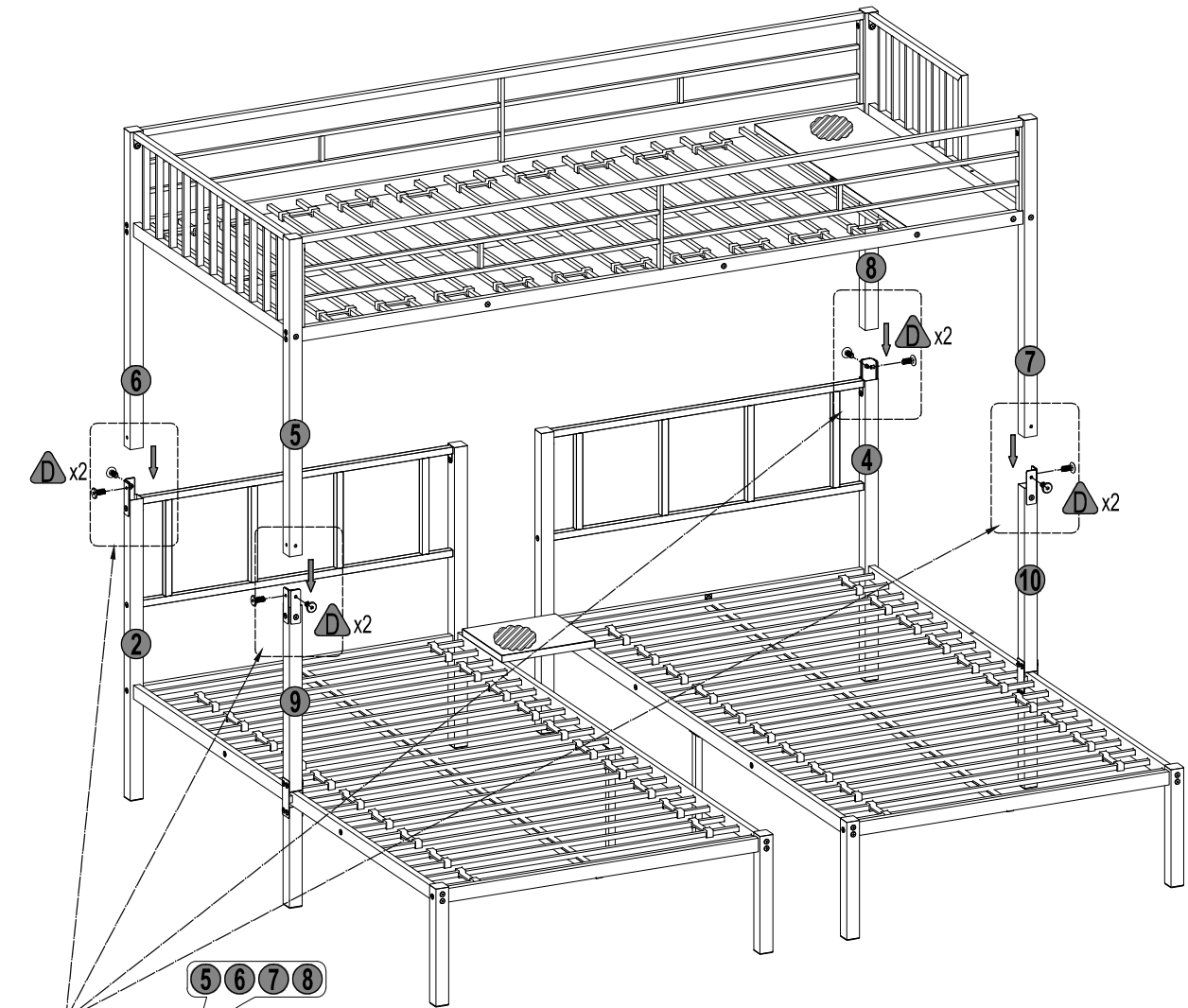
STEP 19-2:



<p>D</p>  <p>1/4"x15 16 Pcs</p>	<p>G</p>  <p>4x60 2 Pcs</p>
---	---

**BUNK BED
ASSEMBLY INSTRUCTIONS**
(Option 2 to assembly the bunk bed, from step 16 to step 22)

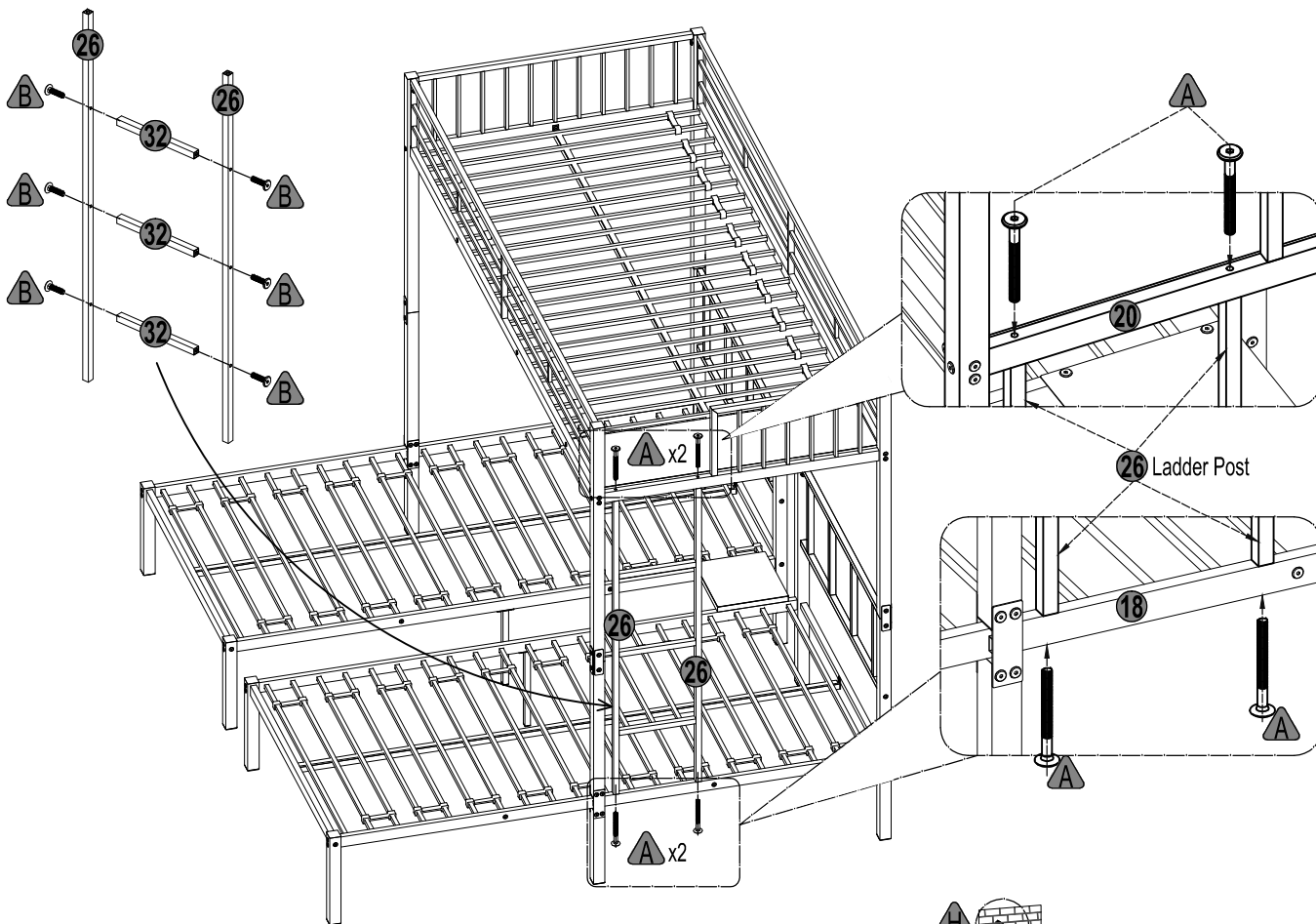
STEP 20:



**BUNK BED
ASSEMBLY INSTRUCTIONS**

(Option 2 to assembly the bunk bed, from step 16 to step 22)

STEP 21: Attach (26) to (32) with (B) to finish assembly the ladder. Attach the ladder to (18), (20) with bolts (A).
Tighten all bolts, secure all connections for completing the bunk bed assembly.



STEP 22: Firmly attaching the bed to wall with (H) before use for stability and horizontal flip preventing.

