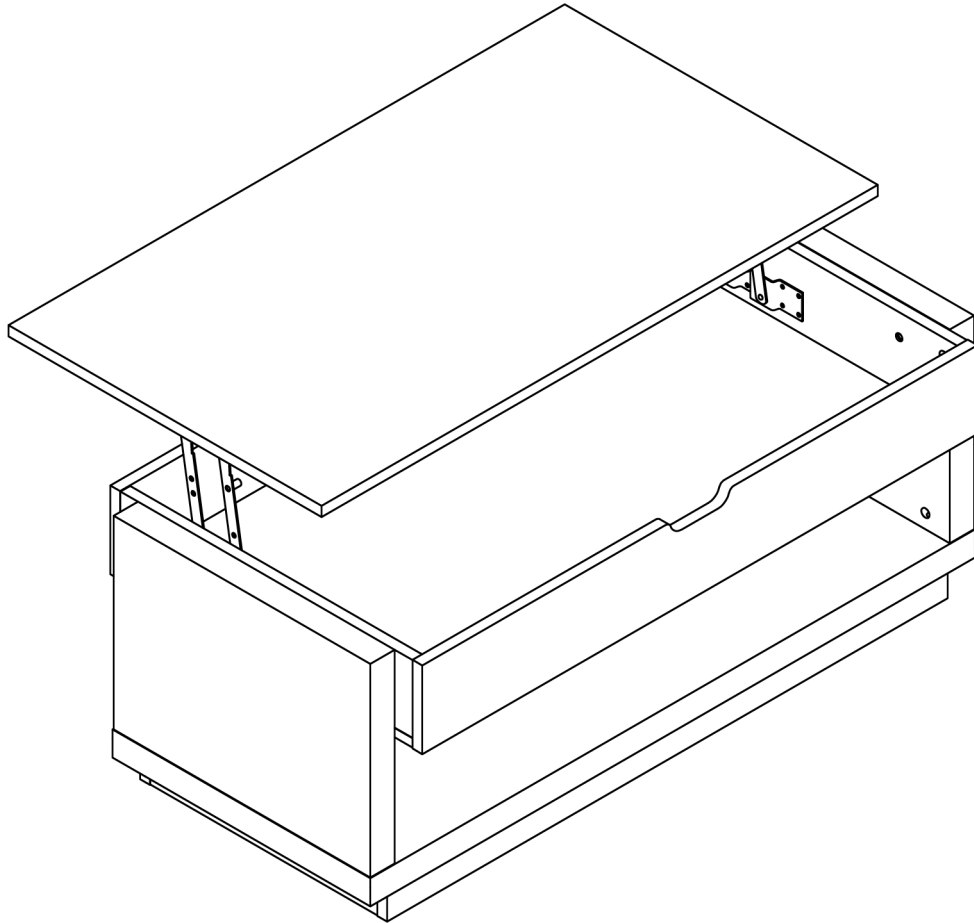


# Coffee Table



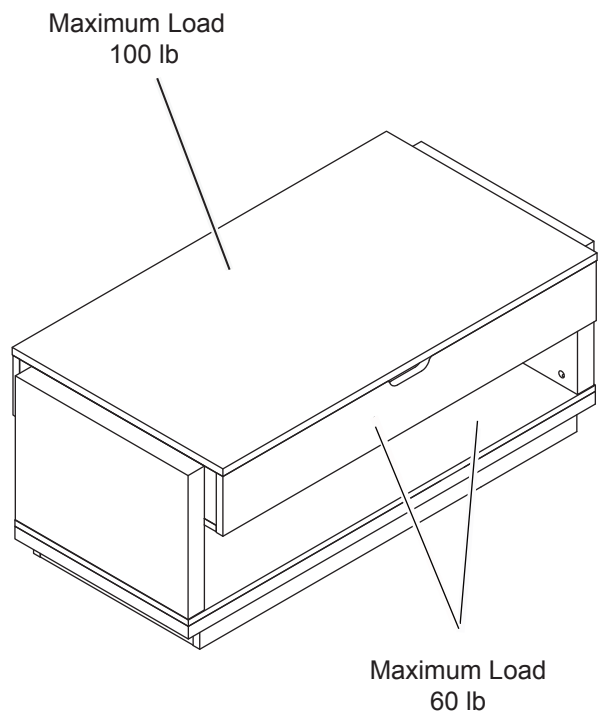
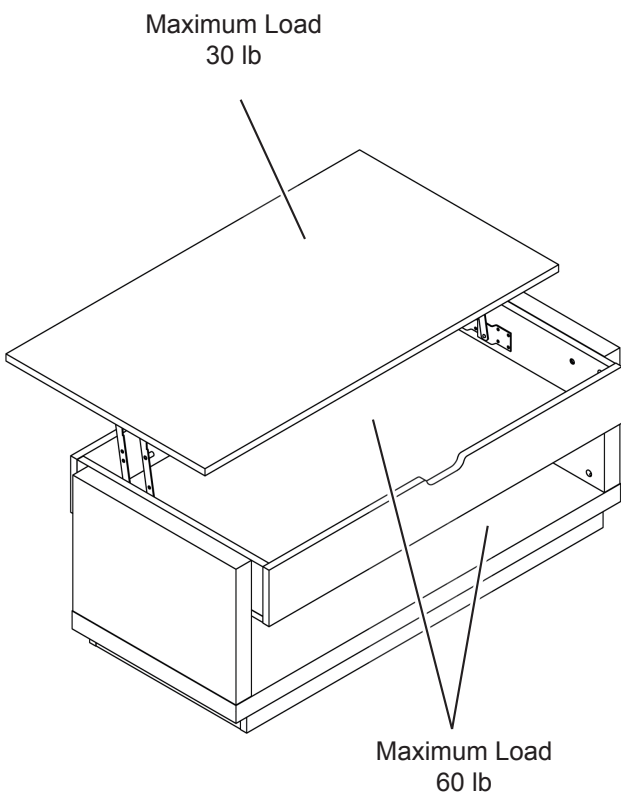


Estimated time for assembly:

**60 mins**



Weight limitations are as follows:





Assemble the furniture on an empty carton, carpet, or rug to prevent scratches or damage.

For safety, please keep pets and children away from the assembly area.

Ensure the product is fully assembled before use. If you are missing any hardware or products, do not use it until you have restored the missing parts.



This furniture requires 2 people for assembly.

Read this instruction manual prior to assembly to familiarize yourself with the various steps.

Lay out all components and hardware separately on a flat surface and make sure that no parts are missing or damaged before assembly. Do not destroy or discard any packaging until you are certain that you have all the necessary parts for assembly.

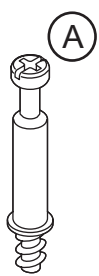
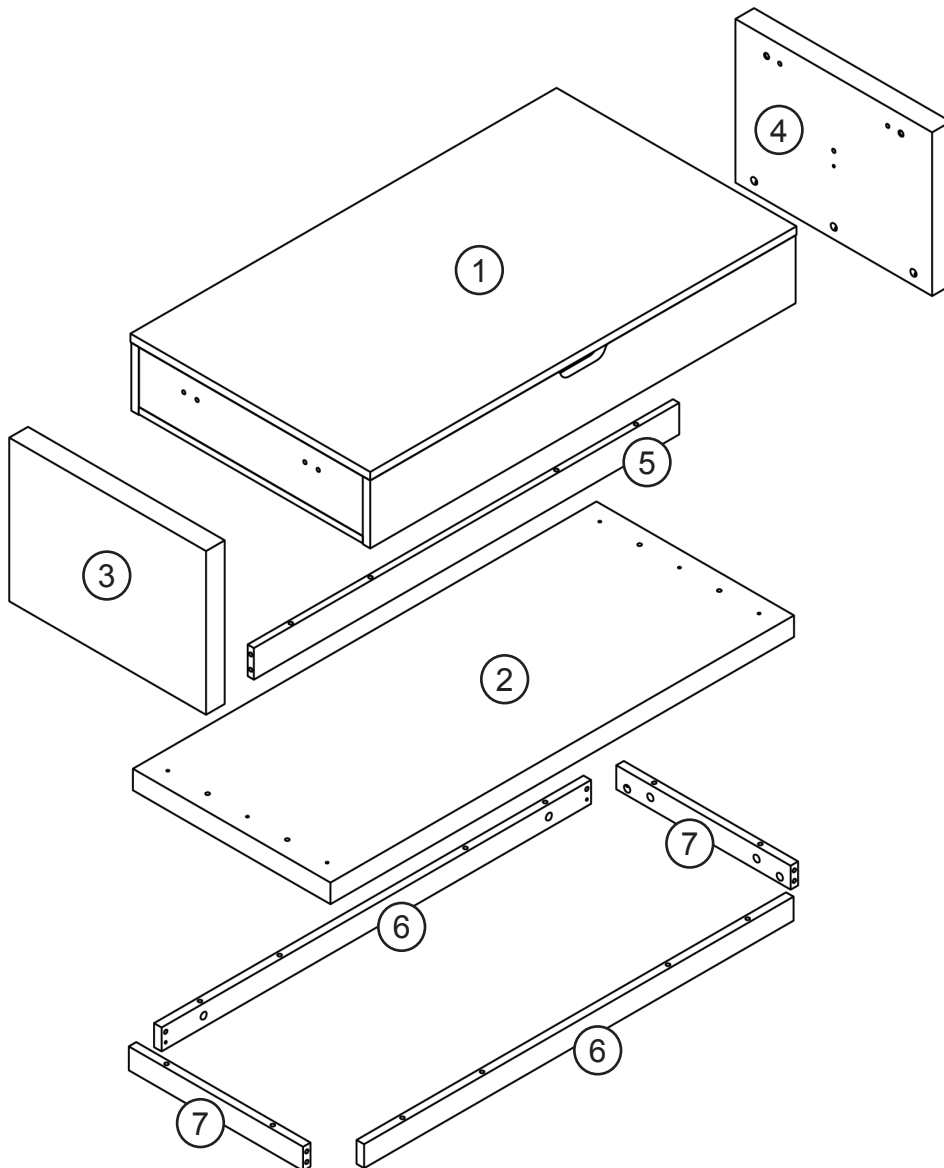
Hand tight all hardware and careful not to over tighten to avoid damaging the product.

## **CAUTION**

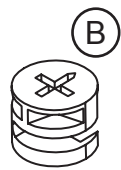
There are small components used in the construction of this product. Loose items should be kept away from pets and children to avoid a choking hazard.

Keep all plastic bags and packaging film away from pets and children to avoid suffocation.

# PACKAGE CONTENTS



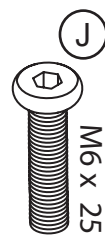
22x + 2x



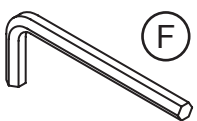
22x + 2x



20x + 2x



M6 x 25  
4x



1x



Install all hardware perpendicular to the opening.

# PACKAGE CONTENTS

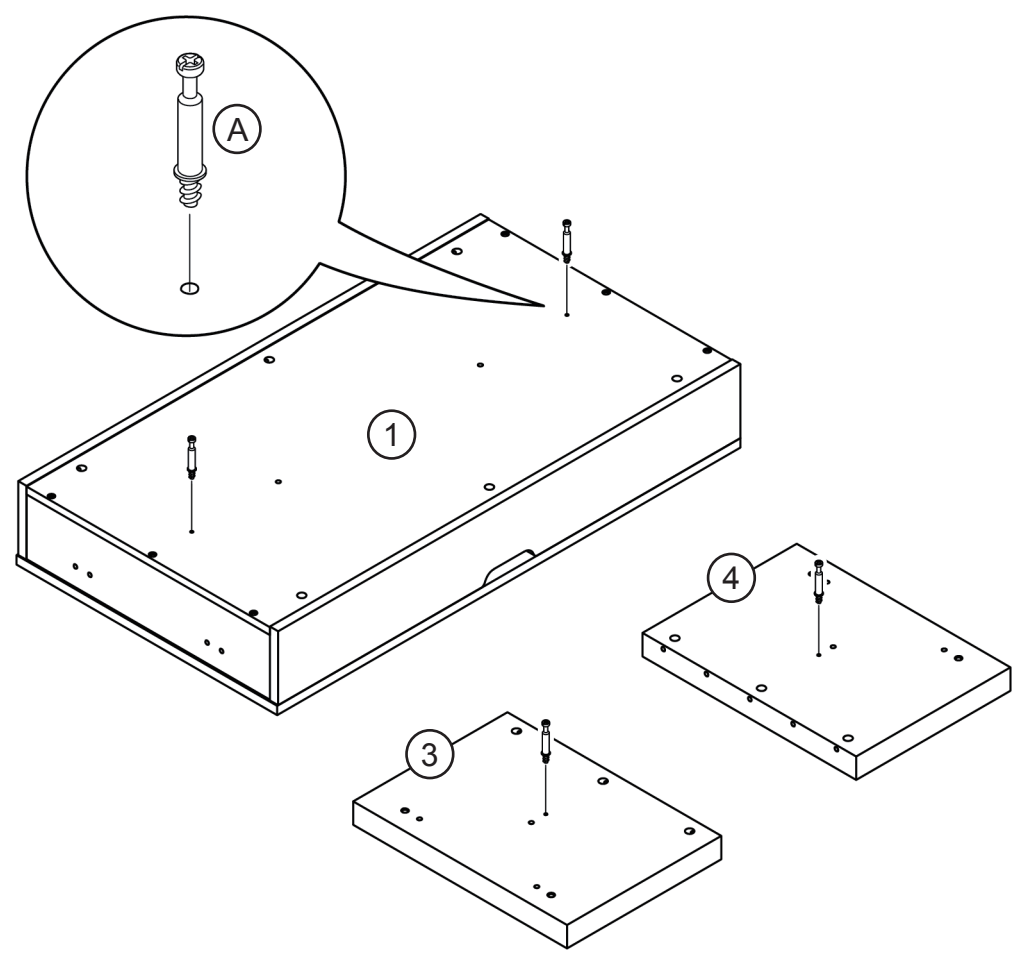
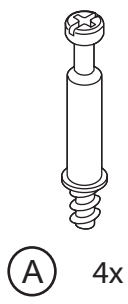
CODE	DESCRIPTION	QTY
1	Upper Storage Box	1
2	Bottom Panel	1
3	Left Panel	1
4	Right Panel	1
5	Crossbar	1
6	Long Base Panel	2
7	Short Base Panel	2

Required tools for assembly (Not included)



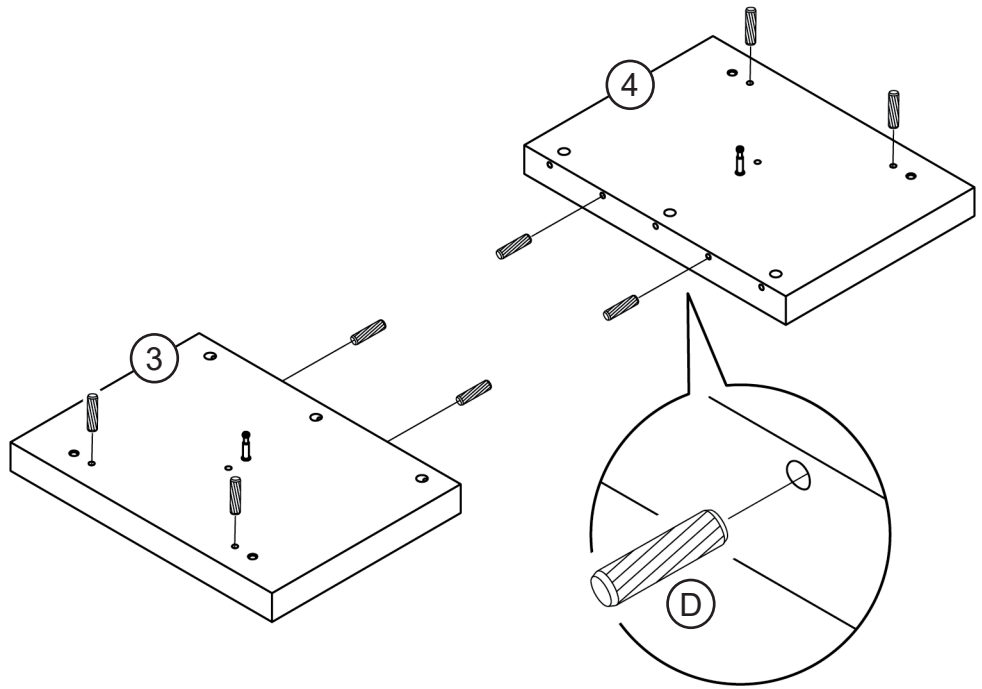
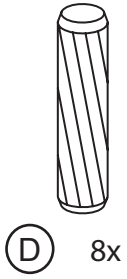
1

Attach cam bolts to the underside of the upper storage box (1) and the side panels (3, 4).



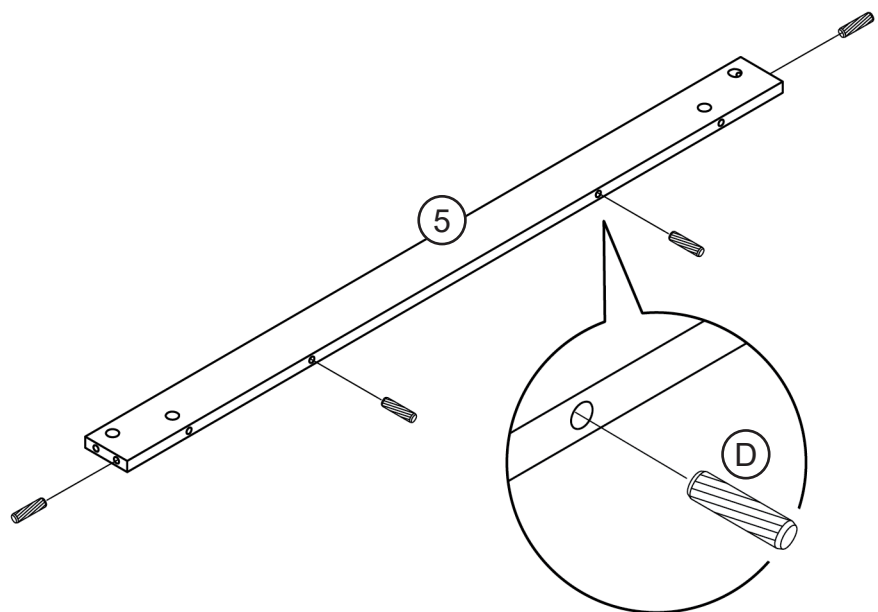
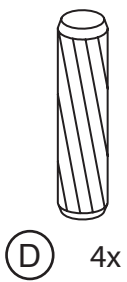
# 2

Insert wood dowels to the side panels (3, 4).



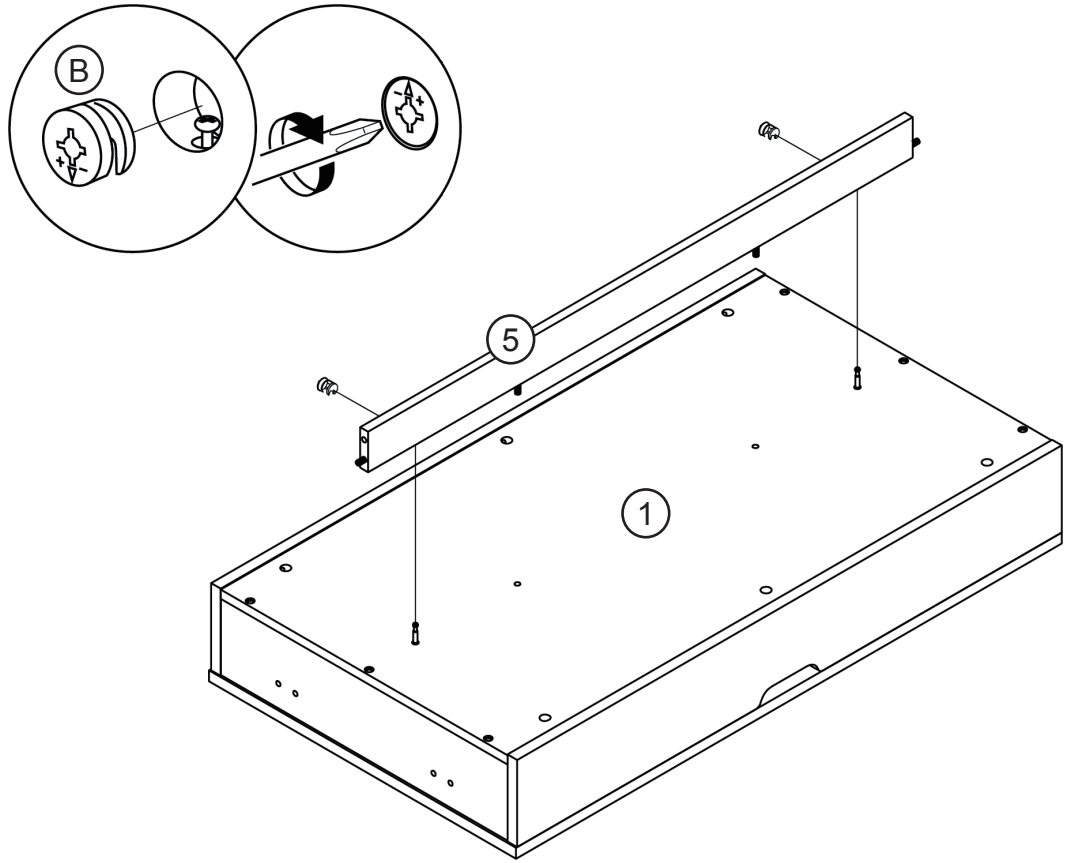
# 3

Insert wood dowels to the crossbar (5).



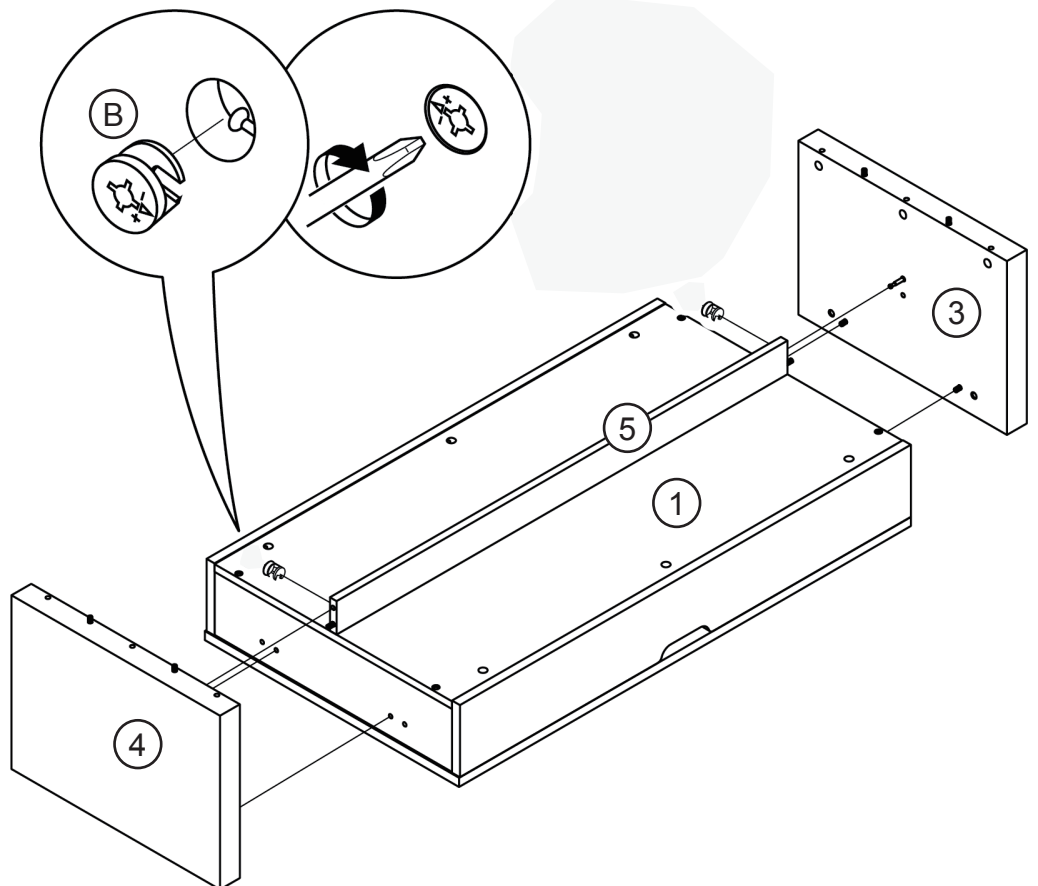
# 4

Attach the crossbar (5) underneath the upper storage box (1).



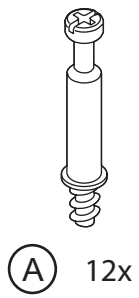
# 5

Assemble the upper storage box between the side panels (3, 4).

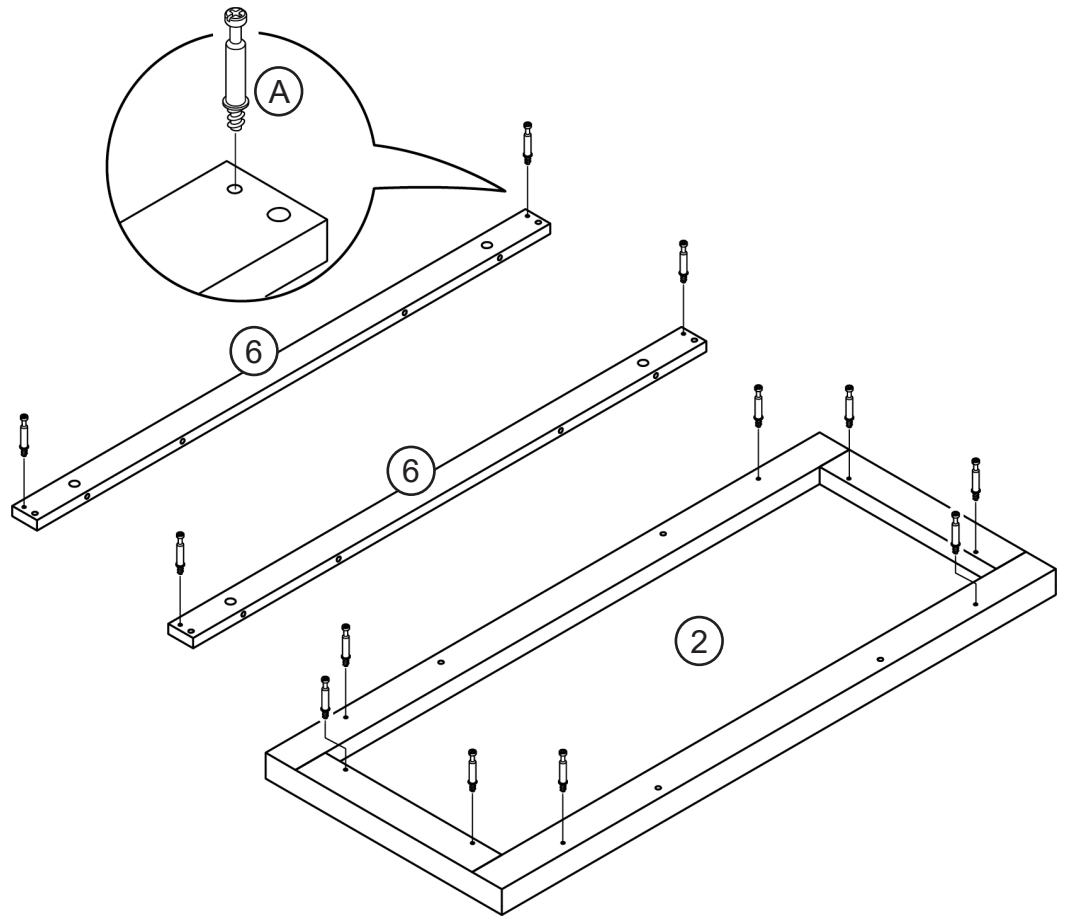


# 6

Attach cam bolts to the bottom panel (2) and the long base panels (6).

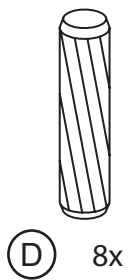


(A) 12x

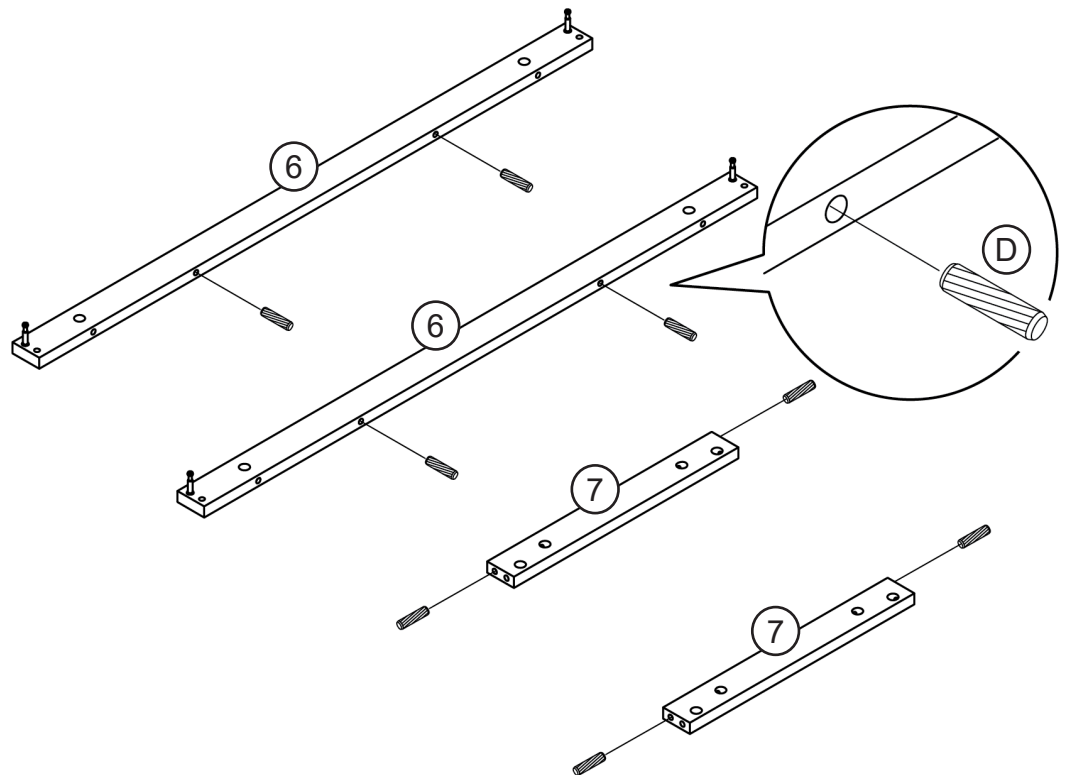


# 7

Insert wood dowels to the long base panels (6) and short base panels (7).

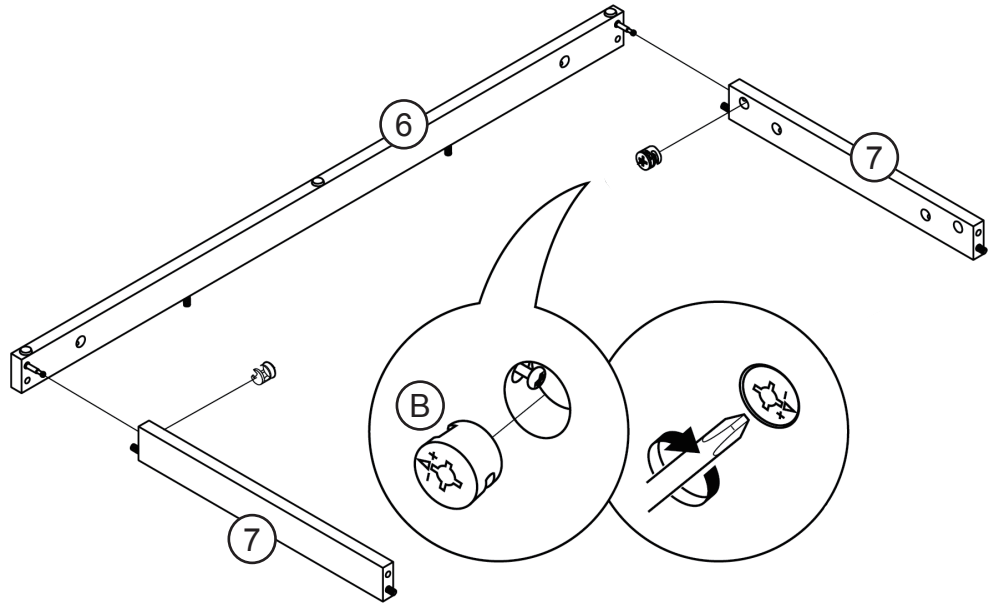


(D) 8x



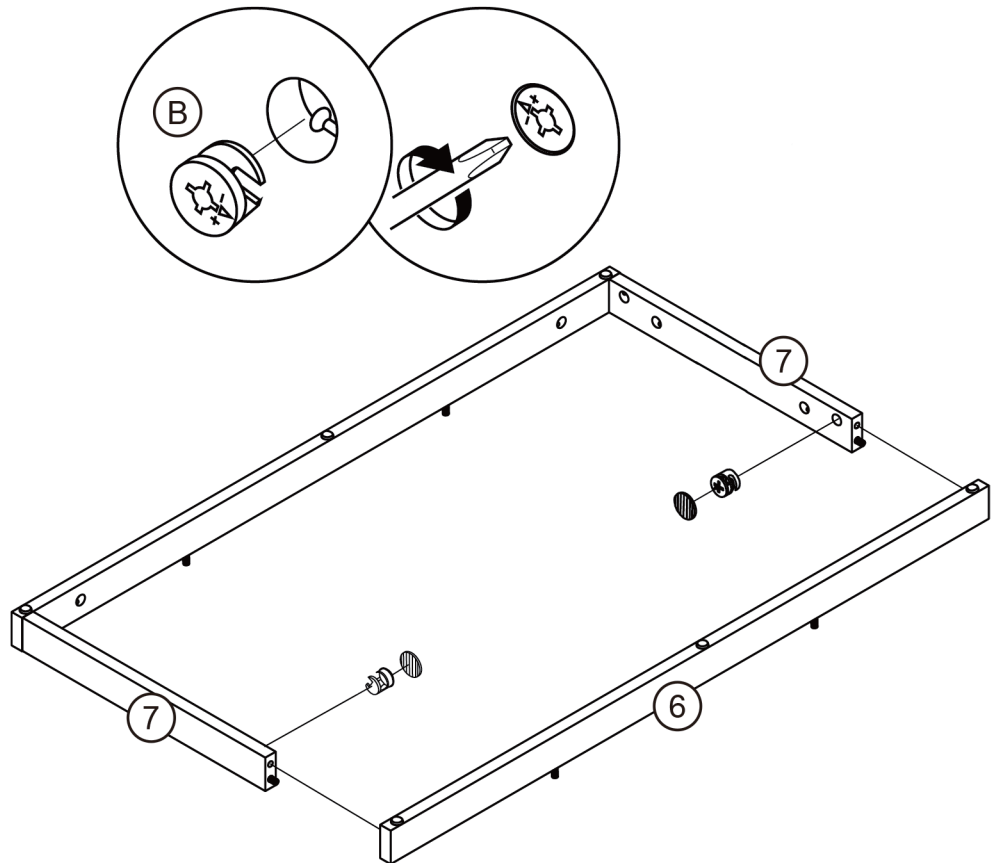
# 8

Assemble the short base panels (7) to one of the long base panel (6).



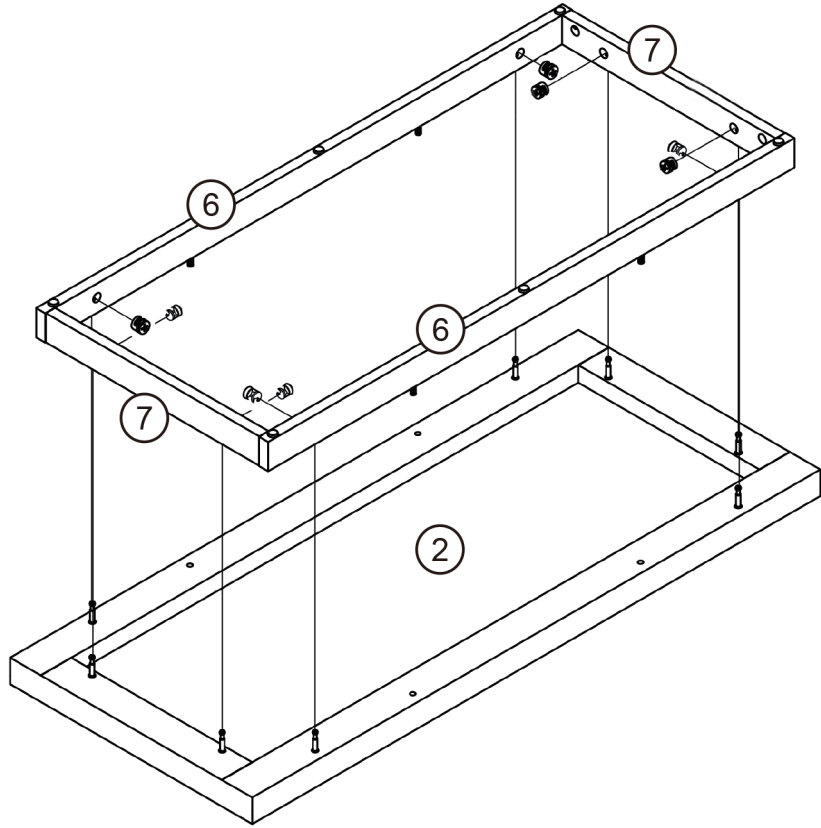
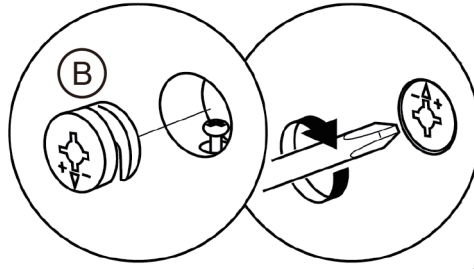
# 9

Assemble the remaining long base panel (6) to the base assembly.



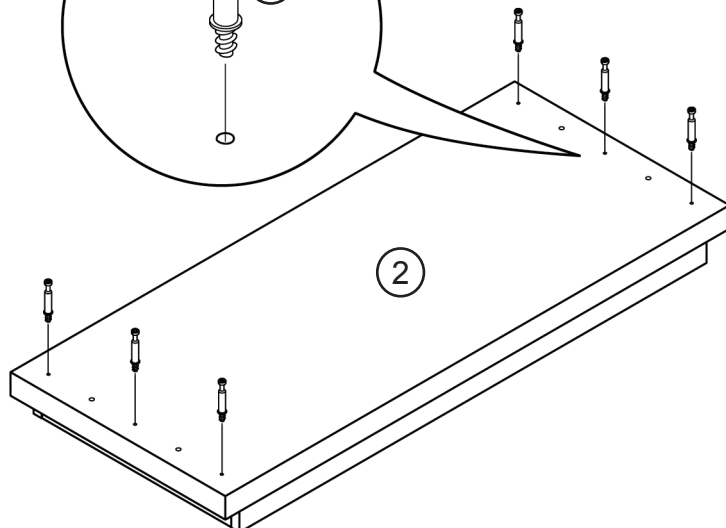
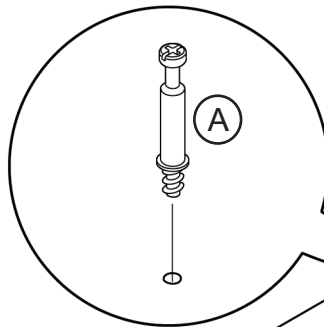
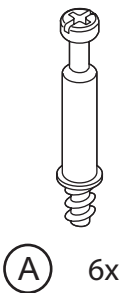
# 10

Assemble the base to the underside of the bottom panel (2).



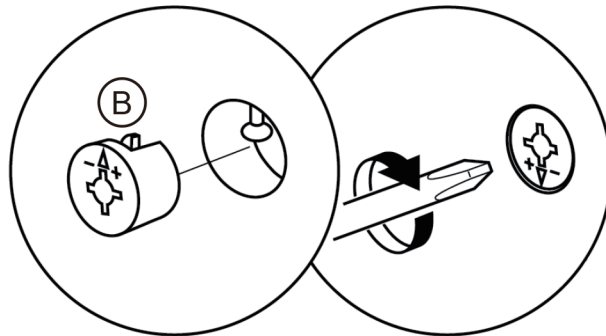
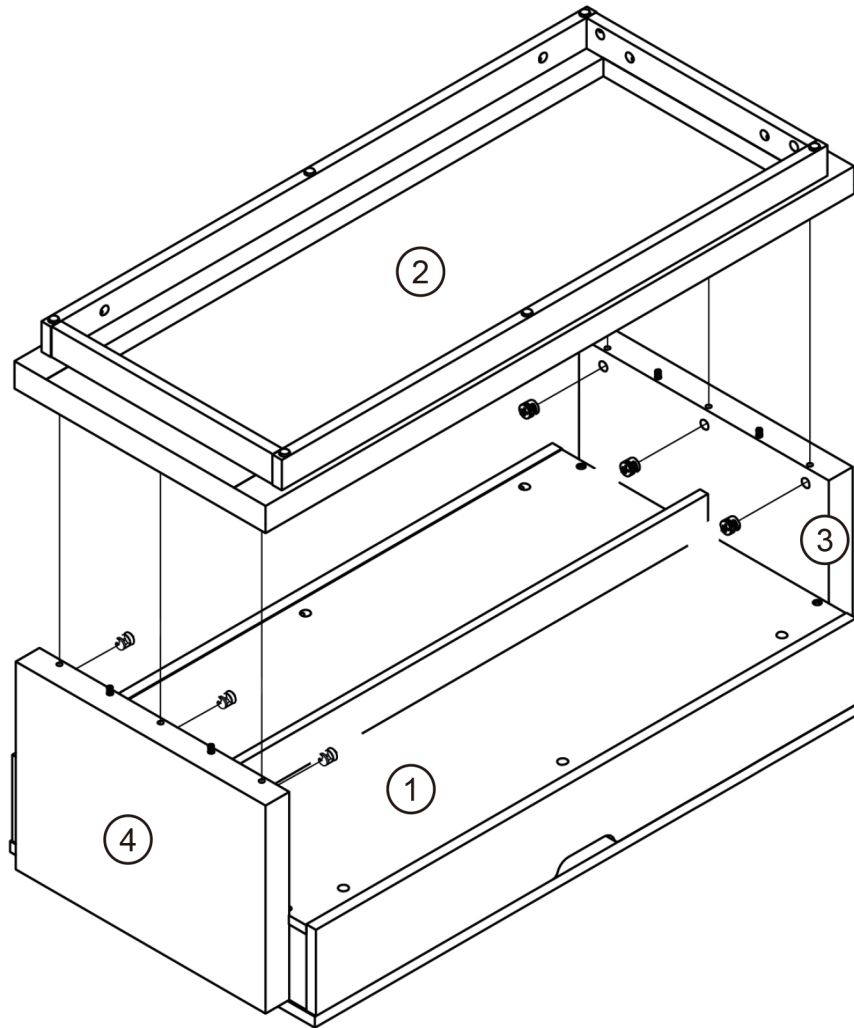
# 11

Attach cam bolts on top of the bottom panel (2).



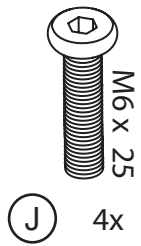
# 12

Assemble the bottom panel (2) to the side panels (3, 4).

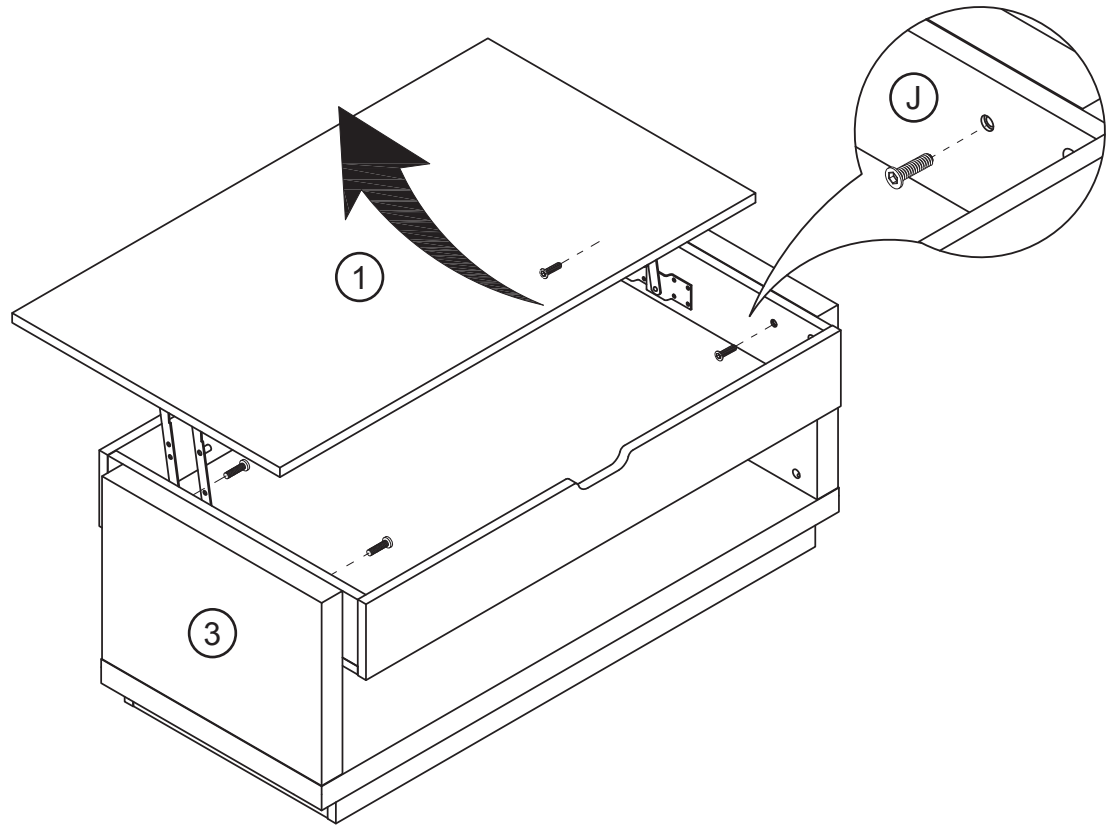


# 13

Place the coffee table on its upright position and further secure the upper storage box to the side panels.

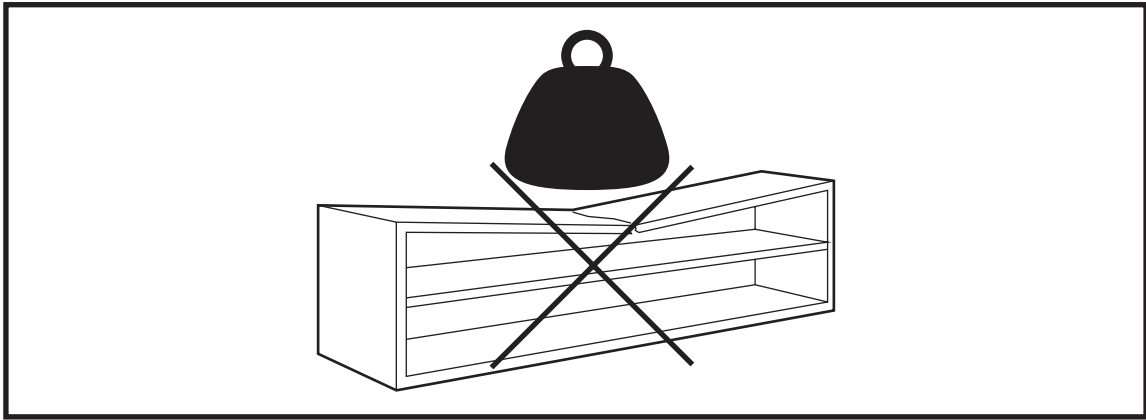


Lift up the top panel of upper storage box.



Note: The top panel of storage box can only be lifted from one direction.

## YOU'RE FINISHED!



## **Warning**

Only place items on top of the product if they meet the recommended size and weight limits.

Climbing on, stepping on, or placing overweighted objects on the product may cause property damage and/or injuries.

Items placed onto this product must be resting on a support surface without hanging over the edges.

## FURNITURE CARE AND MAINTENANCE

### Medium - Density Fiberboard

Thank you for your purchase. We want your item to last as long as possible. To ensure the product gives you years of longevity, please follow the recommendations in this care and maintenance guide.



#### MAINTENANCE

- Tighten all bolts and screws again within the first 2 weeks of assembly.
- Check the tightness of all bolts every 2 months and tighten them if necessary.



#### CLEANING

- Clean the surface of the MDF (medium - density fiberboard) with a lightly dampened cloth.
- A small amount of mild soap can be used if necessary.
- Dry the surface immediately after cleaning.

⚠ DO NOT use bleach or alcohol to clean the surface.

⚠ DO NOT apply wood treatment on parts made with MDF.

MDF will swell and distort when exposed to water damage. Make sure to dry the furniture immediately after cleaning.

### ⚠ WARNING

The manufacturer and seller are not responsible for any and all liability relating to personal injury, property damage or losses, whether direct, indirect, or incidental, resulting from the incorrect attachment, improper use, inadequate maintenance, unapproved modification or neglect of this product.

# WARRANTY

Products come with a 1-year warranty from the date of delivery. **Register your product on our website to enjoy our limited lifetime warranty!**

## AFTER-SALE SERVICE



Encounter any difficulties or missing parts?



Contact us



We will send you replacement.



Hassle free!  
No need to worry about repackaging and sending your item back.