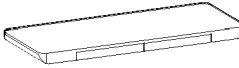
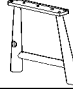






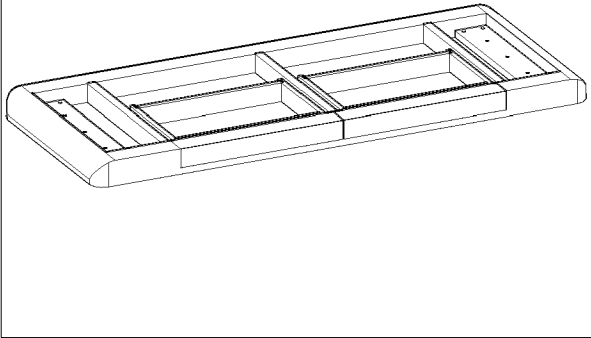
## ASSEMBLY INSTRUCTION

### DESK

| S. No. | Product Image  | Description       | Qty. |
|--------|--|-------------------|------|
| 1.     |  | Wood Top          | 1    |
| 2.     |  | Wood Leg          | 2    |
| 3.     |  | Wood Support      | 01   |
| 4.     |  | Bolt (8mm x 35mm) | 14   |
| 5.     |  | Washer            | 14   |
| 6.     |  | AllenKey          | 01   |

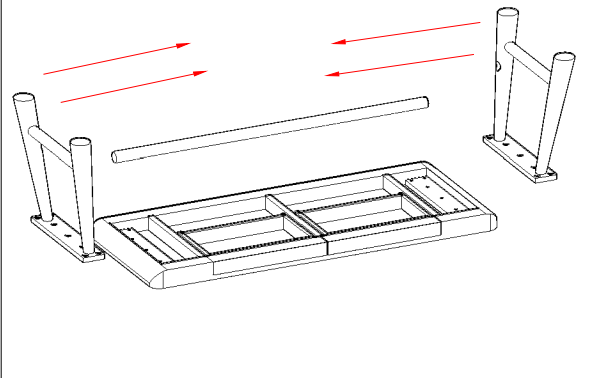
1

Step-1



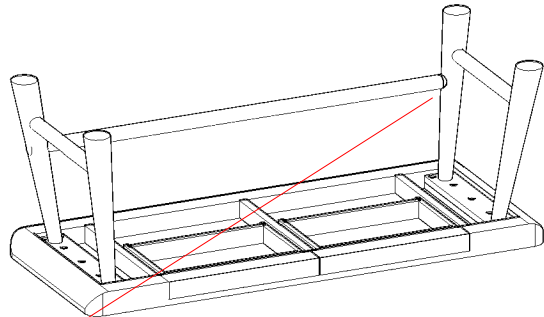
2

Step-2



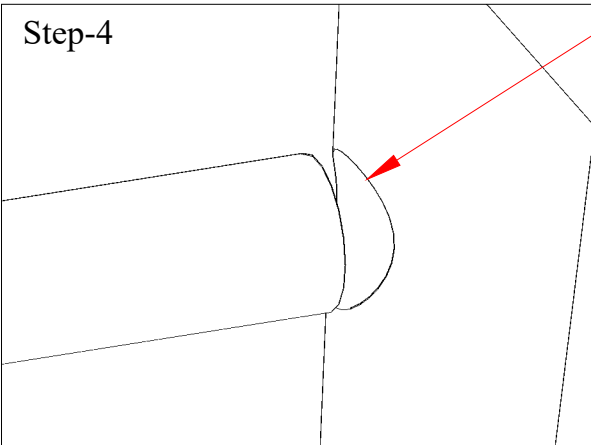
3

Step-3



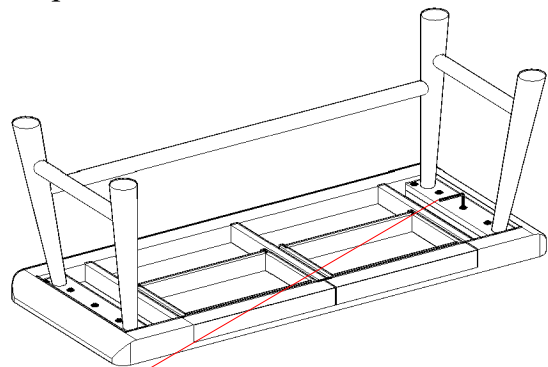
4

Step-4



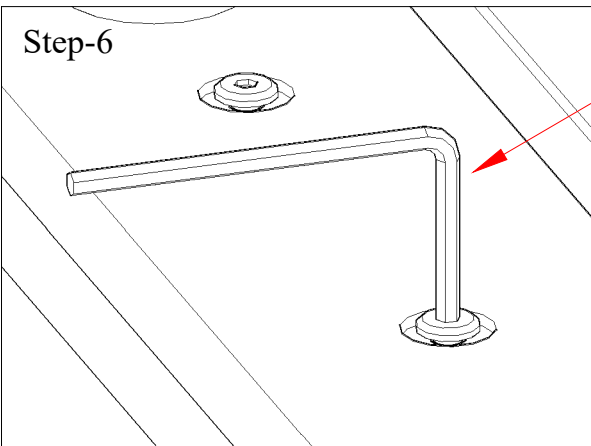
5

Step-5



6

Step-6



7

Step-7

