

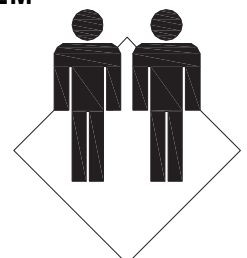
USER'S MANUAL

THIS INSTRUCTION BOOKLET CONTAINS **IMPORTANT** SAFETY INFORMATION. PLEASE READ AND KEEP FOR FUTURE REFERENCE.

Please give us a chance to make it right and do better!


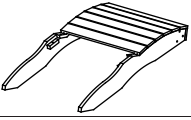


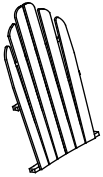


Contact our friendly customer service department for help first.
Replacements for missing or damaged parts will be shipped ASAP!

**FLOOR AREA
2MX2M**




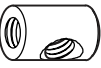



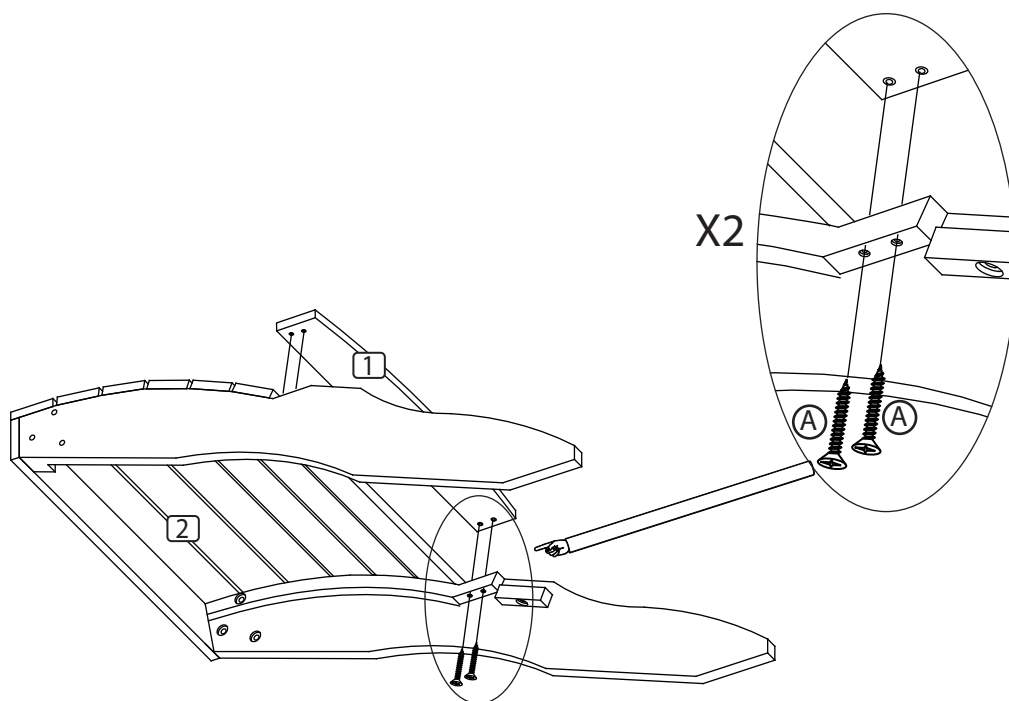
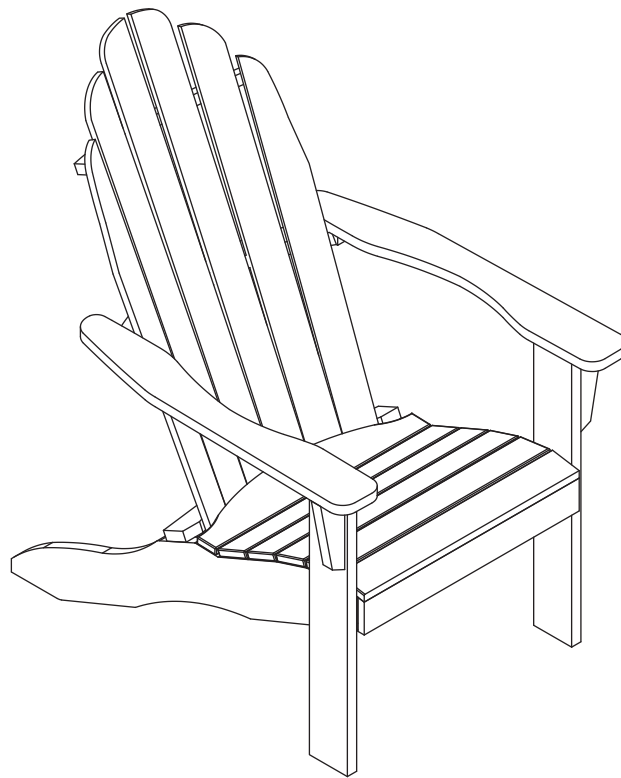
ASSEMBLED BY 2 ADULTS

PARTS LIST

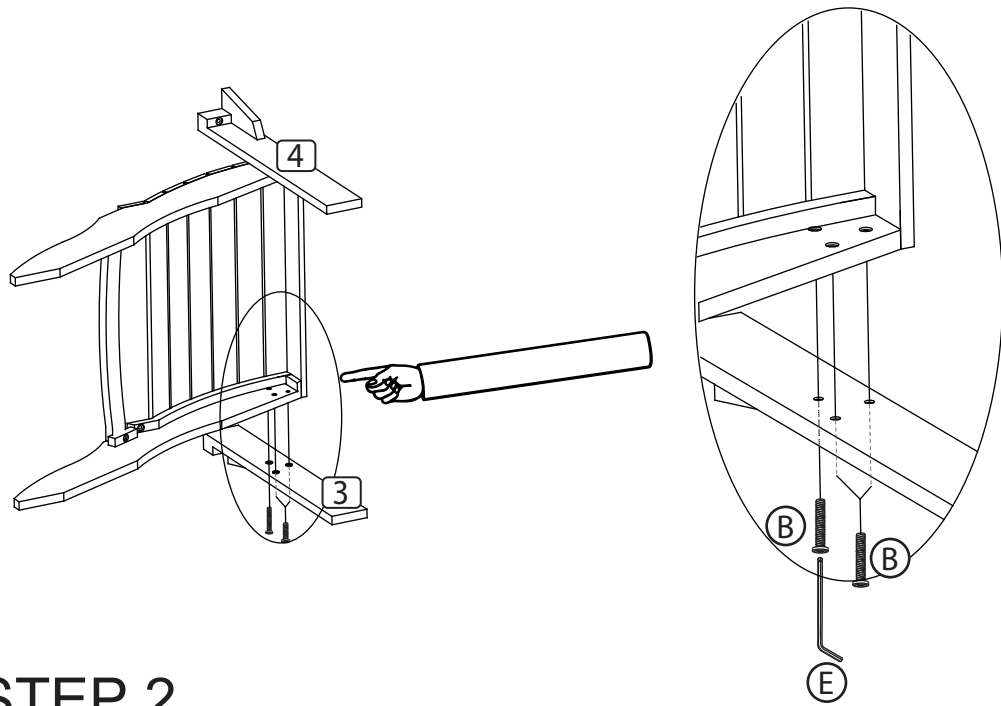
LABEL	PICTURE	DESCRIPTION	QTY
1		Seat Slat	1
2		Seat	1
3		Left Leg	1
4		Right Leg	1
5		Backrest	1
6		Left Armrest	1
7		Right Armrest	1

HARDWARE LIST

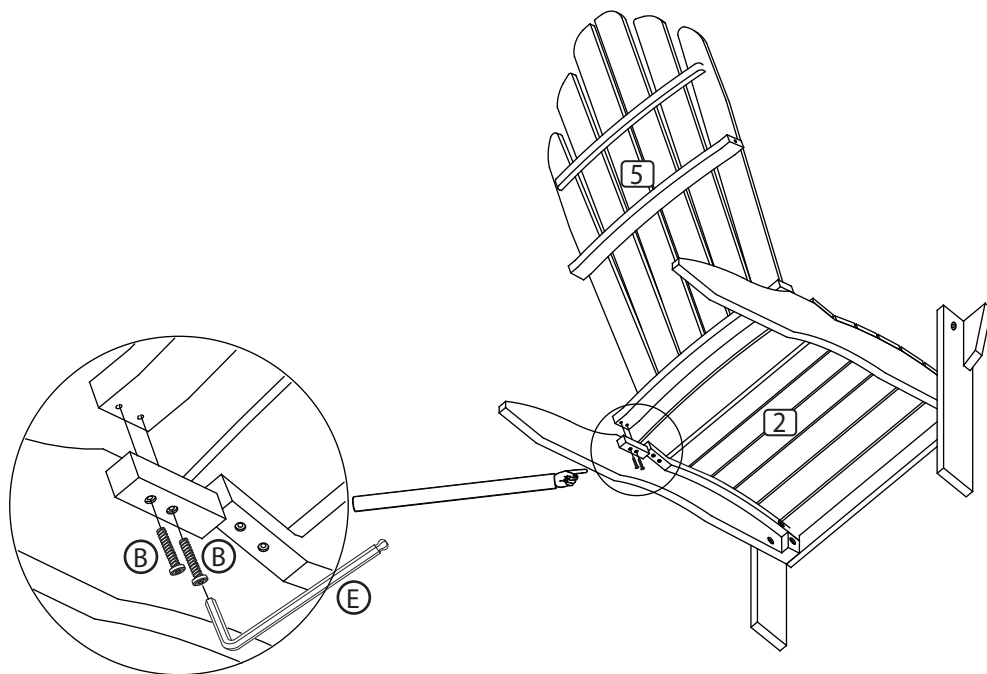
LABEL	PICTURE	DESCRIPTION	QTY
A	 M4 x 25mm	Wood Screw	4
B	 M6 x 30mm	Allen Bolt	13
C	 M6 x 60mm	Allen Bolt	2
D	 M6	Cross Dowel	2
E		Allen Key	2



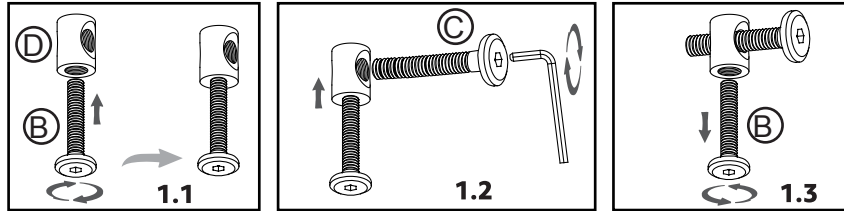
STEP 1



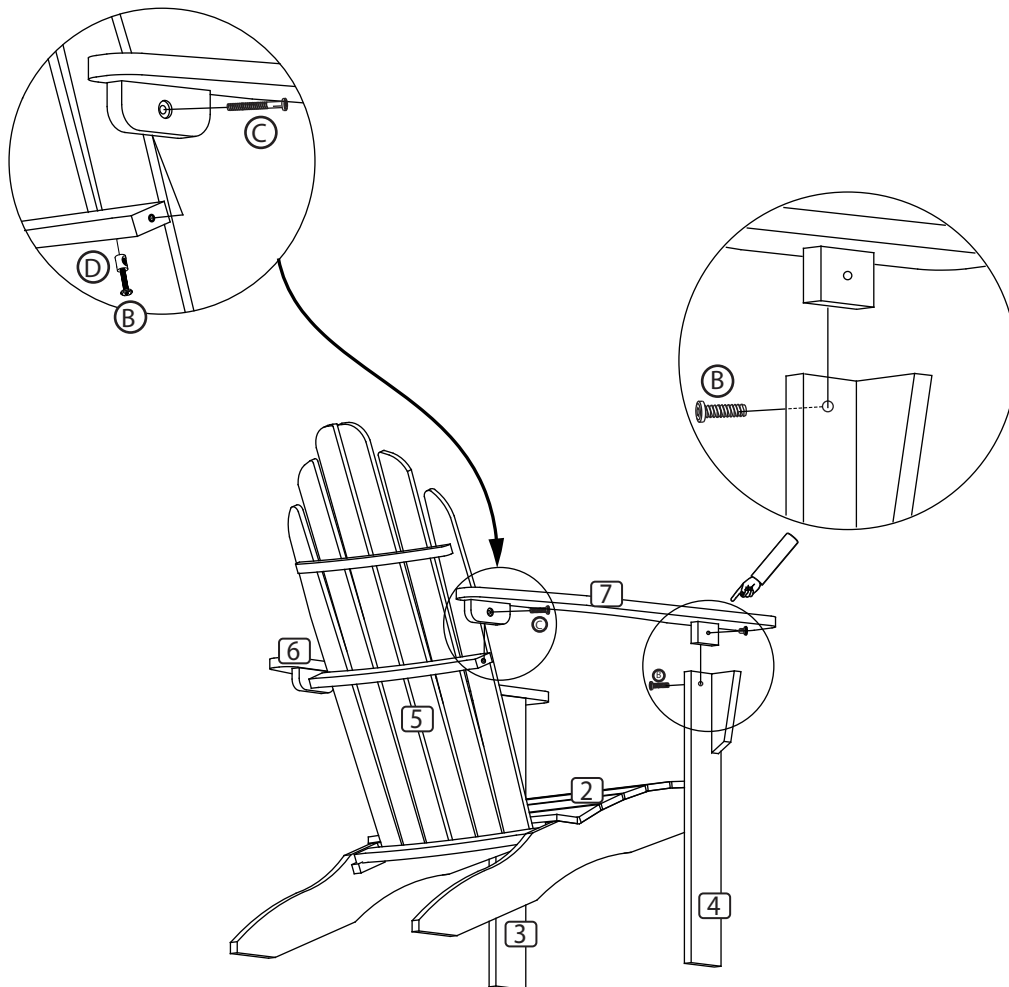
STEP 2



STEP 3



- 1.1 Insert Cross dowels (D) into the holes of backrest using the bolt (B),
 1.2 fix and tighten Bolt (C)
 1.3 Remove Bolt (B)



STEP 4

