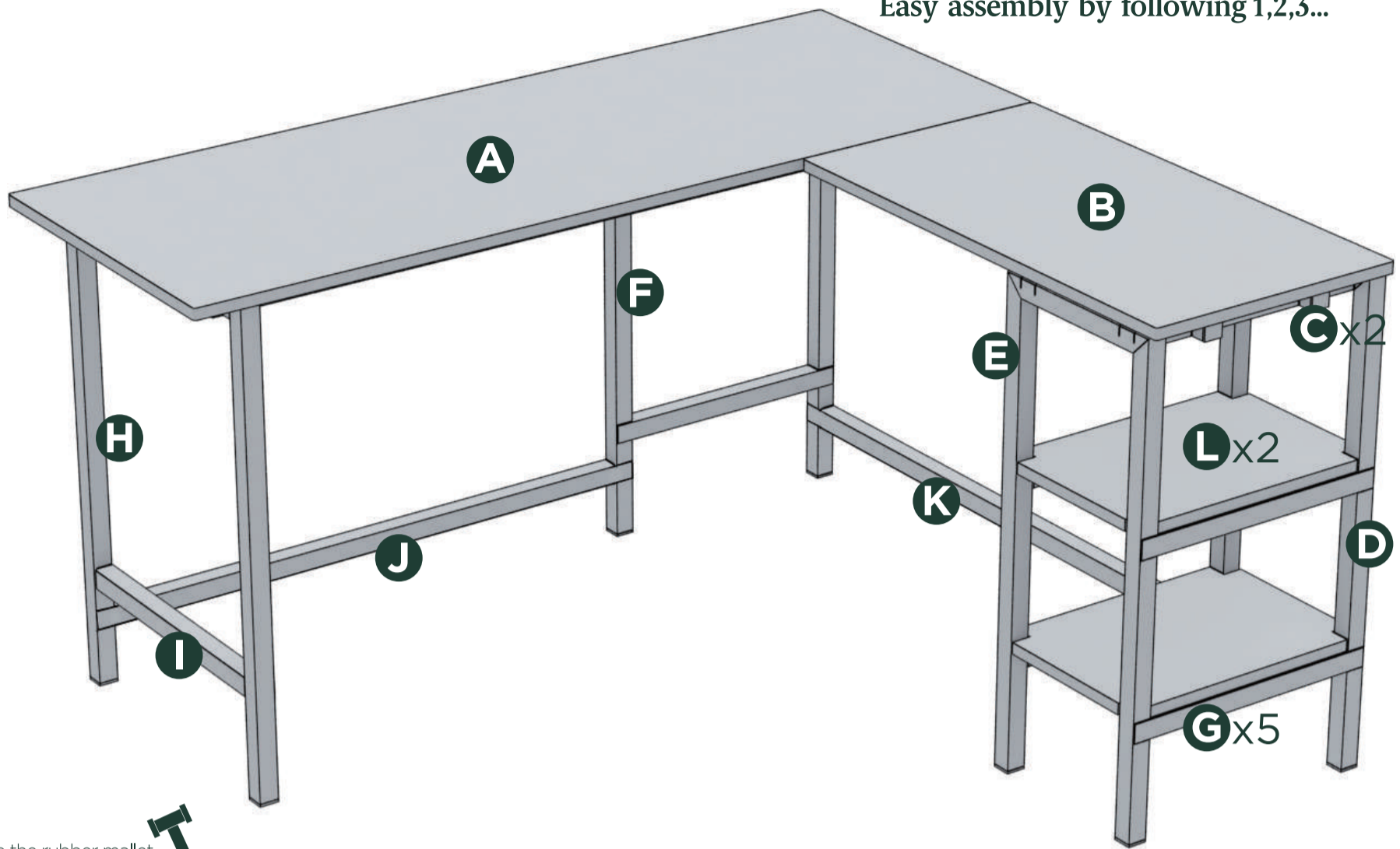


Numbering System

Easy assembly by following 1,2,3...

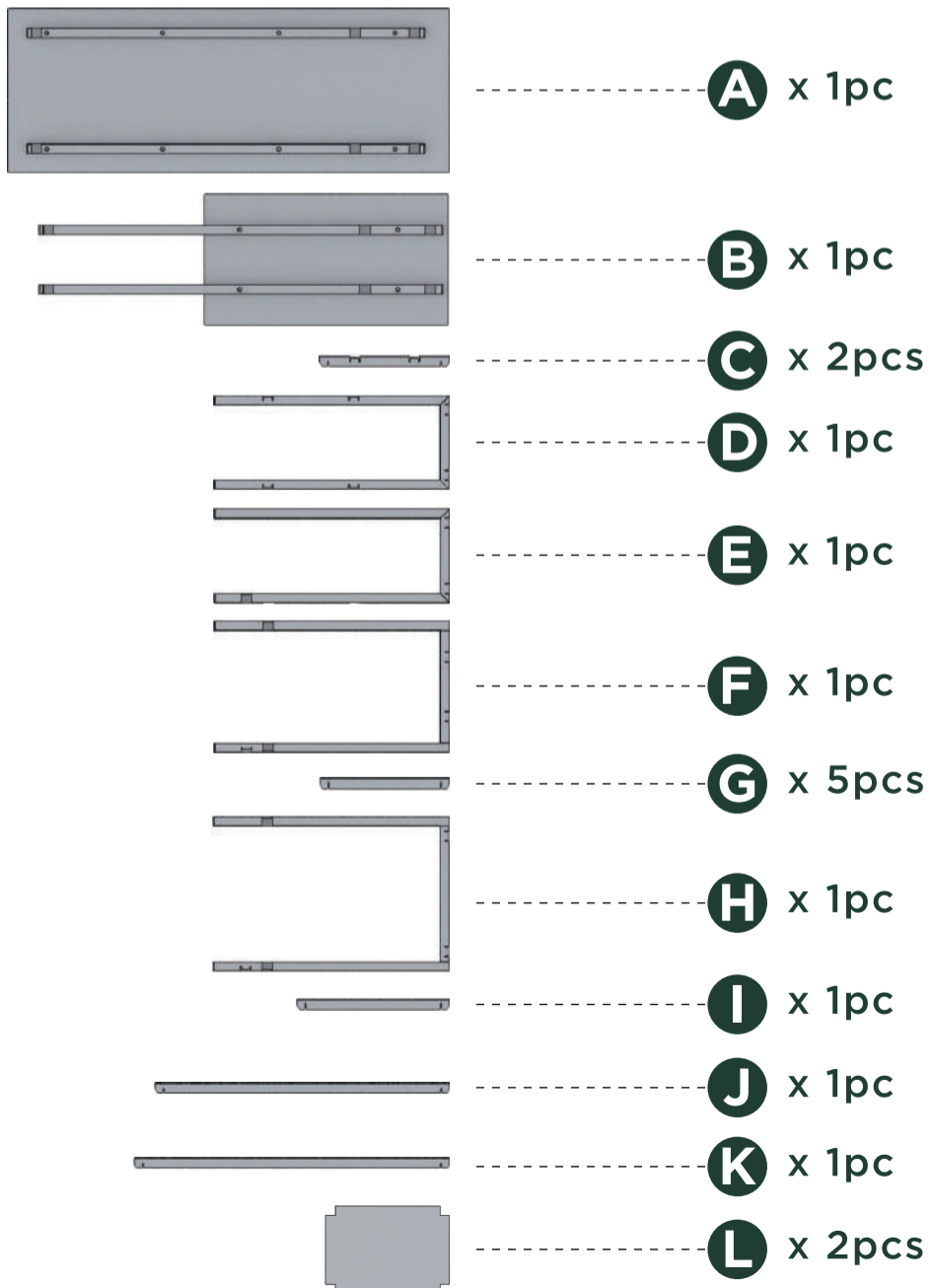


*Please use the rubber mallet to secure all connection points.



Urban L shaped Desk with Shelves

Components

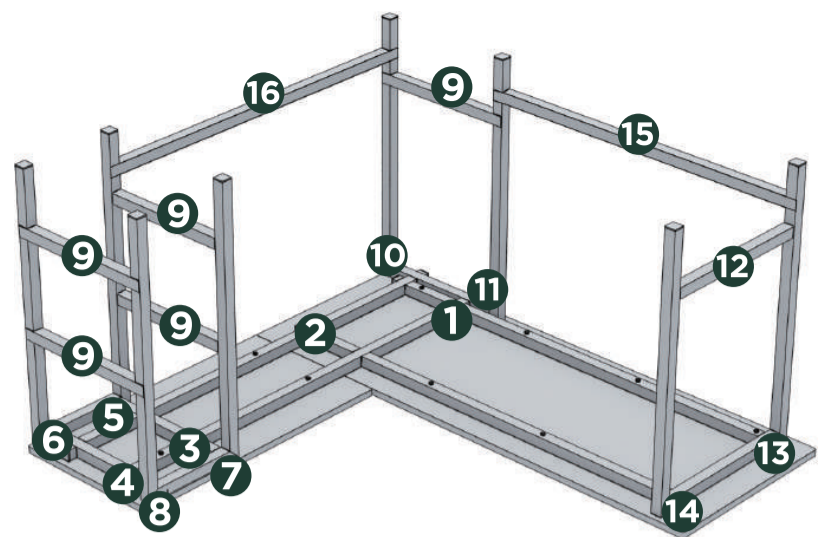


Easy as 1 2 3

Assembly Instruction

Numbers must Match for Secure Assembly

1 2 3 ... 16



Urban Lshaped Desk
with Shelves

