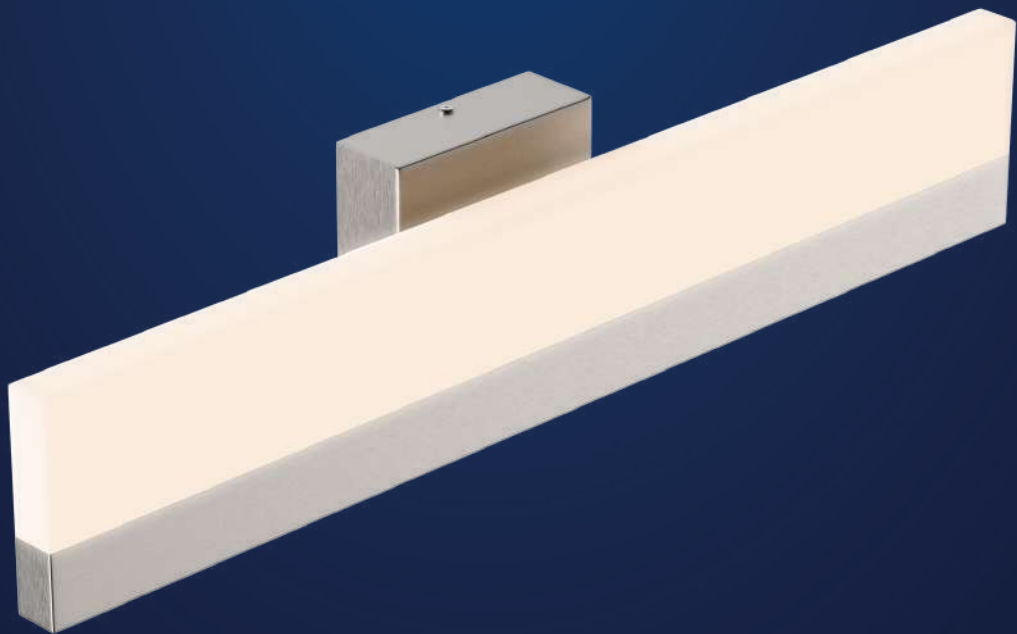




LED Vanity Lights

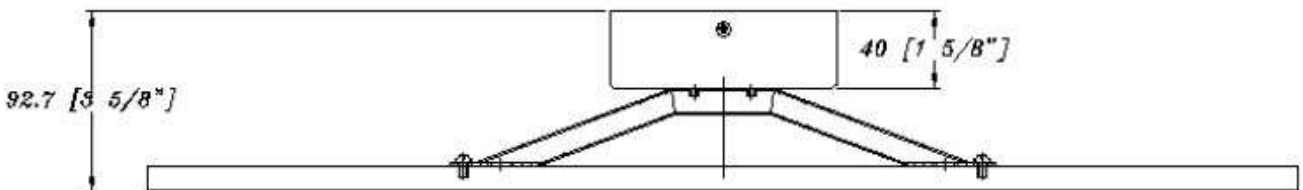
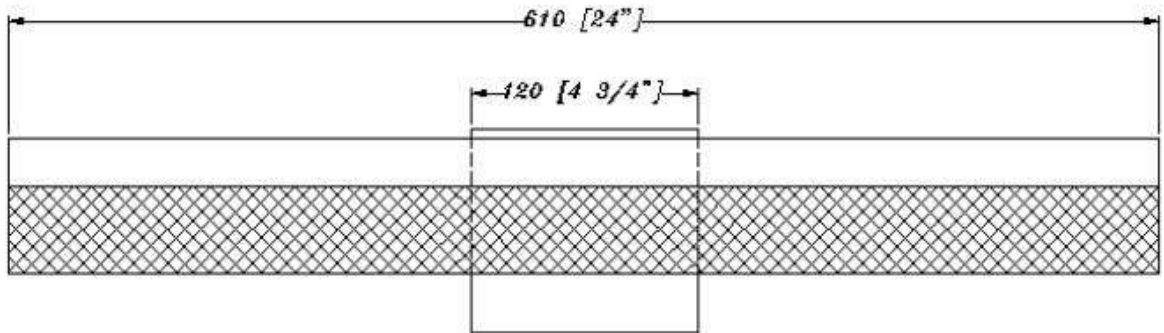


**LIGHT SPECIFICATIONS
LED VANITY FIXTURE**

SPECIFICATIONS



| | |
|-----------------------|------------------------|
| •Product Model | IVA-VL05DC25-24IN-40BN |
| •WATTS | 25W |
| •LUMENS | 1500LM |
| •COLOR TEMPERATURE | 4000K |
| •CRI | RA>80 |
| •VOLTAGE | 120V DIMMABLE |
| •IP RATED | ETL DAMP LOCATION |
| •OPERATING TEMPRATURE | -20~45°C |
| •MATERIAL | STEEL+ ACRYLIC |
| •FINISH | BRUSHED NICKEL |
| •MOUNTING | WALL MOUNTING |
| •SHADE SHAPE | RECTANGLE |
| •SHADE MATERIAL | ACRYLIC |
| •SHADE COLOR | WHITE |
| •WARRANTY | 5-YEAR LIMITED |
| •FIXTURE SIZE | 24"X4-3/4"x3-5/8" |
| • CASE QUANTITY | 6 PACK |
| • INNER CARTON SIZE | 65.5x13x14.2CM |
| • NET WEIGHT | 1.18 KG |
| • GROSS WEIGHT | 1.46KG |
| • MASTER CARTON SIZE | 67x41.5x30.5CM |
| • NET WEIGHT | 7.08KG |
| • GROSS WEIGHT | 9.70KG |

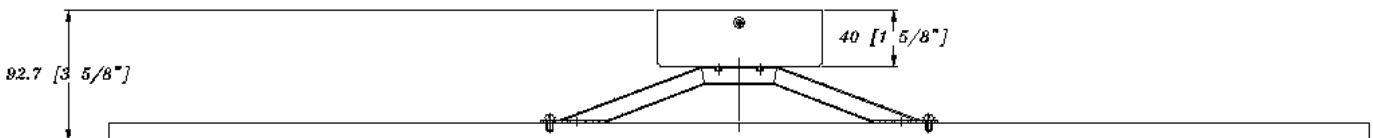
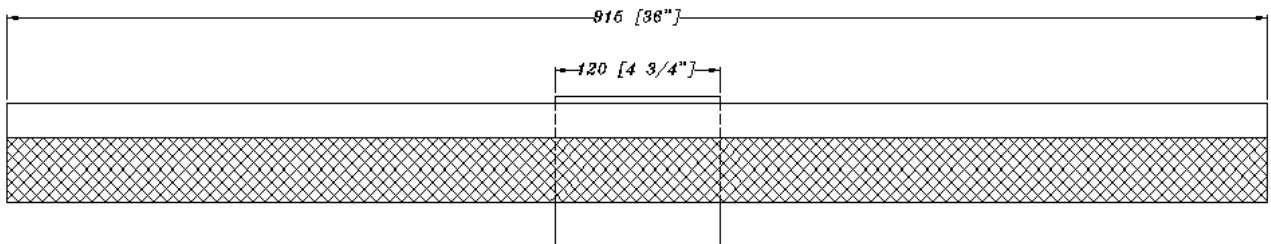


**LIGHT SPECIFICATIONS
LED VANITY FIXTURE**

SPECIFICATIONS



| | |
|-----------------------|------------------------|
| •Product Model | IVA-VL05DC30-36IN-40BN |
| •WATTS | 30W |
| •LUMENS | 1900LM |
| •COLOR TEMPERATURE | 4000K |
| •CRI | RA>80 |
| •VOLTAGE | 120V DIMMABLE |
| •IP RATED | ETL DAMP LOCATION |
| •OPERATING TEMPRATURE | -20~45°C |
| •MATERIAL | STEEL+ ACRYLIC |
| •FINISH | BRUSHED NICKEL |
| •MOUNTING | WALL MOUNTING |
| •SHADE SHAPE | RECTANGLE |
| •SHADE MATERIAL | ACRYLIC |
| •SHADE COLOR | WHITE |
| •WARRANTY | 5-YEAR LIMITED |
| •FIXTURE SIZE | 36"x4-3/4"x3-5/8" |
| • CASE QUANTITY | 6 PACK |
| • INNER CARTON SIZE | 96x13x14.2CM |
| • NET WEIGHT | 1.52 KG |
| • GROSS WEIGHT | 1.89KG |
| • MASTER CARTON SIZE | 97.5x41.5x30.5CM |
| • NET WEIGHT | 9.24KG |
| • GROSS WEIGHT | 12.88KG |



**LIGHT SPECIFICATIONS
LED VANITY FIXTURE**

SPECIFICATIONS



| | |
|-----------------------|------------------------|
| •Product Model | IVA-VL05DC35-48IN-40BN |
| •WATTS | 35W |
| •LUMENS | 2100LM |
| •COLOR TEMPERATURE | 4000K |
| •CRI | RA>80 |
| •VOLTAGE | 120V DIMMABLE |
| •IP RATED | ETL DAMP LOCATION |
| •OPERATING TEMPRATURE | -20~45°C |
| •MATERIAL | STEEL+ ACRYLIC |
| •FINISH | BRUSHED NICKEL |
| •MOUNTING | WALL MOUNTING |
| •SHADE SHAPE | RECTANGLE |
| •SHADE MATERIAL | ACRYLIC |
| •SHADE COLOR | WHITE |
| •WARRANTY | 5-YEAR LIMITED |
| •FIXTURE SIZE | 47-5/8"x4-3/4"x3-5/8" |
| • CASE QUANTITY | 6 PACK |
| • INNER CARTON SIZE | 126x13x14.2CM |
| • NET WEIGHT | 1.95 KG |
| • GROSS WEIGHT | 2.36KG |
| • MASTER CARTON SIZE | 127.5x41.5x30.5CM |
| • NET WEIGHT | 11.7KG |
| • GROSS WEIGHT | 15.76KG |

