

# Product Installation Manual

## Installation Instructions

1. Before installation, count the accessories of the storage cabinet and sort them properly!
2. Refer to the accessory list to check the quantity of accessories. If there are any missing items, please contact us promptly for a replacement. Be sure to ensure that all accessories are complete before starting the installation step by step, to avoid the situation of dismantling halfway through the installation with great effort!
3. The buckle and slot are precisely matched, and a little force is applied during installation to make the storage cabinet seamlessly sealed and more stable.

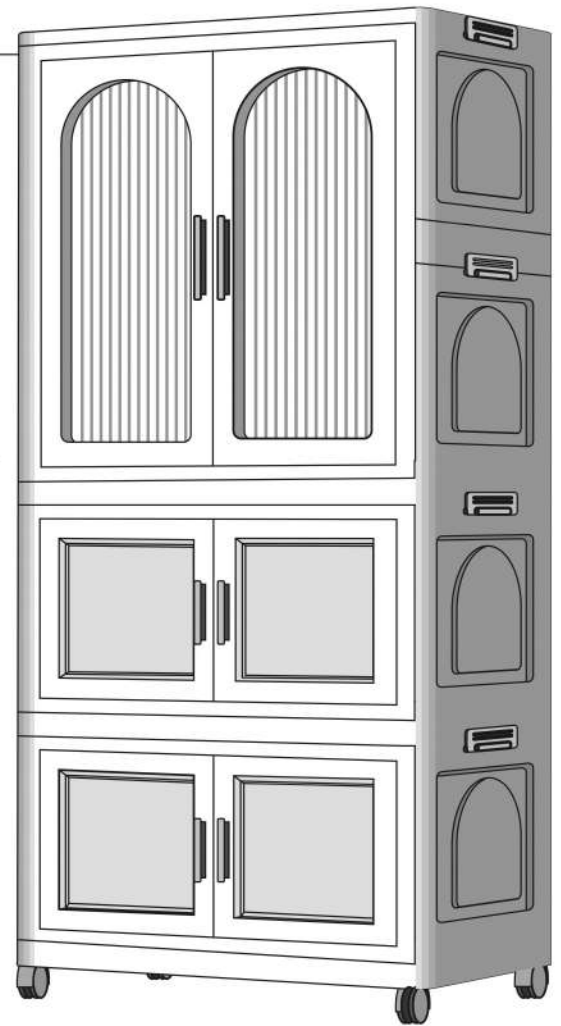
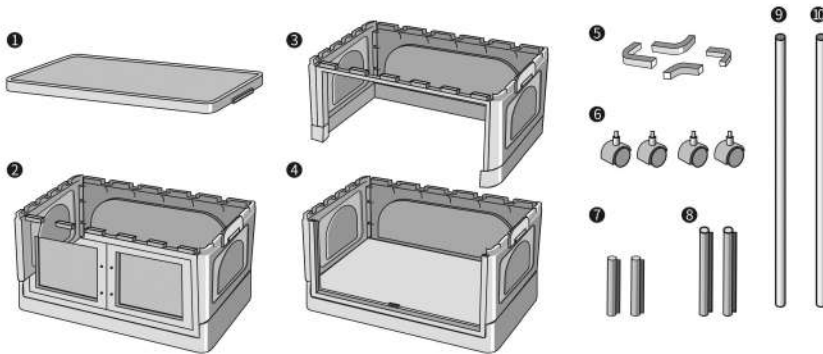
## Matters Needing Attention

1. The product is made of PP raw material and is prone to deformation when exposed to high temperatures. Please do not place it near heating elements such as furnaces;
2. For daily cleaning, do not use brushes, calcium carbonate powder, or other items. Instead, use a sponge dipped in neutral detergent to wipe, and then dry with a soft cloth;
3. The product has just been taken indoors from an outdoor temperature below 0 °C. Please let it sit for a period of time to ensure that the product temperature is above 0 °C before starting installation.

## Product components

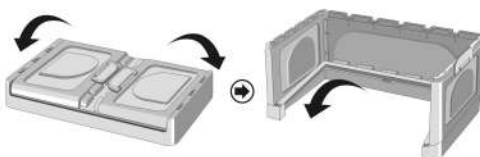
- ① Cover ② Small Door Box ③ Open The Upper Box Of The Large Door ④ Lower Level Box With Large Opening Door ⑤ L-shaped Pressure Angle

- ⑥ pulley ⑦ Small handle ⑧ Big handle ⑨ Hanging Clothes Pole (thick) ⑩ Load bearing rod (thin)



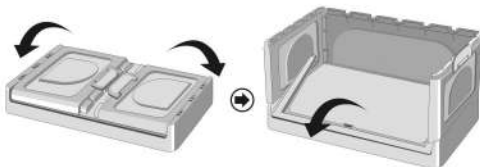
## Product installation process

### Open the upper box of the large door



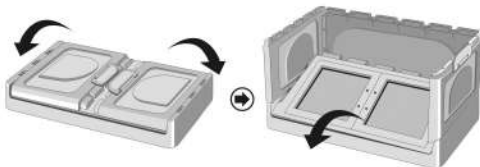
Open the side panel and back of the upper box of the large door outward, and then lock the buckle between the side panels

### Lower level box with large opening door

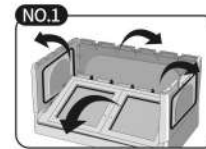
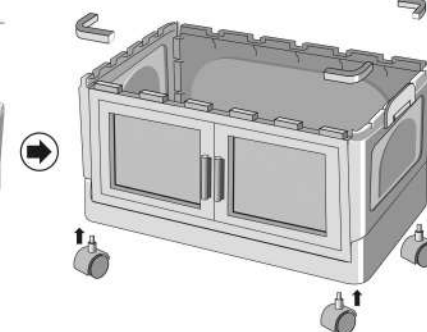
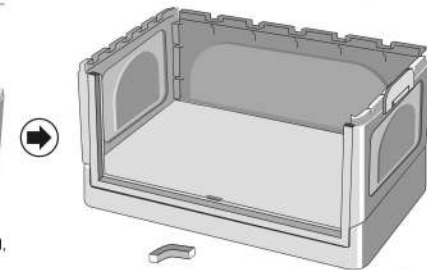
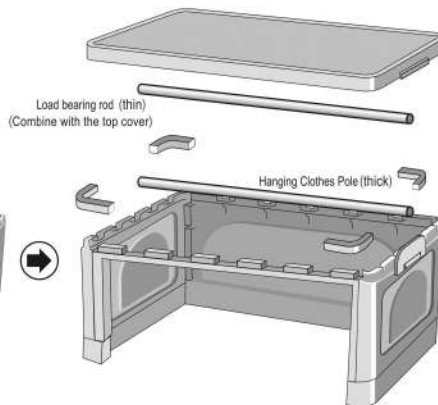


Open the side panel and back of the lower box of the large door outward, and then lock the buckle between the side panels

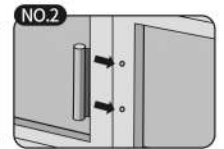
### Small double door box



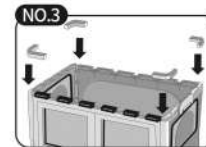
Open the side and back panels of the small double door box outward, and then lock the clips between the side panels



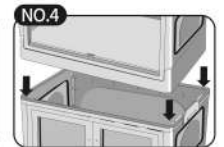
Install the small double door box according to the steps



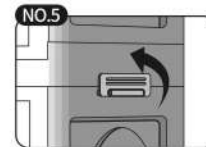
Install handles on small double door enclosures



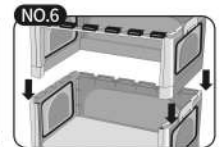
Install L-shaped corner press on the top edge of the box



Install the lower box of the large double door and stack it in sequence



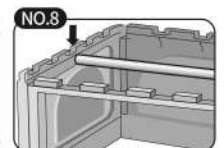
Install the lower box onto the door opening box, and then lock the fixed locks on the left and right sides



Assemble the upper box of the large door and then sequentially insert it into the lower box



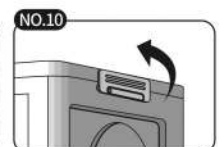
Install the upper box onto the lower box and lock the fixing locks of the left and right side panels



Place the clothes hanging rod at the card position of the upper box, and install a fixed frame at the top edge of the box



Install two large handles onto two large door panels, align them with the holes on top, and then snap them in.



Install the top cover on the topmost box and lock the fixing buckles on both sides