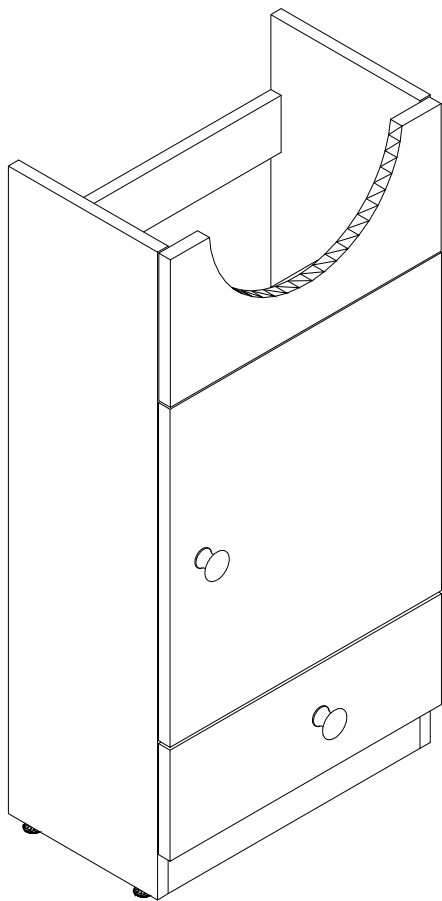


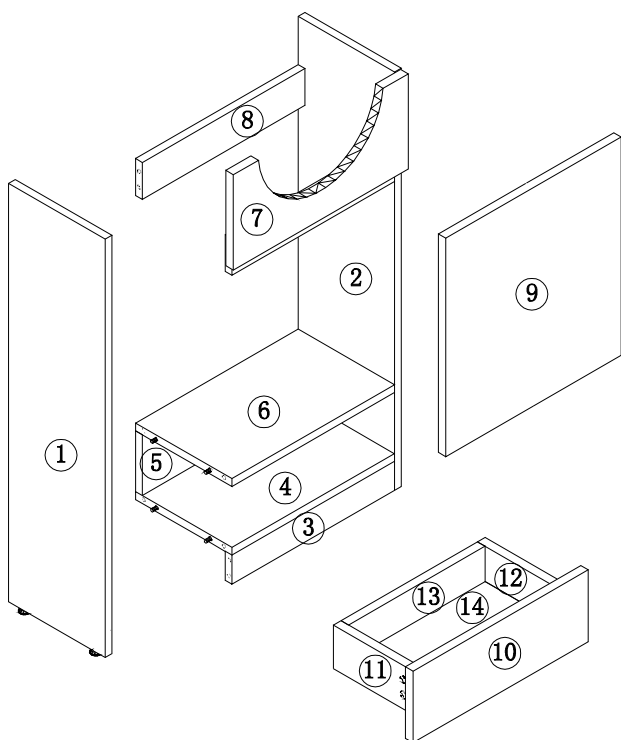
DIMENSIONS



PARTS LIST

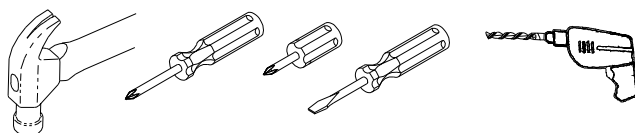
PARTS LIST			HARDWARE LIST		
NO	DESCRIPTION	QTY	NO	DESCRIPTION	QTY
①		1	A		26
②		1	B		26
③		1	C		26
④		1	D		18
⑤		1	E		2
⑥		1	F		2
⑦		1	G		24
⑧		1	H		2
⑨		1	I		2
⑩		1			
⑪		1			
⑫		1			
⑬		1			
⑭		1			

ASSEMBLY DIAGRAM



CAUTION: Please confirm the parts list before installation

YOU MAY NEED (NOT SUPPLIED)

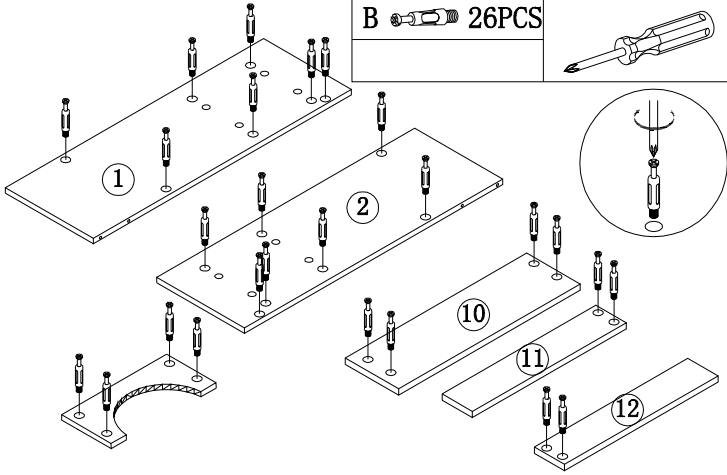
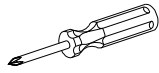


INSTALLATIONS

STEP 1

HARDWARE LIST

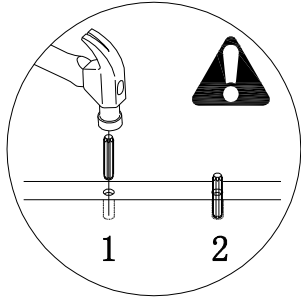
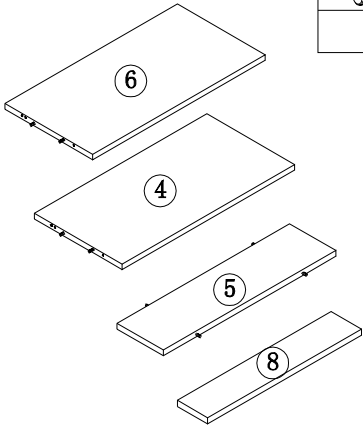
B  26PCS



STEP 2

HARDWARE LIST

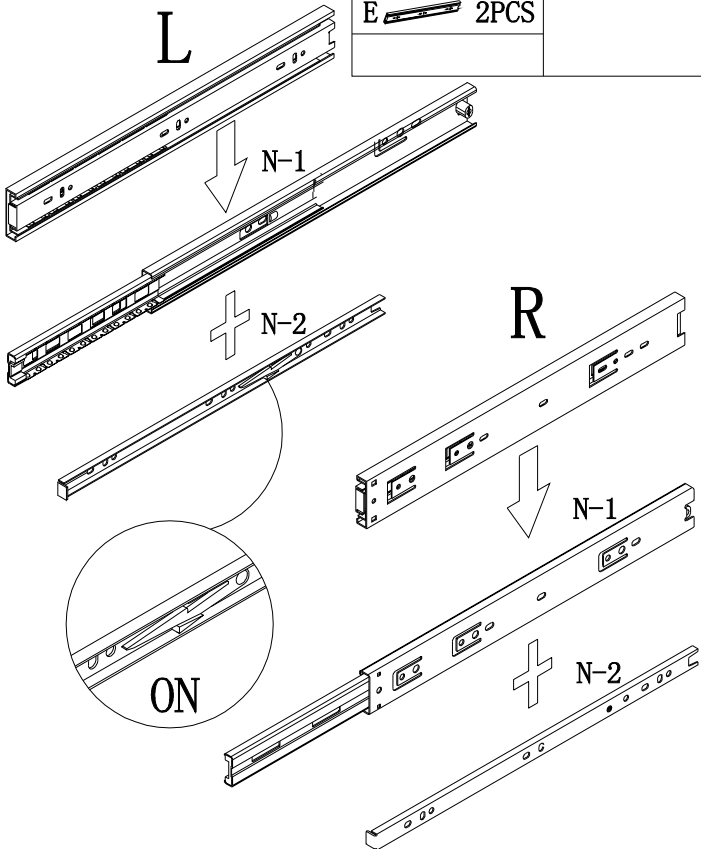
D  18PCS



STEP 3

HARDWARE LIST

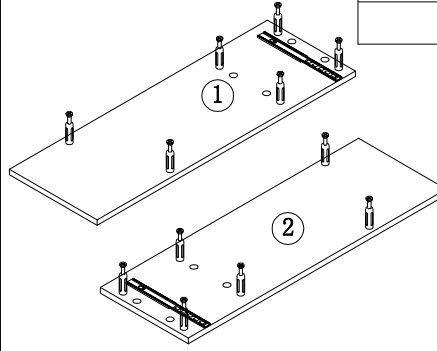
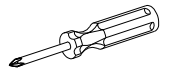
E  2PCS



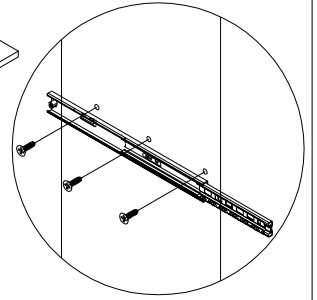
STEP 4

HARDWARE LIST

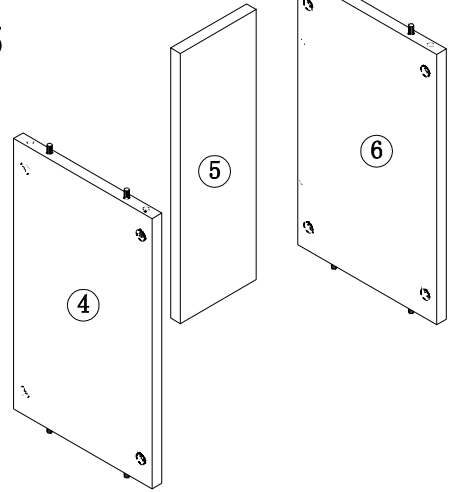
G  6PCS



 2PCS N-1




STEP 5

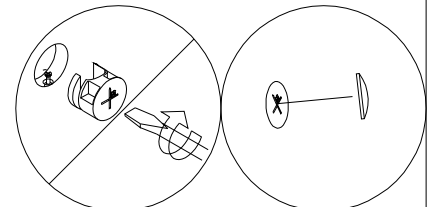
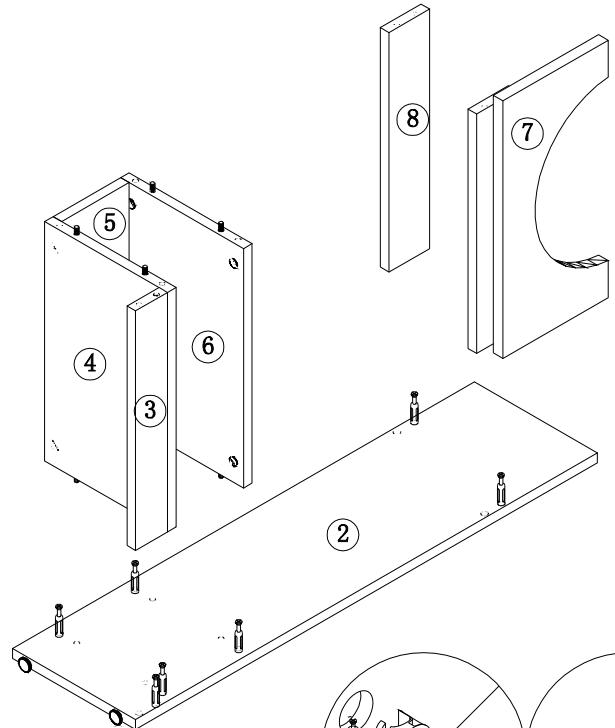
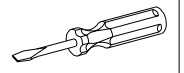


STEP 6

HARDWARE LIST



A  9PCS

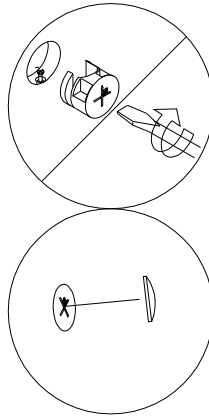
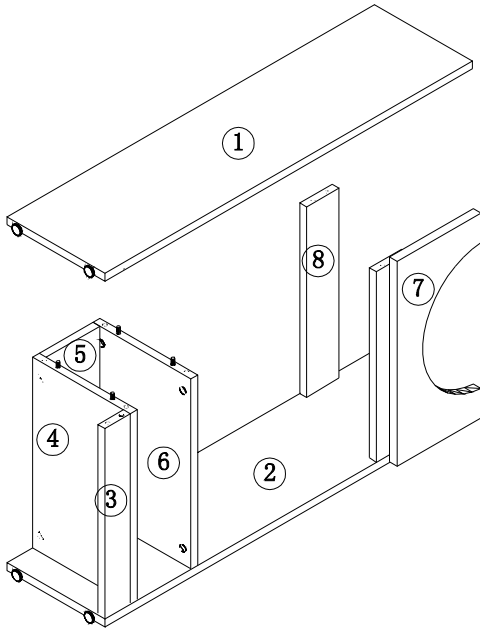
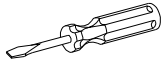
C  9PCS



STEP 7



HARDWARE LIST

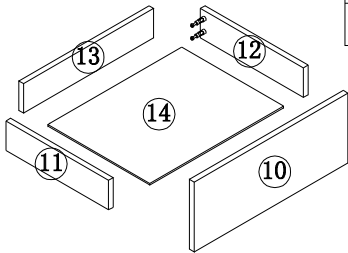
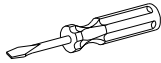
A		9PCS
C		9PCS



STEP 8




HARDWARE LIST

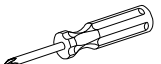
A		8PCS
C		8PCS



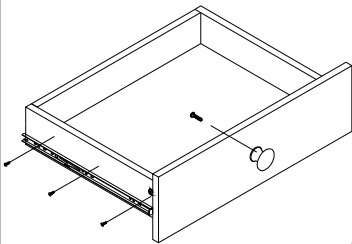
STEP 9

HARDWARE LIST

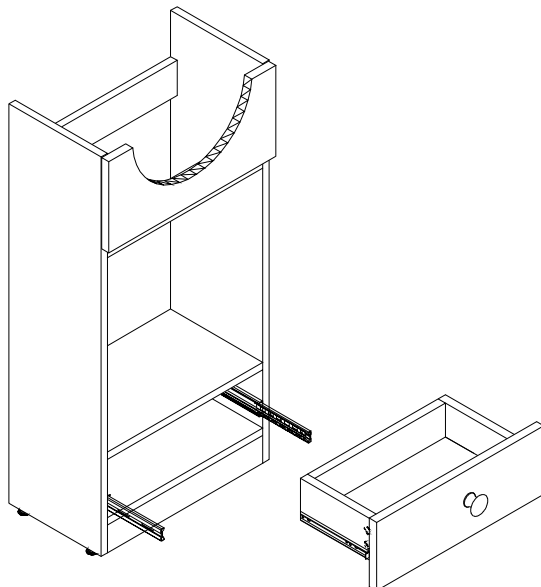
G		6PCS
H		1PCS
I		1PCS



2PCS N-2







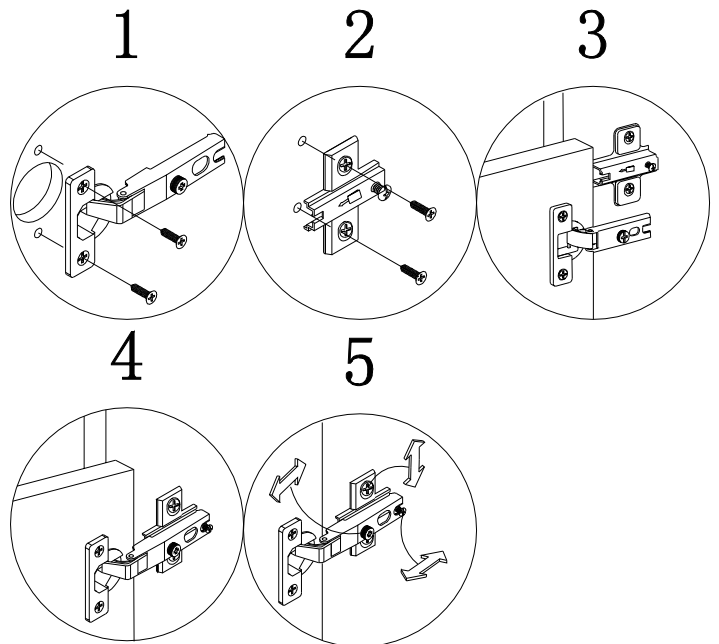
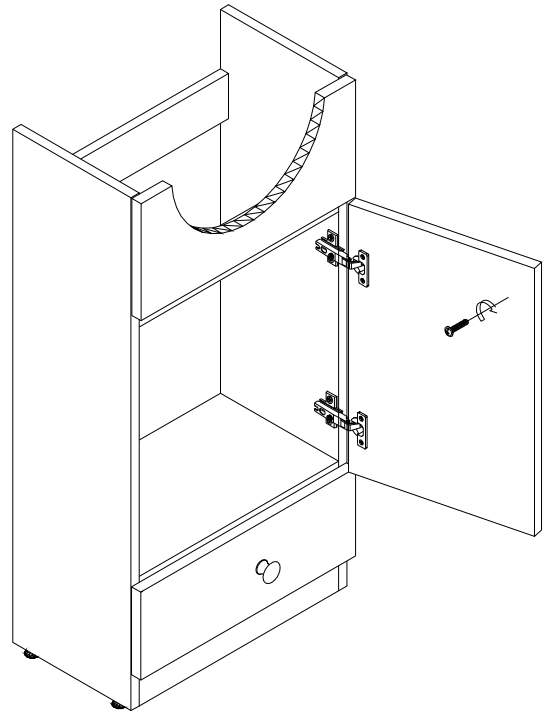
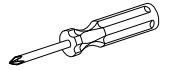
STEP 10



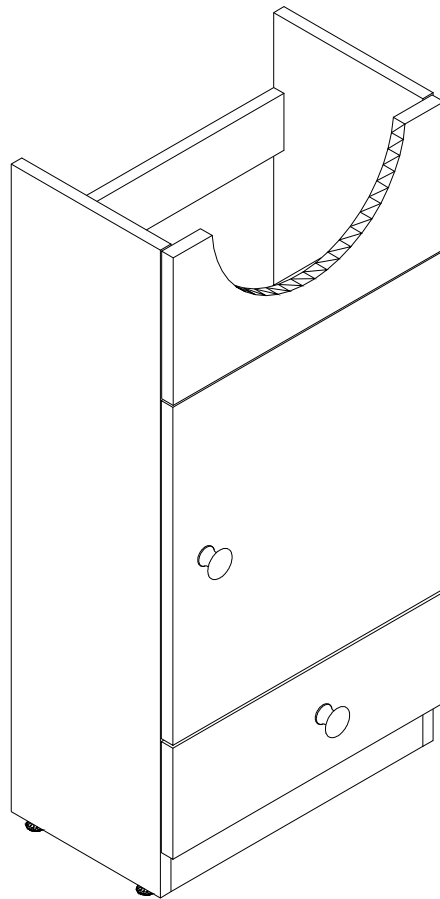
STEP 11

HARDWARE LIST

G		12PCS
I		1PCS
H		1PCS
F		2PCS



STEP 12



Choking hazard-Small Parts : This unit contains small parts, not for children under 3 years.

Tip-over hazard : Secure finished unit to wall stud using L-Bracket and wall screw (#10*1.5"W/out provided). If a wall stud is not neccessible ,Consault your local hardware store for appropriate mounting hardware . Failure to properly install will result in product collapse or tip-over. Serious injury can occur .