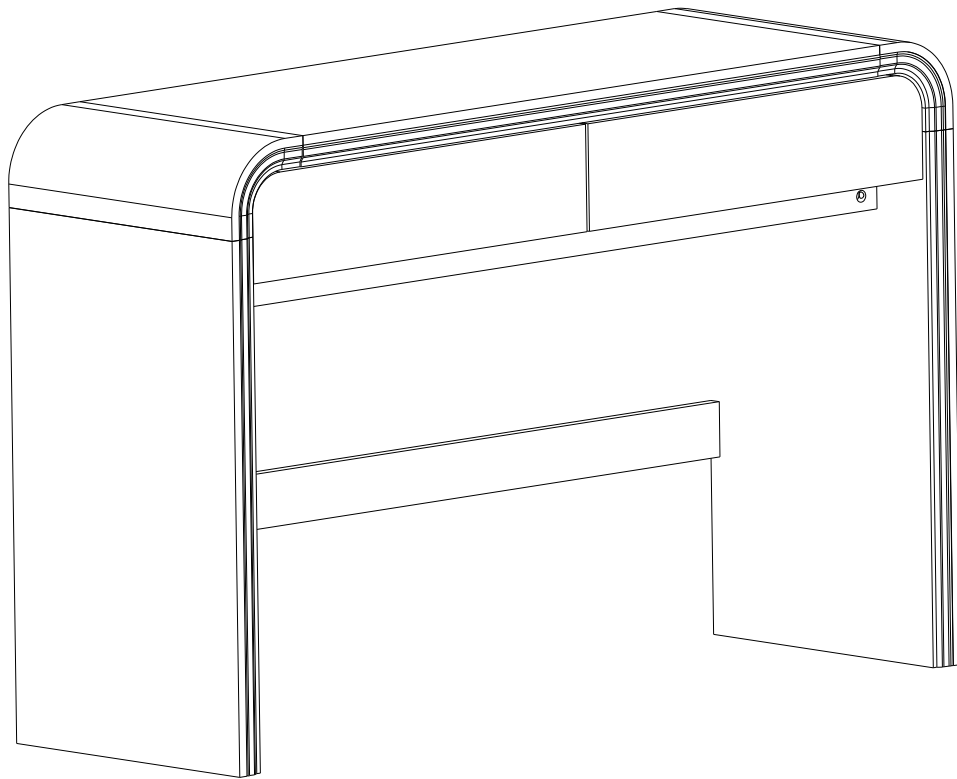


Multifunctional storage

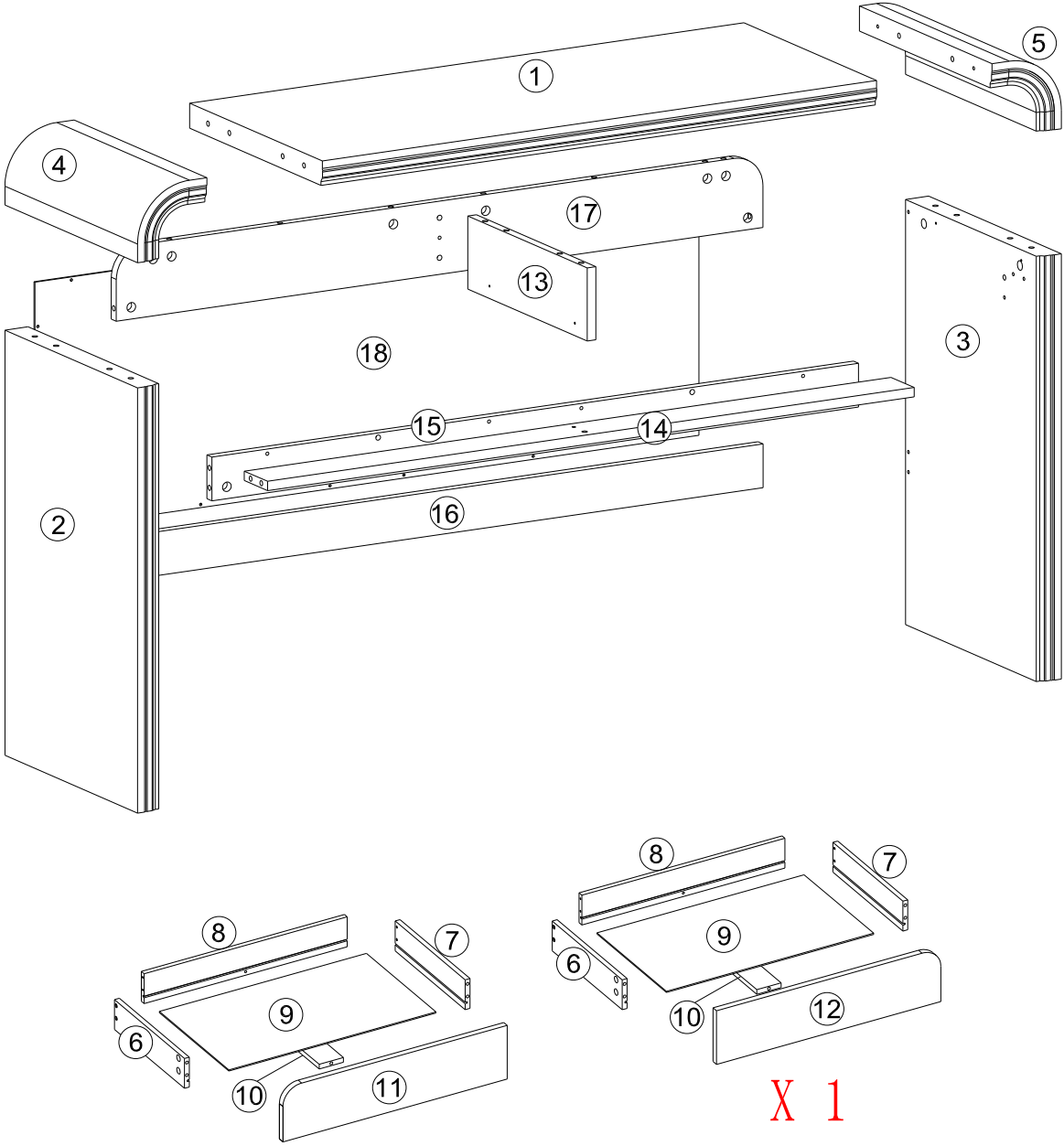
Assembly Instructions

we recommend using the included manual installation tool for assembly.

If you choose to use a power drill, please set it to the lowest torque setting to prevent over-tightening, which may damage the wooden panels.



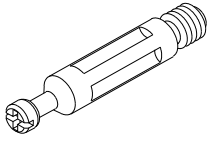
Parts List



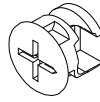
X 1

X 1

Hardware

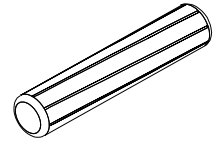


A x 45sets



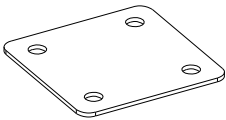
Ø15X9.5MM

B x 45sets



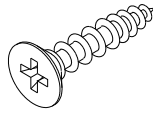
Ø8 x 30MM

C x 21pcs



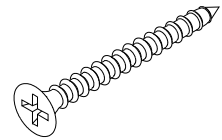
36*36*23.5

D x 2pcs



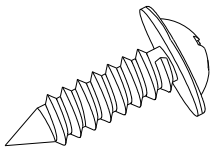
3.5 x 12MM

E x 26pcs



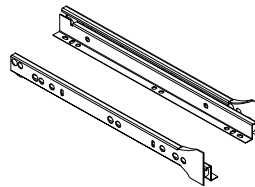
3.5 x 35MM

F x 10pcs



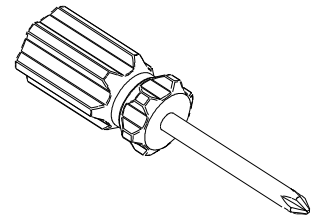
3.5 x 12MM

G x 18pcs

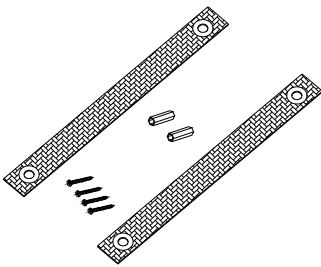


300MM

H x 2sets


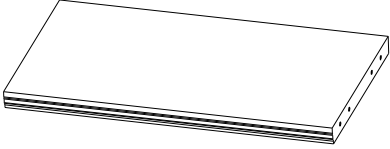
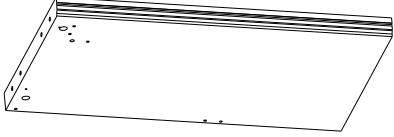
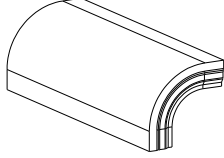
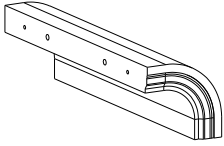
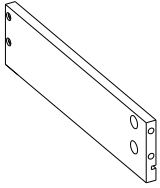
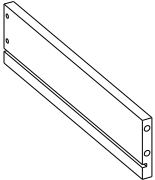
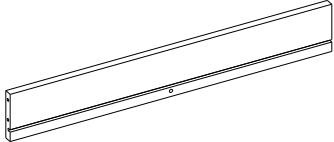
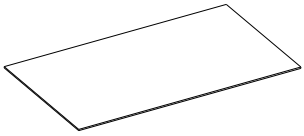
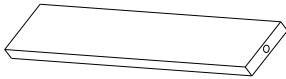
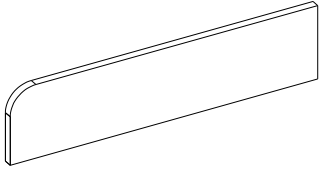
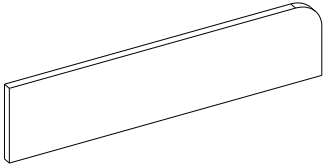
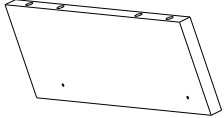
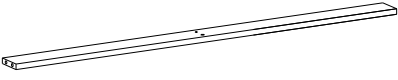
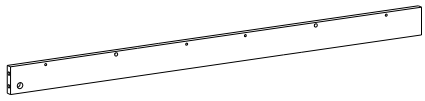
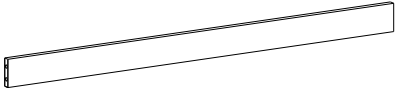
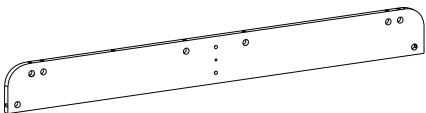
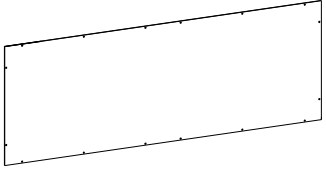


I x 1pcs

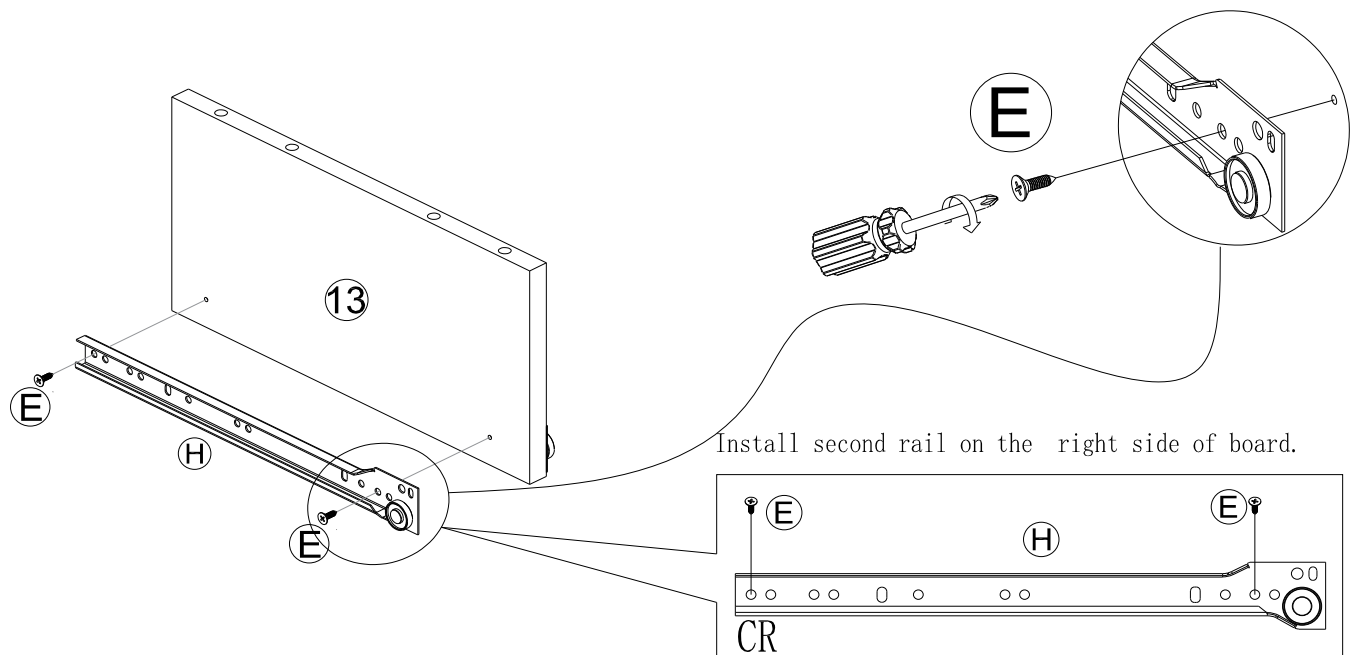
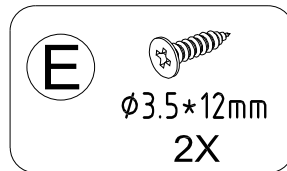
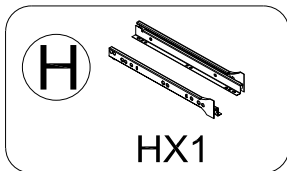


J x 1sets

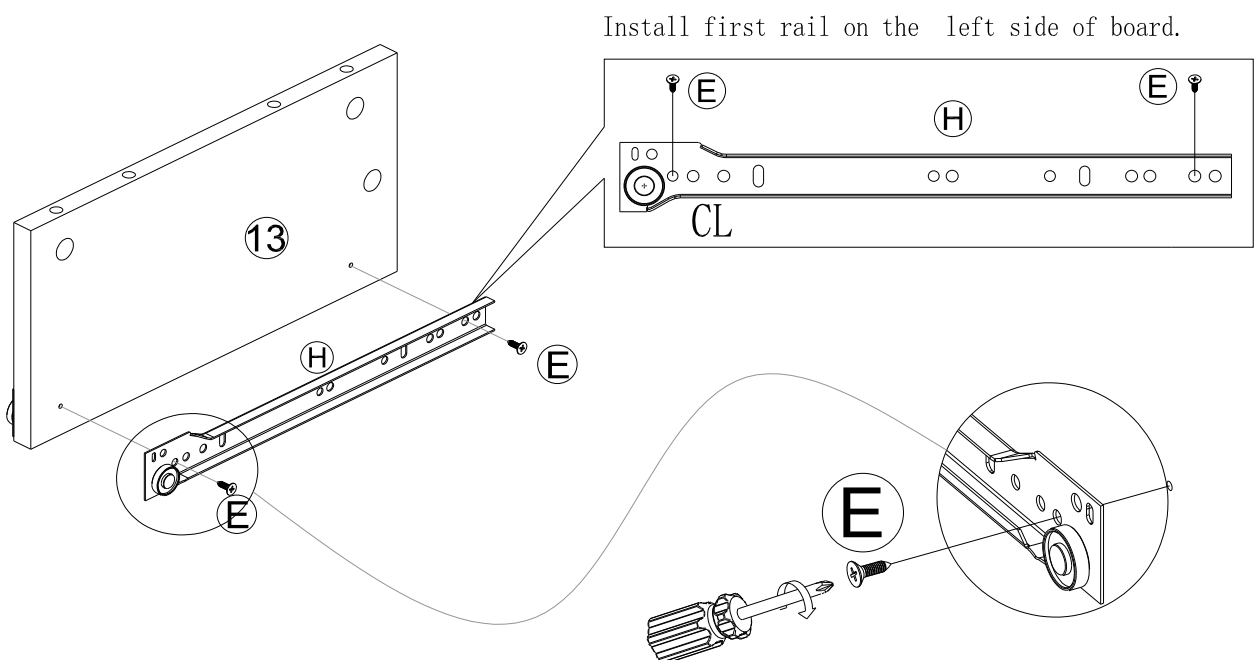
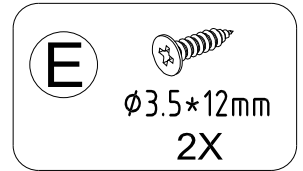
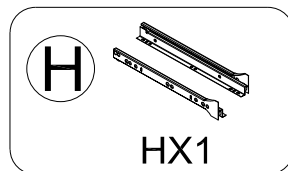
ASSEMBLY MATERIAL

Item no.	Reference Image	Oty.	Item no.	Reference Image	Oty.
1		X1	2		X1
3		X1	4		X1
5		X1	6		X2
7		X2	8		X2
9		X2	10		X2
11		X1	12		X1
13		X1	14		X1
15		X1	16		X1
17		X1	18		X1

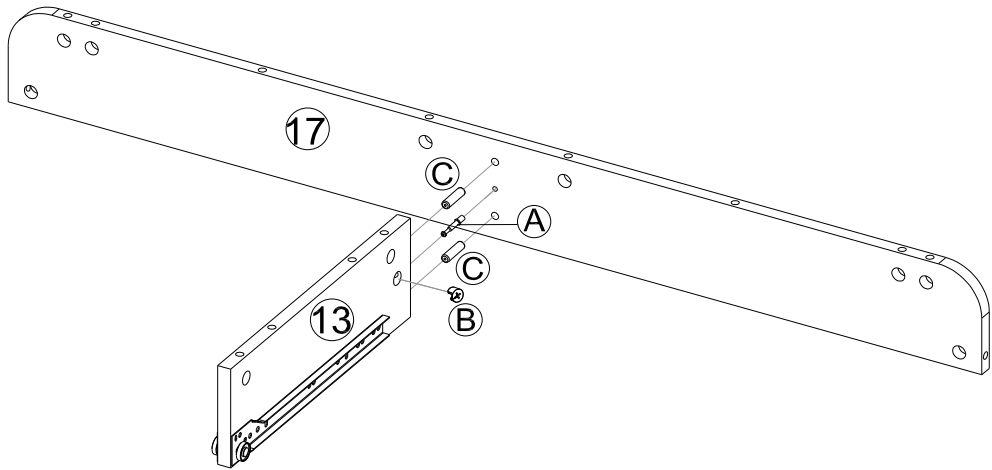
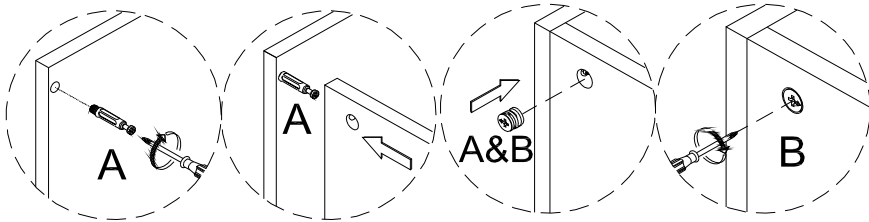
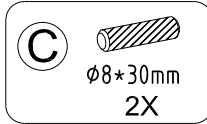
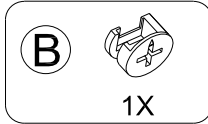
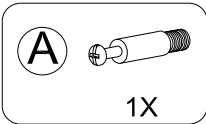
Step 1



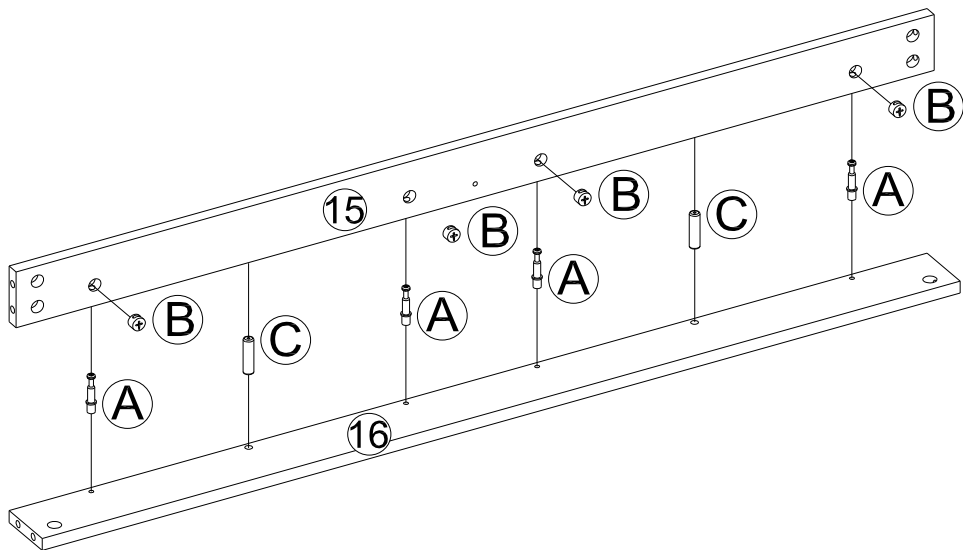
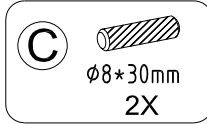
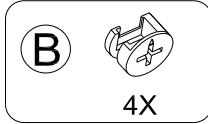
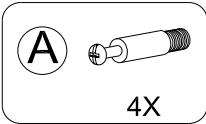
Step 2



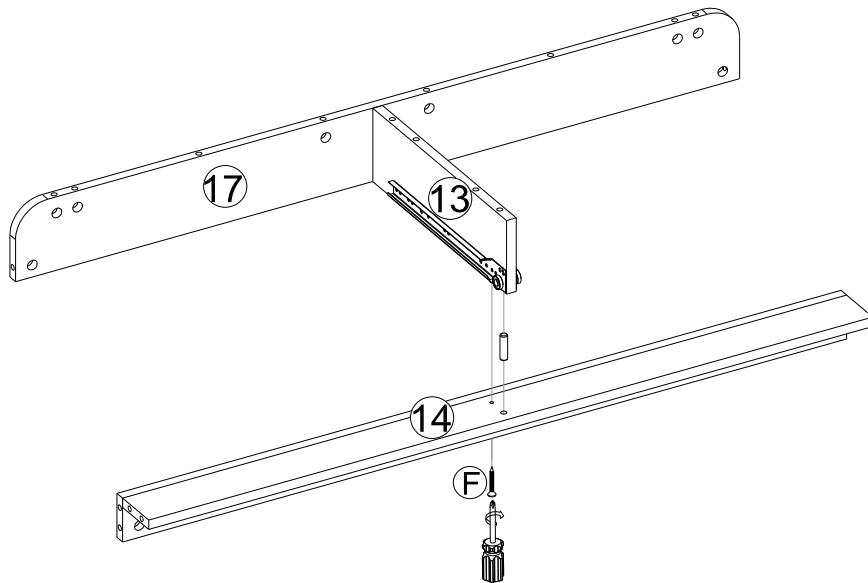
Step 3



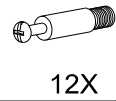
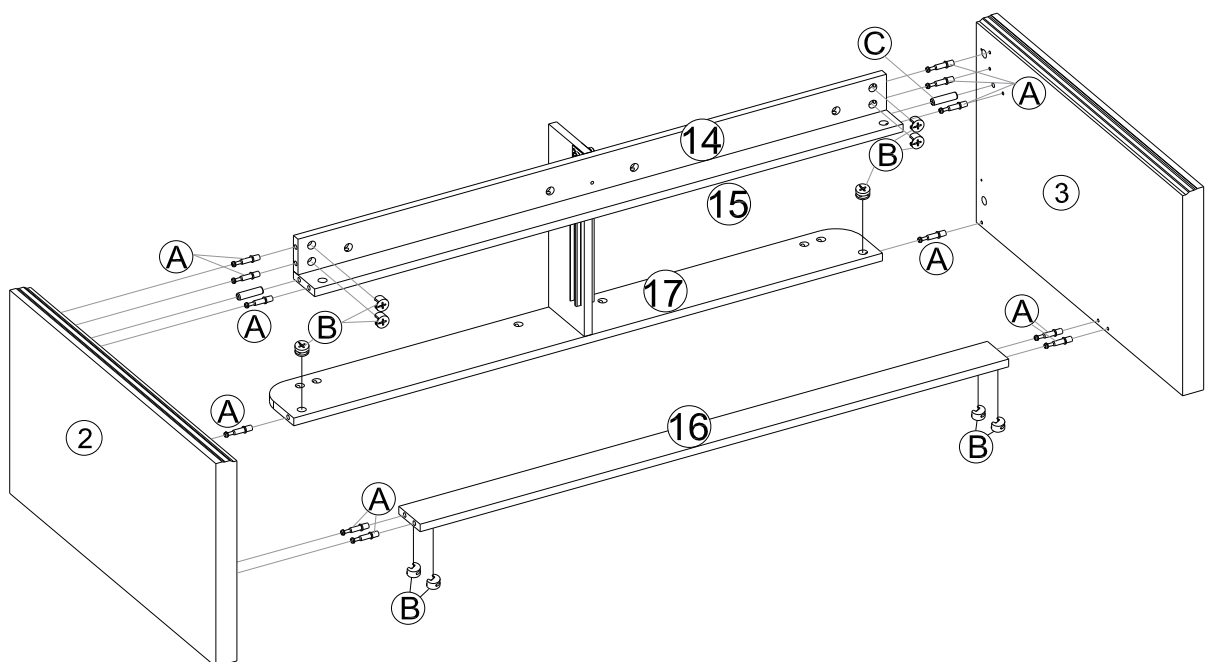
Step 4



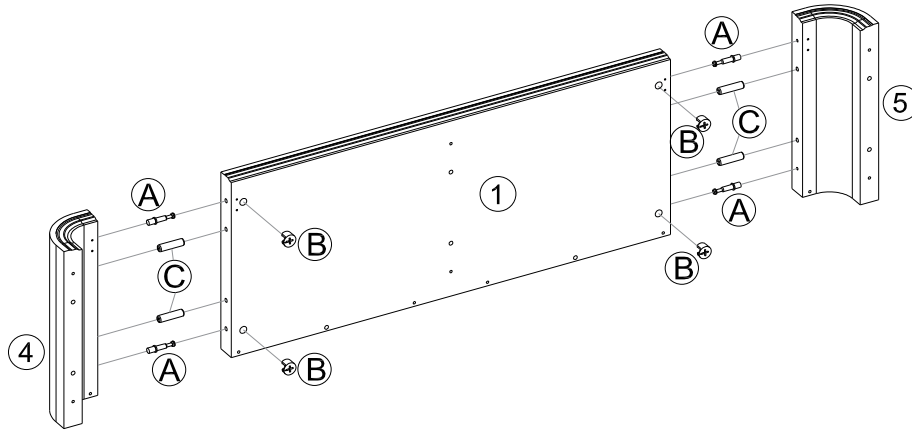
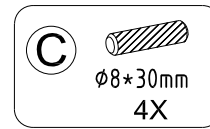
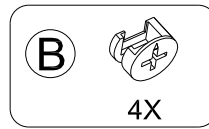
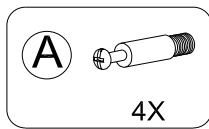
Step 5

C**F**

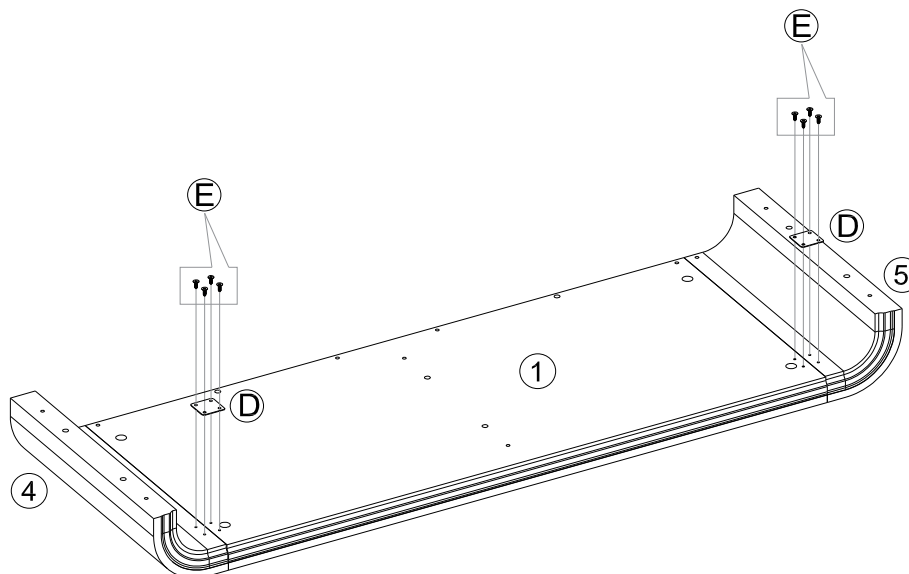
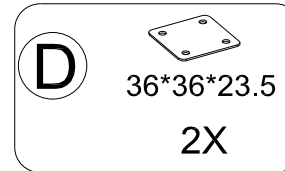
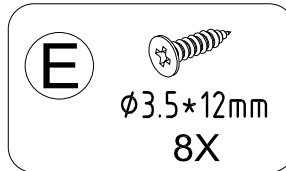
Step 6

A**B****C**

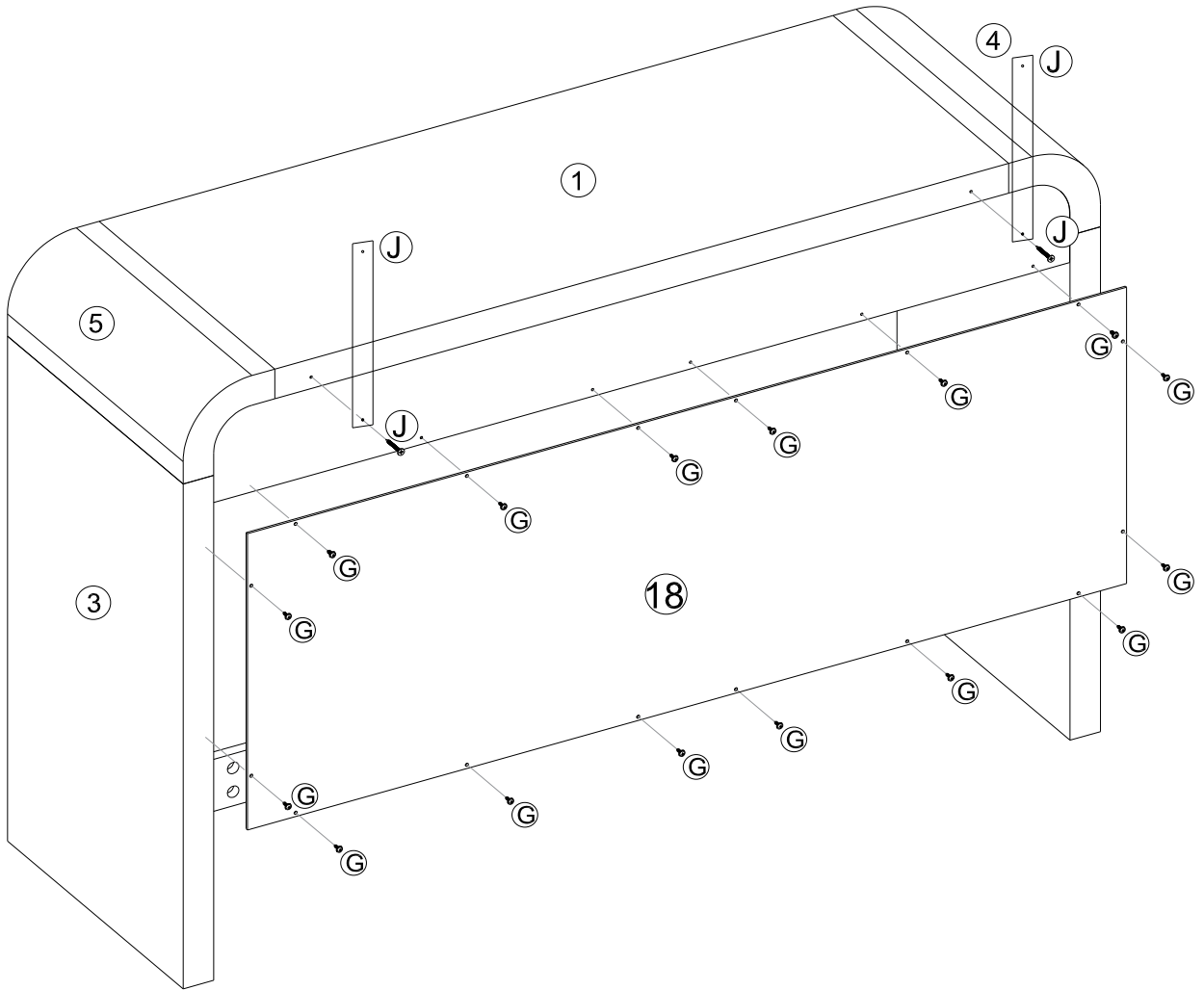
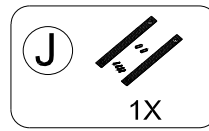
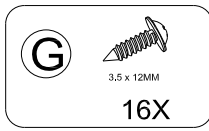
Step 7



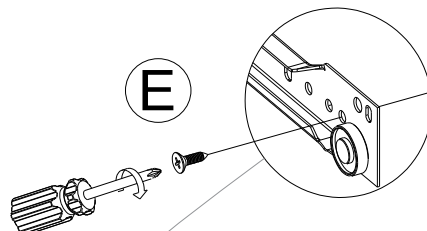
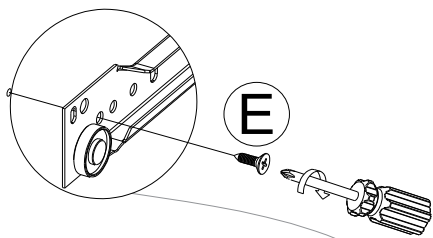
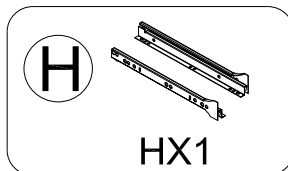
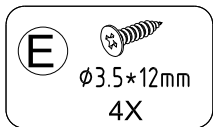
Step 8



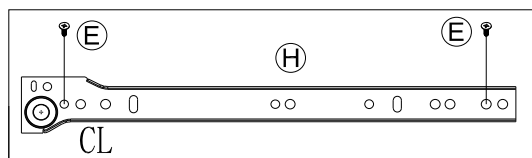
Step 10



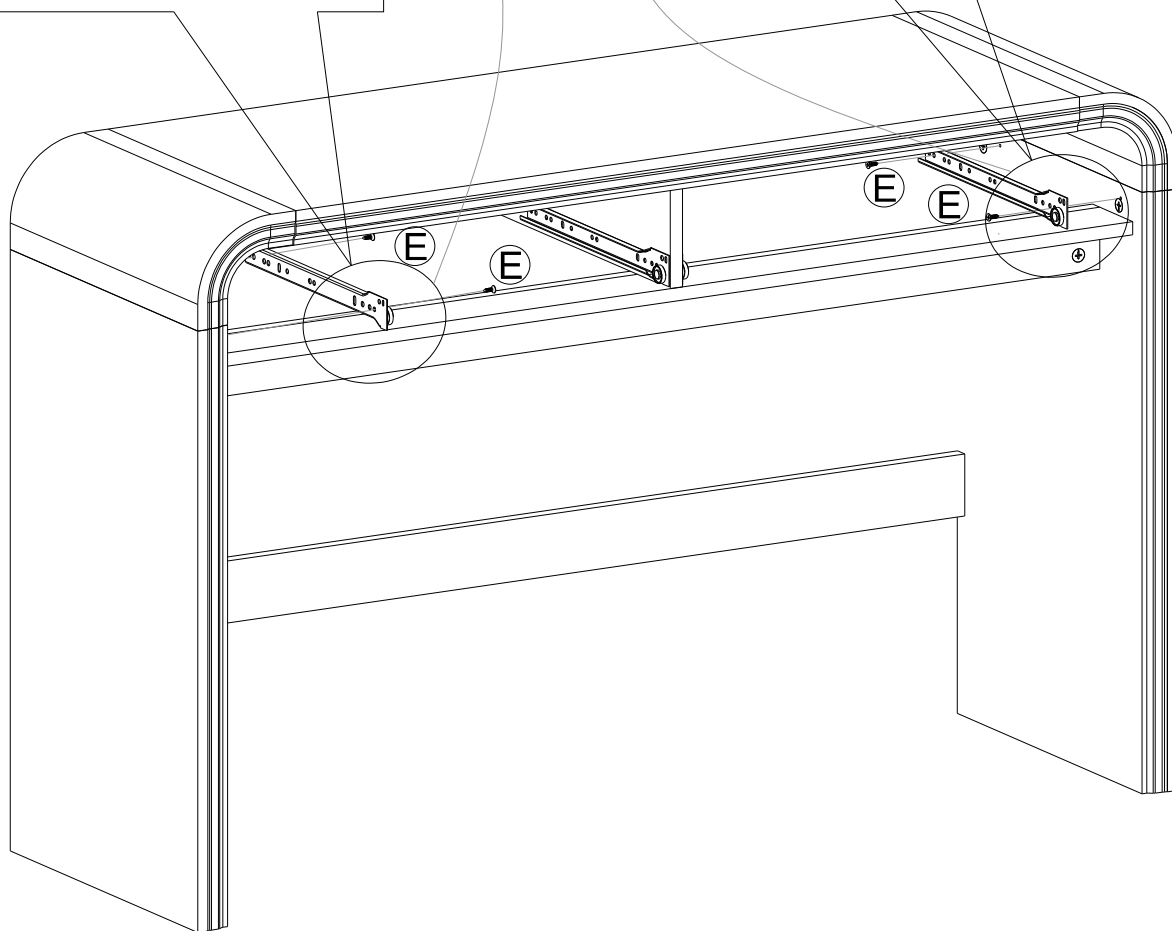
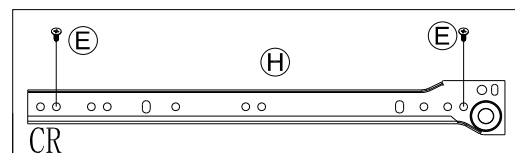
Step 11



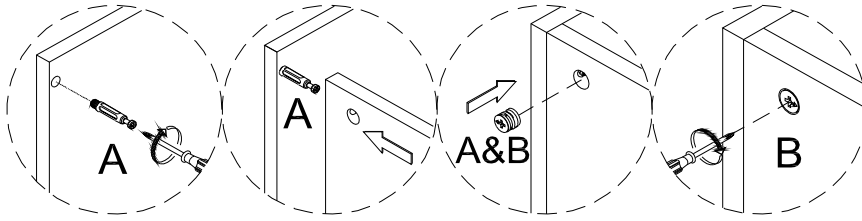
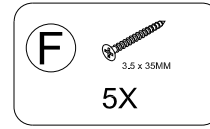
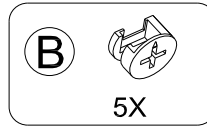
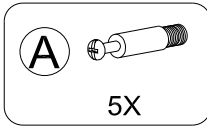
Install first rail on the left side of board.



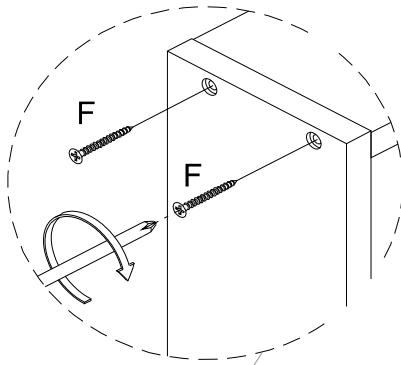
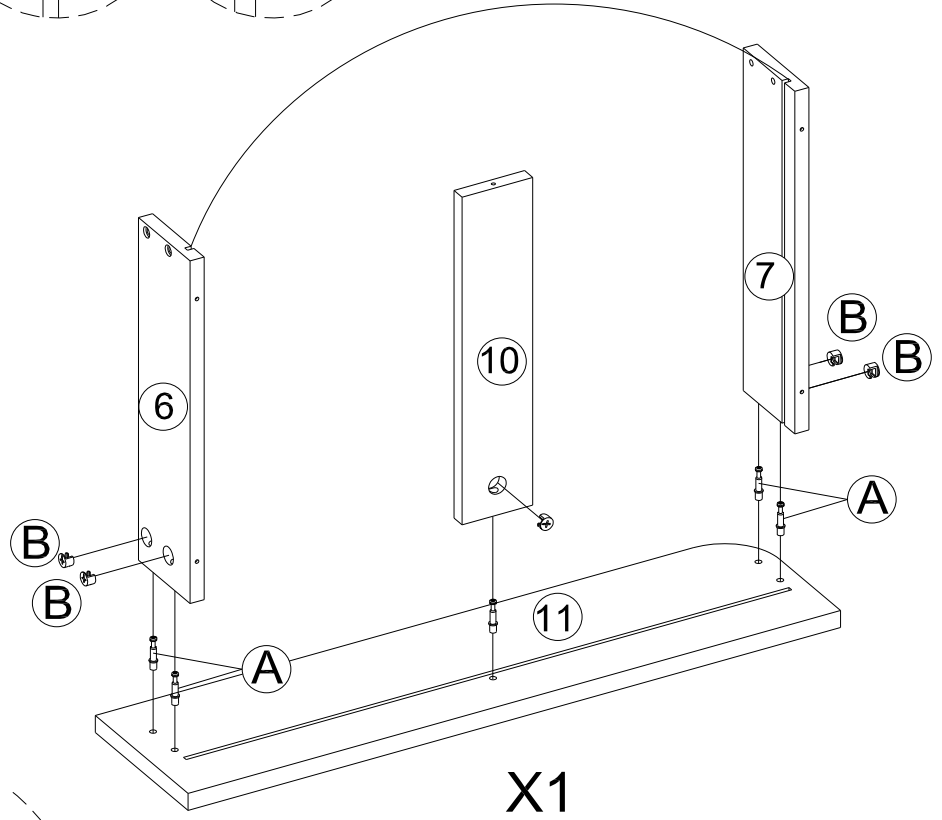
Install first rail on the right side of board.



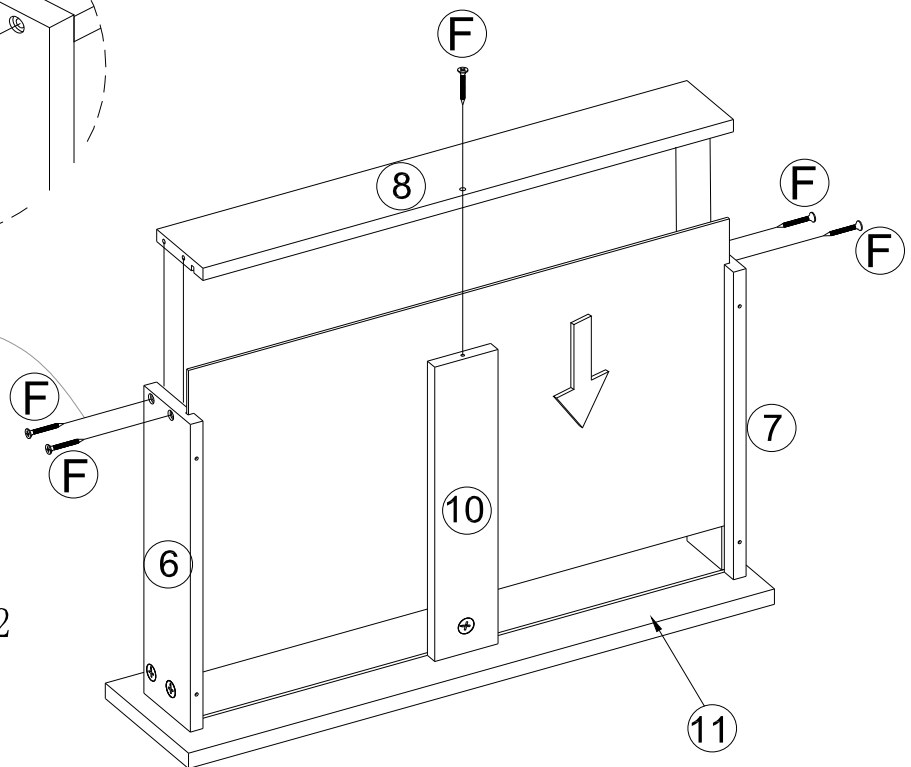
Step 12



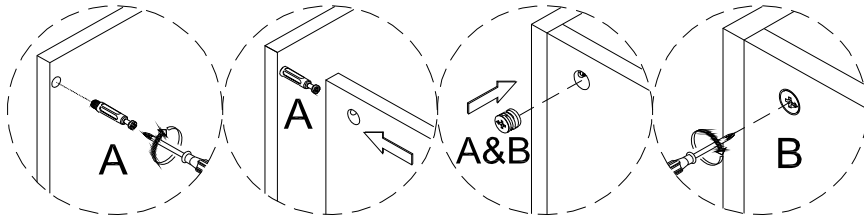
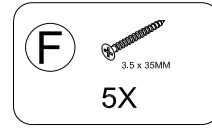
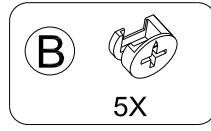
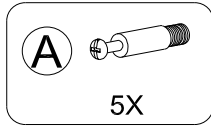
Step:1



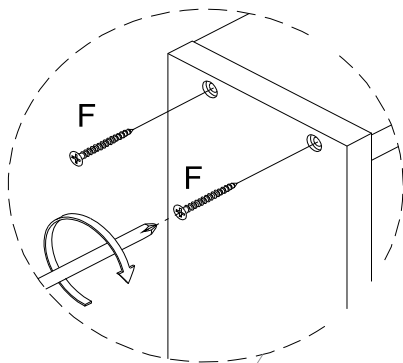
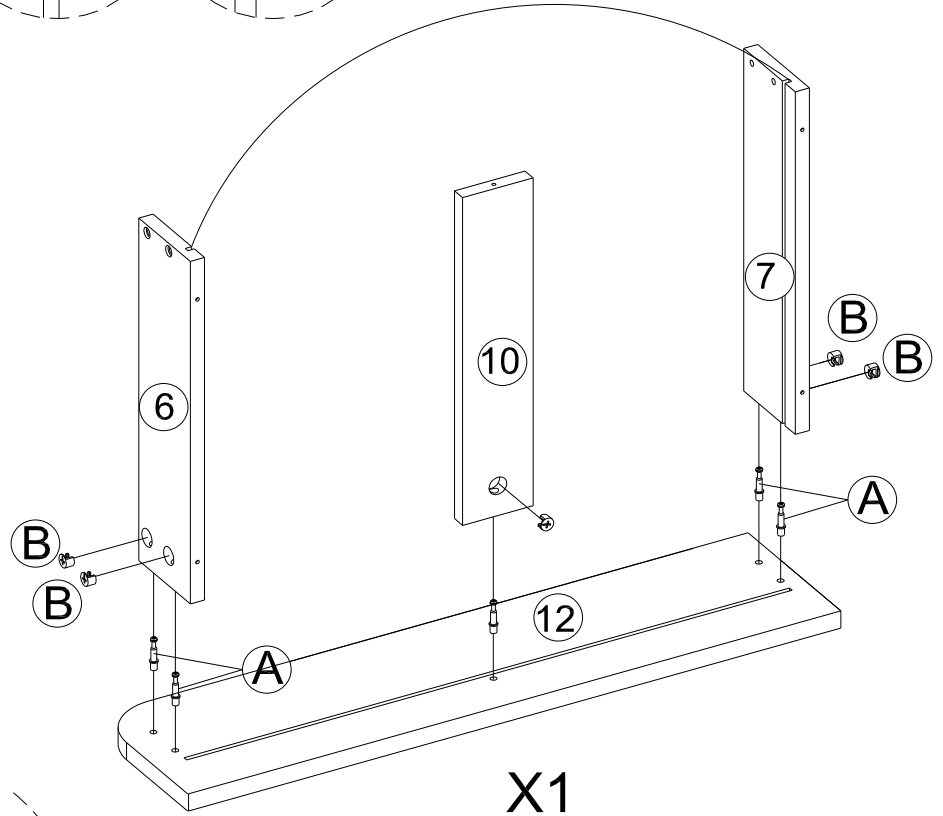
Step:2



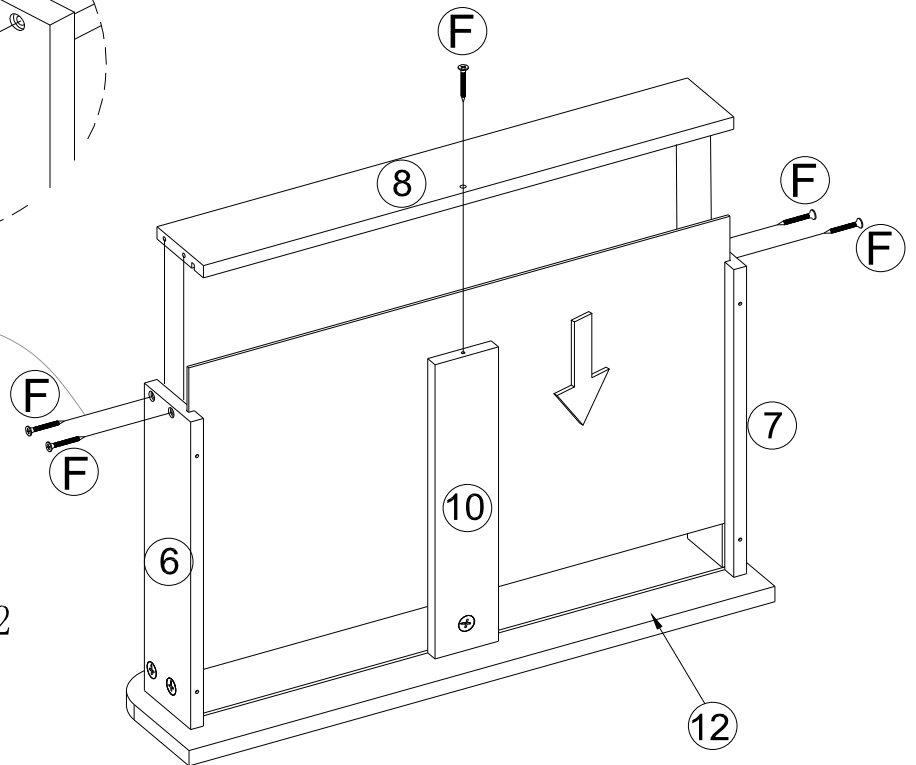
Step 13




Step:1

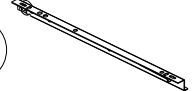


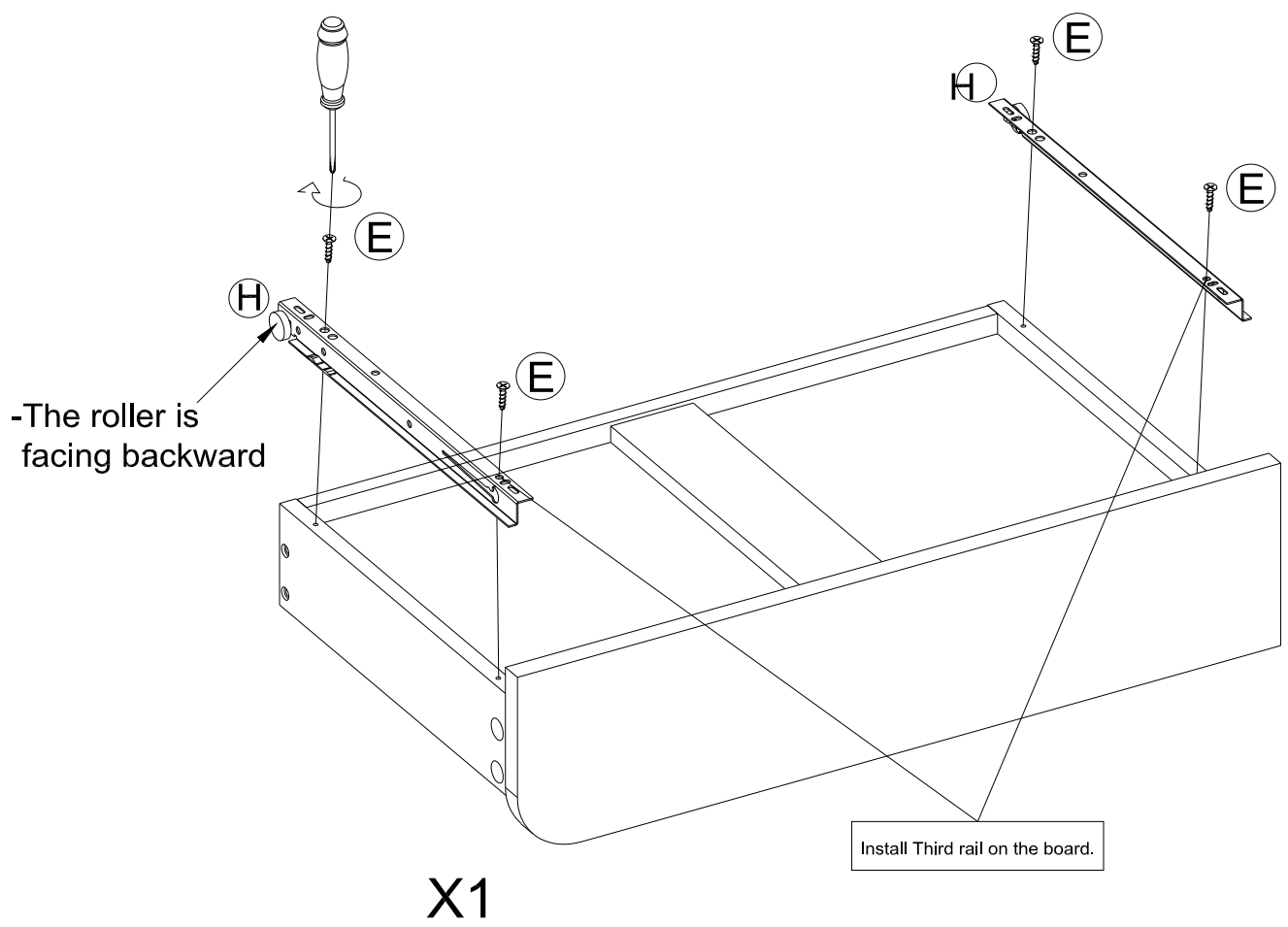
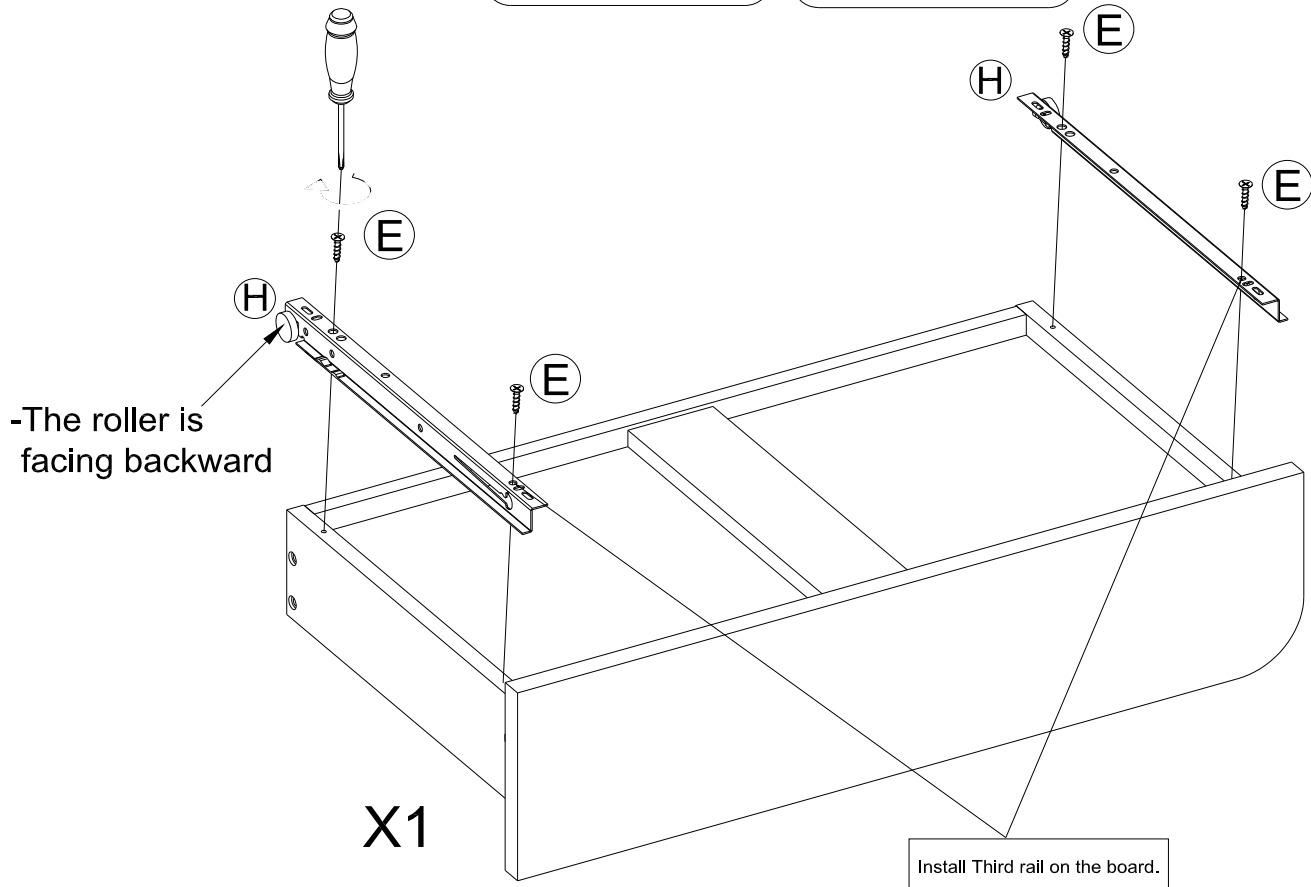
Step:2



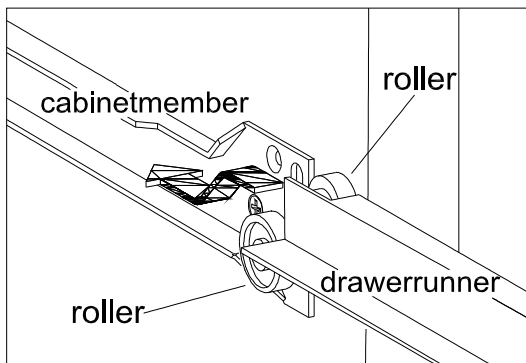
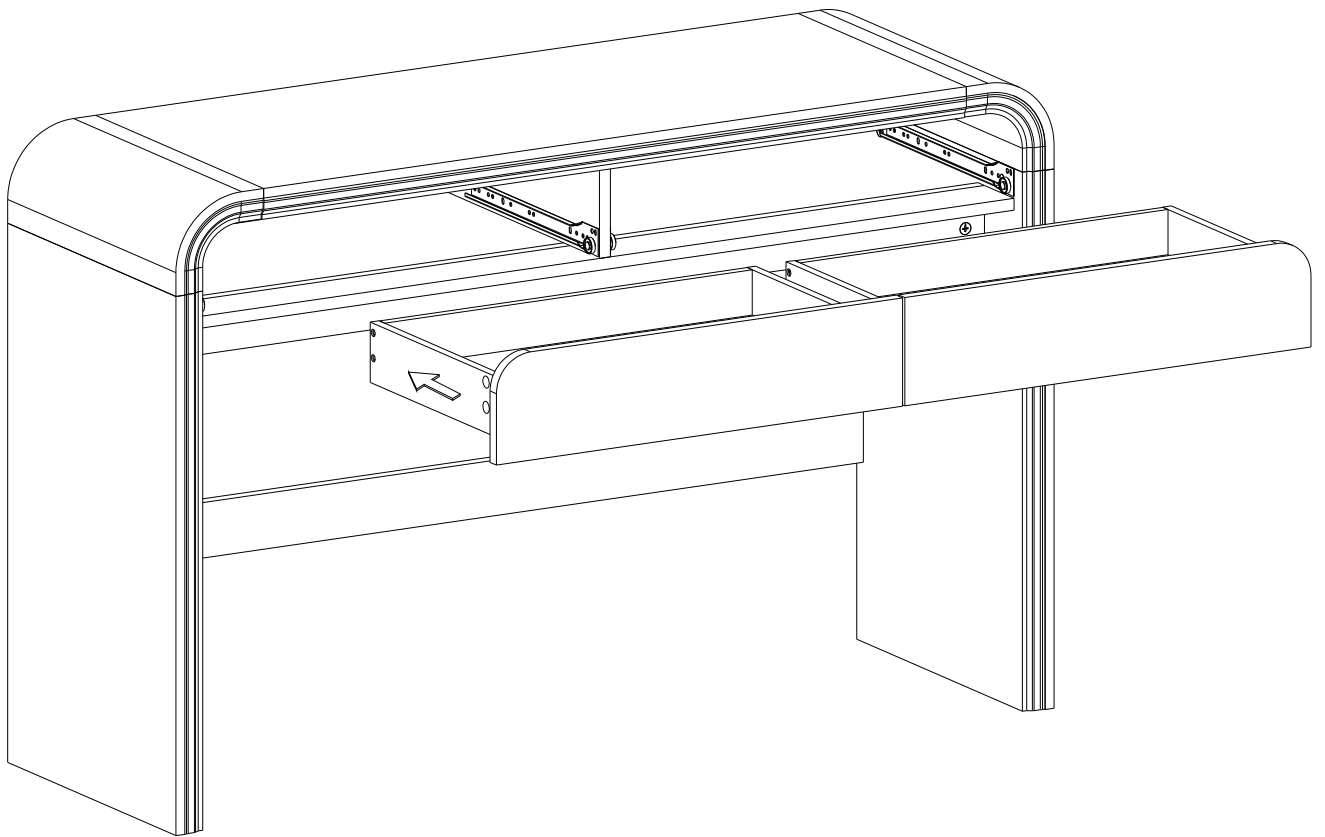
Step 14

E 
Ø3.5*12mm
8X

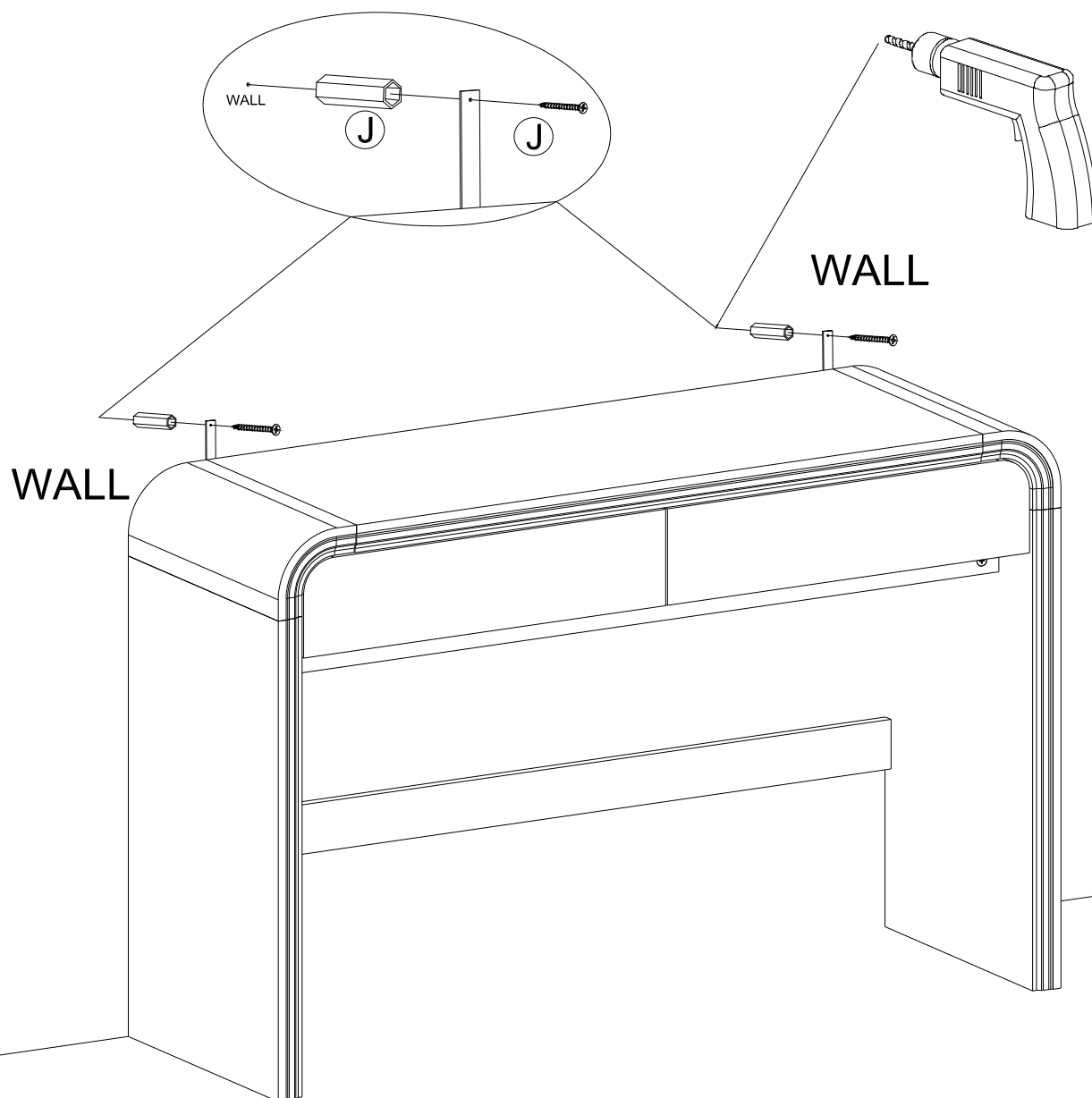
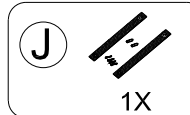
H 
2X



Step 15



Step 16



The furniture must permanently be fixed to the wall using the provided anti-tipping device to prevent it from tipping over.

- Mark the drill positions on the wall with a pencil.
- Drill a small hole on the marked positions.
- Insert a wall anchor into the drilled hole.
- Fix the anti-tipping strap to the wall using the provided screws.