

四门酒柜组装说明图

包装箱:

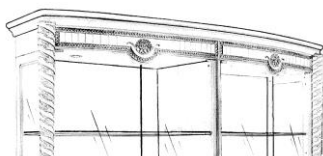
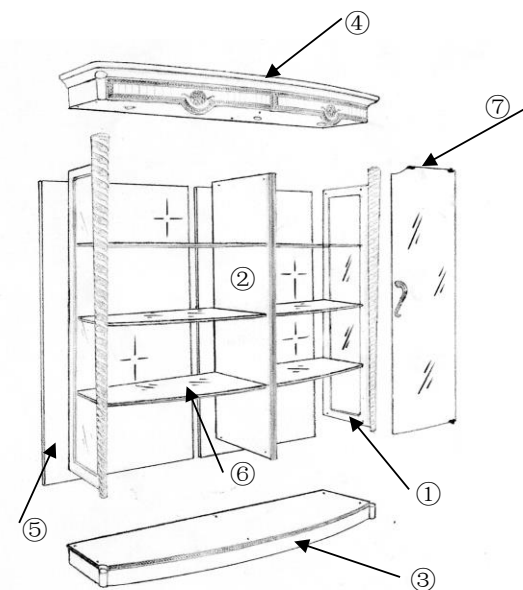
6--1	2160×720×340	含顶底板
6--2	1800×640×120	含侧板、中隔板
6--3	1980×250×120	含园柱
6--4	980×600×130	层板玻璃6块(外加木架保护)
6--5	1790×500×90	门玻璃4块(外加木架保护)
6--6	1830×1010×60	含背镜板(外加木架保护)

零配件清单

名称	规格	数量	示意图
大拉手		4套	
单门玻璃夹		2套	
射灯	灯20W	3盏	
层板销	Φ8*25	36套	
三合一	25L	16套	
木榫	Φ8*40	16个	
背板螺丝	Φ3*16	60个	

安装步骤

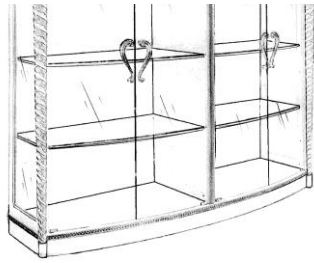
- 1: 先将各纸箱小心拆开, 然后将侧板1, 中侧板2侧起, 用其下端分别连接底座3, 旋紧三合一扣件。
- 2: 将其连接好的连体的上端连接顶盖4, 旋紧三合一扣件。
- 3: 安装各背镜背板5, 并将木螺丝拧紧。
- 4: 装上层板销到各侧板, 并将层板玻璃6搁上。
- 5: 安装各玻璃门7, 拉手及玻璃门铰。
- 6: 调整整体水平度。



4-door showcase Construction elucidation diagram

Packing box:

6--1	2160×720×340	Contain a scaleboard
------	--------------	----------------------



- | | | |
|------|--------------|---|
| 6--2 | 1800×640×120 | Contain the side plank and win to separate the plank |
| 6--3 | 1980×250×120 | Contain the cylinder |
| 6--4 | 980×600×130 | The lamination glass 6 piece(a protection of the in addition wood) |
| 6--5 | 1790×500×90 | 4 pieces of glass(a protection of the in addition wood) |
| 6--6 | 1830×1010×60 | Contain the mirror plank(a protection of the in addition wood) |

Accessories detailed list

Name	Specification	Qty	Picture
Hold hands		4set	
The glass clip		2set	
Light	灯20W	3set	
Lamination grain	Φ8*25	36pcs	
3 into 1	25L	16set	
Wood	Φ8*40	16pcs	
Screw	Φ3*16	60pcs	

Installation steps:

1. Carries each cardboard box tears open carefully, then win the side plank 1, the side plank 2 sides rise, with its bottom respectively to link the base first 3, wind up three unite as one to button up the piece.
2. Link it good even the top end conjunction crest of the body cover 4, twist tight three unite as one to button up the piece.
3. Install each empress the mirror backboard 5, and wind up the wood screw.
4. Pack the upper level plank grain arrives each side plank, and put the lamination glass 6 up.
5. Install each glass door 7, hold hands and glass door assemble.
6. Adjust the whole level degree.

