




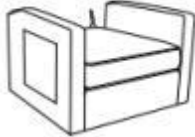






# Assembly Instructions






Note: Please help to read my instruction before you ready to assemble.

## RECLINER CHAIR













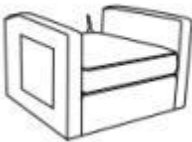






## Part List

Label	Picture	Description	QTY (PCS)
A		Chair Backrest	1
B1		Right Wing	1
B2		Left Wing	1
C		Chair Base	1
D		Front Leg	2
E1		Right Back Leg	1
E2		Left Back Leg	1
<b>Hardware</b>			
①		Plastic Washer	3
②		Flat Washer(M6)	3
③		Bolt(M6*40mm)	3
④		Allen Wrench(M6)	1

⑤		Bolt(M8*25mm)	7
⑥		Allen Wrench(M8)	1
⑦		Flat Washer (M8)	7
⑧		Spring Washer	7
⑨		Power Cord	1

## Assembly Preparation

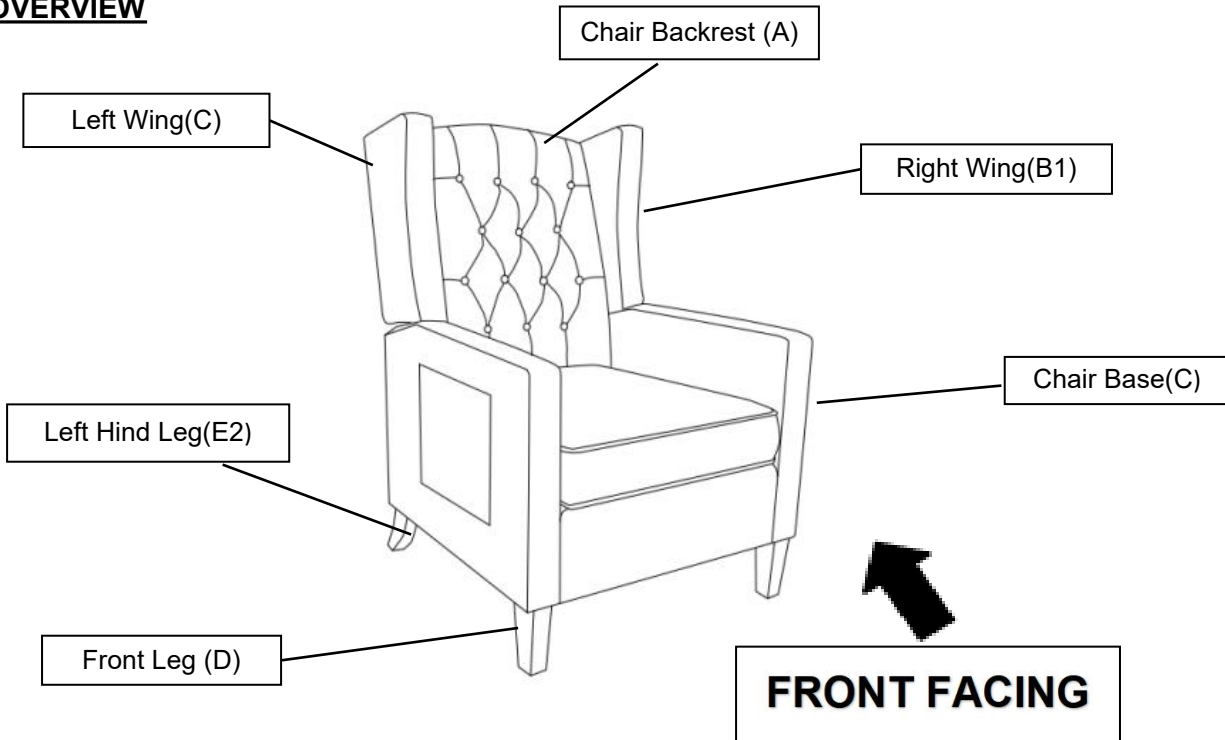
All Including:	  	 x3  x3  x3  x1  x1	 x7  x1  x7  x7
	    	<p>Included:</p> <ul style="list-style-type: none"> <li>-Backrest 1pc</li> <li>-Left Wing 1pc</li> <li>-Right Wing 1pc</li> <li>-Chair base 1pc</li> <li>-Front Leg 2pcs</li> <li>-Right Back Leg 1pc</li> <li>-Left Back Leg 1pc</li> <li>-Hardware pack 1pc</li> </ul>	

## NOTICE:

- Please read the instruction from cover to cover in detail.Thanks.
- Installed by at least two adults
- To avoid damaging your furniture , Please don't assemble on flooring or carpet.
- Please assemble on a clean non-marring surface, example for packing foam.
- Saving all packaging until have finished.

# Assembly Steps

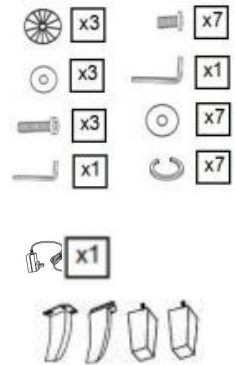
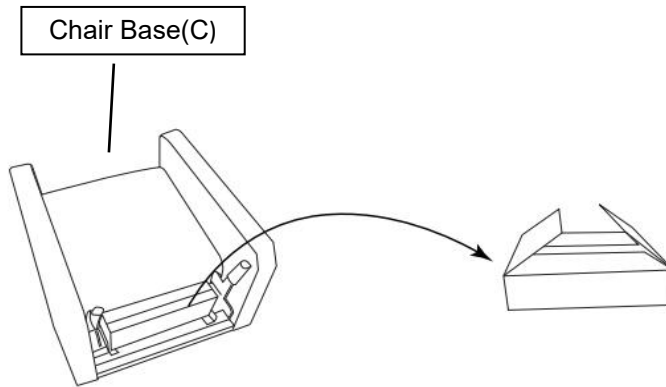
## OVERVIEW



This Sofa has multiple parts and may require up to 60 minutes to assemble. To give you an overview of the Sofa parts, the above picture is to help you put the various parts into perspective. Please read through the instructions below to familiarise yourself with the parts and steps before assembly.

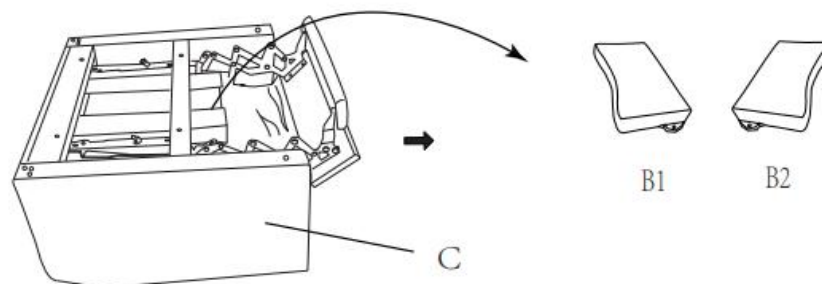
**Note: It is recommended that you have an adult partner to assist during the entire assembly process.**

### Step 1



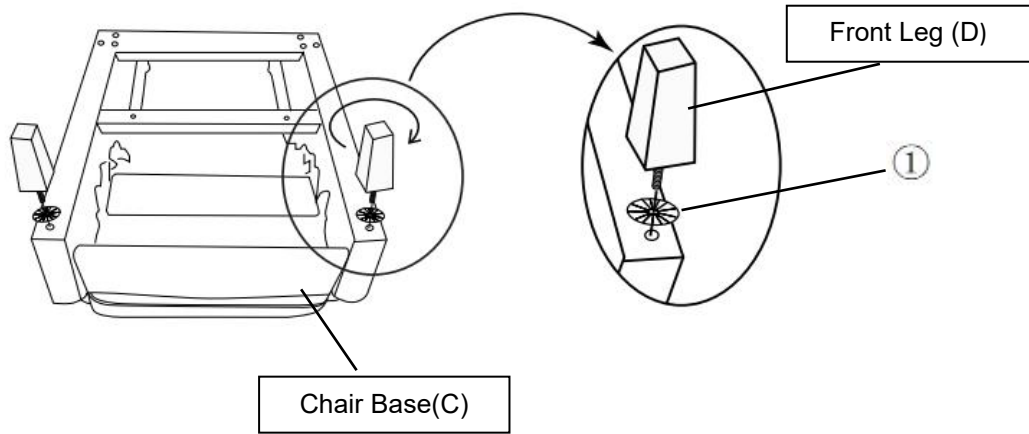
Place the Chair Base(C) on a clean non-marring surface.  
Lay Chair Backrest(A) and inner box aside.  
Open the inner box and take out the Four Legs and Hardwares.

### Step 2



Turn the Chair Base(C) upside down on a clean, non-marring surface. Extend the Footrest to Open.  
Carefully take out Inner Box stowed as shown above. Open it, and You will find Wings(B1)&(B2).  
Stow the Footrest to Original Position.

### Step 3



Keep the Chair Base(C) in the same position, first .install the Front Leg(D)at the bottom of the Chair by placing one Plastic Washer(1) on the threaded stem,Then insert threaded stem into the threaded mounting position at the corner of the chair.

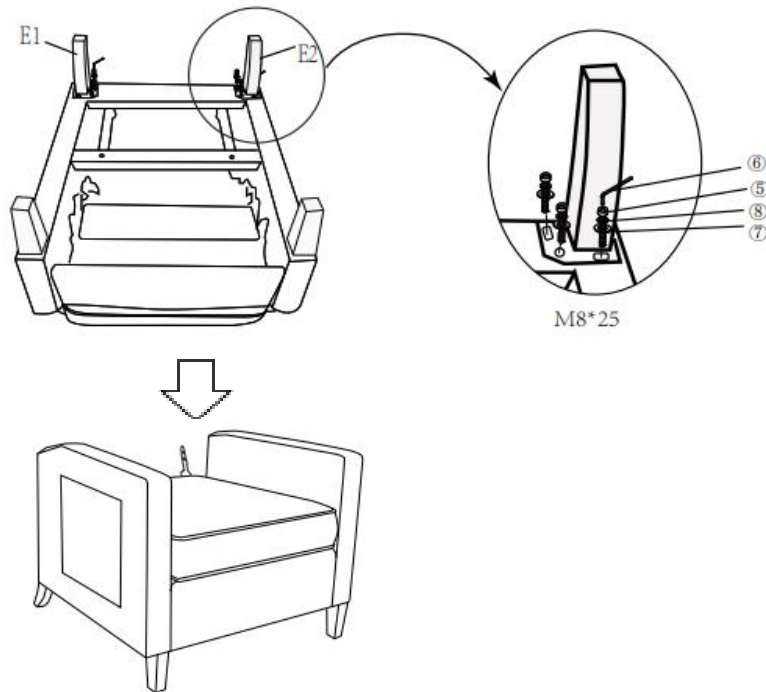
Tighten by turning the Leg Clockwise,DO NOT OVER TIGHT

Repeat the same step to install the remaining another Front Legs(D).

Take care of the shape of the Legs and ensure they are in the correct position.

**Note:**The use of the Plastic Washer are **OPTIONAL** and are especially useful to help alleviate slight wobbleness.Some legs may need more than one Plastic Washer whilst some legs may not need any.

### Step 4

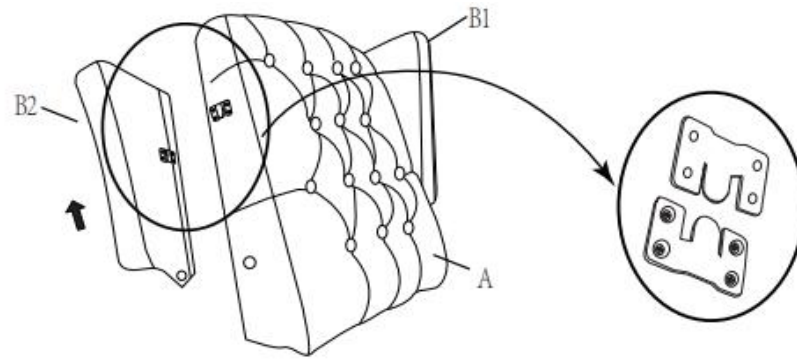


Position the Chair Base(C) on its back, as shown.

Attach the Right Back Leg(E1) to Chair Base(C) using Bolt (5),Washer (7)and Spring Washer(8) with Allen Wrench(6).

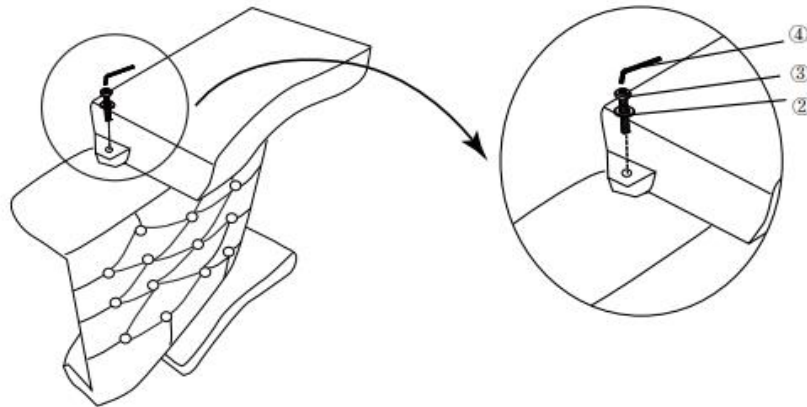
Repeat the same steps to install the remaining Left Back Leg(E2),as shown above.

**Step 5**



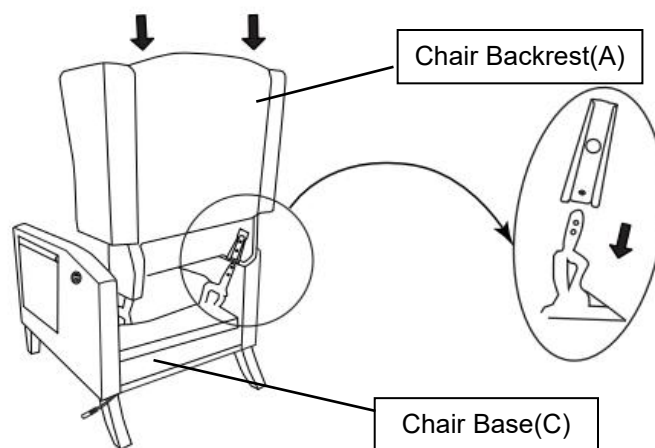
Position the Chair Backrest(A) on it's right side. Align the mounting positions of the Right Wing(B1) to the right side of Chair Backrest(A) and Repeat the same step to install the Left Wing(B2) to the left side of Chair Backrest(A) as shown above.

**Step 6**



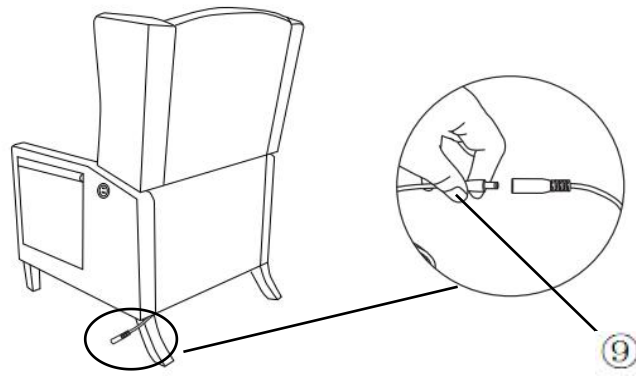
Attach Left Wing(B2) and Right Wing(B1)to the Chair Backrest(A) using Bolts(3) and Flat Washer(2) with Allen Wrench(4).Fully tighten it until secure.

**Step 7**



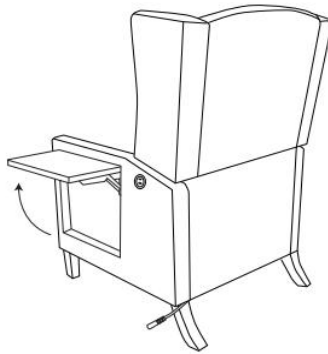
With assistance from your adult partner,hold up the fully assembled backrest with Wings,stand behind the chair.Insert the small metal arms on the sides of the Chair Backrest(A) into the prefabricated slide lock gadget on the Chair Base(C) as shown above. Firmly but gently, push the Chair Backrest(A) downwards until the Backrest is fully slotted and locked into position.

**Step 8**



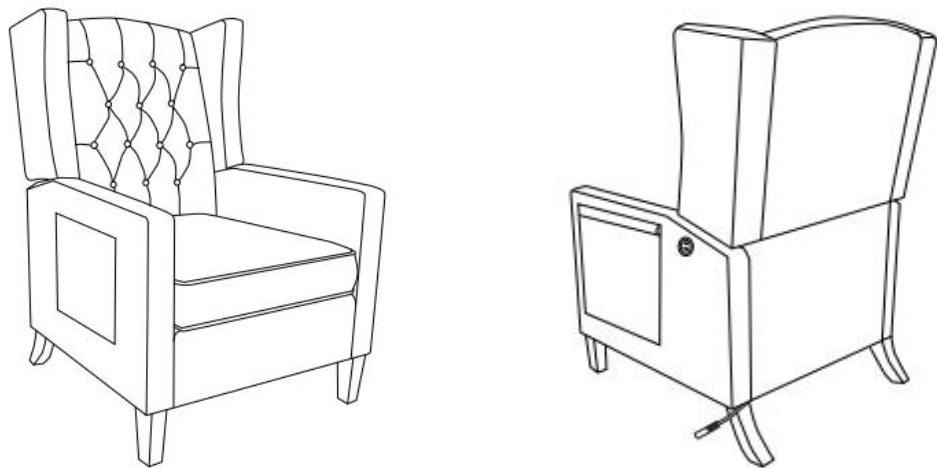
As shown in the picture, the power cord can be used normally.

**Step 9**



As shown in the picture, the side can be opened to place items.

**Step 10**



Your Recliner Chair is ready for use.  
This Recliner Chair can only be used on a flat, level surface.

# User Instructions.

## Recliner Chair

Please read the Instruction Manual below carefully before use.

This is a Recliner Chair. At anytime in a reclined seat position or in the upright position. You may enjoy the rocking motion by using your body weight in a back-front rocking motion.

Supervise children, when in use of this Recliner.

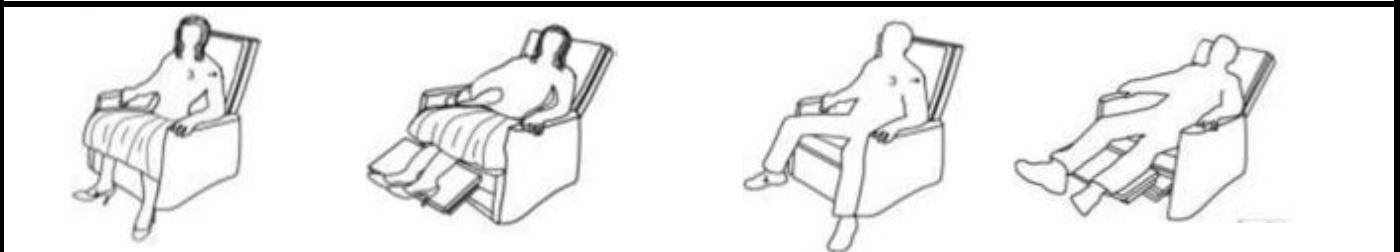


### Incorrect way to use

Do not allow children to play on the chair.  
Always leave the chair in an upright and closed position after use.  
Keep hands and feet clear of the footrest mechanism and ANY gaps.  
Only the occupant should operate the Chair.

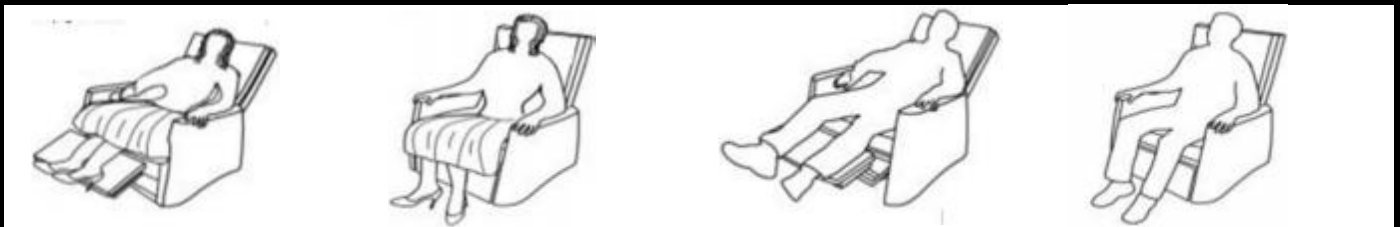
### To get into a reclined posture - To Recline backrest

Sit into the seat.  
Place your feet apart .  
Place your left and right arm onto the armrest.  
Synchronise a backward push with your arms.  
Use your body weight and push backwards into the seat into a fully reclined position.














### To get out of chair - move Seatback into Upright Position

Tilt your body weight slightly forward and upwards.  
The seat back will come up to an upright position.  
Where necessary, use either your arms help lift- push yourself out of the seat.





### Care & Maintenance

- ✓  • Furniture may scratch floors. We recommend using furniture pads to protect your floors.
- ⊘  • Do not put hot items directly on furniture surface.
- ⊘  • Do not clean furniture with harsh cleansers or polish.
- ⊘  • Do not place furniture under direct sunlight.
- ⊘  • Do not place furniture near heating or cooling vents.
- ⊘  • Do not write on furniture without a padded barrier to protect the surface.
- ⊘  • Do not place furniture outside . For indoor use only.
- ⊘  • Not for commercial use. For residential use only.
- ⊘  • Stains may be removed with mild soap solution and damp cloth.
- ⊘  • Children should not climb or jump on the furniture.
- ✓  • Dust and pick-up spills using a clean, non-colored, lint-free cloth.