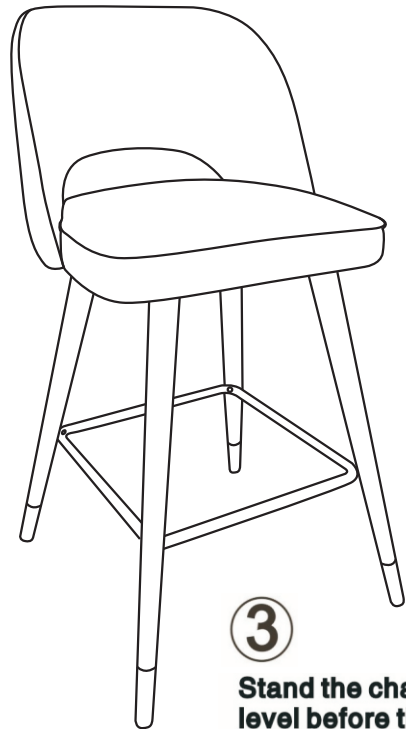
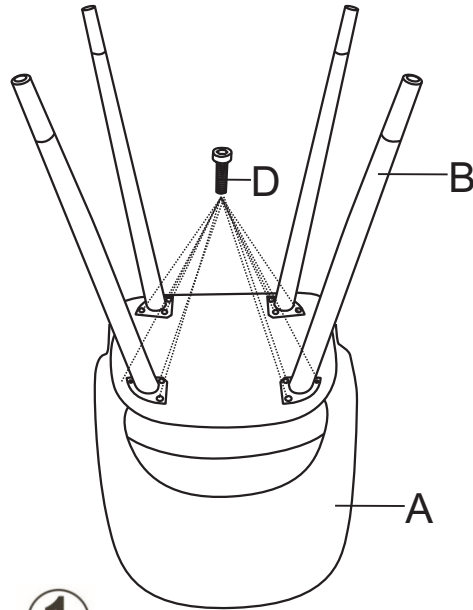


# ASSEMBLING INSTRUCTION



③

Stand the chair upright & ensure it is level before tightening all screws, Then tight all the screws to 100%

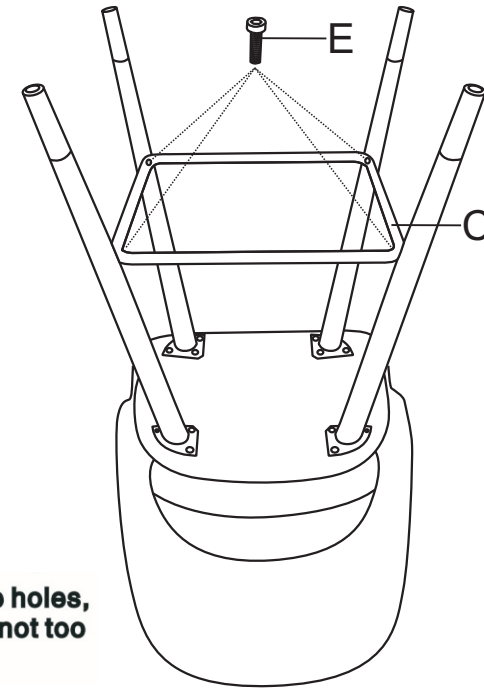





①

Put the screws in the holes, tight the screws, but not too tight, 90% is ok.

②

Put the screws in the holes, tight the screws, but not too tight, 90% is ok.



<p>A</p>	<p>B</p>	<p>C</p>
<p>Back 1PC</p>	<p>Leg 4PCS</p>	
<p>D  M6*25MM 12PCS</p>	<p>E  M6*30MM 4PCS</p>	<p>F </p>