

# HAPPINESS HAPPINESS INSTALLATION



## CAUTION

Parts are placed at the bottom of the product.

- If you have any questions with the product, please contact us by:
- **Email: [customerservice@zoy-living.com](mailto:customerservice@zoy-living.com)**  
(we will reply to you within 24 hours)

# Assembly Instructions







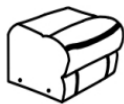



Model: RR7313C

## CAUTION

**DO NOT** use any sharp objects to open plastic wrapped components as this may result damage to product or components .

Your recliner comes packaged in four boxes. Carefully remove all of components from the packaging and setaside for assembly.

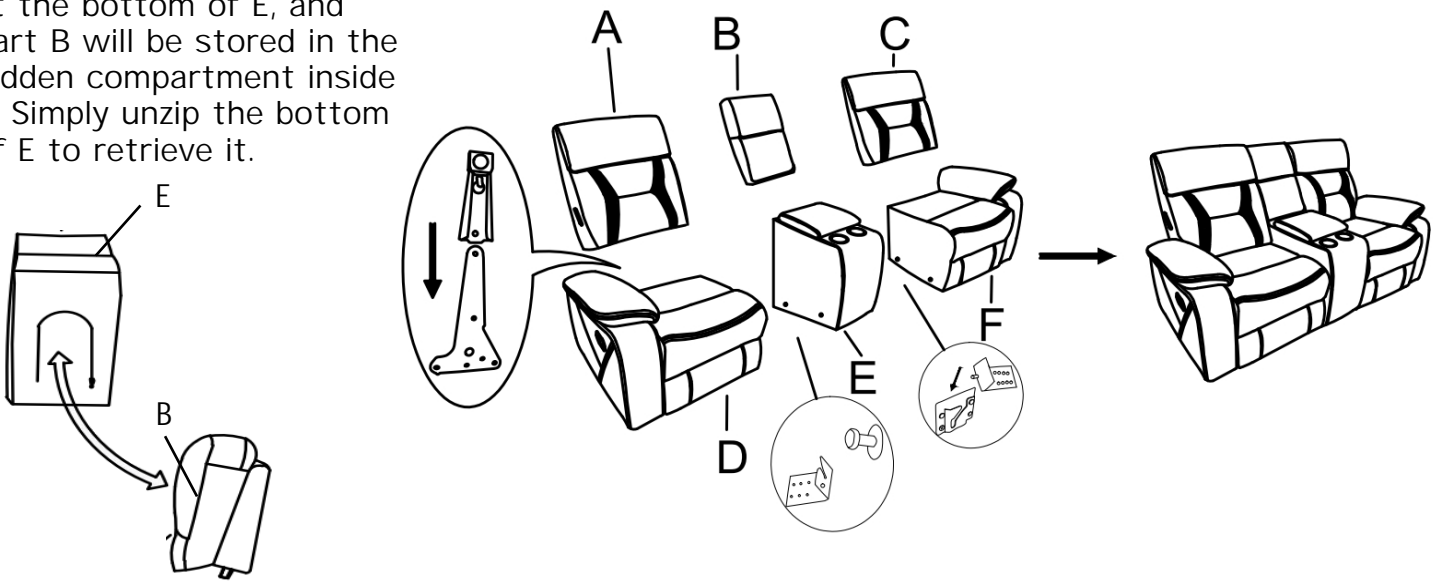
## Package Contents

			BOX1 RR7313CF51L
A*1 Left Backrest	D*1 Left Sofa Seat	G*1 Left Studded Border	
			BOX2 RC7313CF61N
E*1 Storage	B*1 Back Frame		
			BOX3 RS7313CF61N
I*1 Middle Backrest	J*1 Middle Sofa Seat		
			BOX4 RR7313CF51R
C*1 Right Backrest	F*1 Right Sofa Seat	H*1 Right Studded Border	

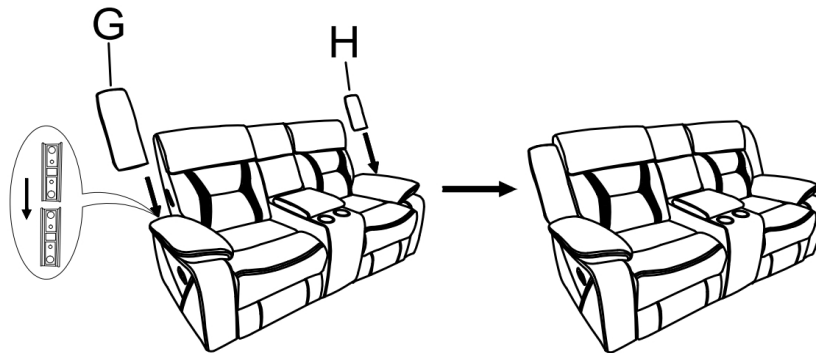
# 1 RECLINER ASSEMBLY - BODY SETUP

**Step 1** Attach Left Right Backrest and Back Frame (A, C & B) to Left Right Sofa Seat (D&F) and Storage (E) by aligning the metal grooves on backrest of the sofa seat and backrests as shown. Put Left sofa Seat (D) and Storage (E) with Right Sofa Seat (F) together by aligning the metal grooves as shown.

**Attention:** Open the zipper at the bottom of E, and part B will be stored in the hidden compartment inside E. Simply unzip the bottom of E to retrieve it.



**Step 2** Attach Left and Right Studded Border (G&H) to Left and Right Backrest (A & C) by aligning the metal grooves as shown.



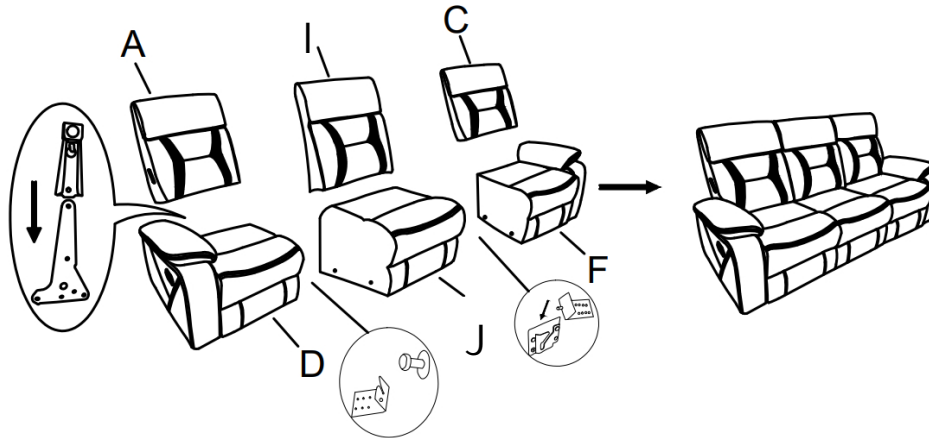
**Attention !**

Ensure the backrest is fully inserted to the bottom along the metals grooves avoid tilting or moving. And please not sit on the armrests for the user's safety.

# 2 RECLINER ASSEMBLY - BODY SETUP

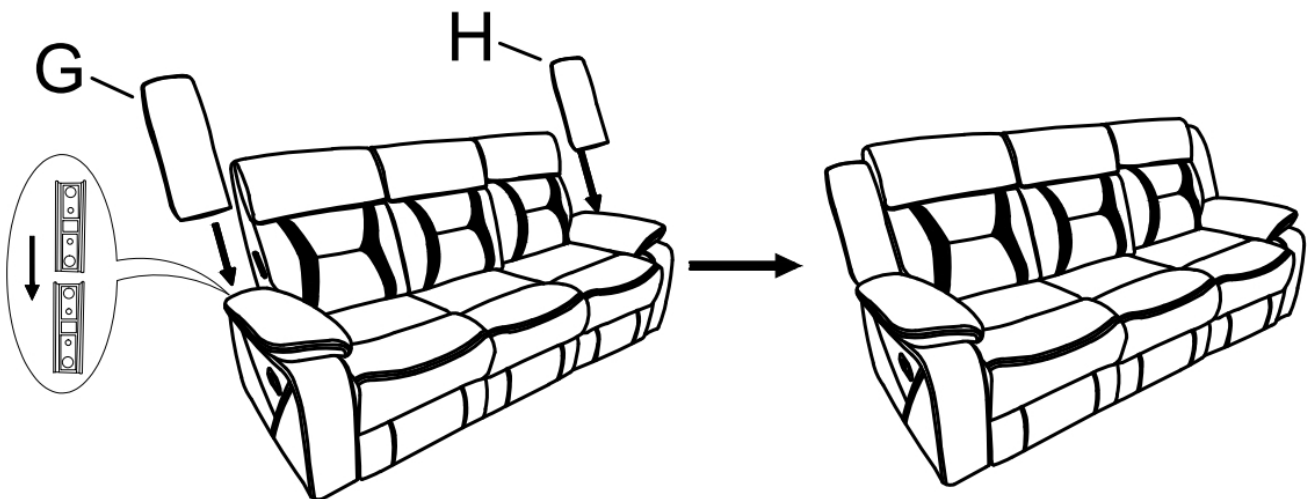
## Step 3

Attach Left Right Backrest and Middle Backrest(A, C&I) to Left Right Sofa Seat and Middle Sofa Seat(D,F&J) by aligning the metal grooves on the backrest of the sofa seats as shown. Put the Left Right sofa Seat(D&F) with Middle Sofa Seat(J) together by aligning the metal grooves as shown.



## Step 4

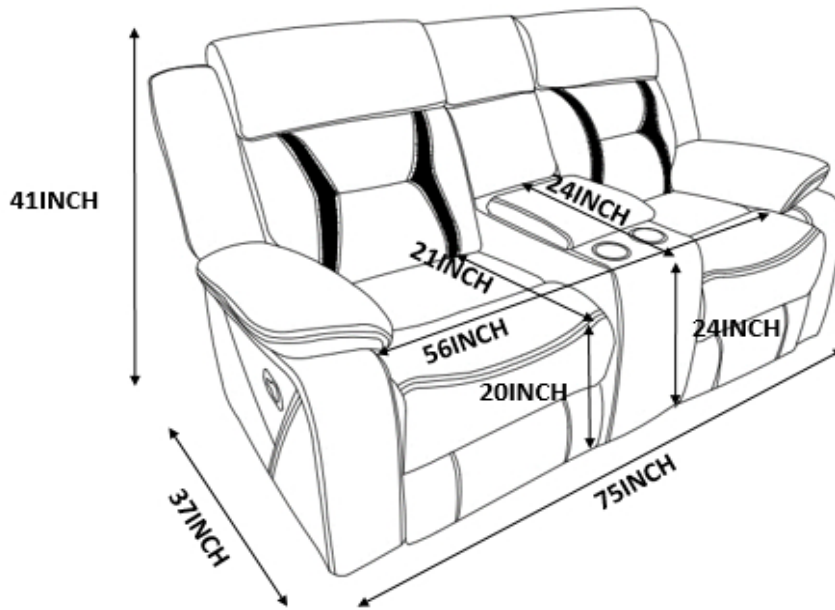
Attach Left and Right Studded Border(G&H) to Left and Right Backrest(A&C) by aligning the metal grooves as shown.



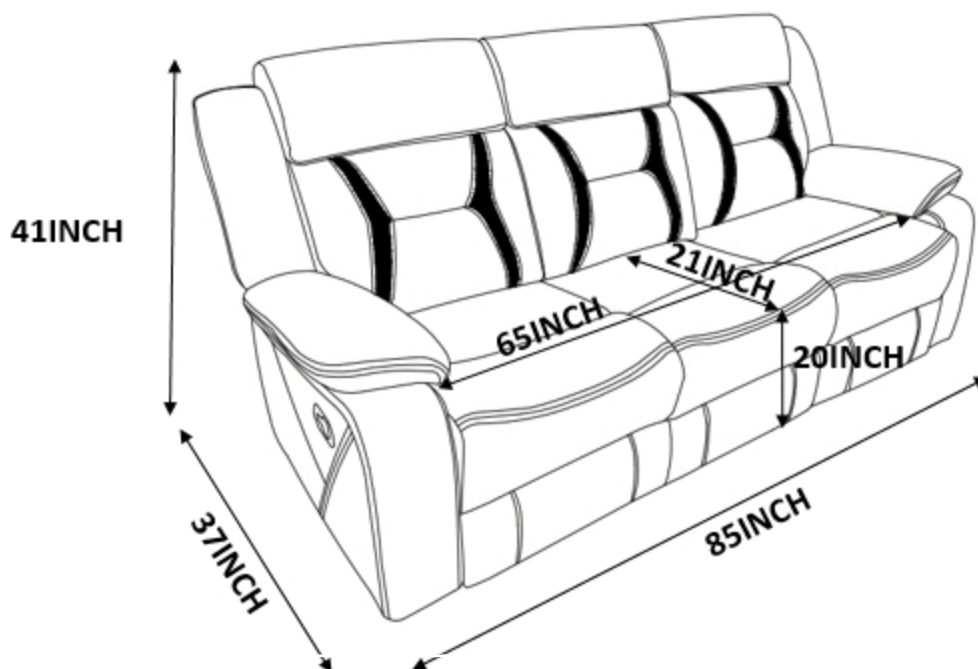
### Attention !

Ensure the backrest is fully inserted to the bottom along the metals grooves avoid tilting or moving. And please not sit on the armrests for the user's safety.

# 3 INSTRUCTIONS FOR USE - SIZE DIMENSIONS



RR7313CF51L+RC7313CF61N+RR7313CF51R



RR7313CF51L+RS7317CF61N+RR7313CF51R

## Warnings

1. Please check if the components of the **sofa** are all included and can be used normally.
2. Assemble all components according to the instruction correctly before you connect the chair to the power.
3. Please **DO NOT** sit on the armrests or footrest to eliminate the risk of tipping over.
4. If the chair is damaged or doesn't match the website description, please send clear pictures of the product and label of the carton to our service team for further help.
5. If the recliner doesn't work, you may try the following measures for self-checking firstly:
  - a) Check if all the cables are connected;
  - b) Check if the light of transformer is on.

If the chair still doesn't work, please feed the information back to our customer service in time and we'll help you solve the matter as soon as possible.

6. If you have any questions with the product, please contact us by:

Email: [customerservice@zoy-living.com](mailto:customerservice@zoy-living.com) (we will reply to you within 24 hours)

