

# ASSEMBLY INSTRUCTIONS

## ITEM DESCRIPTION : OPEN SLOT CONSOLE



1

Reverse the console & place the leg as shown & align the leg to match the apron.



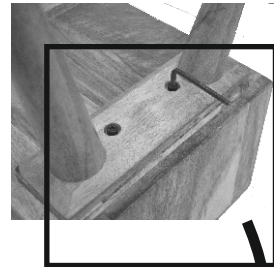
Insert the Bolt to fix the leg with the console top and tighten the nut with the washer as shown in fig1

2



3

Fix the other leg in the similar way



Reverse the desk straight. Now your console is ready for use

4

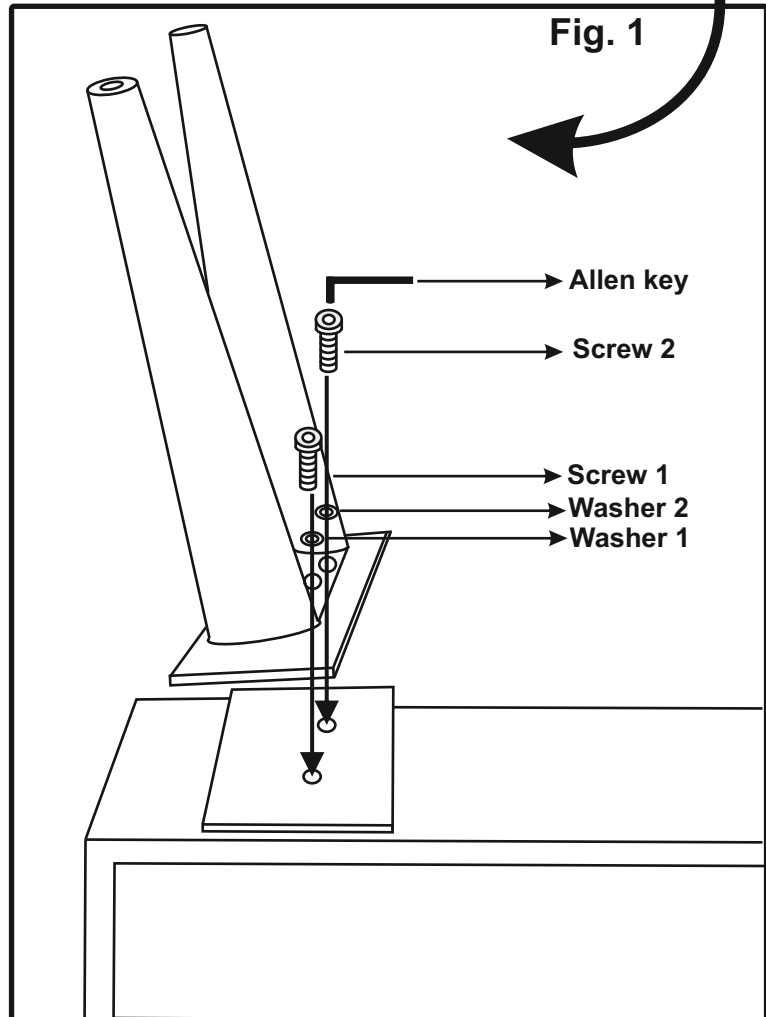


Fig. 1