

ULTRA PRESSURE BALANCE VALVE

Pressure Balance Valve and Rough Assembly UFP-PBV7

STANDARD SPECIFICATIONS

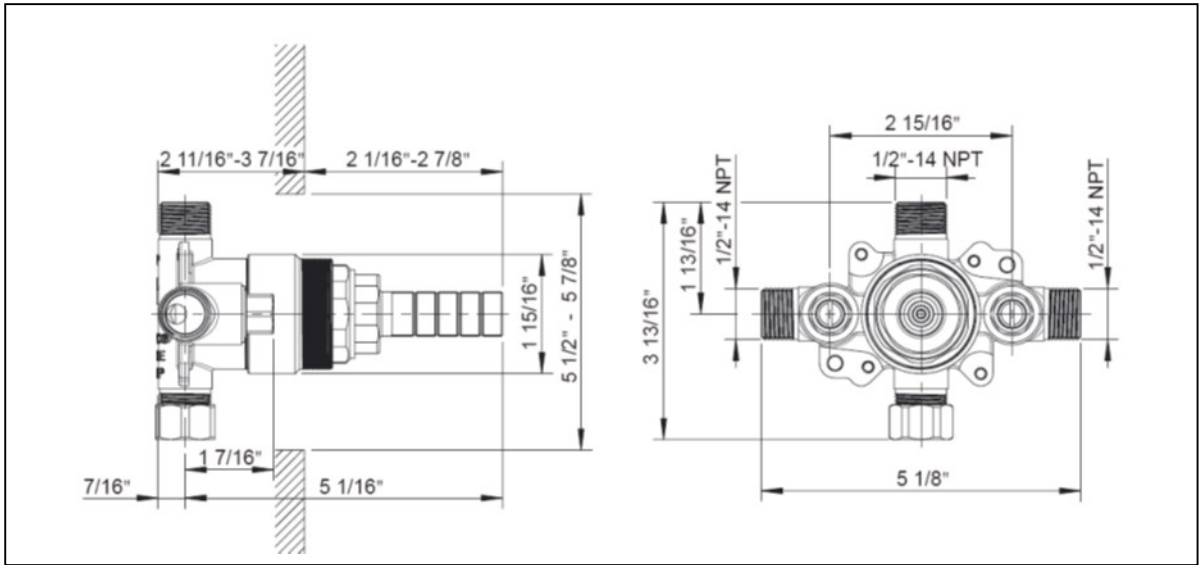
- Ceramic disc cartridge
- Forged brass valve body
- Built-in check valves
- Built-in stop valves
- 1/2" CC and IPS connections

WARRANTY

- Limited lifetime warranty on workmanship and materials to the original purchaser

COMPLIES WITH

- NSF 61-9
- ASME A112.18.1
- CSA B125.1
- cUPC



tel. 888-OK-ULTRA (658-5872) • fax. 949-252-9989 • <http://www.ultrafaucets.com>

This specification is provided for reference only. Ultra Faucets reserves the right to modify specifications and materials without notice or obligation.

- **Wedge Collection**
- **Single-Handle Shower Only Trim**

STANDARD SPECIFICATIONS

- Single function 8" showerhead
- Brass escutcheon
- Zinc handle
- Flow Rate: Showerhead: 1.8gpm Max @ 80psi
- cUPC certified
- ADA compliant
- Finishes: Polished Chrome / PVD Brushed Nickel / Oil Rubbed Bronze / Matte Black



FINISHES INCLUDE

- Chrome (UF70800-1)
- PVD Brushed Nickel (UF70803-1)
- Oil Rubbed Bronze (UF70805-1)
- Matte Black (UF70807-1)

WARRANTY

- Limited lifetime warranty on workmanship and materials to the original purchaser

COMPLIES WITH

- NSF 61-9
- ASME A112.18.1
- CSA B125.1
- IAPMO/UPC/cUPC
- AB1953

