



LIGHT SOURCE DATA

- 40W Max E14 SES (required)
- Lamp direction - Indirect
- Non-dimmable
- Energy range: A++, A+, A, B, C, D, E

DIMENSION DATA

- Height 200mm
- Diameter 100mm
- Weight .22kg

SPECIFICATION

- Gold
- IP20
- In-line On/Off Switch
- Class II - Double Insulated, No Earth
- 240V
- Assembly required? No
- 1.3m length cable from base to plug

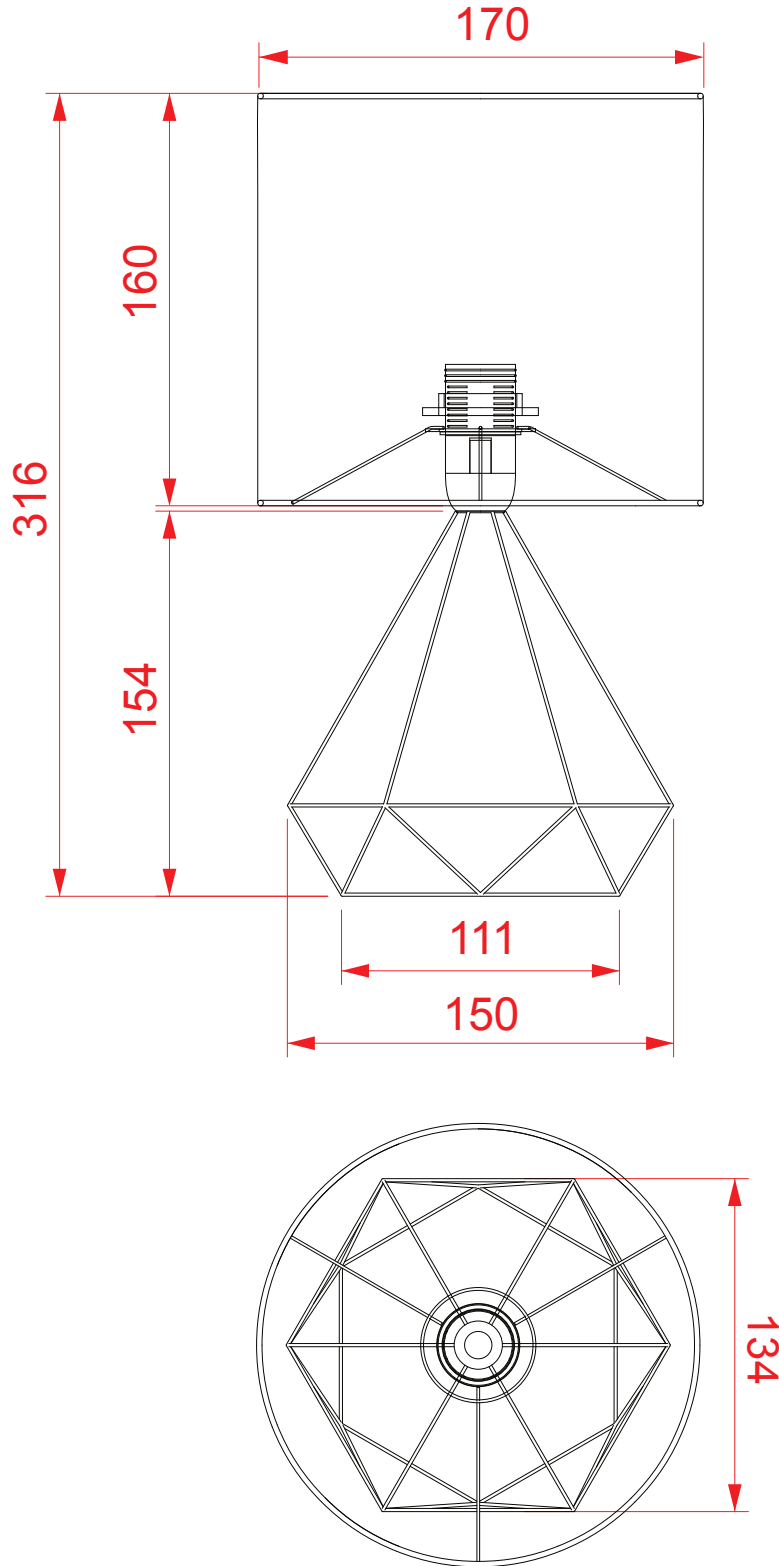
CERTIFICATION



CONTACT

www.firstchoicelighting.co.uk

info@firstchoicelighting.co.uk



CERTIFICATION



CONTACT