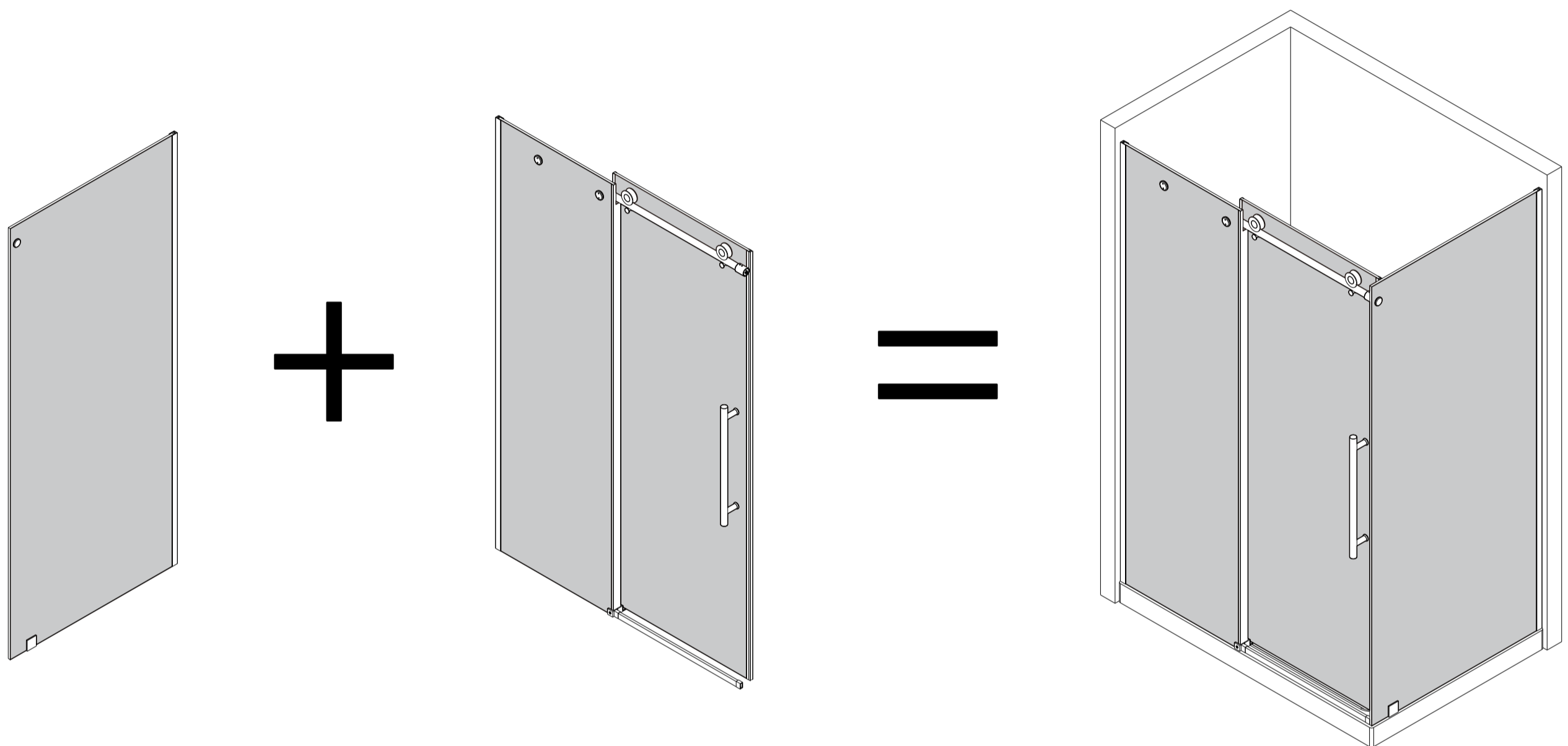


Serial Number: SDB01/02-22

Shower Door Installation Instructions

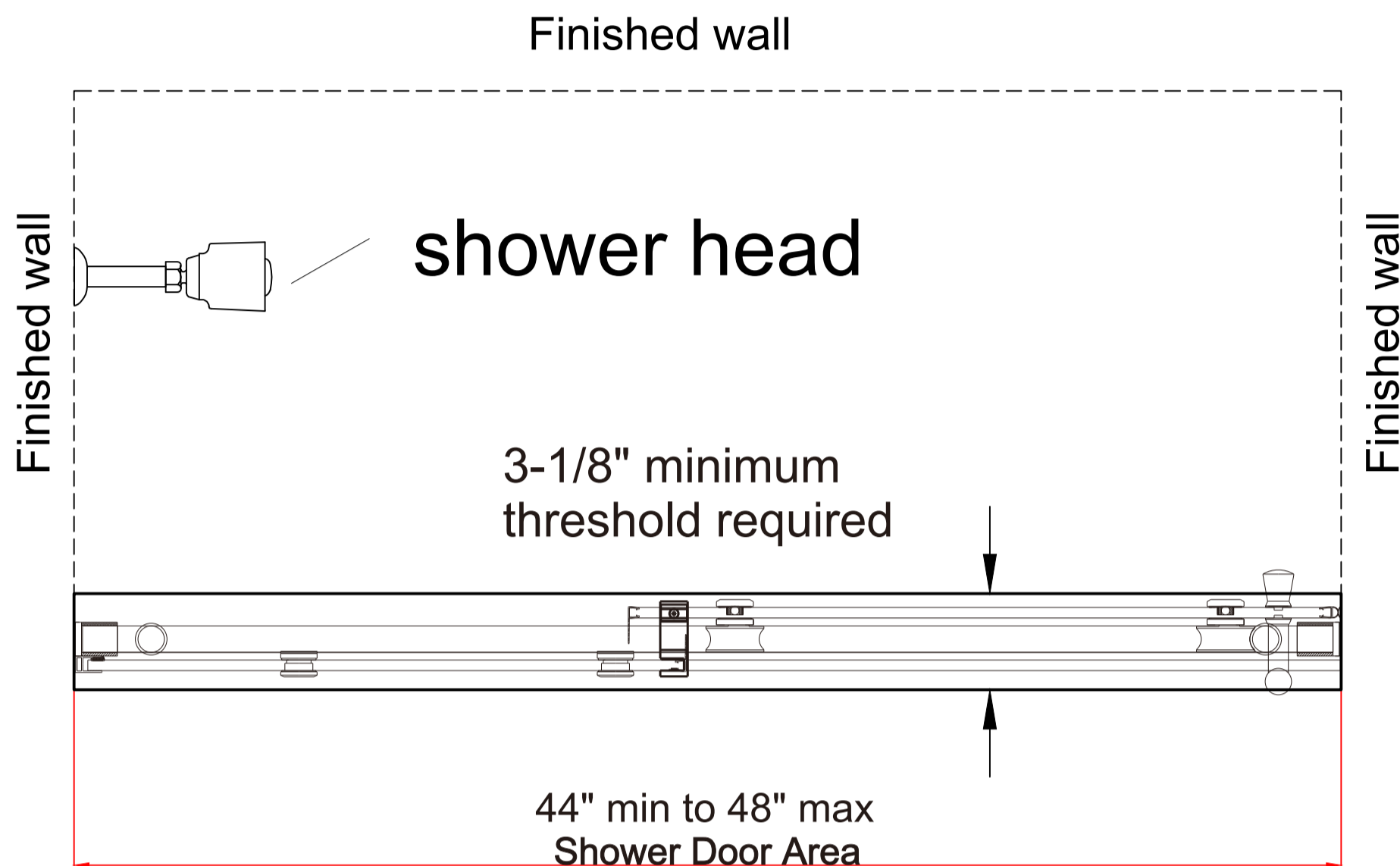


Reversible For a Left or Right Door

**Please Do Not Return the Product to the Store.
Contact us with any questions.**

SHOWER ENCLOSURE PLAN

Overall outside dimensions shown for the installed enclosure



NOTE: DOOR Glass should be installed on the same side of **Shower head**.

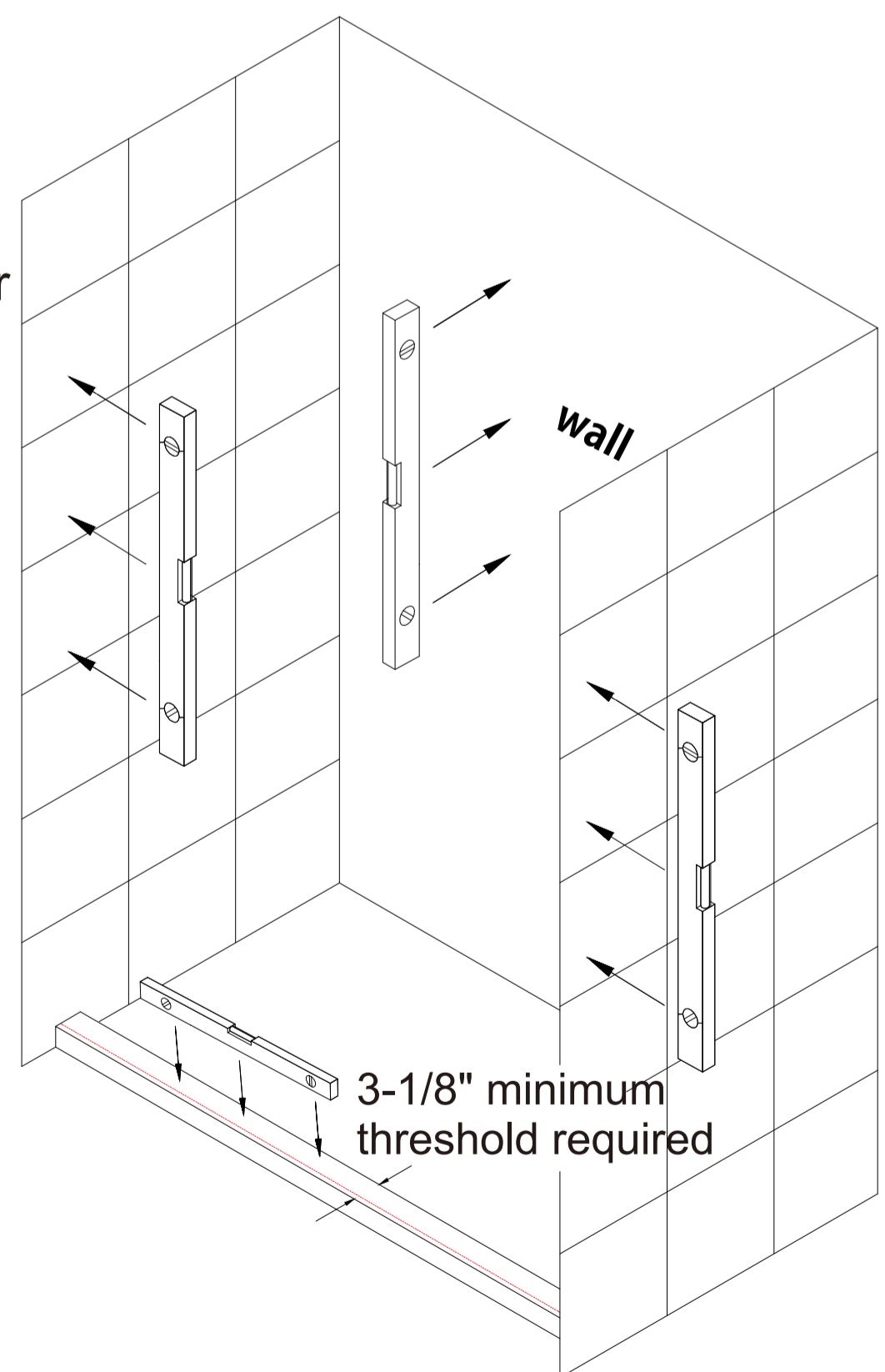
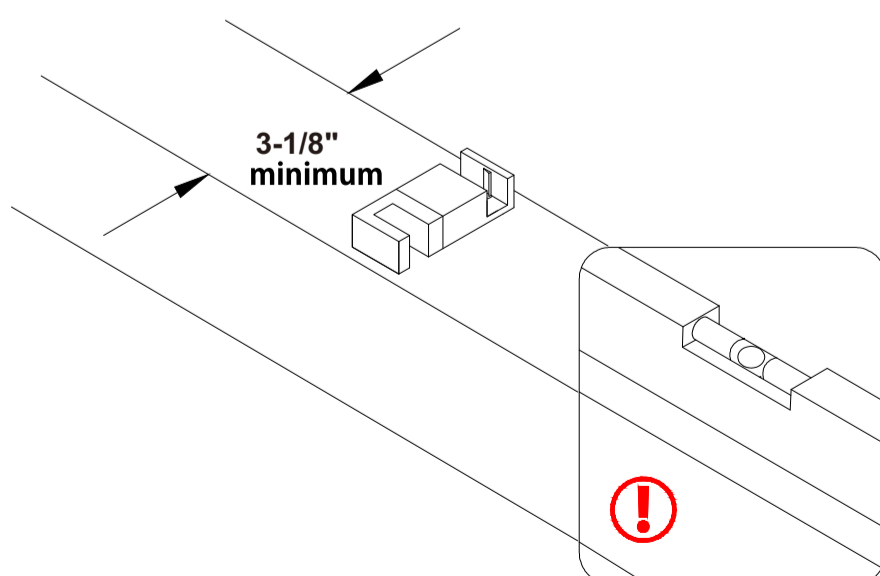


When constructing or installing a shower base, consider how the thickness of the wall treatment (wallboard, tile, etc.) will affect where the shower enclosure will sit on the threshold. Compare the overall outside dimensions of the shower enclosure model size as shown on the "Shower Enclosure Plan" with the finished threshold before proceeding with the installation.

1/4" (6mm) Out-of-Plumb Adjustment within the Wall Profile; Verify threshold and walls with a level.



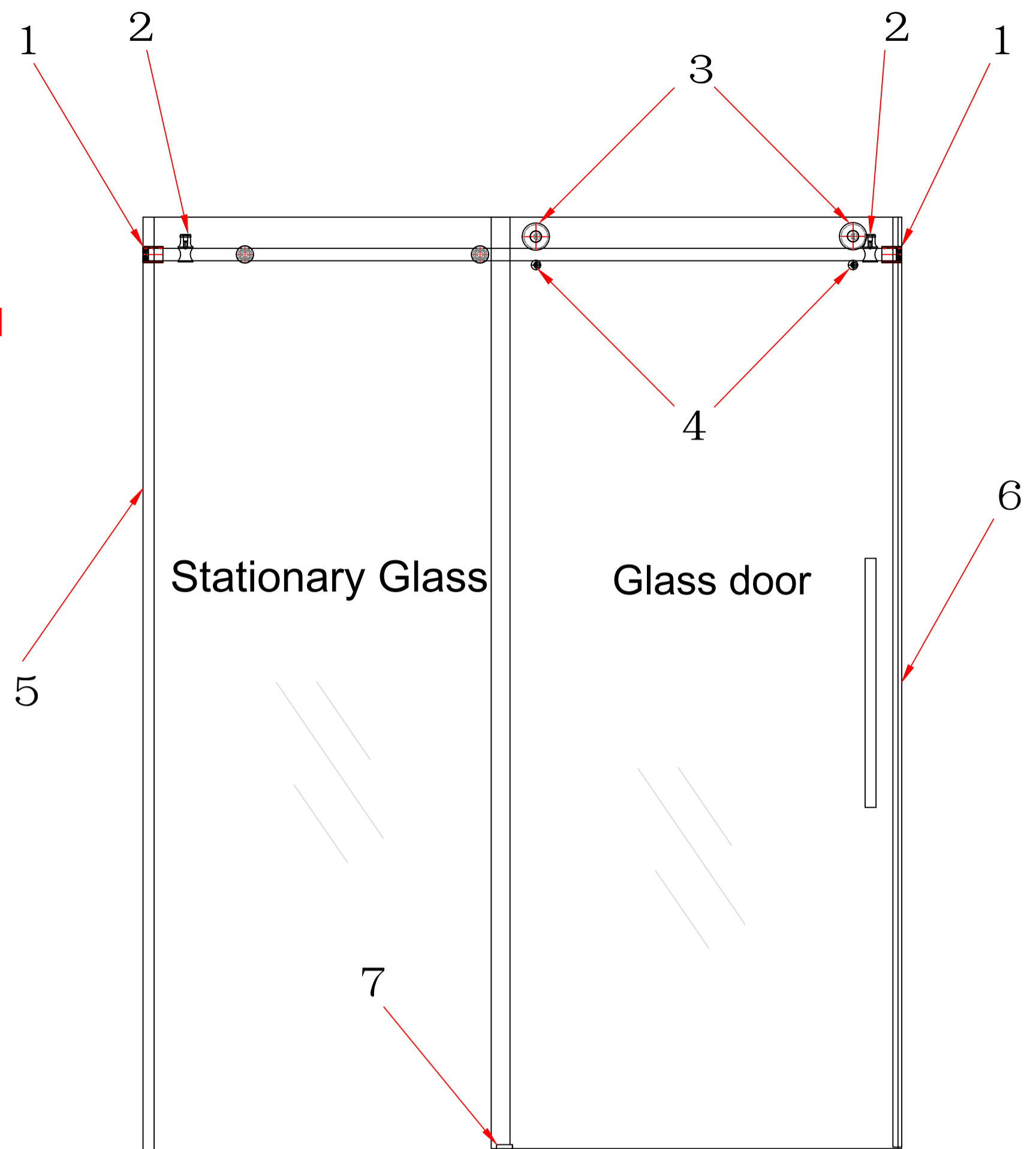
Note: The minimum threshold requirement is 3-1/8" of flat threshold space.



SHOWER DOOR



**IMPORTANT INFORMATION
REGARDING THE INSTALLATION
OF THIS SHOWER DOOR**



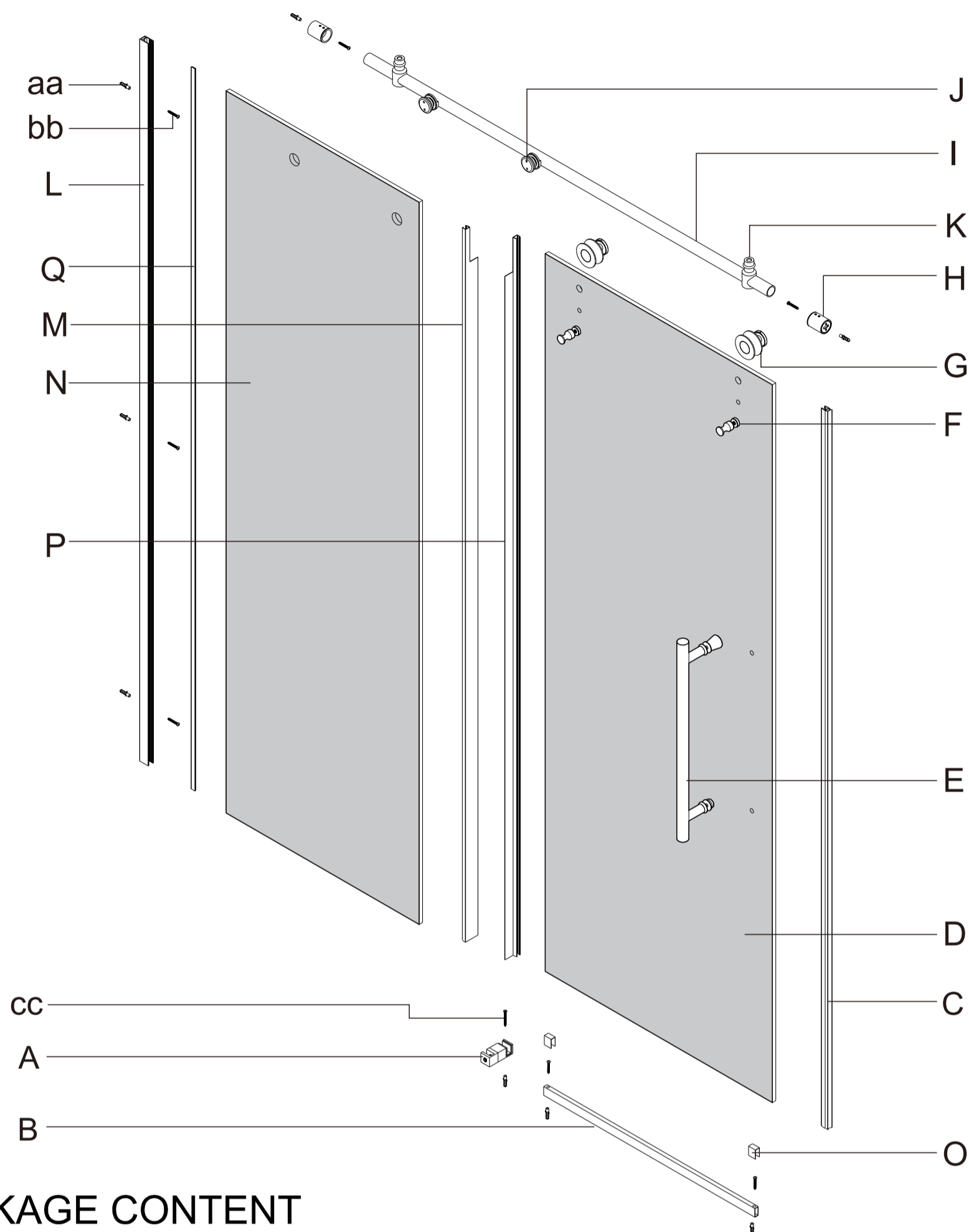
Left hand door installation shown as an example

- 1 **Guide Rail Brackets** must be firmly attached to the wall. Installation into a stud is strongly recommended. All of the guide rail bracket set screws must be tightened.
- 2 Thread Lock must be applied to both **Stopper Set Screws**. Panel-side and Door-side **Stoppers** must be installed at the proper position to stop the door from contacting the wall.
- 3 **Roller Wheel Big Bolt** must be re-tightened after installation.
- 4 **Roller Guards** must be positioned and secured within 1/16" of **Upper Guide Rail**.
- 5 **Wall Jamb** must be installed vertically to ensure that the installation is stable and secure, and the screws should be tightened.
- 6 **Bumper Strip** must be installed on the closing edge of the **Glass Door**.
- 7 **The Guide Block** installed square to the **Stationary Glass** and **Glass Door**. Installing the guide block crooked may damage the bottom edge of the **Glass Door** and lead to breakage.

**PLEASE READ THE ENCLOSED INSTALLATION
MANUAL FOR DETAILS REGARDING PROPER
INSTALLATION.**

SHOWER DOOR

PACKAGE CONTENT



PACKAGE CONTENT

PART#	DESCRIPTION	QTY
A	Guide Block	1
B	Threshold	1
C	Bumper Strip	1
D	Glass Door	1
E	Handle	1
F	Roller Guards	2
G	Rollers	2
H	Guide Rail Brackets	2

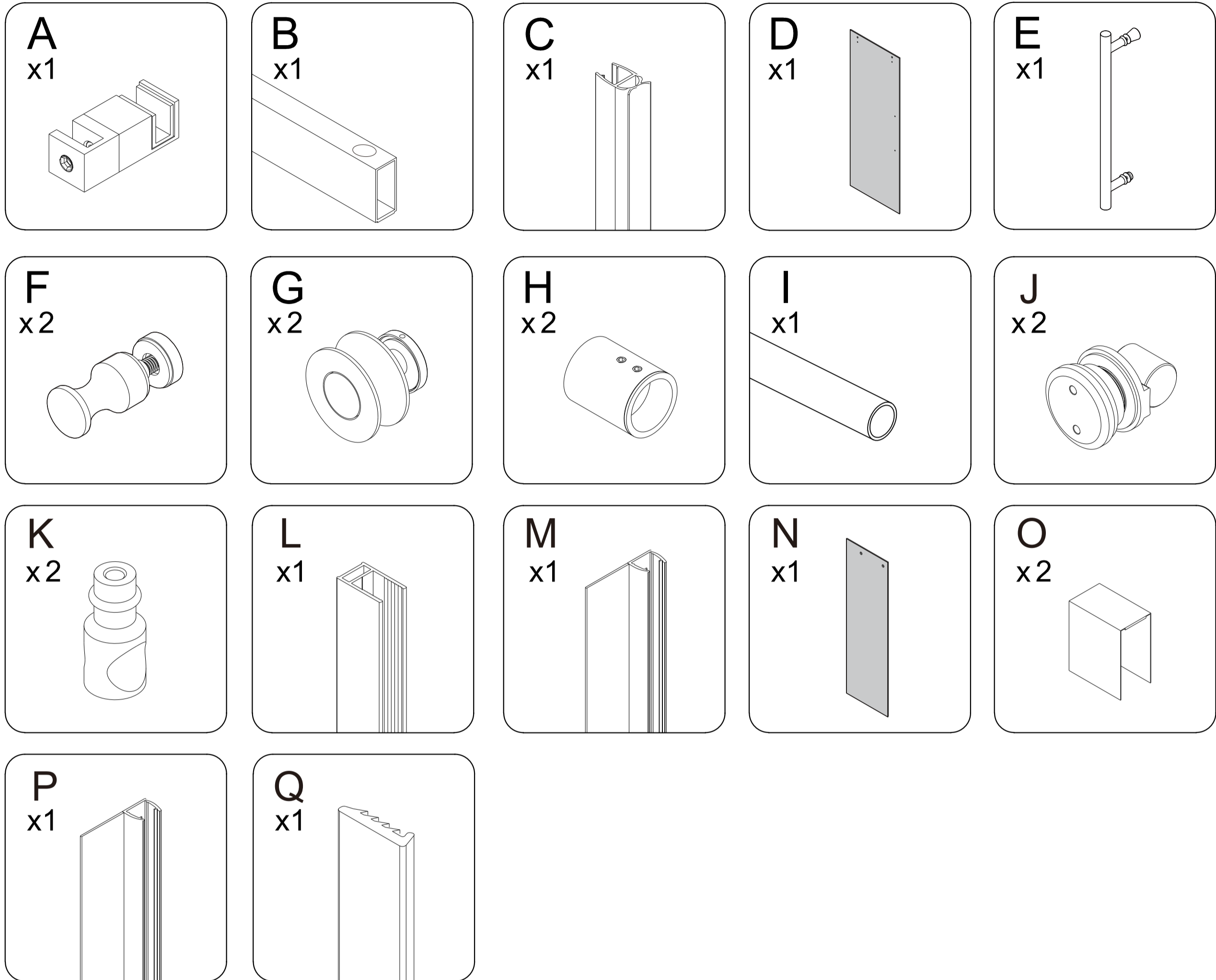
PART#	DESCRIPTION	QTY
I	Upper Guide Rail	1
J	Glass Brackets	2
K	Door Stoppers	2
L	Wall Jamb	1
M	Anti-Water Strips	1
N	Stationary Glass	1
O	Threshold cover	2
P	Anti-Water Strips	1
Q	Wedge Seal	1

NOTE

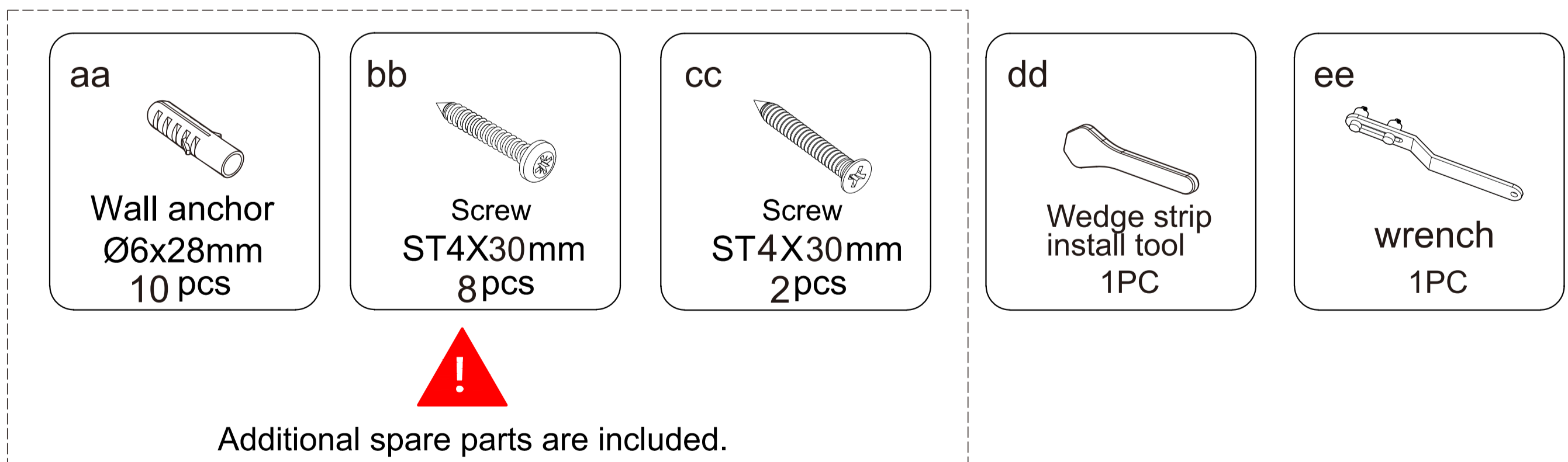
Inspect all parts for missing prior to installation!
Contact us for any part missing.

SHOWER DOOR

PACKAGE CONTENT



HARDWARE CONTENT

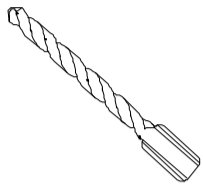


NOTE

Inspect all parts for missing prior to installation!
Contact us for any part missing.

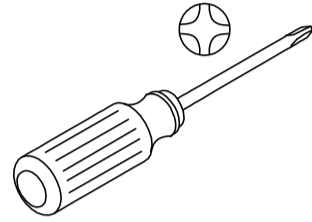
TOOLS REQUIRED

Drill Bits

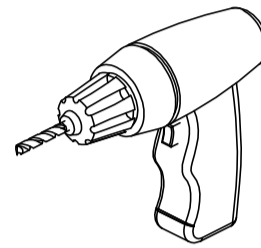


Ø1/8" & Ø1/4" (3&6mm) dia.
HSS

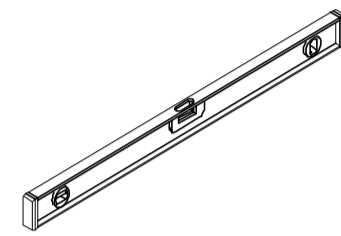
Phillips screw driver



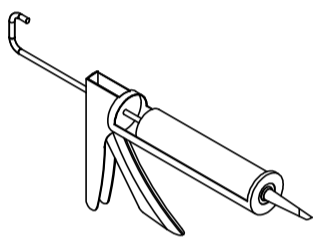
Electric hand drill



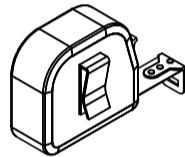
Level



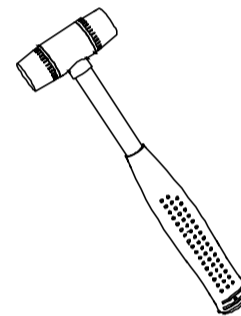
Caulking gun



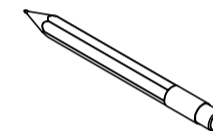
Measuring Tape



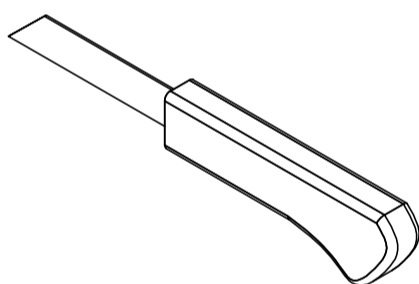
Soft Head Hammer



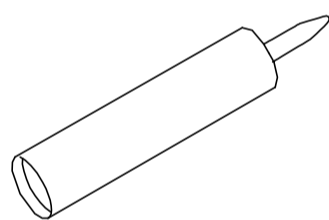
Marking Pencil



Utility Knife



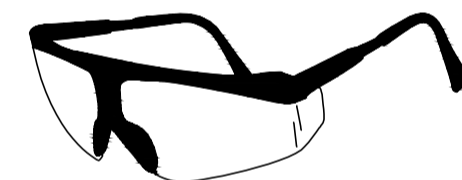
Sealant



MASONRY DRILL BIT FOR TILE
Ø6mm



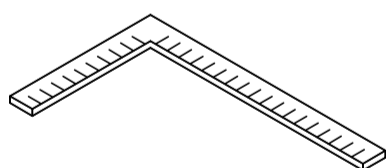
Safety Glasses



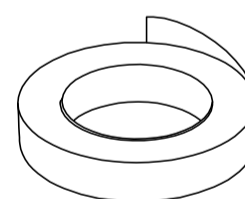
Gloves



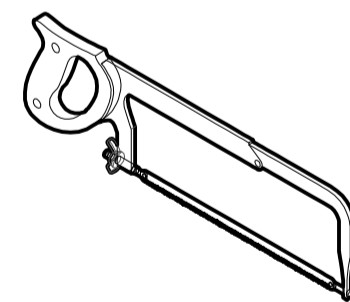
Carpenter's Squarer



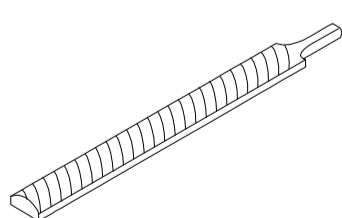
Masking or painter's tape



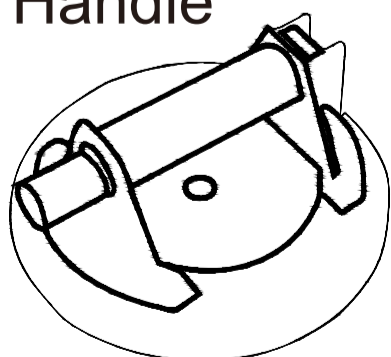
Hack Saw



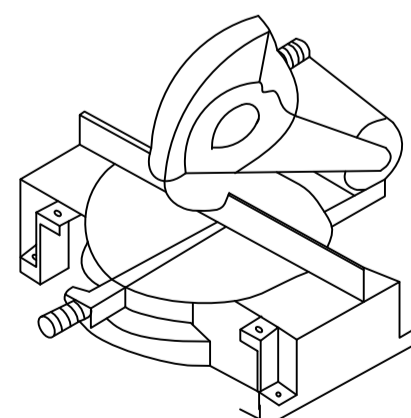
Metal File



Glass suction Handle



Miter Saw



SAFETY INFORMATION

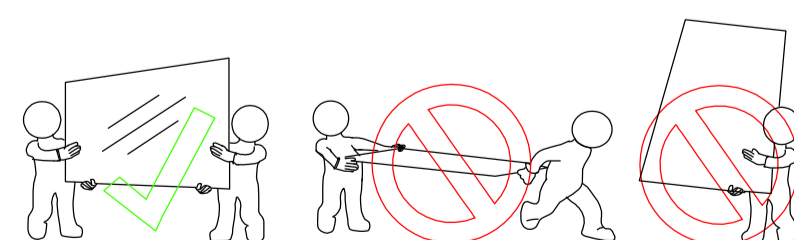
CAUTION

Please carefully read the following important safety information before handling or installing this shower door . There is a risk of serious injury while handling this product.

To minimize these risks, please note:

- Always wear safety glasses and gloves while handling.
- Always follow the installation instructions.
- Inspect glass for damage before installation.
- Extreme caution should be taken while handling the glass during installation as the tempered glass may shatter if in contact with a hard surface.
- Do not cut or modify the tempered glass as it will shatter if cut.
- Carefully remove product from packaging and keep packaging until installation is complete.
- Inspect all parts for damage or missing; if there is damage or part missing to the unit prior to installation, please contact customer service at the number provided in this guide.
- Cover the drain with tape to prevent the loss of small parts.
- The shower base and finished walls should be installed before beginning the shower door installation.
- During the installation,protect the shower floor with a drop cloth to avoid damage.
- This product should be installed by two people who are familiar with construction requirements. Professional installation is recommended!
- Keep this installation manual for future reference.

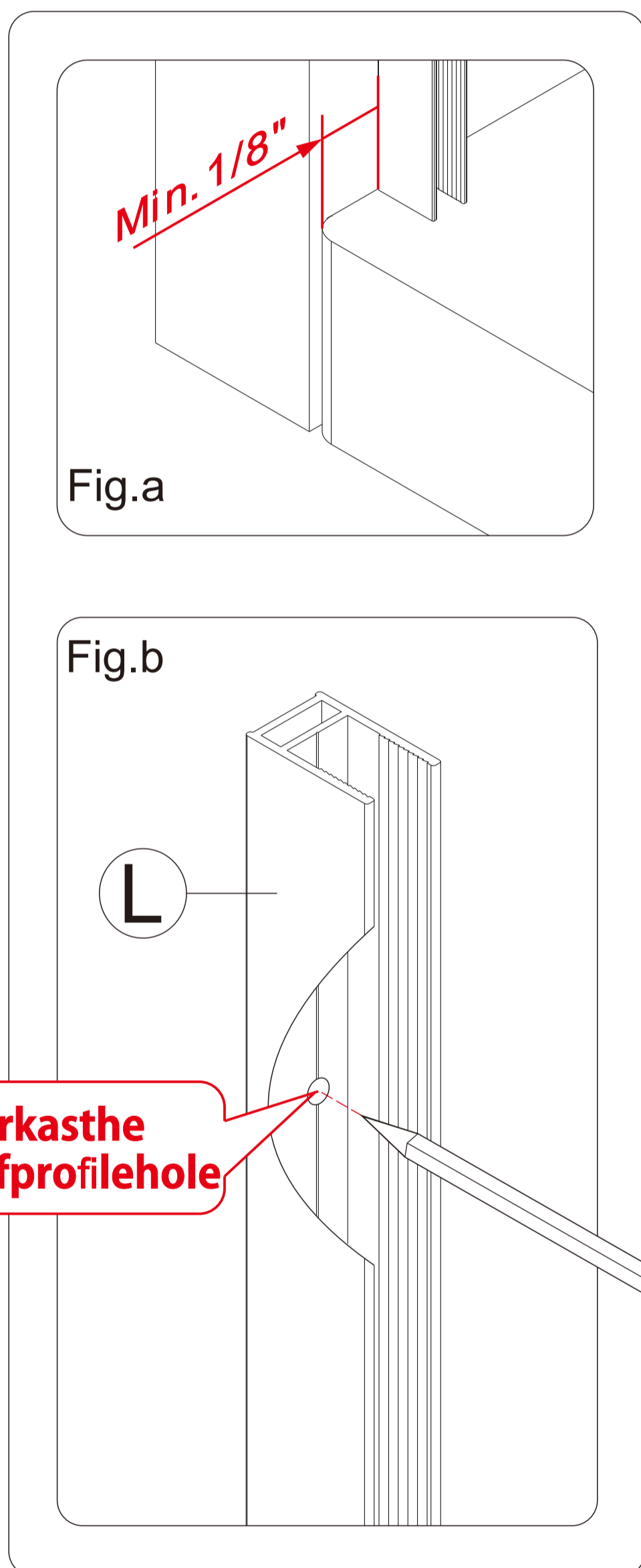
NOTE: Two people should perform this installaton.



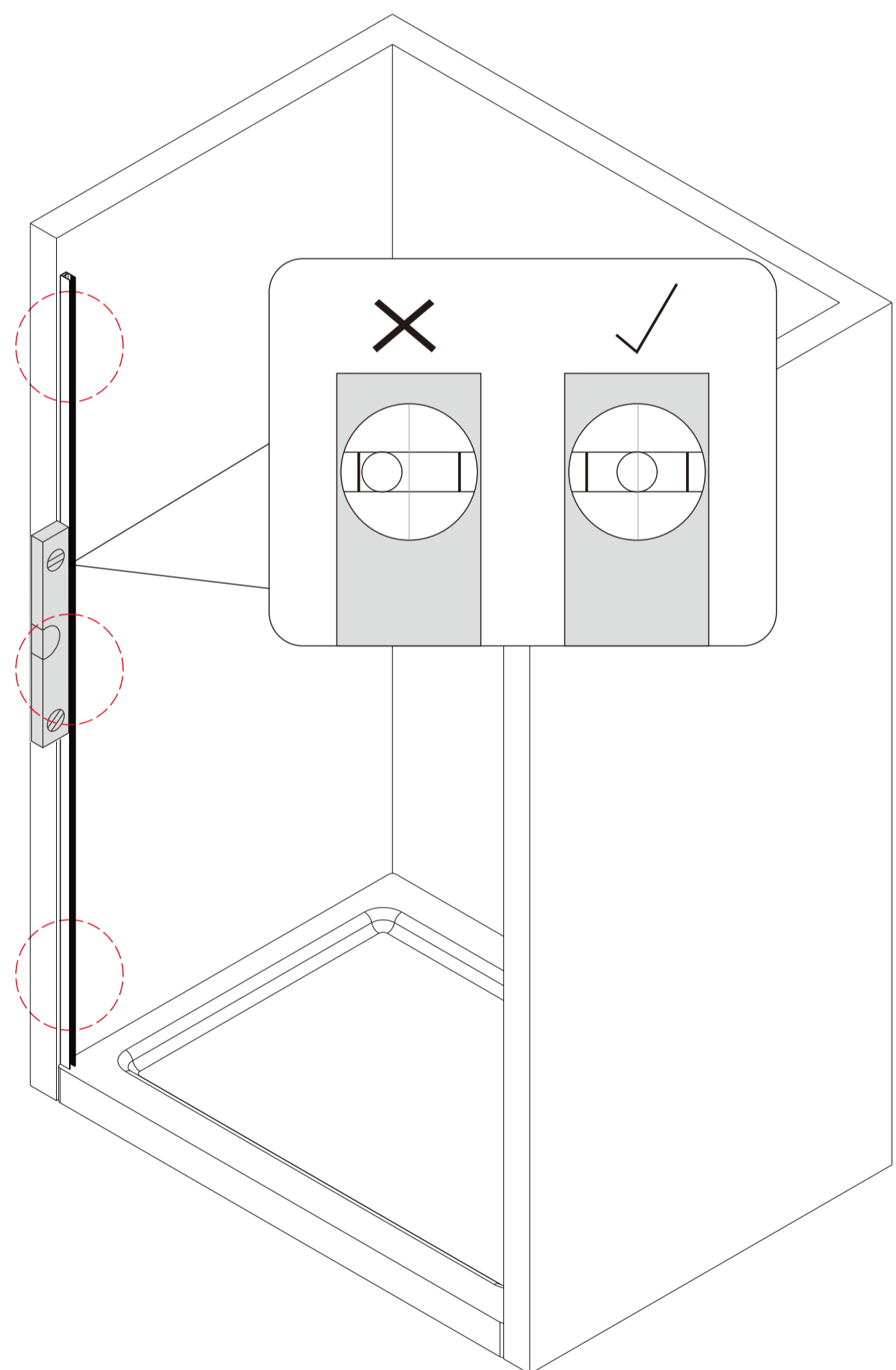
1 Determine your step in from the edge of tray and plumb your **Wall Jamb(L)**.

NOTE

1. Determine your starting point from the edge of tray (1/8" is recommended) and mark the position as Fig.a .
2. Plumb your **Wall Jamb(L)** on each side and then mark screw holes position as Fig.b .



Note: mark the outline of profile hole

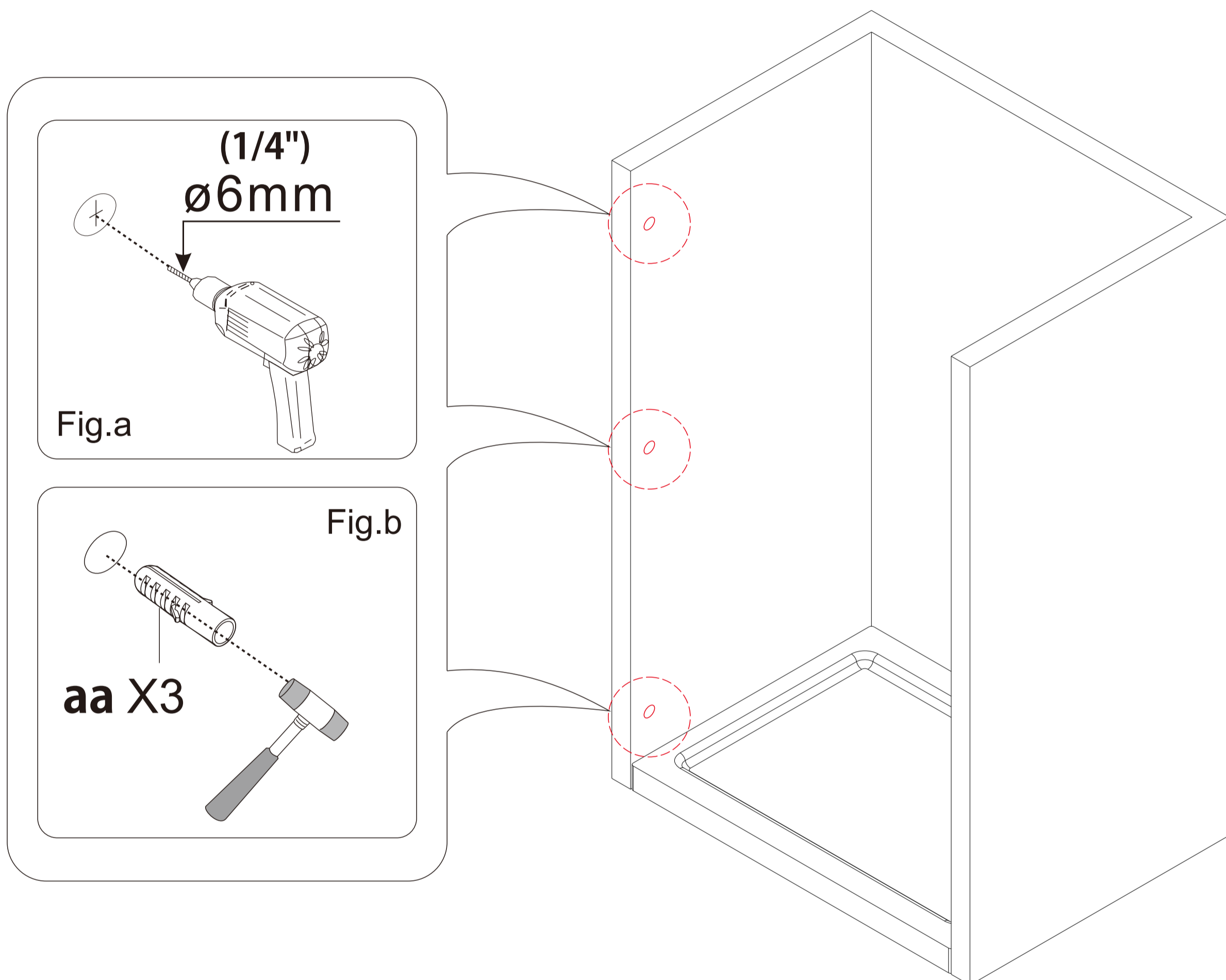


Note: The shower door can be installed left or right, according to the need to determine the installation direction.

2 Install **Wall Anchor(aa)**

NOTE

1. Drill holes with $\phi 6\text{mm}(1/4\text{'})$ drill bit as Fig.a .
2. Insert **Wall Anchors(aa)** as Fig.b .



NOTE

- If a Stud is present behind the wall:
drill $\phi 1/8\text{'}$ (3mm) pilot holes into the stud and use the ST4.0x30mm **Screws(bb)**
OR
- If NO Stud is present behind the wall:
drill $\phi 1/4\text{'}$ (6mm) holes and insert the **Wall Anchors(aa)** and use the ST4.0x30mm **Screws(bb)**.

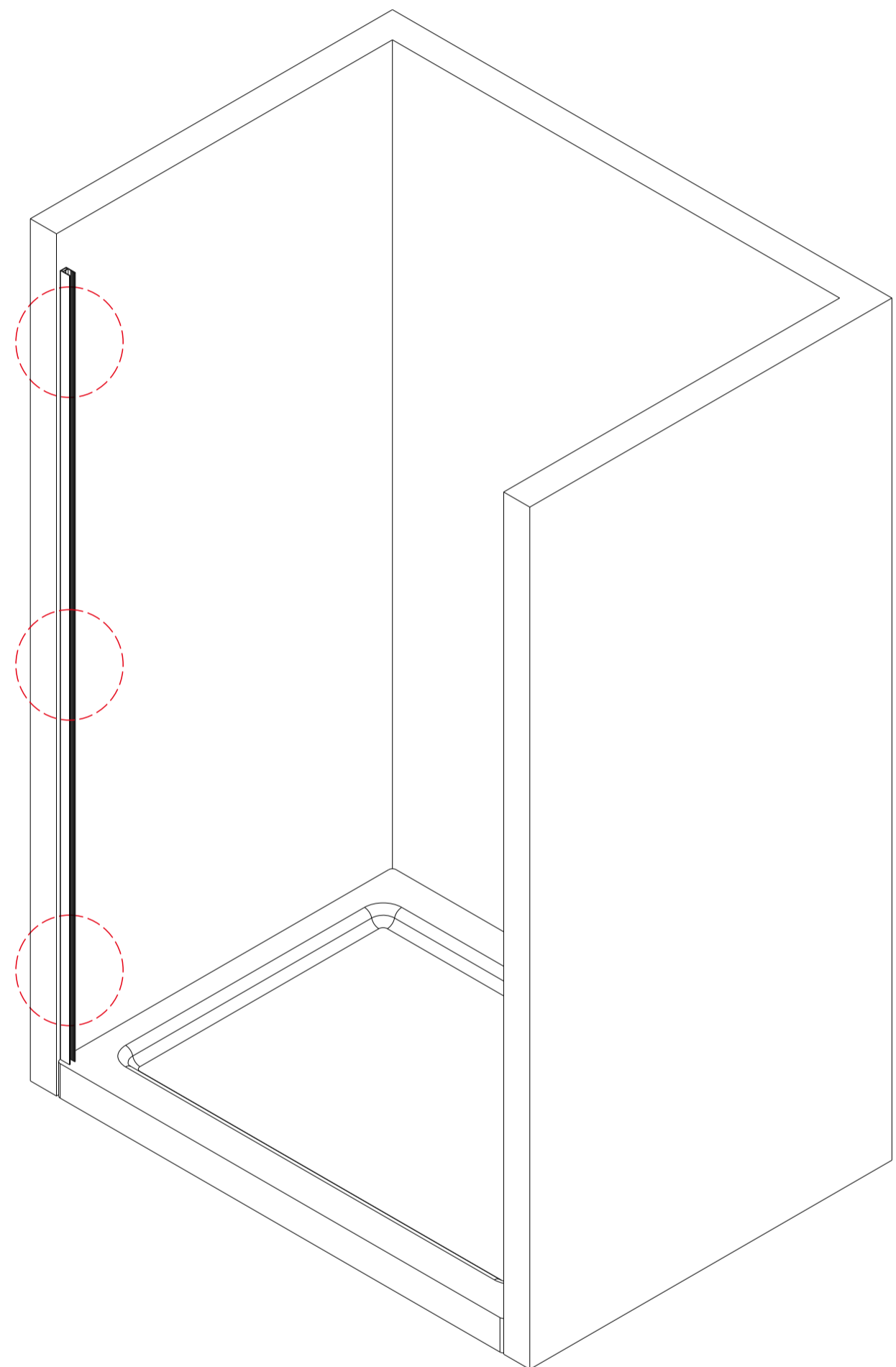
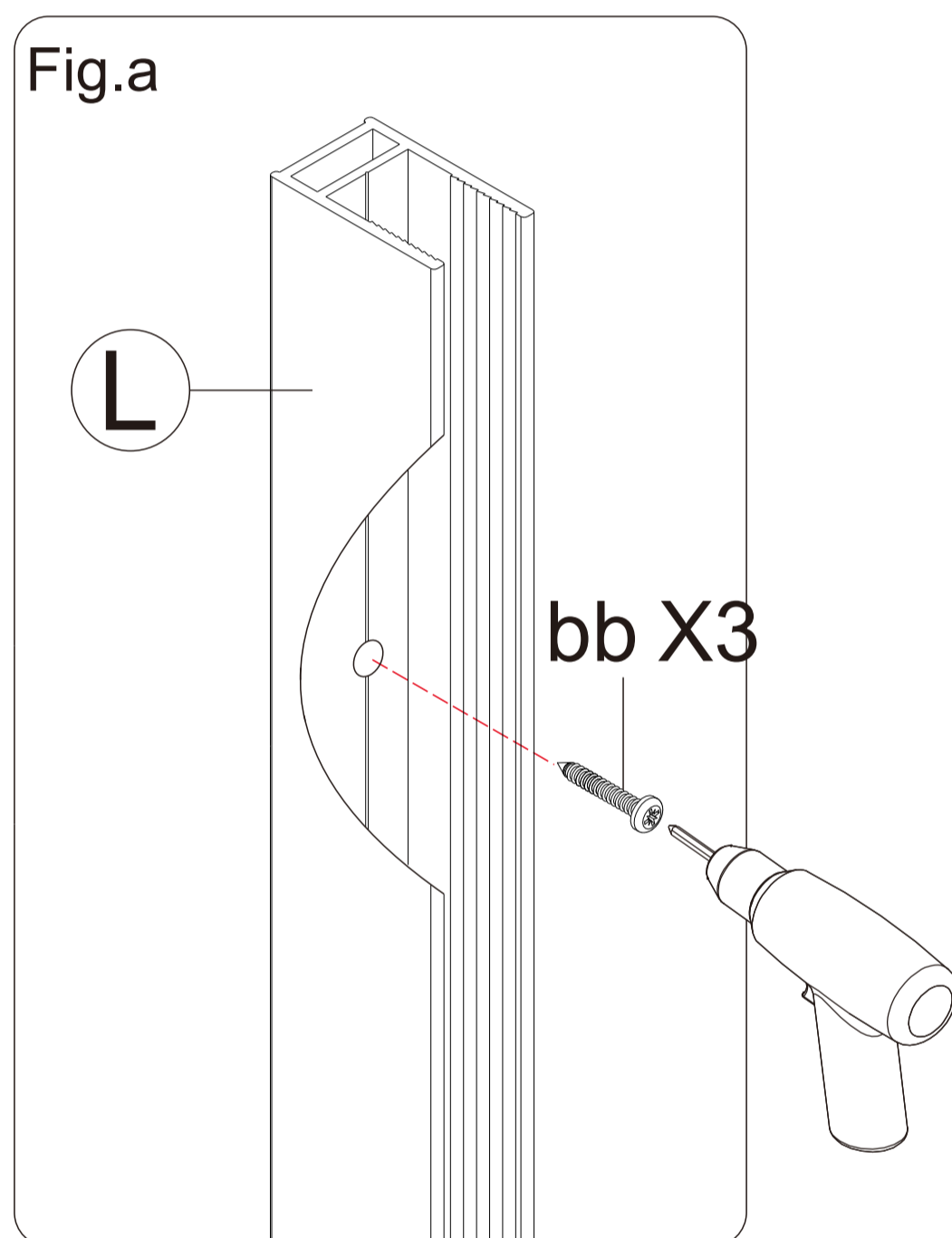


Note: The shower door can be installed left or right, according to the need to determine the installation direction.

3 Install Wall Jamb(L)

NOTE

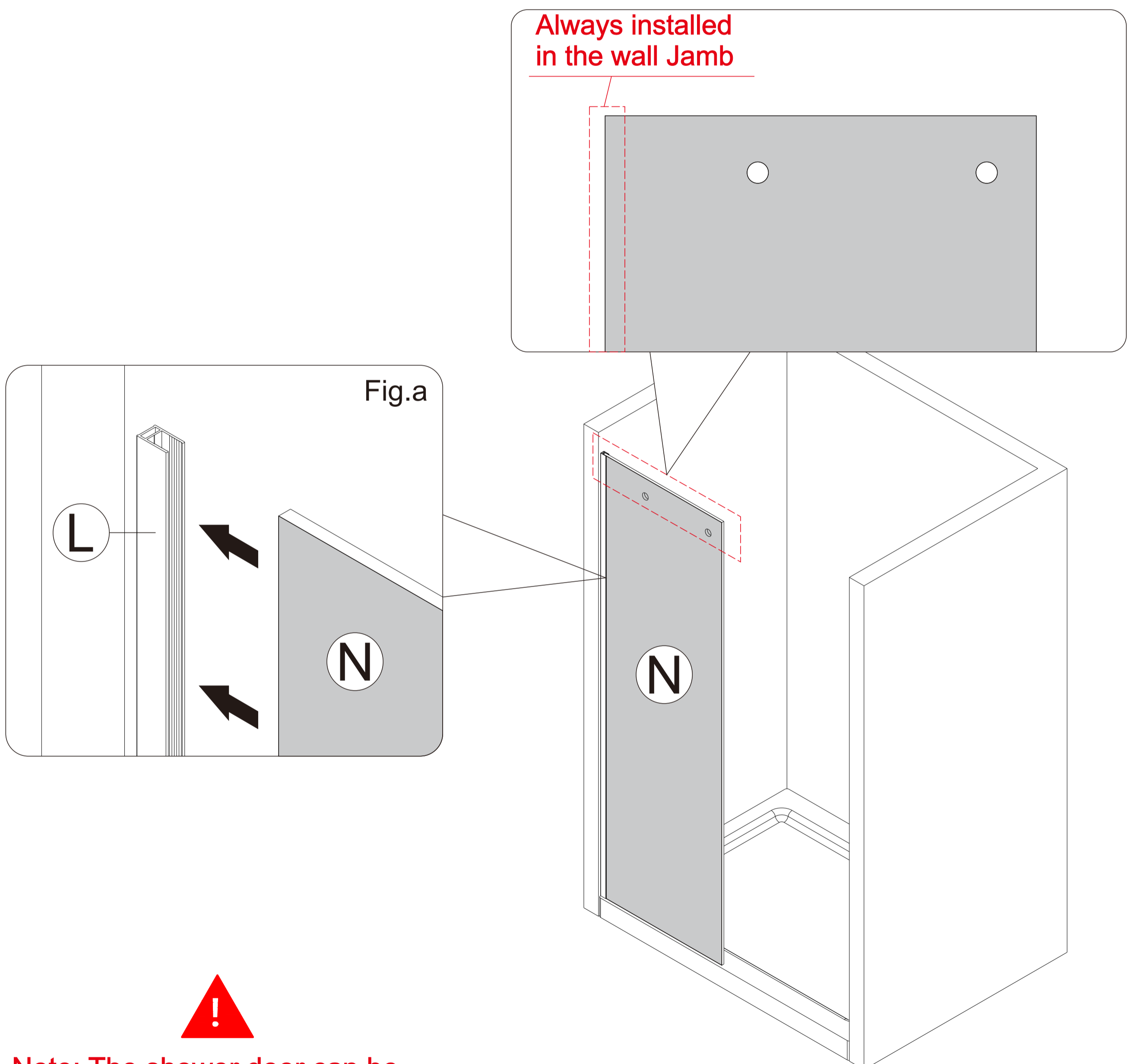
1. Fix Wall Jambs(L) with Screw(bb) as Fig.a .



Note: The shower door can be installed left or right, according to the need to determine the installation direction.

4 Install Stationary Glass (N)

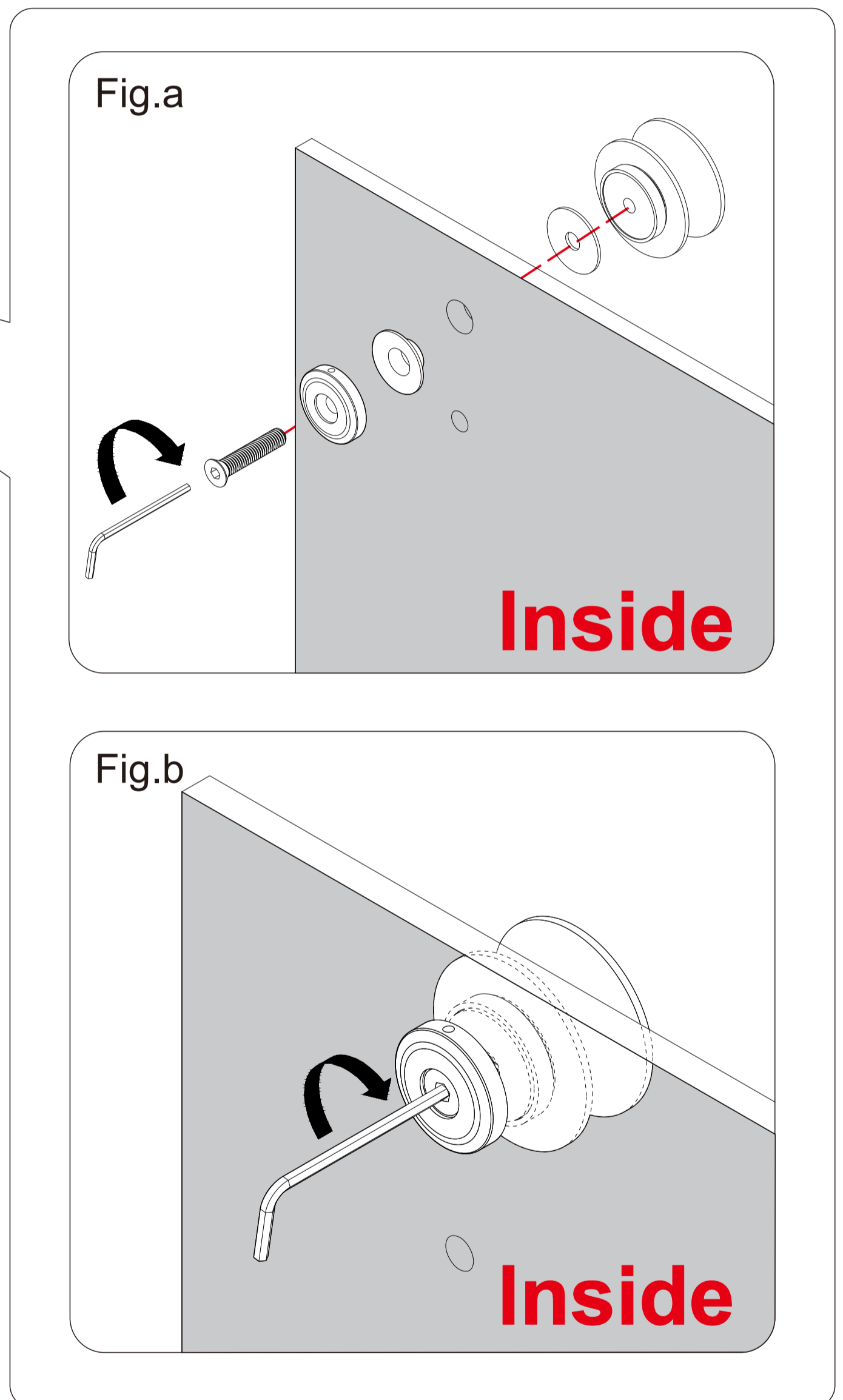
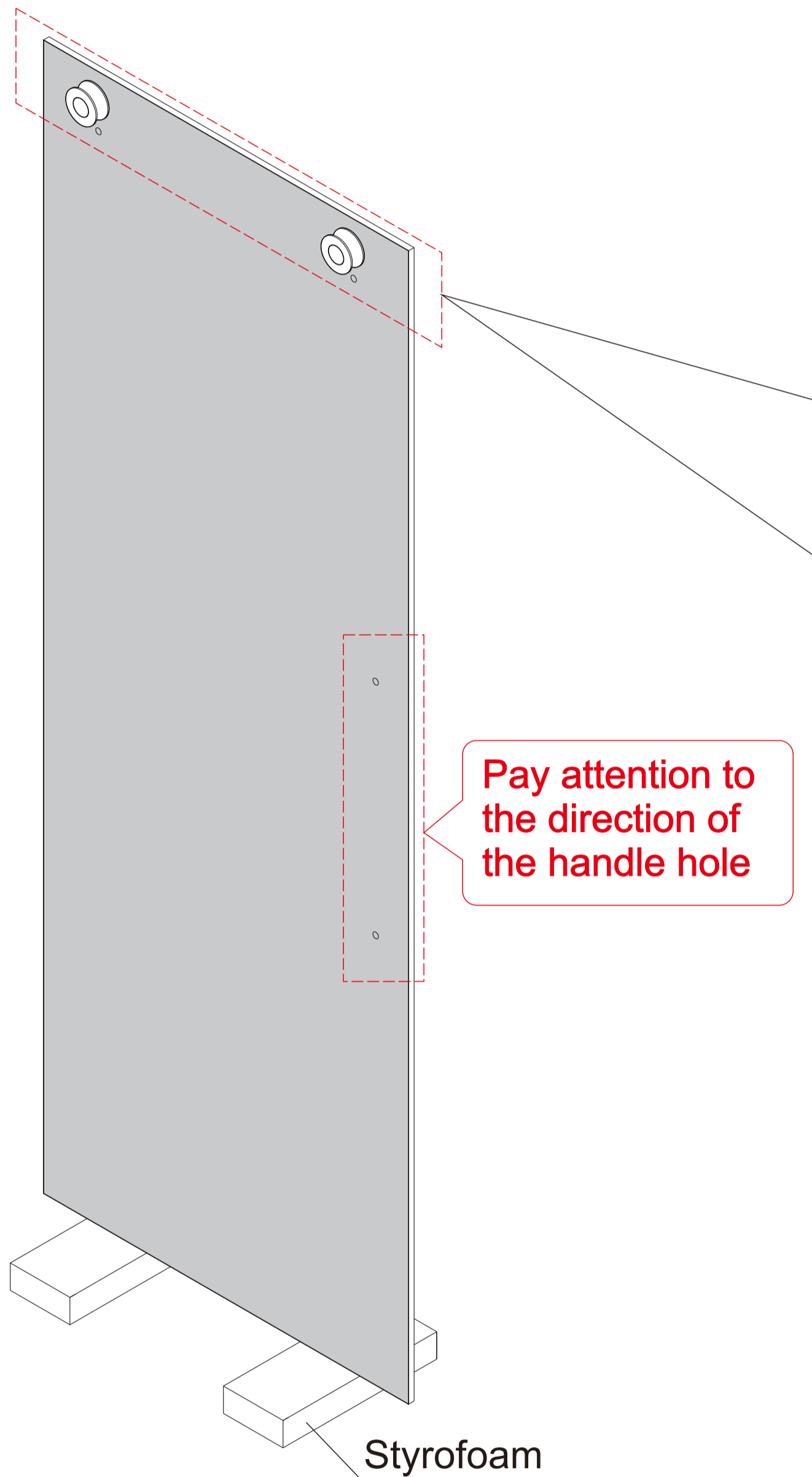
NOTE 1. Install the **Stationary Glass(N)** to the **Wall Jamb(L)** as Fig.a .



Note: The shower door can be installed left or right, according to the need to determine the installation direction.

5 Install Roller(G)

NOTE 1. Install the **Roller(G)** on the **Glass Door(D)** and faces outside as Fig.a and Fig.b .



Note: The shower door can be installed left or right, according to the need to determine the installation direction.

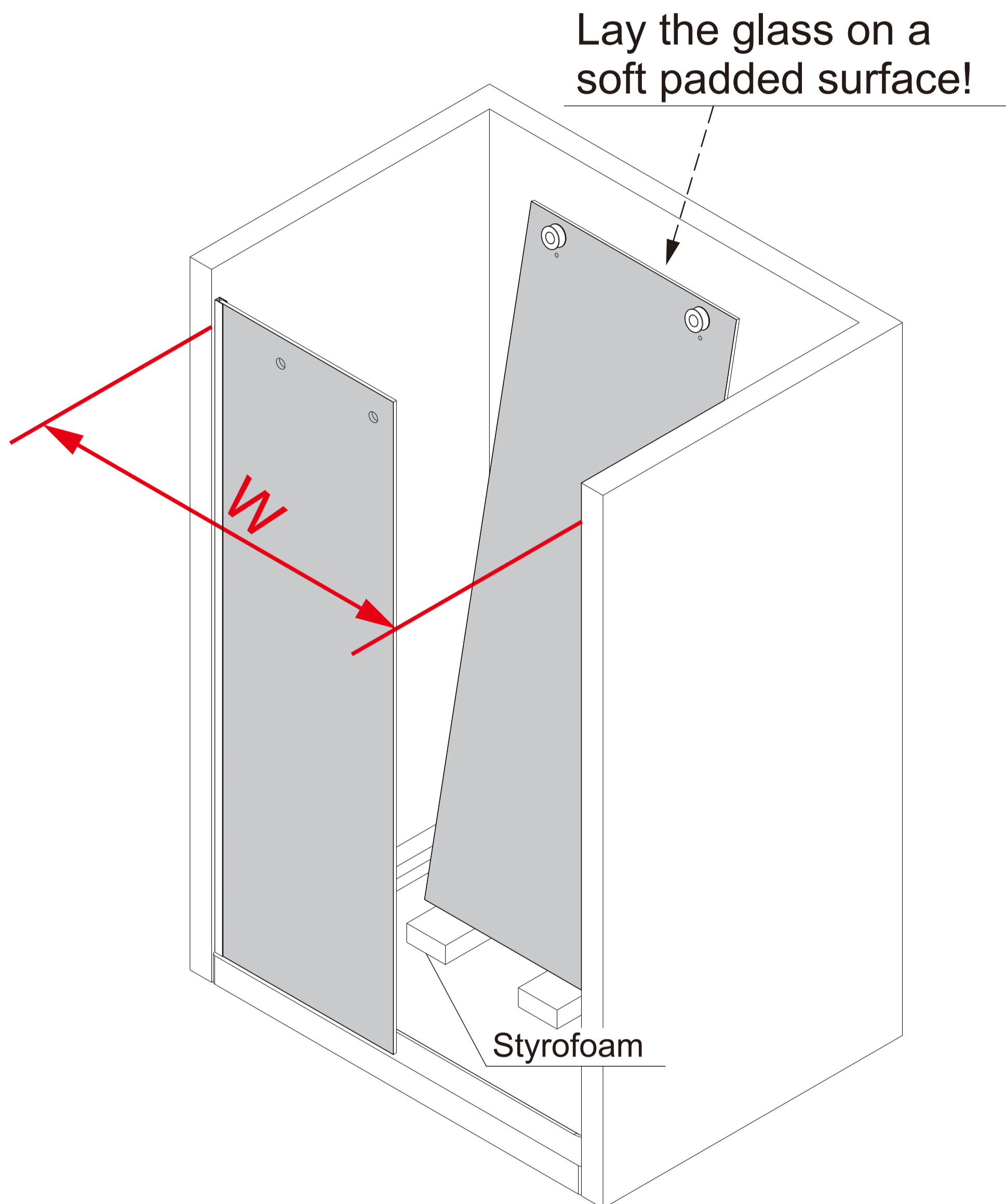


CAUTION: Do not put glass directly on the ground

6 Measure the finished opening width.

NOTE

1. Measure the width of the shower room (W)
2. The **Glass Door(D)** was placed into the model in advance to facilitate subsequent installation



Note: The shower door can be installed left or right, according to the need to determine the installation direction.

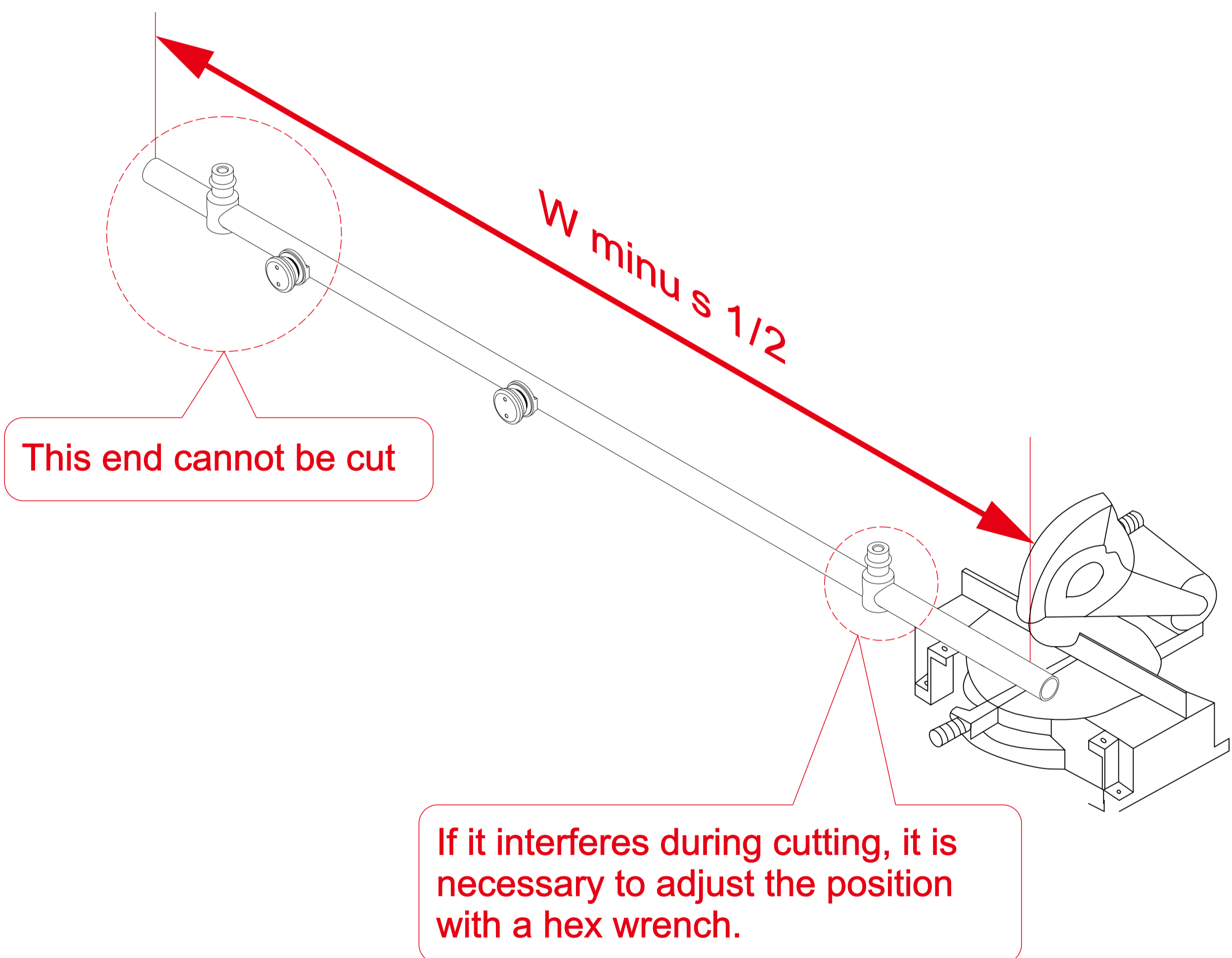


CAUTION: Do not put glass directly on the ground

7 Cut the **Upper Guide Rail (I)** to fit your finished opening using either a miter saw or a hacksaw

NOTE

1. The length of the **Upper Guide Rail (I)** = W minus $1/2"$ use the corner grinder to cut off the excess part, be careful not to cut to the Door Stoppers

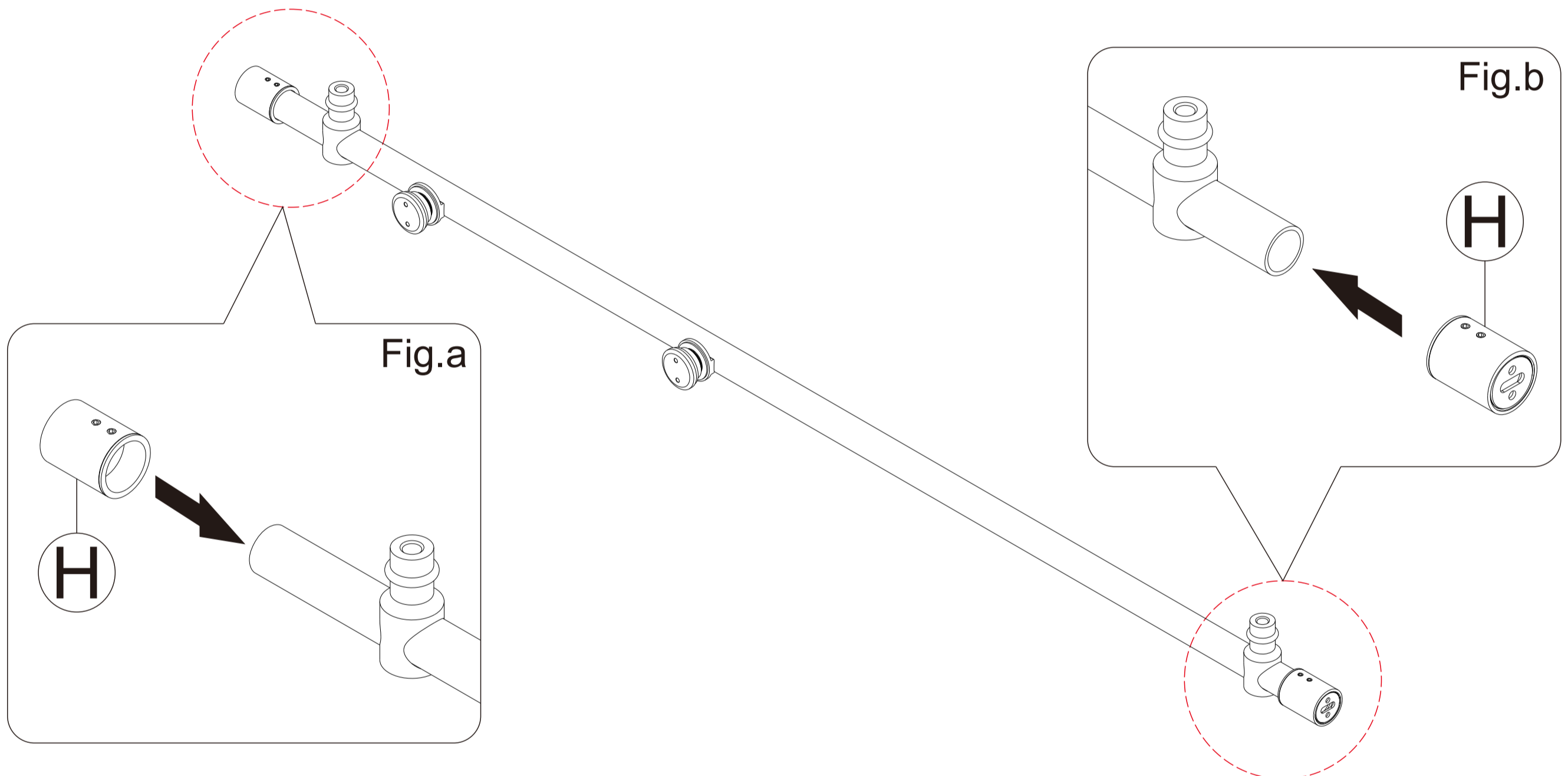


8

Install the **Guide Rail Brackets(H)**

NOTE

1. Install the **Guide Rail Brackets(H)** on the **Upper Guide Rail(I)** as Fig.a and Fig.b .

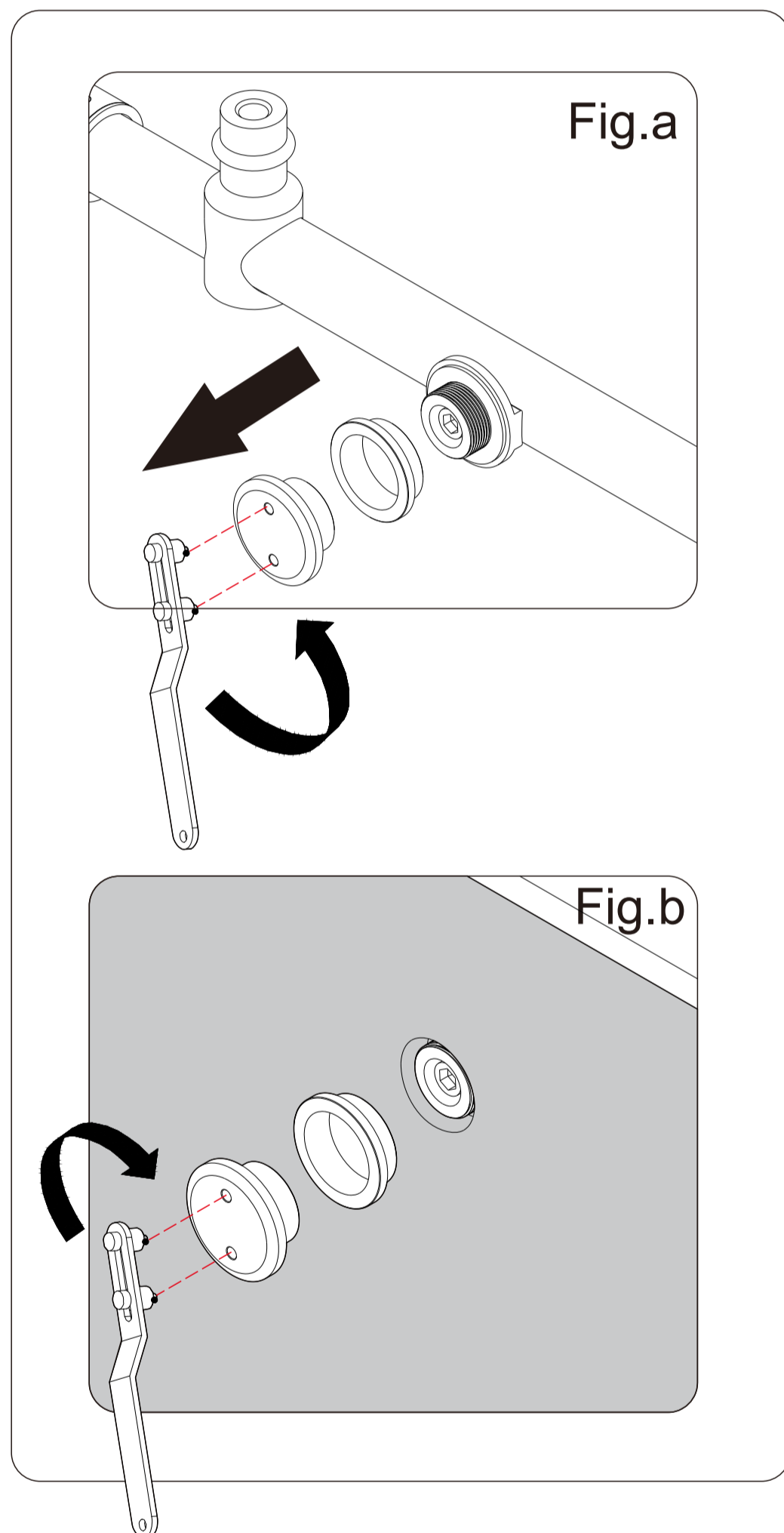


Note: The shower door can be installed left or right, according to the need to determine the installation direction.

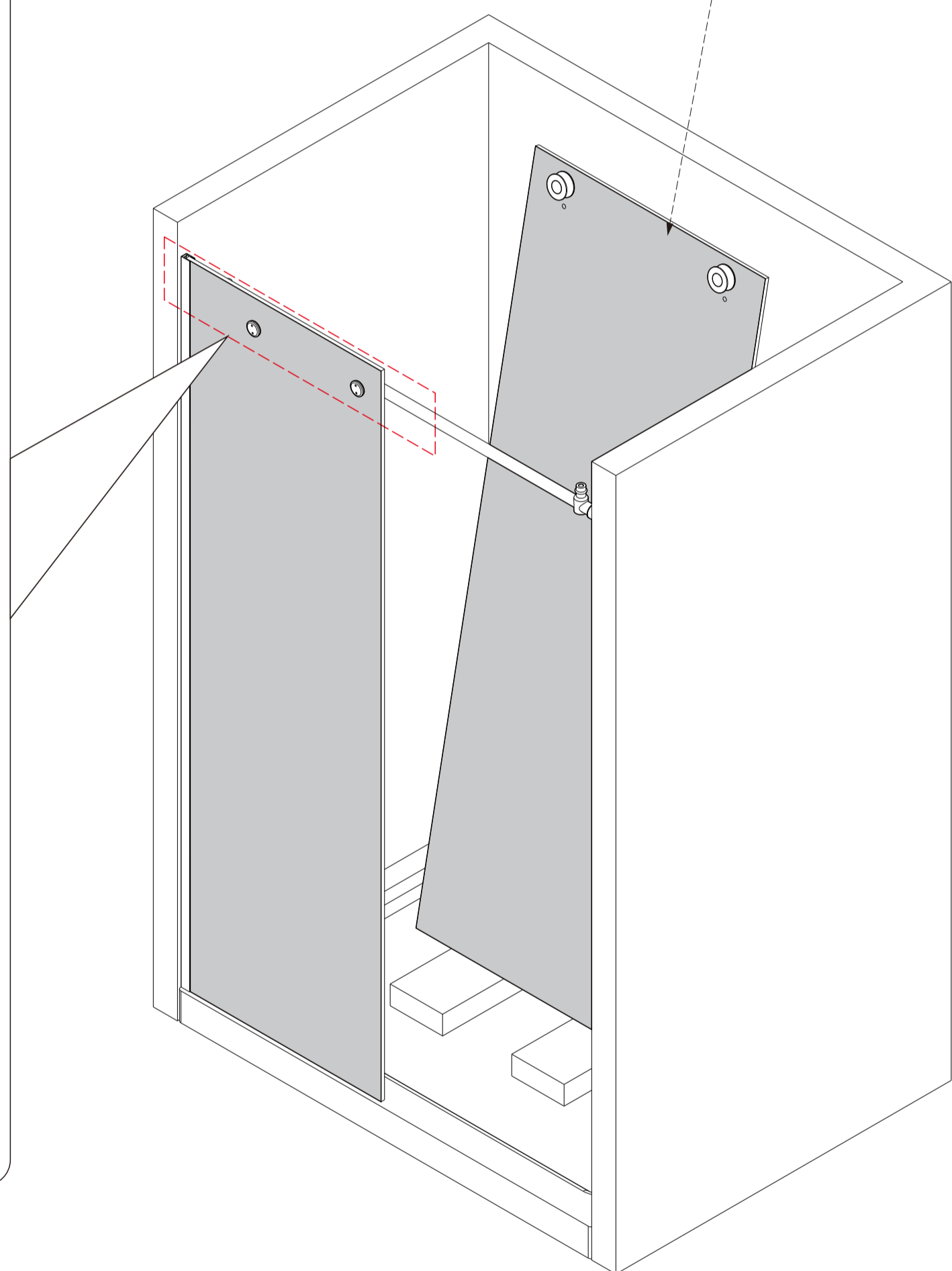
9 Install the Upper Guide Rail(I)

NOTE

1. Take out the **Glass Brackets(J)** with a special wrench, and install the **Glass Brackets(J)** on the **Stationary Glass(N)**, thereby fixing the **Upper Guide Rail(I)** as Fig.a and Fig.b .
2. Note: Make sure there is an installation gasket.



Lay the glass on a soft padded surface!



Note: The shower door can be installed left or right, according to the need to determine the installation direction.

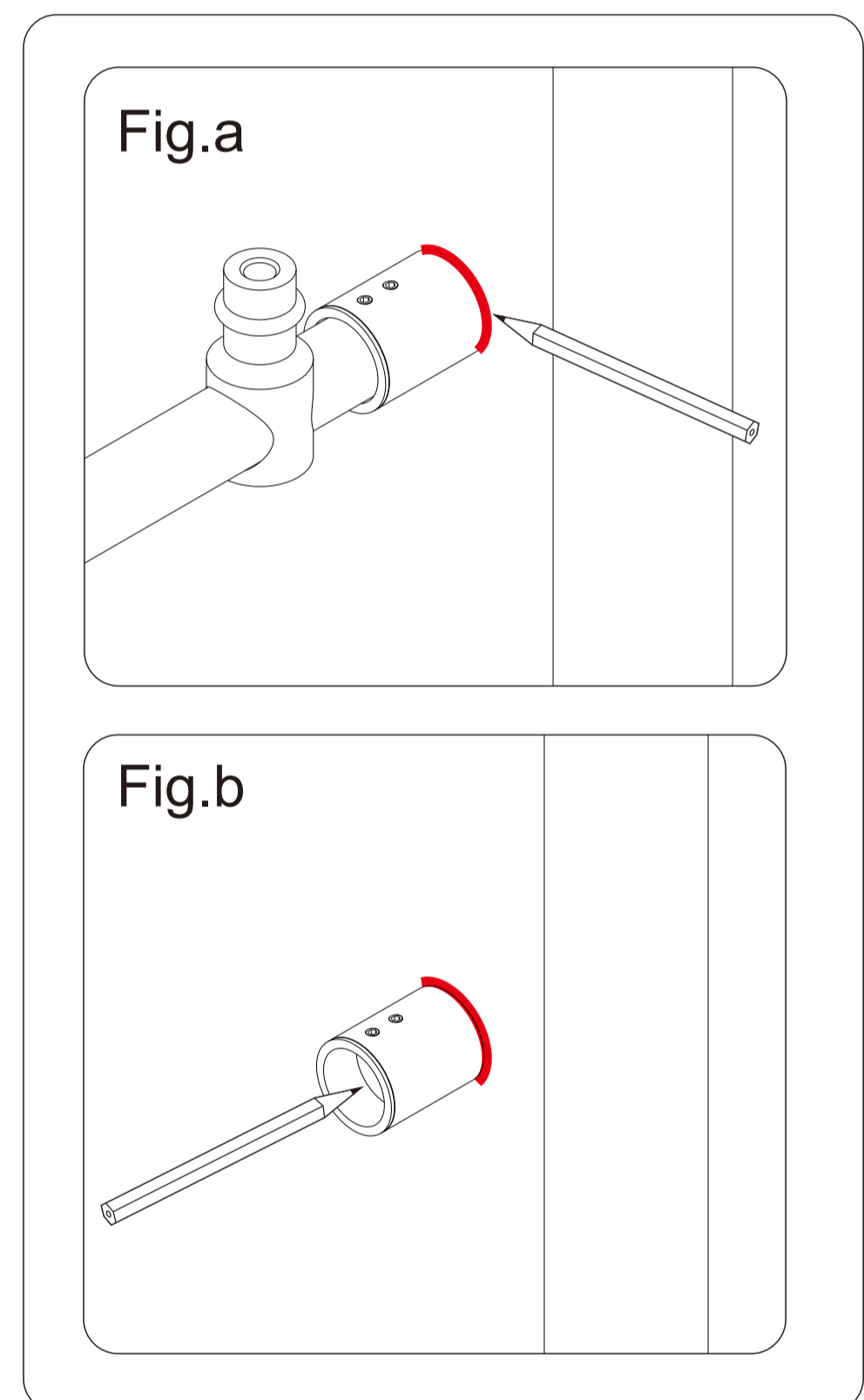
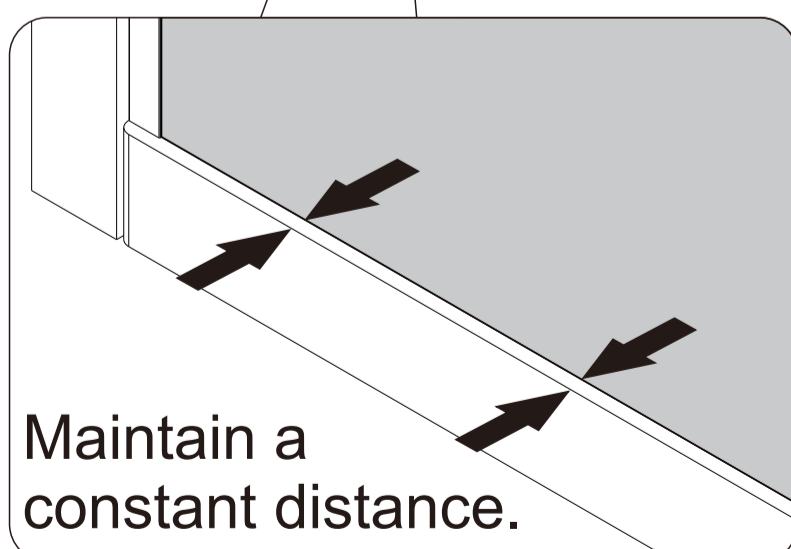
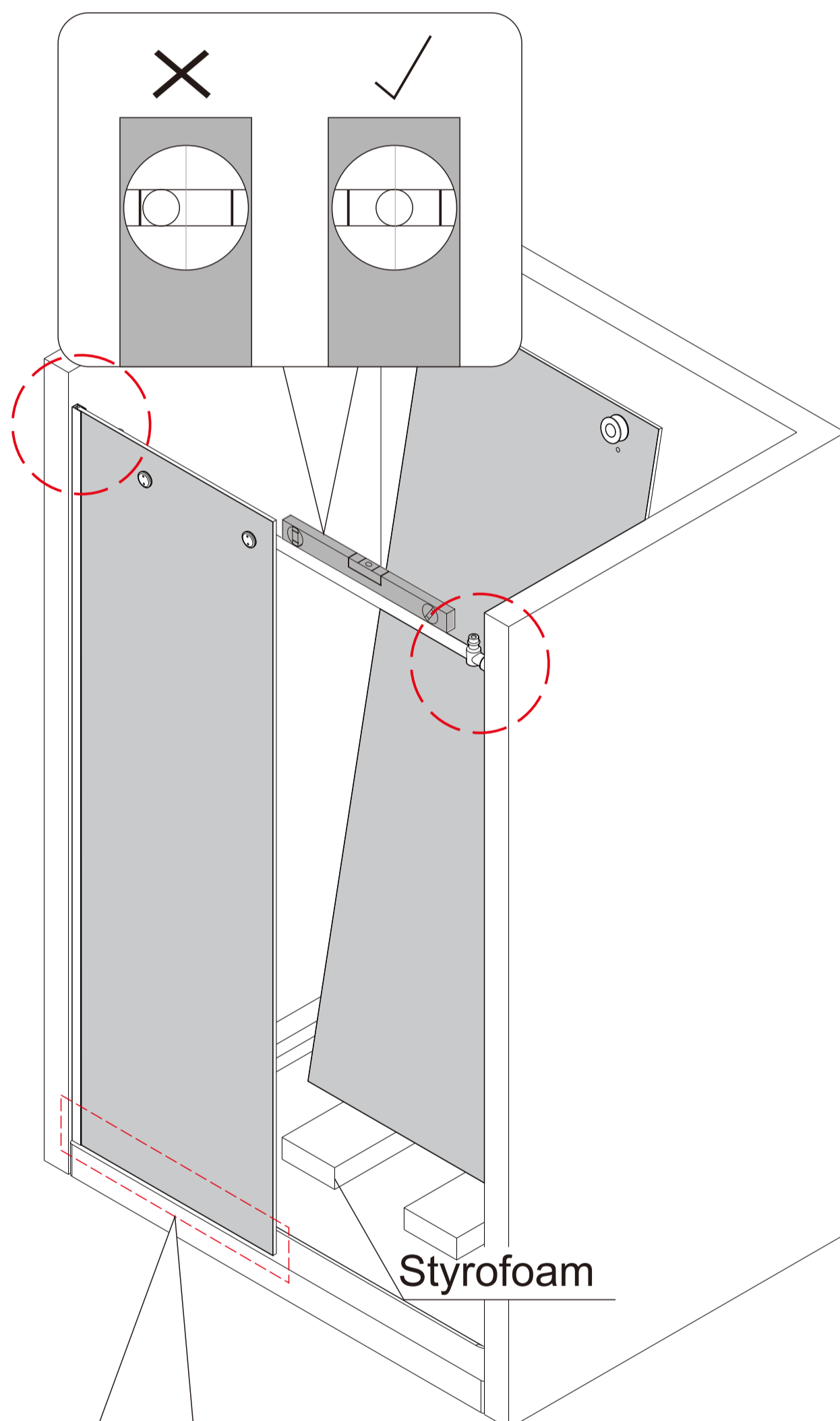


CAUTION: Do not put glass directly on the ground

10 Mark the location of the **Guide Rail Brackets(H)**

NOTE

1. Make sure that the **Upper Guide Rail(I)** is parallel and mark the position of the **Guide Rail Brackets(H)** with a pencil as Fig.a.
2. Remove the **Upper Guide Rail(I)**, place the **Guide Rail Brackets(H)** in the marked position, and mark the hole of the **Guide Rail Brackets(H)** as Fig.b.



CAUTION: Do not put glass directly on the ground

11 Borehole

NOTE

1. Drill holes with $\Phi 6\text{mm}$ (1/4") drill bit as Fig.a .
2. Insert in **Wall Anchors(aa)** as Fig.b .

Lay the glass on a soft padded surface!

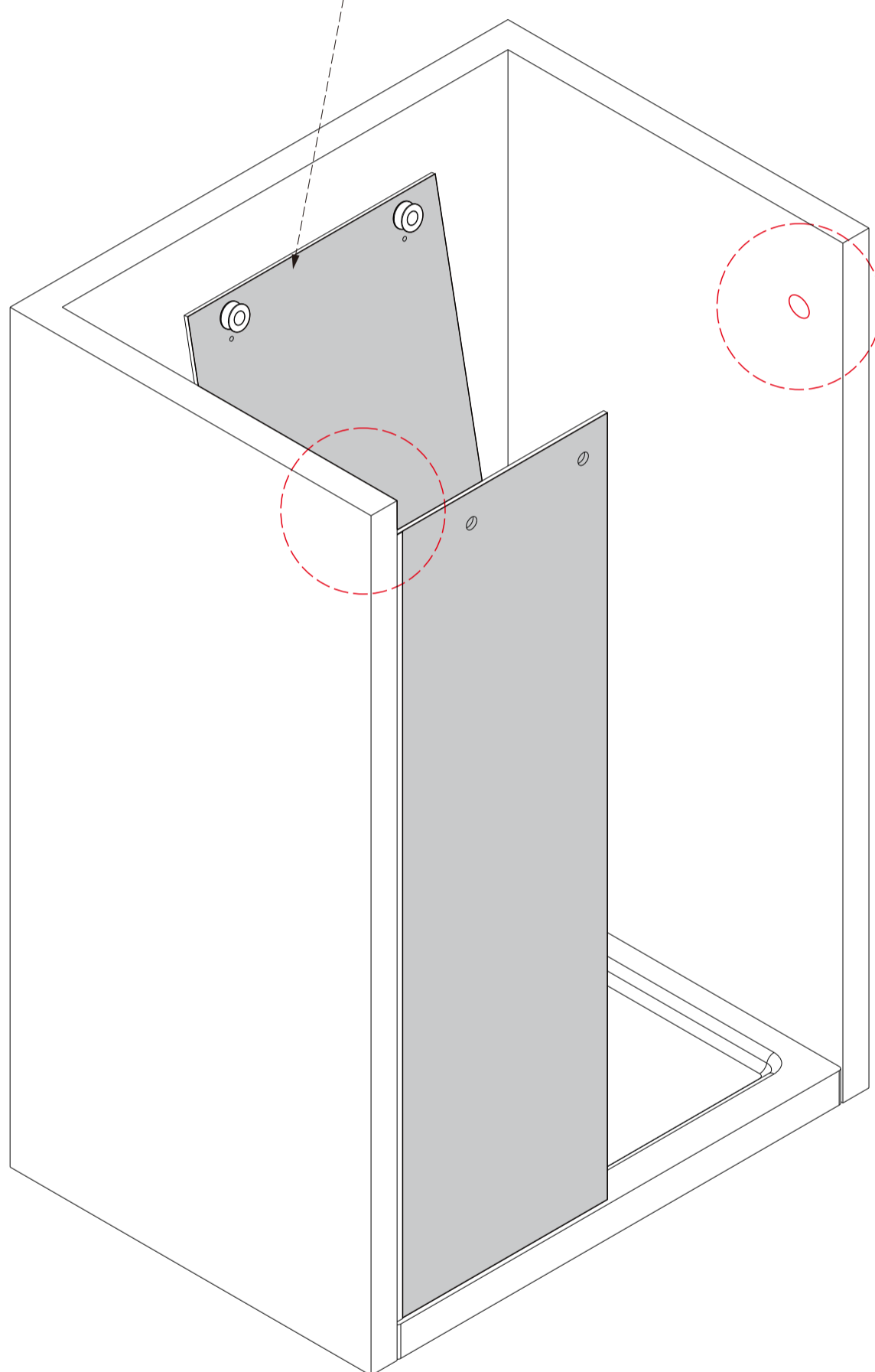


Fig.a (1/4")
 $\Phi 6\text{mm}$

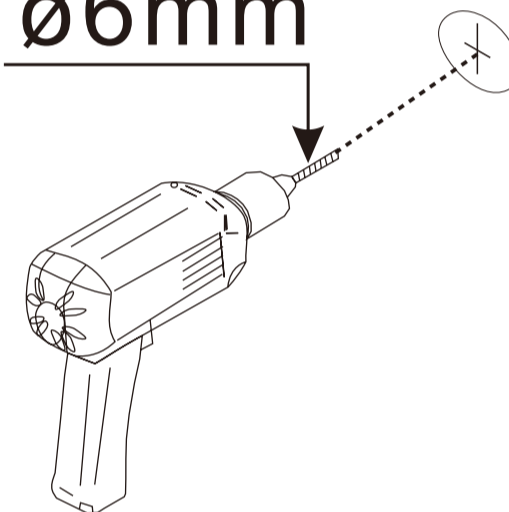
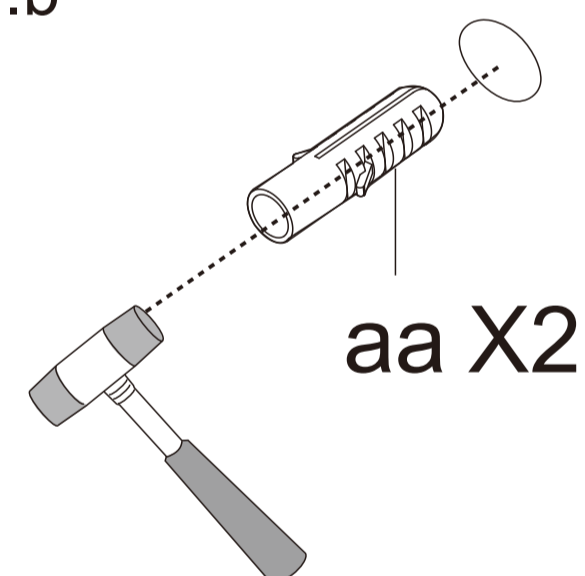


Fig.b



Note: The shower door can be installed left or right, according to the need to determine the installation direction.

NOTE

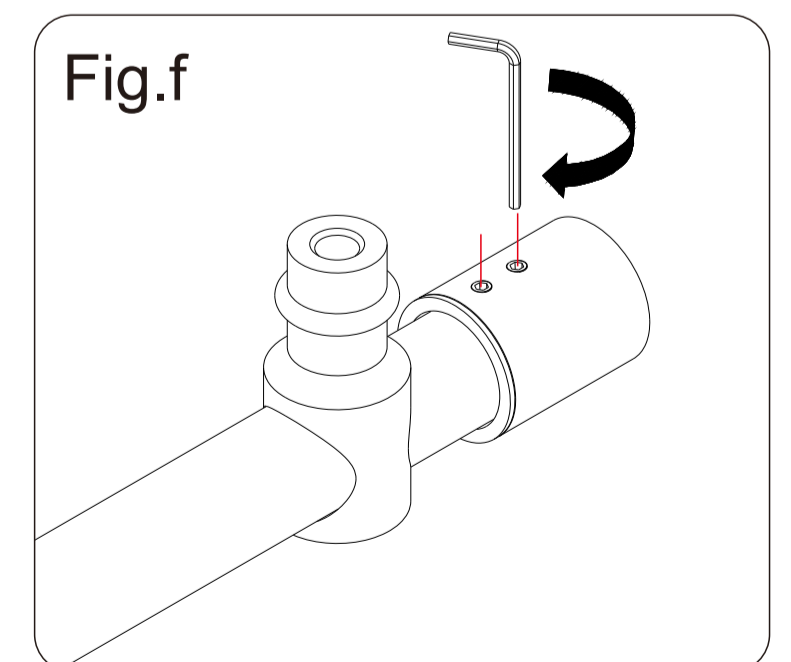
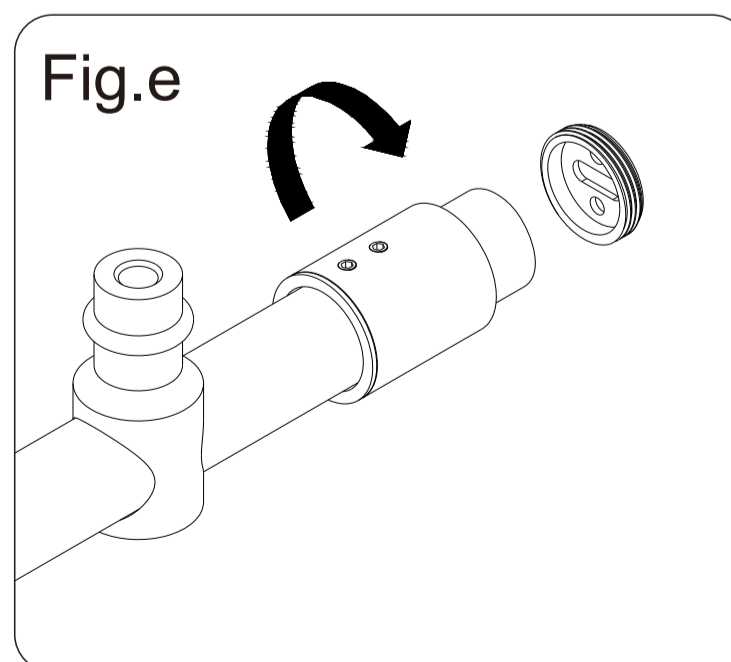
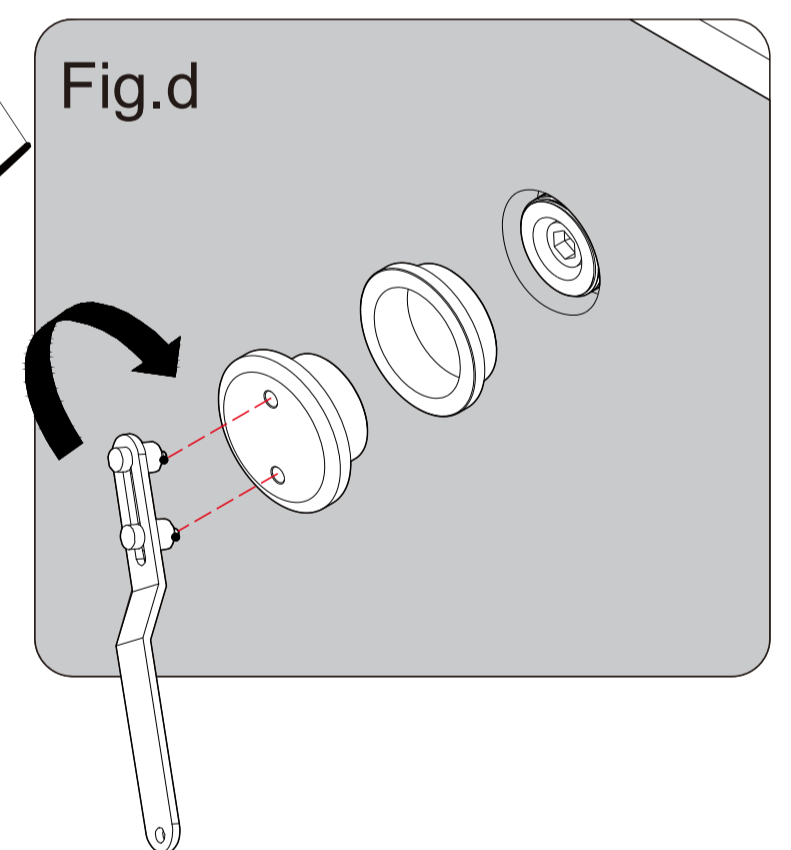
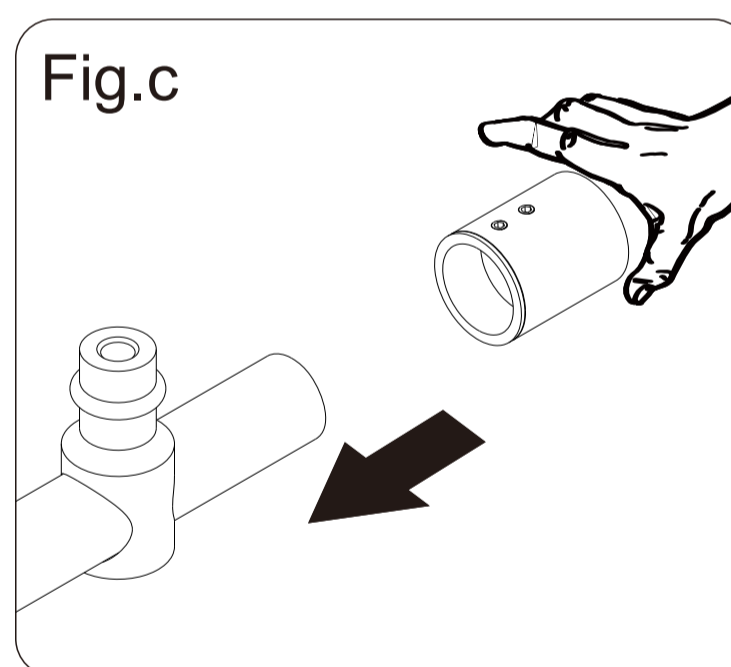
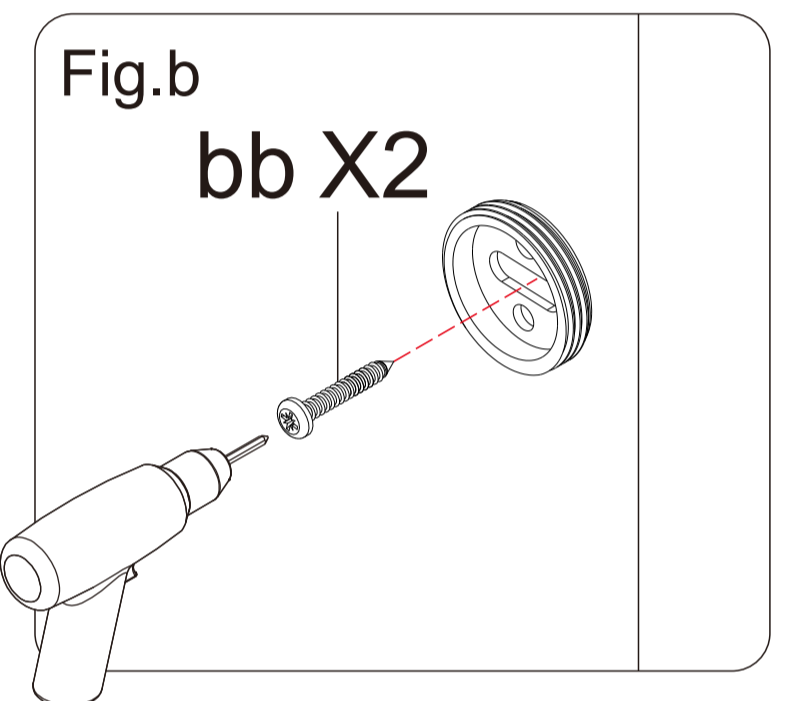
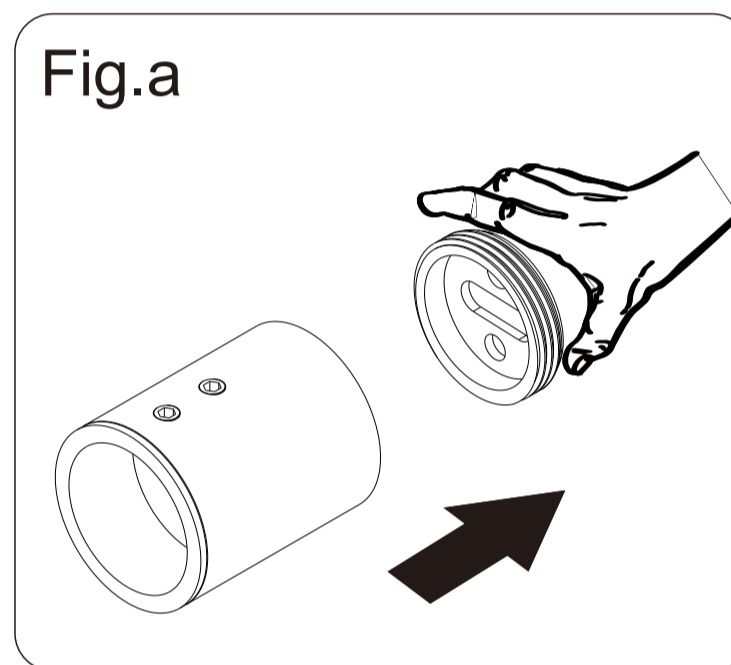
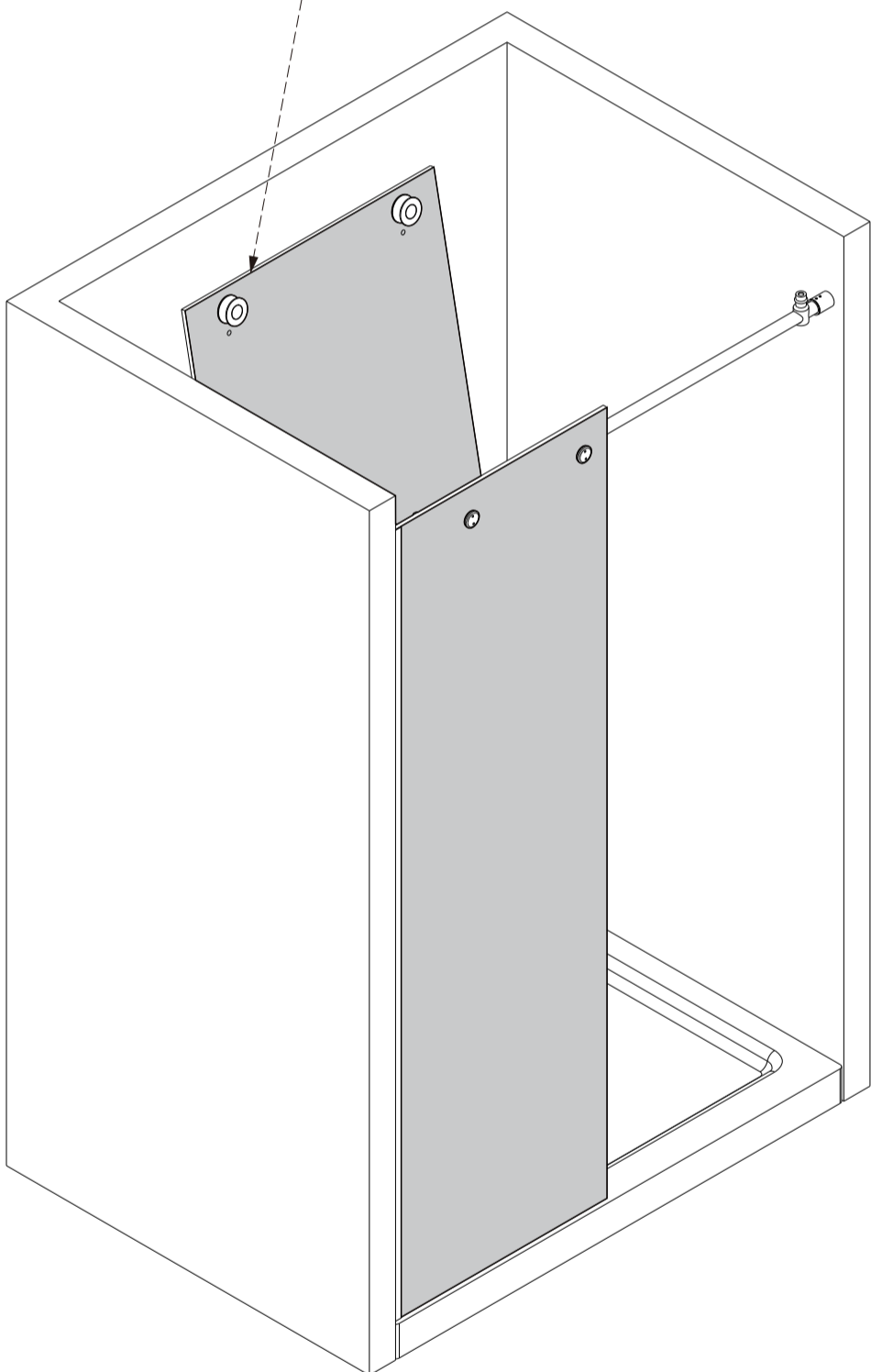
- If a Stud is present behind the wall: drill $\Phi 1/8"$ (3mm) pilot holes into the stud and use the ST4.0x30mm **Screws(bb)**
OR
- If NO Stud is present behind the wall: drill $\Phi 1/4"$ (6mm) holes and insert the **Wall Anchors(aa)** and use the ST4.0x30mm **Screws(bb)**.

12 Install the **Upper Guide Rail(I)**

NOTE

1. Take out the **Guide Rail Brackets(H)** bottom cap as Fig.a .
2. Secure the bottom cap with **Screws(bb)** as Fig.b .
3. Attach the **Guide Rail Brackets(H)** to the **Upper Guide Rail(I)** as Fig.c .
4. Secure the **Upper Guide Rail(I)** to the **Stationary Glass(N)** with the **Glass Brackets(J)** as Fig.d .
5. Push the **Guide Rail Brackets(H)** onto the bottom cap as Fig.e .
6. Secure the **Guide Rail Brackets(H)** with a hex wrench as Fig.f .

Lay the glass on a soft padded surface!

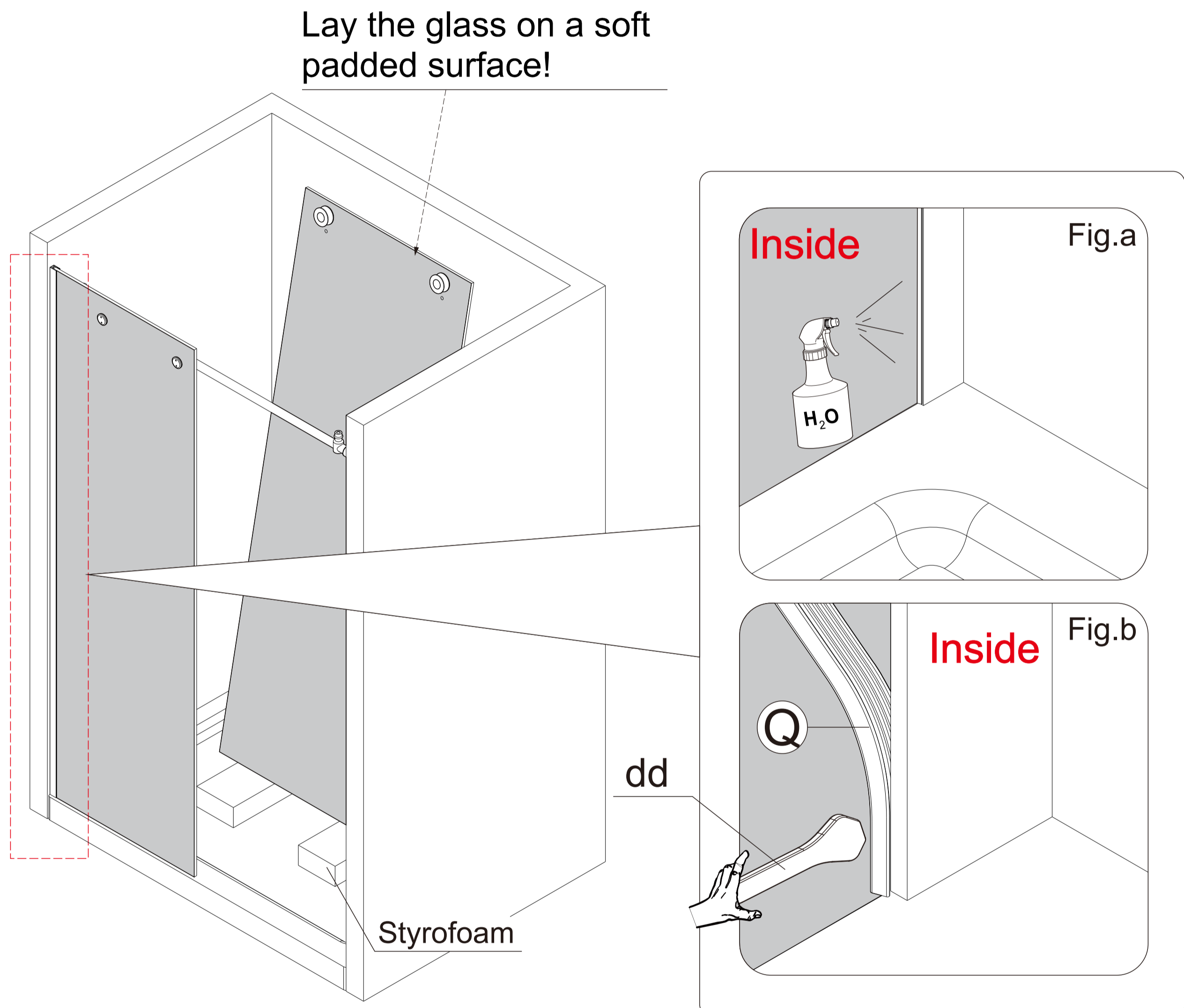


CAUTION: Do not put glass directly on the ground

11 Insert **Wedge Seal(Q)**

NOTE

1. Spray water on the **Stationary Glass(N)** and the slot of **Wall Jamb(L)** as Fig.a.
2. Insert in the **Wedge Seal(Q)** Using the given Wedge seal install tool to press the **Wedge seal(Q)** and Fit it place as Fig.b.



Note: The shower door can be installed left or right, according to the need to determine the installation direction.



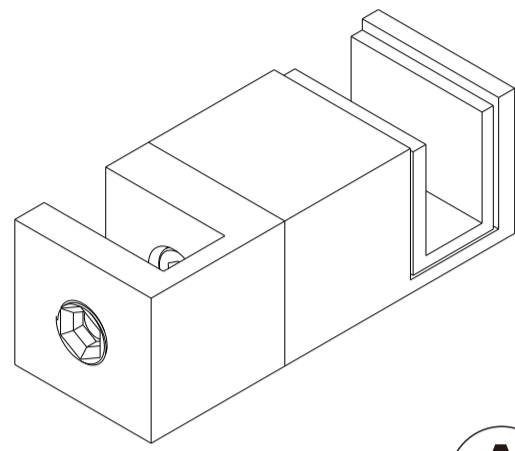
CAUTION: Do not put glass directly on the ground

12 Tips & Tricks

NOTE

Adjust the direction of the **Guide Block(A)** according to the installation direction of the shower room as Fig.a-f

Fig.a



Left

A

Fig.d

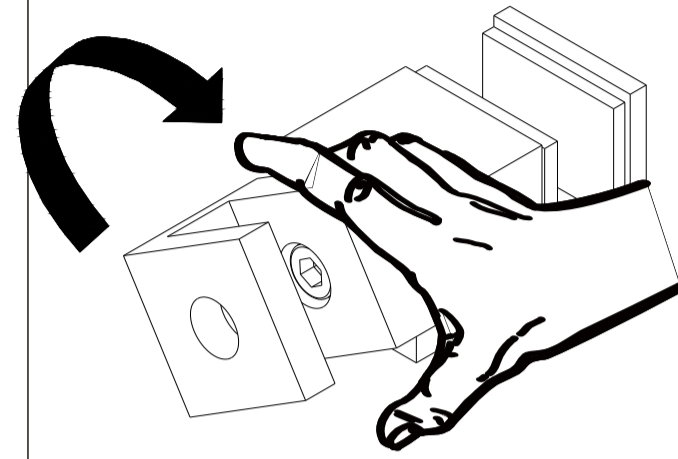


Fig.b

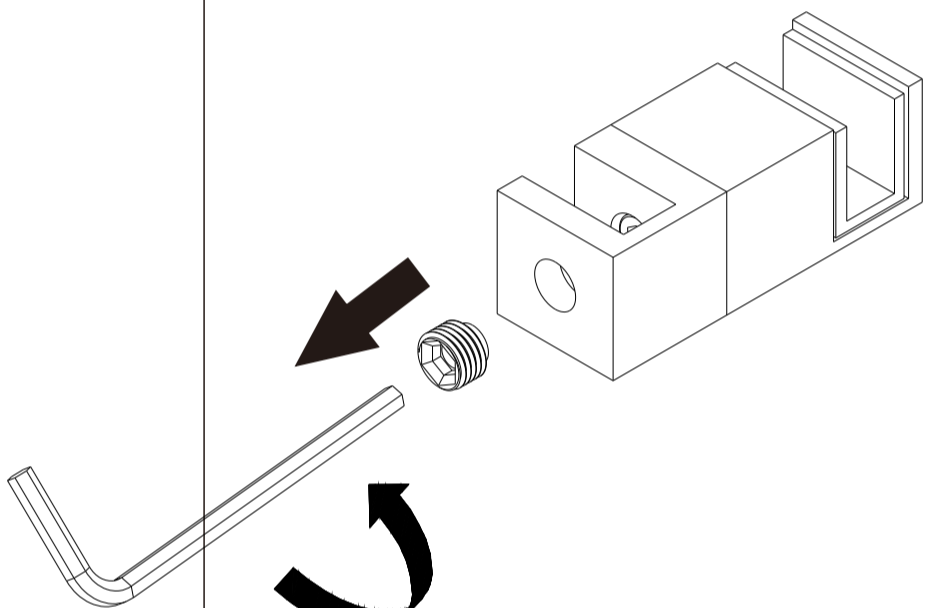


Fig.e

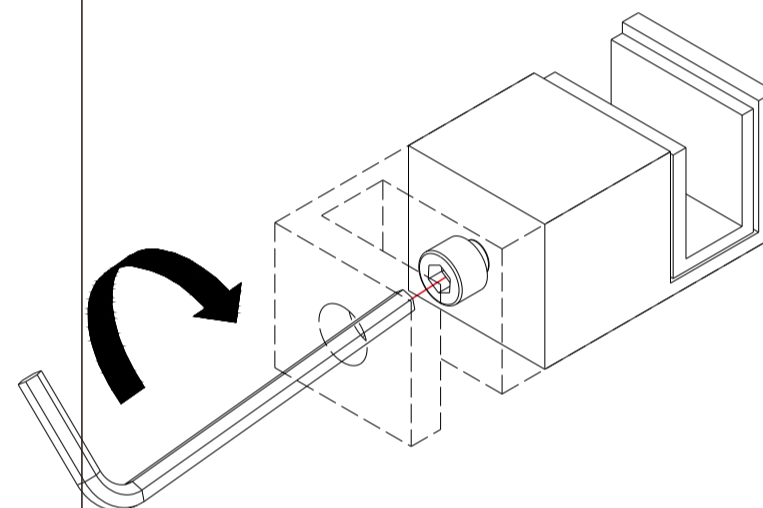


Fig.c

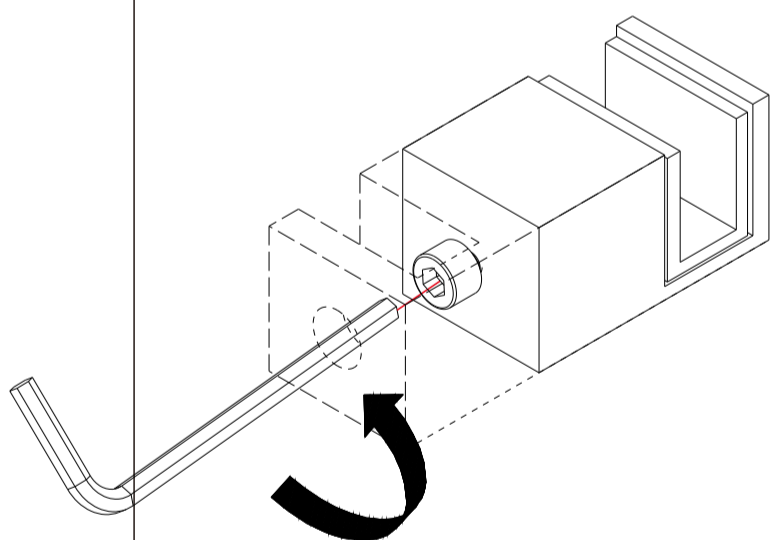


Fig.f

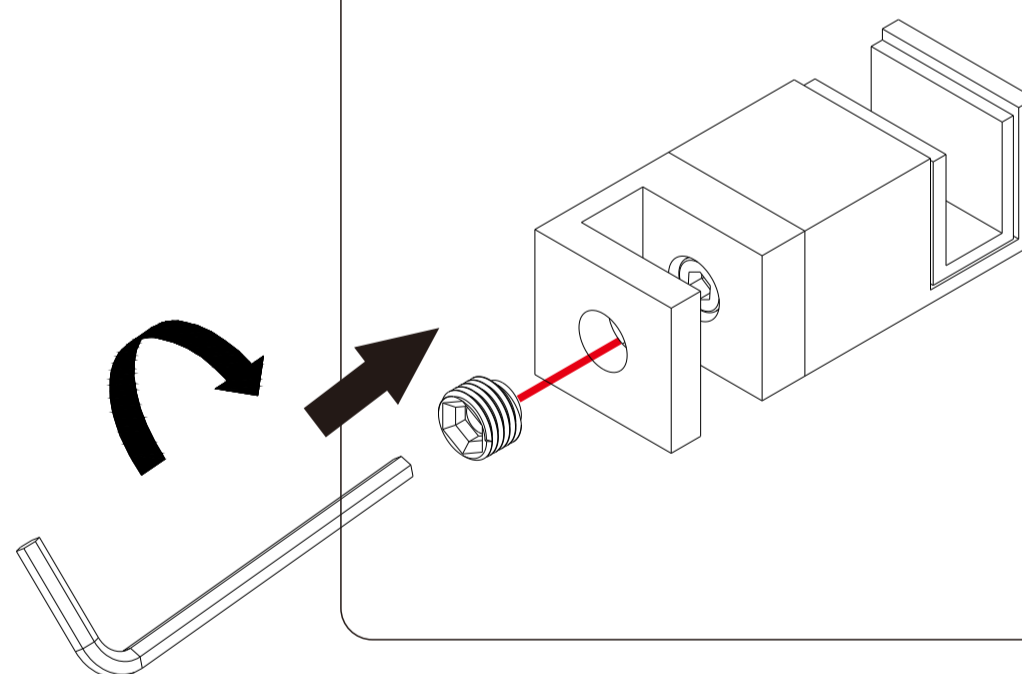
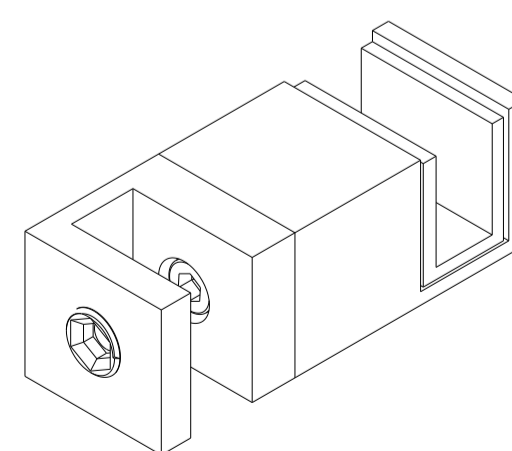


Fig.g



Right

A

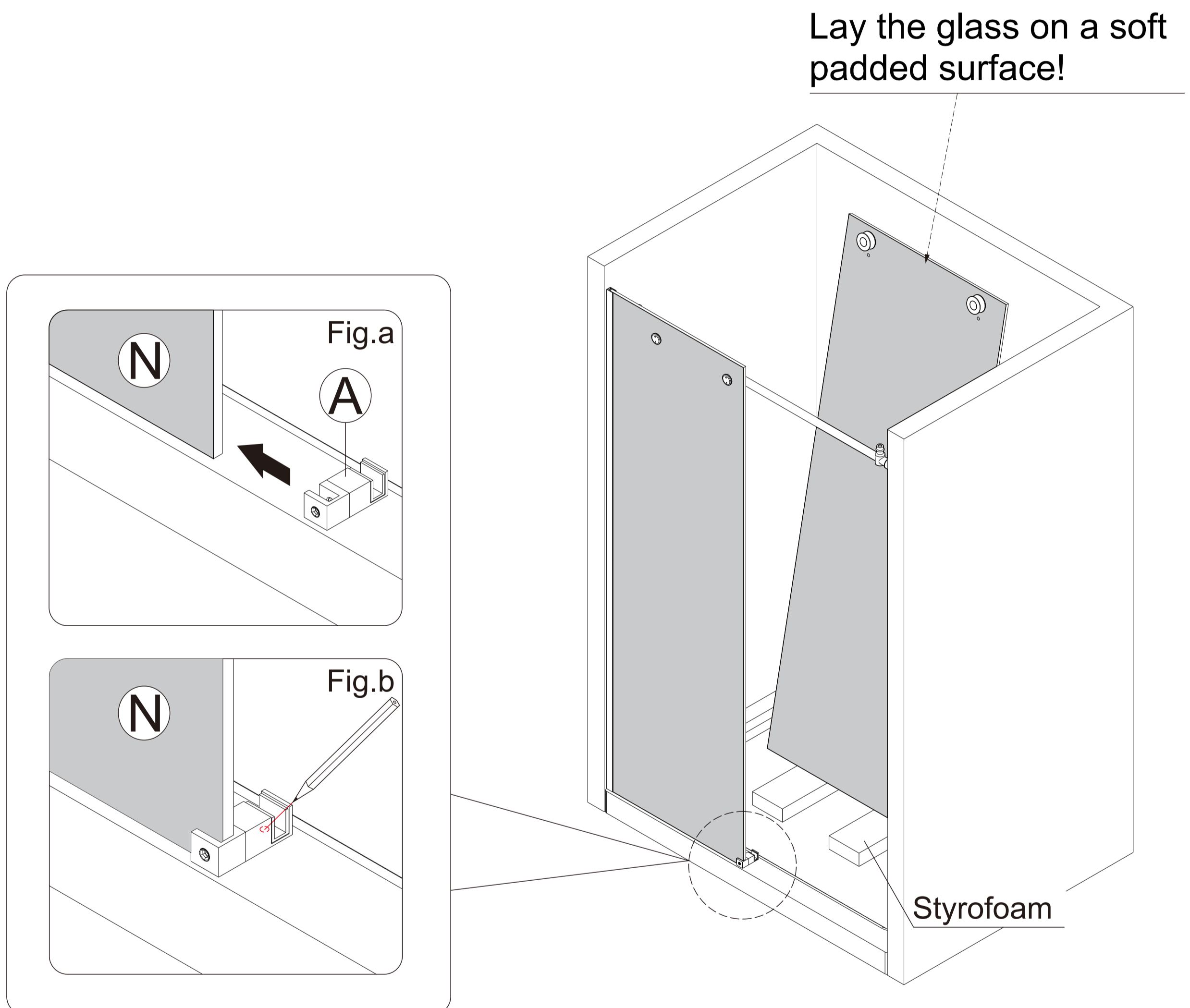


Note: The shower door can be installed left or right, according to the need to determine the installation direction.

13 Mark the holes in the **Guide Block(A)**

NOTE

1. Install the **Guide Block(A)** on the **Stationary glass(N)** as Fig.a .
2. Mark the holes in the **Guide Block(A)** with a pencil as Fig.b .

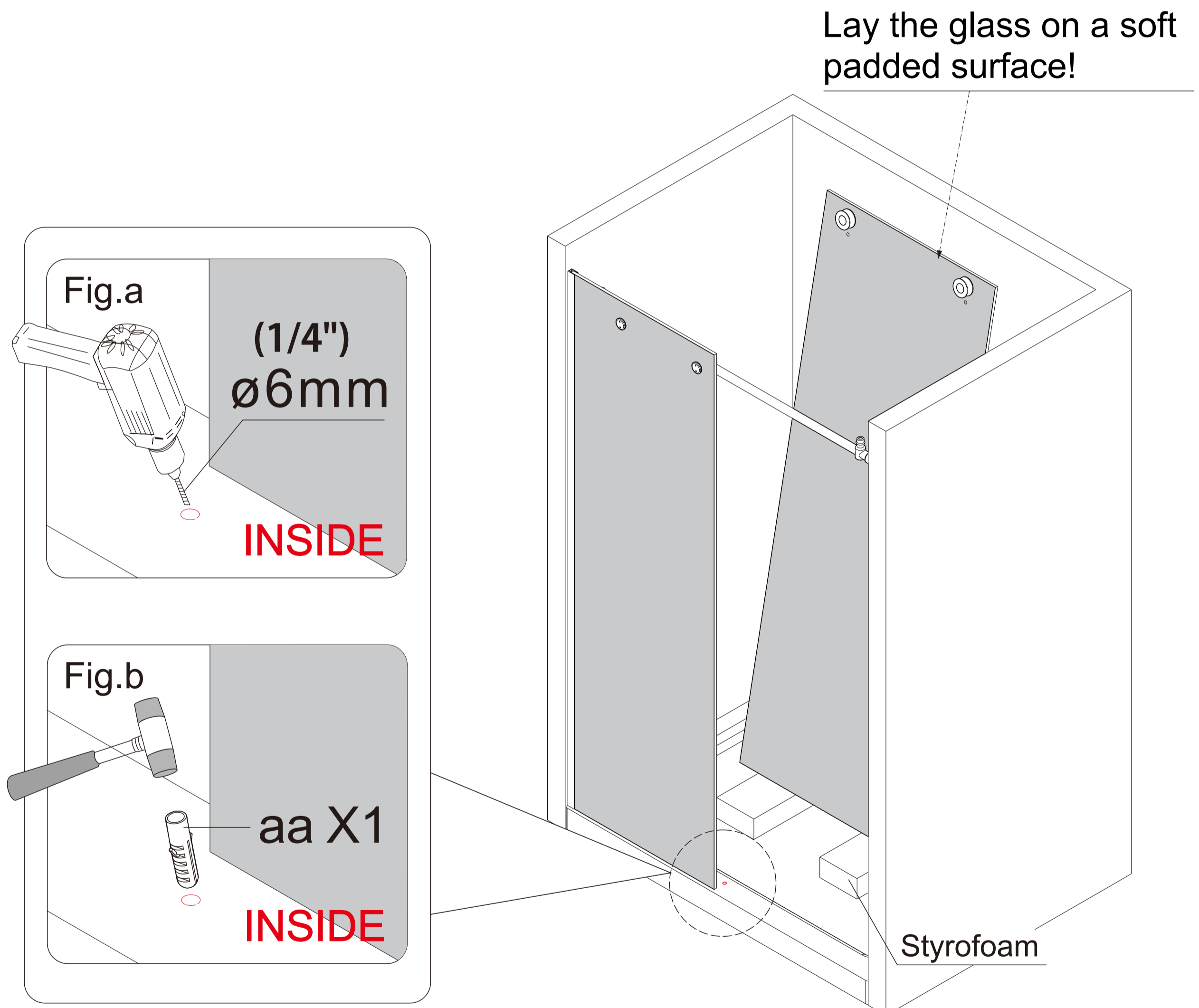


Note: The shower door can be installed left or right, according to the need to determine the installation direction.

14 Insert Wall Anchors(aa).

NOTE

1. Drill holes with $\Phi 6\text{mm}$ ($1/4''$) drill bit as Fig.a .
2. Insert **Wall Anchors(aa)** as Fig.b .

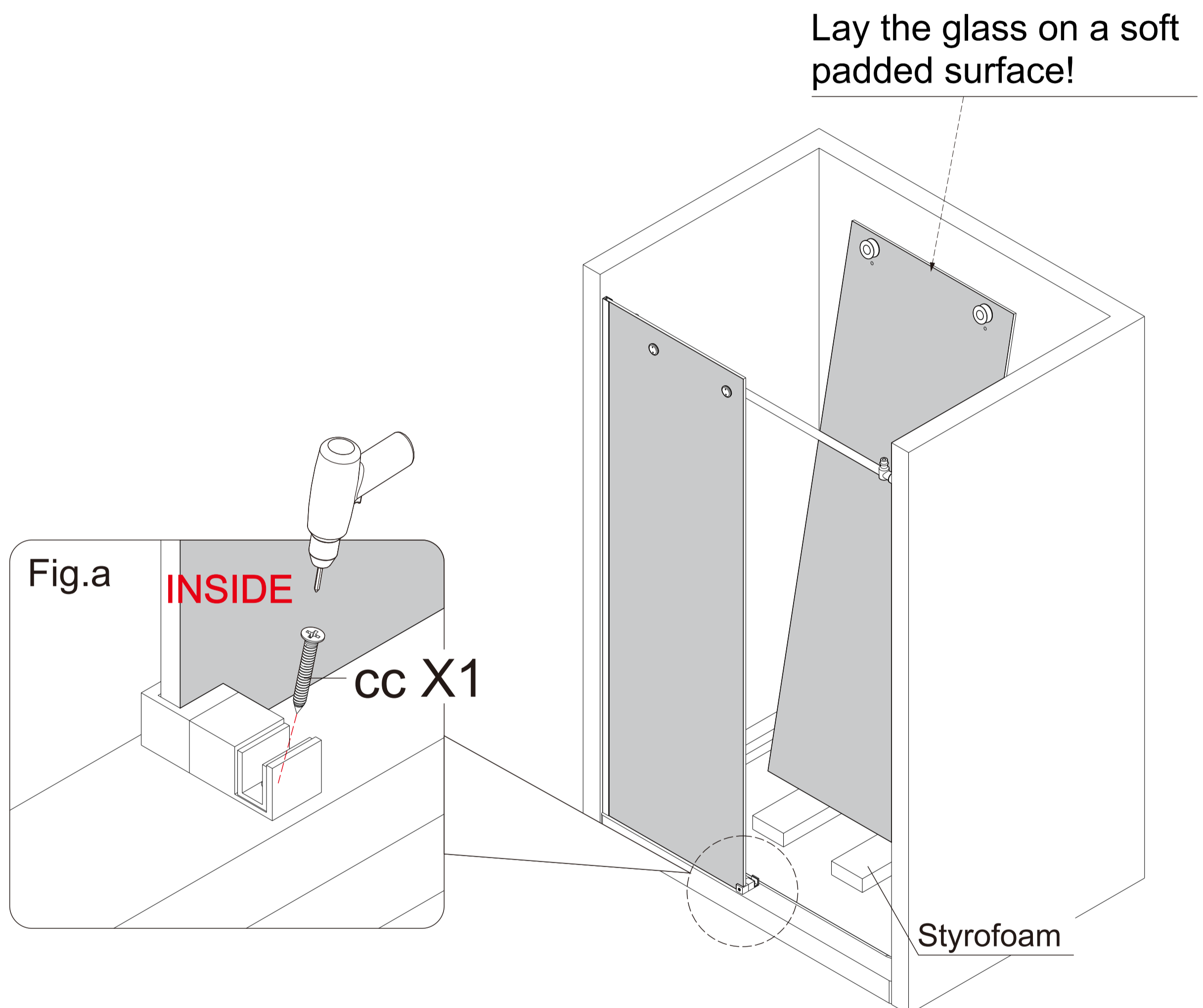


CAUTION: Do not put glass directly on the ground

15 Install Guide Block(Q)

NOTE

Secure the **Guide Block(Q)** with **Screws (cc)** as Fig.a .



Note: The shower door can be installed left or right, according to the need to determine the installation direction.

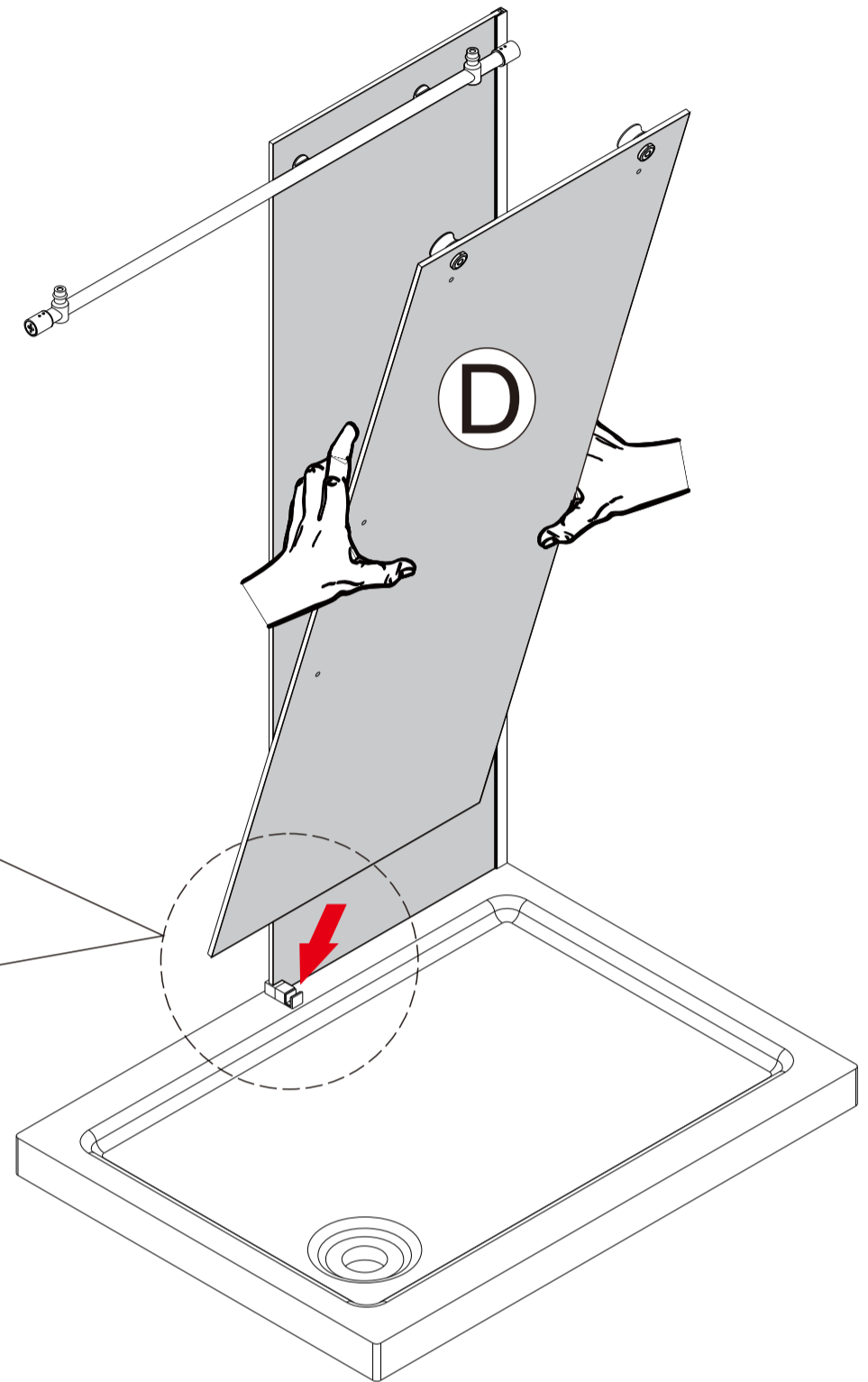
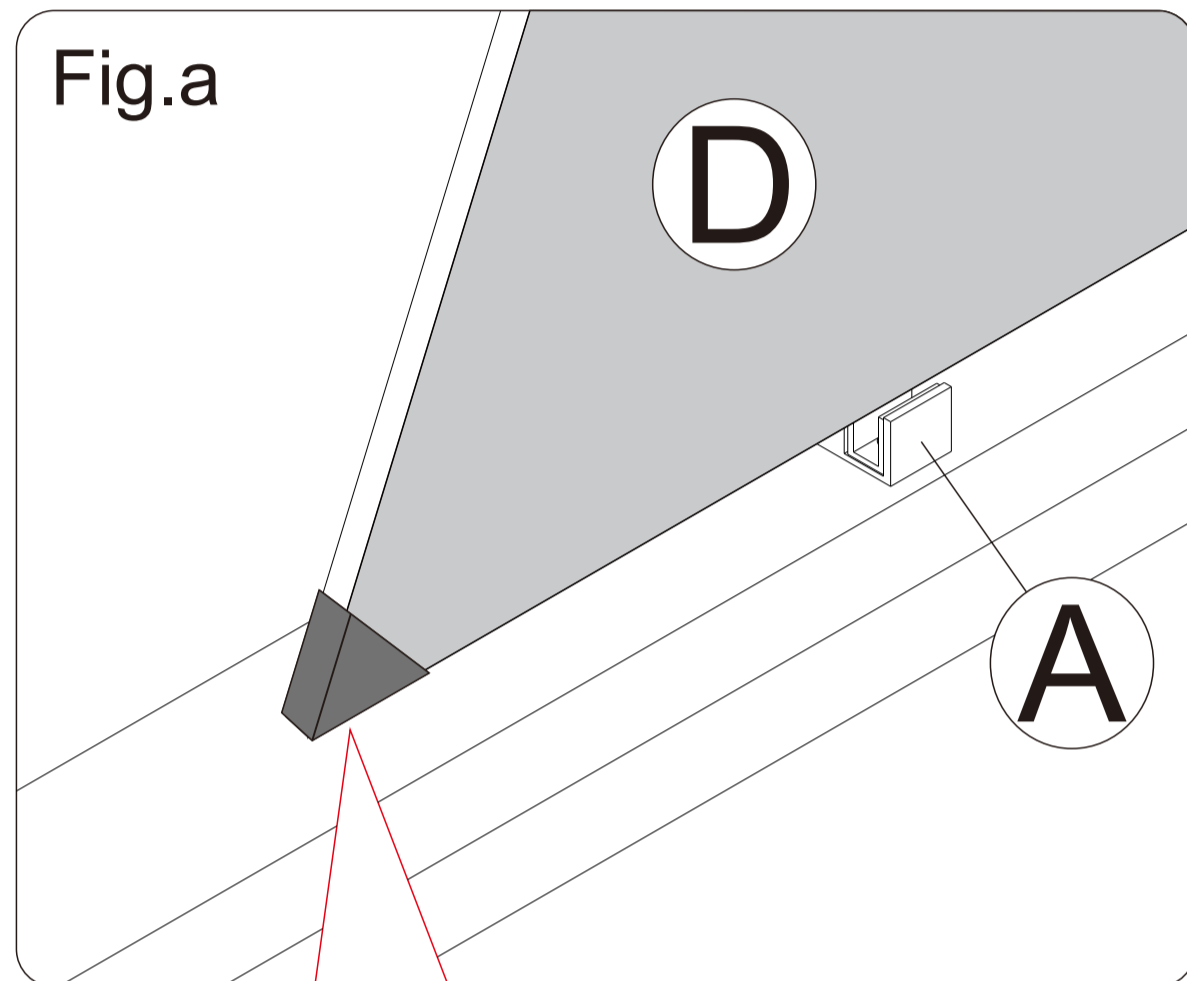
16 Install Glass Door(D)

NOTE

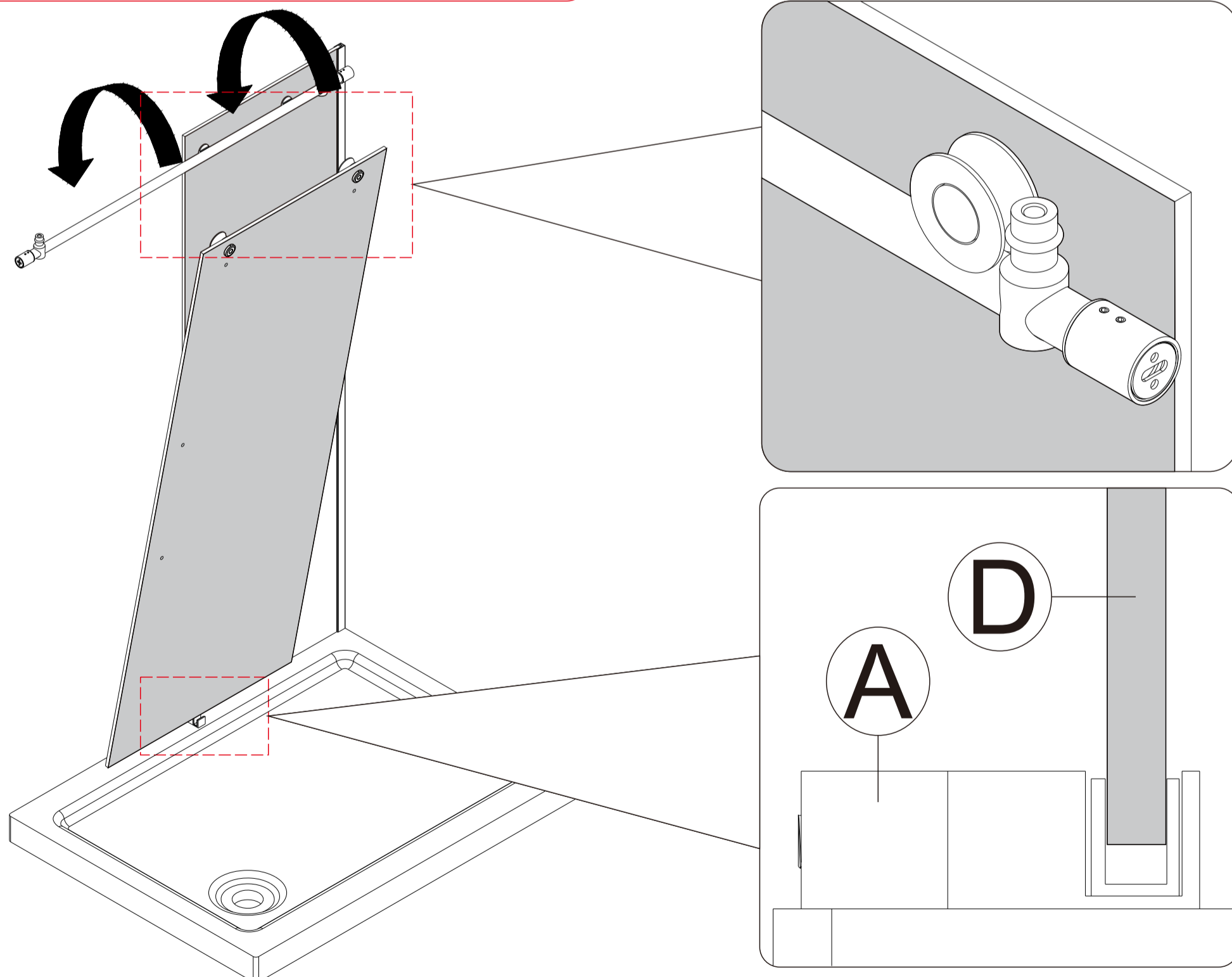
The **Glass Door (D)** is aligned with the **Guide Block(A)**, the **Rollers (G)** is hung on the **Upper Guide Rail (I)**, and the glass is inserted into the **Guide Block (A)** as Fig.a & Fig.b and Fig.c .



CAUTION: Do not put glass directly on the ground



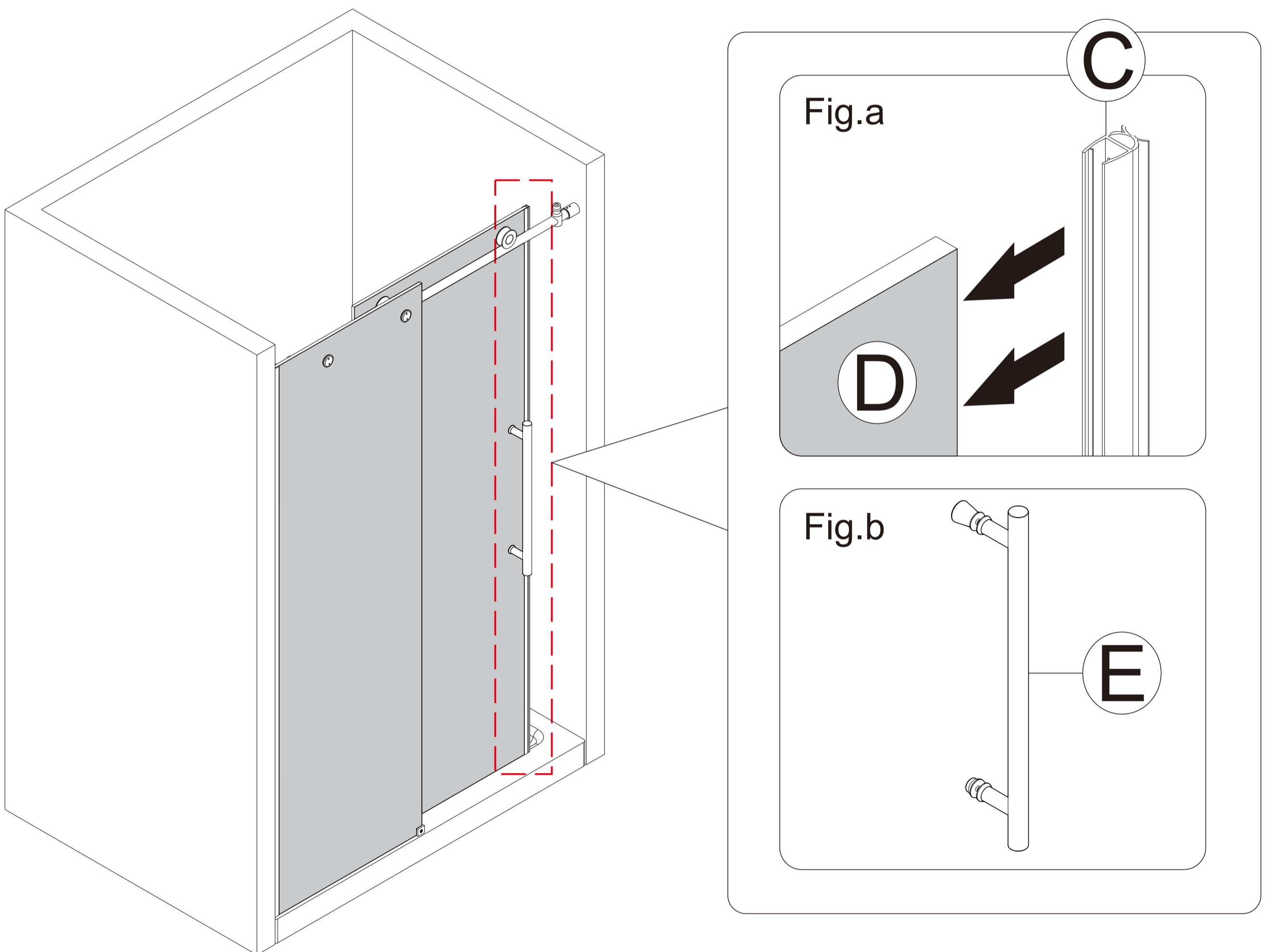
The glass corner protector needs to be placed on the glass to avoid breaking the glass



17 Install the **Bumper Strip(C)** and **Handles(E)**

NOTE

1. Install the **Bumper Strip(C)** on the **Glass Door(D)** as Fig.a .
2. Install the **Handle(E)** on the **Glass Door(D)** as Fig.b .

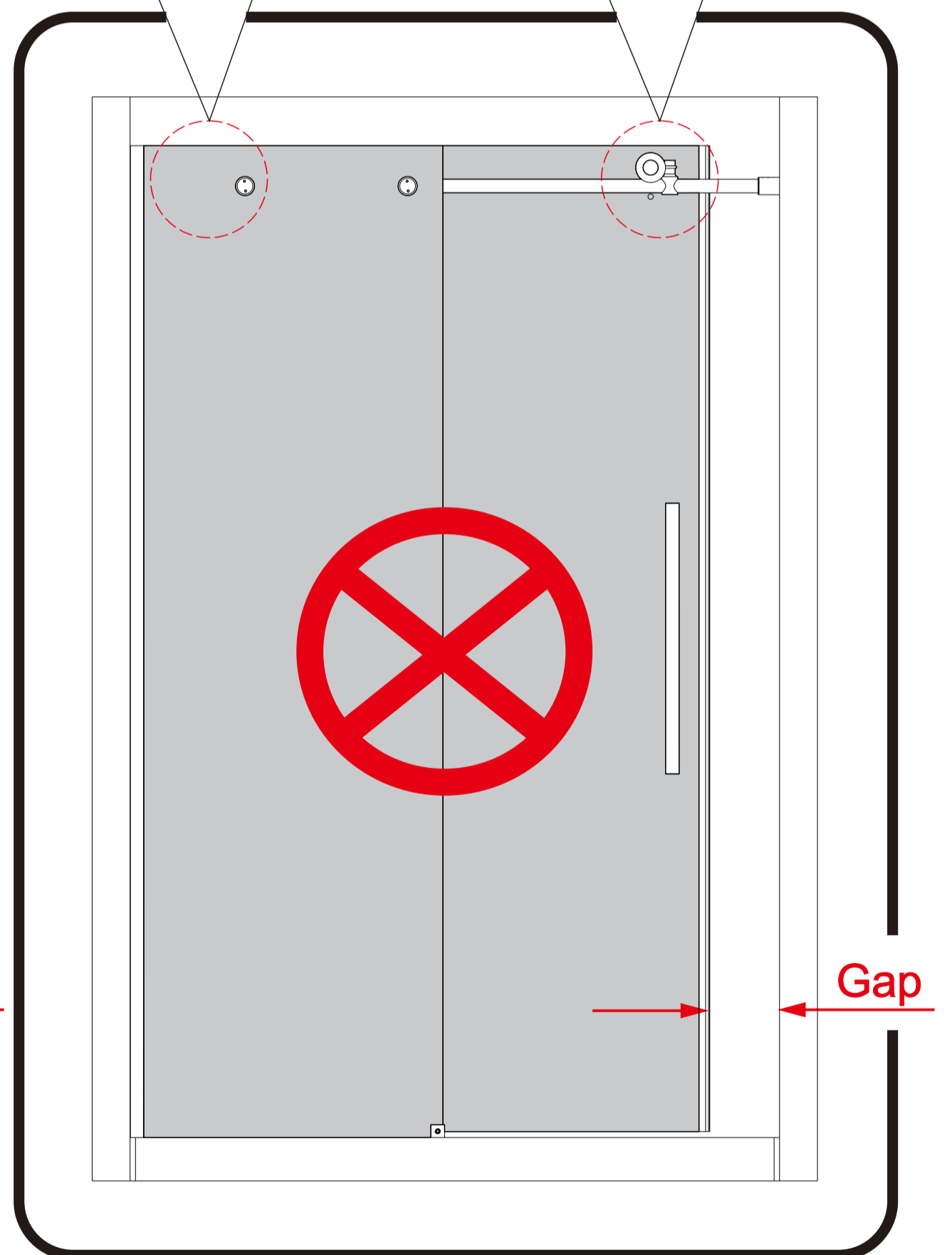
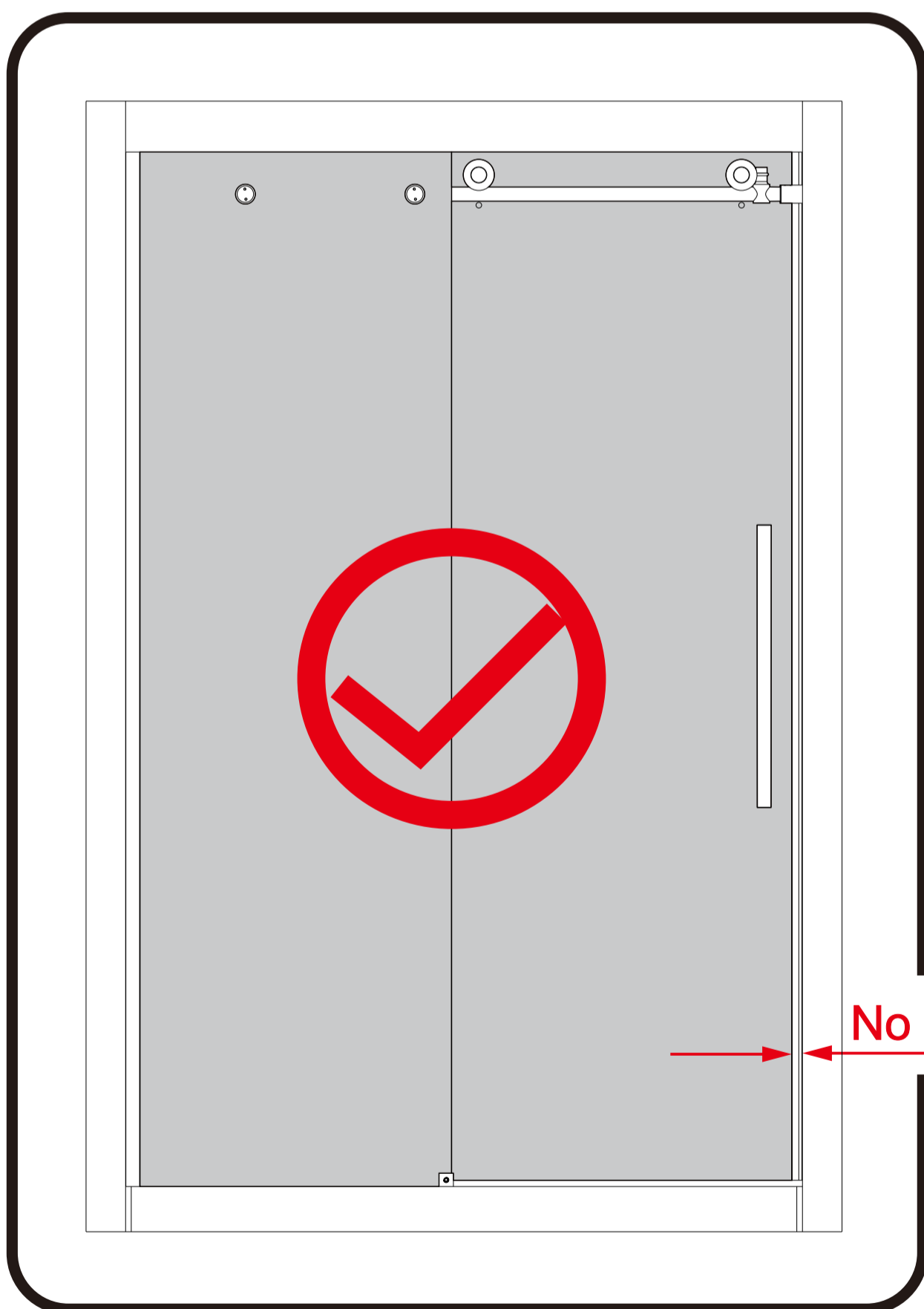
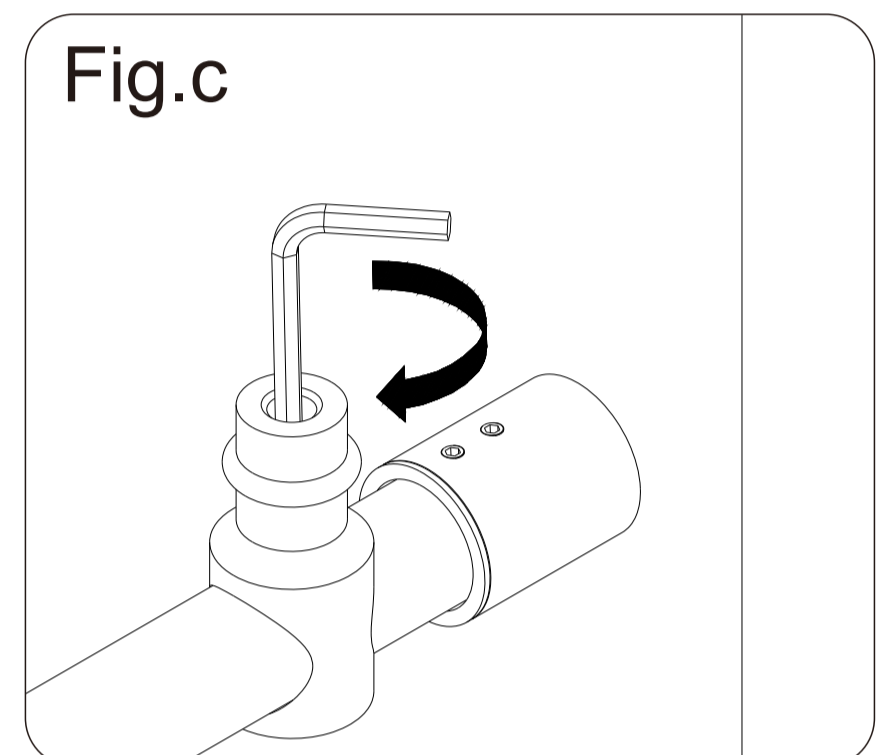
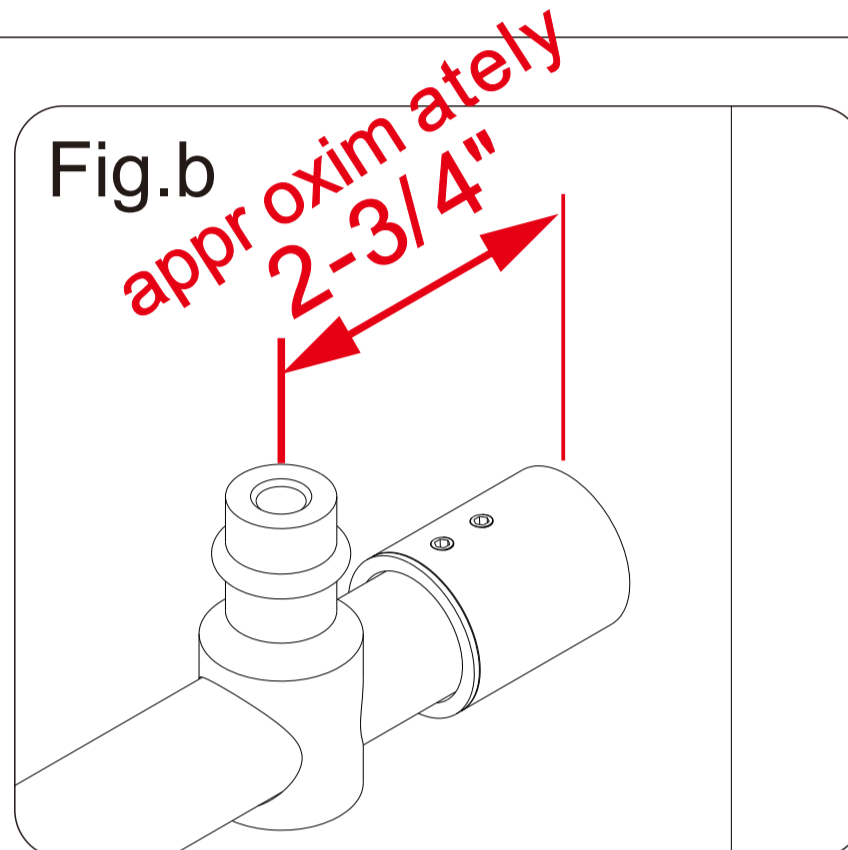
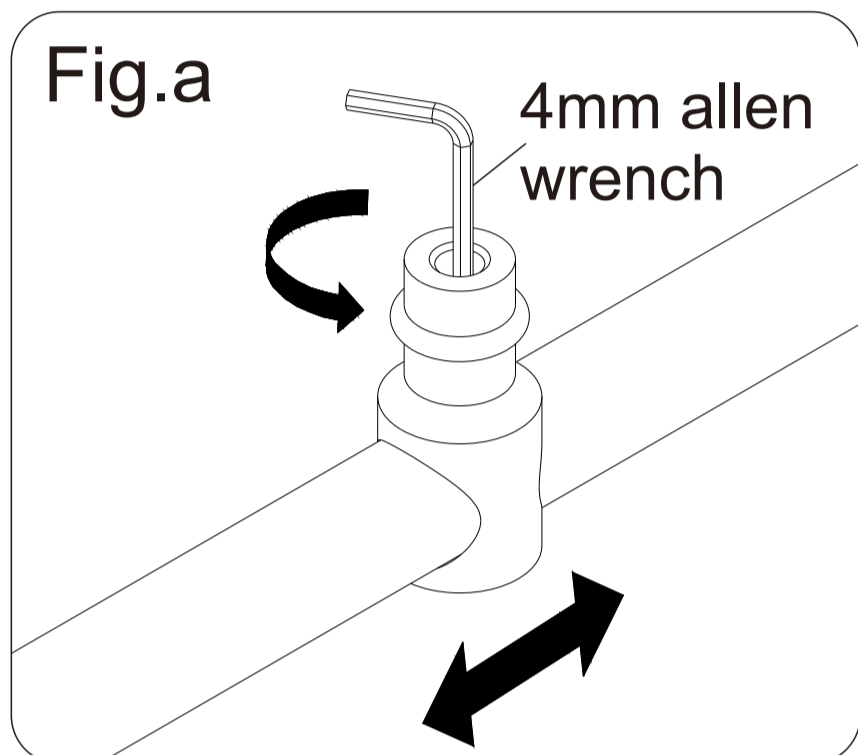


Note: The shower door can be installed left or right, according to the need to determine the installation direction.

18-1 Adjustment(Seamless and no adjustments required)

NOTE

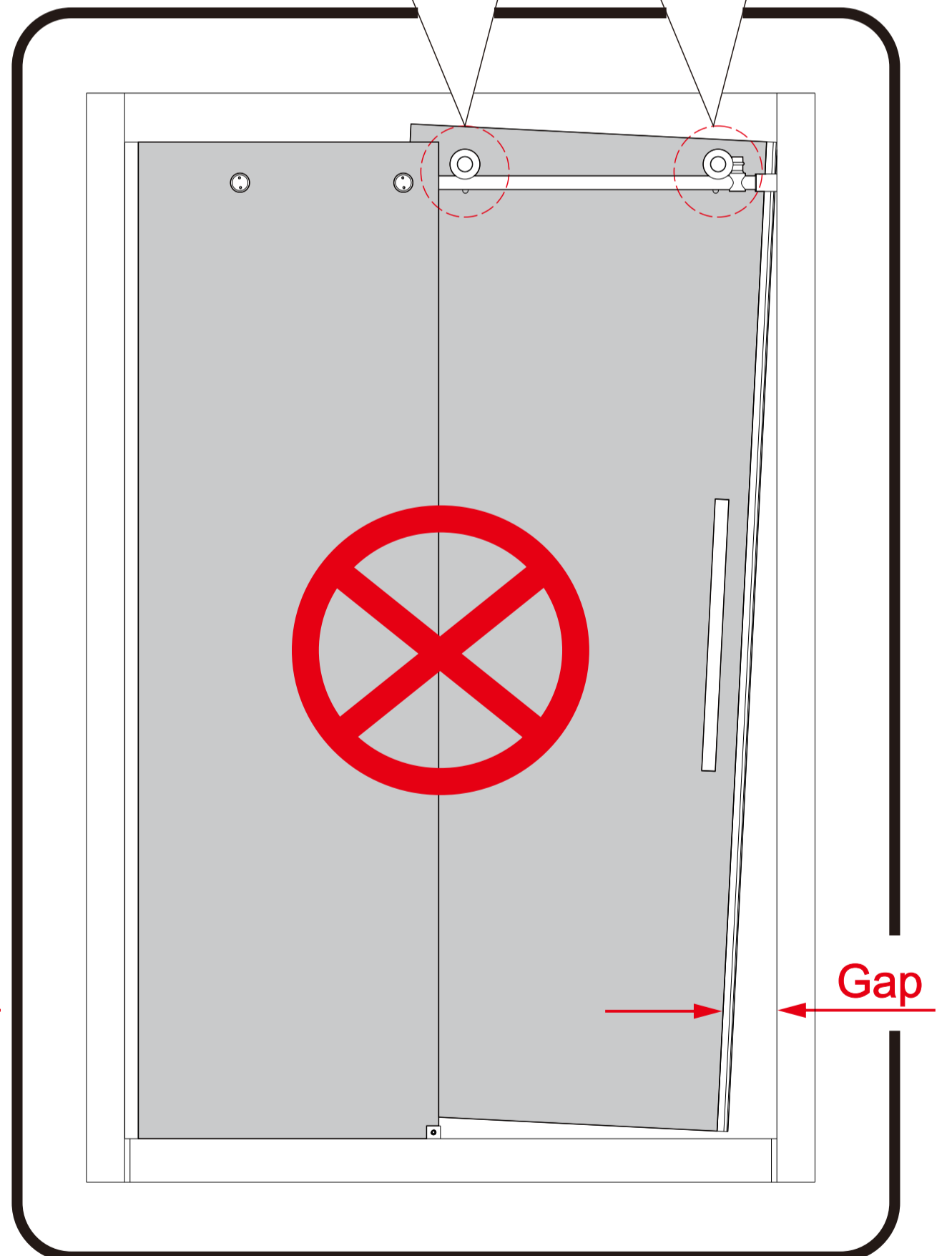
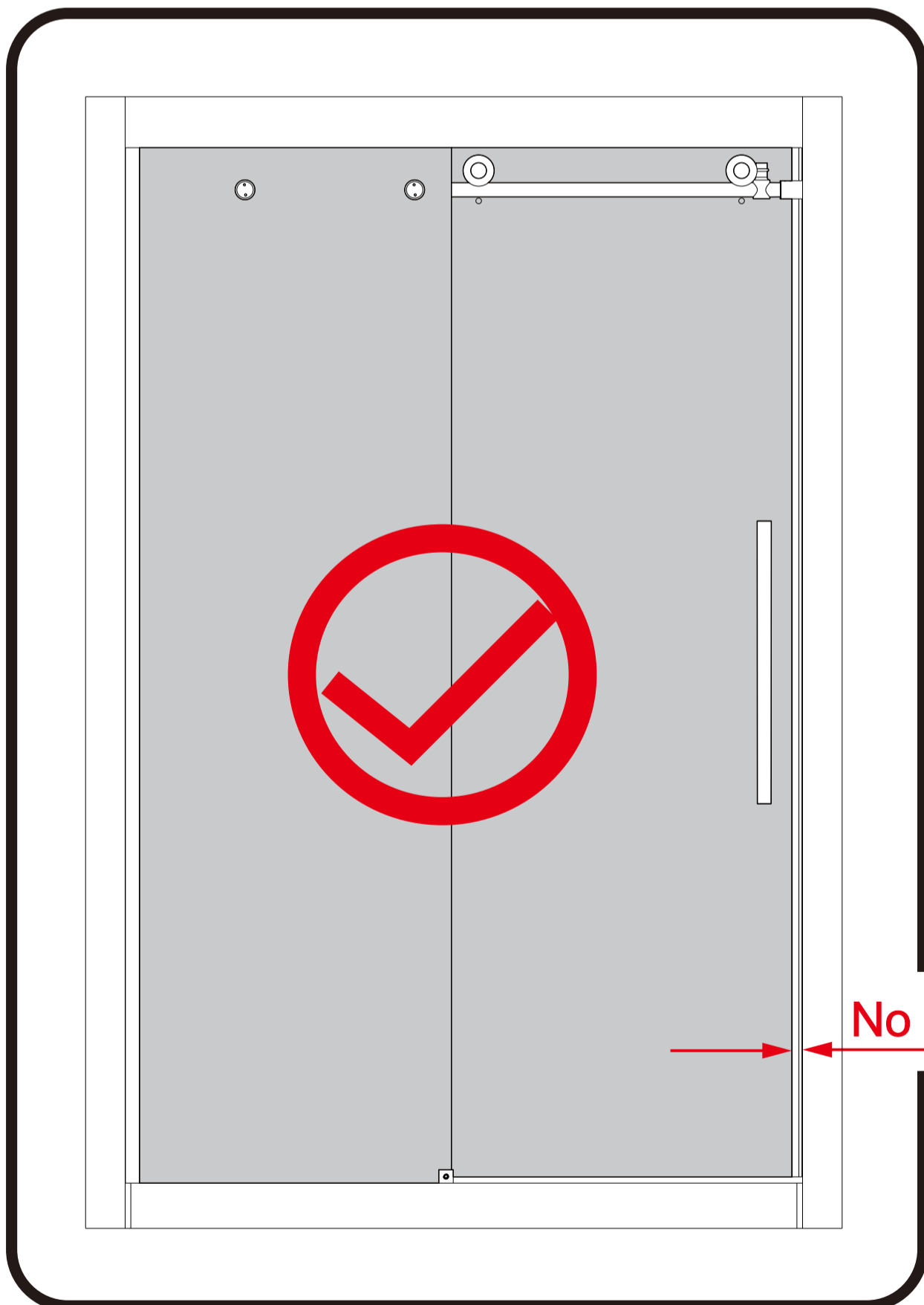
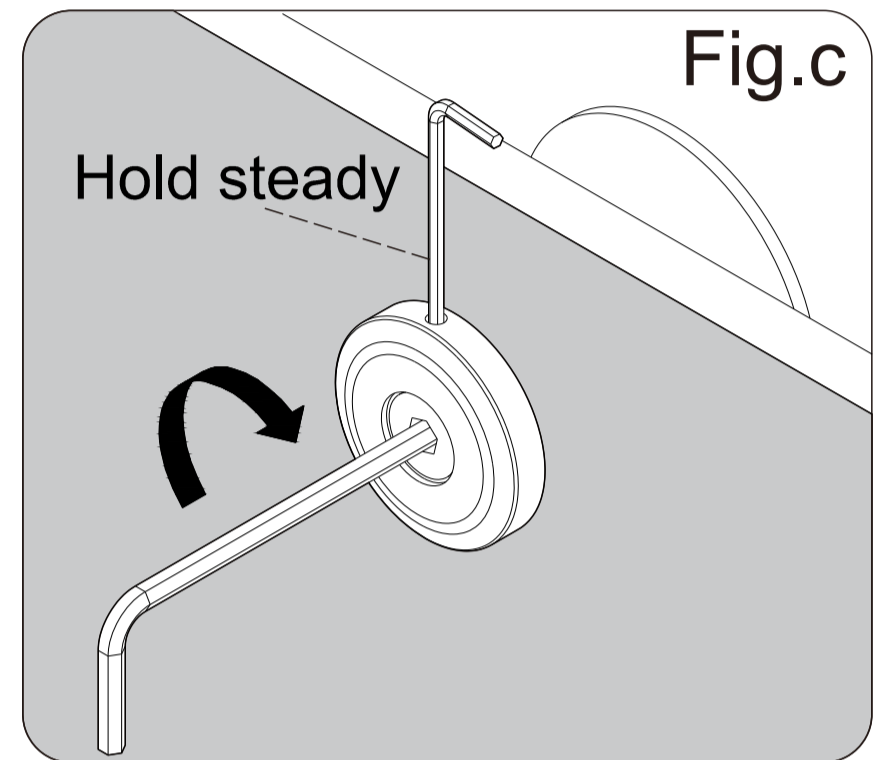
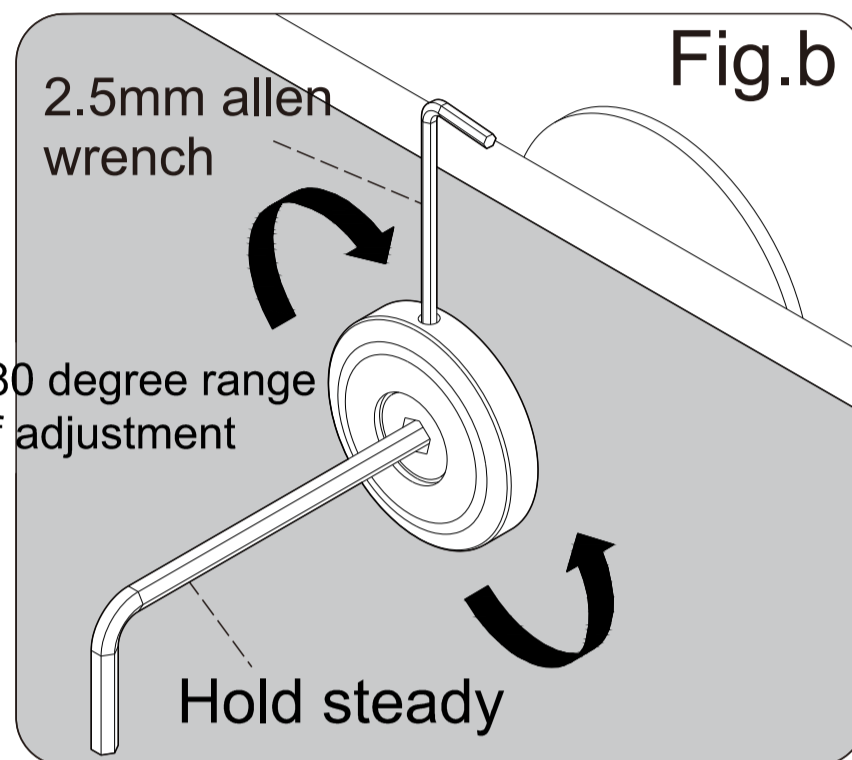
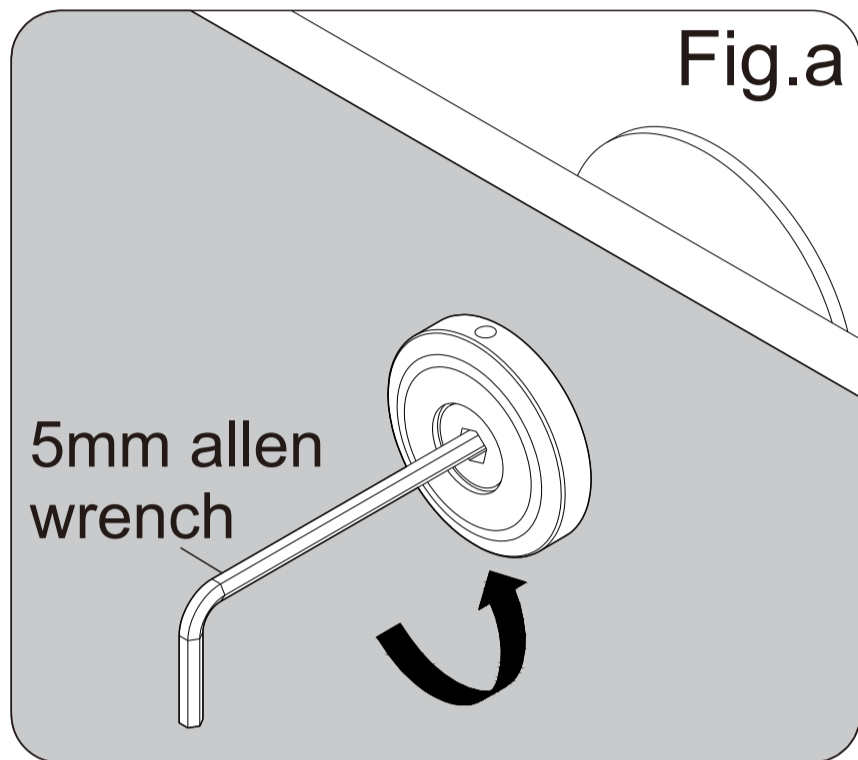
1. Use a hex wrench to loosen the **Door Stoppers(K)** as Fig.a .
2. Adjust the **Door Stoppers(K)** to a distance of approximately 2-3/4 inches from the wall as Fig.b .
3. Use a hex wrench to lock the **Door Stoppers(K)** as Fig.c .



18-2 Adjustment(Seamless and no adjustments required)

NOTE

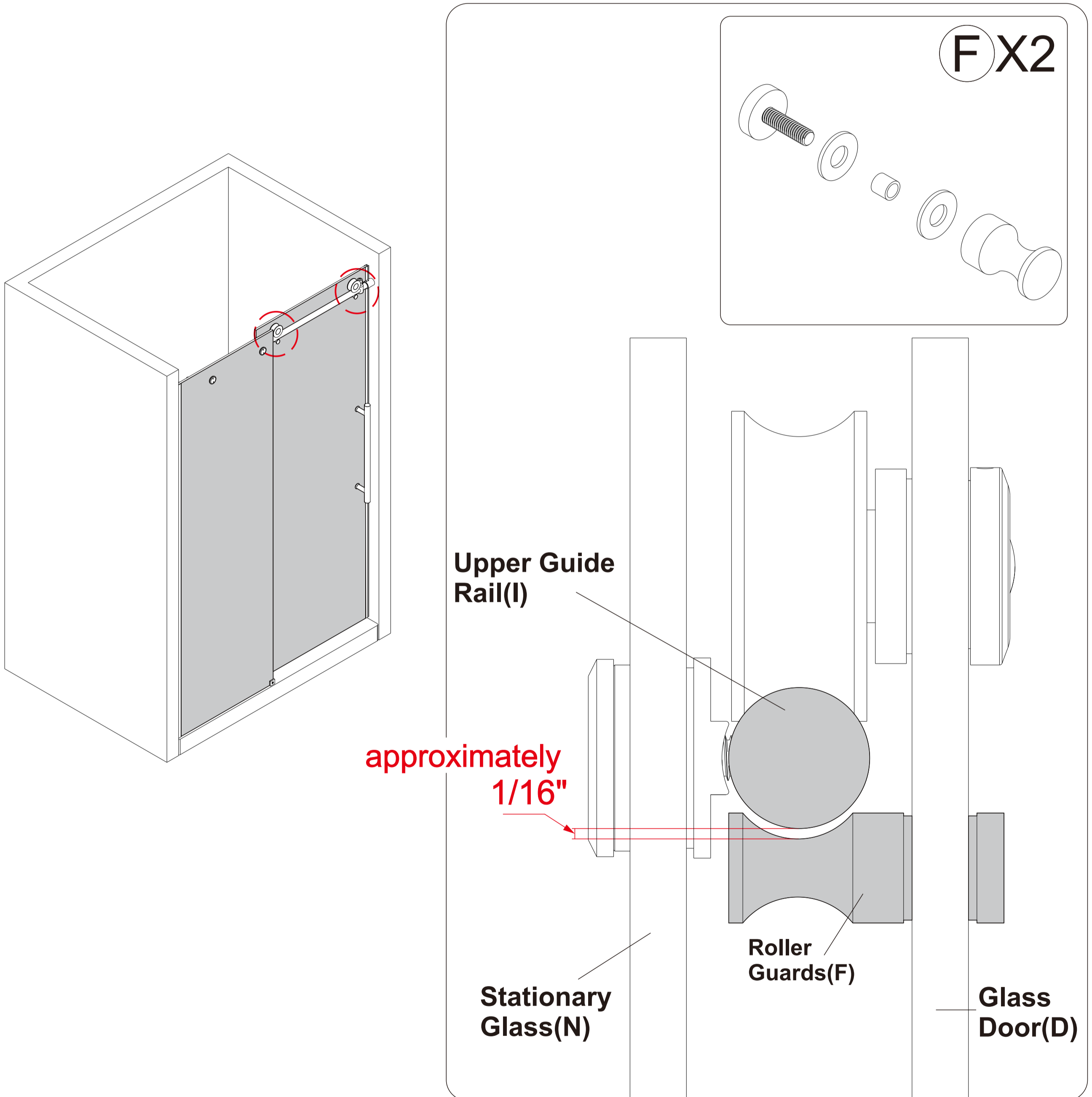
Adjust the **Rollers (G)** with a hex wrench so that the **Bumper Strip (C)** is flush with the wall as Fig.a & Fig.b and Fig.c .



19 Install the Roller Guards(F)

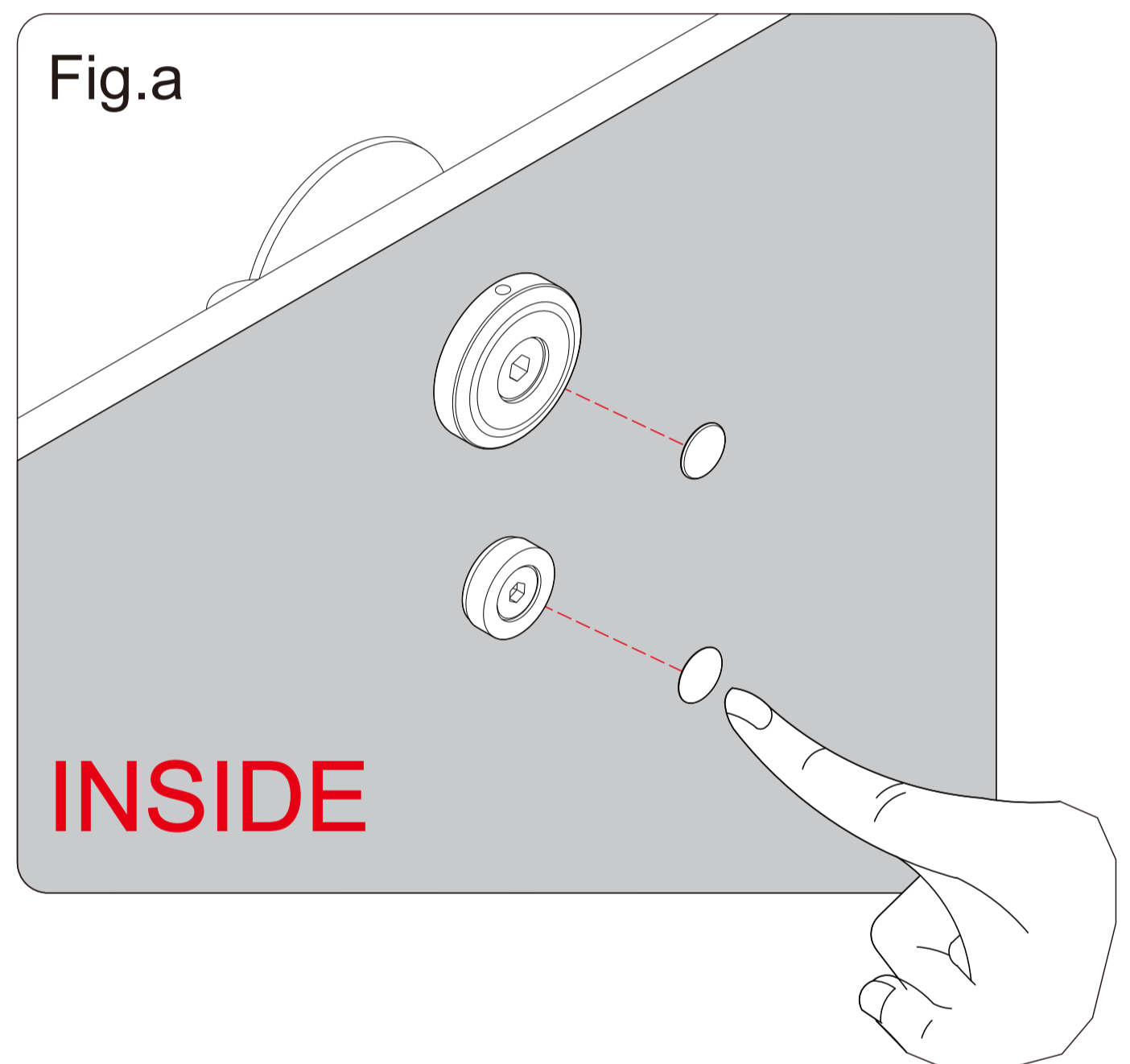
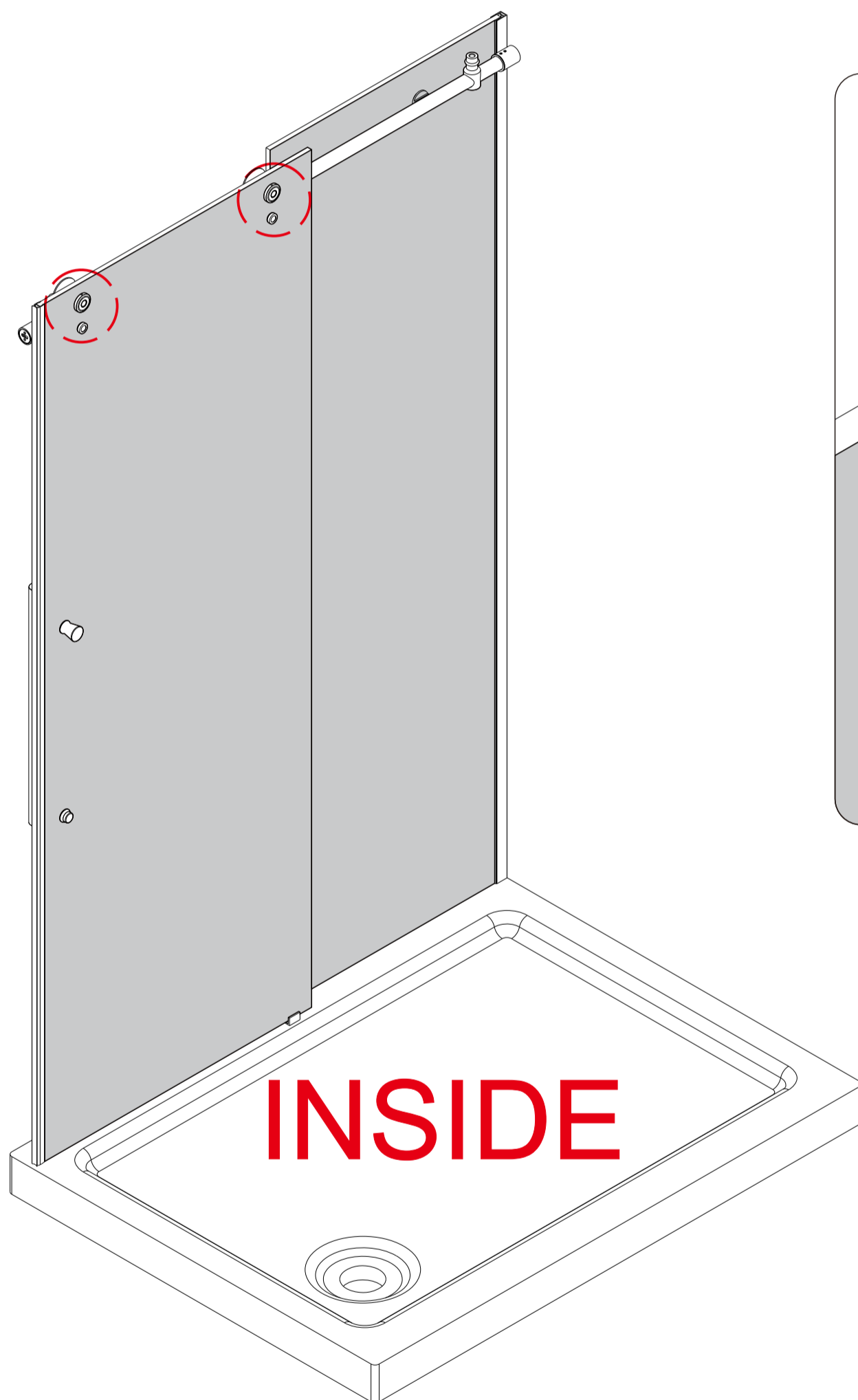
NOTE

1. Install the **Roller Guards(F)** on the **Glass Door (D)** to prevent the **Glass Door (D)** from falling off, and adjust the **Roller Guards(F)** to a position about 1/16" away from the **Upper Guide Rail(I)**.



20 Install the decorative cover

NOTE 1. Install the decorative cover of the **Rollers(G)** and the **Roller Guards(F)** decorative cover as Fig.a .

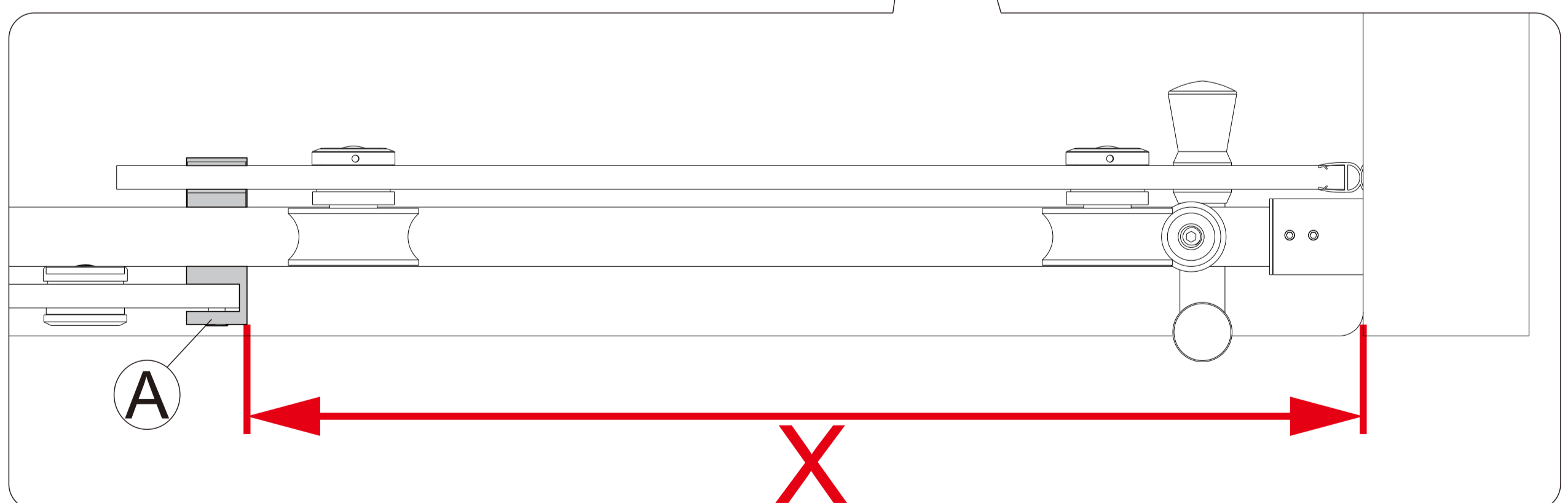
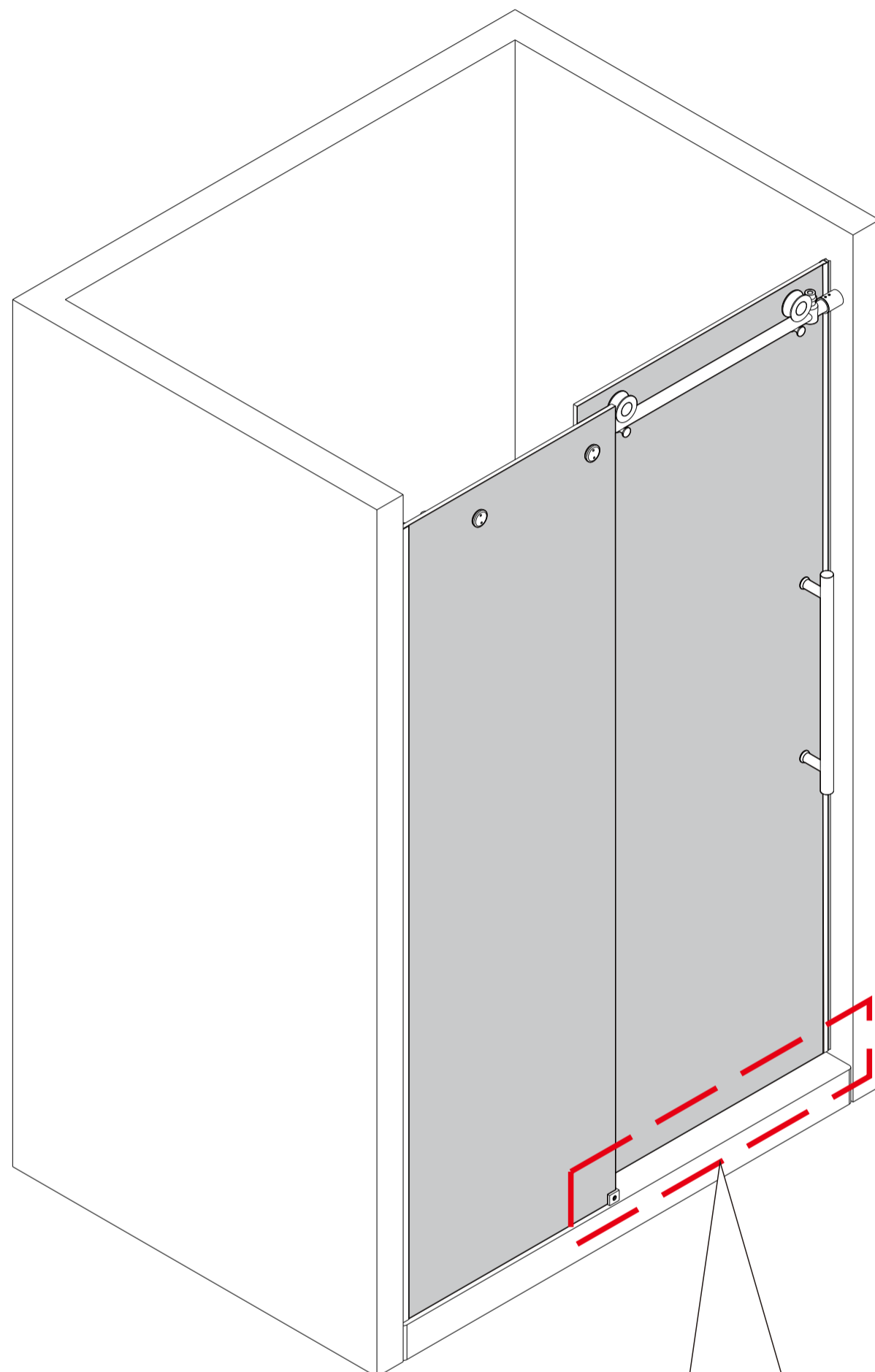


21₋₁

Install the **Threshold(B)**

NOTE

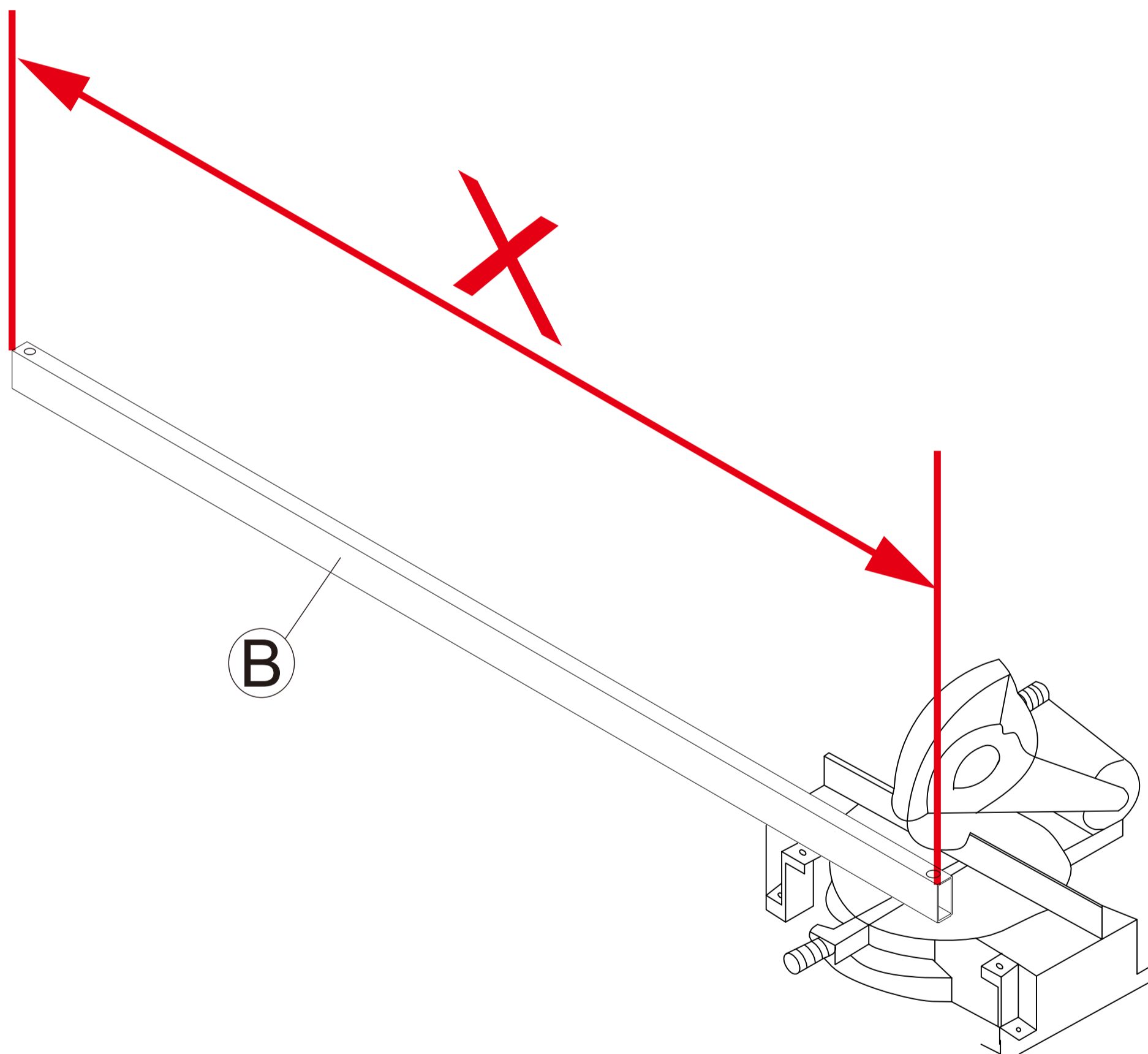
1. Measure the dimensions between the **Guide Block (A)** slot and the wall as Fig.a .



21₋₂ Install the **Threshold(B)**

NOTE

1. Cut the **Threshold(B)** to the corresponding size.
2. Only one side is cut, and there is no problem if the size is too small to leave a hole

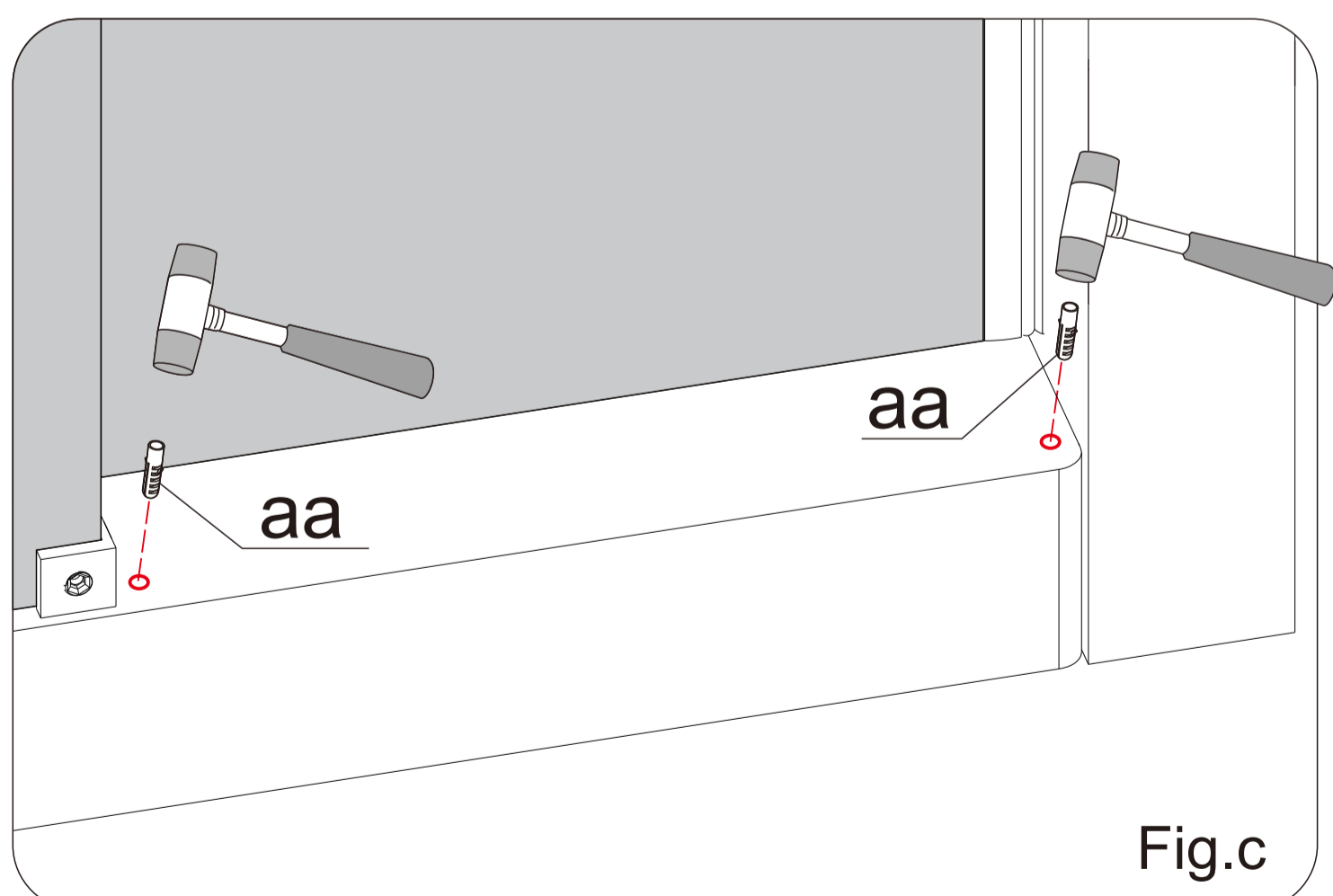
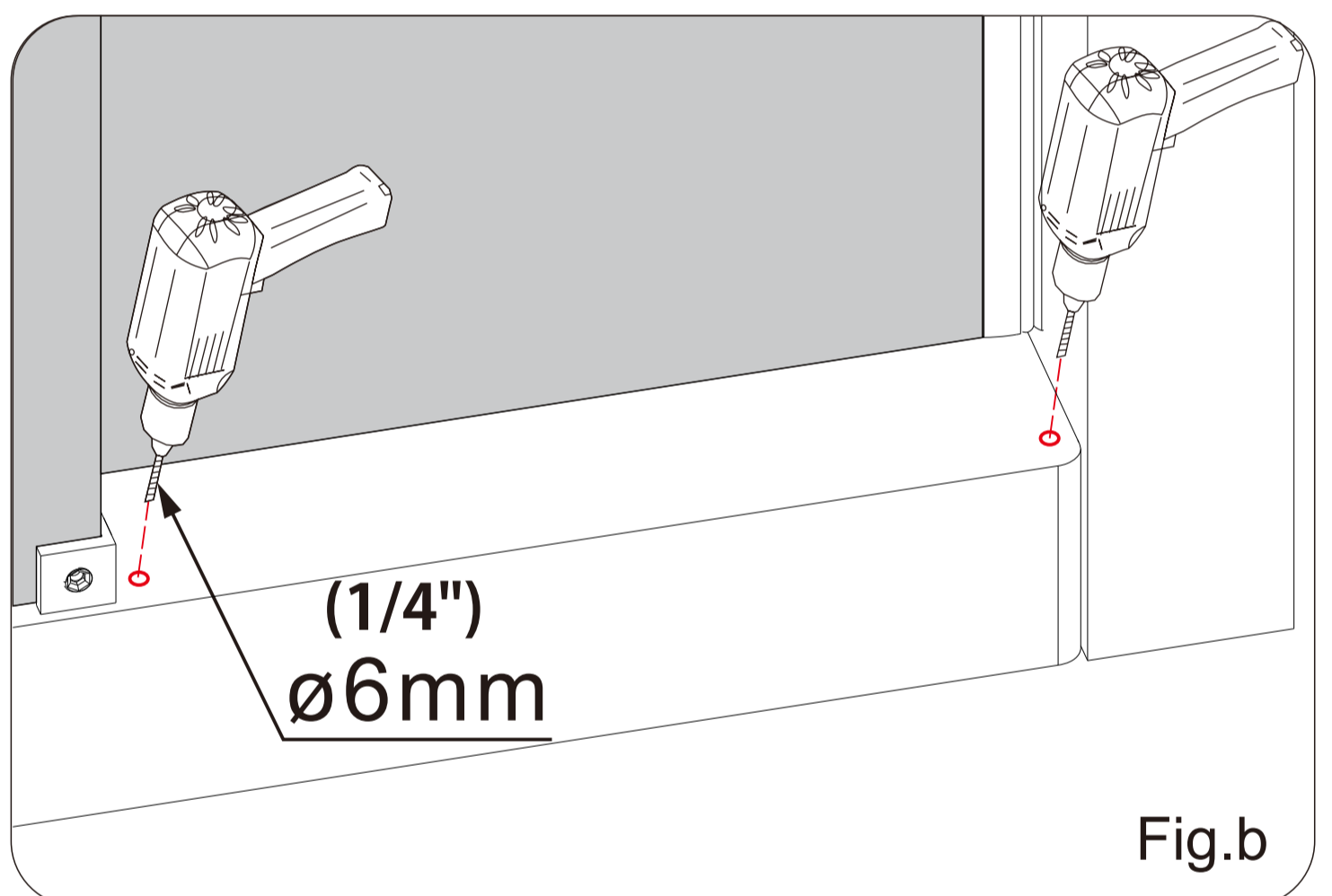
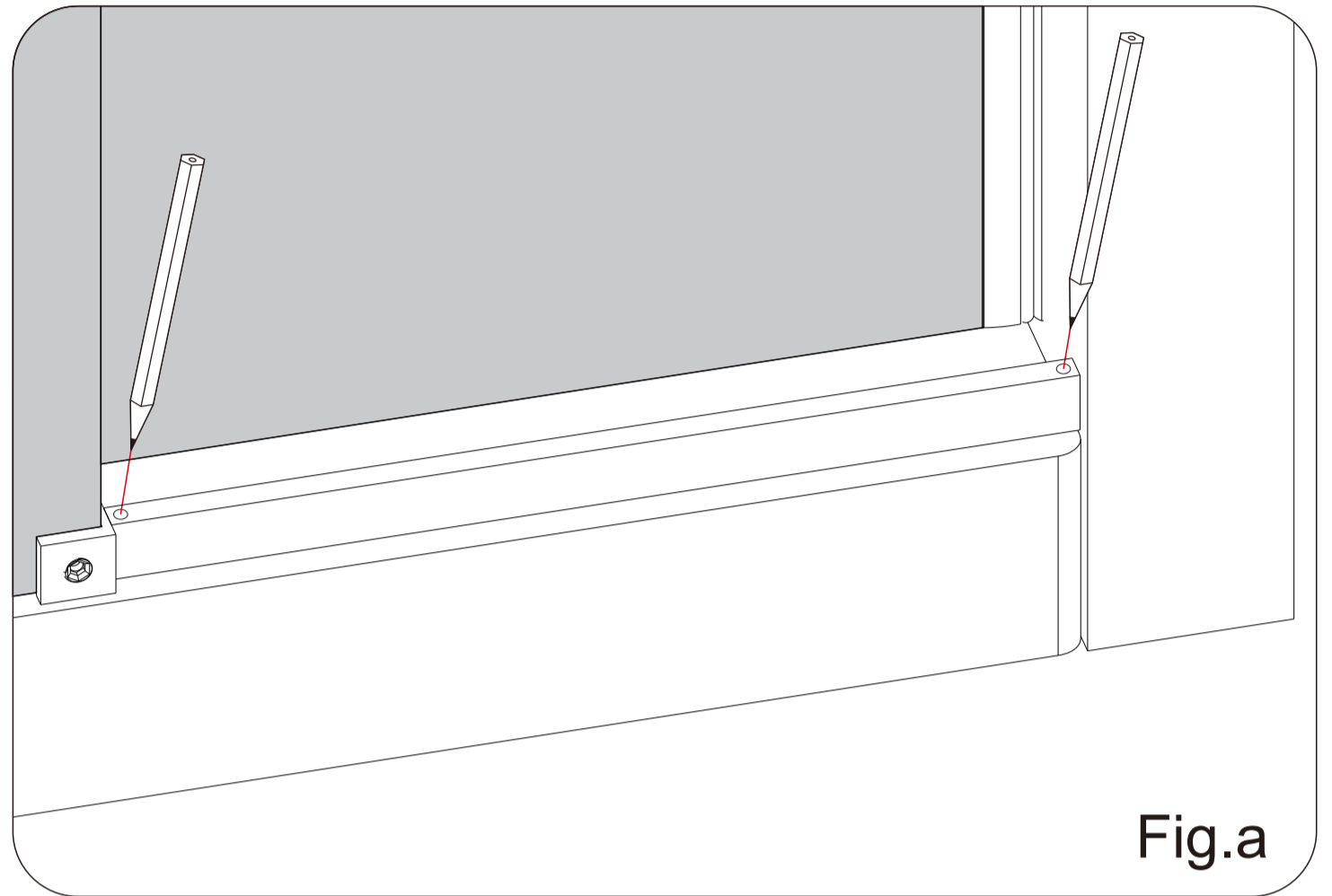
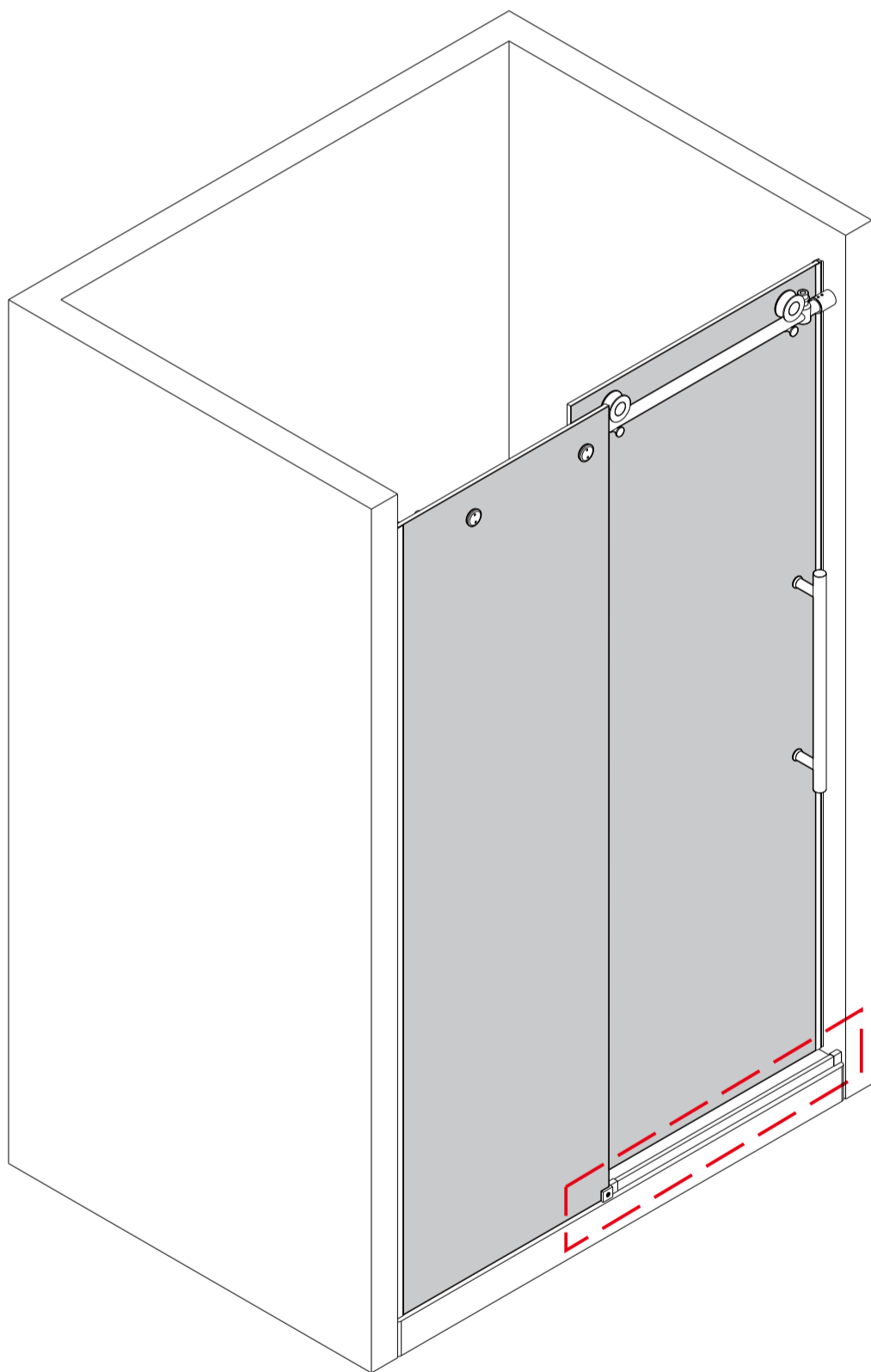


21₋₃

Install Wall Anchor(aa)

NOTE

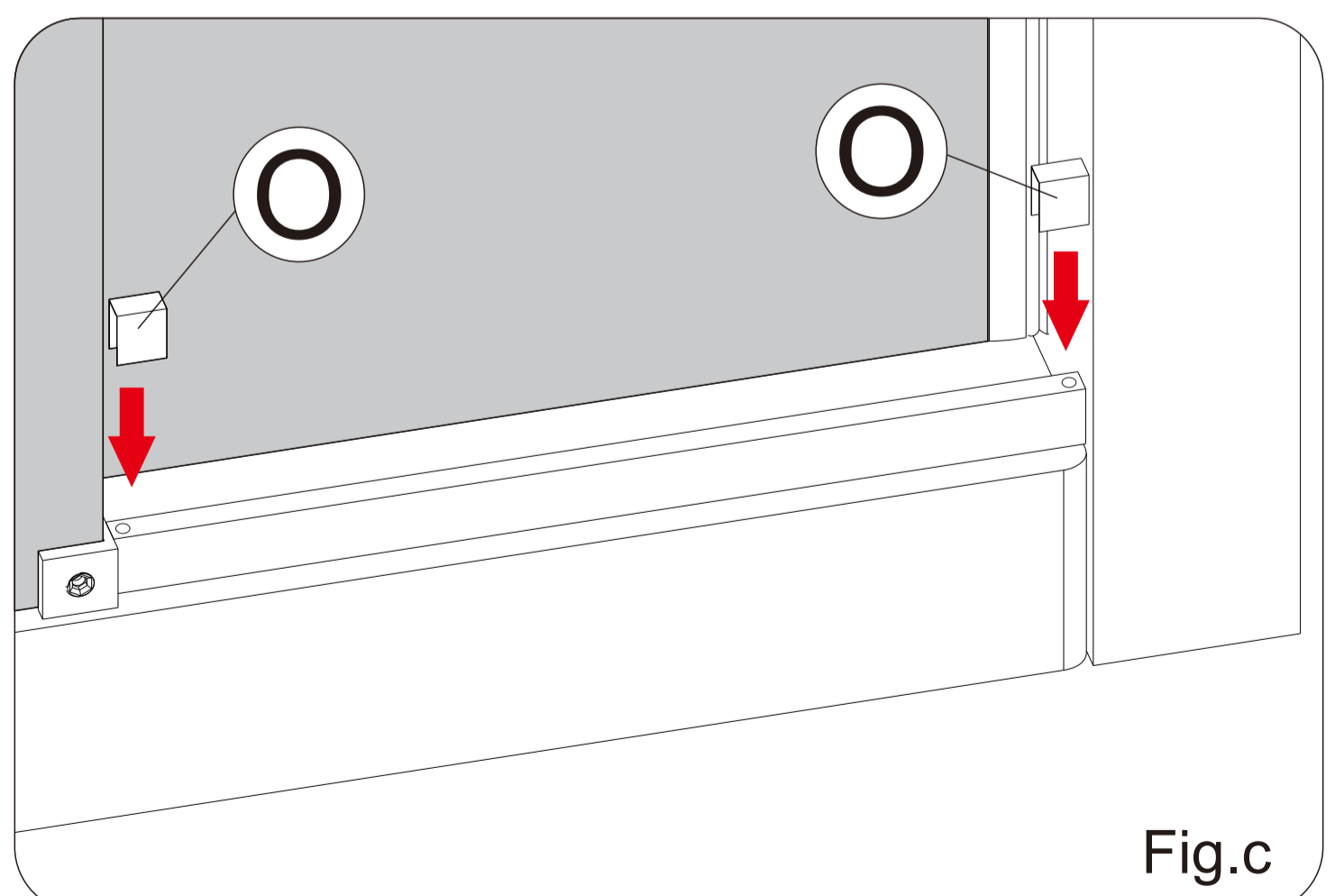
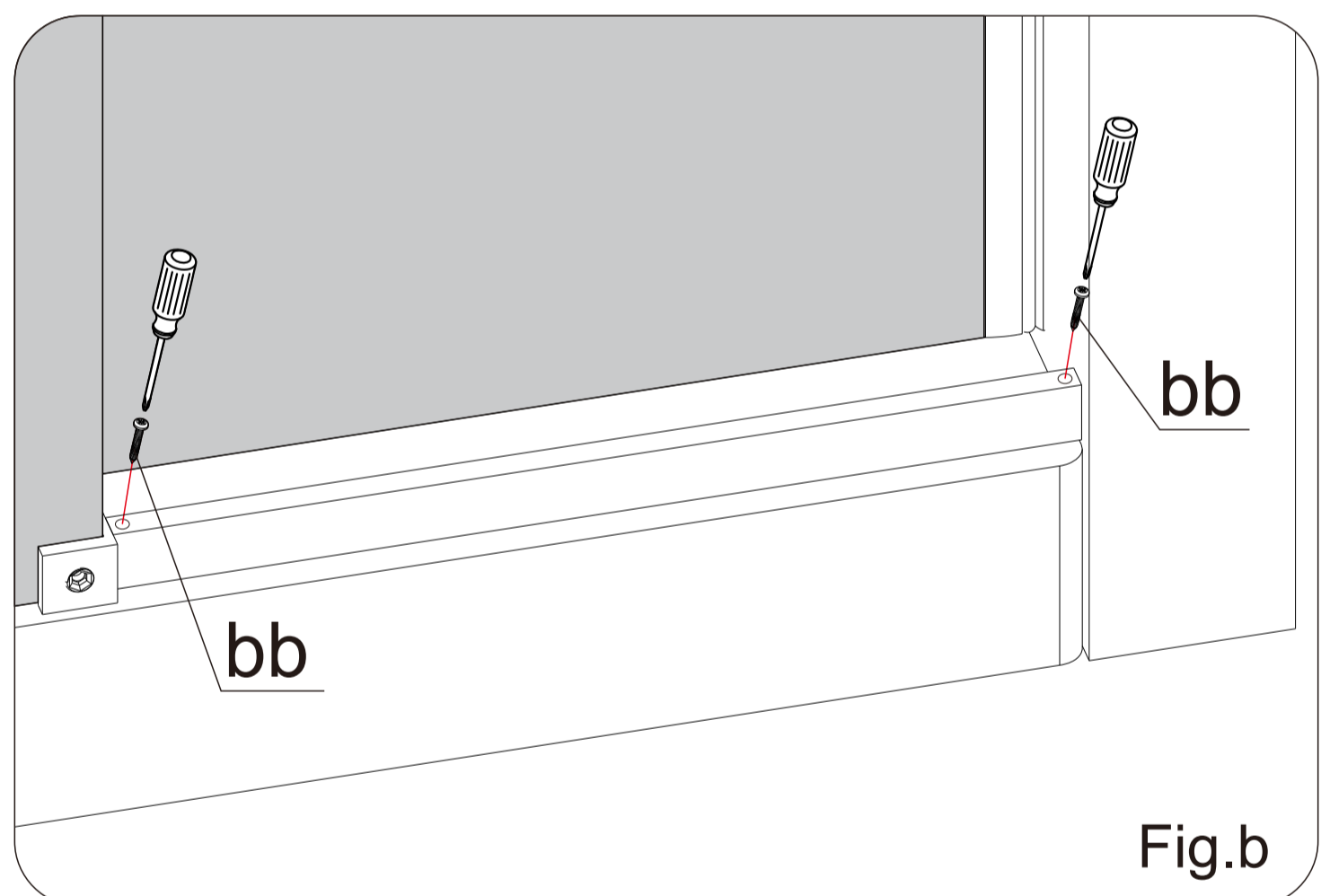
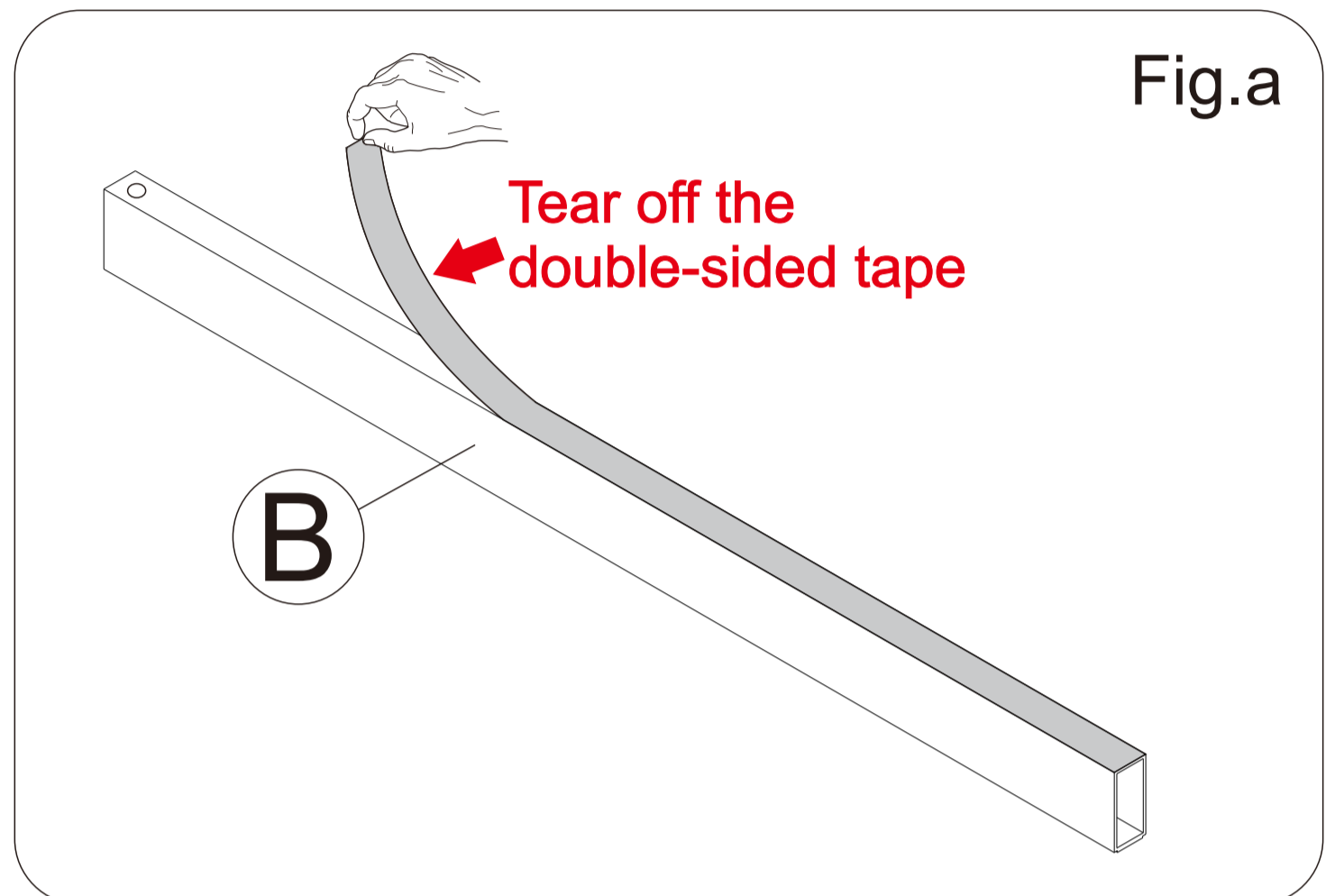
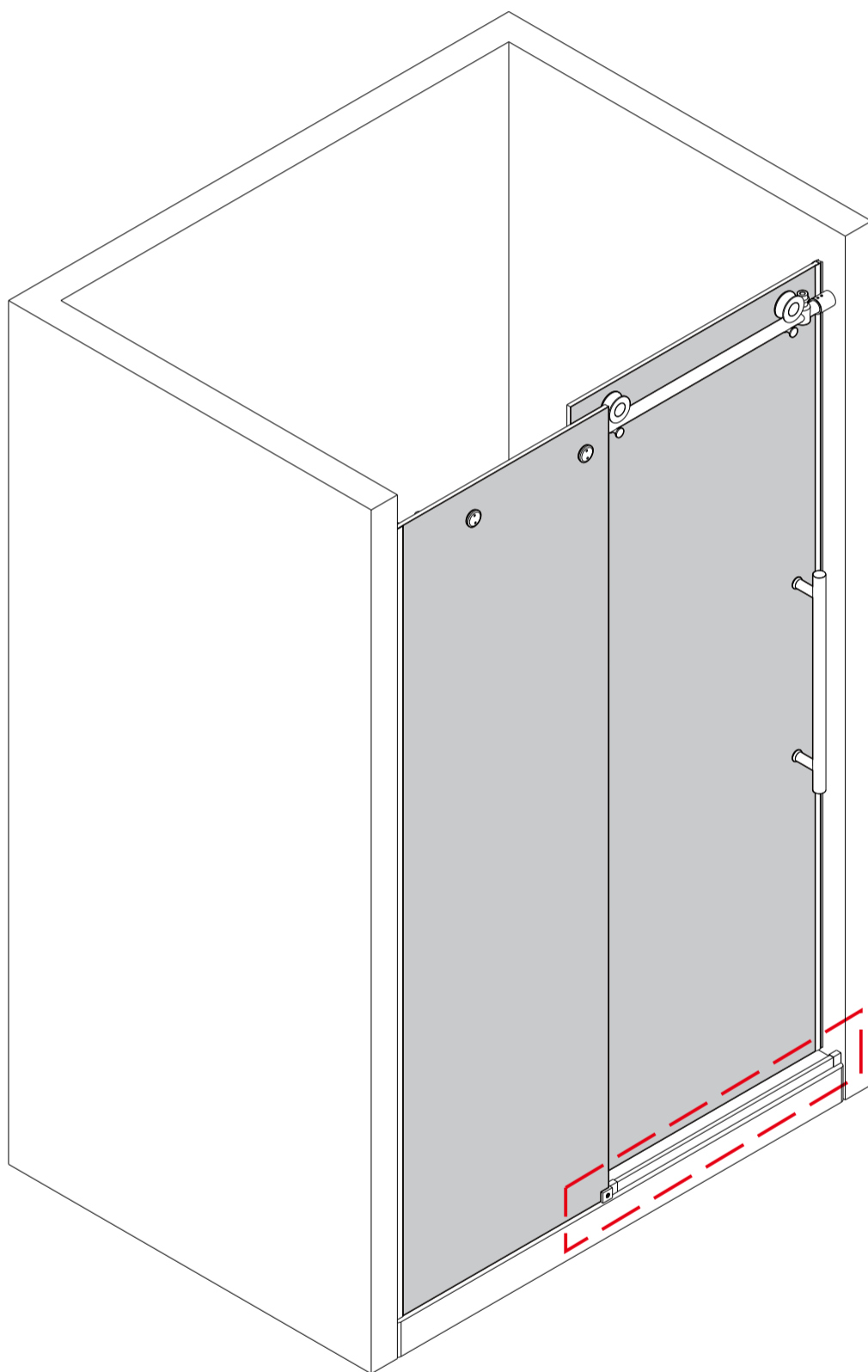
1. Mark the holes with a pencil as Fig.a .
2. Drill holes with $\Phi 6\text{mm}$ (1/4") drill bit as Fig.b.
3. Insert the **Wall Anchors(aa)** as Fig.c.



21₋₄ Install the Threshold(B)

NOTE

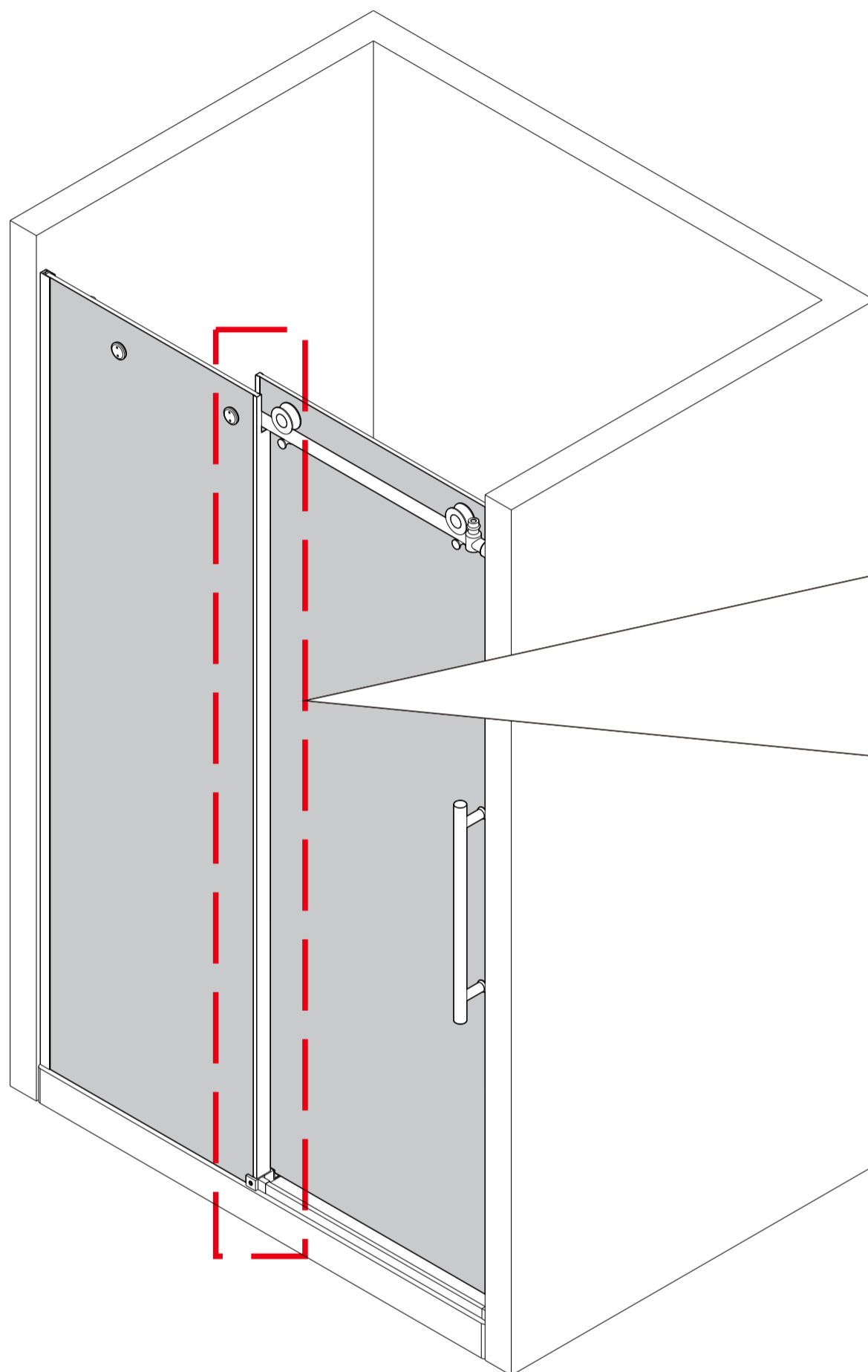
1. Tear off the double-sided tape on the **Threshold(B)** as Fig.a .
2. Fix the **Threshold(B)** with a **Screw (bb)** as Fig.b .
3. Installing the **Threshold(B)** and the **Threshold cover(O)** as Fig.b .



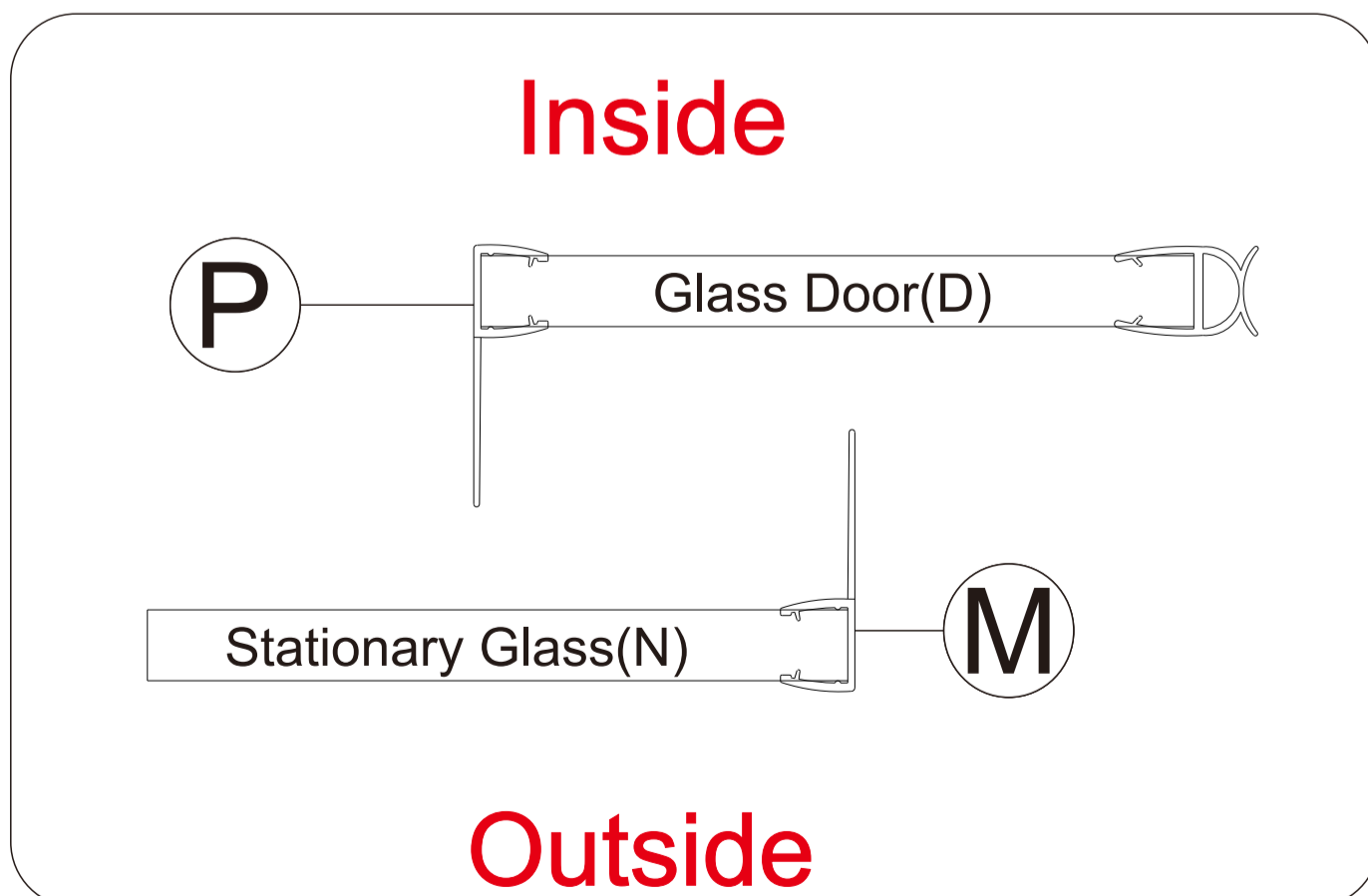
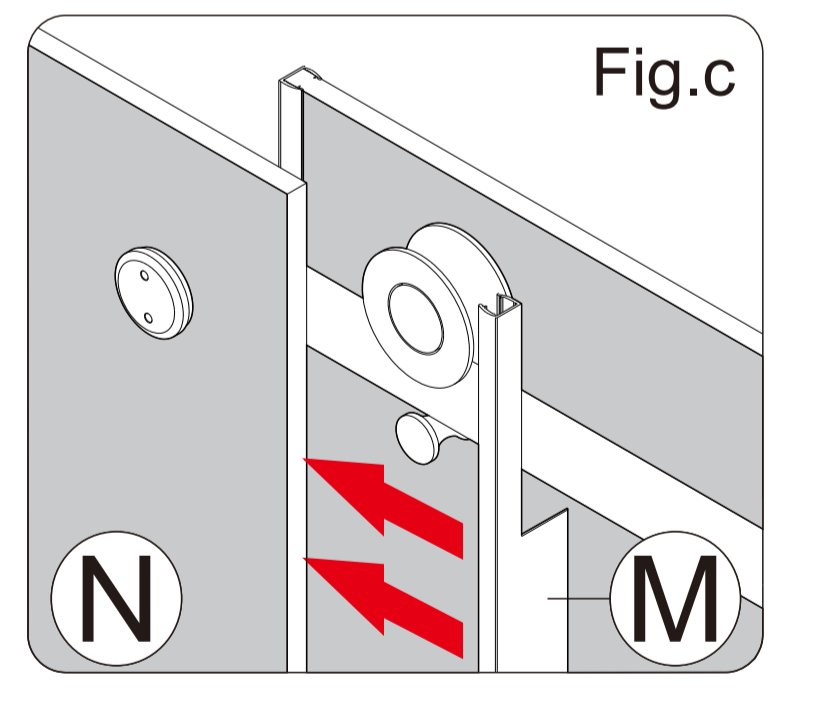
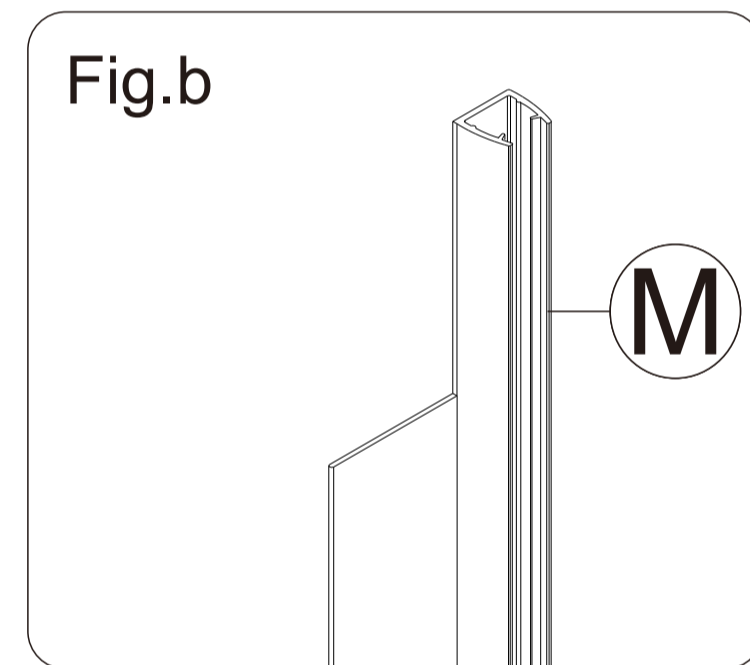
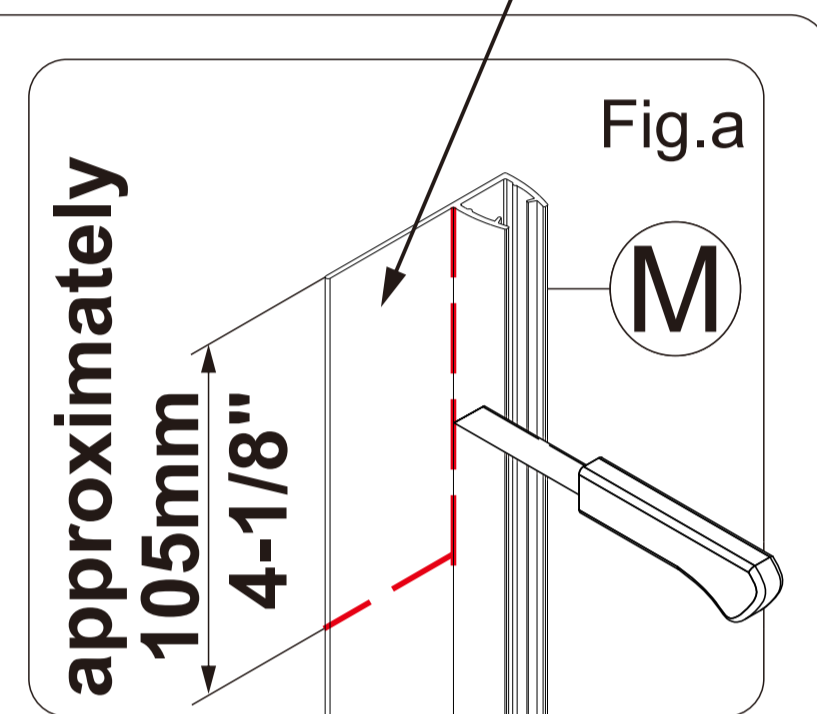
22 Install the Anti-Water Strips(M)

NOTE

1. According to the installation direction, cut the soft edge of the **Anti-Water Strips(M)** as Fig.a and Fig.b .
2. Install the **Anti-Water Strips(M)** on the **Stationary Glass(N)** as Fig.c .



Cut according to the mounting direction

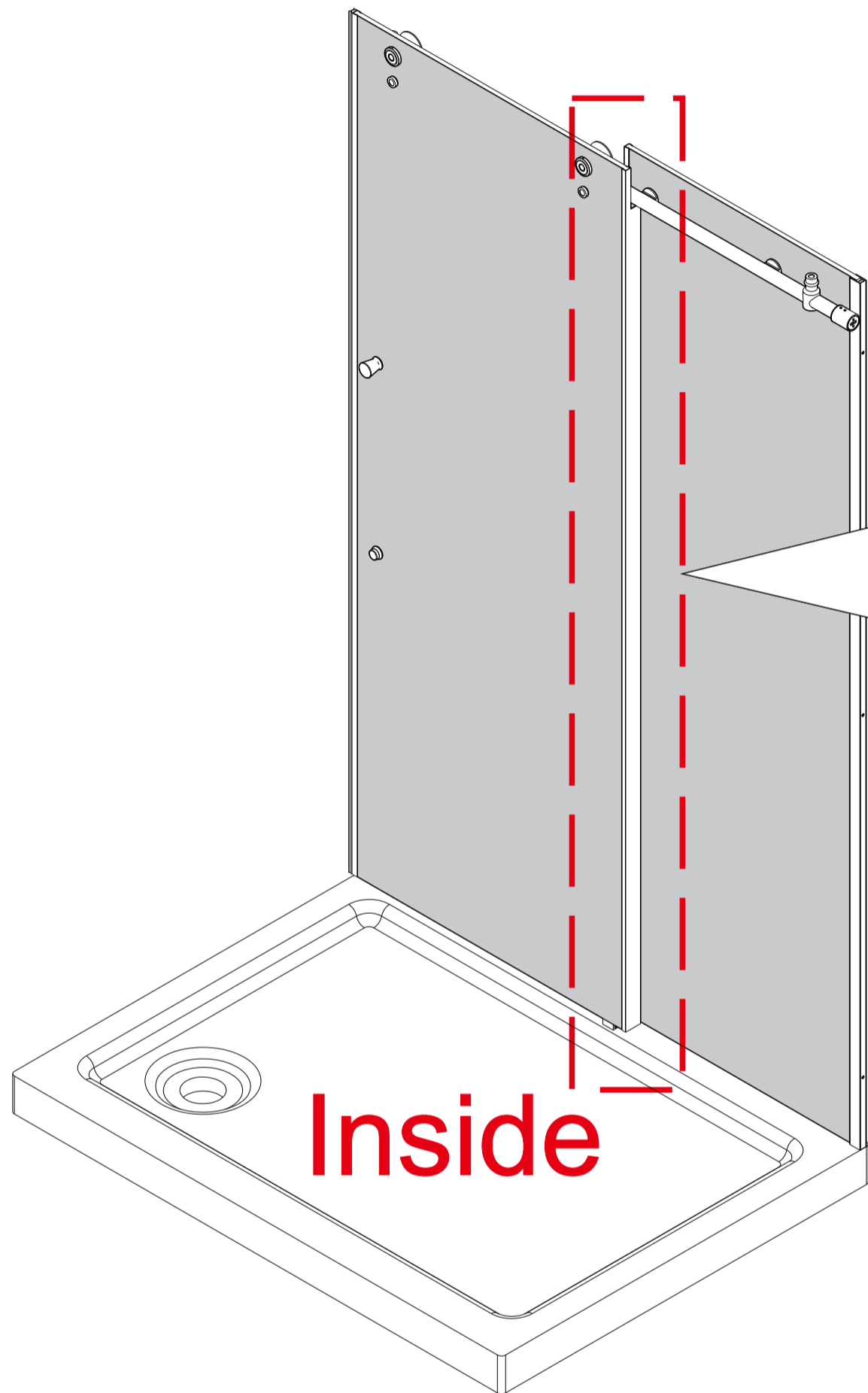


Note: The shower door can be installed left or right, according to the need to determine the installation direction.

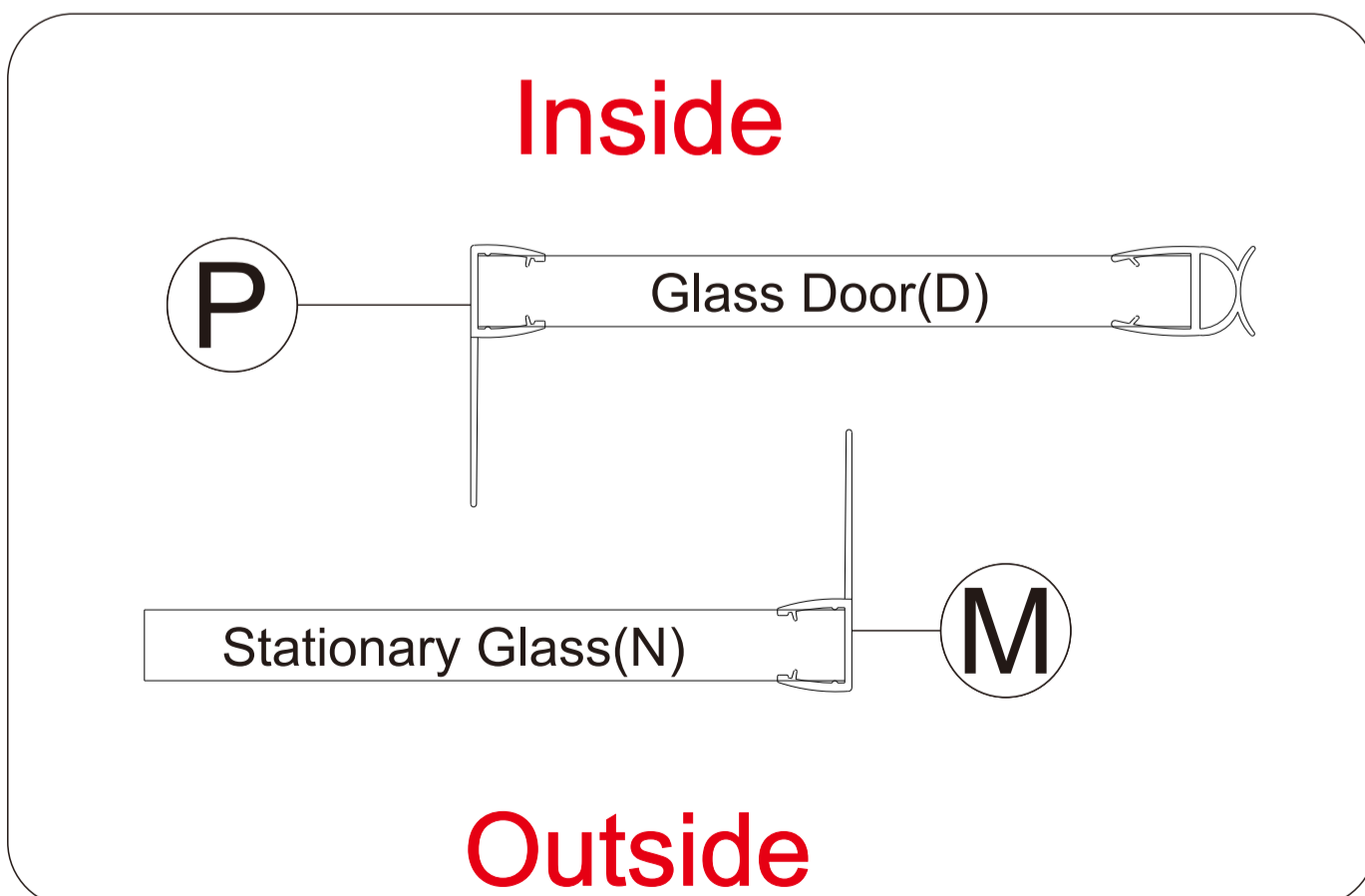
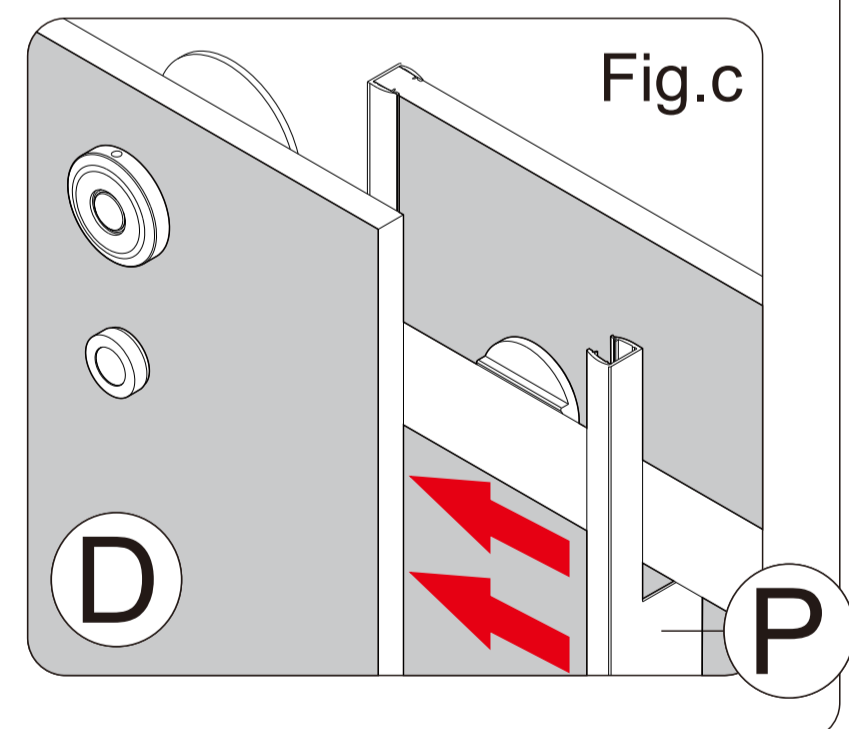
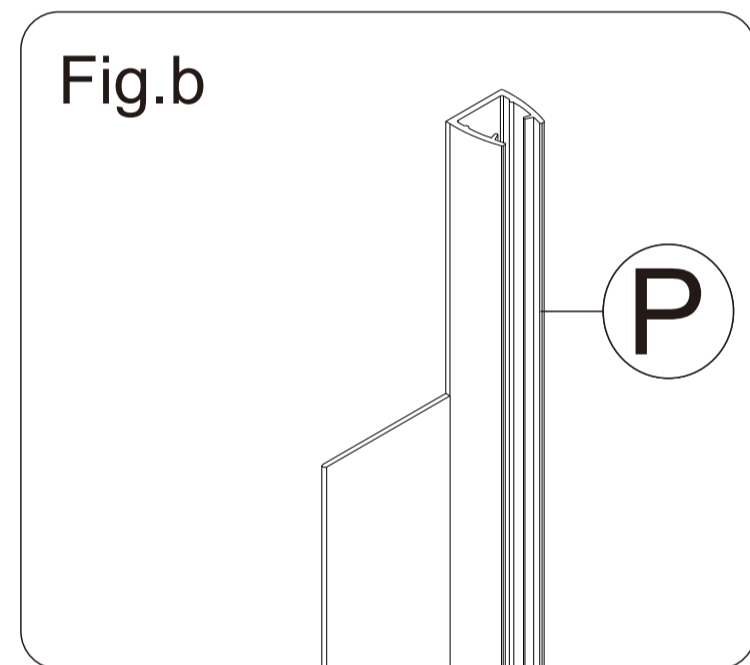
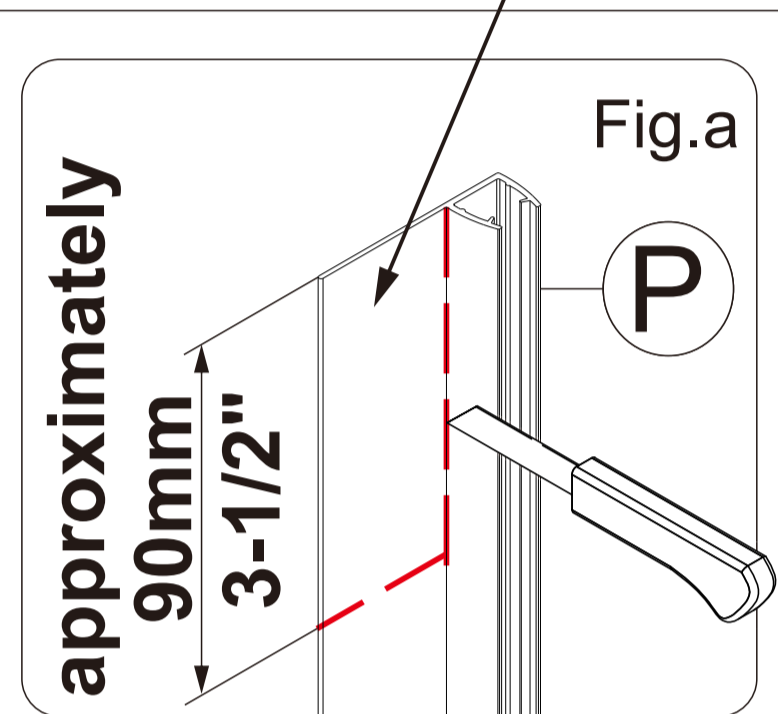
23 Install the **Anti-Water Strips(P)**

NOTE

1. According to the installation direction, cut the soft edge of the **Anti-Water Strips(P)** as Fig.a and Fig.b .
2. Install the **Anti-Water Strips(P)** on the **Glass Door(D)** as Fig.c .



Cut according to the mounting direction



Note: The shower door can be installed left or right, according to the need to determine the installation direction.

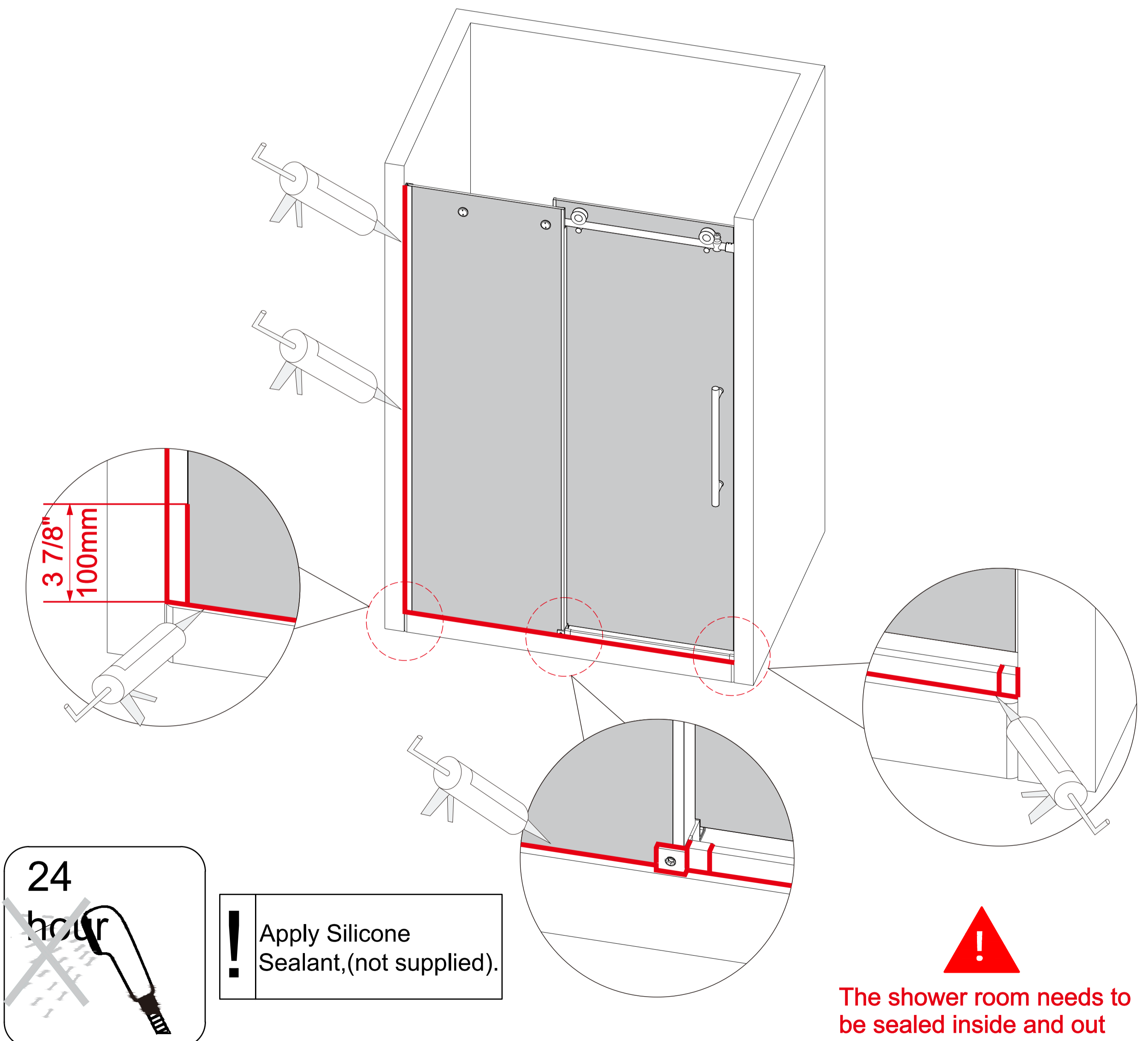
24 SEALING

NOTE The surfaces need to be clean and free of debris before applying silicone.

NOTE Make sure that the Shower door closes tightly and opens smoothly. Apply a good quality silicone sealant along the **Wall Jamb(L)** and **Alu. Threshold(B)**.



Allow 24 hours for the silicone to cure before using the shower.



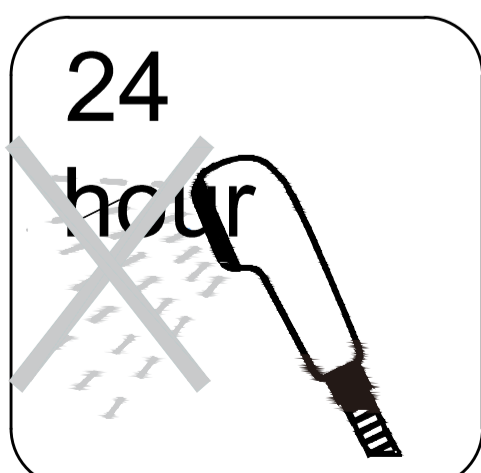
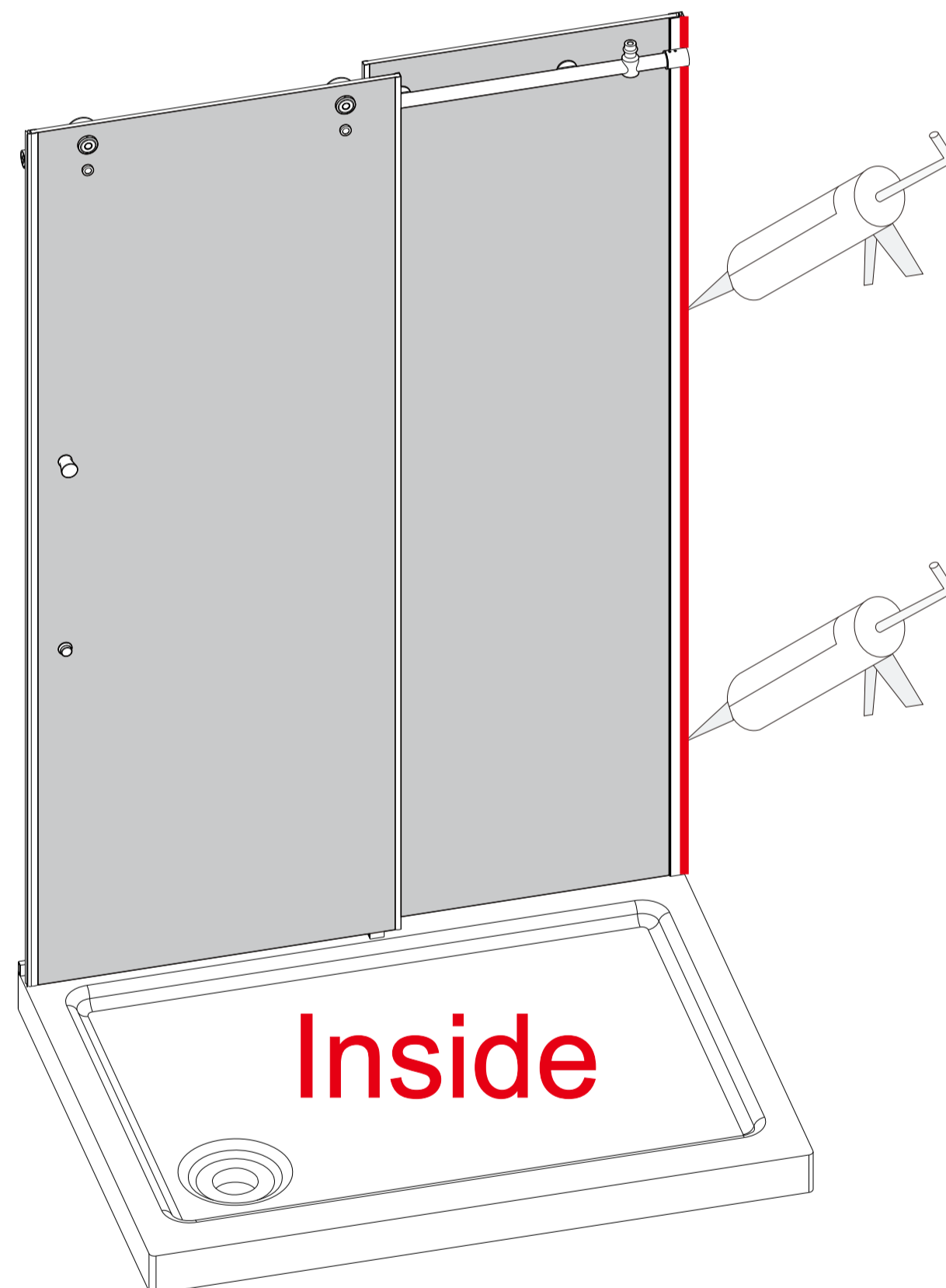
25 SEALING

NOTE The surfaces need to be clean and free of debris before applying silicone.

NOTE Make sure that the Shower door closes tightly and opens smoothly. Apply a good quality silicone sealant along the **Wall Jamb(L)**



Allow 24 hours for the silicone to cure before using the shower.

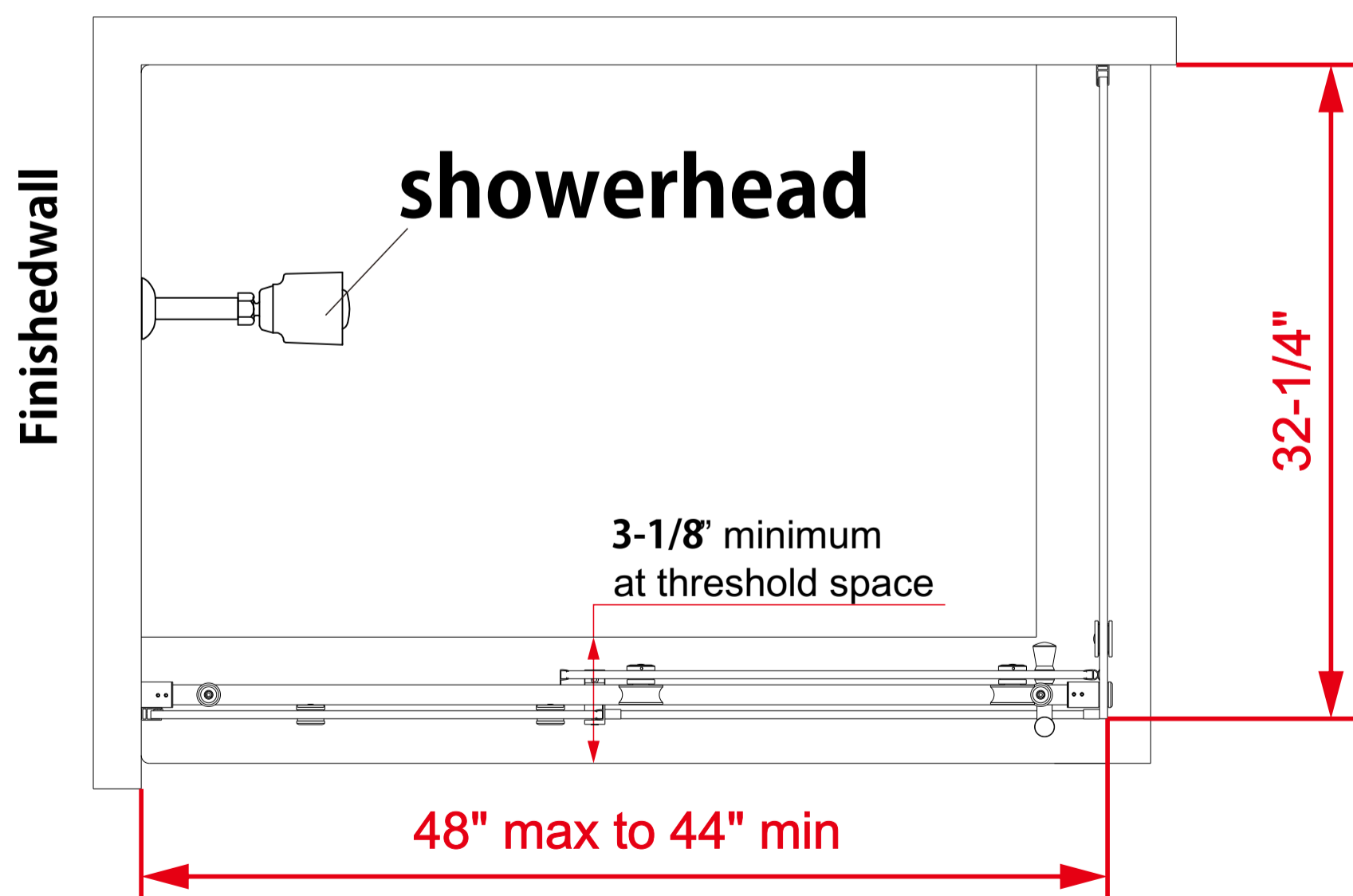
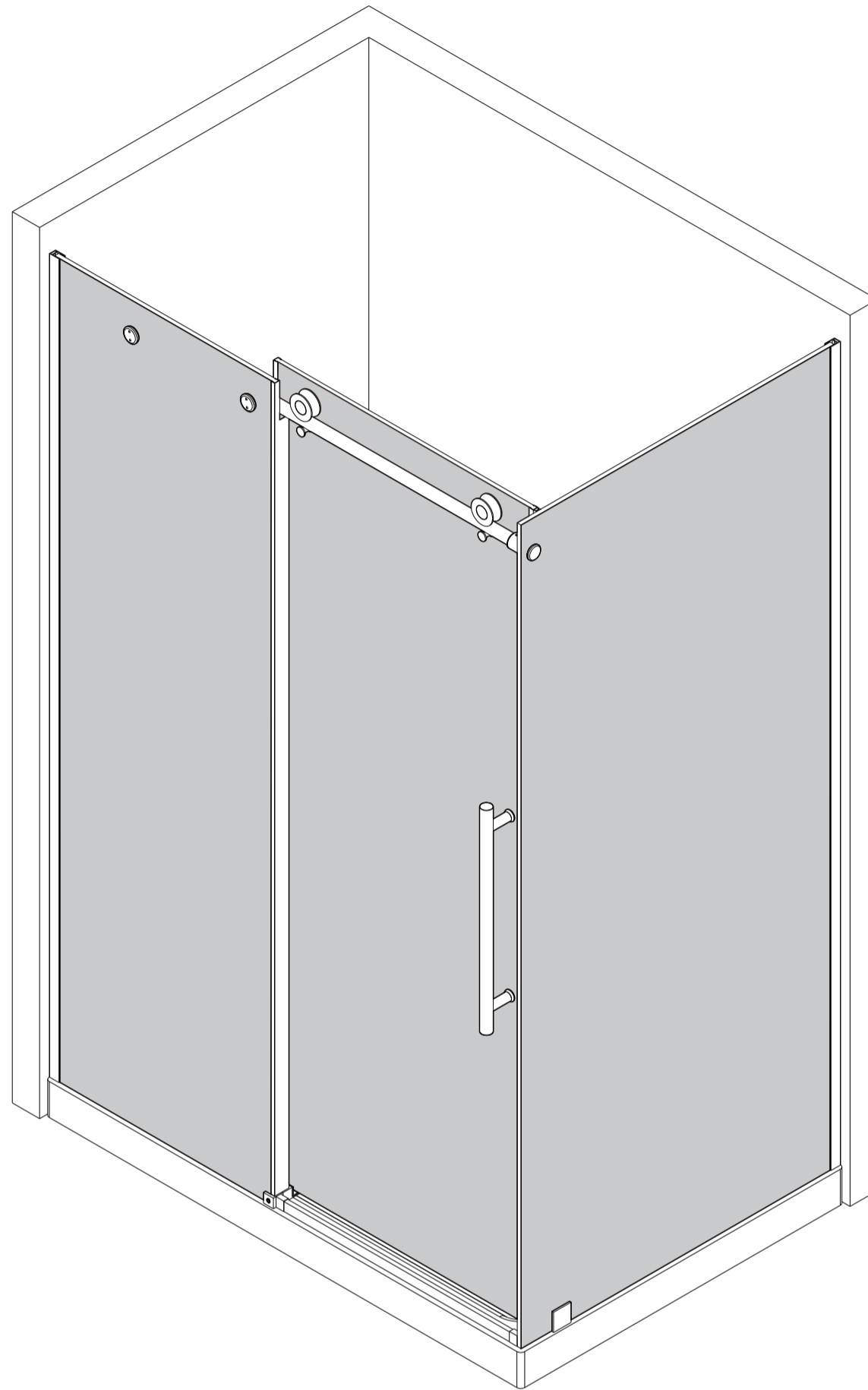


! Apply Silicone Sealant, (not supplied).



The shower room needs to be sealed inside and out

Shower Door Installation Instructions



Model Specific Preparation

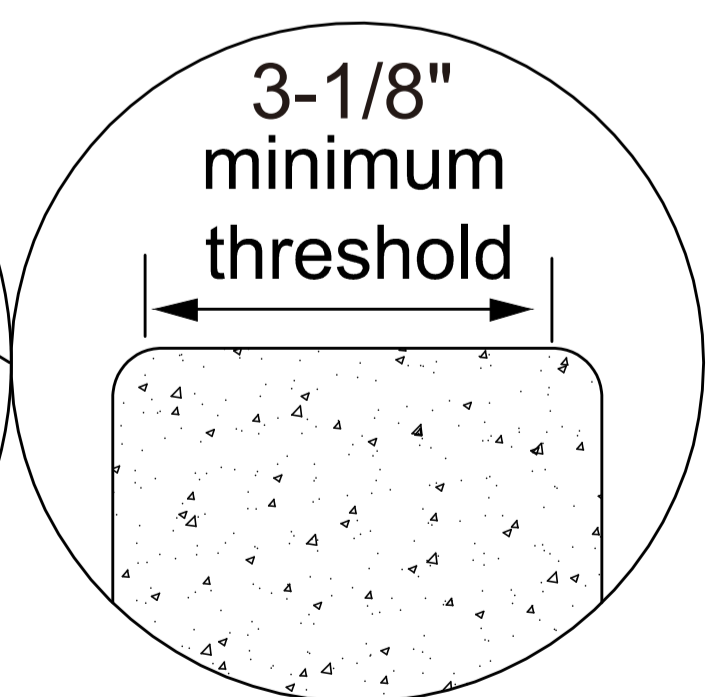
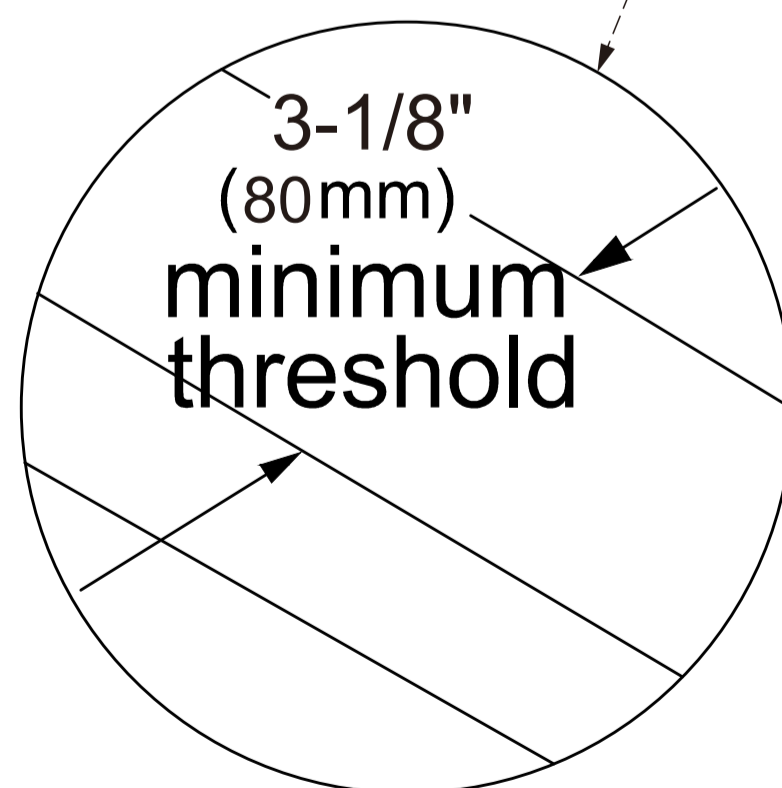
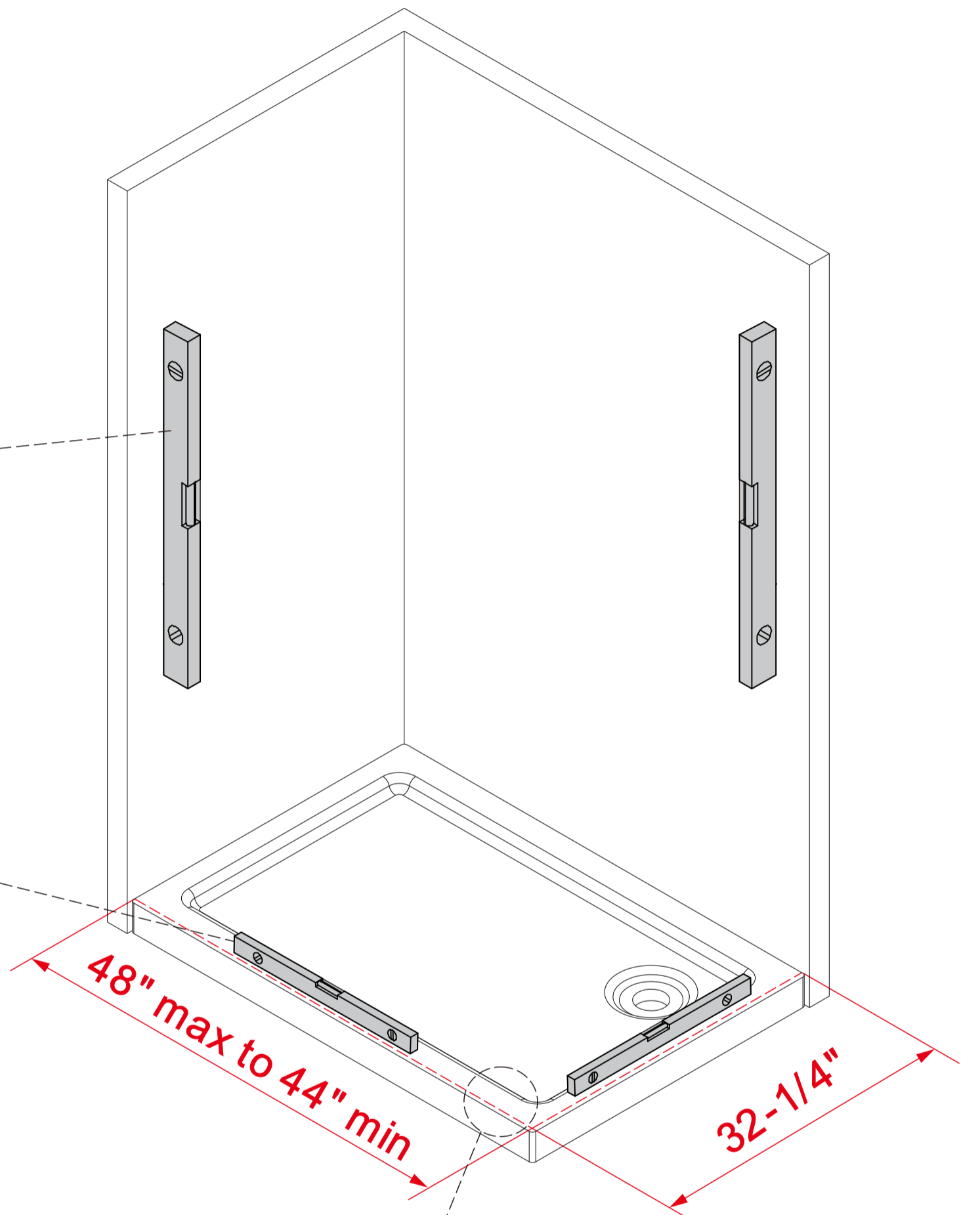
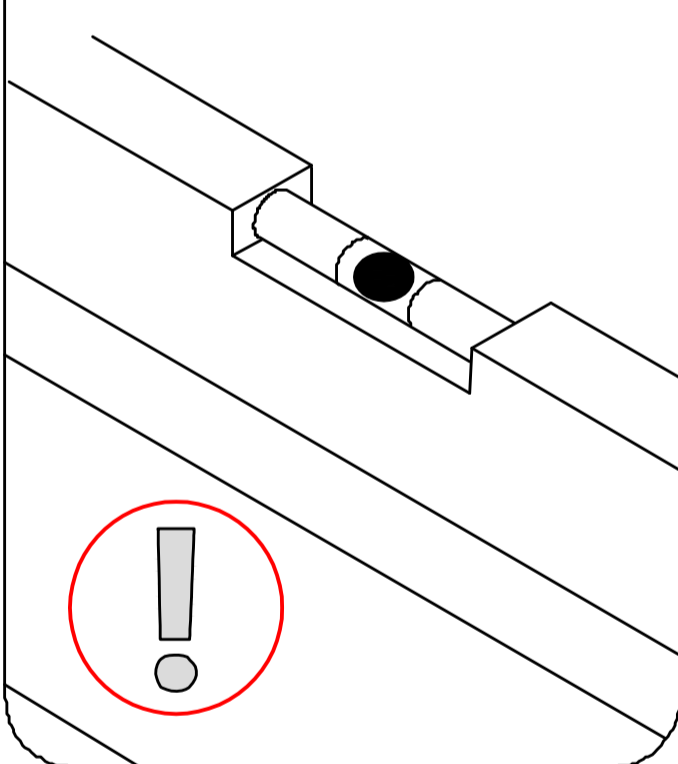


REQUIRED:

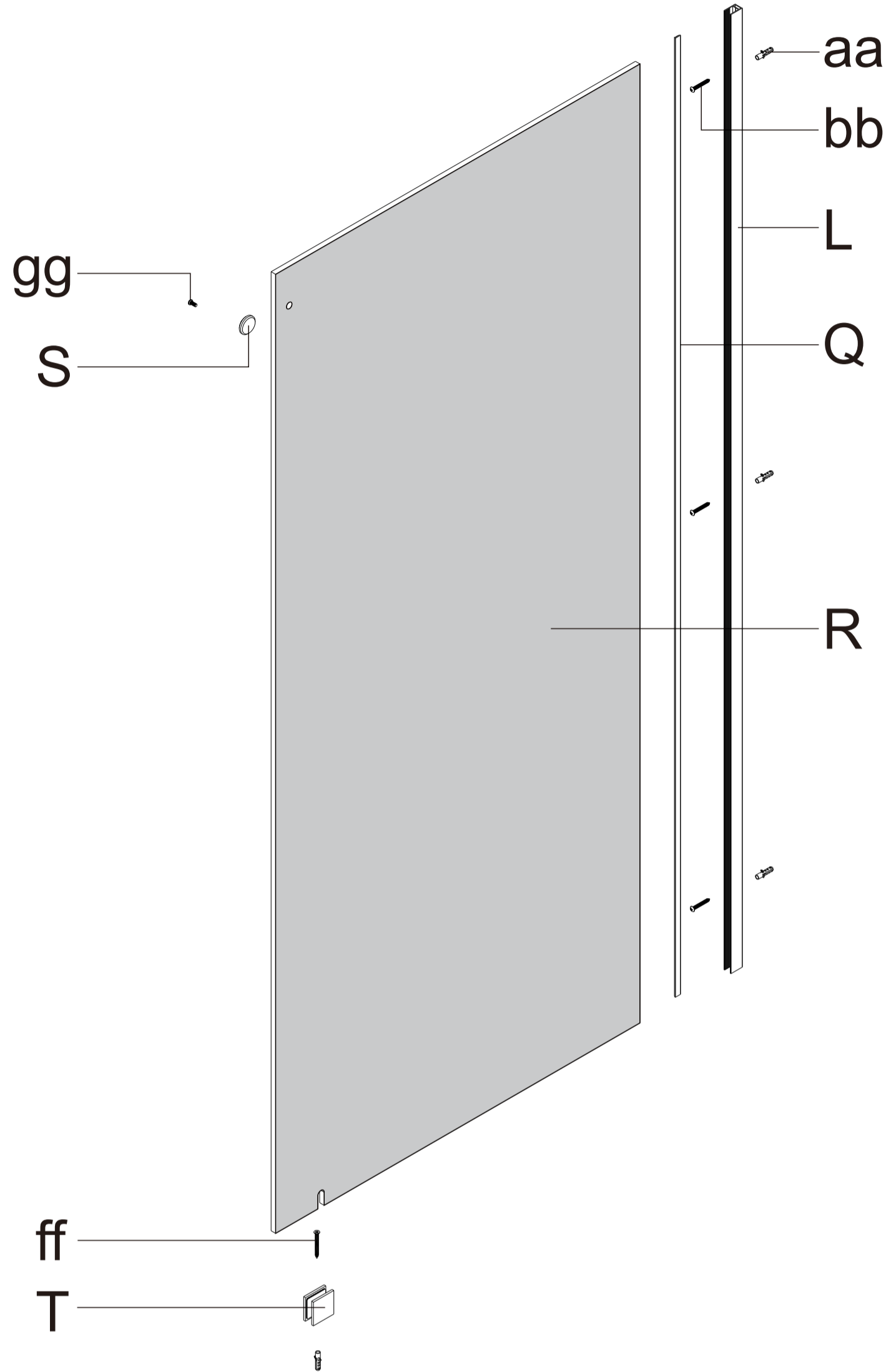
Verify tub deck and walls with a level.

1/4" (6mm)
Out-of-Plumb
Adjustment within
the Wall Profile.

Threshold must be level



PACKAGE CONTENT



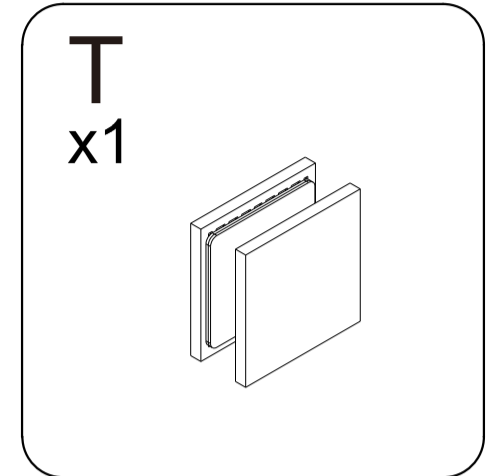
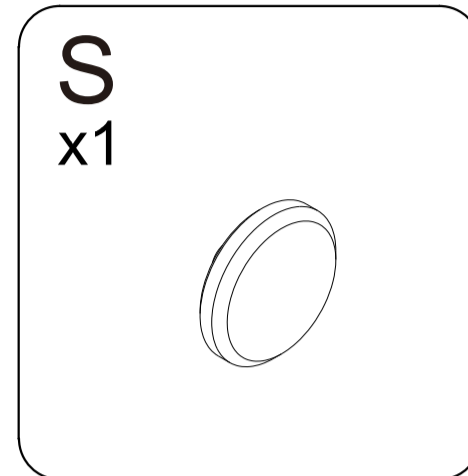
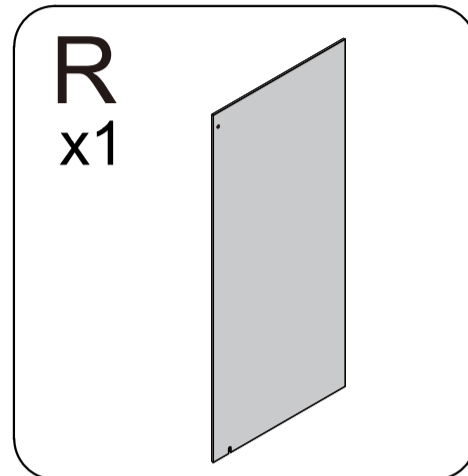
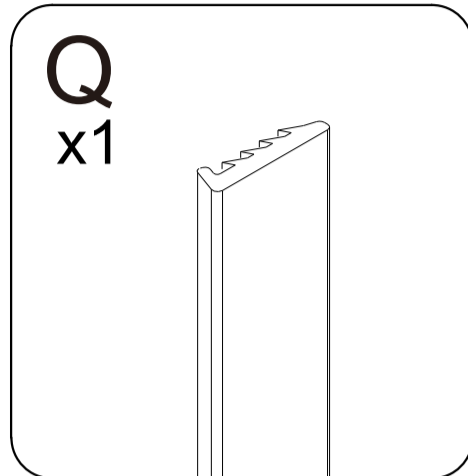
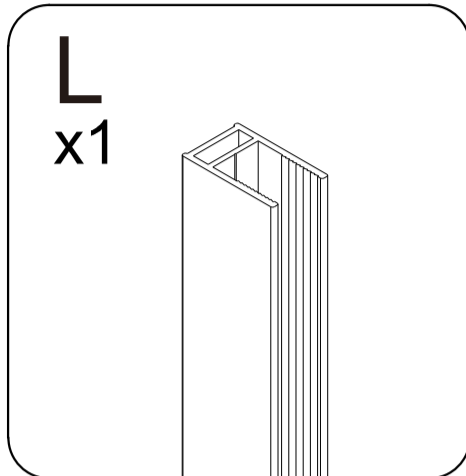
PACKAGE CONTENT

PART#	DESCRIPTION	QTY
L	Wall Jamb	1
Q	Wedge Seal	1
R	Return panel glass	1
S	Bumper Strip	1
T	Bottom Bracket	1

NOTE

Inspect all parts for missing prior to installation!
Contact us for any part missing.

PACKAGE CONTENT



HARDWARE CONTENT

<p>aa</p> <p>Wall anchor Φ6X30mm 6 PCS</p>	<p>bb</p> <p>Metric screw ST4X30mm 4 PCS</p>	<p>ff</p> <p>Metric Screw ST4X30mm 2 pcs</p>	<p>gg</p> <p>Metric Screw M5X10mm 1 pcs</p>
---	---	---	--

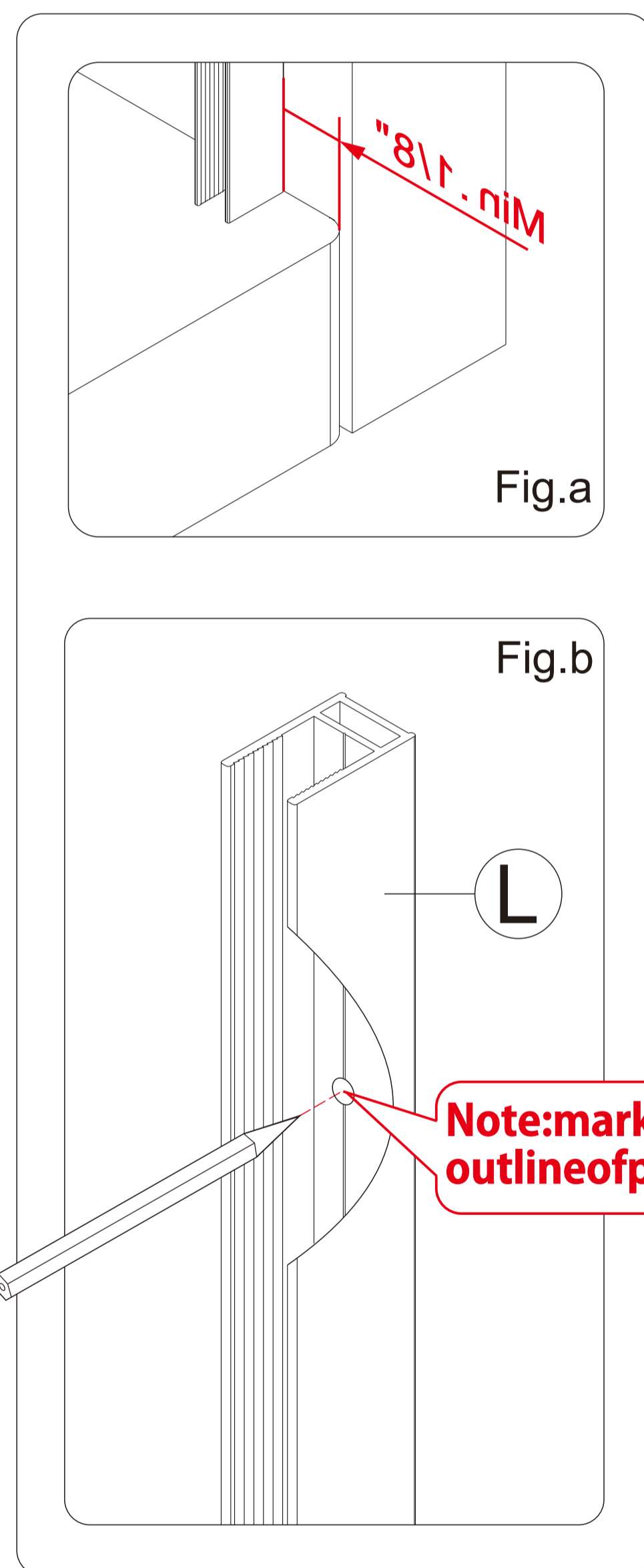
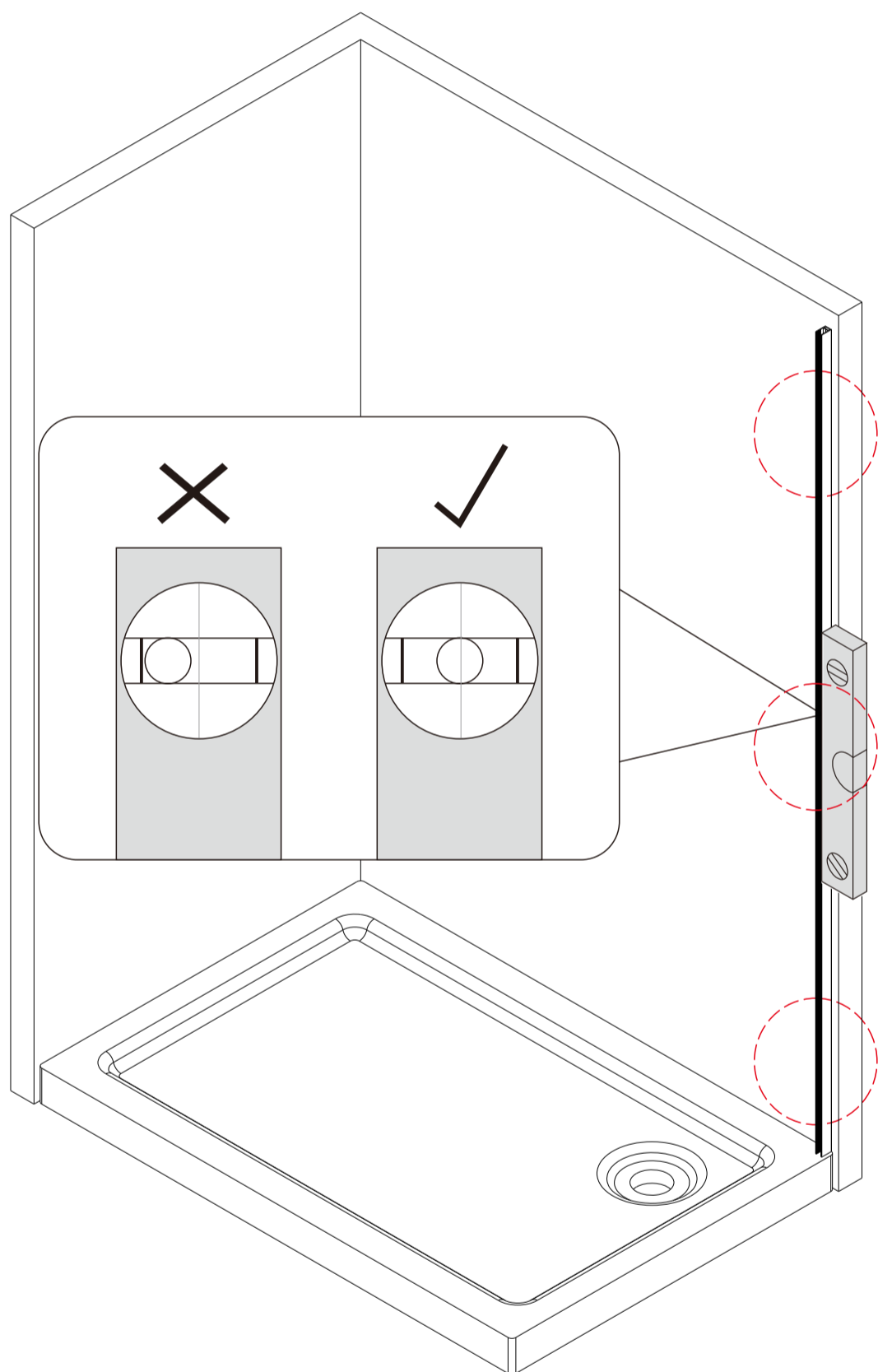
Additional spare parts are included.

NOTE Inspect all parts for missing prior to installation!
Contact us for any part missing.

1 Determine your step in from the edge of tray and plumb your **Wall Jamb(L)**.

NOTE

1. Determine your starting point from the edge of tray (1/8" is recommended) and mark the position as Fig.a .
2. Plumb your **Wall Jamb(L)** on each side and then mark screw holes position as Fig.b .

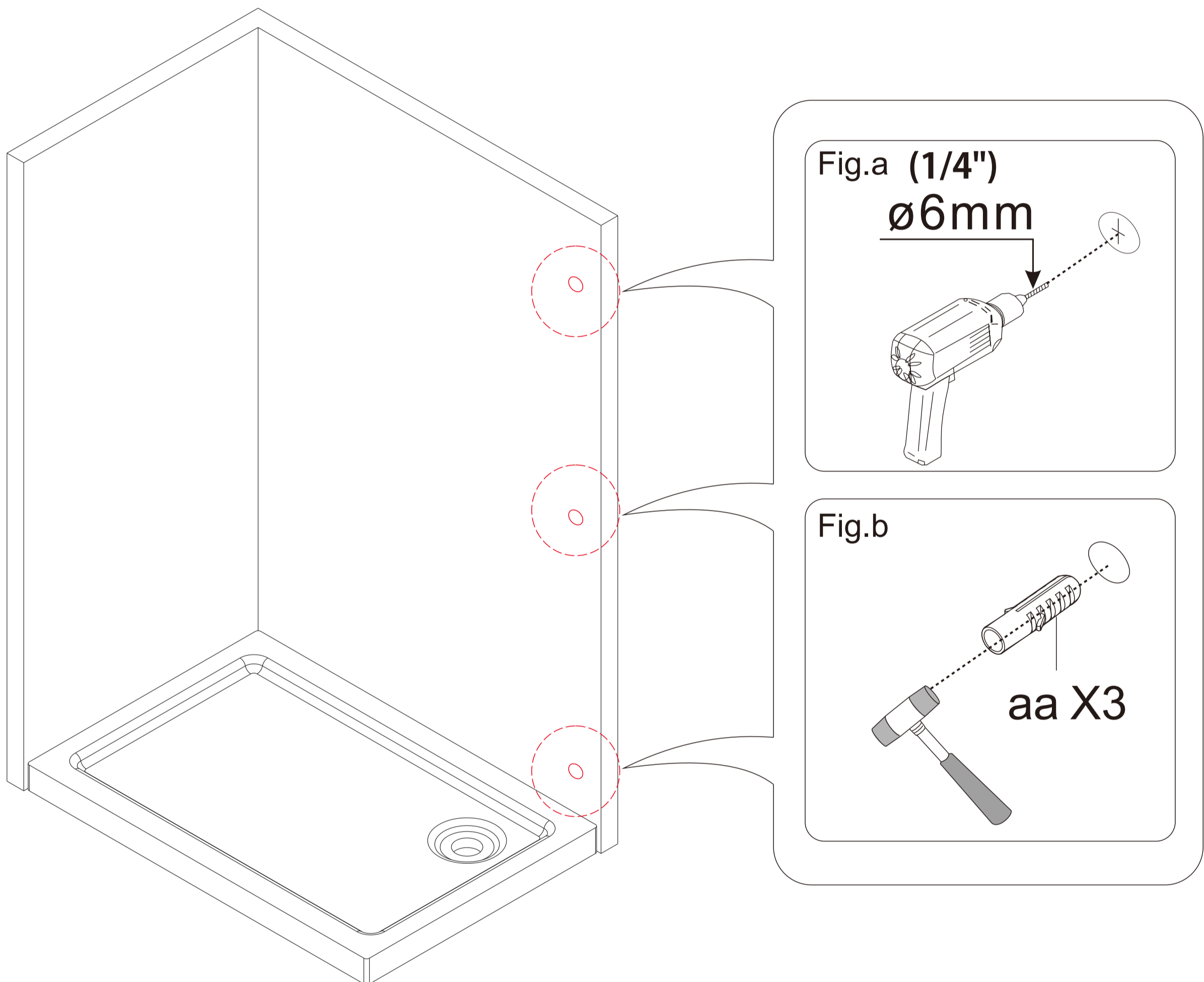


Note: The shower door can be installed left or right, according to the need to determine the installation direction.

2 Install **Wall Anchor(aa)**

NOTE

1. Drill holes with $\phi 6\text{mm}(1/4\text{'})$ drill bit as Fig.a .
2. Insert **Wall Anchors(aa)** as Fig.b .



NOTE

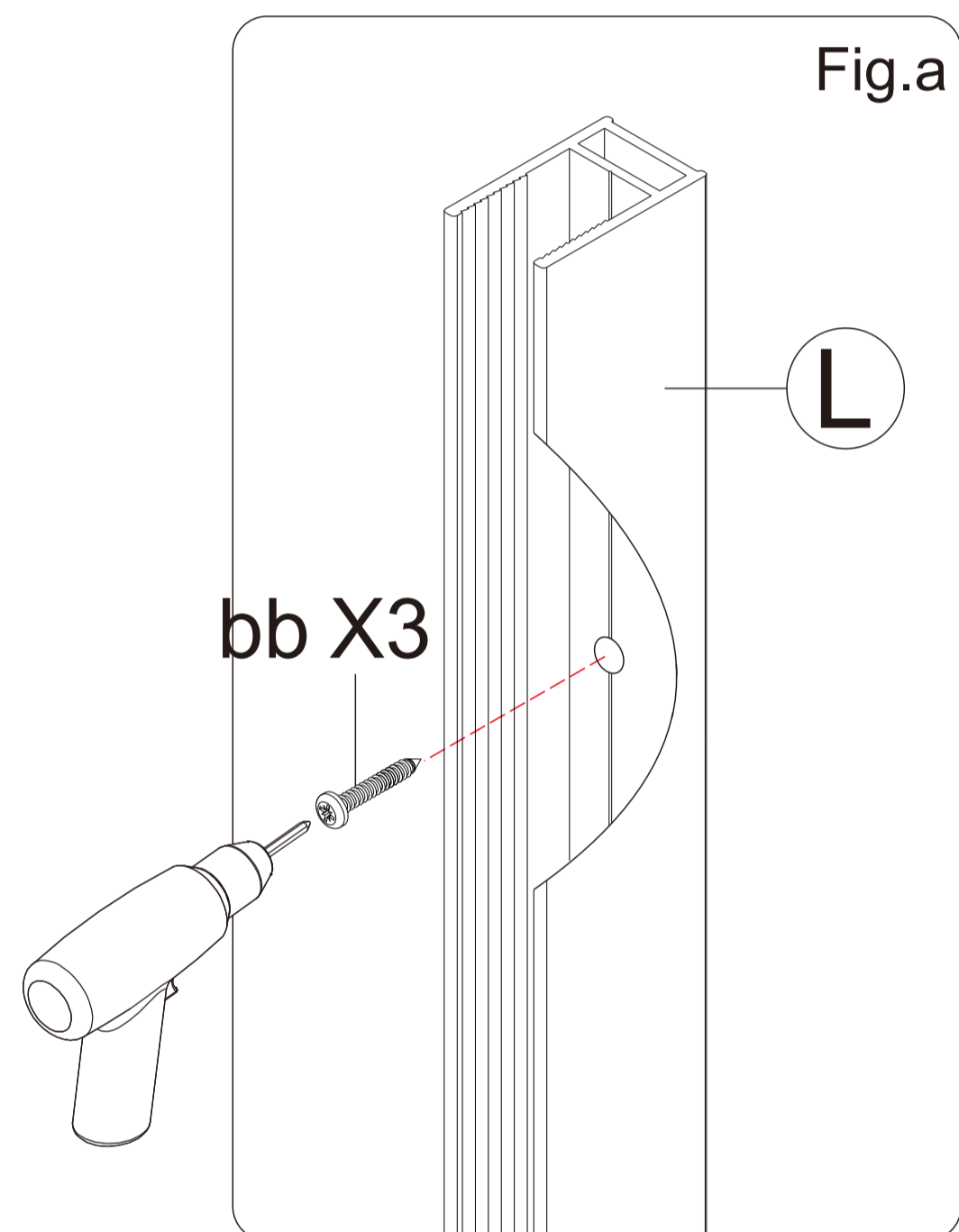
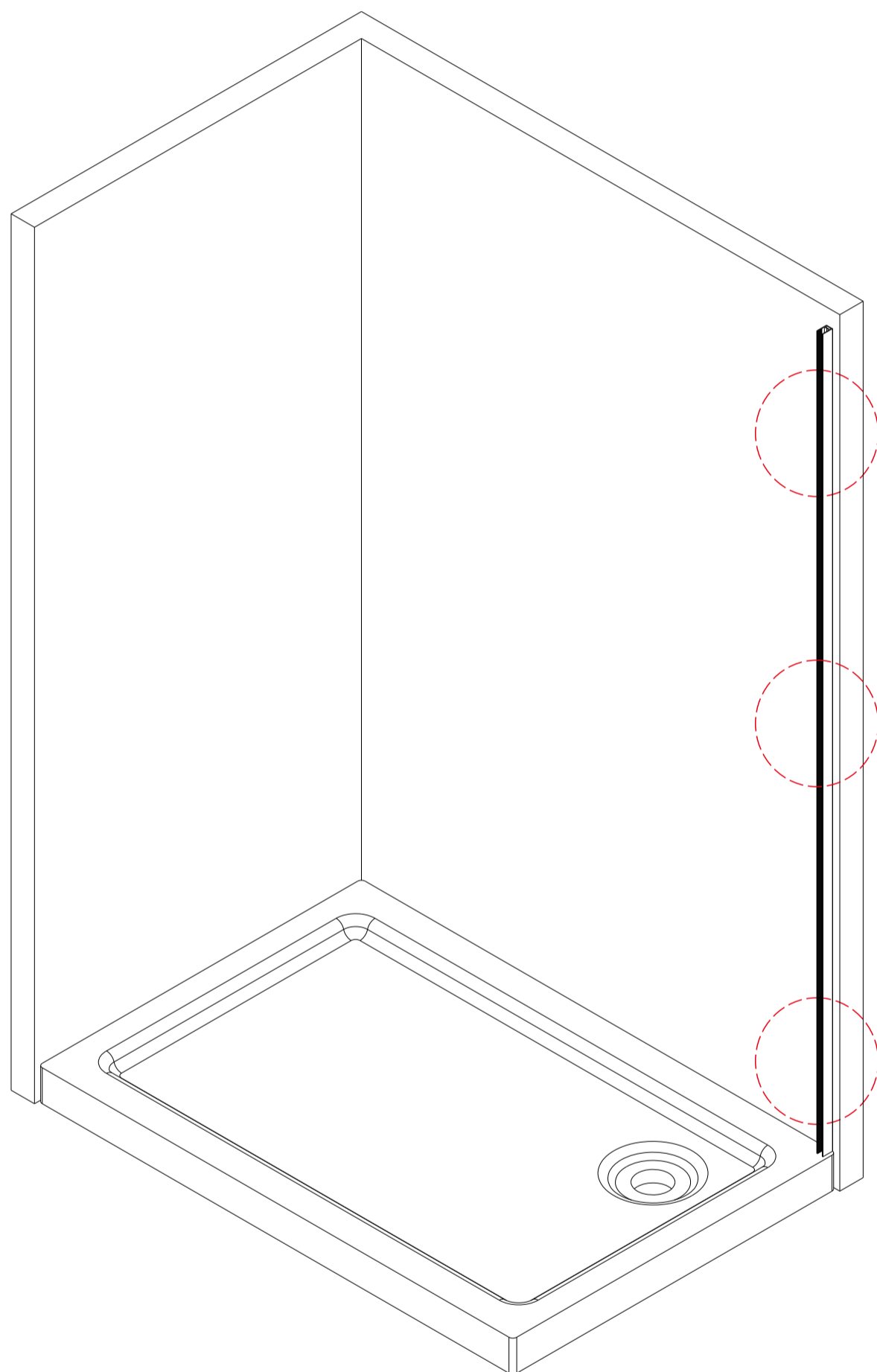
- If a Stud is present behind the wall:
drill $\phi 1/8\text{'}$ (3mm) pilot holes into the stud and use the ST4.0x30mm **Screws(bb)**
OR
- If NO Stud is present behind the wall:
drill $\phi 1/4\text{'}$ (6mm) holes and insert the **Wall Anchors(aa)**
and use the ST4.0x30mm **Screws(bb)**.



Note: The shower door can be installed left or right, according to the need to determine the installation direction.

3 Install Wall Jamb(L)

NOTE 1. Fix Wall Jambs(L) with Screw(bb) as Fig.a .





Note: The shower door can be installed left or right, according to the need to determine the installation direction.

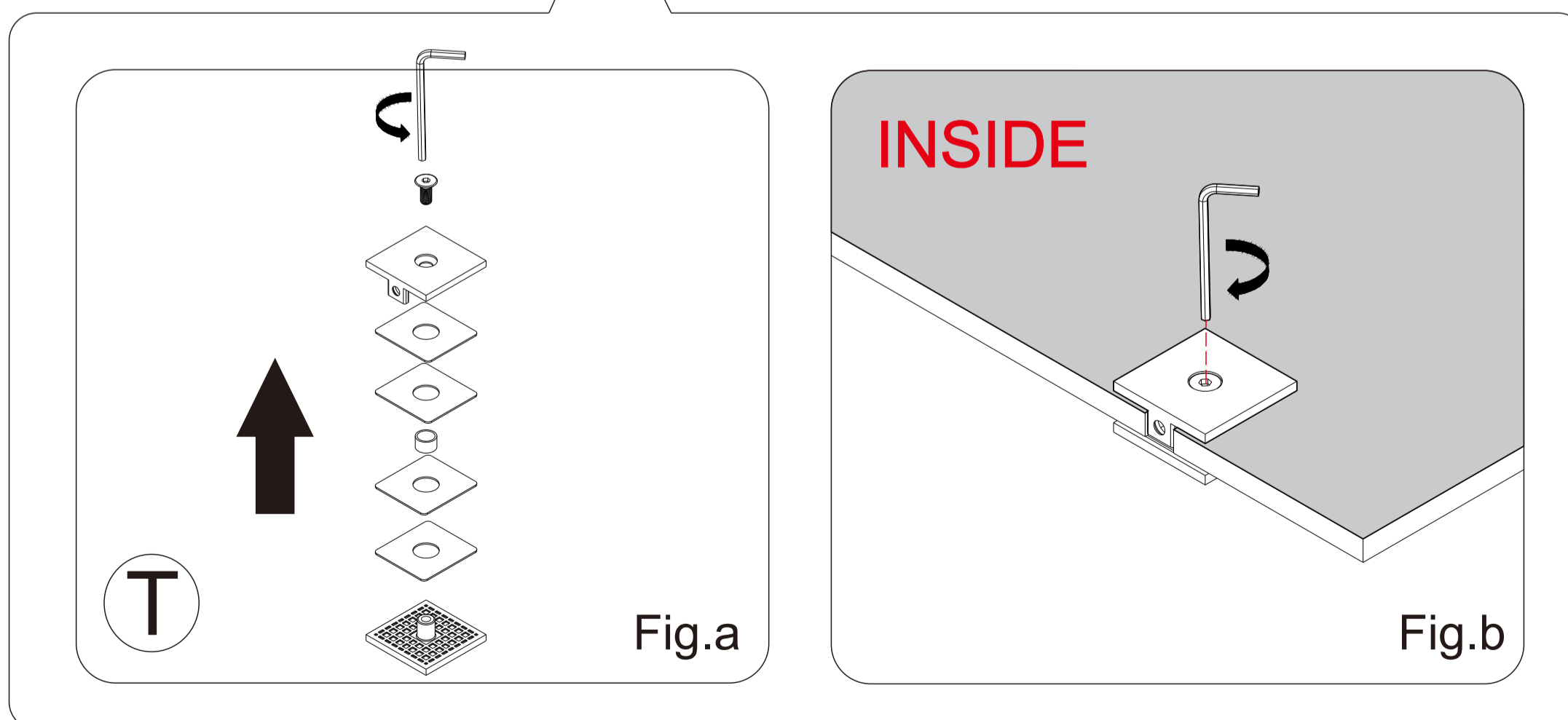
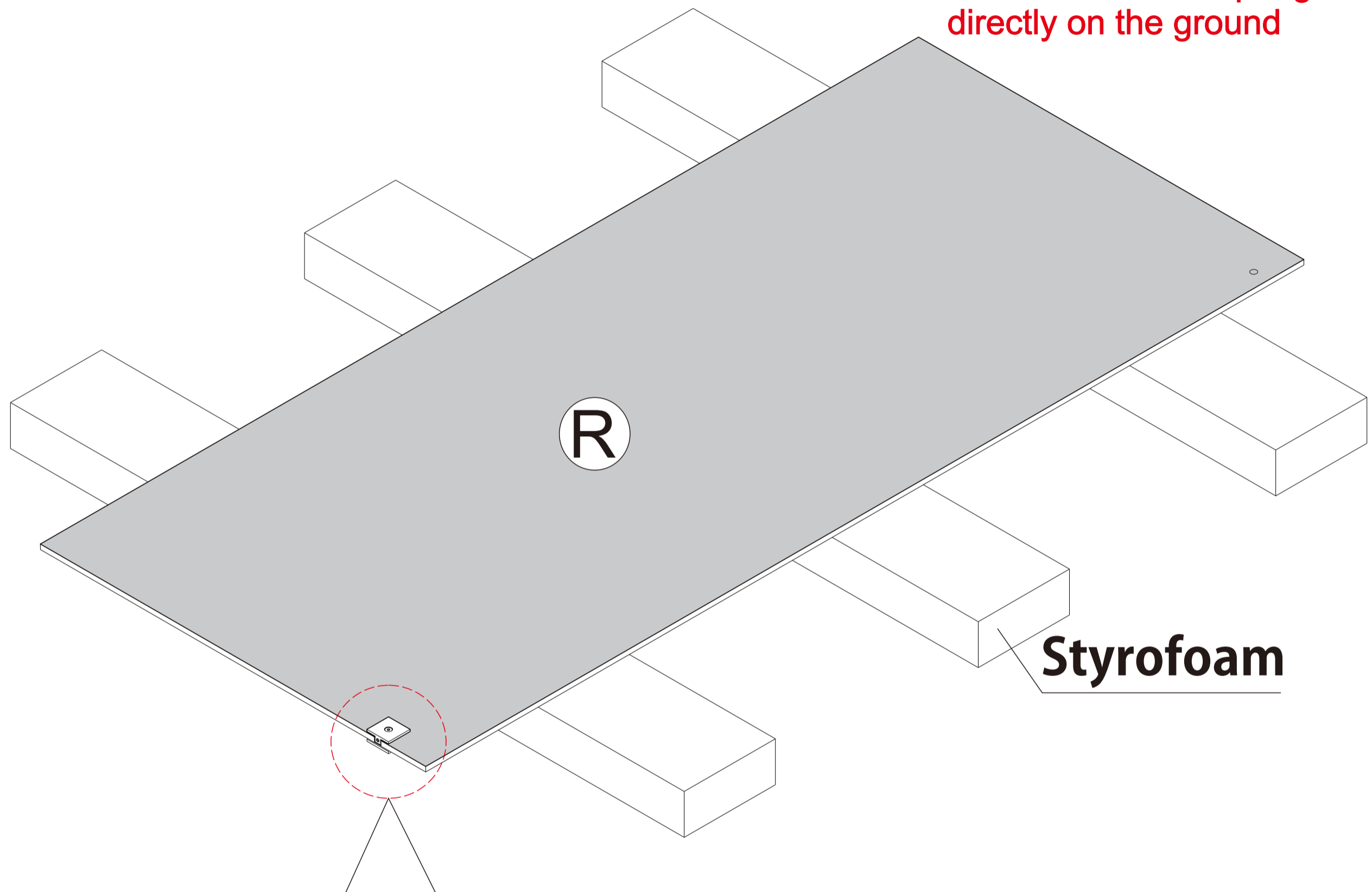
4-1 Install Bottom Bracket(T)

NOTE

1. Install the **Bottom Bracket(T)** to the **Return panel glass(R)** as Fig.a and Fig.b .
2. Note: Make sure the gasket is installed


Note: The shower door can be installed left or right, according to the need to determine the installation direction.

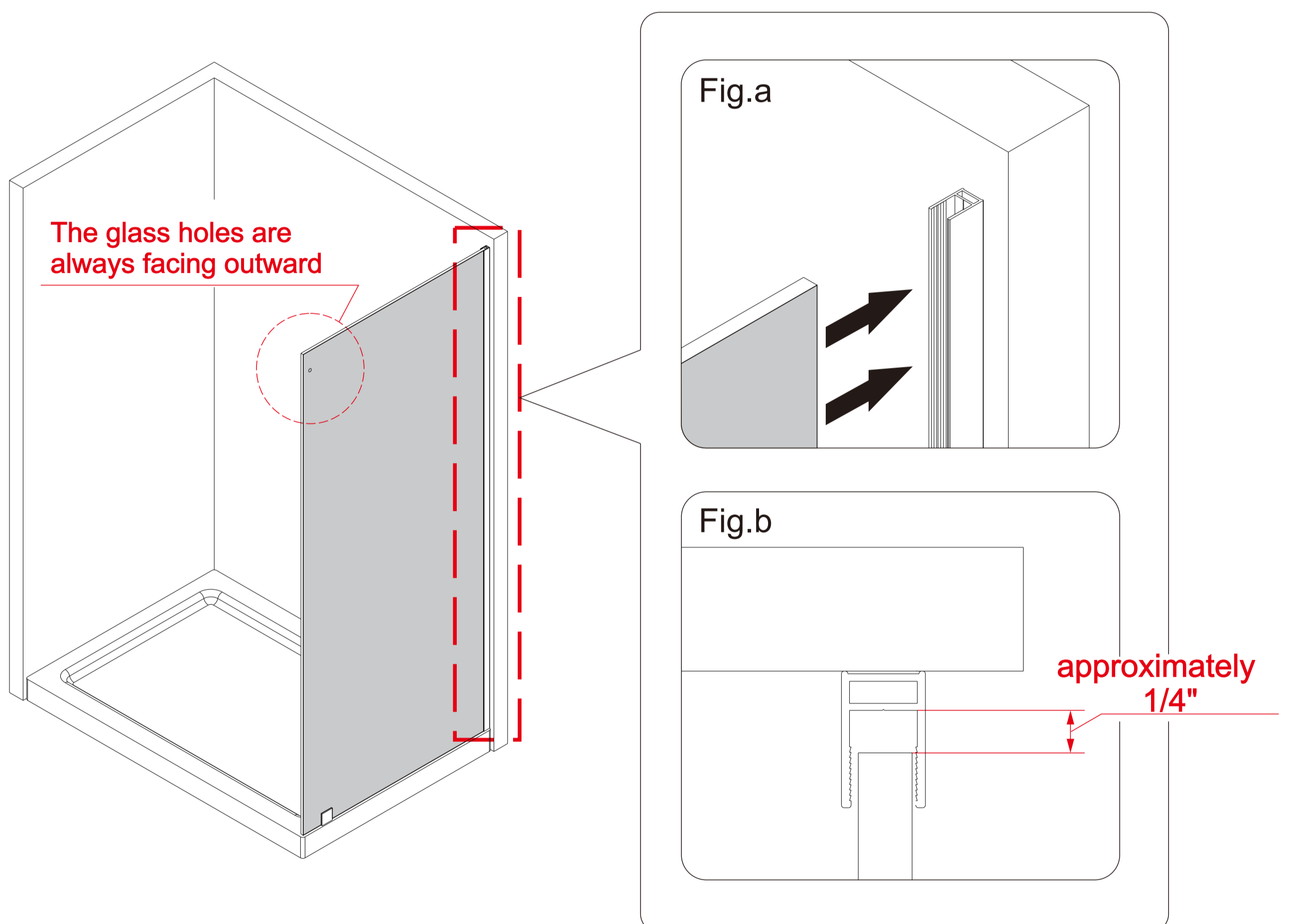

CAUTION: Do not put glass directly on the ground



4-2 Install Bottom Bracket(T)

NOTE

1. Install the **Return panel glass(R)** into the **Wall Jamb(L)** as Fig.a .
2. Leave 1/4" gap between **Return panel glass(R)** and **Wall Jamb(L)** as Fig.b .

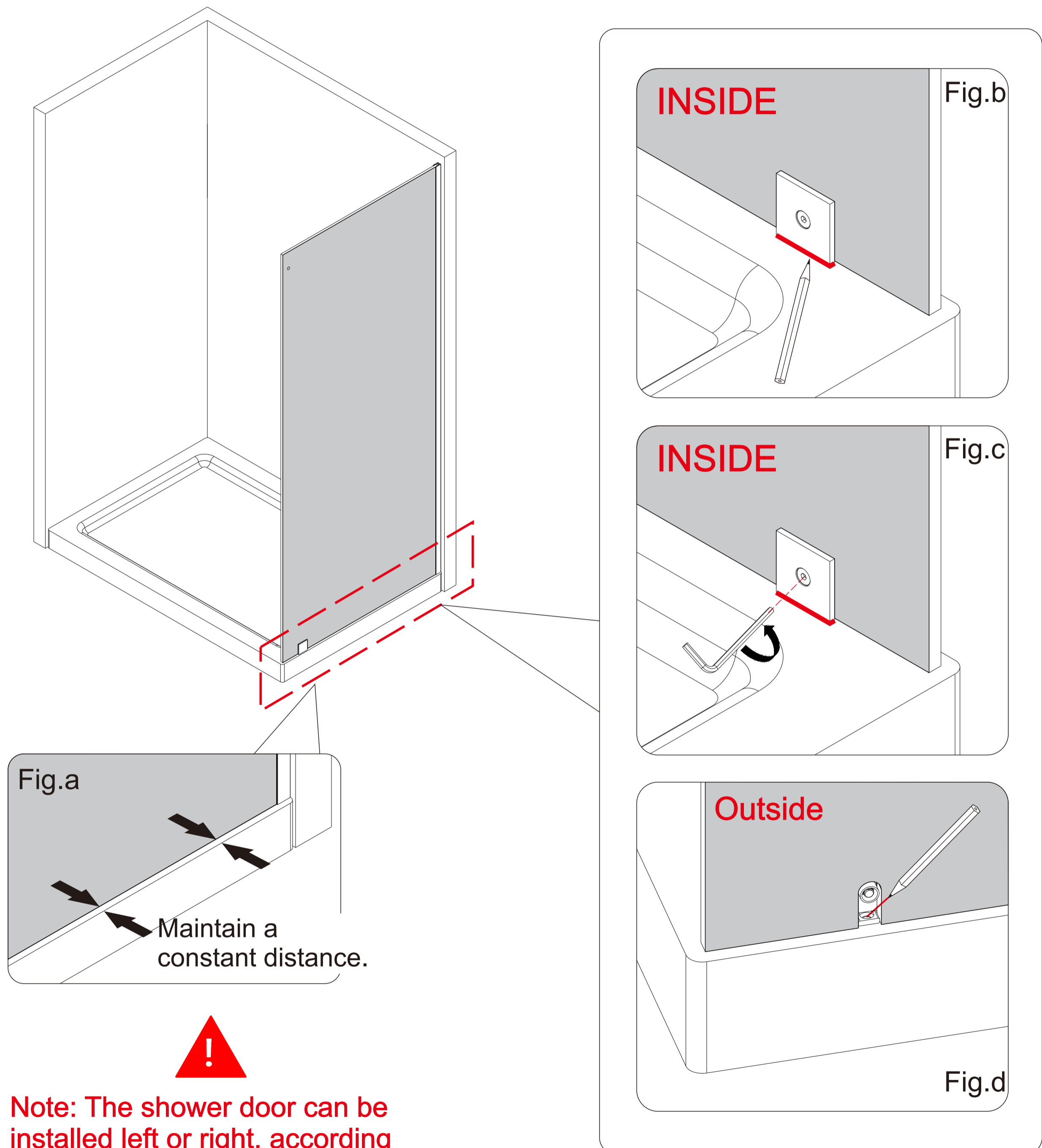


Note: The shower door can be installed left or right, according to the need to determine the installation direction.

4-3 Install **Bottom Bracket(T)**

NOTE

1. Keep the **Return panel glass(R)** parallel
2. Mark the location with a pencil as Fig.b .
3. Use a hex wrench to loosen the **Bottom Bracket (T)** as Fig.c .
4. Use a pencil to mark the **Bottom Bracket (T)** holes as Fig.d .

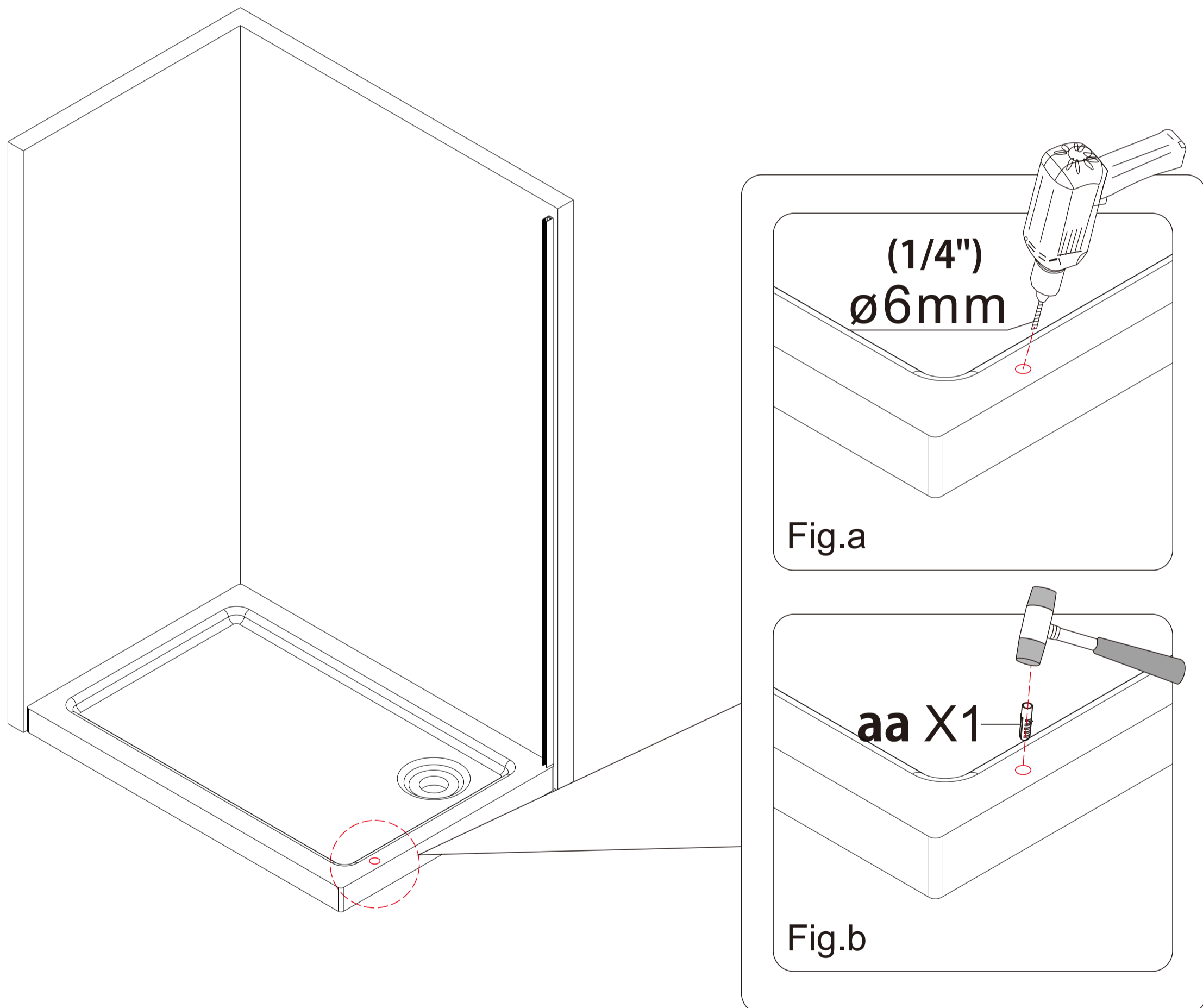


Note: The shower door can be installed left or right, according to the need to determine the installation direction.

4-4 Install **Bottom Bracket(T)**

NOTE

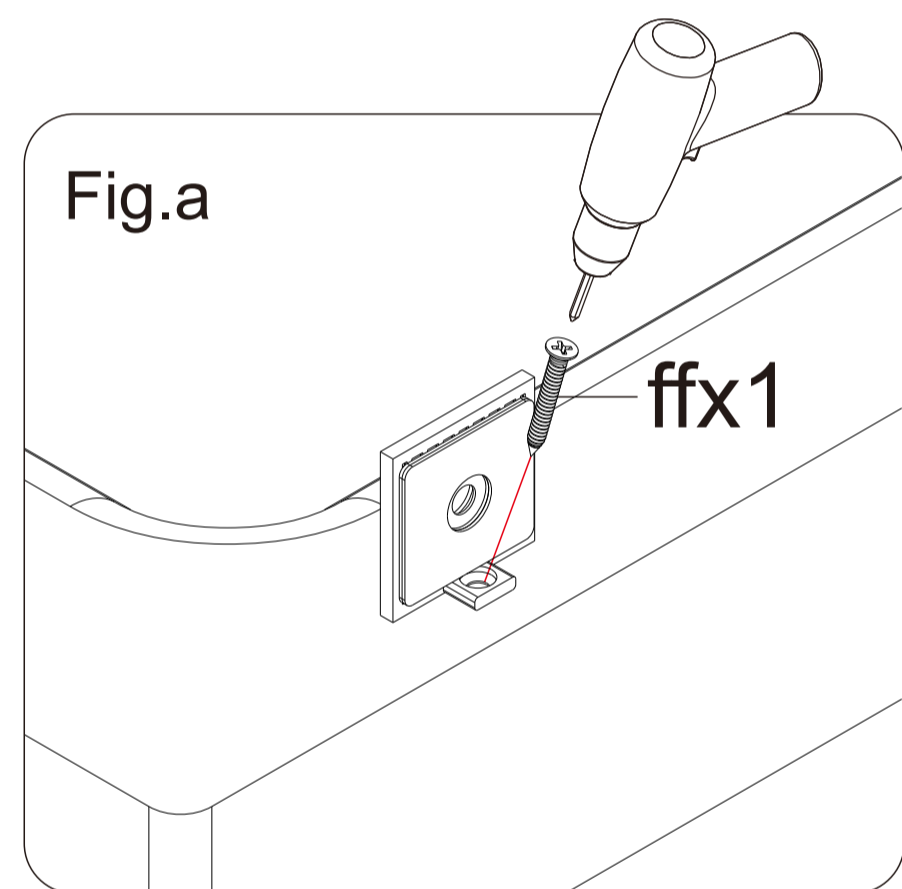
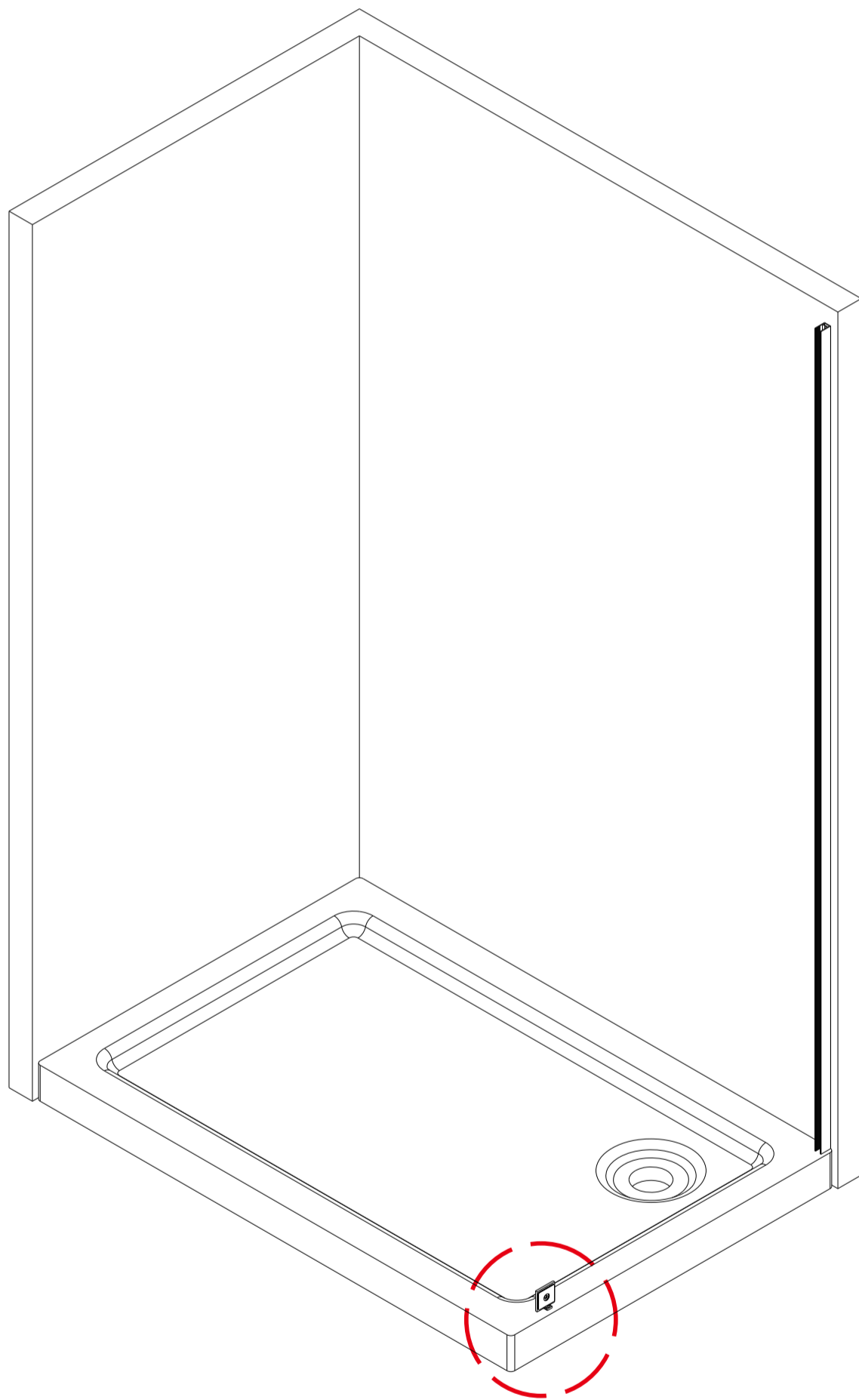
- 1.Remove the **Return panel glass(R)**
- 2.Drill holes with $\phi 6\text{mm}(1/4\text{'})$ drill bit as Fig.a .
- 3.Insert **Wall Anchors(aa)** as Fig.b .



Note: The shower door can be installed left or right, according to the need to determine the installation direction.

4-4 Install **Bottom Bracket(T)**

NOTE 1. Secure the **Bottom Bracket(T)** with screws (ff) as Fig.a .

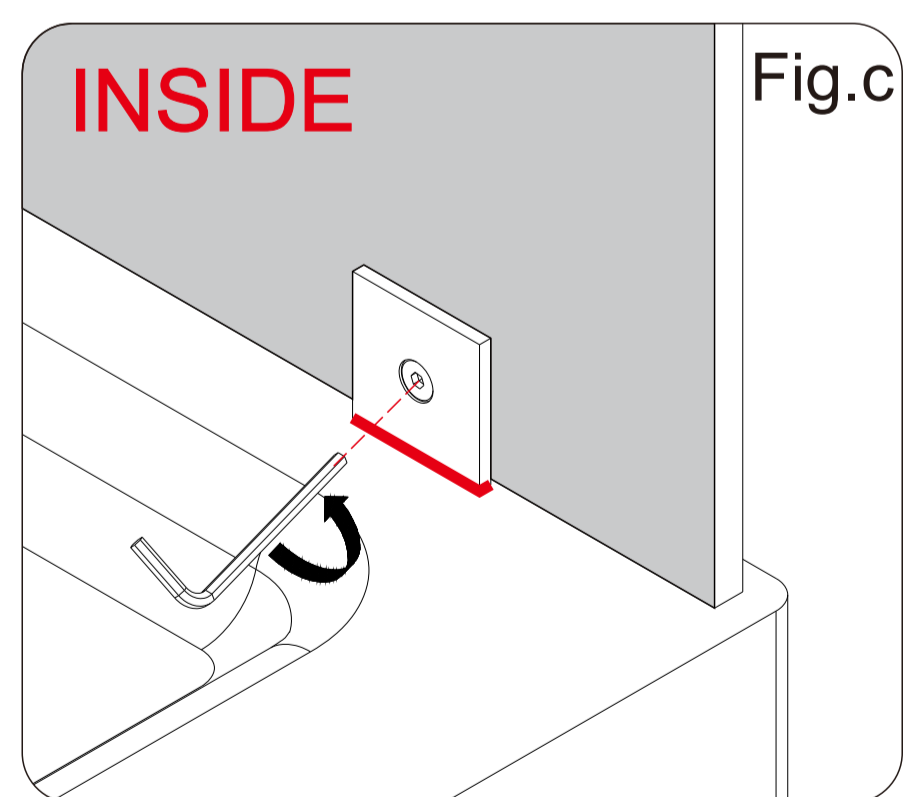
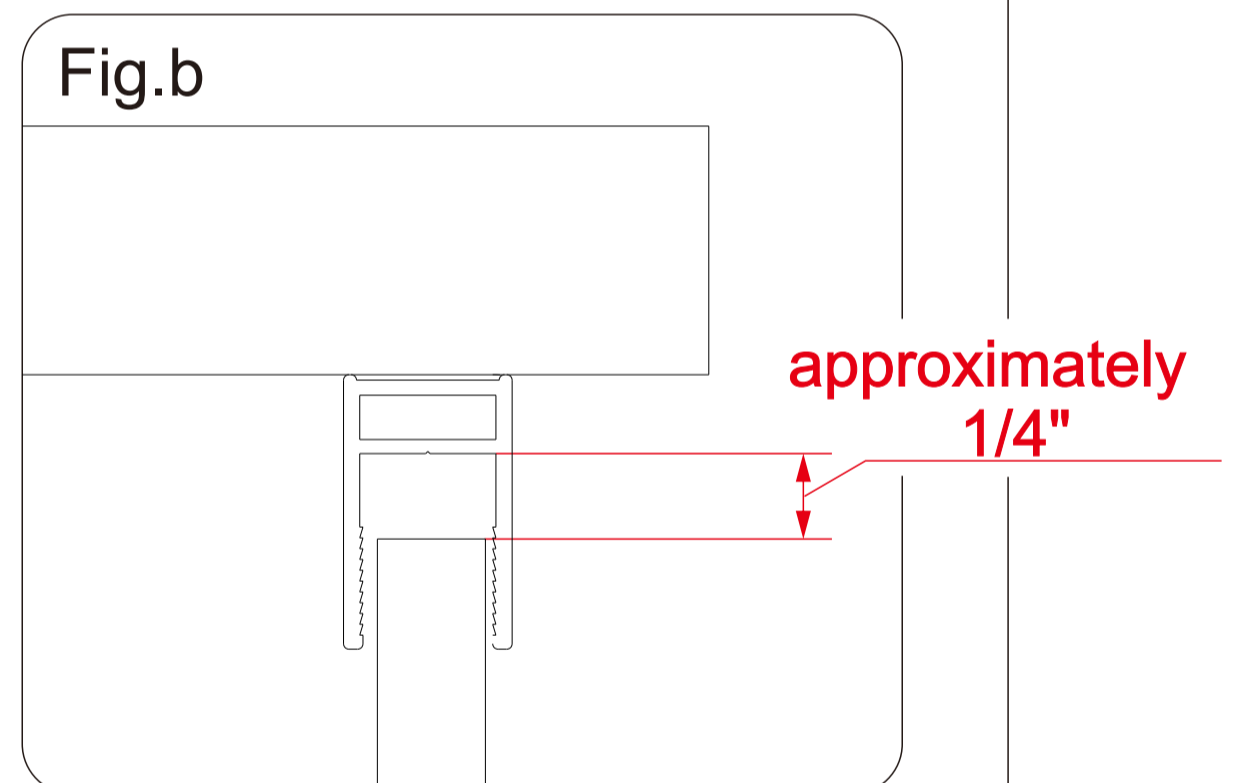
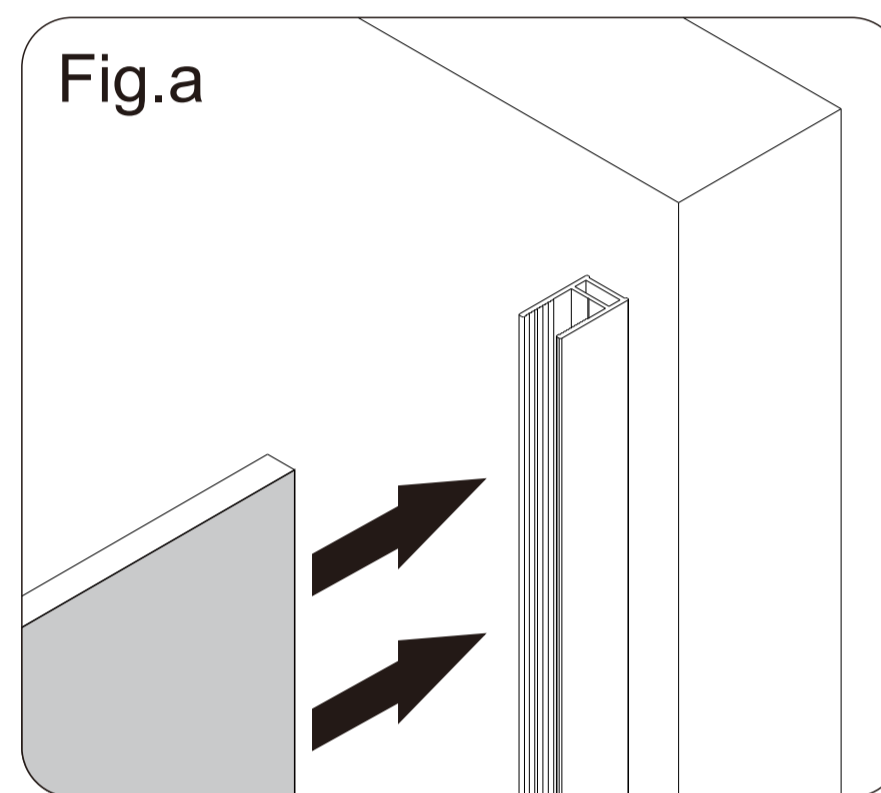
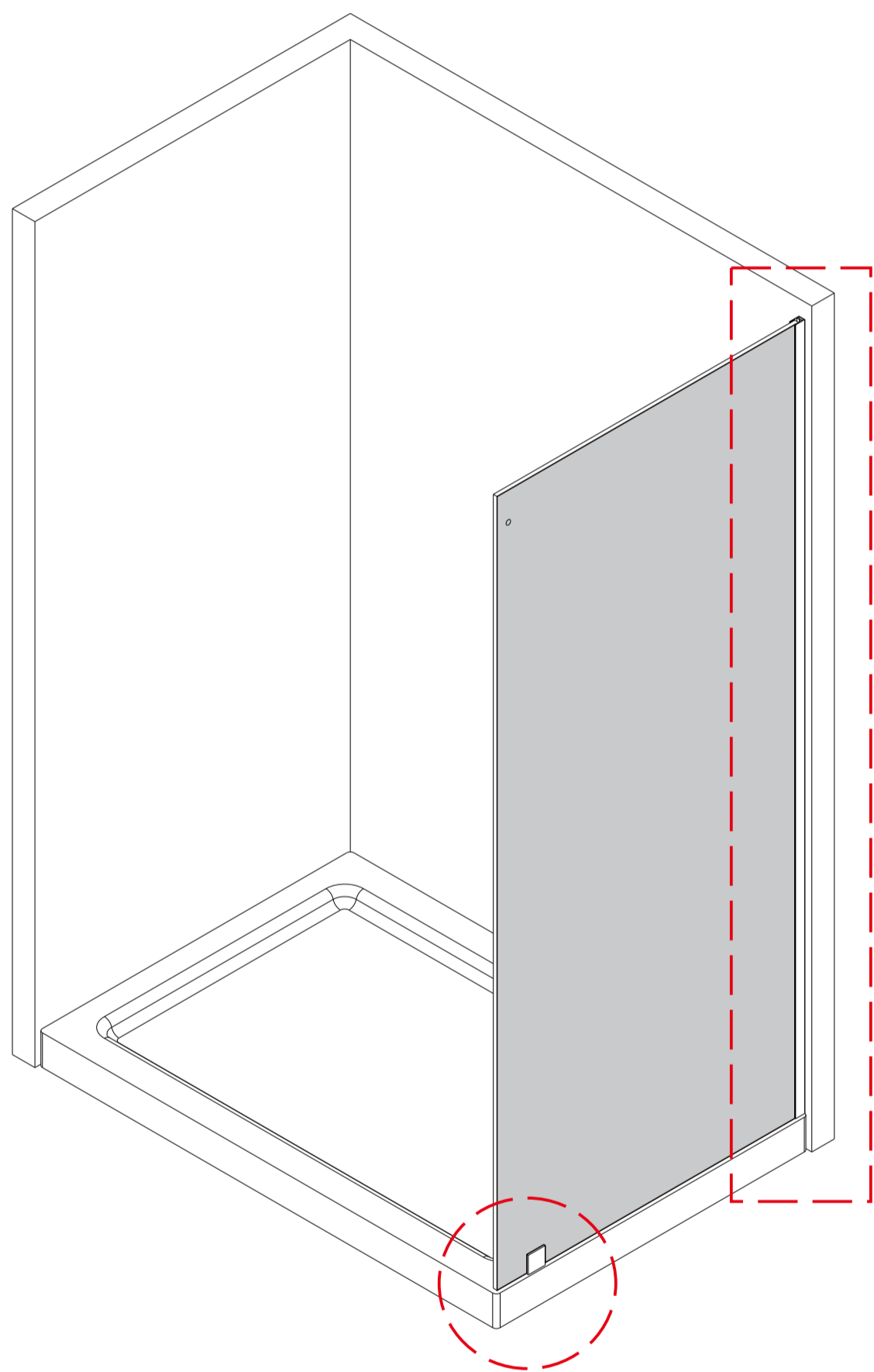


Note: The shower door can be installed left or right, according to the need to determine the installation direction.

4-5 Install Return panel glass(R)

NOTE

1. Install the **Return panel glass(R)** into the **Wall Jamb(L)** as Fig.a .
2. Leave 1/4" gap between **Return panel glass(R)** and **Wall Jamb(L)** as Fig.b .
3. Secure the **Bottom Bracket(T)** with a hex wrench as Fig.c .

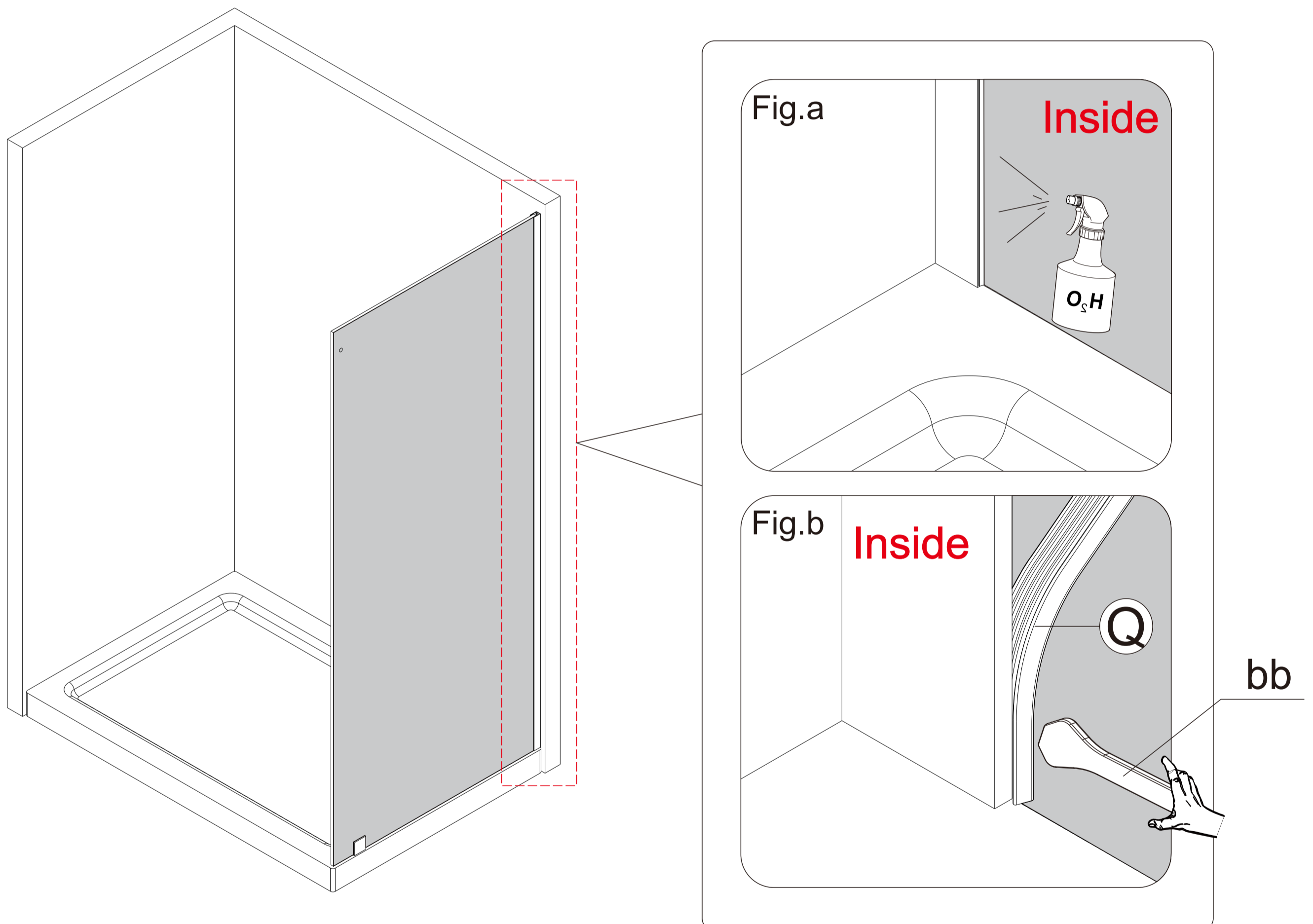


Note: The shower door can be installed left or right, according to the need to determine the installation direction.

5 Install Wedge Seal(Q)

NOTE

1. Spray water on the **Return panel glass(R)** and the slot of Wall Jamb(L) as Fig.a.
2. Insert in the **Wedge Seal(Q)** Using the given Wedge seal install tool to press the **Wedge seal(Q)** and Fit it place as Fig.b.

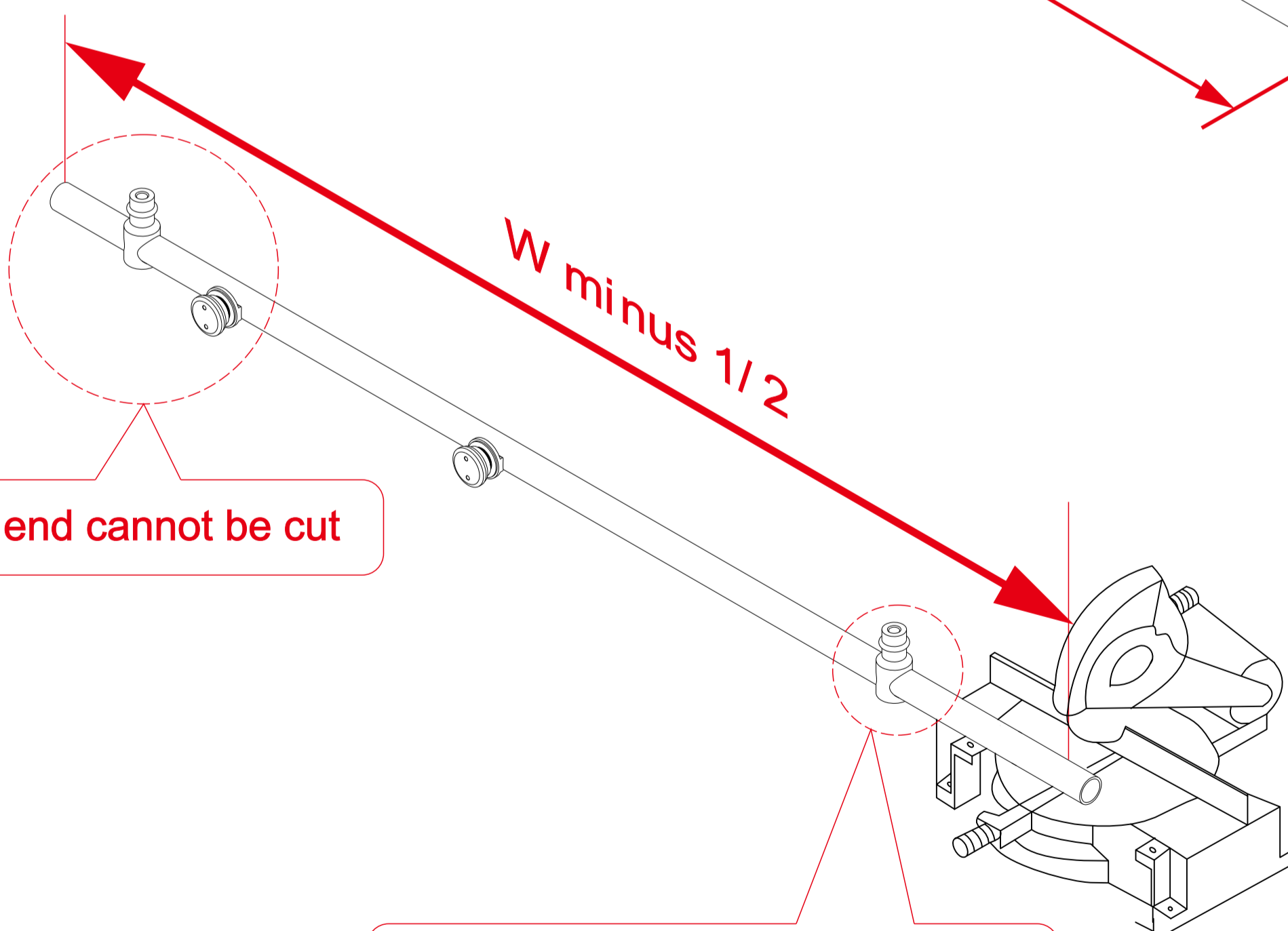
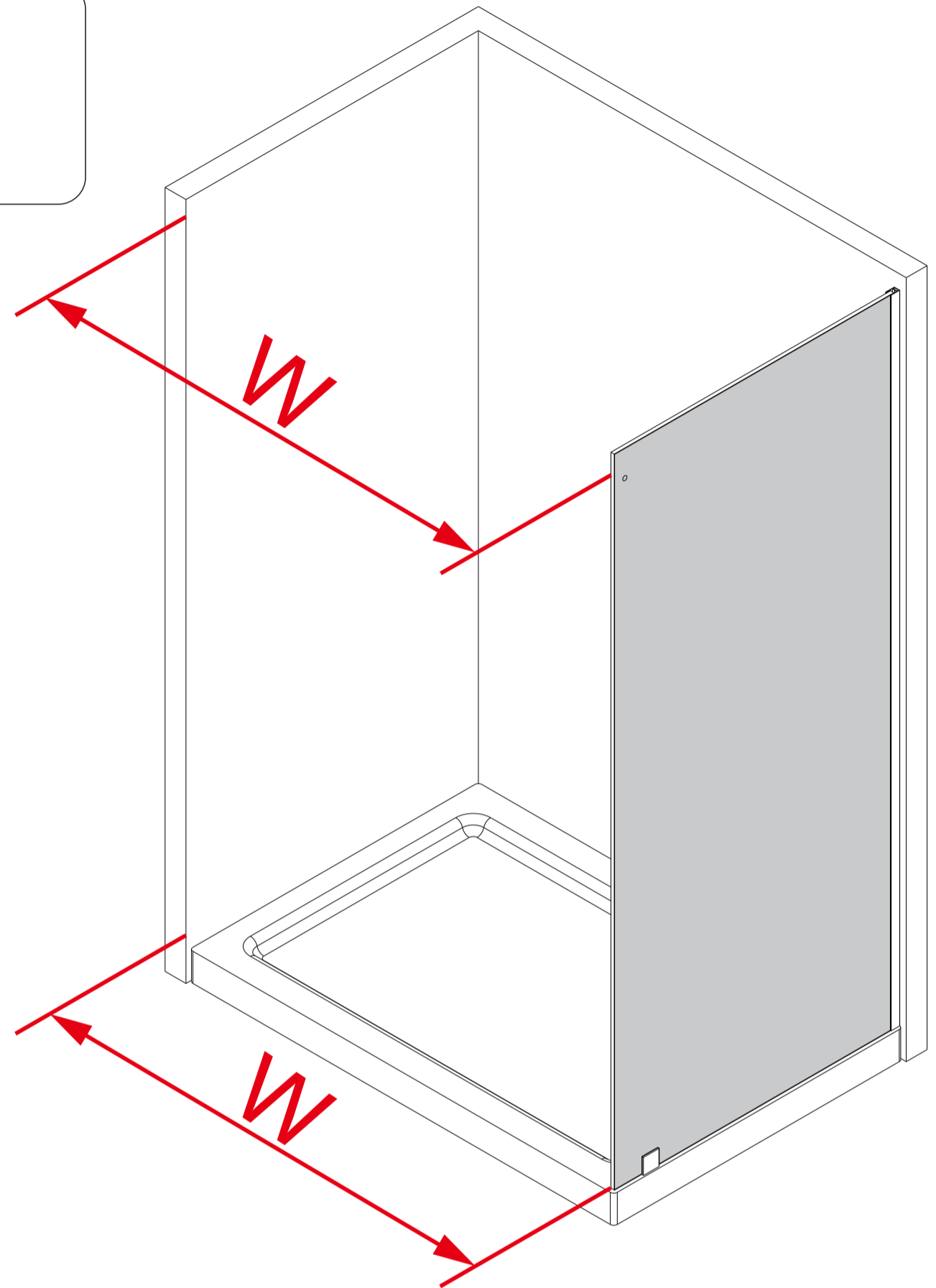


Note: The shower door can be installed left or right, according to the need to determine the installation direction.

6 Cut the **Upper Guide Rail (I)** to fit your finished opening using either a miter saw or a hacksaw

NOTE

1. The length of the **Upper Guide Rail (I)** = W minus $1/2$ " use the corner grinder to cut off the excess part, be careful not to cut to the Door Stoppers



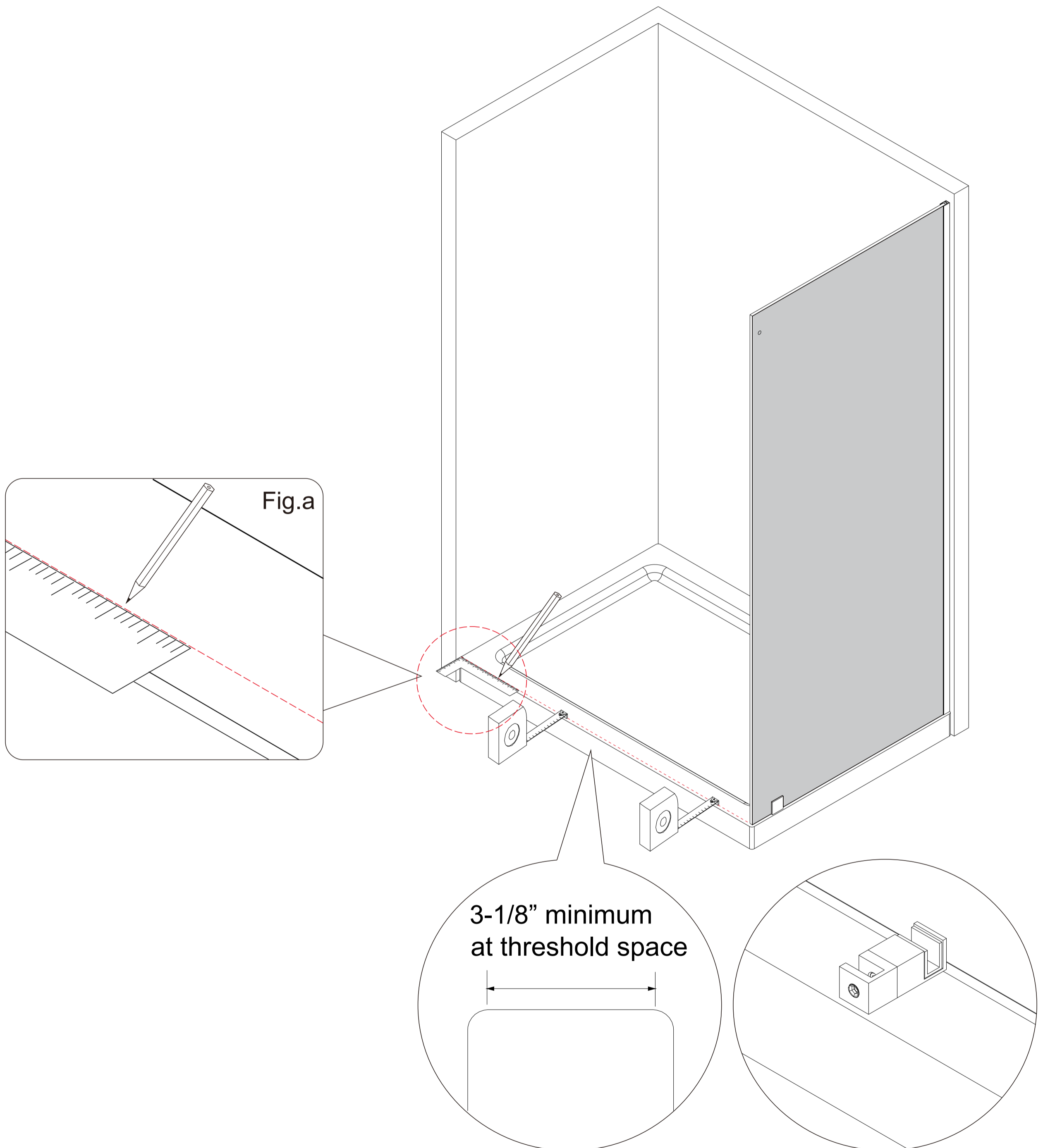
This end cannot be cut

If it interferes during cutting, it is necessary to adjust the position with a hex wrench.

7 Measuring the distance of the **Wall Jamb (L)**

NOTE

1. This model requires a minimum 3-1/8" of flat threshold space for installation. Starting from the wall on the **Return panel glass(R)** side, use a Carpenter's Square as a guide and draw a reference line on the threshold.

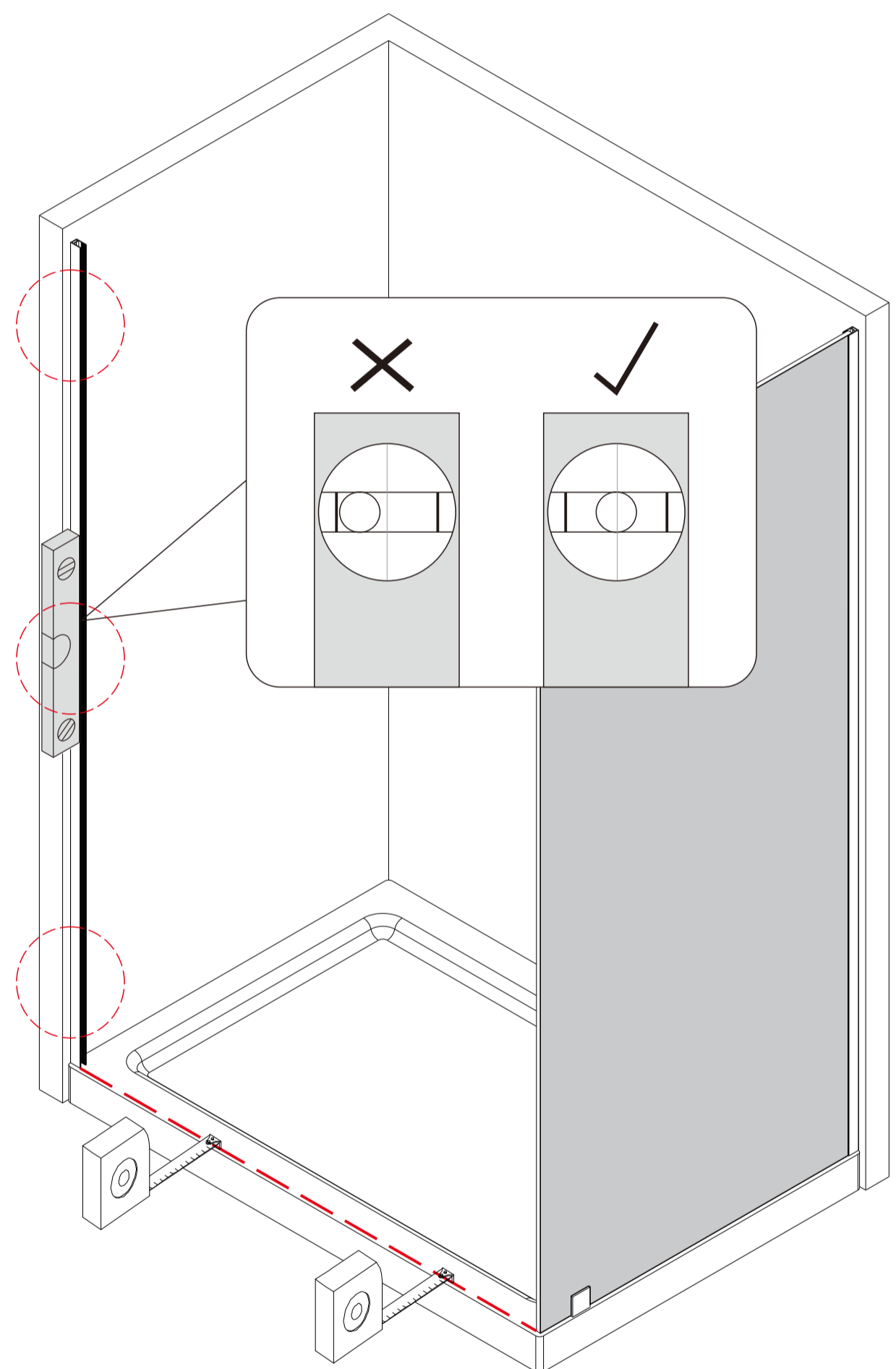
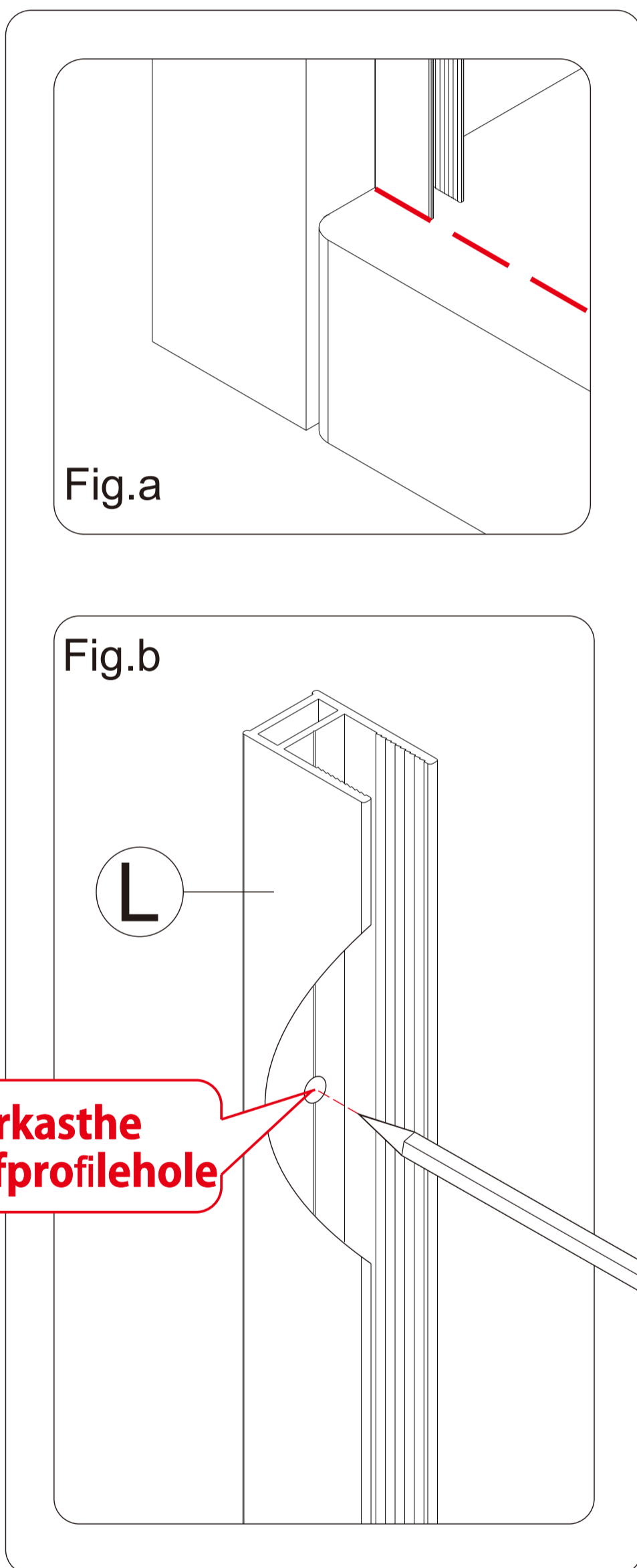


8

Mark the hole in the **Wall Jamb(L)**

NOTE

1.The **Wall Jamb(L)** alignment auxiliary line, mark the hole position of the **Wall Jamb(L)** with a pencil, pay attention to the level as Fig.a and Fig.b .

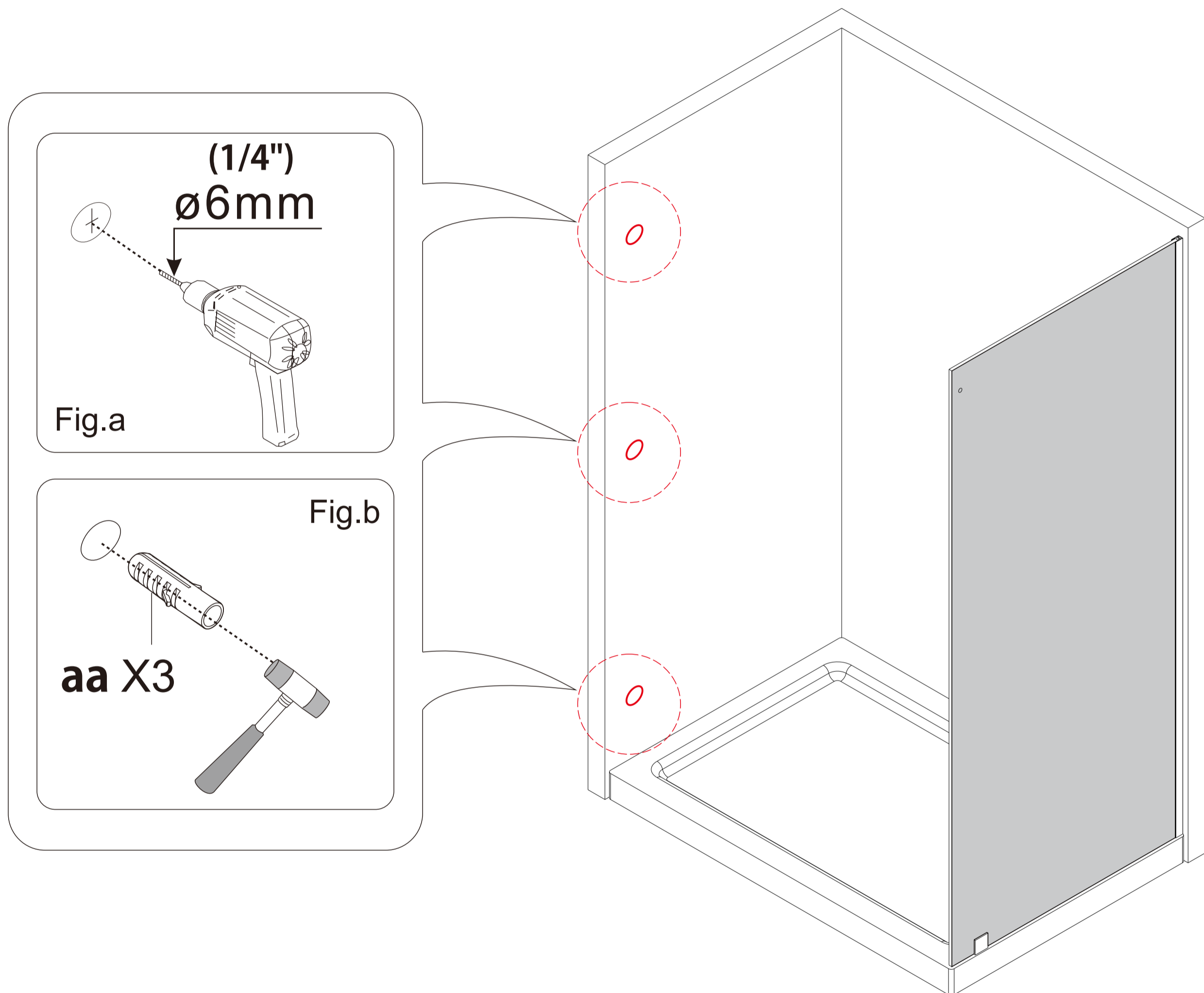


Note: The shower door can be installed left or right, according to the need to determine the installation direction.

9 Install **Wall Anchor(aa)**

NOTE

1. Drill holes with $\phi 6\text{mm}(1/4\text{'})$ drill bit as Fig.a .
2. Insert **Wall Anchors(aa)** as Fig.b .



NOTE

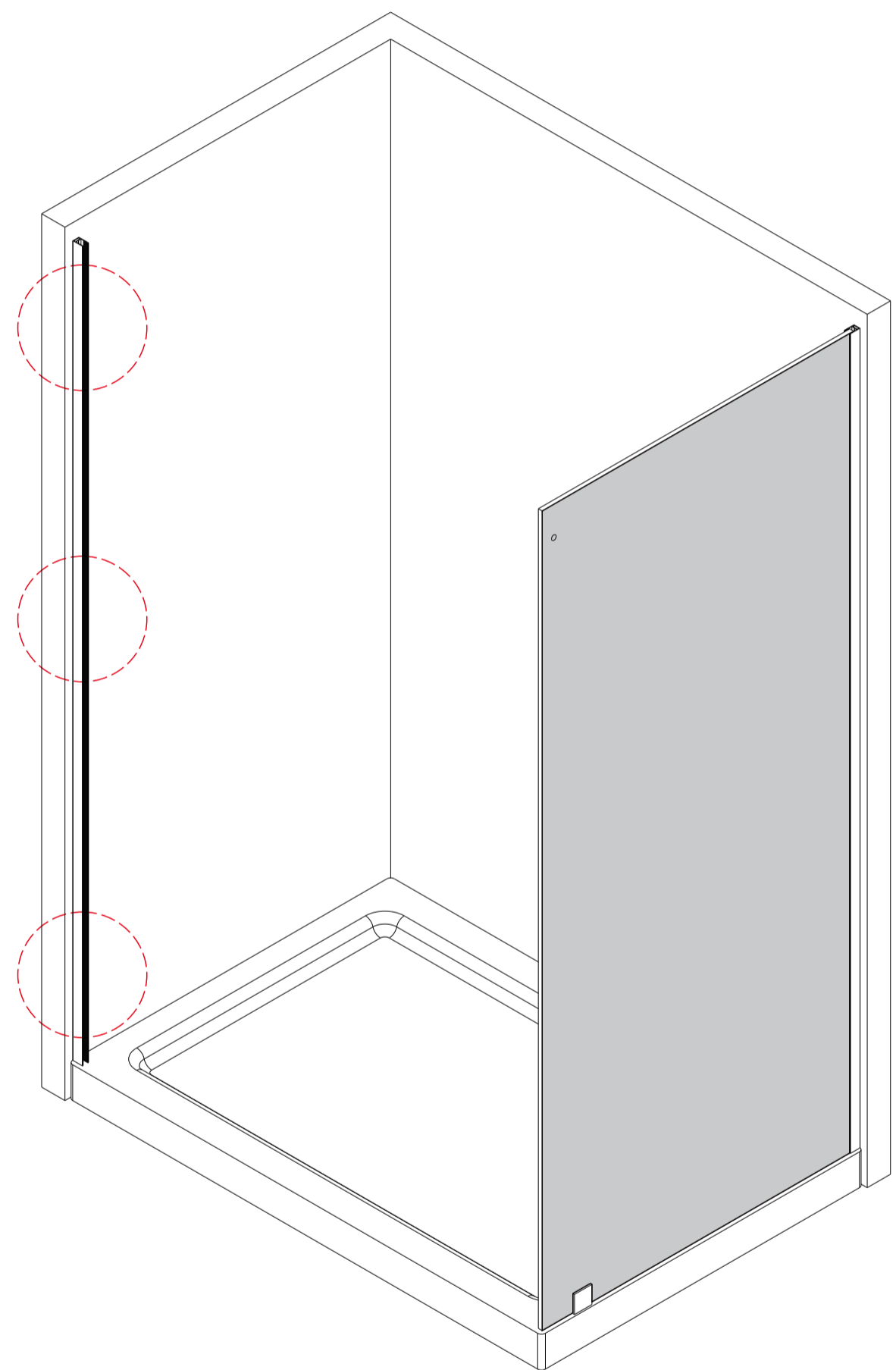
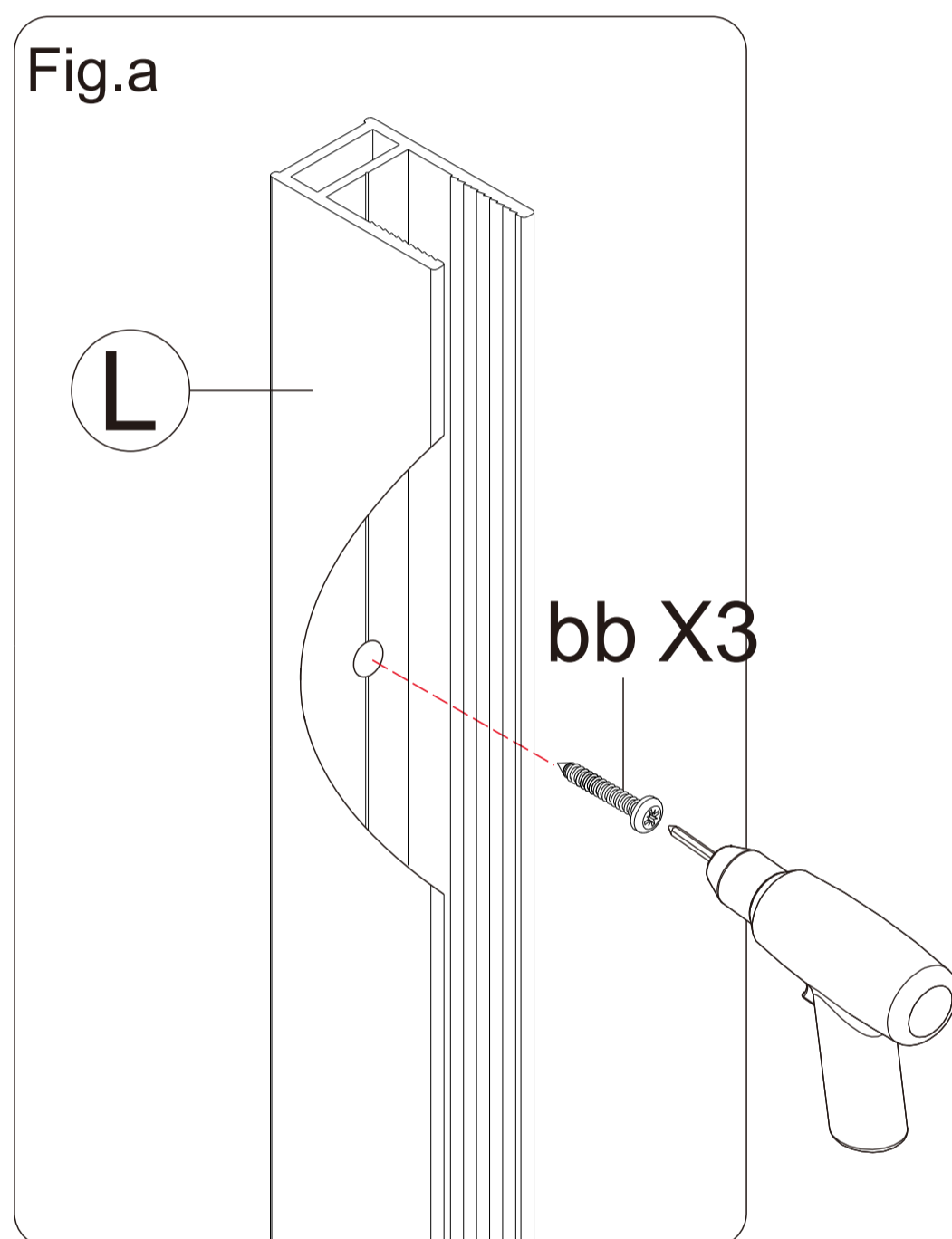
- If a Stud is present behind the wall:
drill $\Phi 1/8\text{'}$ (3mm) pilot holes into the stud and use the ST4.0x30mm **Screws(bb)**
OR
- If NO Stud is present behind the wall:
drill $\Phi 1/4\text{'}$ (6mm) holes and insert the **Wall Anchors(aa)** and use the ST4.0x30mm **Screws(bb)**.



Note: The shower door can be installed left or right, according to the need to determine the installation direction.

10 Install Wall Jamb(L)

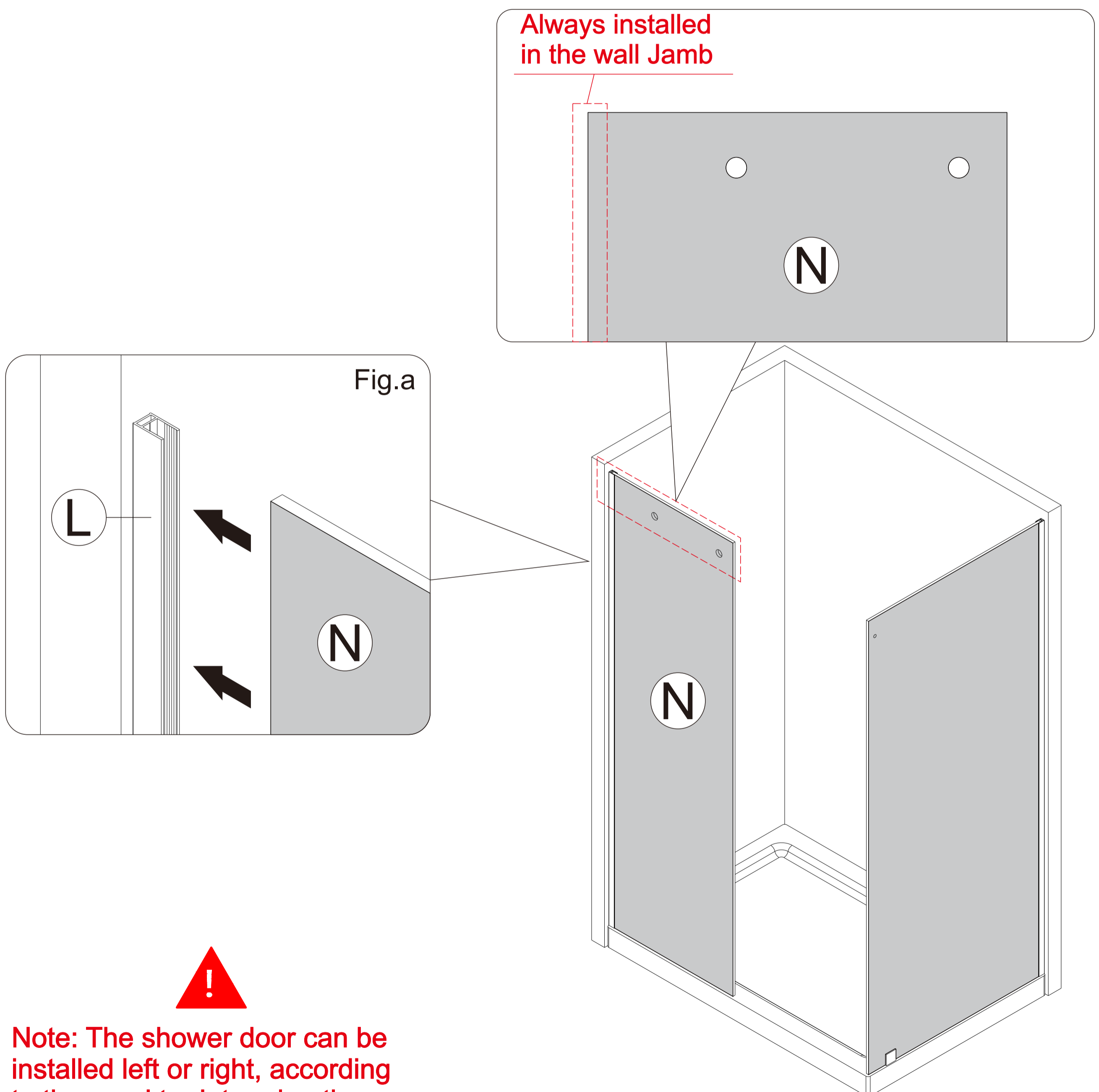
NOTE 1. Fix **Wall Jambs(L)** with **Screw(bb)** as Fig.a .



Note: The shower door can be installed left or right, according to the need to determine the installation direction.

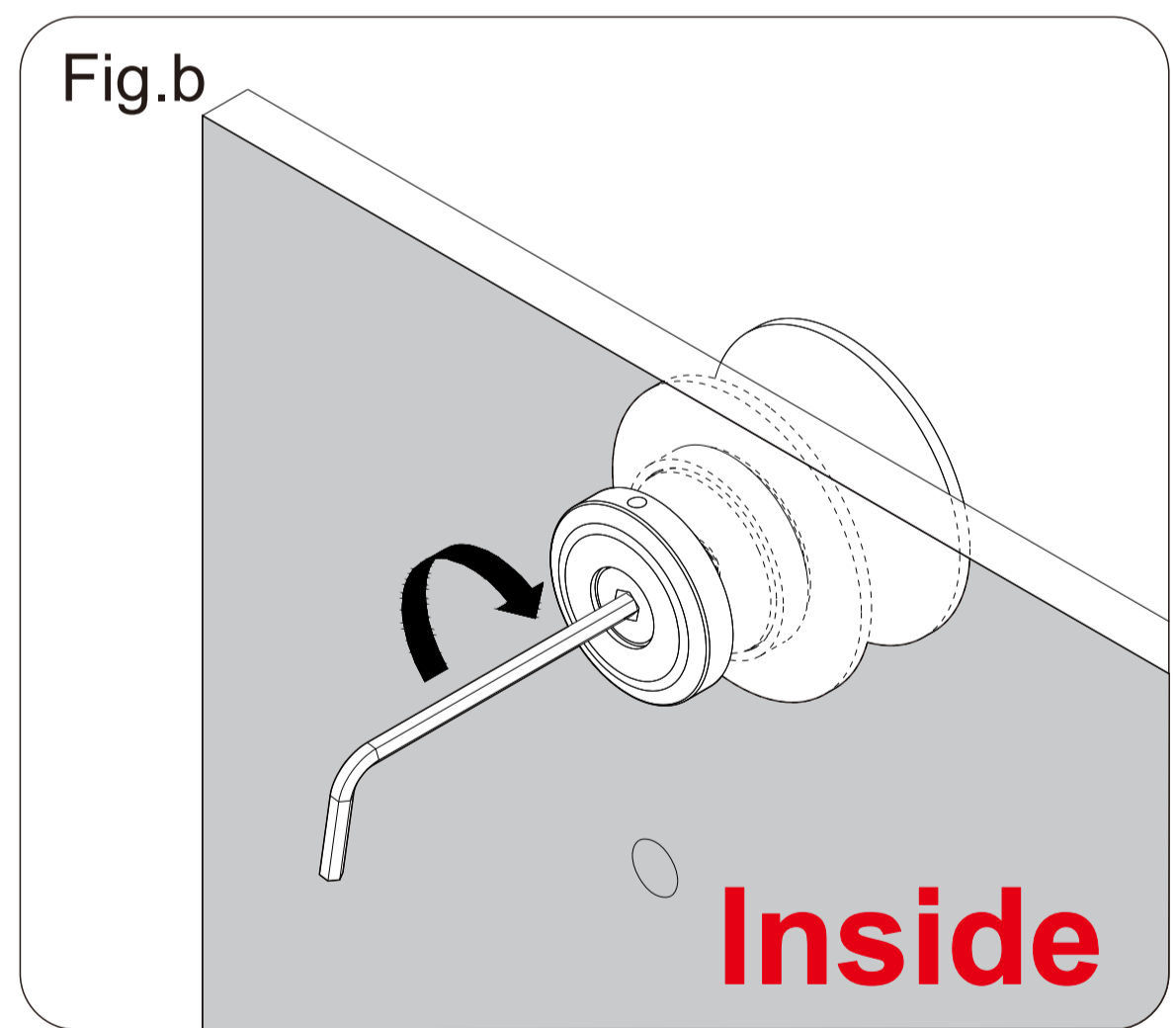
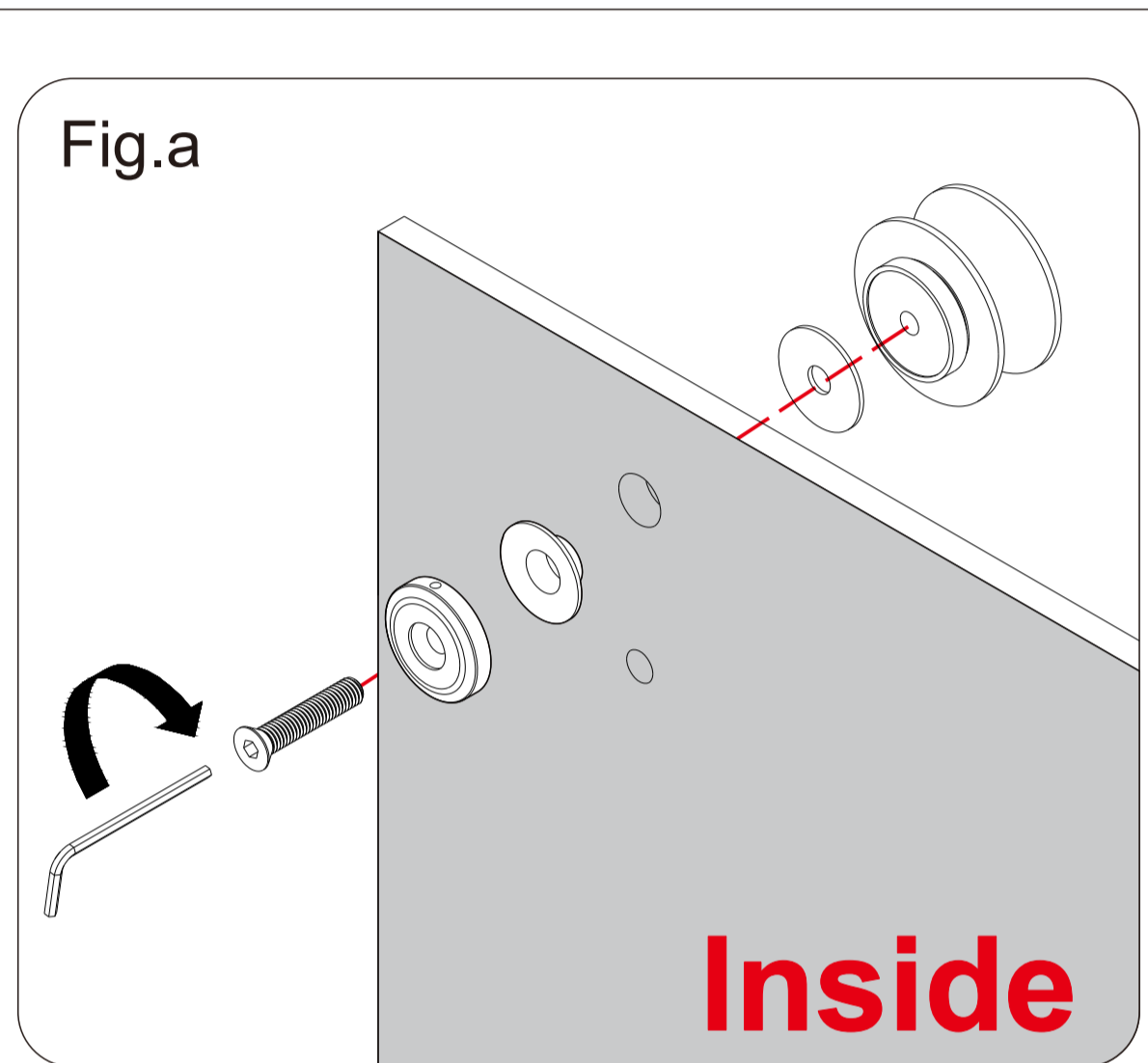
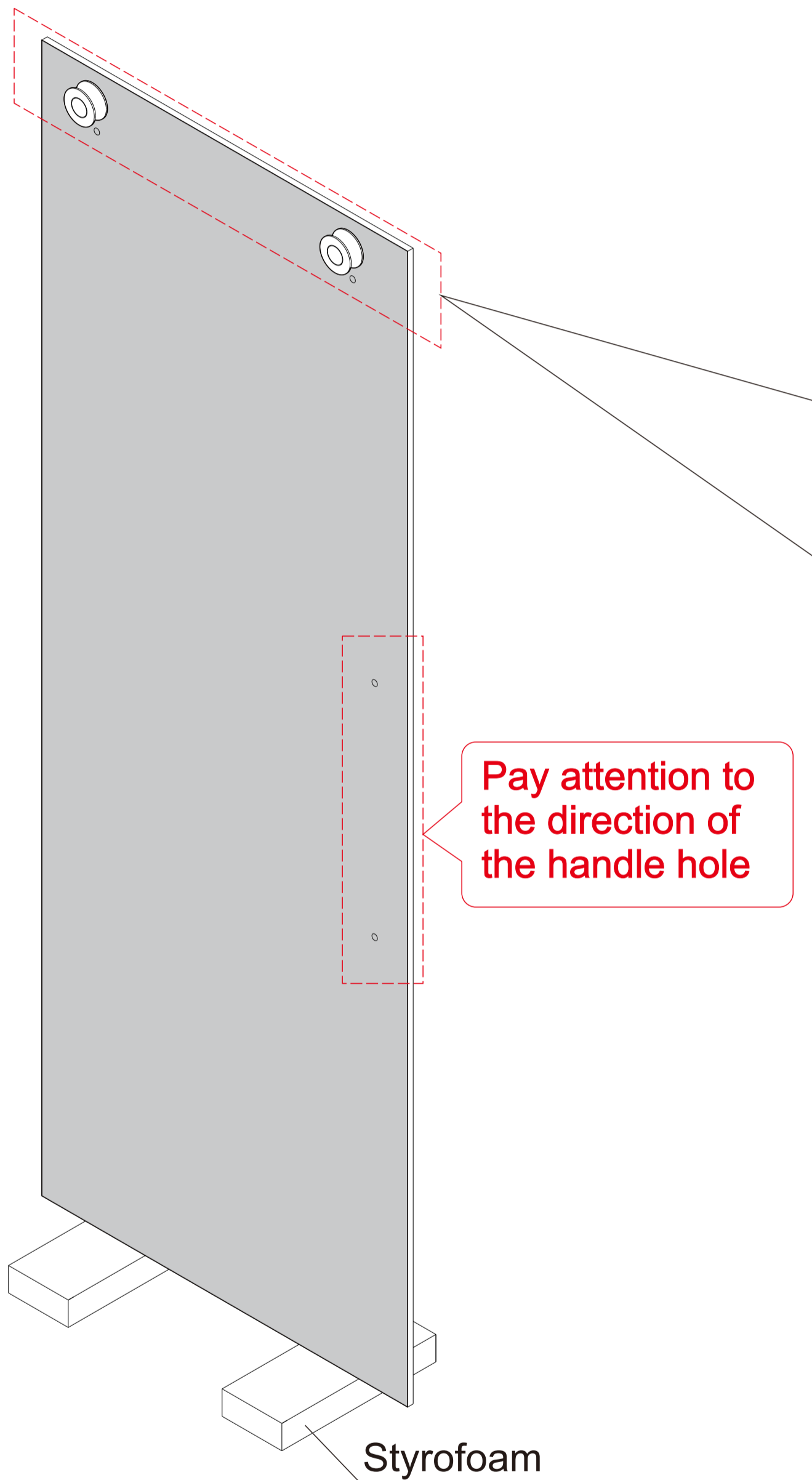
11 Install Stationary Glass (N)

NOTE 1. Install the **Stationary Glass(N)** to the **Wall Jamb(L)** as Fig.a .



12 Install Roller(G)

NOTE 1. Install the **Roller(G)** on the **Glass Door(D)** and faces outside as Fig.a and Fig.b .



Note: The shower door can be installed left or right, according to the need to determine the installation direction.

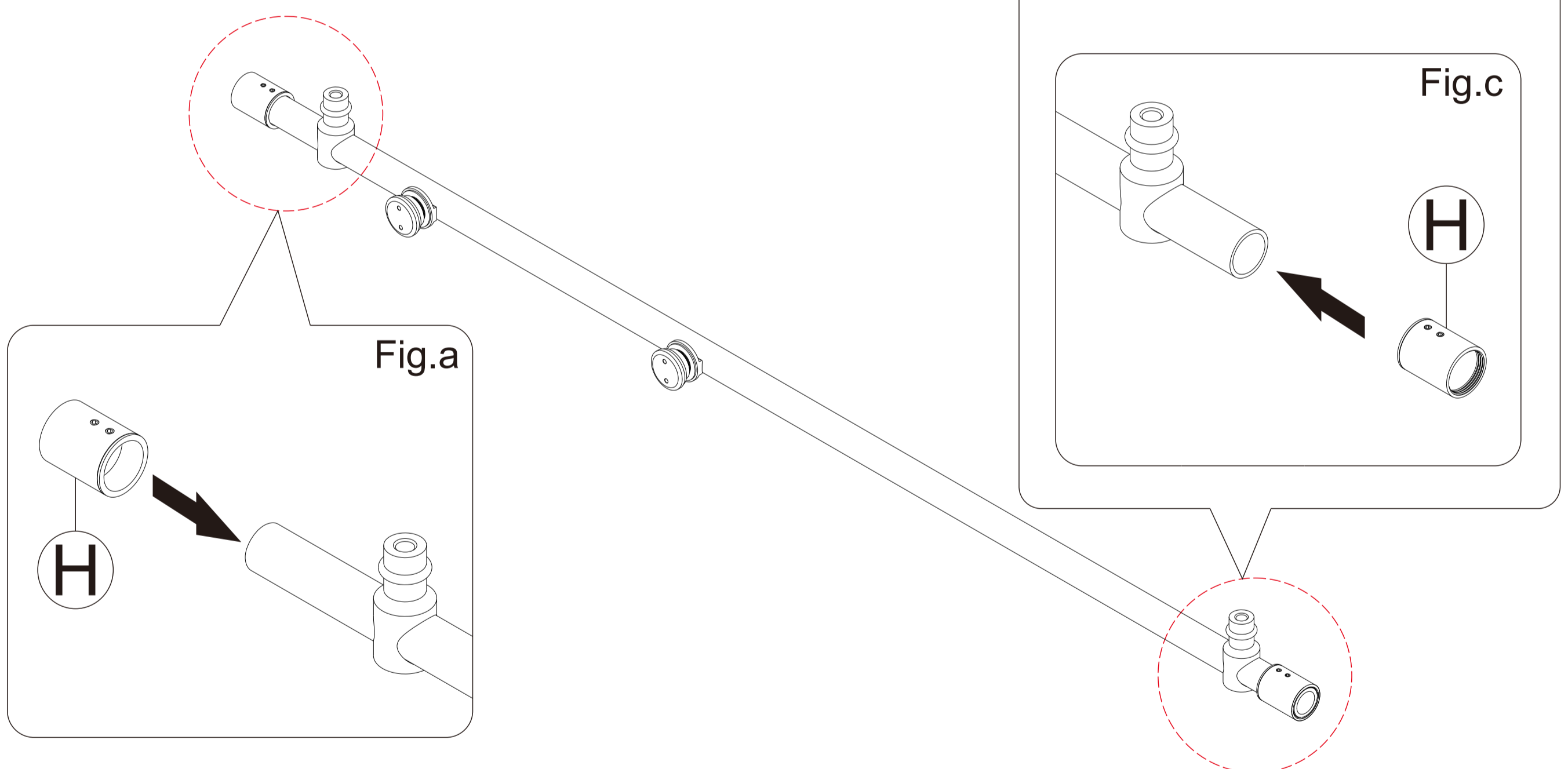


CAUTION: Do not put glass directly on the ground

13 Install the **Guide Rail Brackets(H)**

NOTE

1. Install the **Guide Rail Brackets(H)** on the **Upper Guide Rail(I)** as Fig.a .
2. Take out the right **Guide Rail Brackets(H)** base, and then install the **Guide Rail Brackets(H)** bracket on the **Upper Guide Rail(I)** as Fig.b and Fig.c .



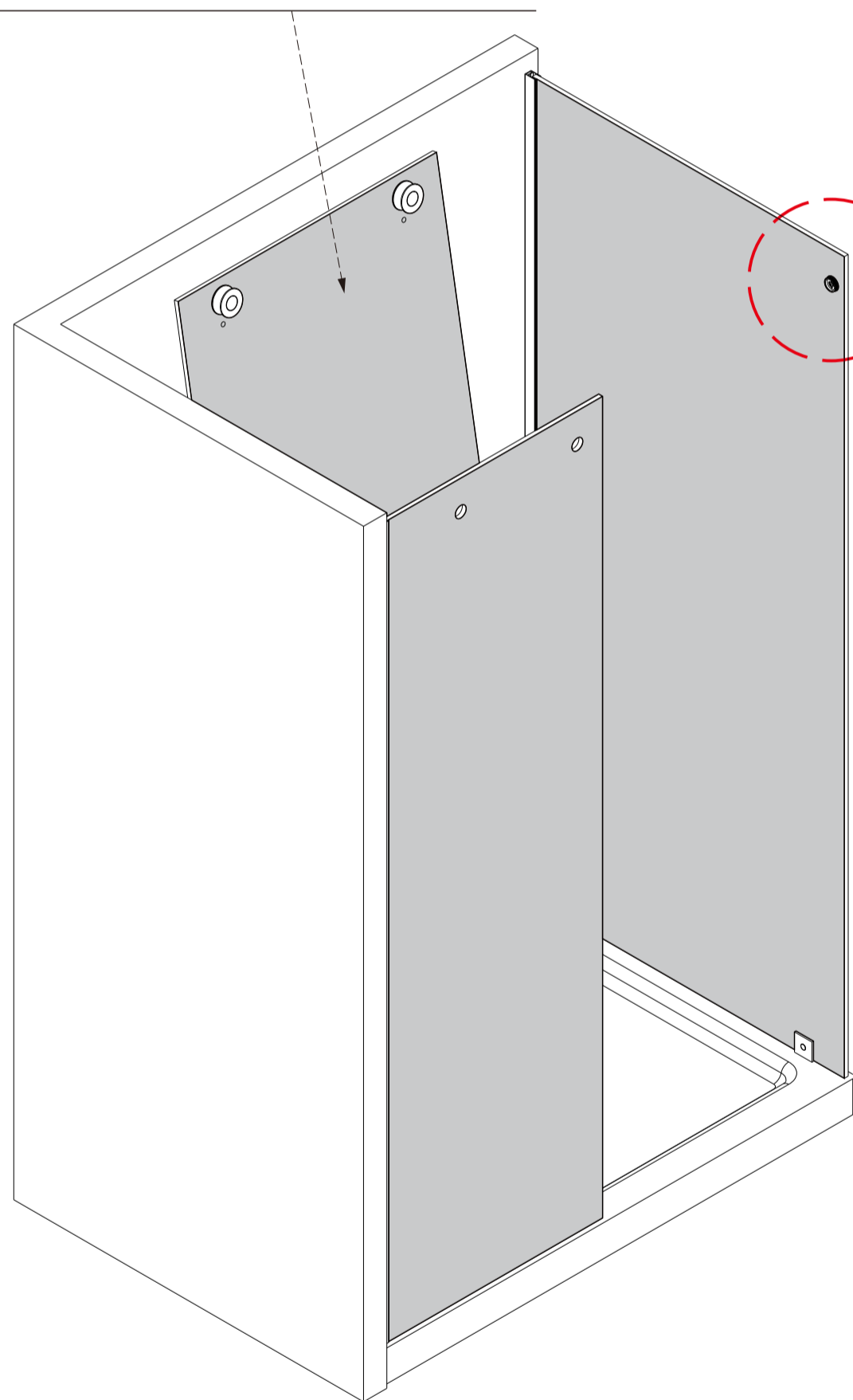
Note: The shower door can be installed left or right, according to the need to determine the installation direction.

14 Install the **Guide Rail Brackets(H)** base

NOTE

1. Install the **Guide Rail Brackets(H)** base on the **Return panel glass(R)** with **Screws (gg)** and **Bumper Strip(S)**, remember to install the spacer as Fig.a and Fig.b .
2. The glass door is placed in the shower room in advance for subsequent installation

Lay the glass on a soft padded surface!



Guide Rail Brackets base

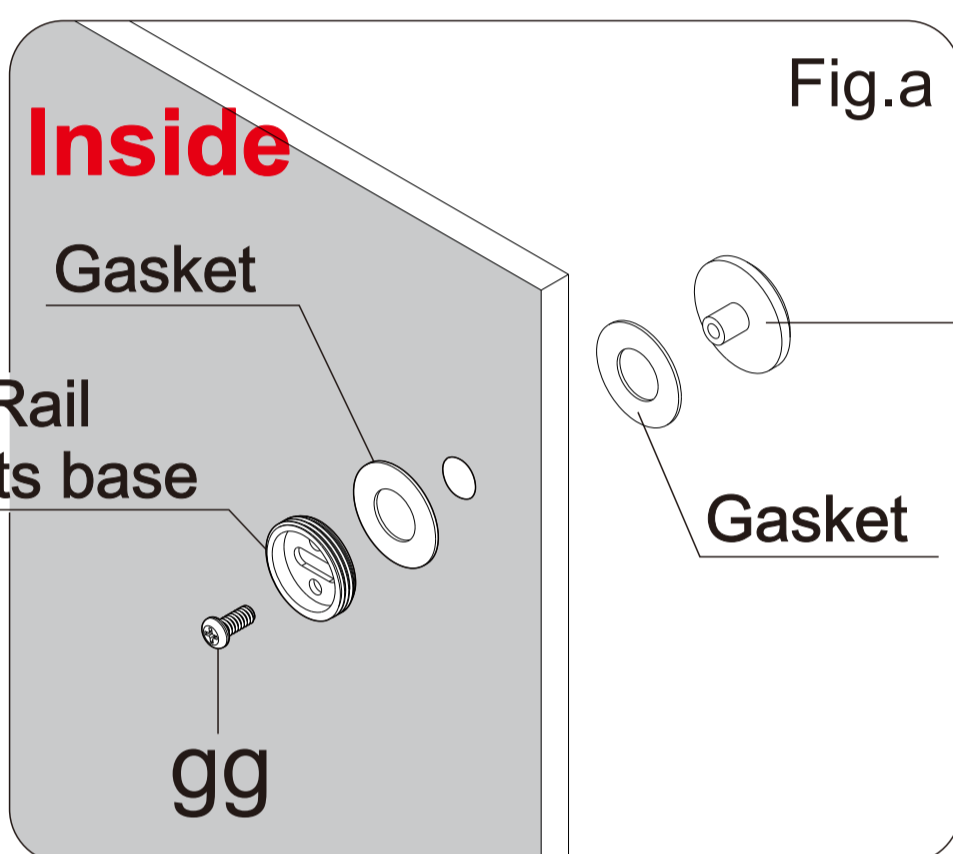


Fig.a

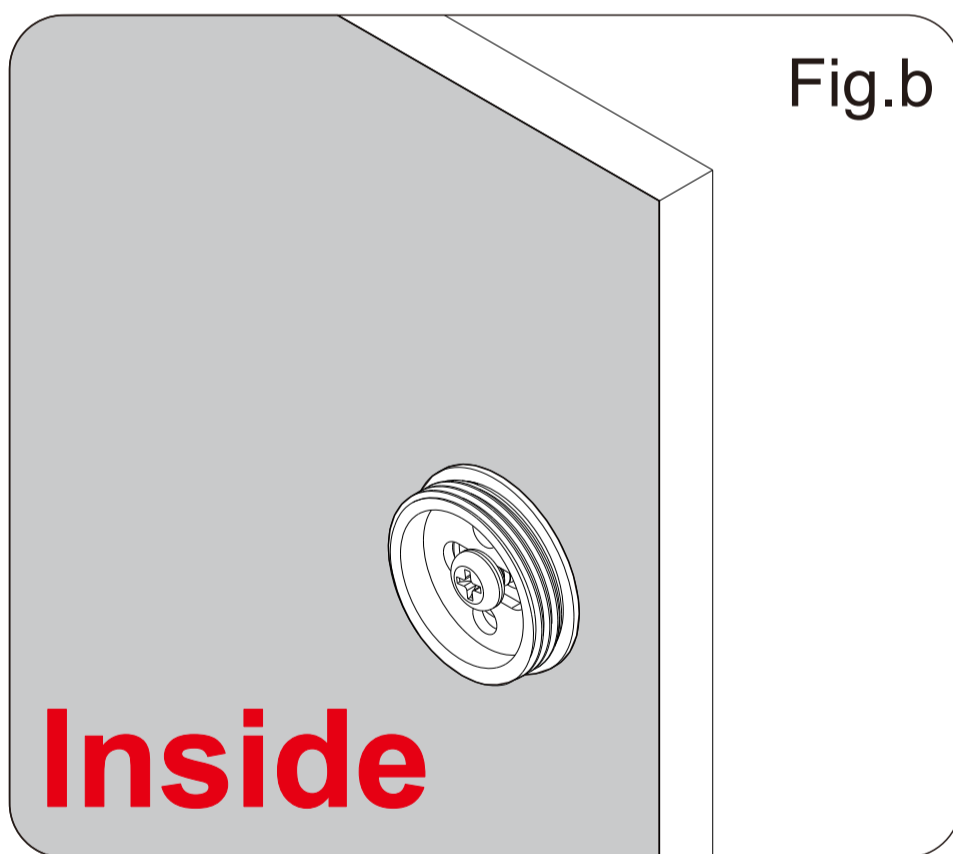


Fig.b

S



Note: The shower door can be installed left or right, according to the need to determine the installation direction.

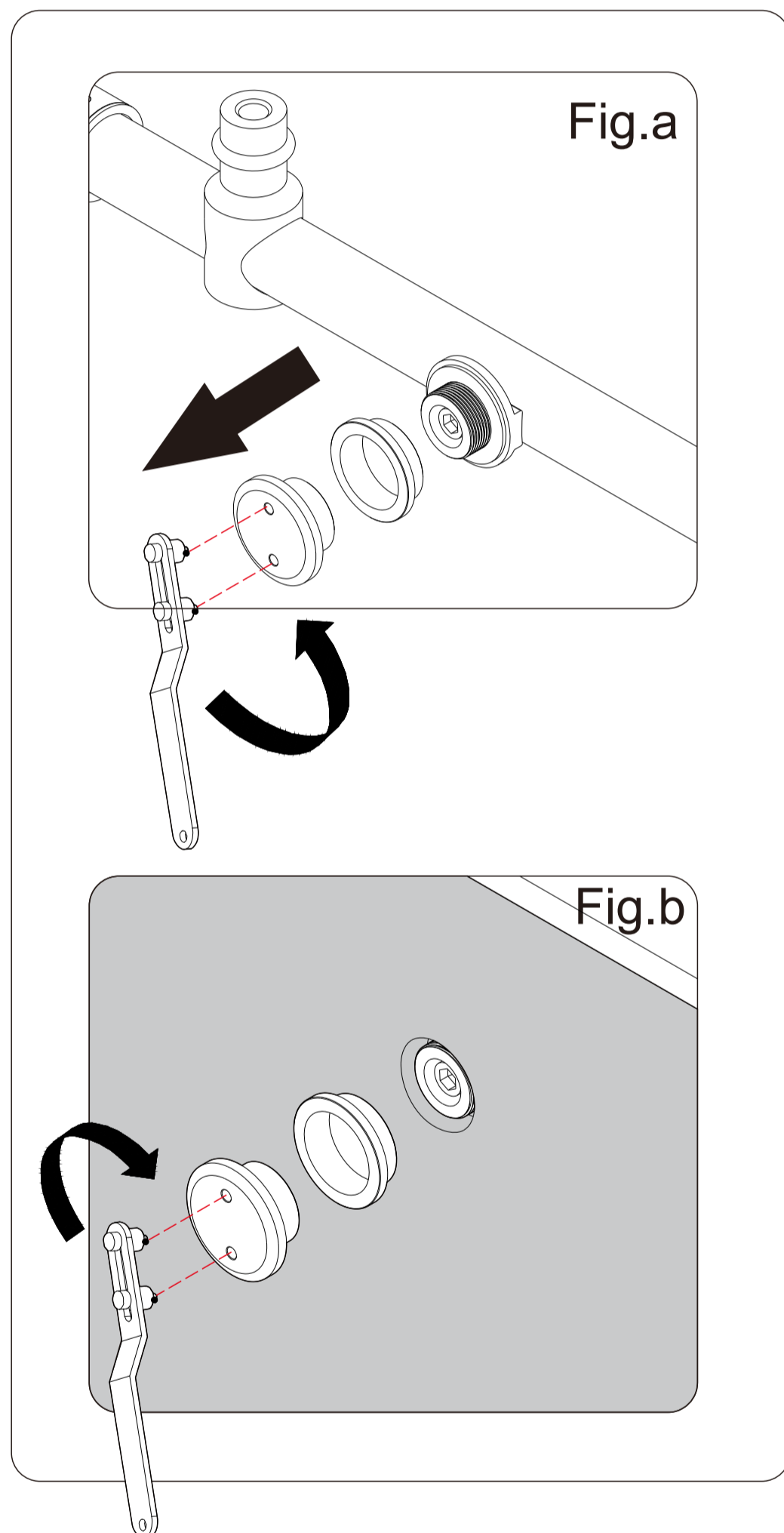


CAUTION: Do not put glass directly on the ground

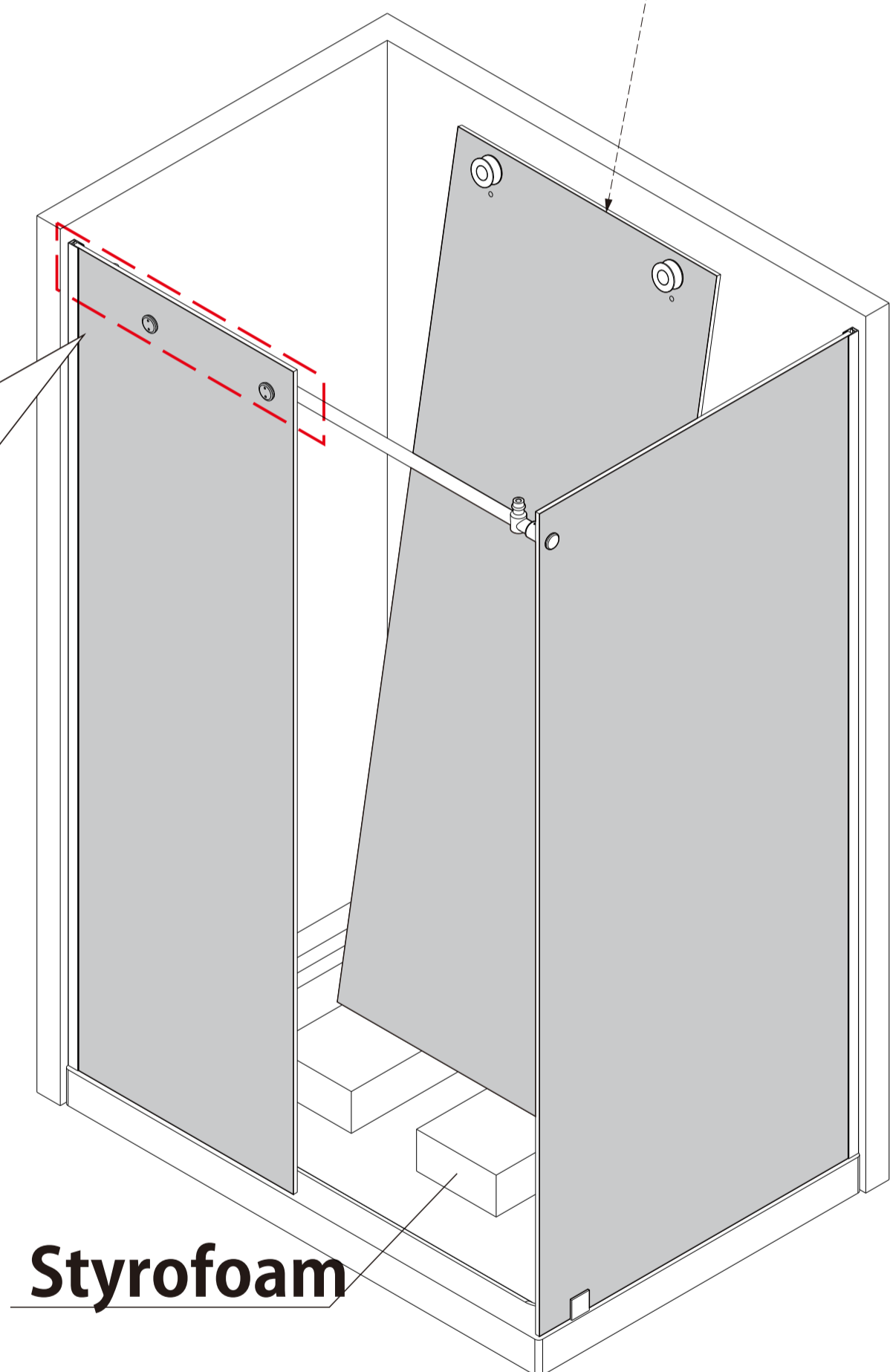
15 Install the Upper Guide Rail(I)

NOTE

1. Take out the **Glass Brackets(J)** with a special wrench, and install the **Glass Brackets(J)** on the **Stationary Glass(N)**, thereby fixing the **Upper Guide Rail(I)** as Fig.a and Fig.b .
2. Note: Make sure there is an installation gasket.
3. The glass door is placed in the shower room in advance for subsequent installation



Lay the glass on a soft padded surface!



Note: The shower door can be installed left or right, according to the need to determine the installation direction.

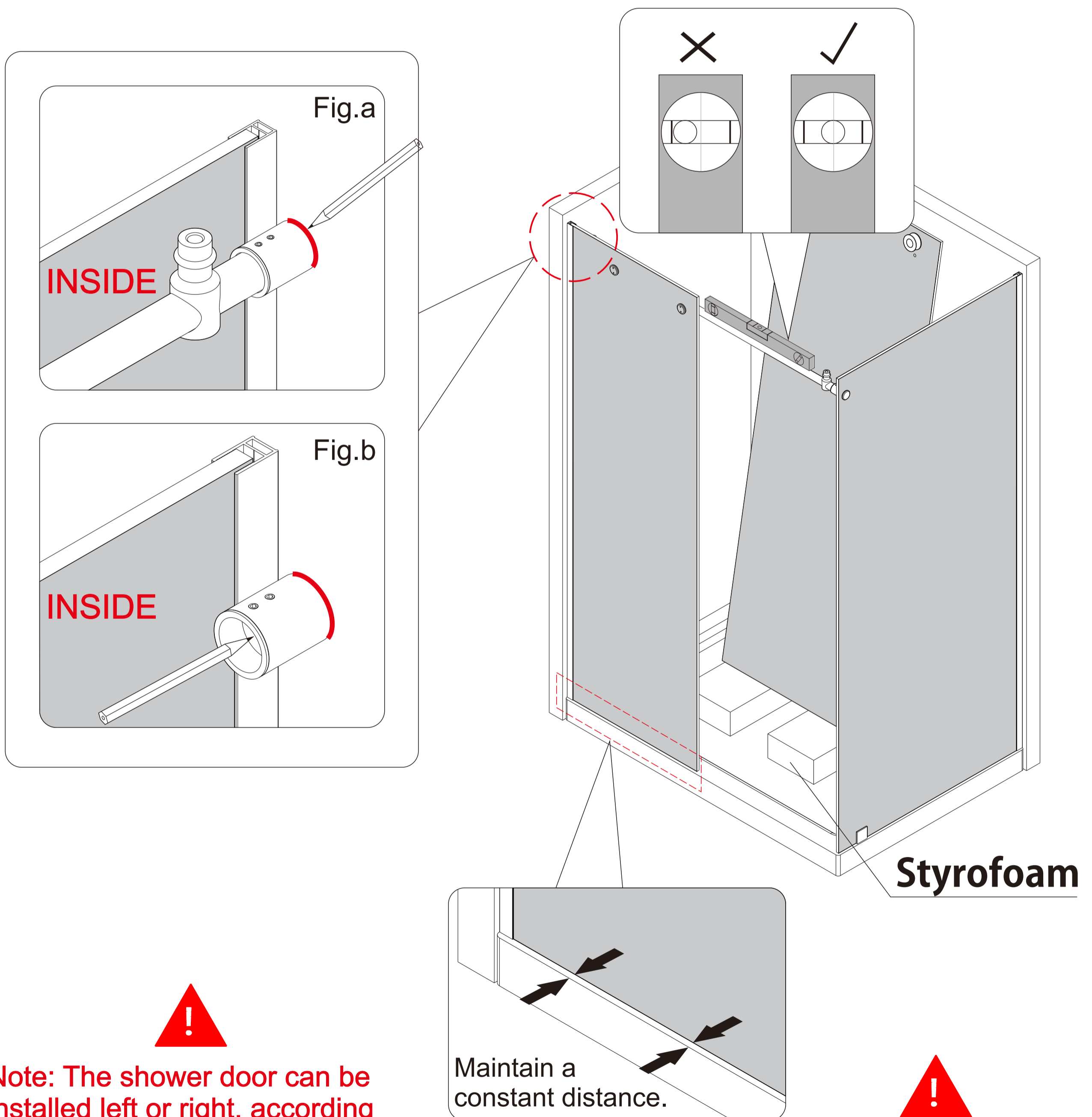


CAUTION: Do not put glass directly on the ground

16 Mark the location of the **Guide Rail Brackets(H)**

NOTE

1. Make sure that the **Upper Guide Rail(I)** is parallel and mark the position of the **Guide Rail Brackets(H)** with a pencil as Fig.a.
2. Remove the **Upper Guide Rail(I)**, place the **Guide Rail Brackets(H)** in the marked position, and mark the hole of the **Guide Rail Brackets(H)** as Fig.b.



!
Note: The shower door can be installed left or right, according to the need to determine the installation direction.

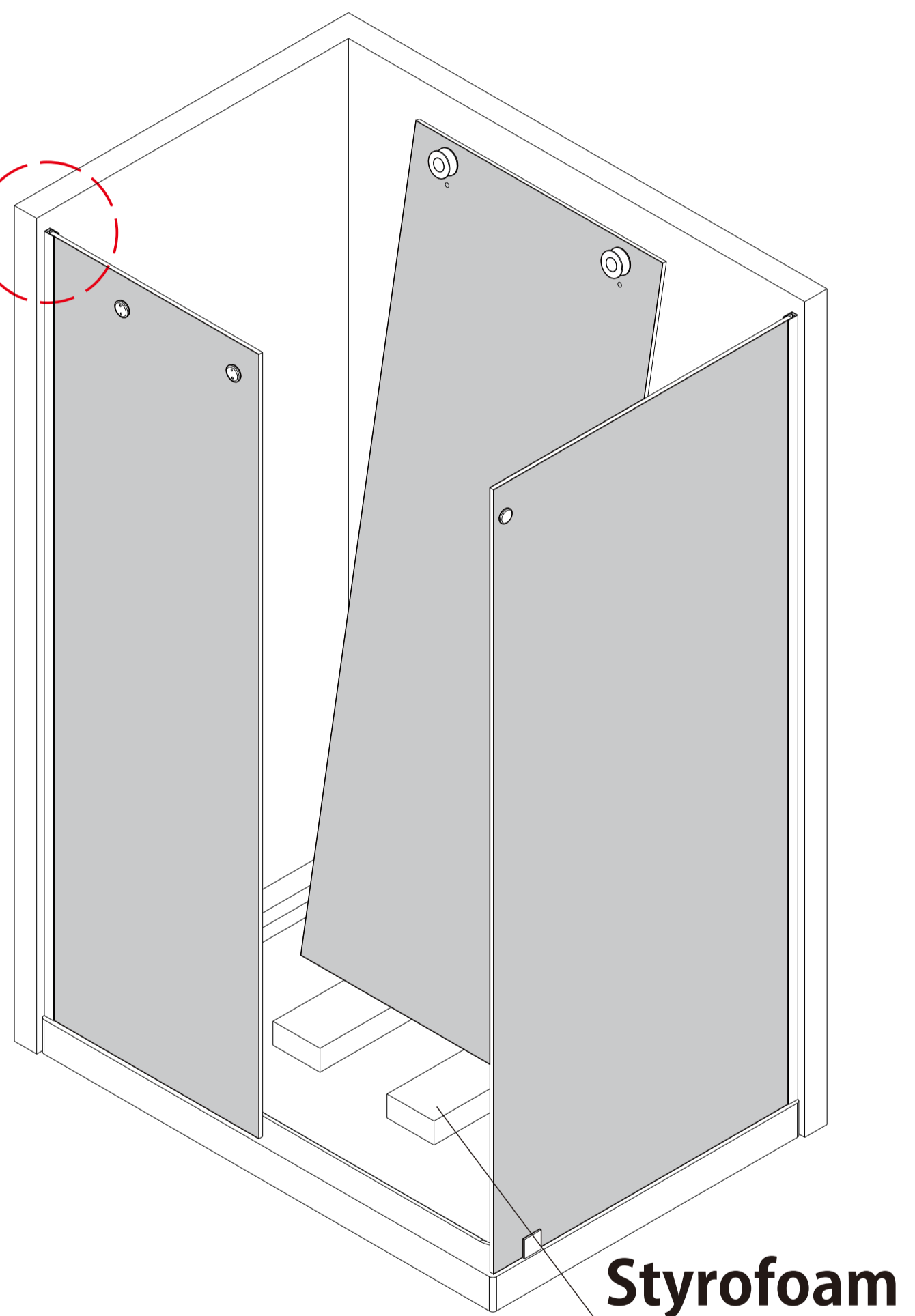
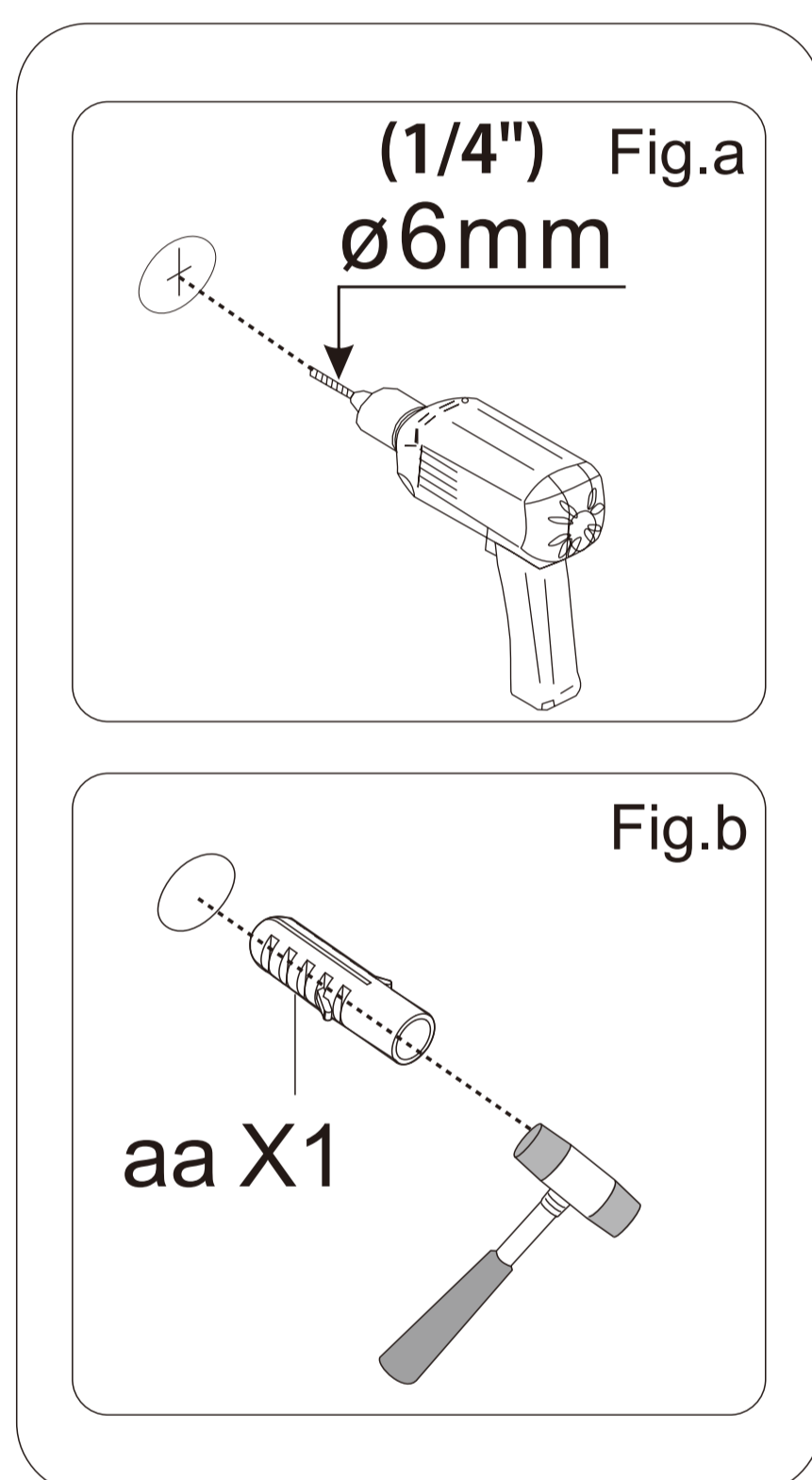
Maintain a constant distance.

!
CAUTION: Do not put glass directly on the ground

17 Borehole

NOTE

1. Drill holes with $\Phi 6\text{mm}$ (1/4") drill bit as Fig.a .
2. Insert in **Wall Anchors(aa)** as Fig.b .



Note: The shower door can be installed left or right, according to the need to determine the installation direction.

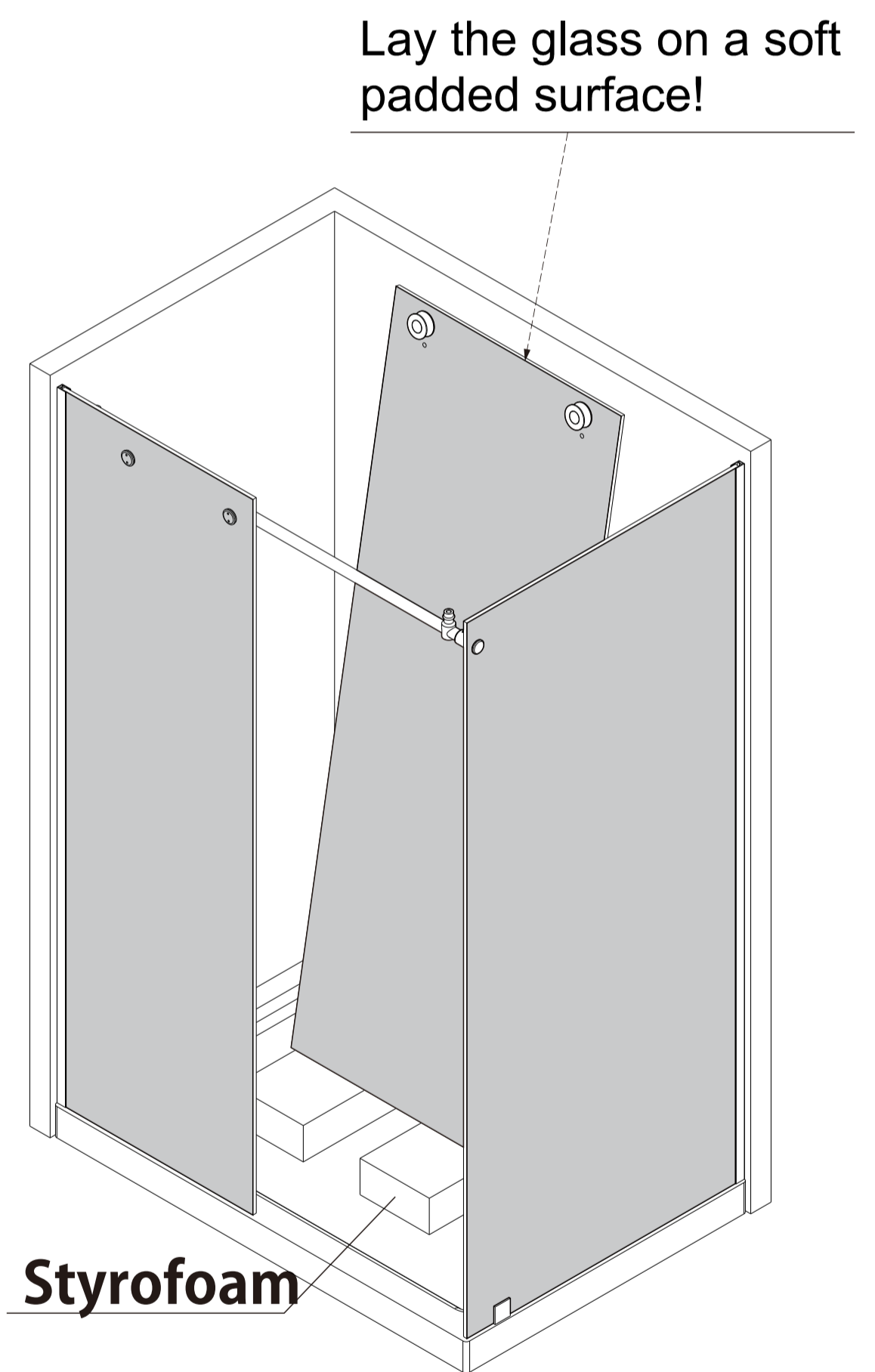
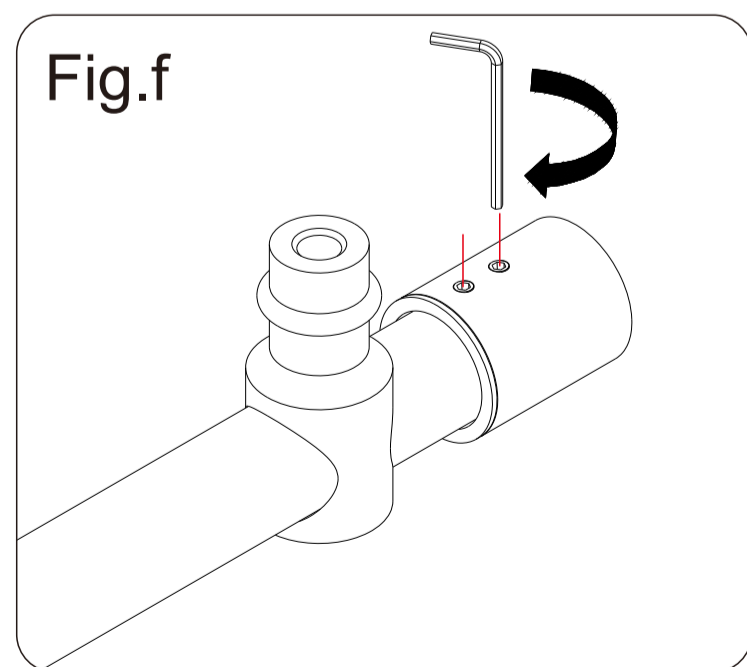
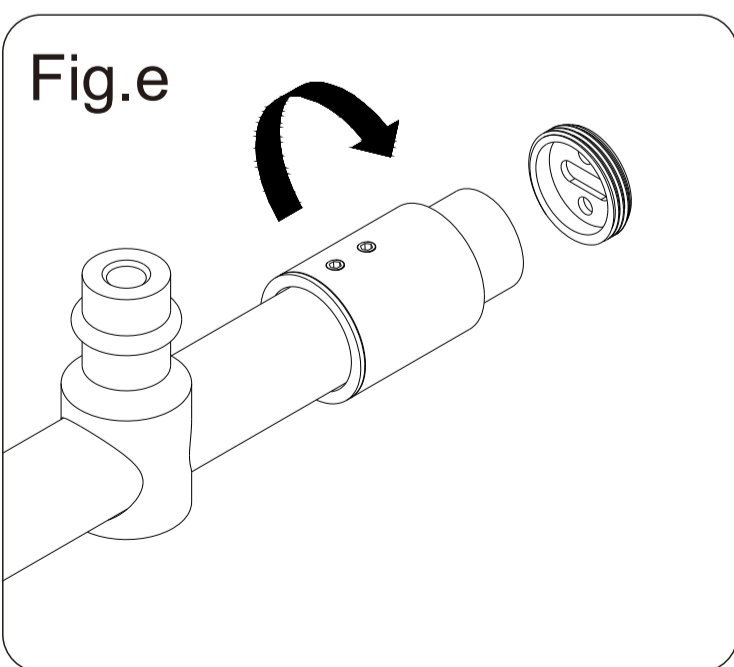
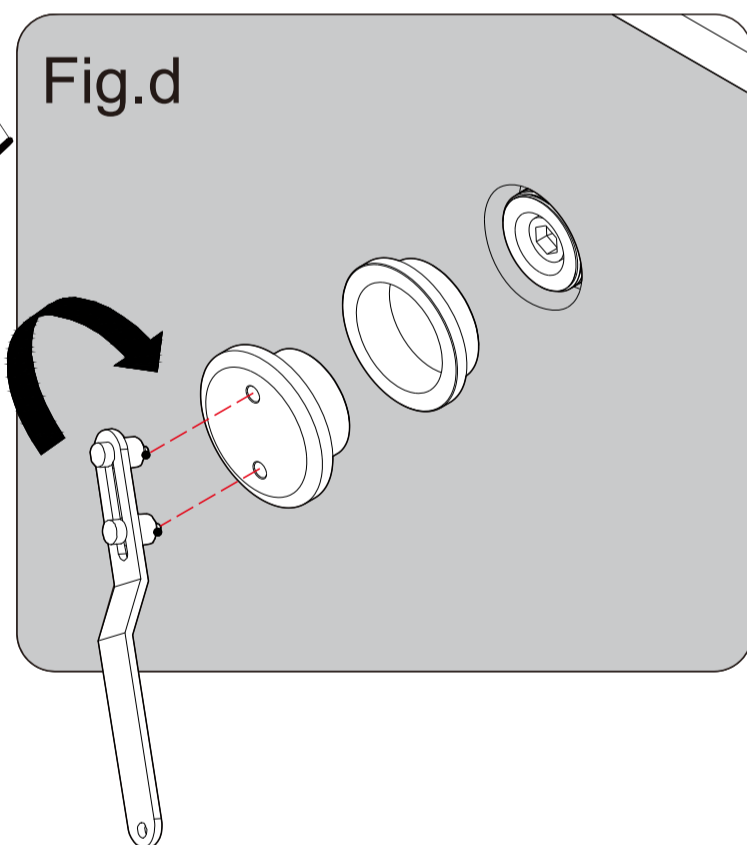
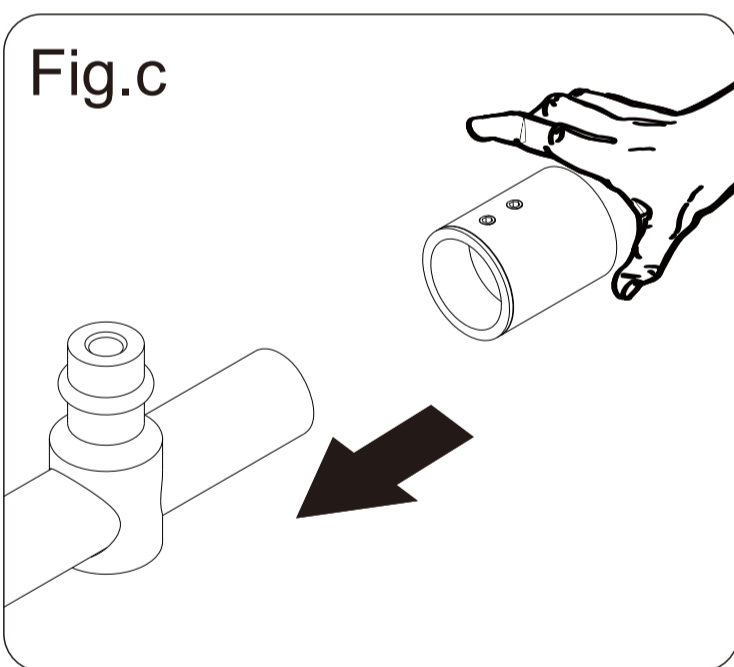
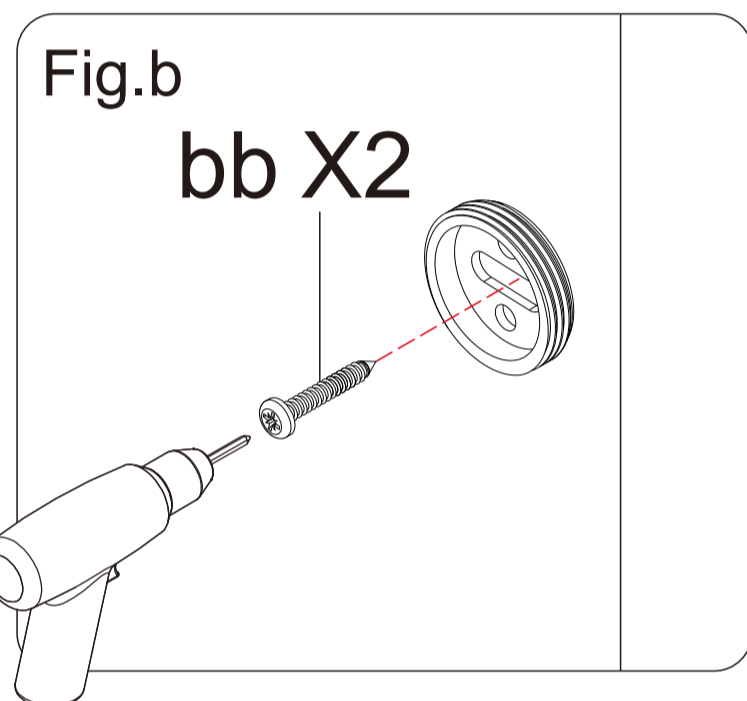
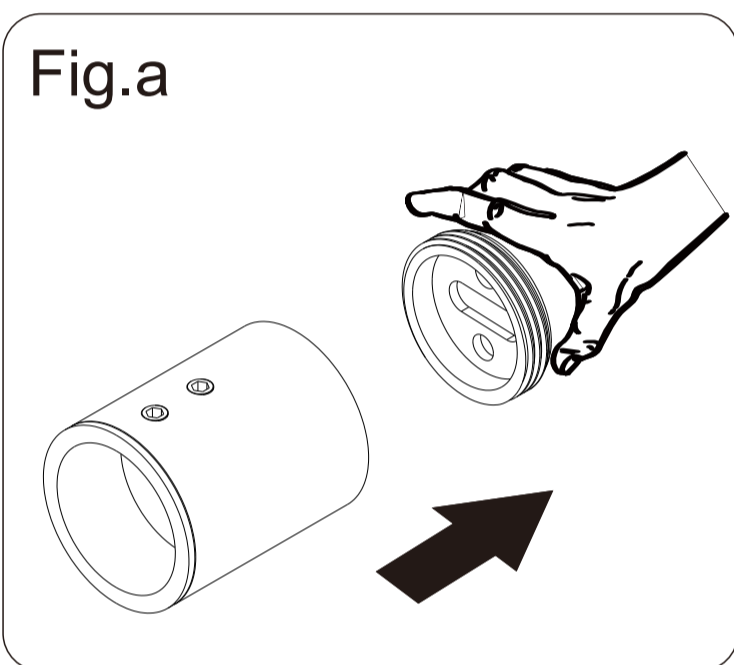
NOTE

- If a Stud is present behind the wall:
drill $\Phi 1/8"$ (3mm) pilot holes into the stud and use the ST4.0x30mm **Screws(bb)**
OR
- If NO Stud is present behind the wall:
drill $\Phi 1/4"$ (6mm) holes and insert the **Wall Anchors(aa)** and use the ST4.0x30mm **Screws(bb)**.

18 Install the Upper Guide Rail(I)

NOTE

1. Take out the **Guide Rail Brackets(H)** bottom cap as Fig.a .
2. Secure the bottom cap with **Screws(bb)** as Fig.b .
3. Attach the **Guide Rail Brackets(H)** to the **Upper Guide Rail(I)** as Fig.c .
4. Secure the **Upper Guide Rail(I)** to the **Stationary Glass(N)** with the **Glass Brackets(J)** as Fig.d .
5. Push the **Guide Rail Brackets(H)** onto the bottom cap as Fig.e .
6. Secure the **Guide Rail Brackets(H)** with a hex wrench as Fig.f .



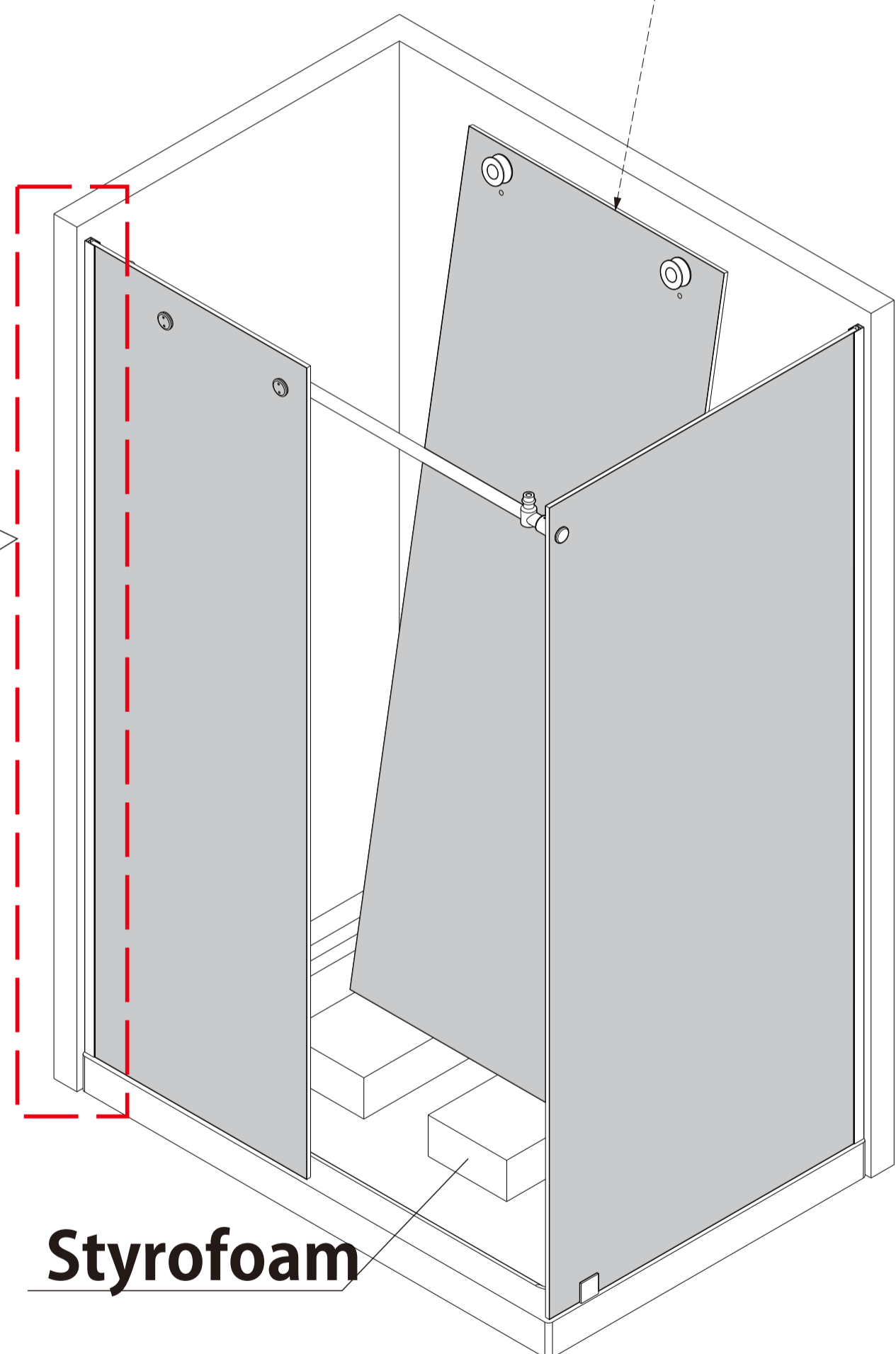
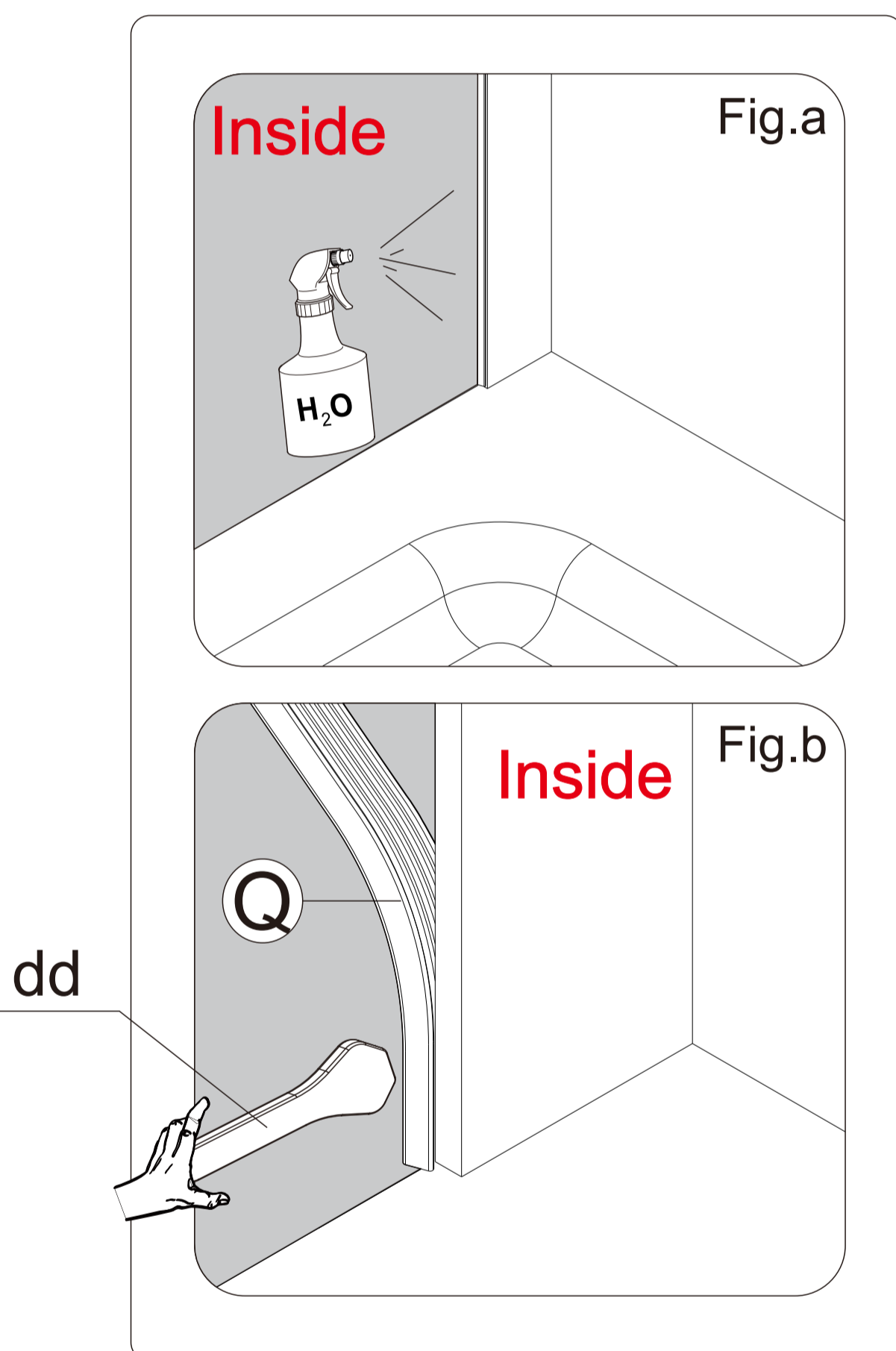
CAUTION: Do not put glass directly on the ground

19 Insert Wedge Seal(Q)

NOTE

1. Spray water on the **Stationary Glass(N)** and the slot of **Wall Jamb(L)** as Fig.a.
2. Insert in the **Wedge Seal(Q)** Using the given Wedge seal install tool to press the **Wedge seal(Q)** and Fit it place as Fig.b.

Lay the glass on a soft padded surface!



Note: The shower door can be installed left or right, according to the need to determine the installation direction.



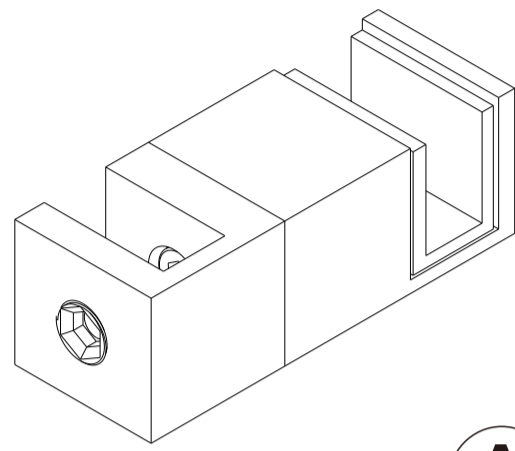
CAUTION: Do not put glass directly on the ground

20 Tips & Tricks

NOTE

Adjust the direction of the **Guide Block(A)** according to the installation direction of the shower room as Fig.a-f

Fig.a



Left

A

Fig.d

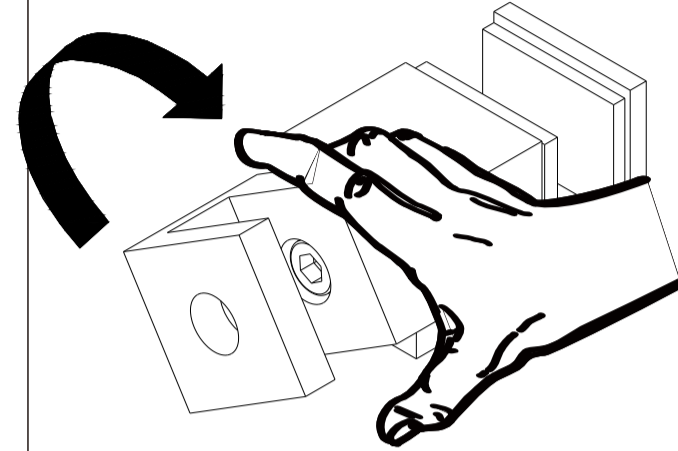


Fig.b

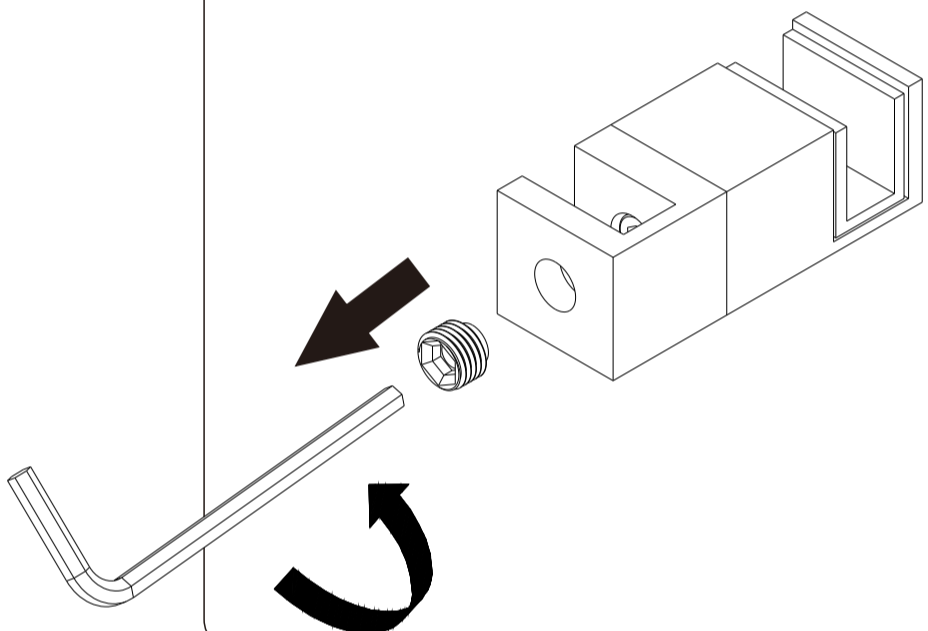


Fig.e

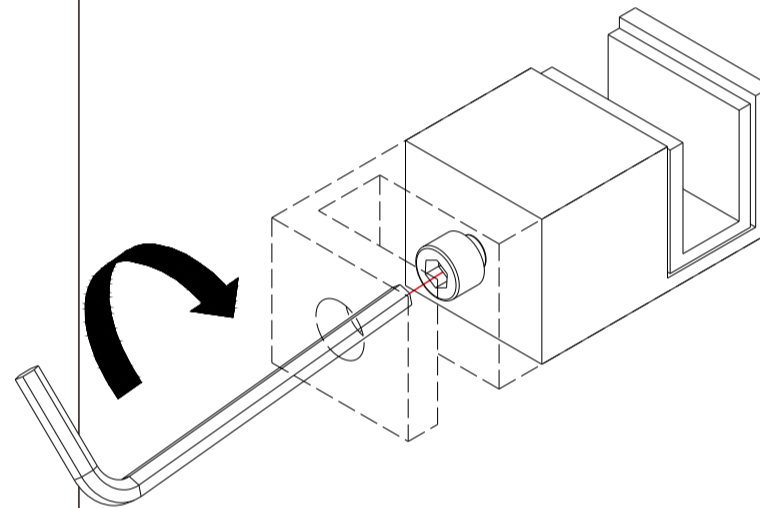


Fig.c

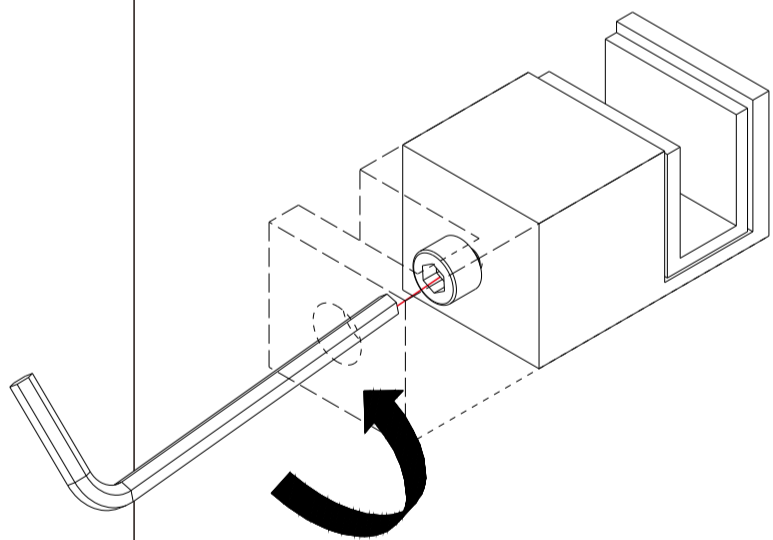


Fig.f

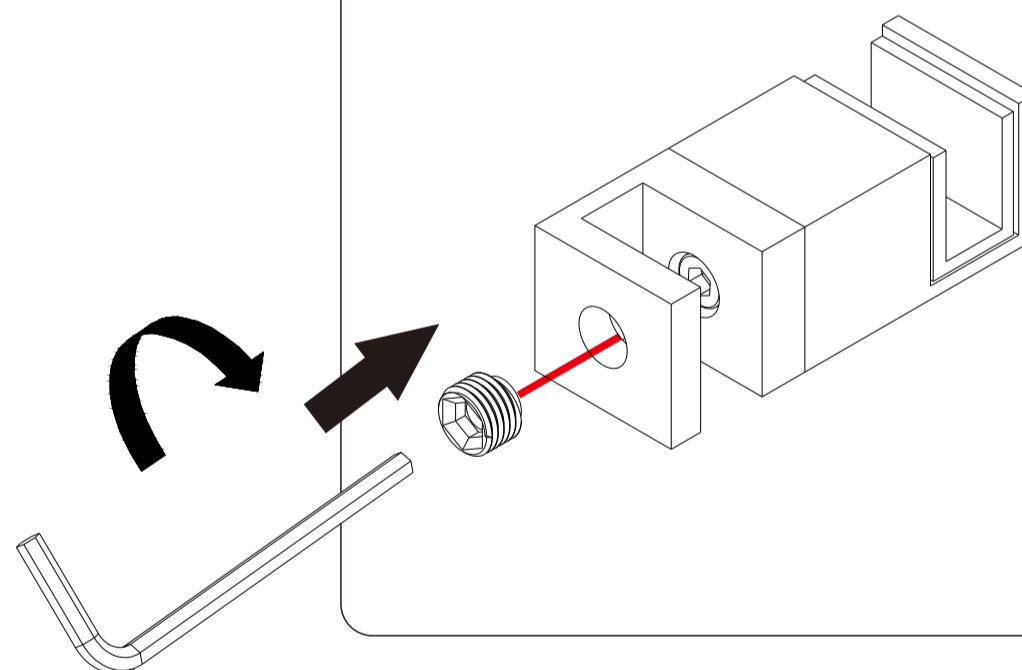
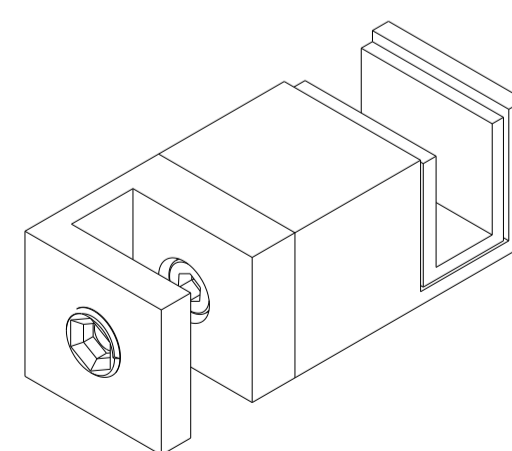


Fig.g



Right

A

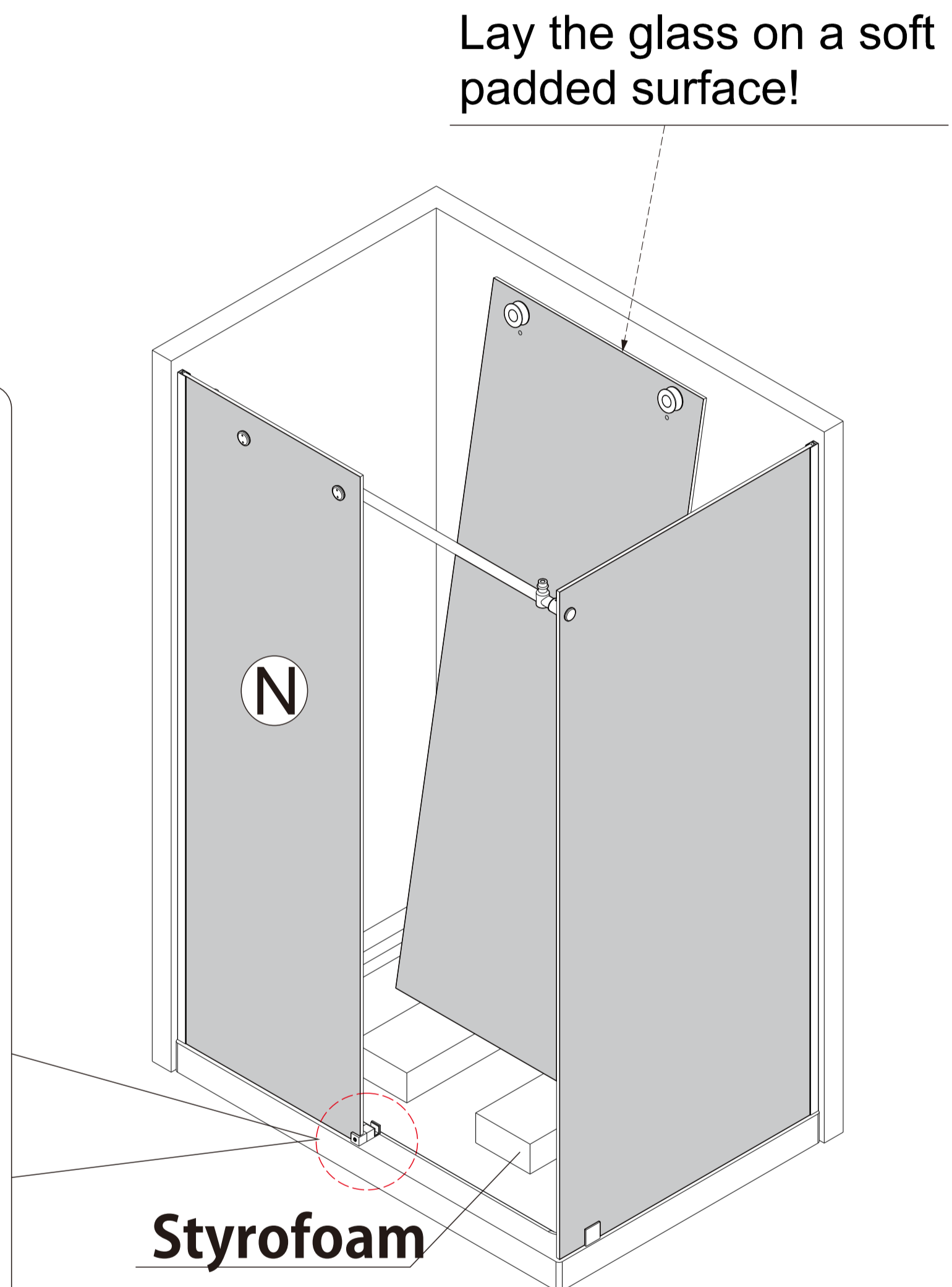
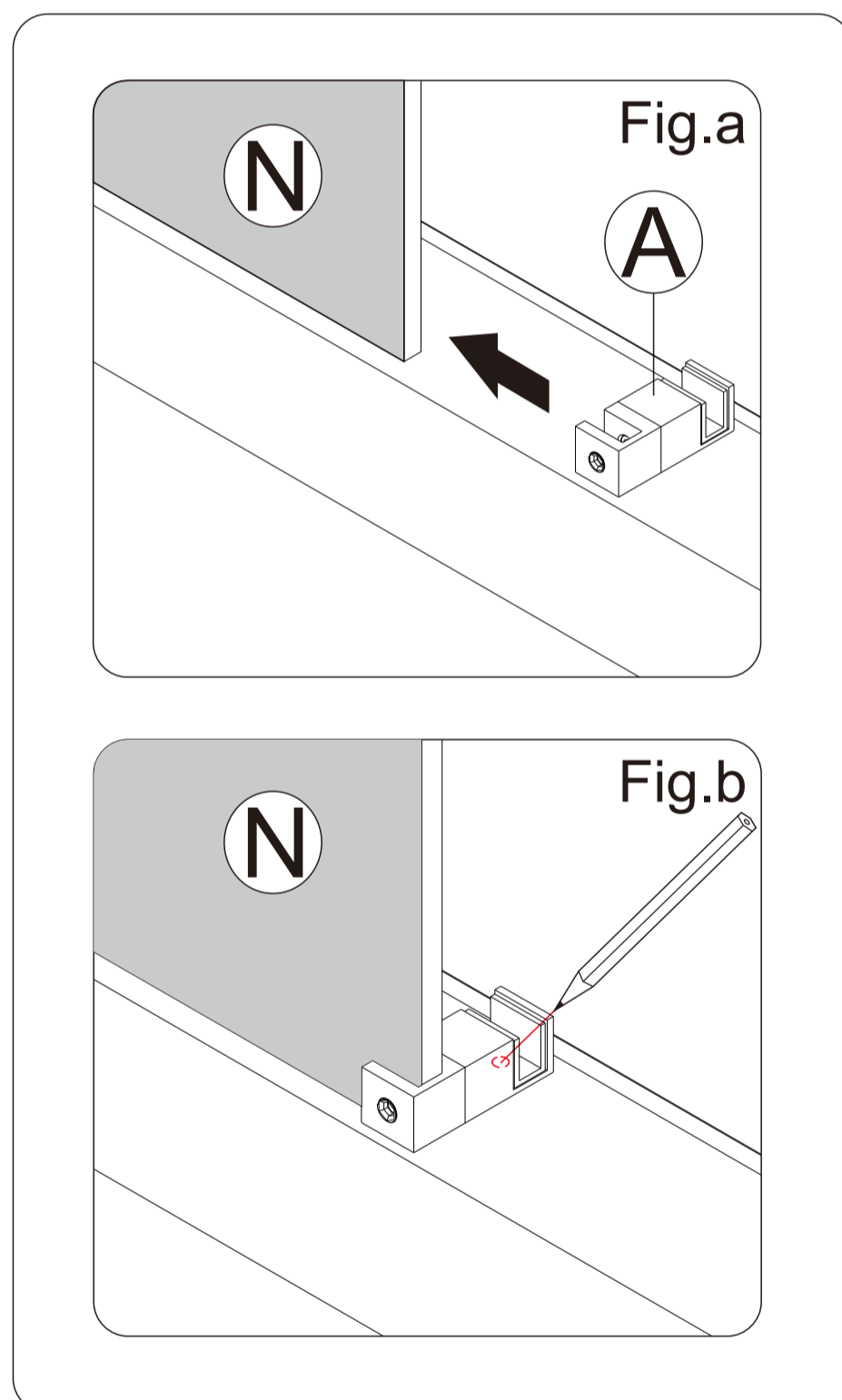


Note: The shower door can be installed left or right, according to the need to determine the installation direction.

21 Mark the holes in the **Guide Block(A)**

NOTE

1. Install the **Guide Block(A)** on the **Stationary glass(N)** as Fig.a .
2. Mark the holes in the **Guide Block(A)** with a pencil as Fig.b .

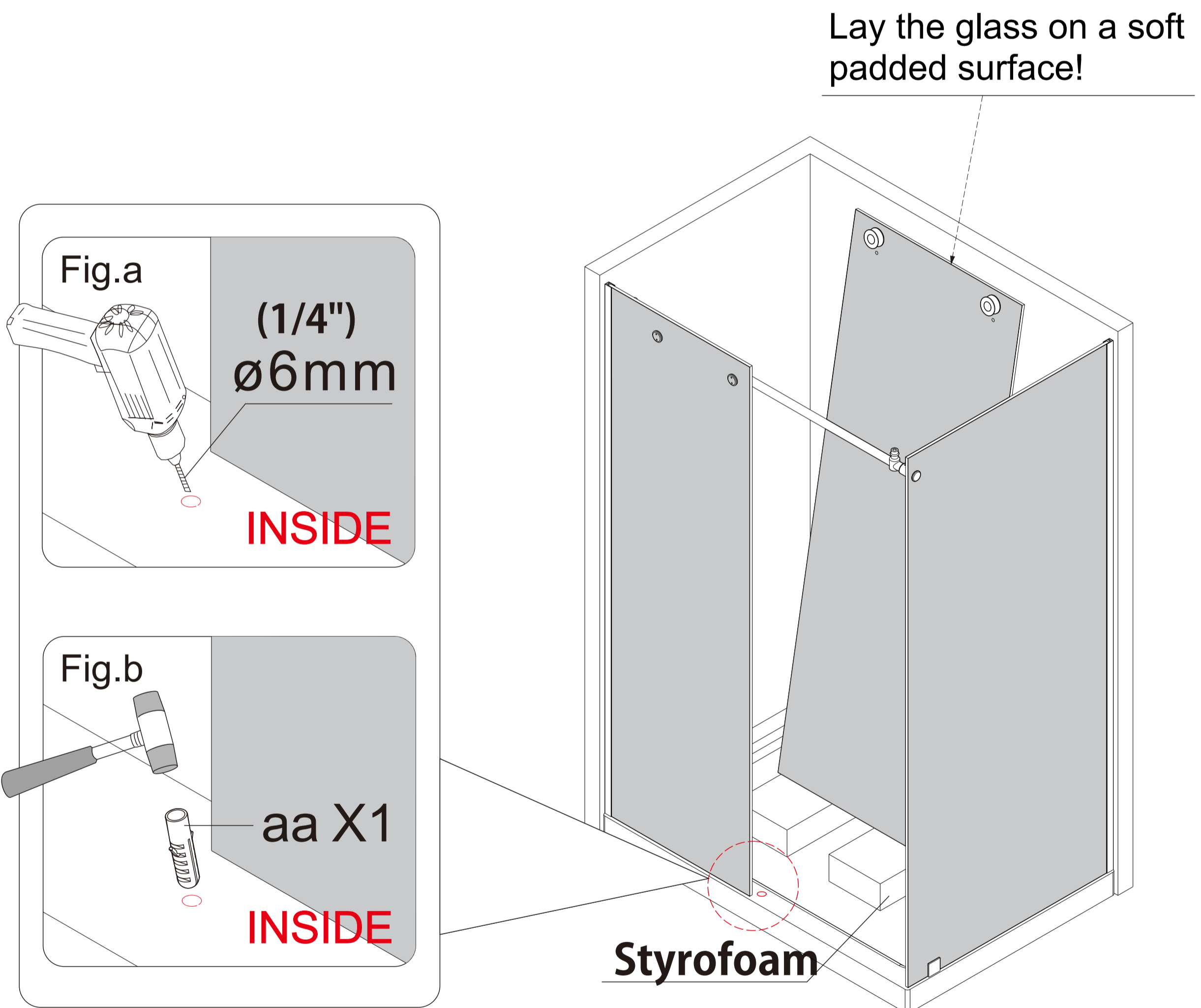


Note: The shower door can be installed left or right, according to the need to determine the installation direction.

22 Insert **Wall Anchors(aa)**.

NOTE

1. Drill holes with $\Phi 6\text{mm}$ (1/4") drill bit as Fig.a .
2. Insert **Wall Anchors(aa)** as Fig.b .



Note: The shower door can be installed left or right, according to the need to determine the installation direction.

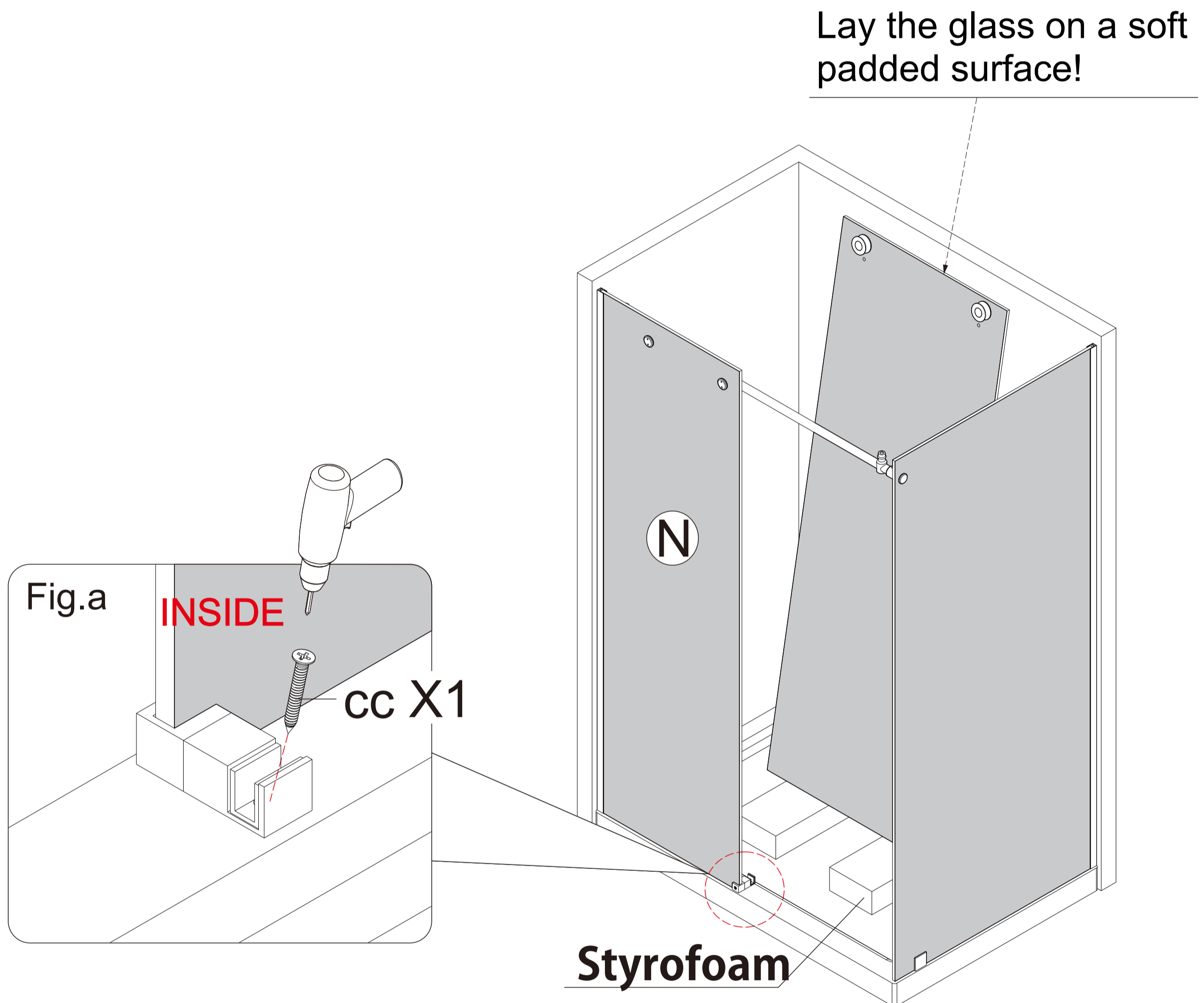


CAUTION: Do not put glass directly on the ground

23 Install Guide Block(Q)

NOTE

Secure the **Guide Block(Q)** with **Screws (cc)** as Fig.a .



Note: The shower door can be installed left or right, according to the need to determine the installation direction.

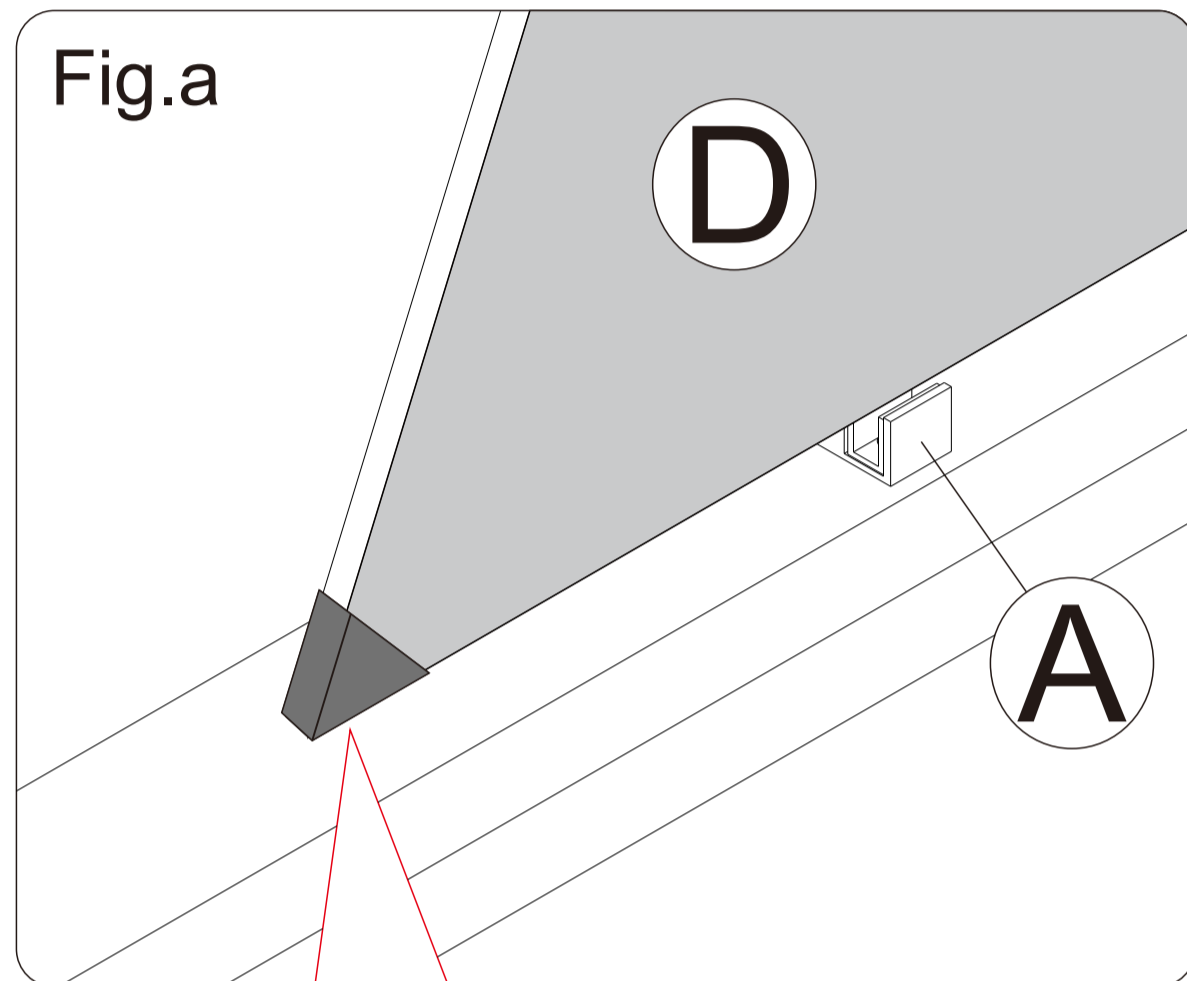
24 Install Glass Door(D)

NOTE

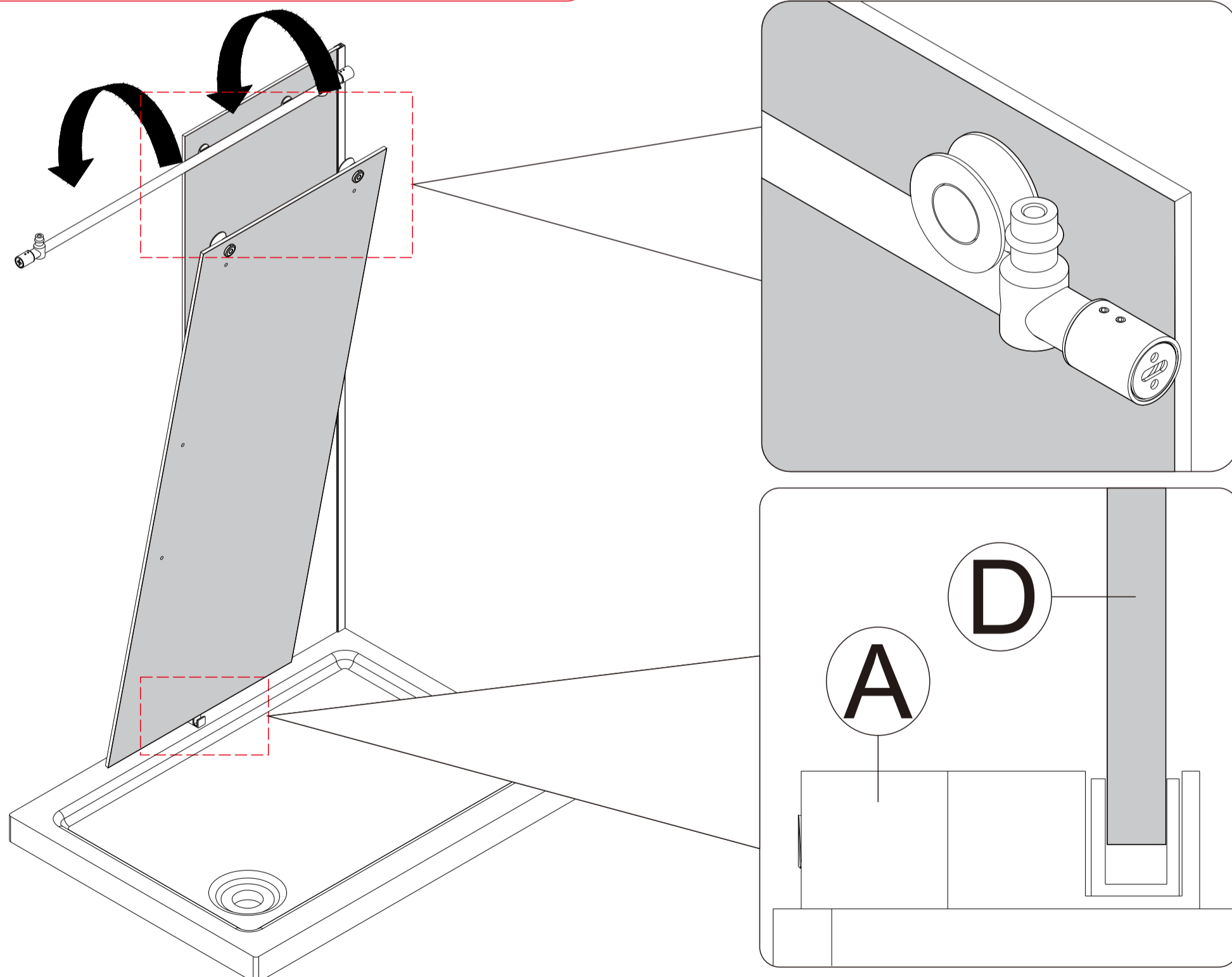
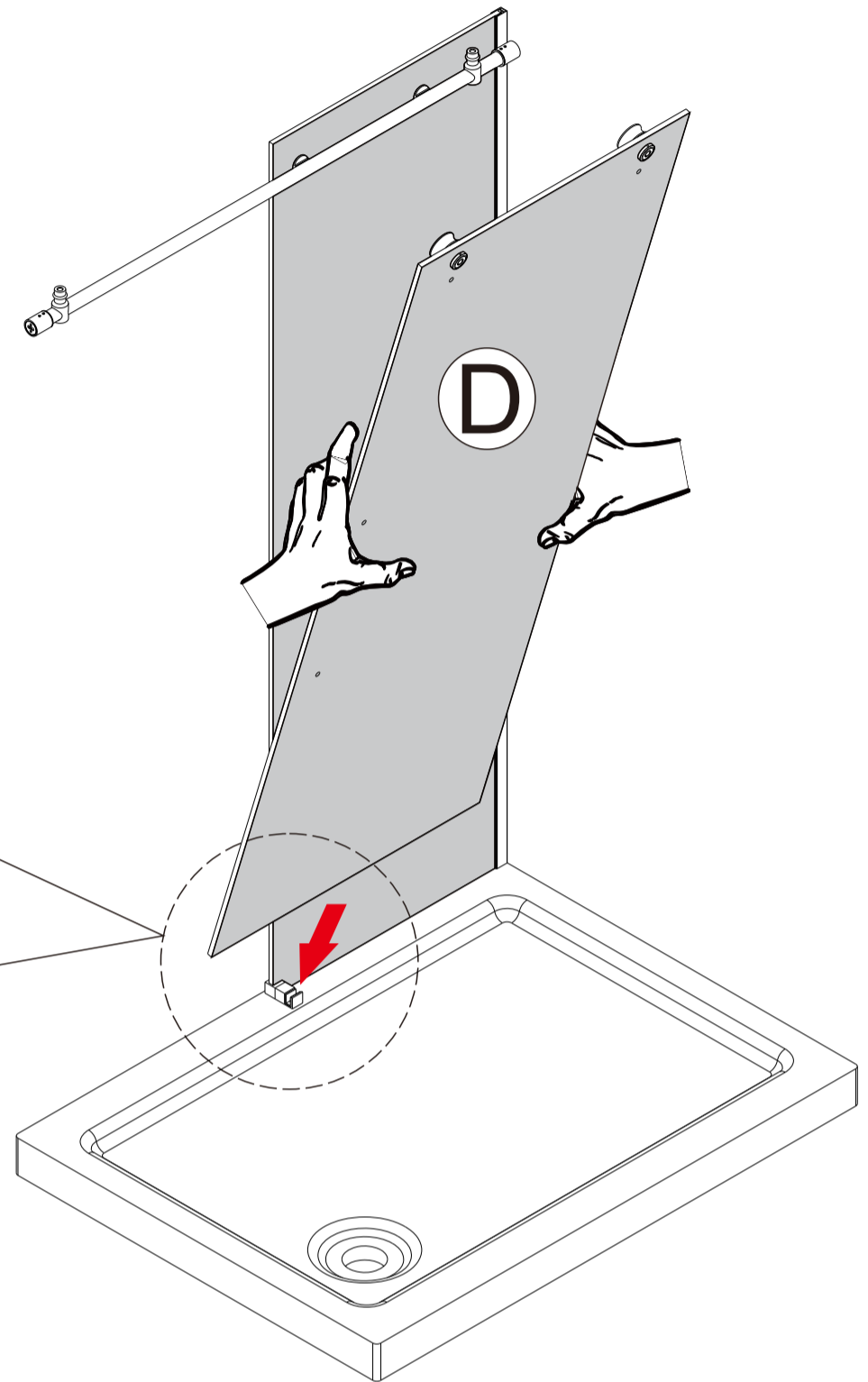
The **Glass Door (D)** is aligned with the **Guide Block(A)**, the **Rollers (G)** is hung on the **Upper Guide Rail (I)**, and the glass is inserted into the **Guide Block (A)** as Fig.a & Fig.b and Fig.c .



CAUTION: Do not put glass directly on the ground



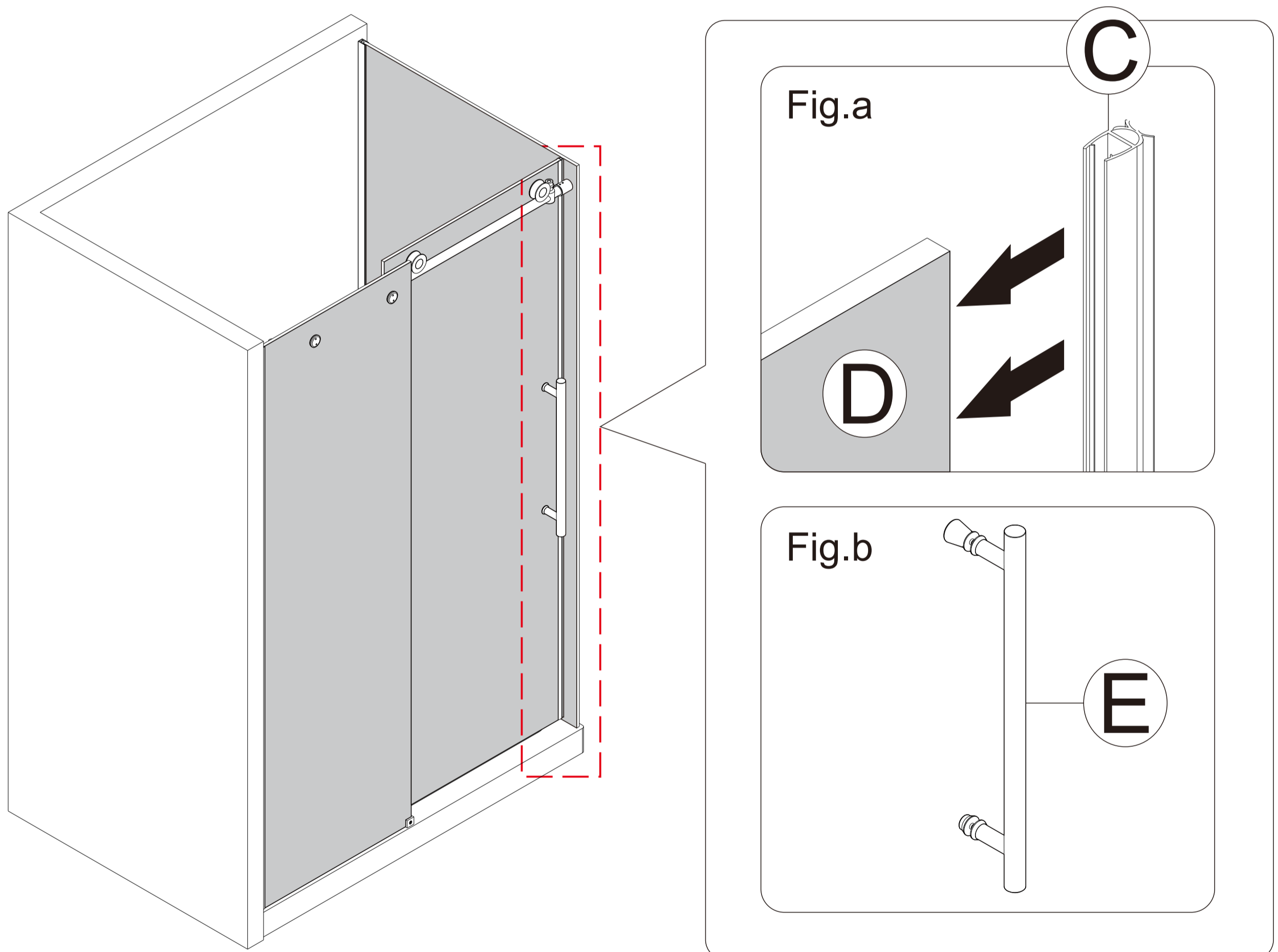
The glass corner protector needs to be placed on the glass to avoid breaking the glass



25 Install the **Bumper Strip(C)** and **Handles(E)**

NOTE

1. Install the **Bumper Strip(C)** on the **Glass Door(D)** as Fig.a .
2. Install the **Handle(E)** on the **Glass Door(D)** as Fig.b .

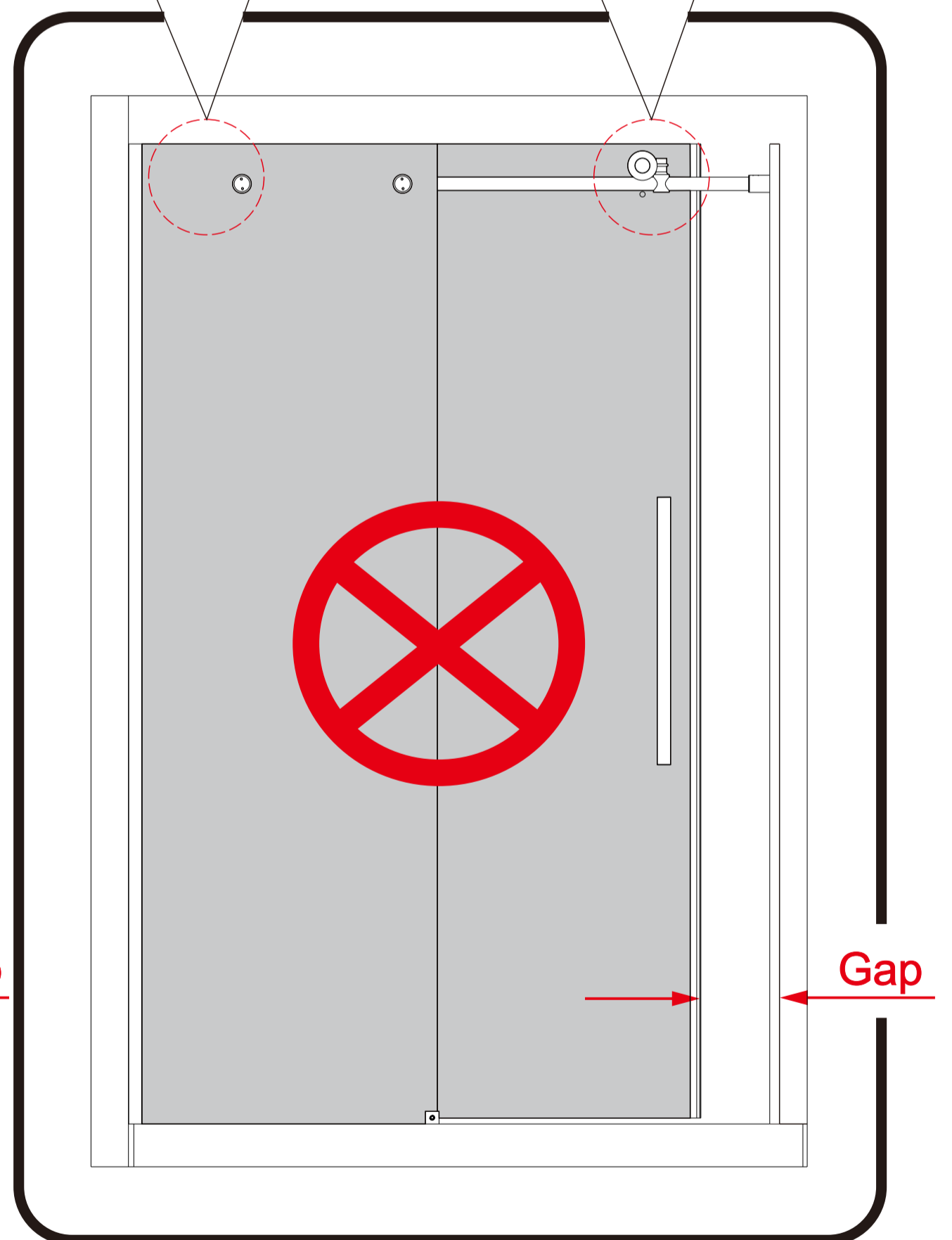
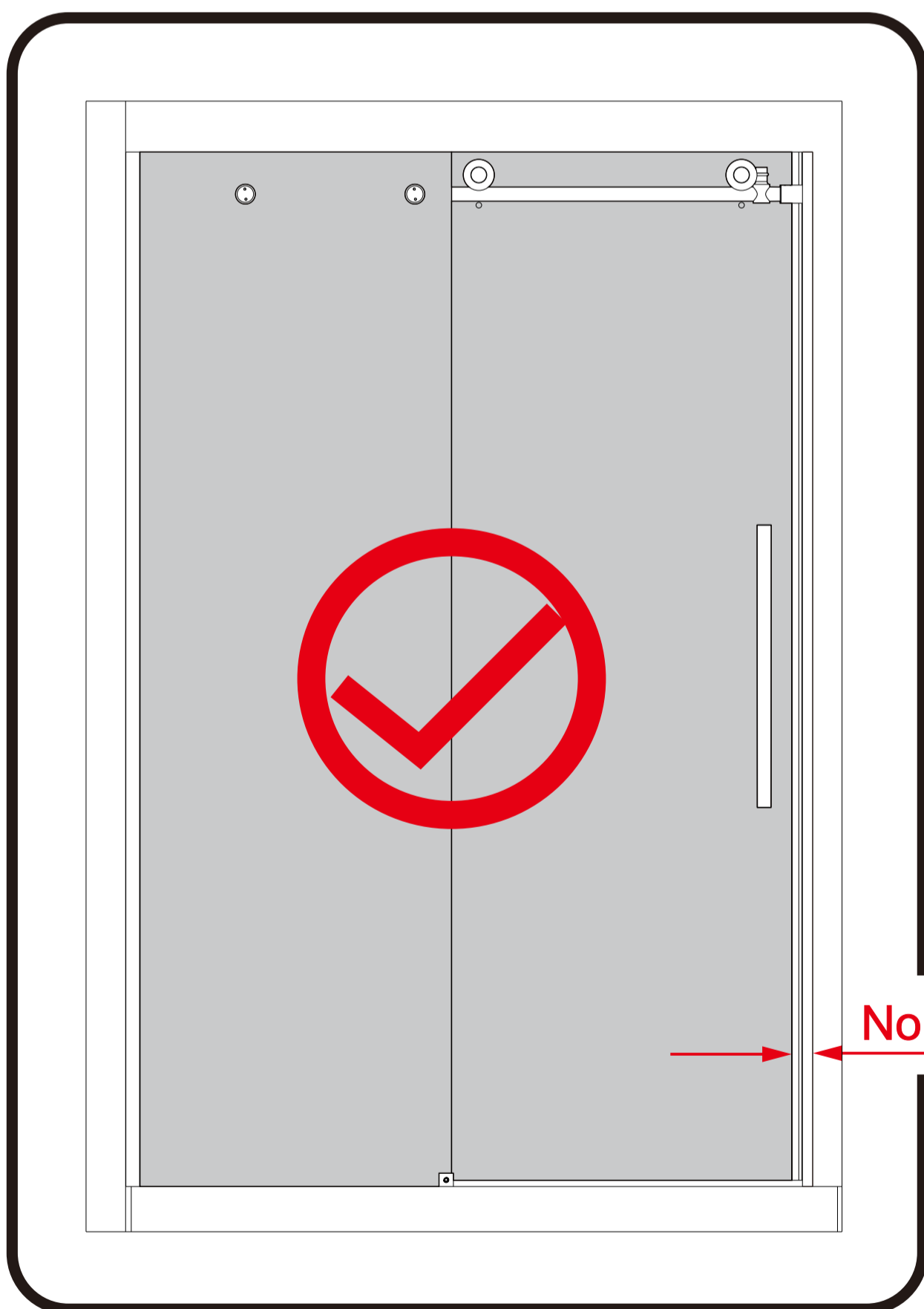
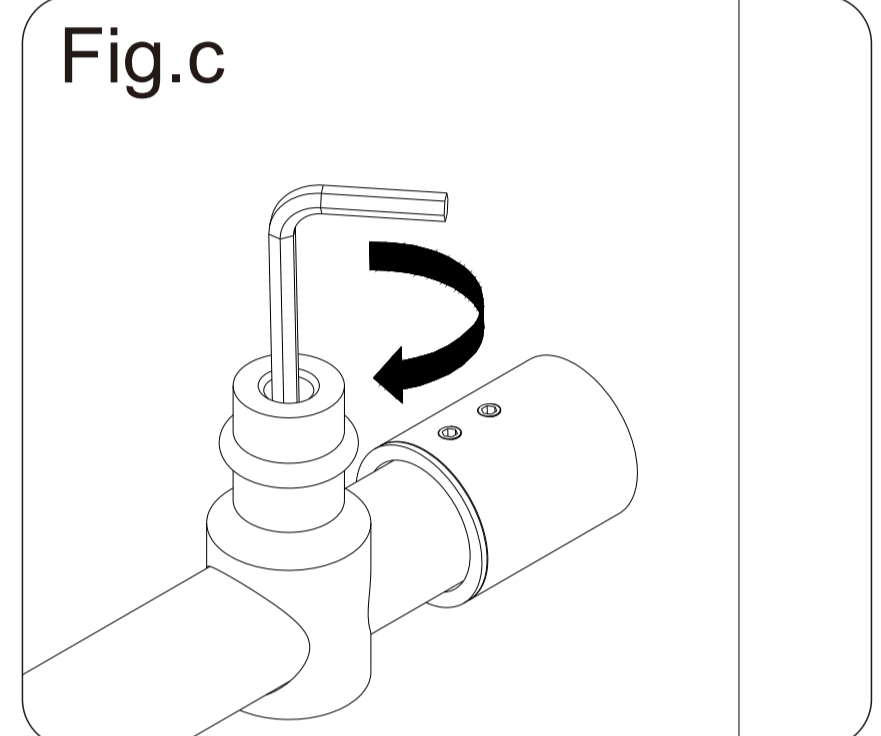
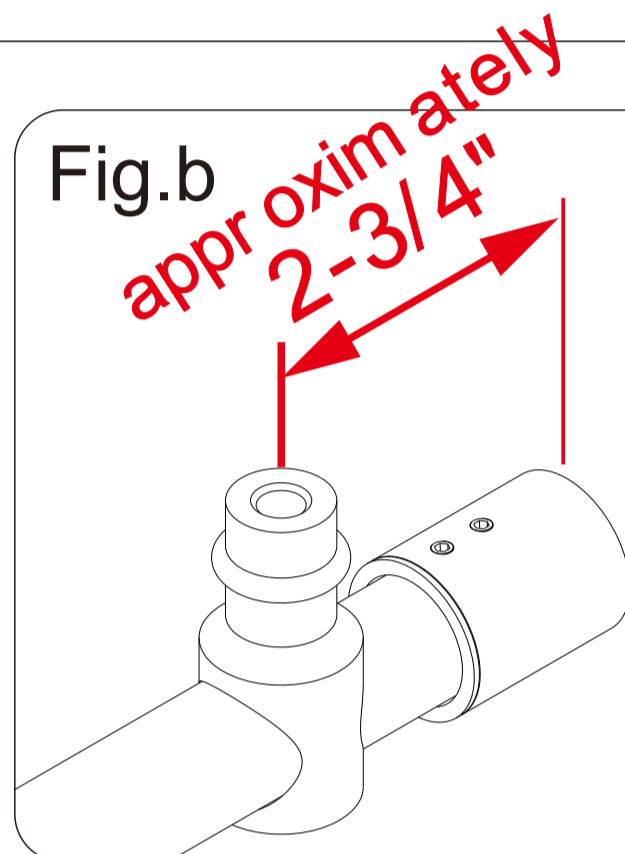
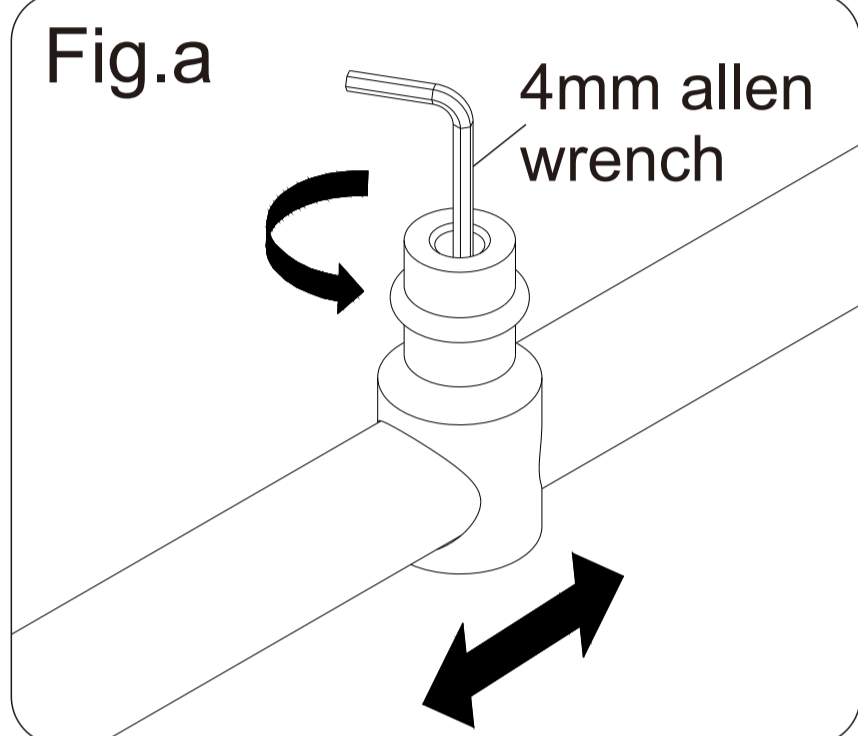


Note: The shower door can be installed left or right, according to the need to determine the installation direction.

26-1 Adjustment(Seamless and no adjustments required)

NOTE

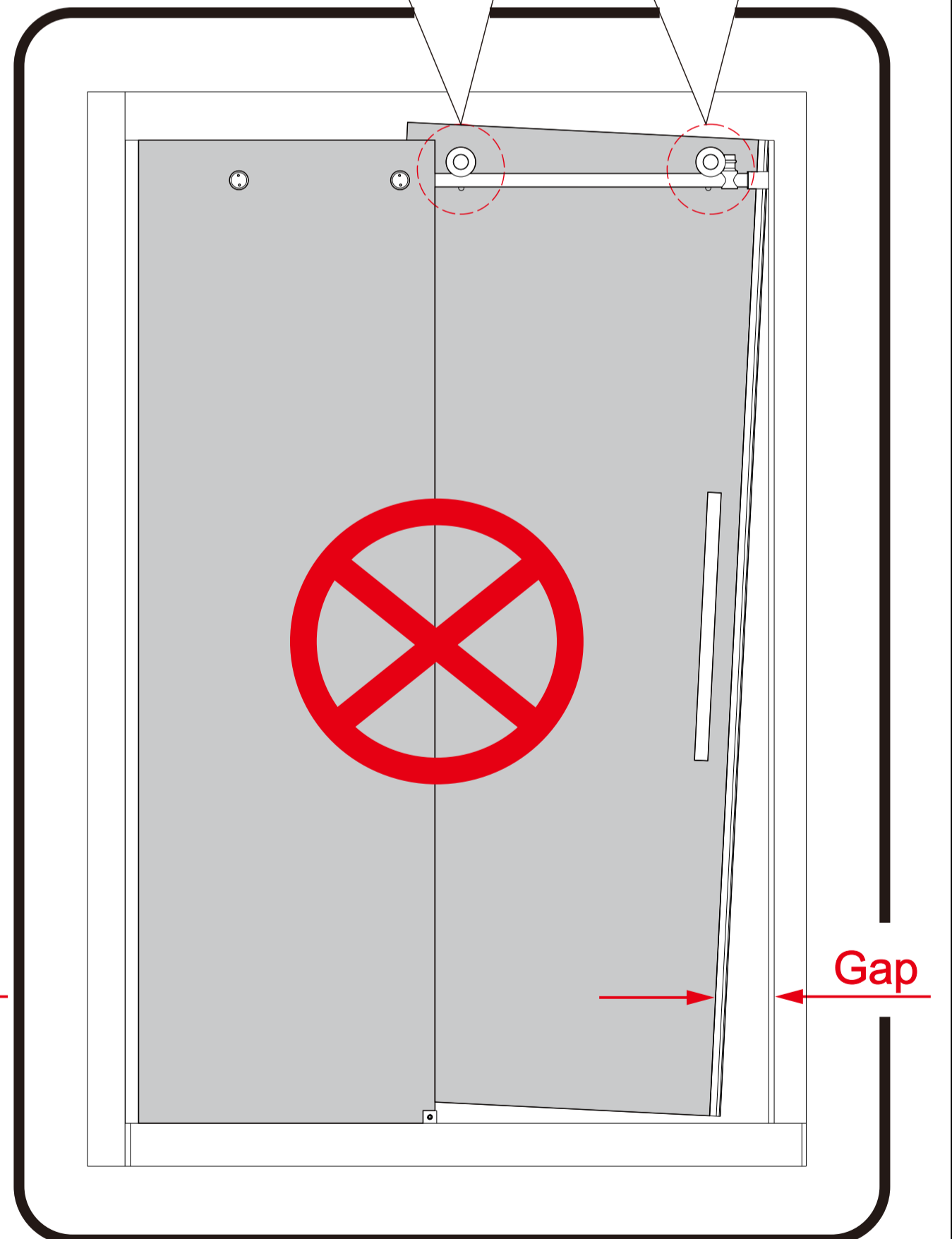
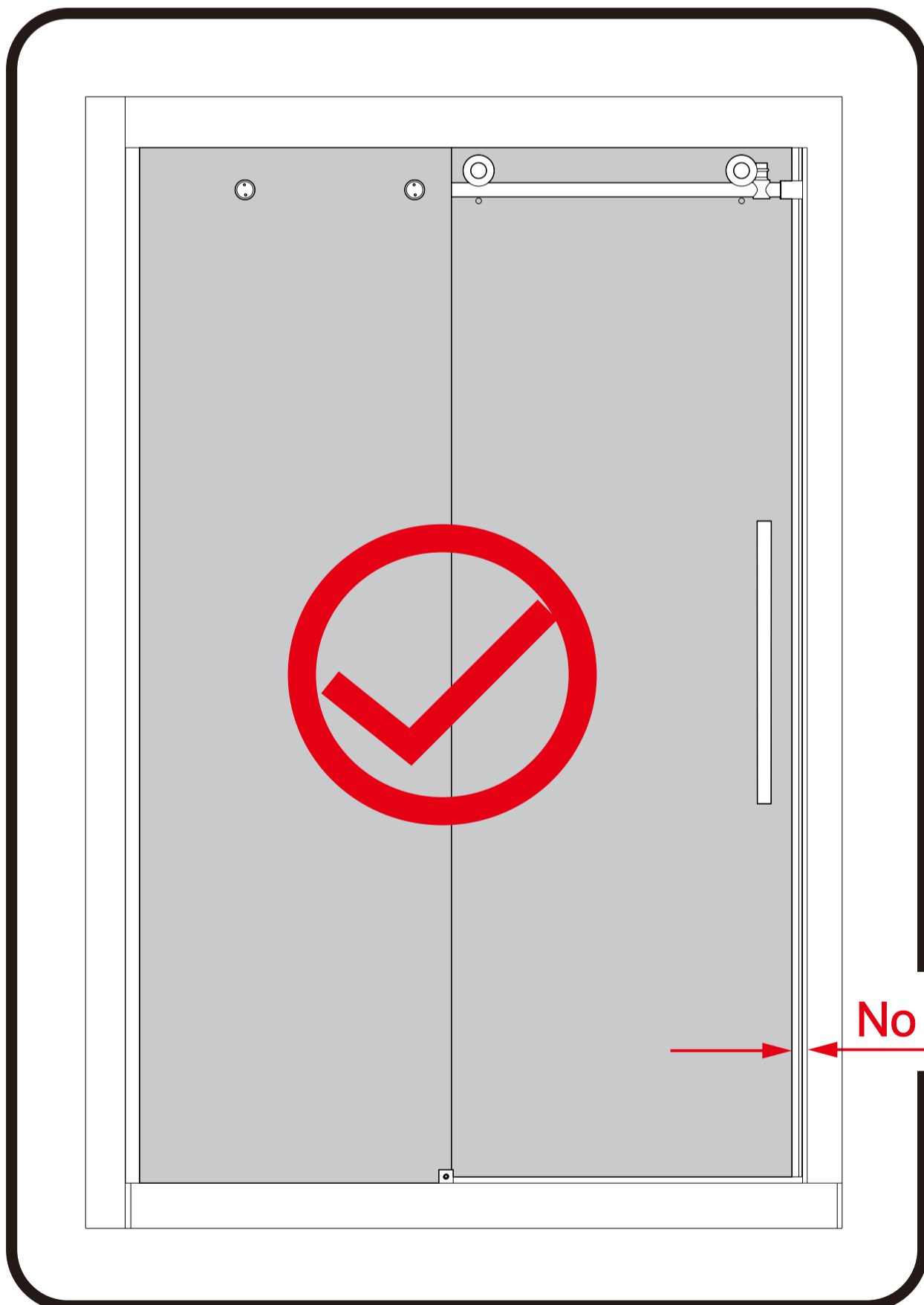
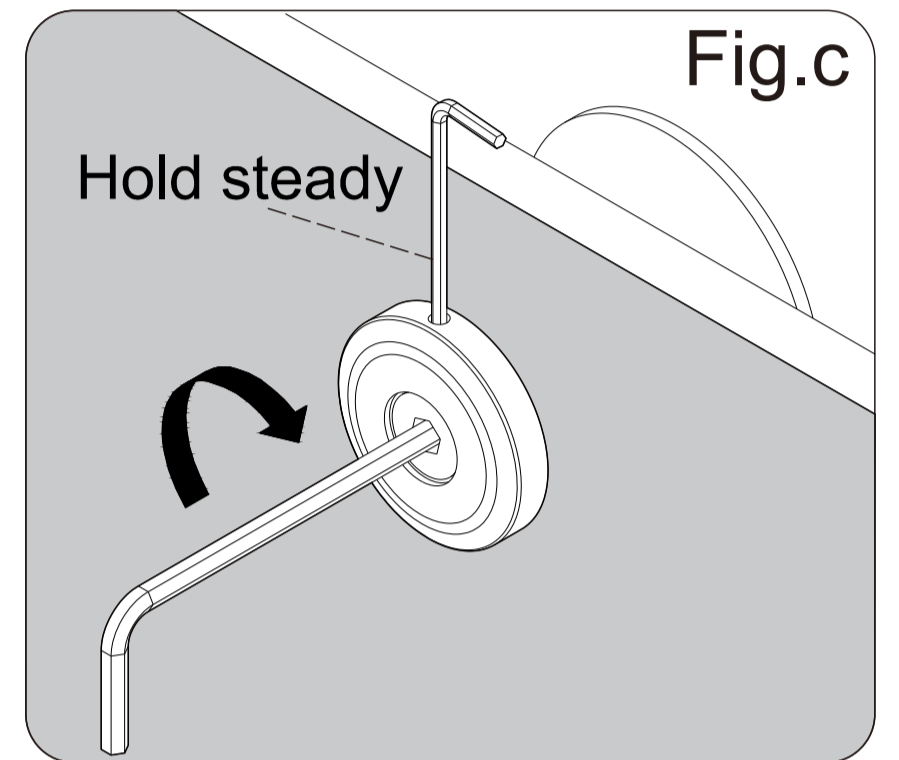
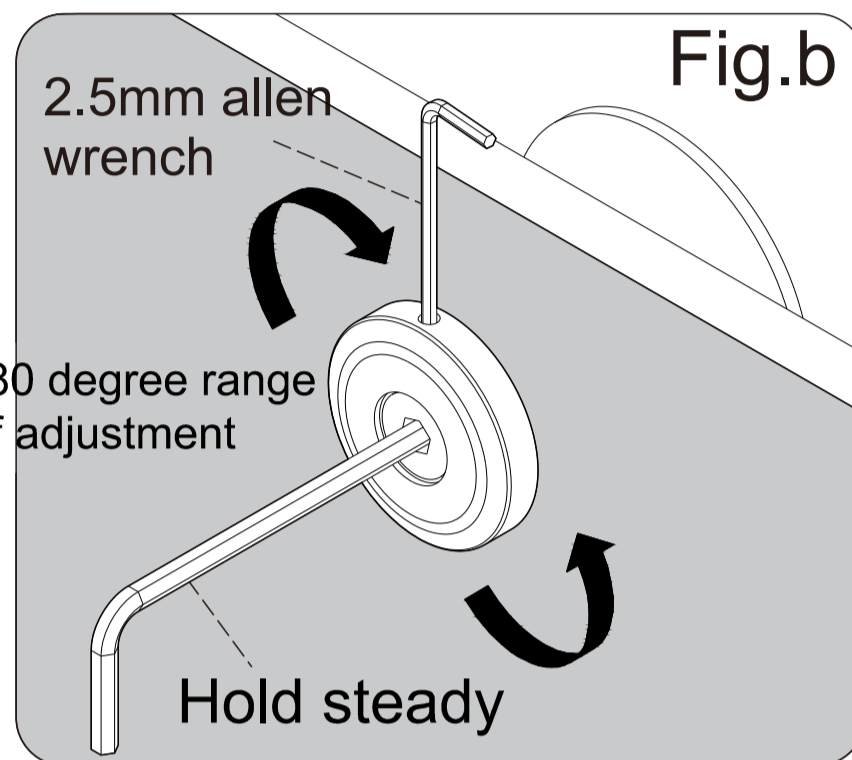
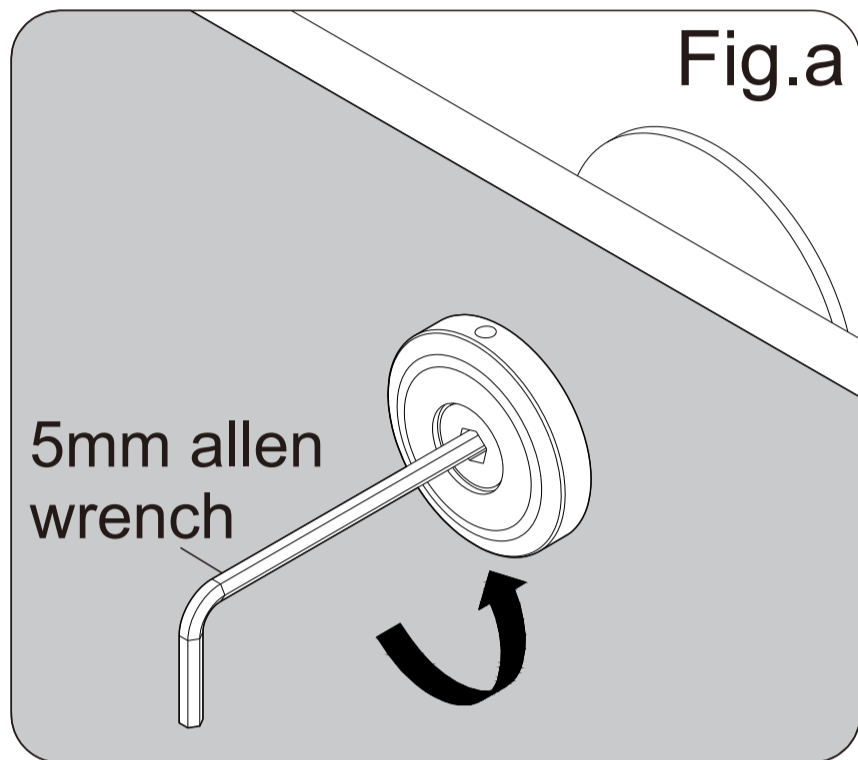
1. Use a hex wrench to loosen the **Door Stoppers(K)** as Fig.a .
2. Adjust the **Door Stoppers(K)** to a distance of approximately 2-3/4 inches from the **Return panel glass(R)** as Fig.b .
3. Use a hex wrench to lock the **Door Stoppers(K)** as Fig.c .



26-2 Adjustment(Seamless and no adjustments required)

NOTE

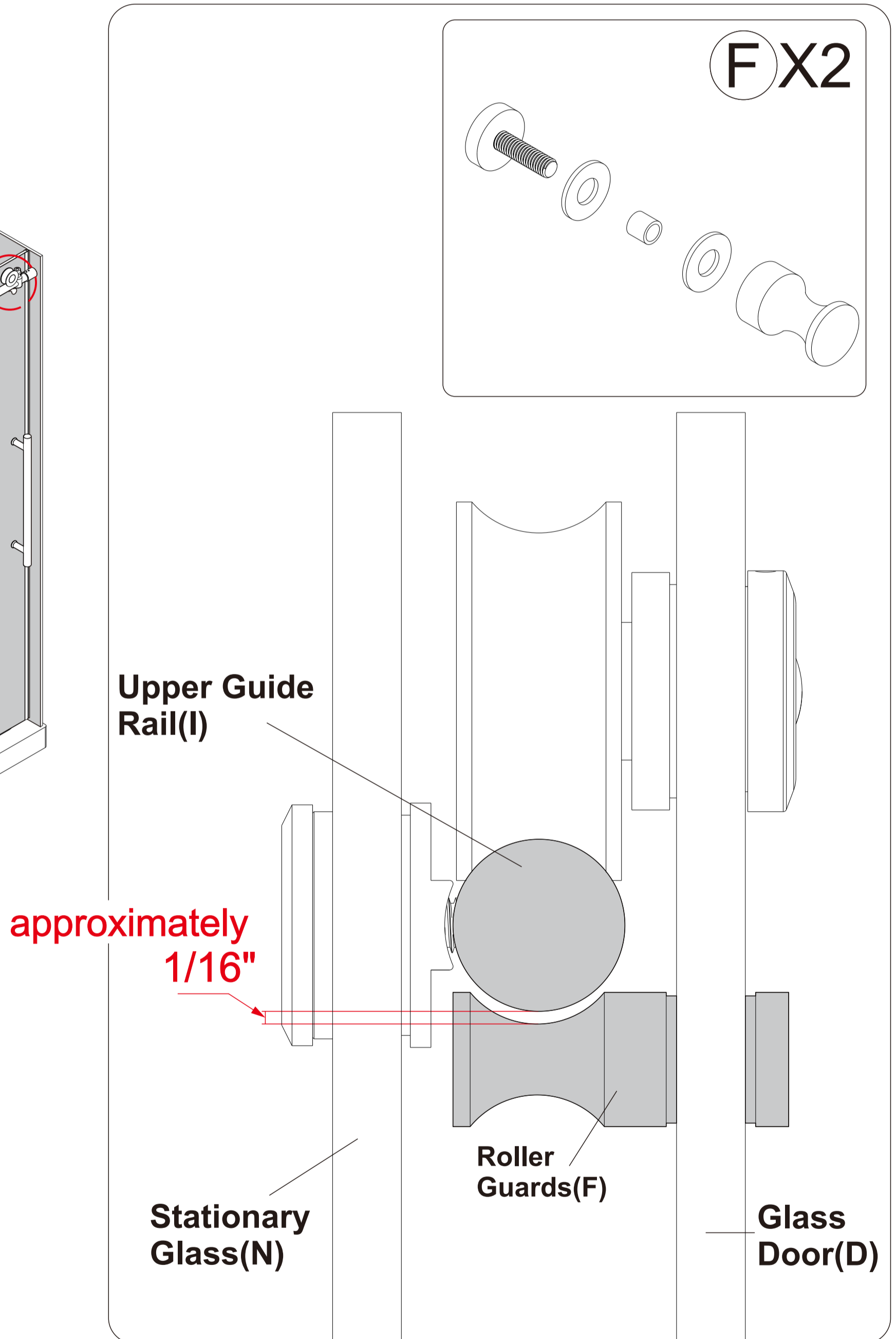
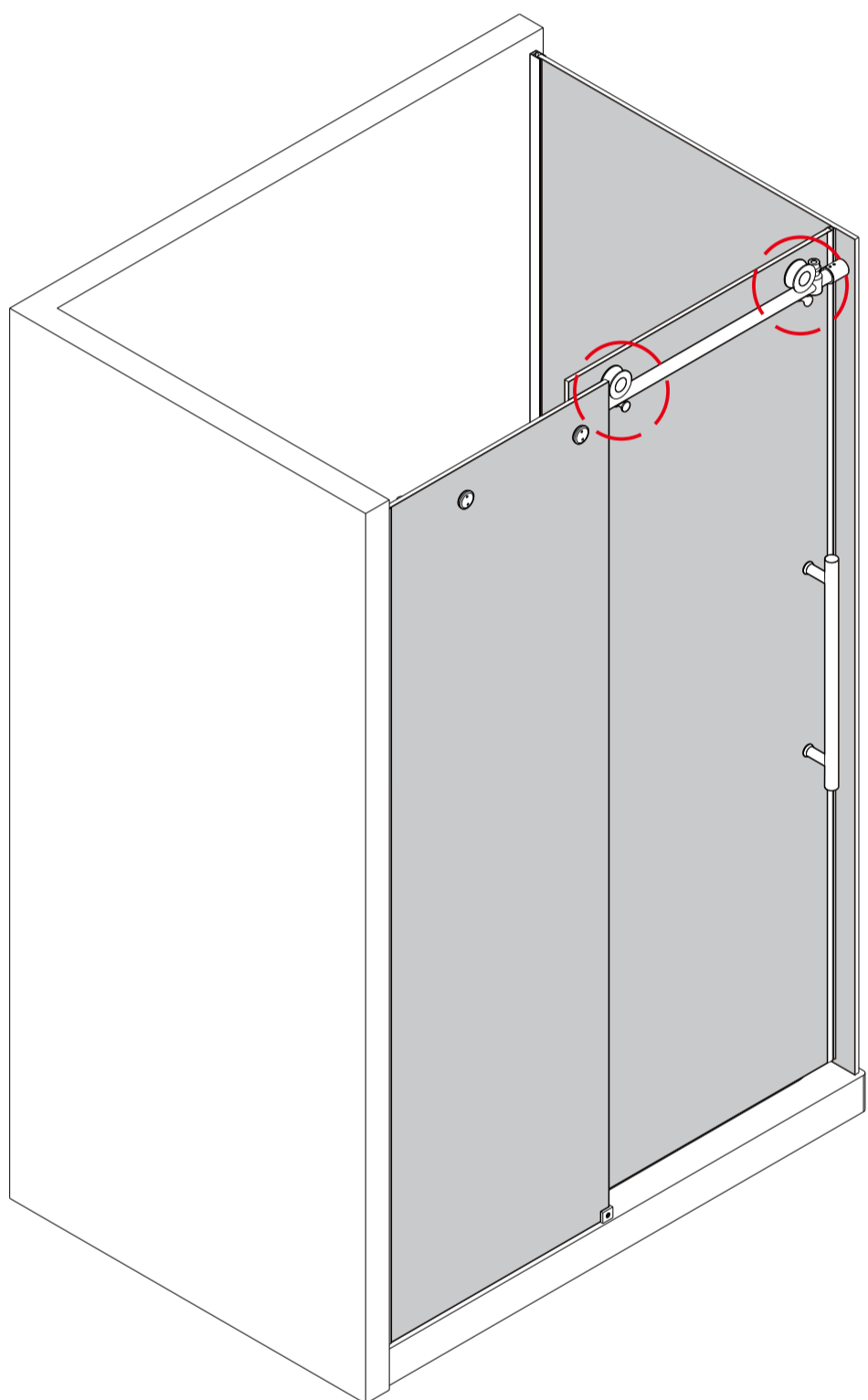
Adjust the **Rollers (G)** with a hex wrench so that the **Bumper Strip (C)** is flush with the **Return panel glass(R)** as Fig.a & Fig.b and Fig.c .



27 Install the **Roller Guards(F)**

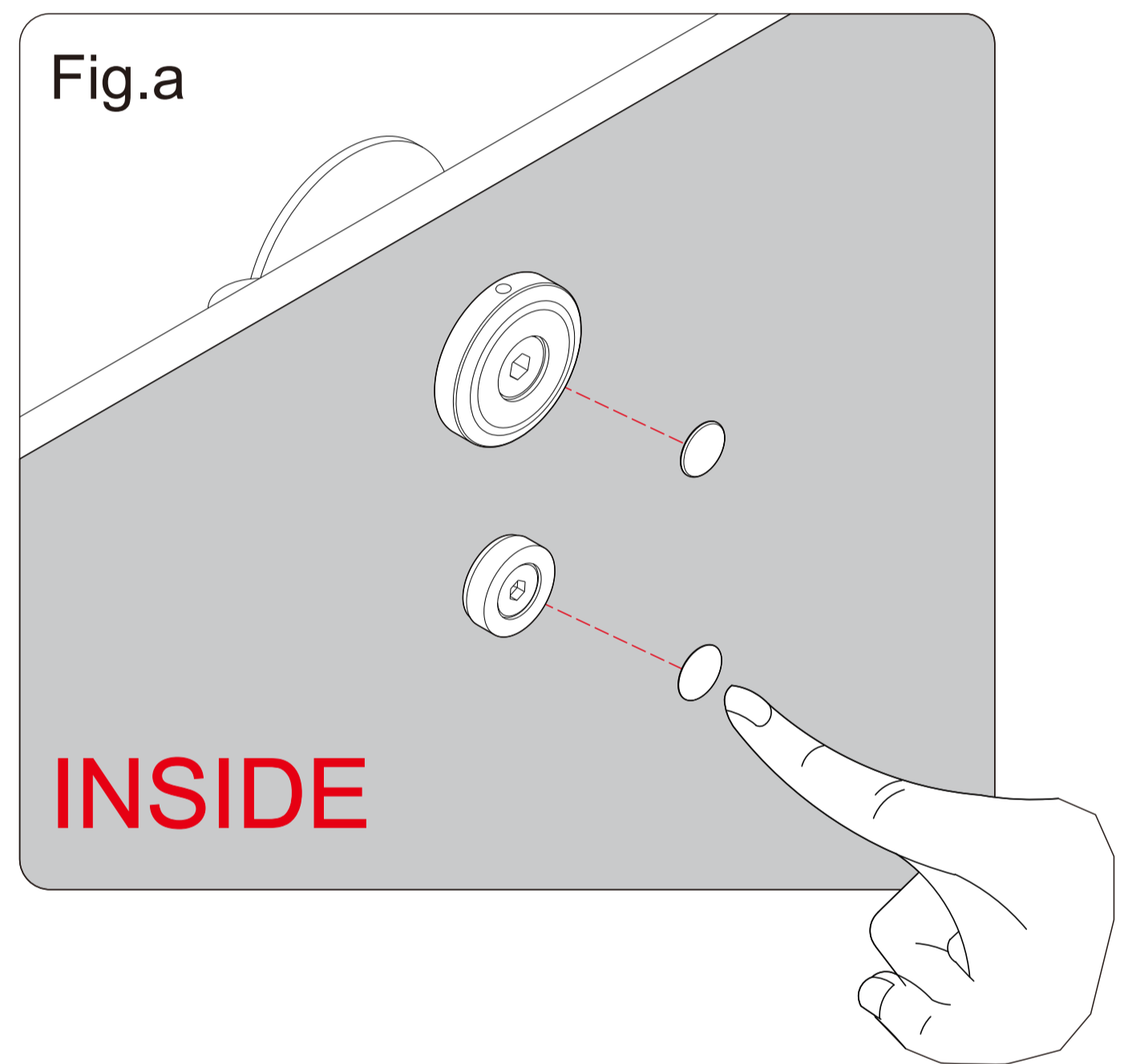
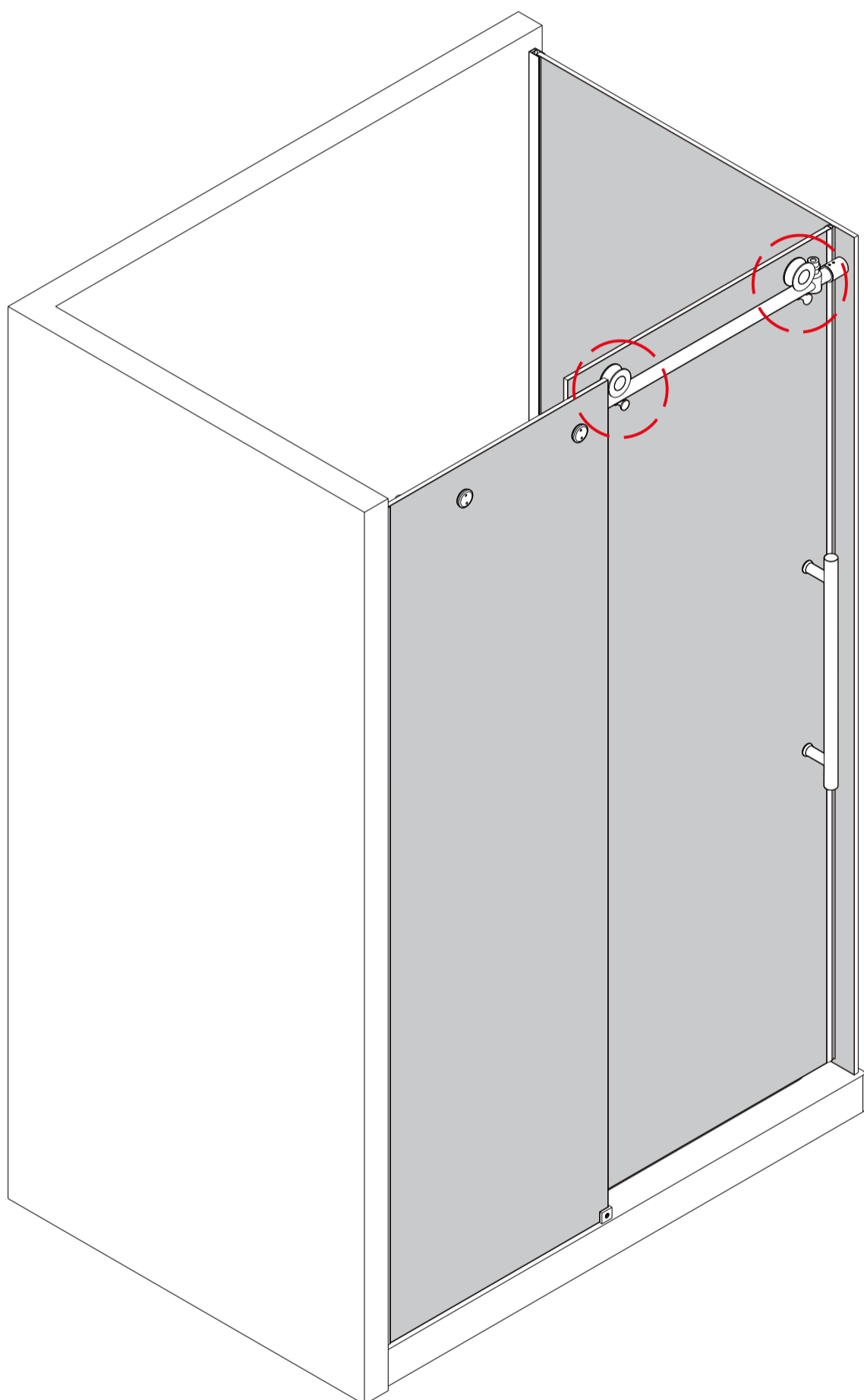
NOTE

1. Install the **Roller Guards(F)** on the **Glass Door (D)** to prevent the **Glass Door (D)** from falling off, and adjust the **Roller Guards(F)** to a position about 1/16" away from the **Upper Guide Rail(I)** .



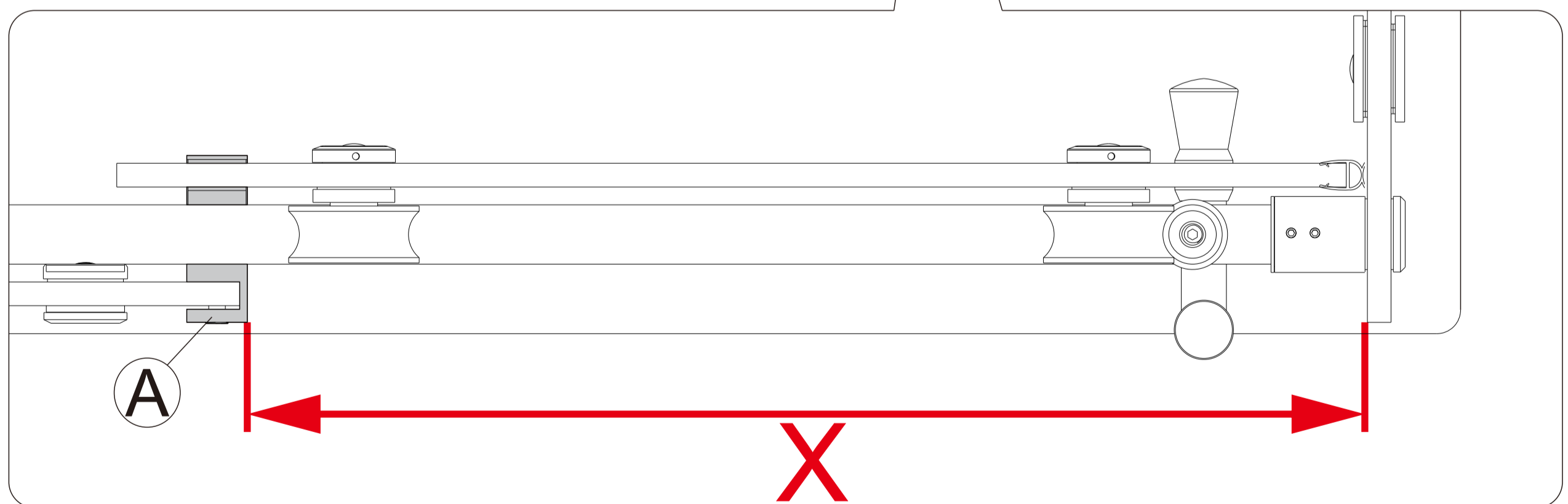
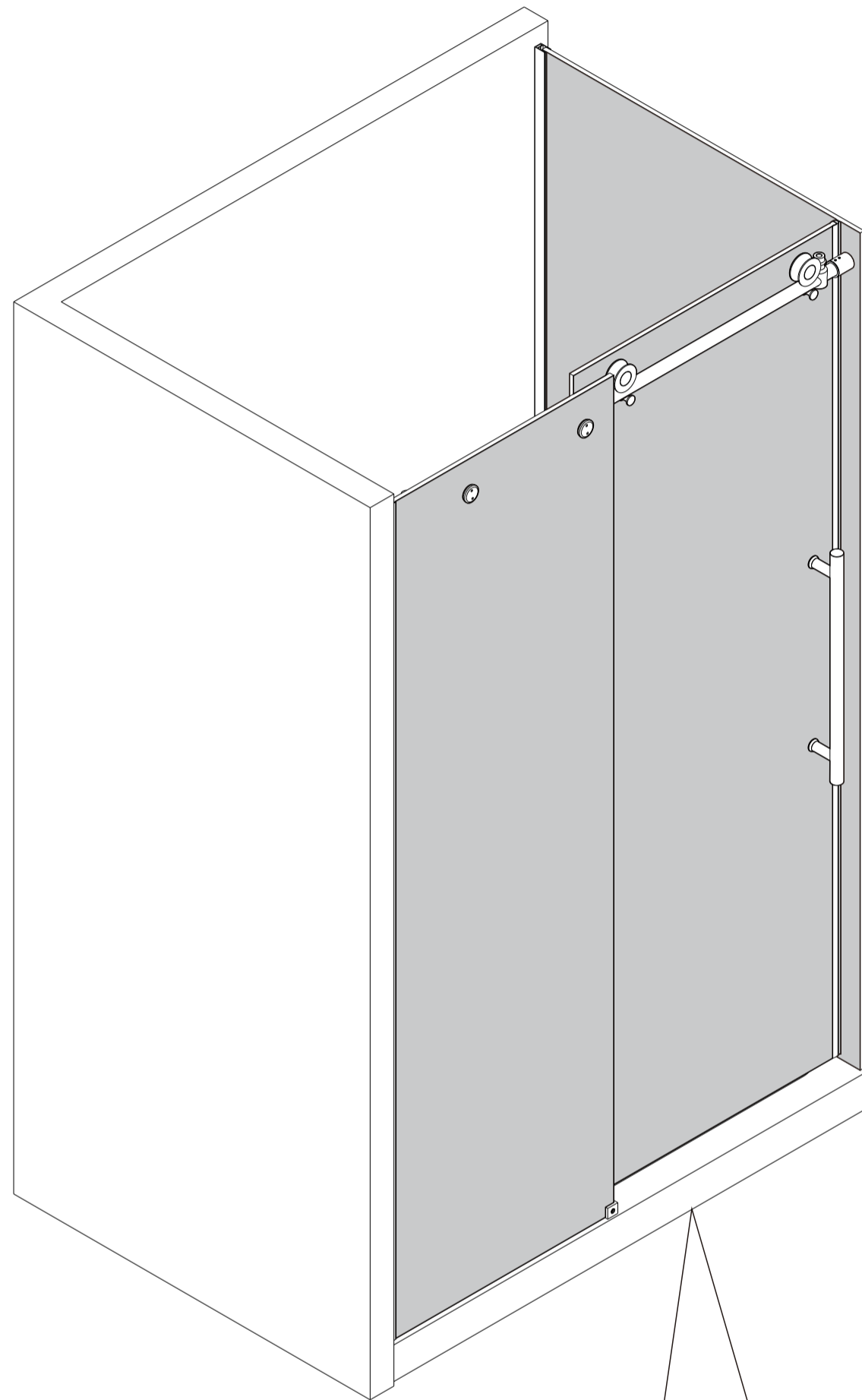
28 Install the decorative cover

NOTE 1. Install the decorative cover of the **Rollers(G)** and the **Roller Guards(F)** decorative cover as Fig.a .



29-1 Install the **Threshold(B)**

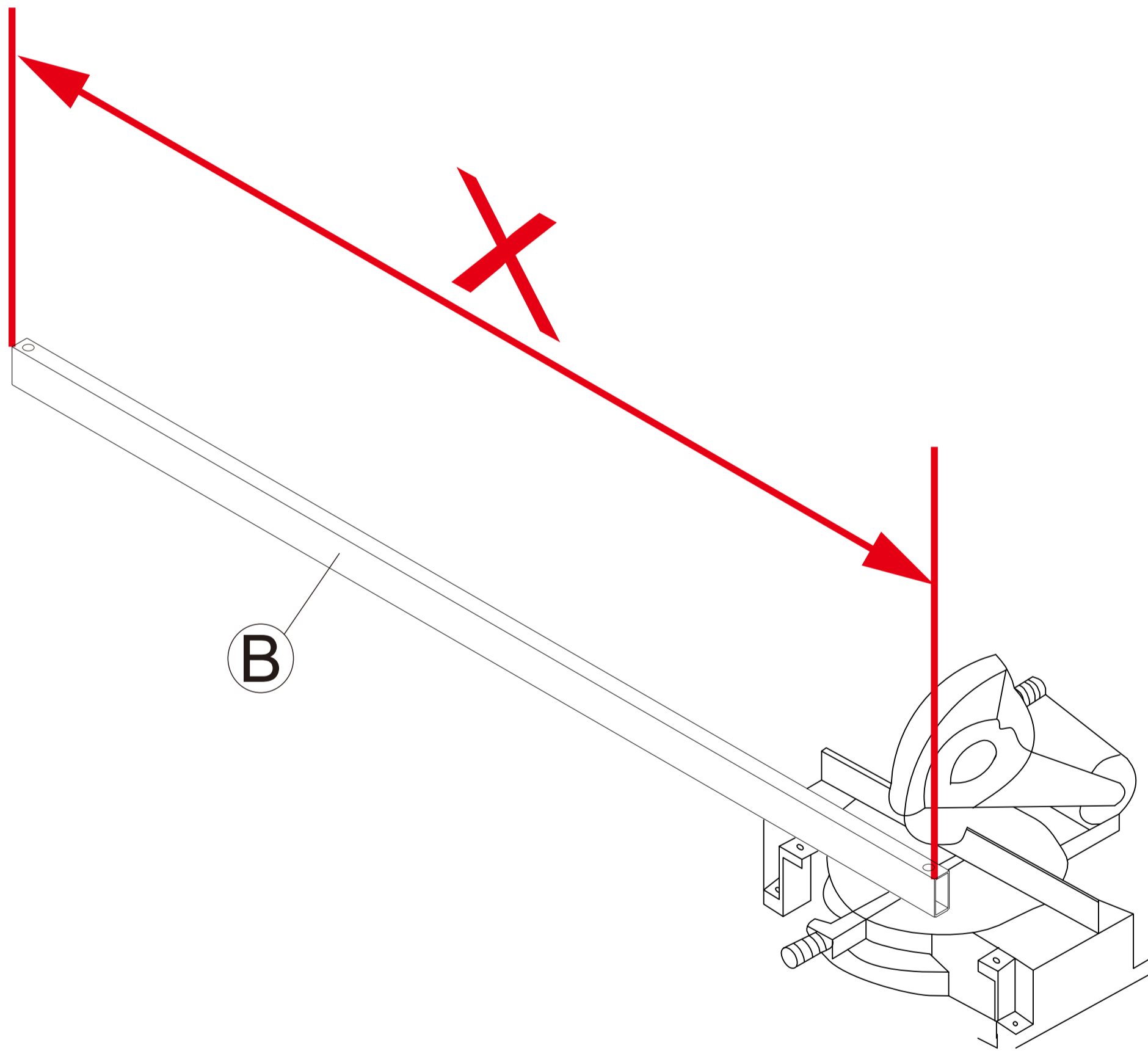
- NOTE** 1. Measure the dimensions between the **Guide Block (A)** slot and the **Return panel glass(R)** as Fig.a .



29-2 Install the **Threshold(B)**

NOTE

1. Cut the **Threshold(B)** to the corresponding size.
2. Only one side is cut, and there is no problem if the size is too small to leave a hole



29-3 Install Wall Anchor(aa)

NOTE

1. Mark the holes with a pencil as Fig.a .
2. Drill holes with $\Phi 6\text{mm}$ (1/4") drill bit as Fig.b.
3. Insert the **Wall Anchors(aa)** as Fig.c.

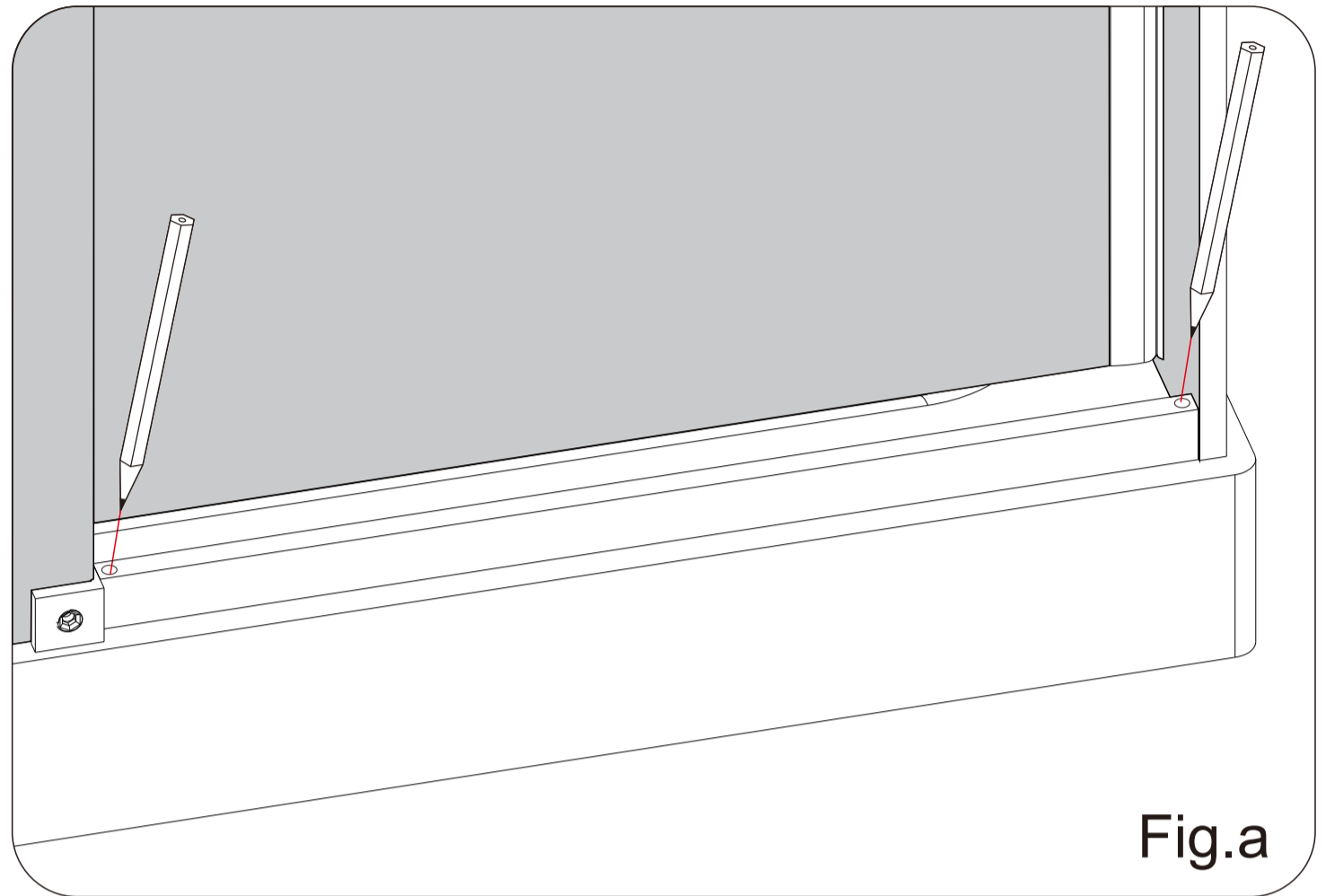
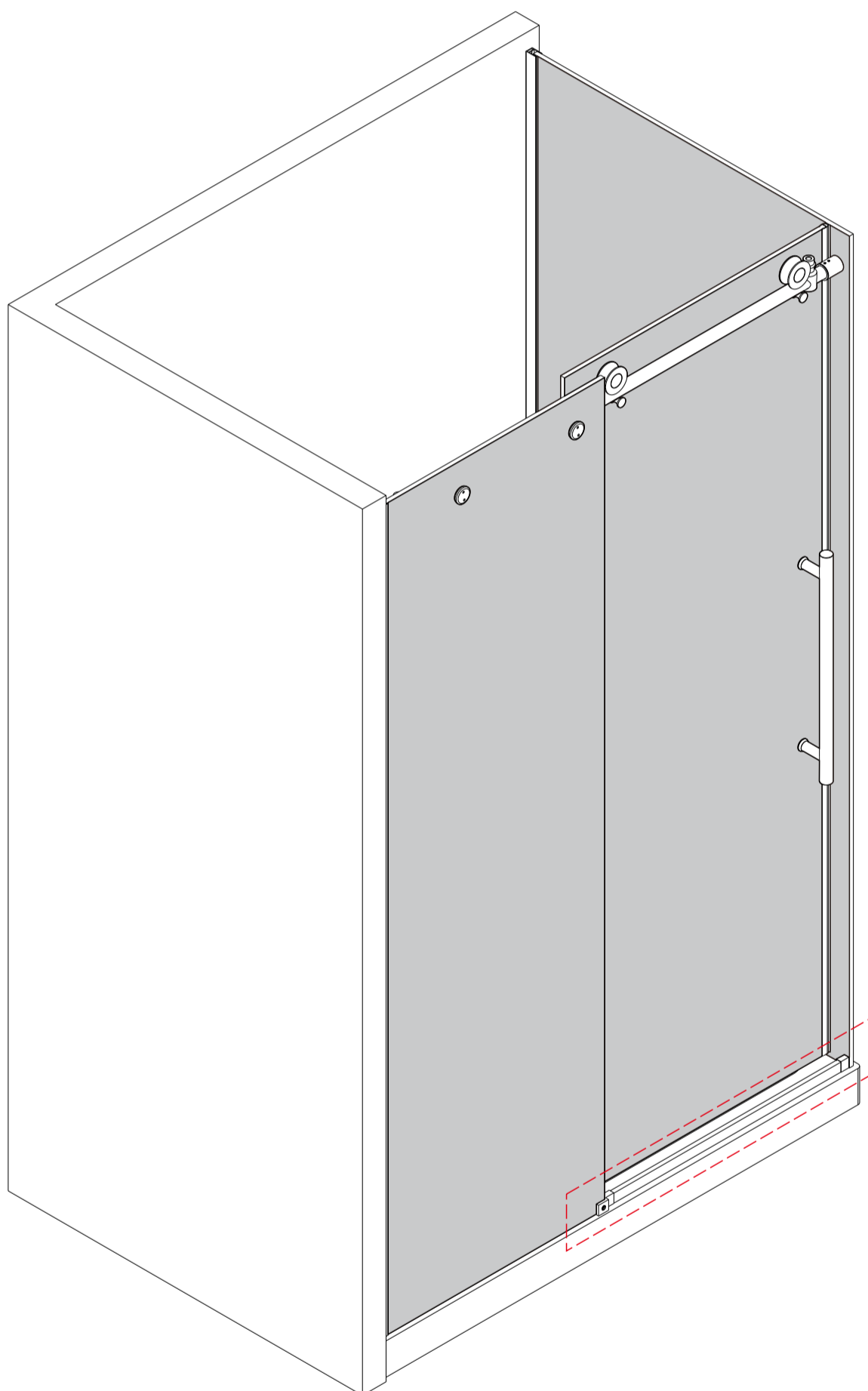


Fig.a

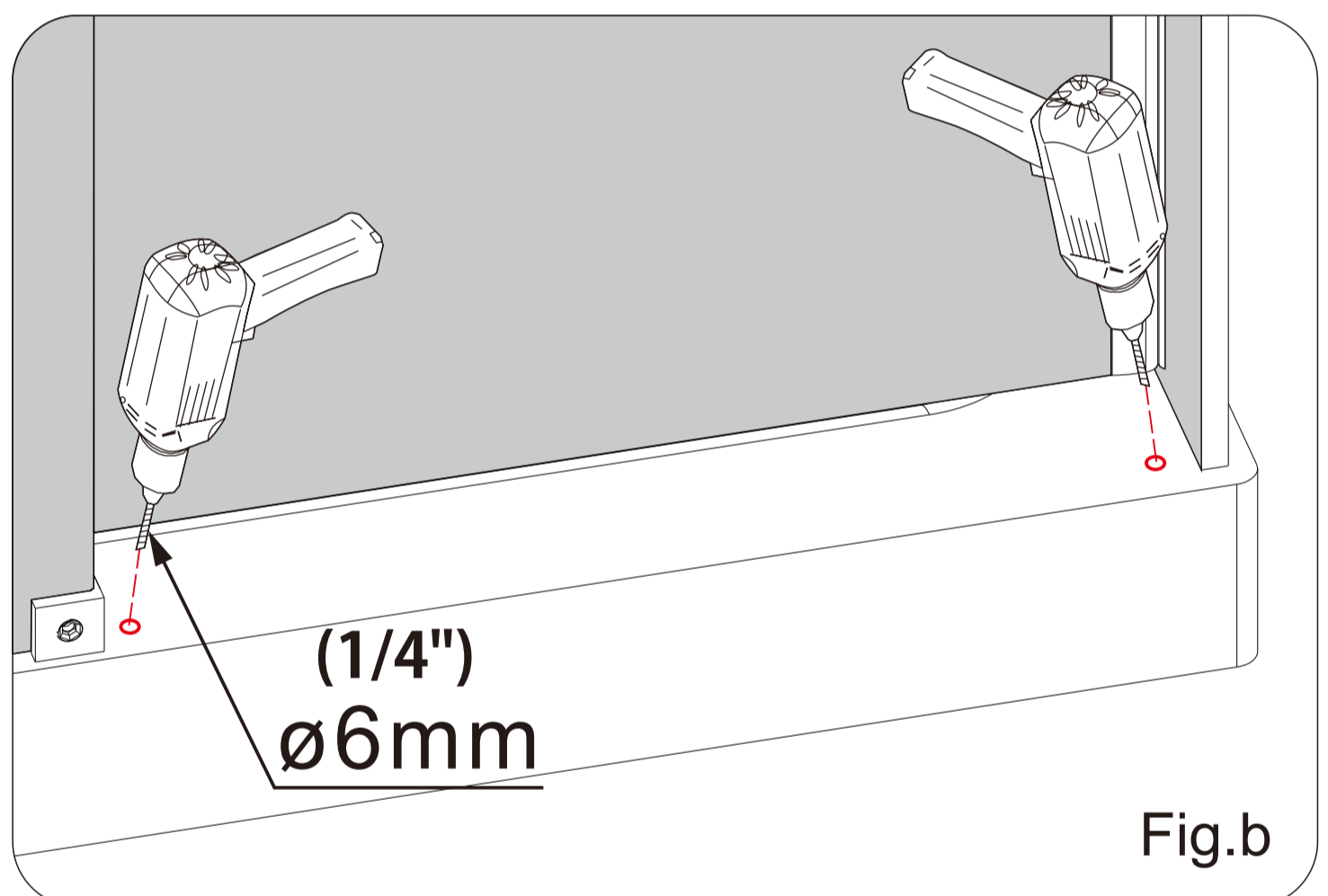


Fig.b

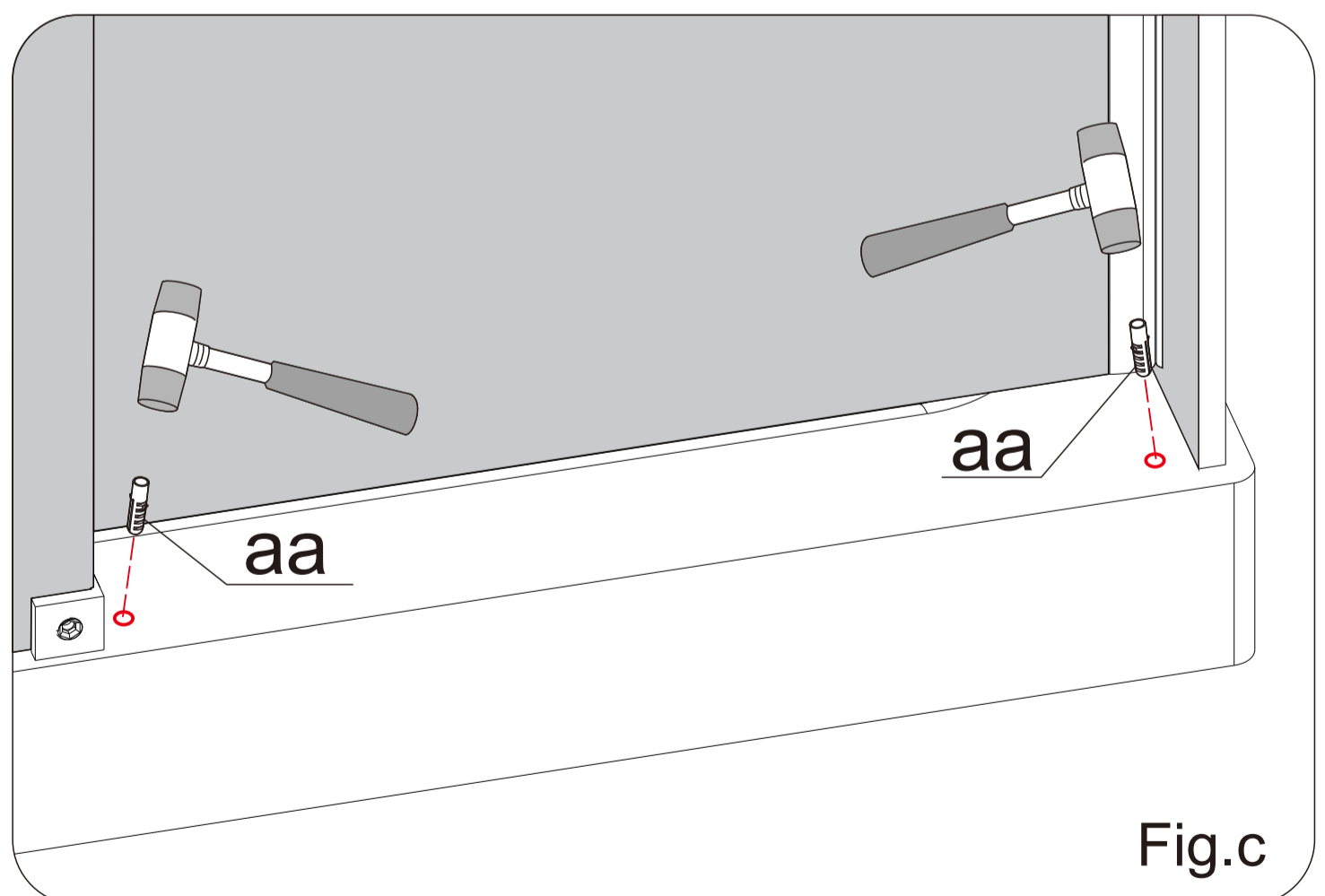
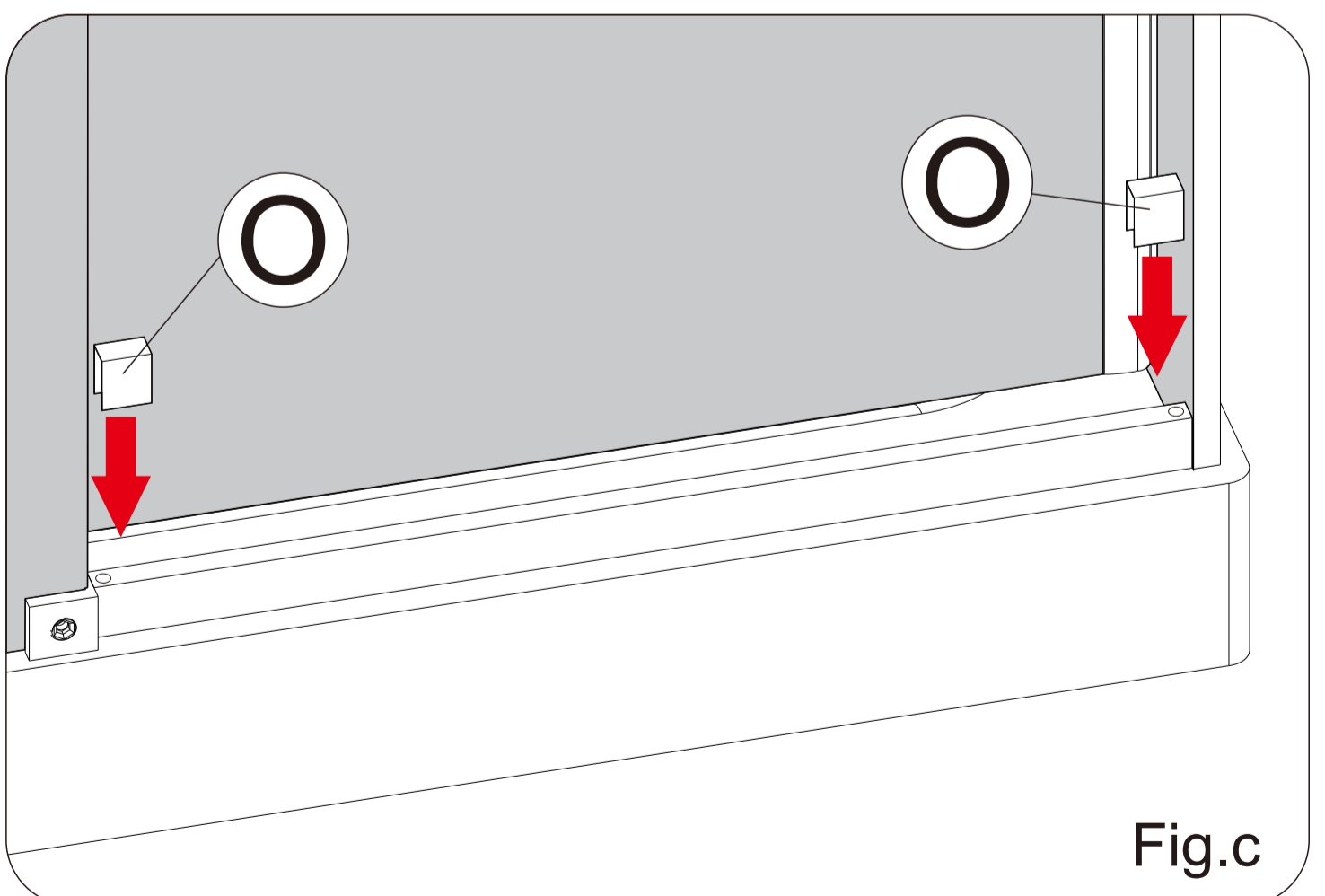
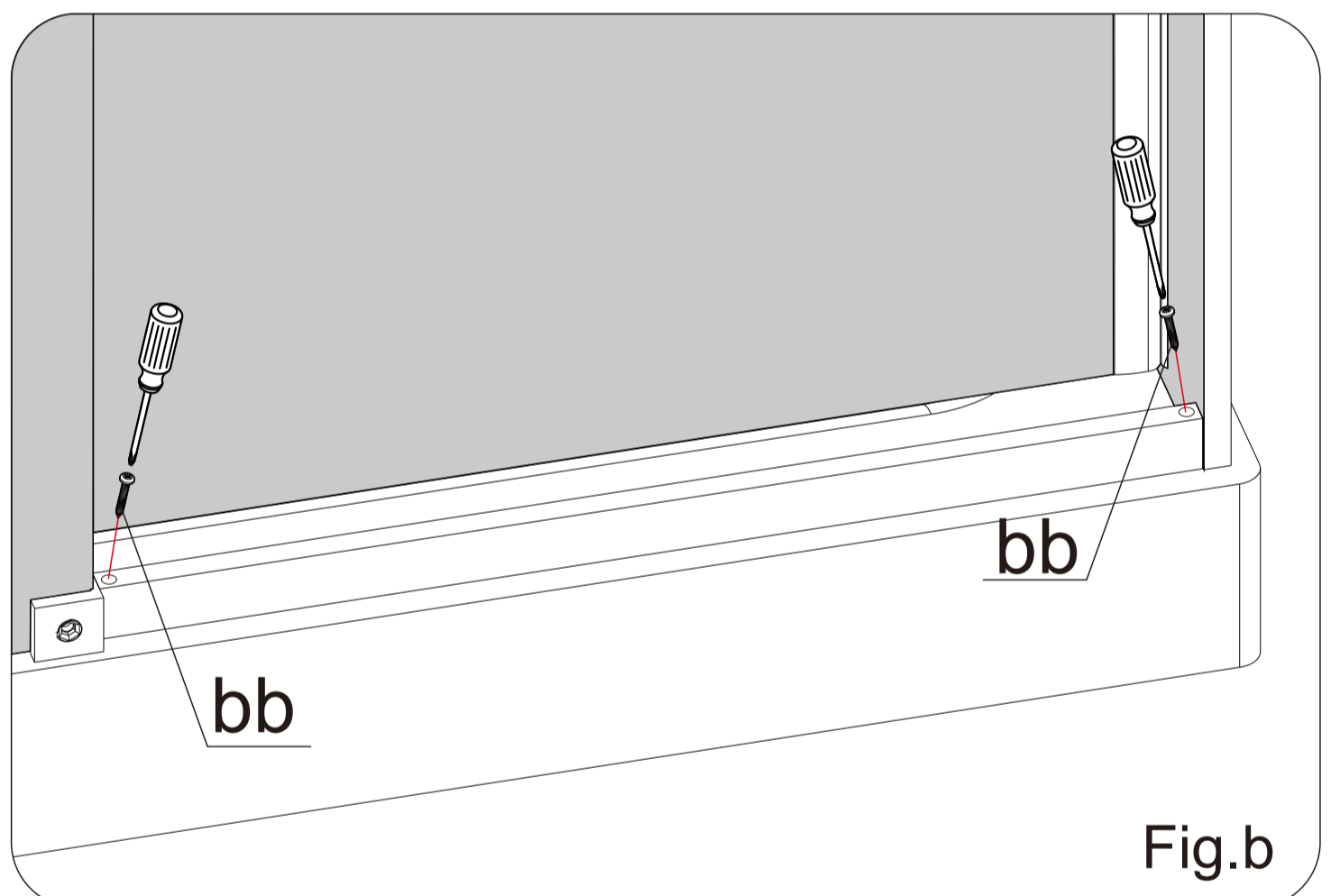
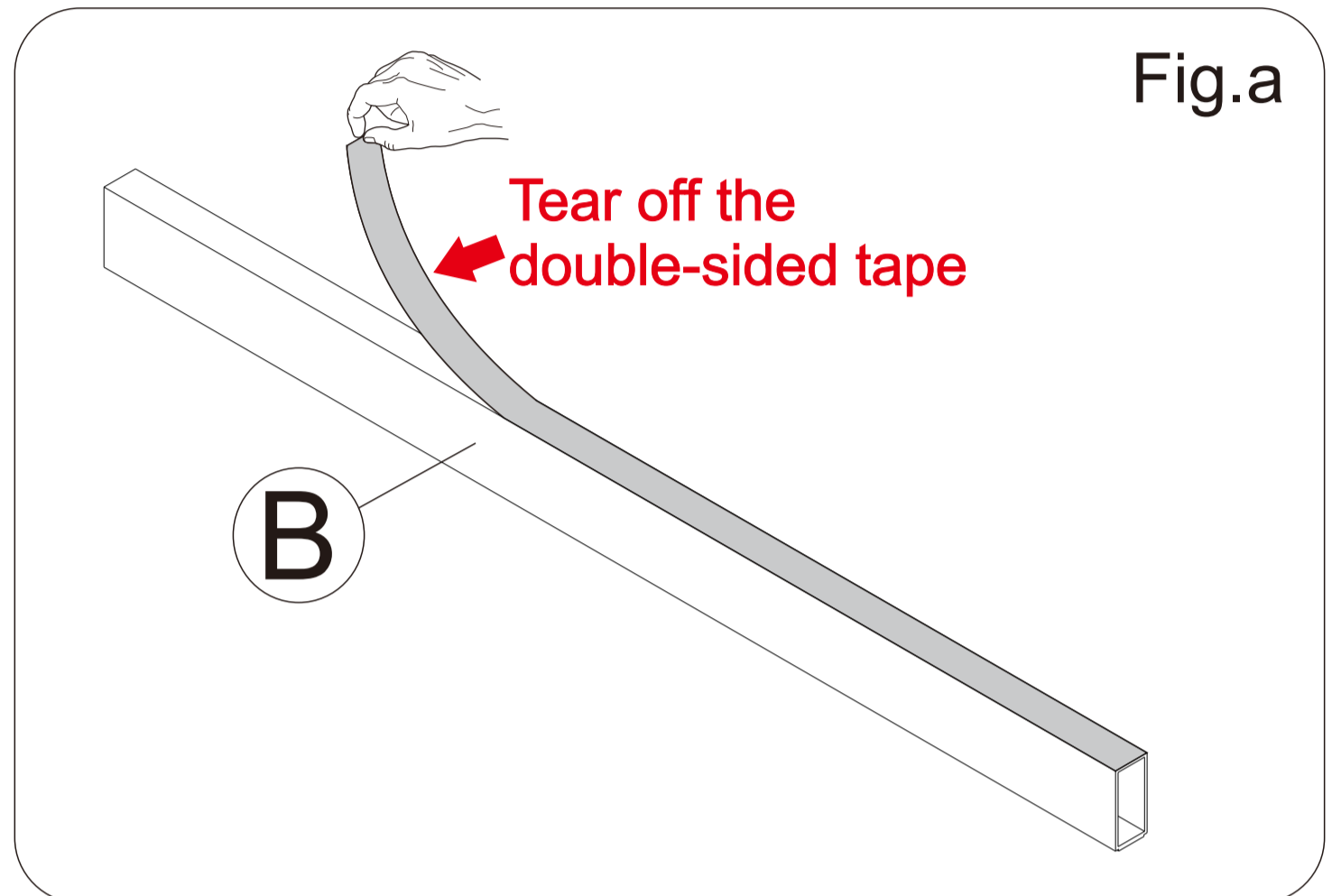
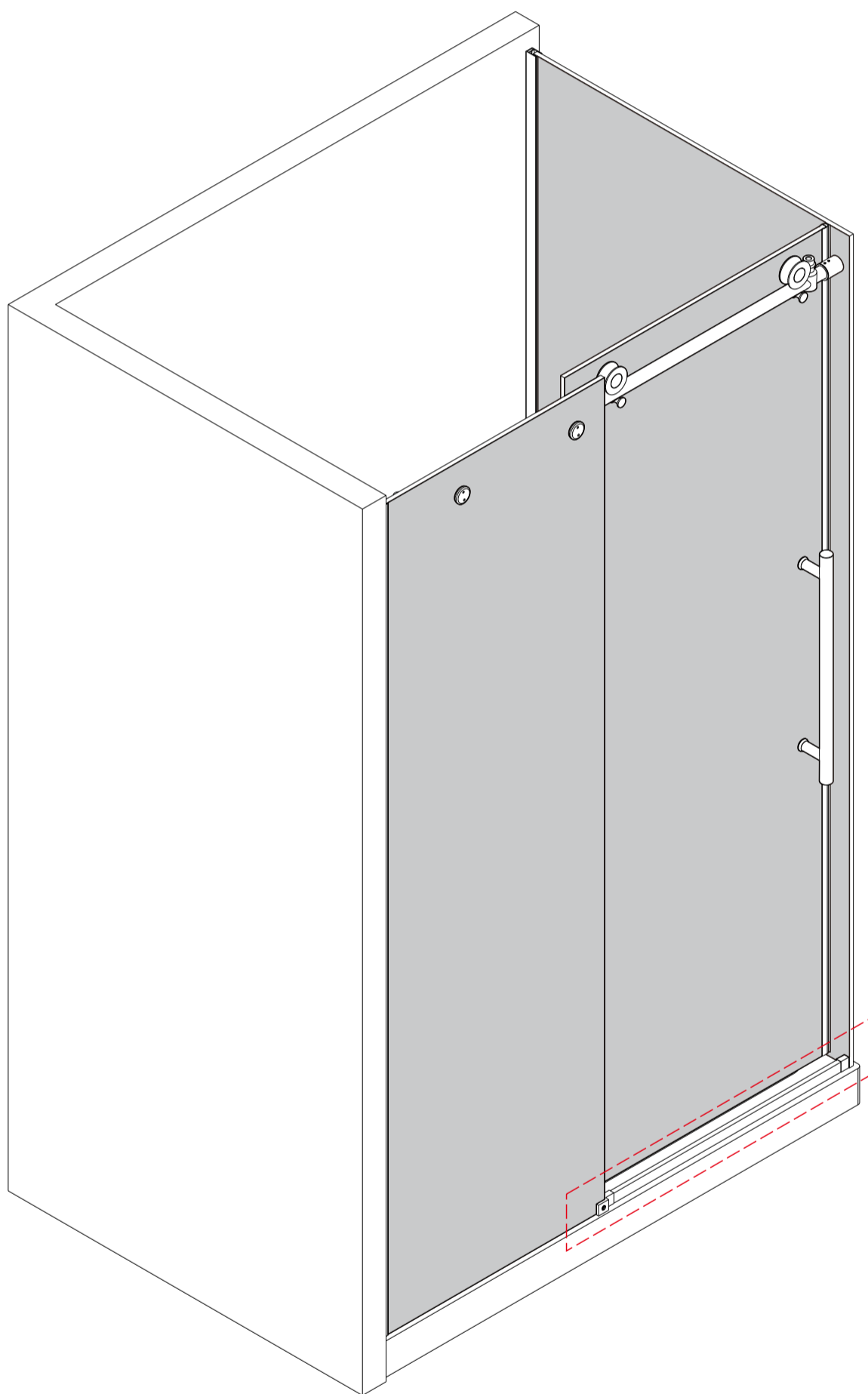


Fig.c

29-4 Install the Threshold(B)

NOTE

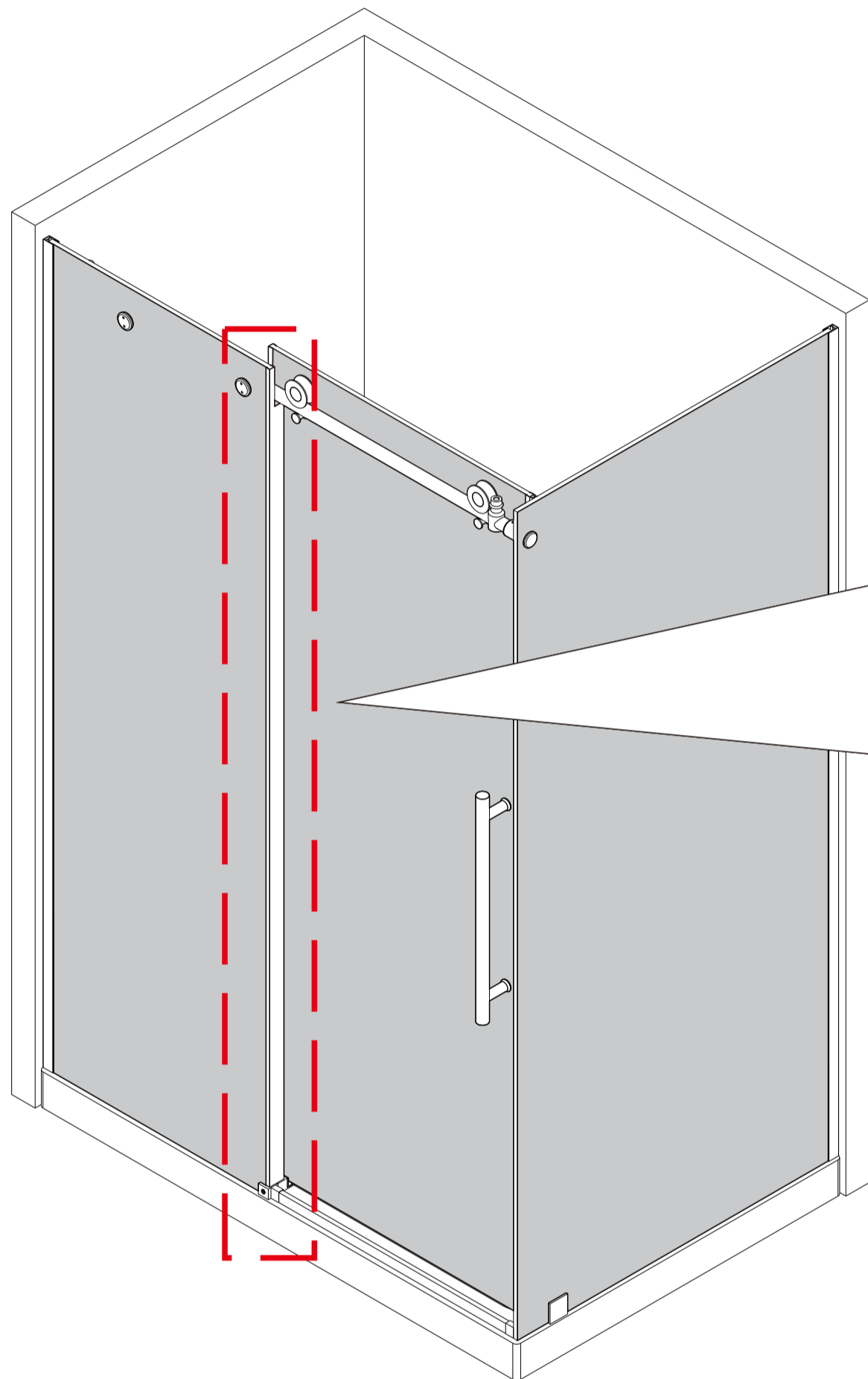
1. Tear off the double-sided tape on the **Threshold(B)** as Fig.a .
2. Fix the **Threshold(B)** with a **Screw (bb)** as Fig.b .
3. Installing the **Threshold(B)** and the **Threshold cover(O)** as Fig.b .



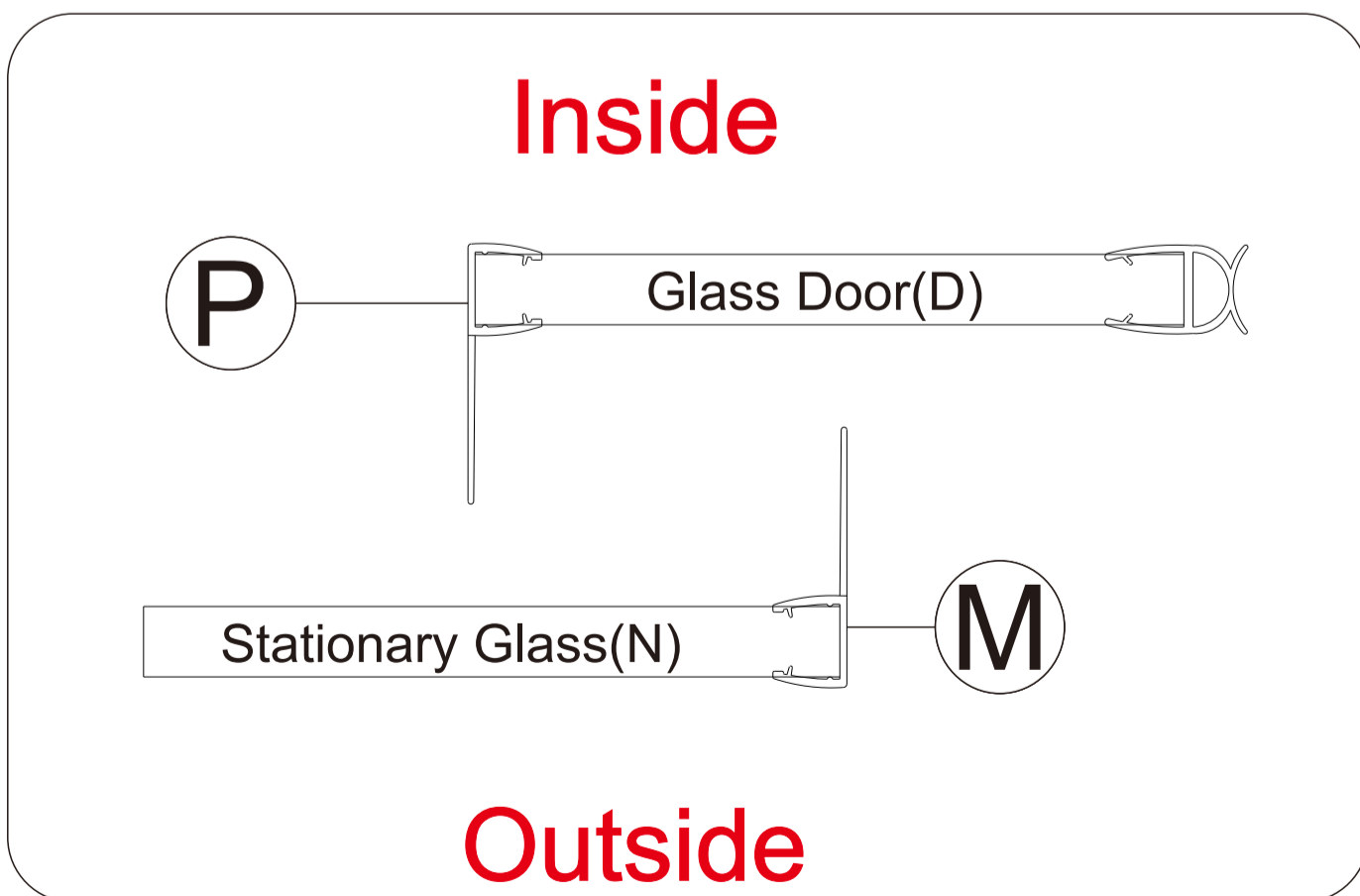
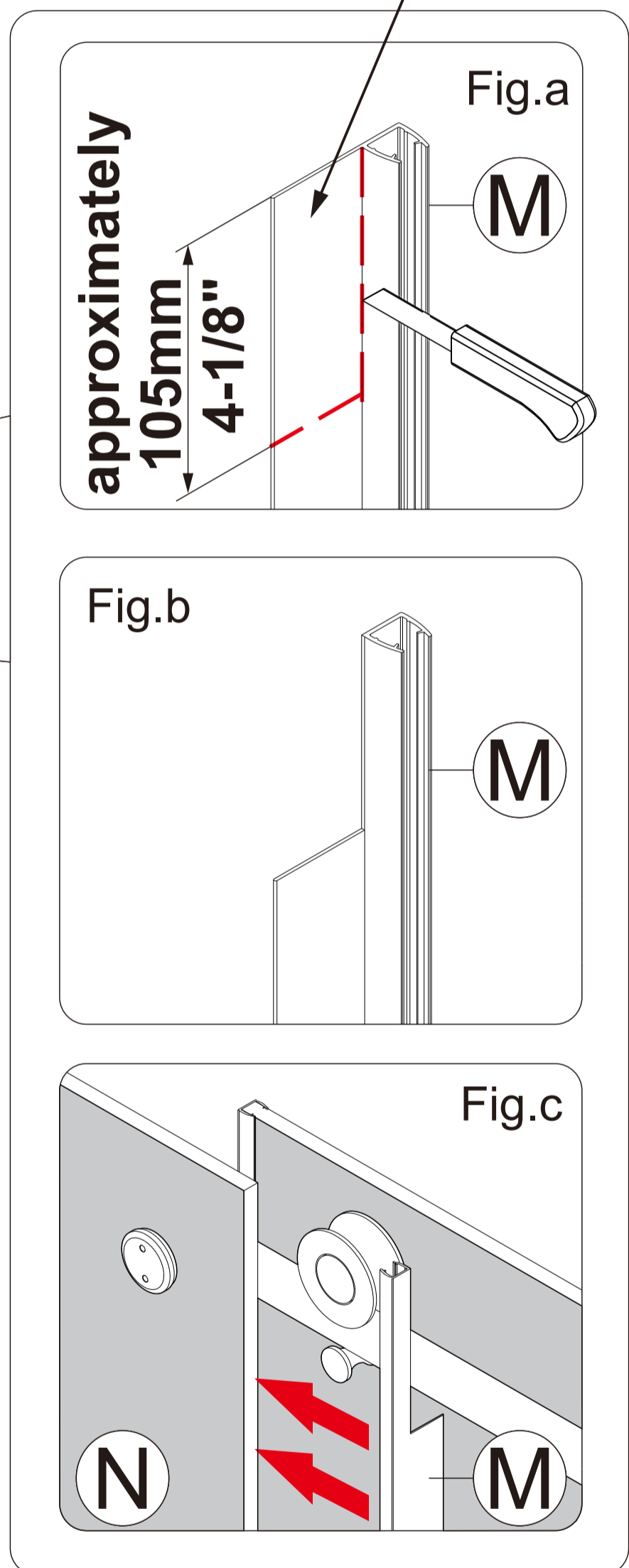
30 Install the **Anti-Water Strips(M)**

NOTE

1. According to the installation direction, cut the soft edge of the **Anti-Water Strips(M)** as **Fig.a** and **Fig.b** .
2. Install the **Anti-Water Strips(M)** on the **Stationary Glass(N)** as **Fig.c** .



Cut according to the mounting direction

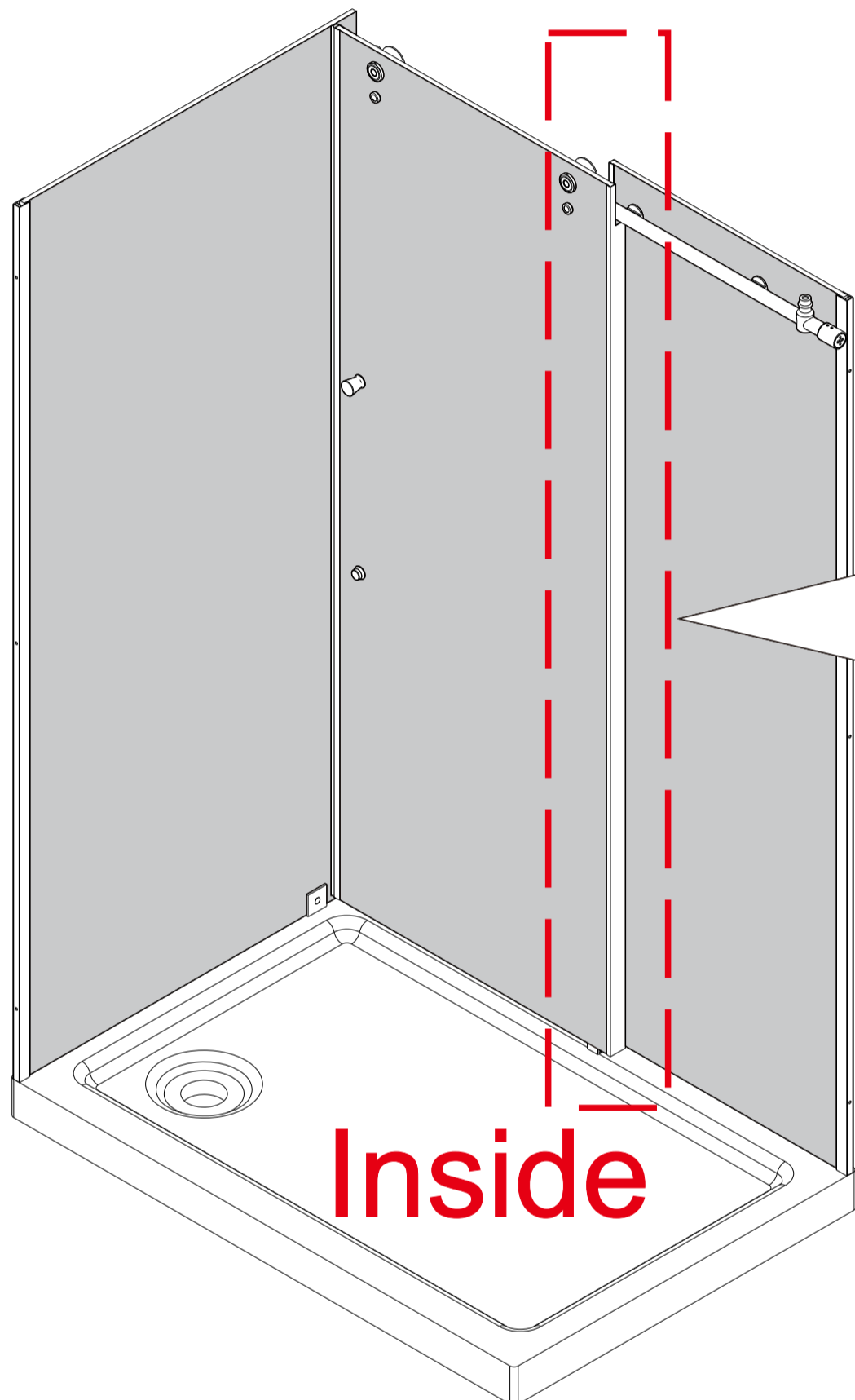


Note: The shower door can be installed left or right, according to the need to determine the installation direction.

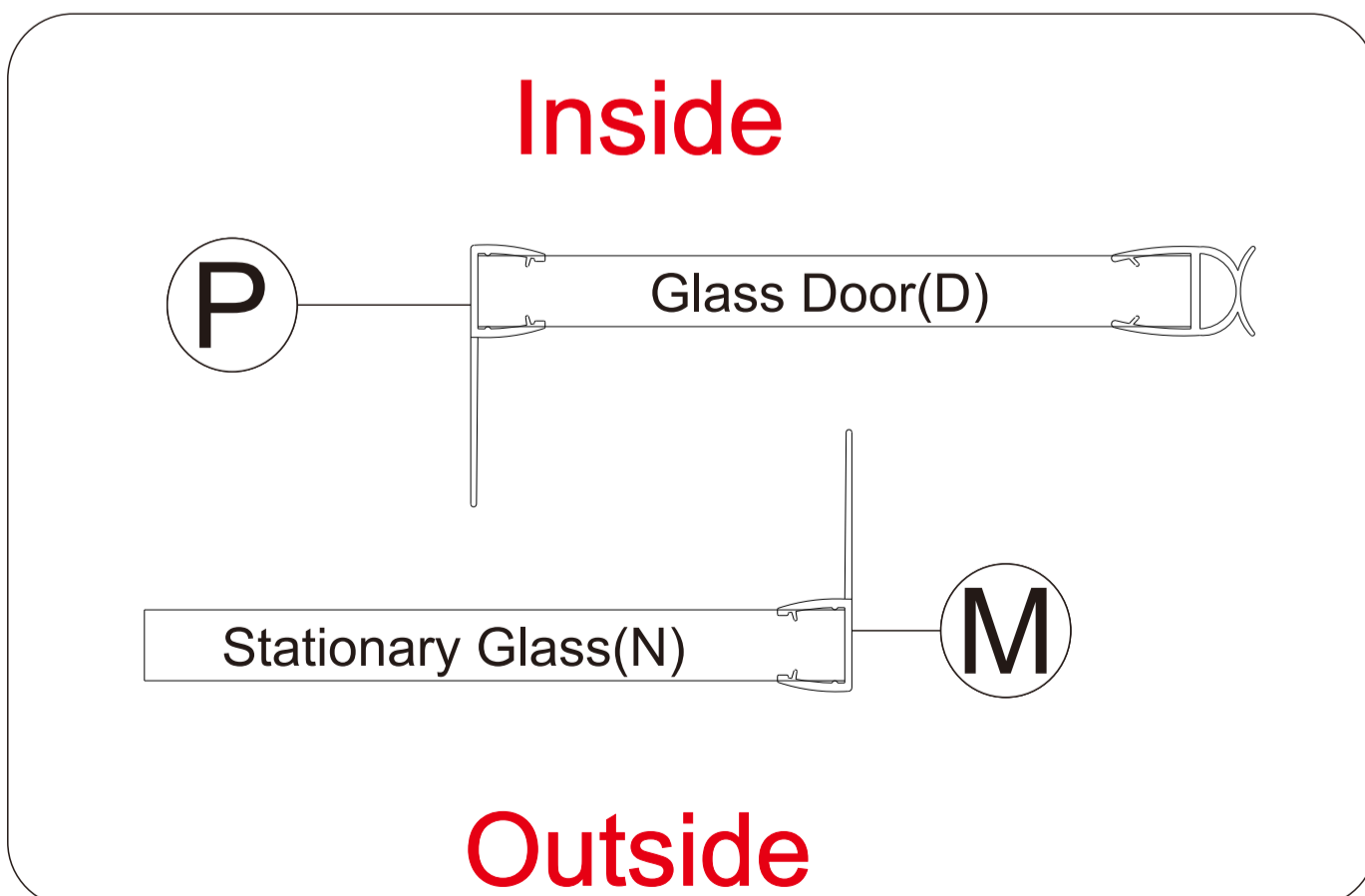
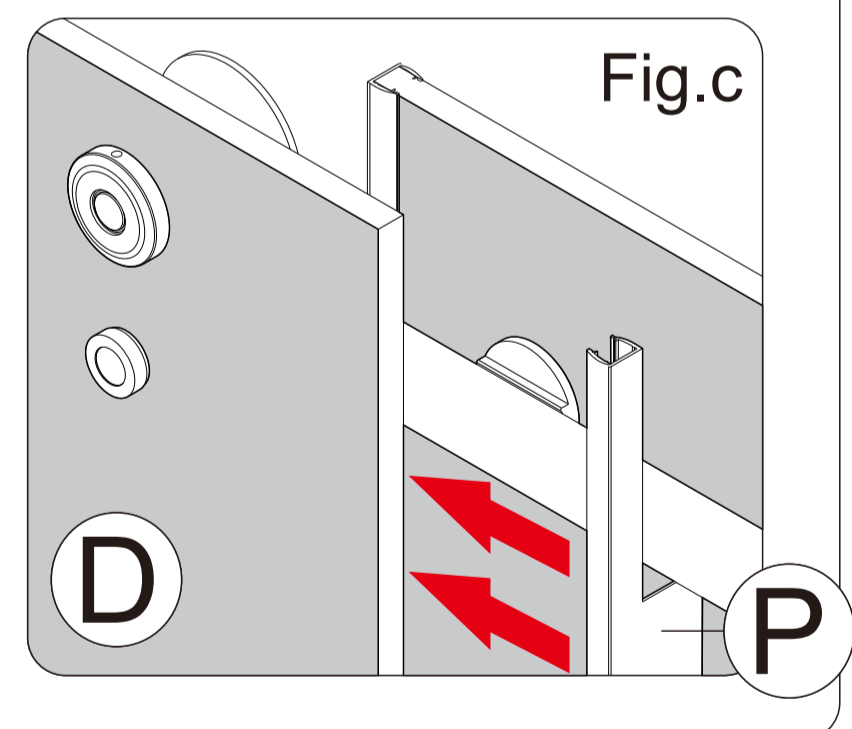
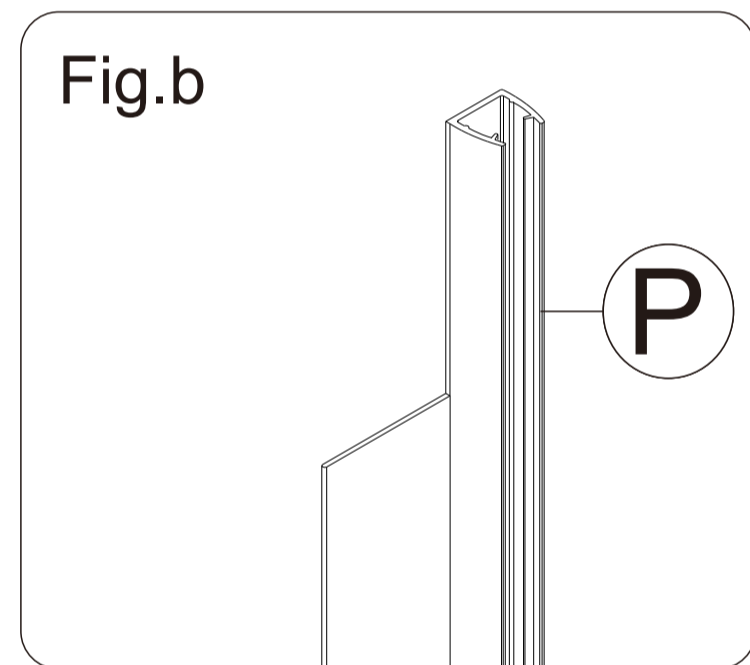
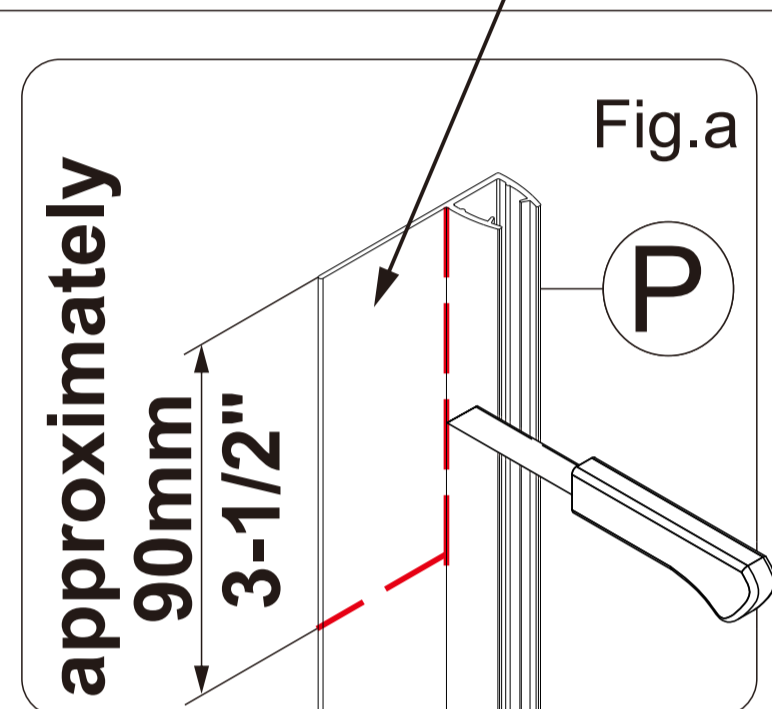
31 Install the **Anti-Water Strips(P)**

NOTE

1. According to the installation direction, cut the soft edge of the **Anti-Water Strips(P)** as Fig.a and Fig.b .
2. Install the **Anti-Water Strips(P)** on the **Glass Door(D)** as Fig.c .



Cut according to the mounting direction



Note: The shower door can be installed left or right, according to the need to determine the installation direction.

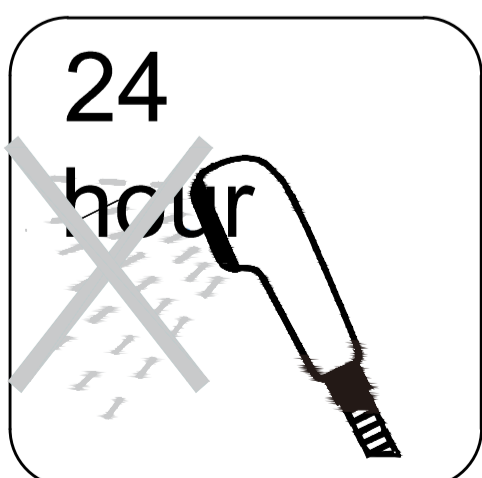
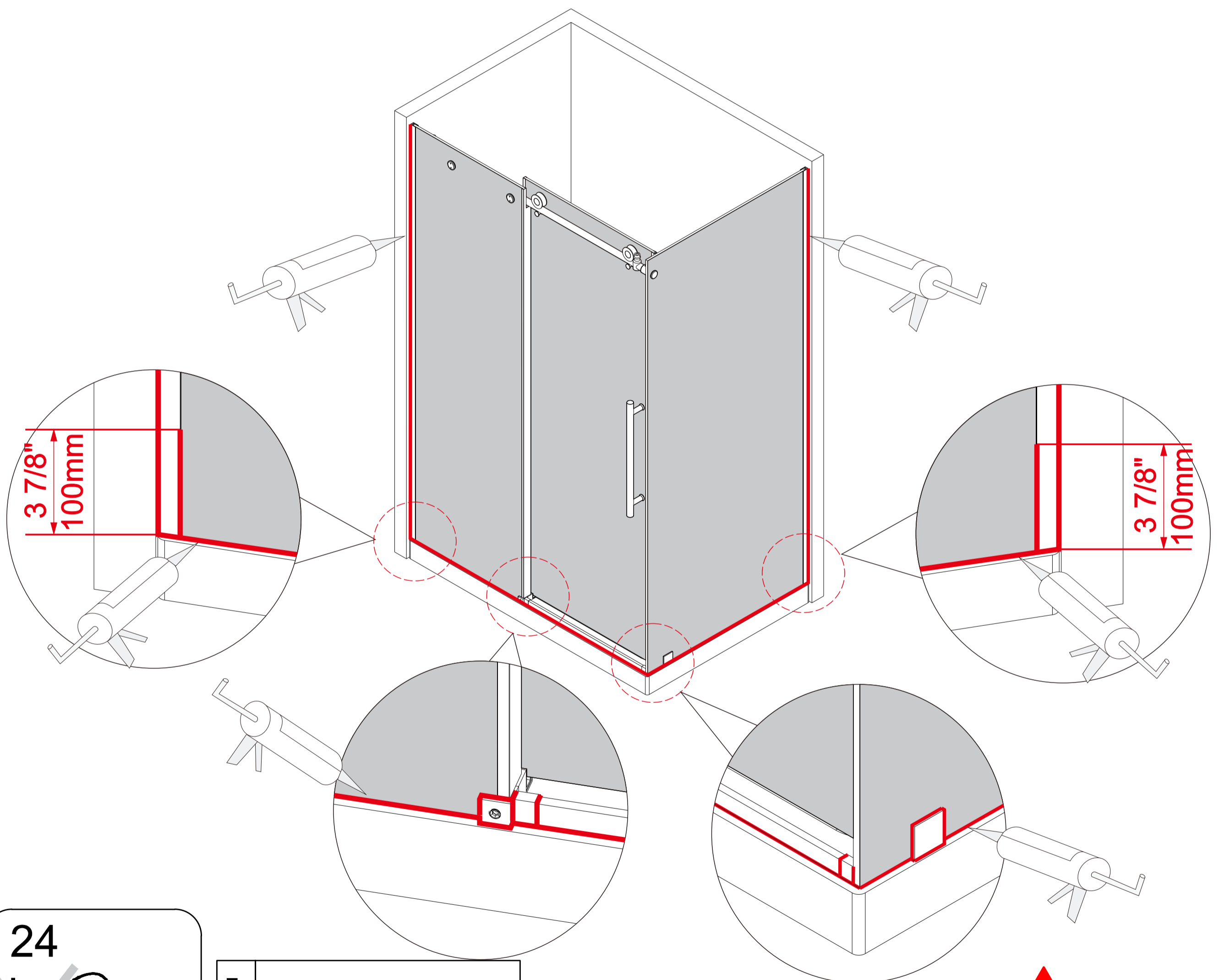
32 SEALING

NOTE The surfaces need to be clean and free of debris before applying silicone.

NOTE Make sure that the Shower door closes tightly and opens smoothly. Apply a good quality silicone sealant along the **Wall Jamb(L)** and **Alu. Threshold(B)**.



Allow 24 hours for the silicone to cure before using the shower.



! Apply Silicone Sealant, (not supplied).



The shower room needs to be sealed inside and out

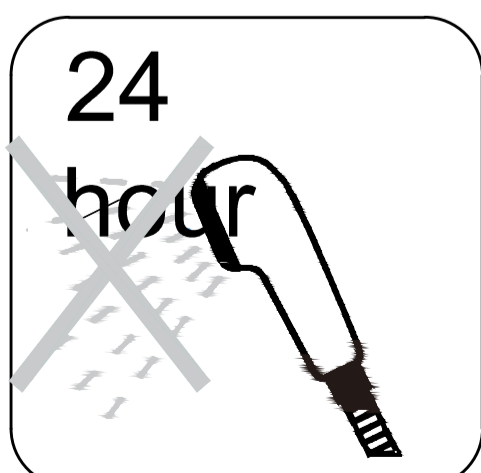
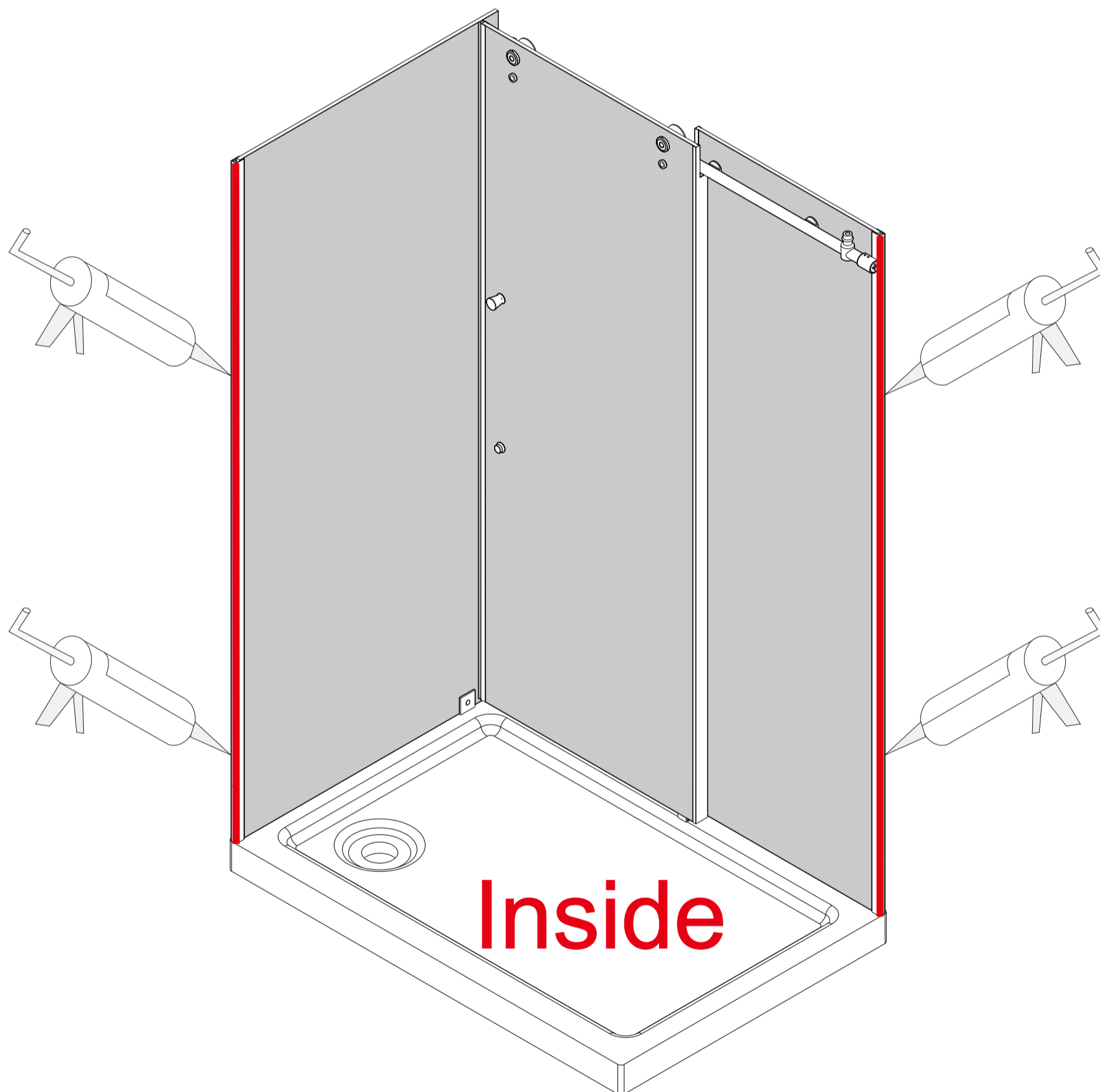
33 SEALING

NOTE The surfaces need to be clean and free of debris before applying silicone.

NOTE Make sure that the Shower door closes tightly and opens smoothly. Apply a good quality silicone sealant along the **Wall Jamb(L)**



Allow 24 hours for the silicone to cure before using the shower.



! Apply Silicone Sealant, (not supplied).



The shower room needs to be sealed inside and out