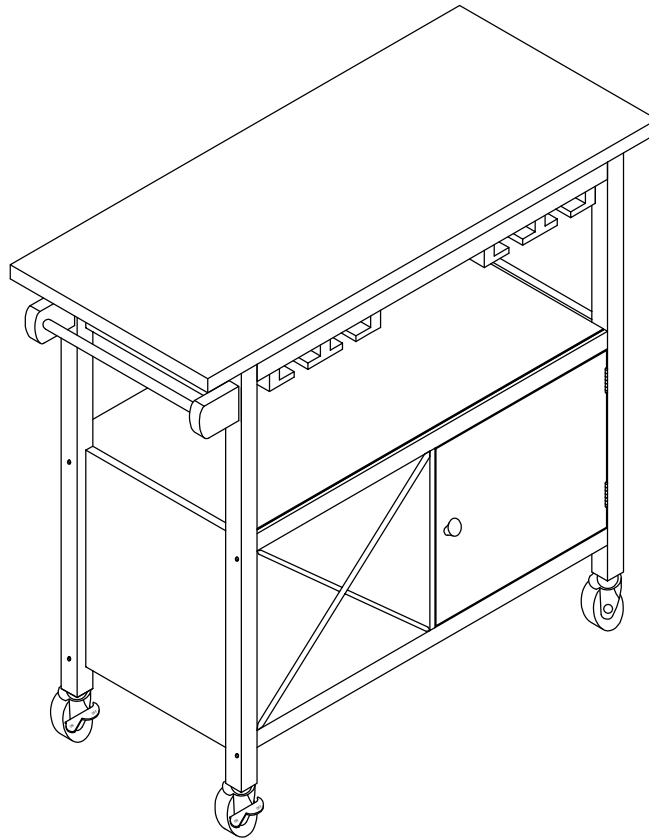


# ASSEMBLY INSTRUCTIONS

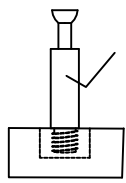
## Kitchen Cart



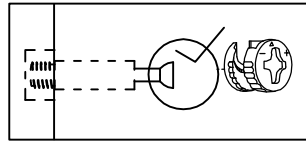
### NOTE TO CUSTOMERS:

- For ease and speed of assembly we recommend that before you commence each step of the assembly that you identify all the parts required to complete that step.
- We recommend that where possible you allow sufficient space to assemble the item as close as possible to the place where it will be once assembled.
- For the protection of your furniture we recommend that the product is placed on protected surfaces during assembly to prevent any damage.
- During assembly do not over tighten, as this may damage the product.
- Please ensure you retain all the product packaging until the item completely assembled.
- Please periodically check all fittings and re-tighten as necessary.
- Please never allow any liquids to remain on your furniture as absorption can cause the wood to warp or finish to de-laminate.
- It is recommended that this item should be assembled by two adults.

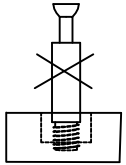
**To insert a cam lock: (Please read below instructions before assembling)**



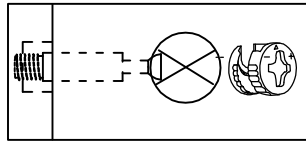
**Diagram A**



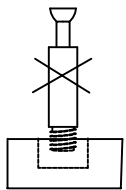
1. Insert cam screw into hole as shown in diagram A .



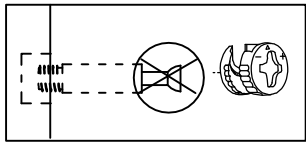
**Diagram B**



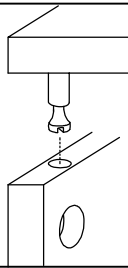
Make sure not to insert the cam screw:  
Too deep as shown in figure B as this will cause the cam screw to be misaligned and unable to interlock properly.



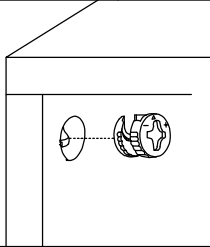
**Diagram C**



Also avoid inserting the cam screw too close to the surface of the hole as shown in figure C, as this will cause the cam lock to be too loose, and not interlock properly.



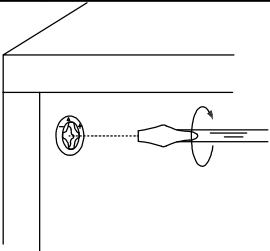
2. Connect the panels together.



**ARROW SIGN**



3. When inserting the cam lock make sure the arrow of the cam lock faces the cam screw.



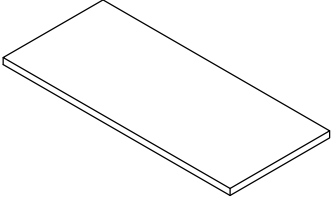
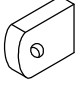
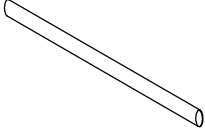
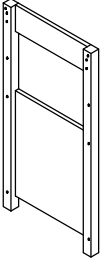
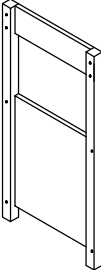
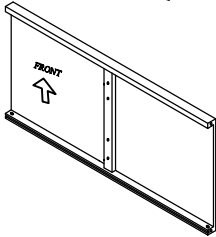
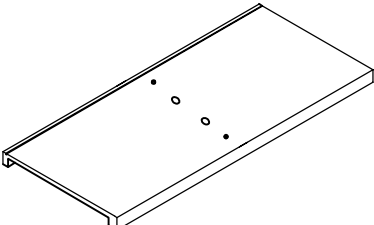
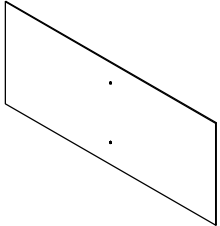
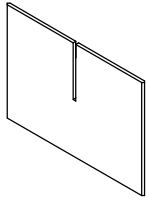
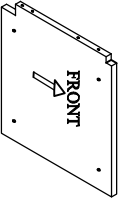
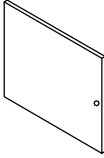
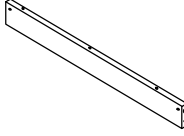
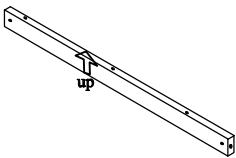
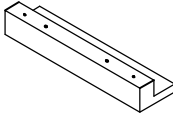
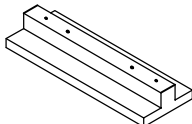
4. To tighten the cam lock turn the cam lock clockwise 90-180 degree or until the arrow is facing opposite the place cam lock was inserted.

**NOTE: DO NOT USE AN AUTOMATIC SCREWDRIVER TO TIGHTEN CAM LOCKS.**

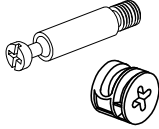


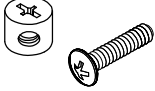



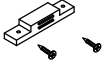
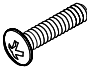



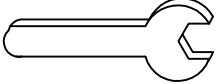
**Note:**

- Read these instructions carefully before assembling.
- Tools required : Phillips screwdriver, flat screwdriver.
- Find a clean, smooth area on which to work , such as a carpet, in order to avoid scratching the wood surfaces.
- Wait to dispose of the packing material until assembly is complete and all parts and hardware are accounted for.
- Two or more people might be required for assembly.

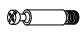


# Part List

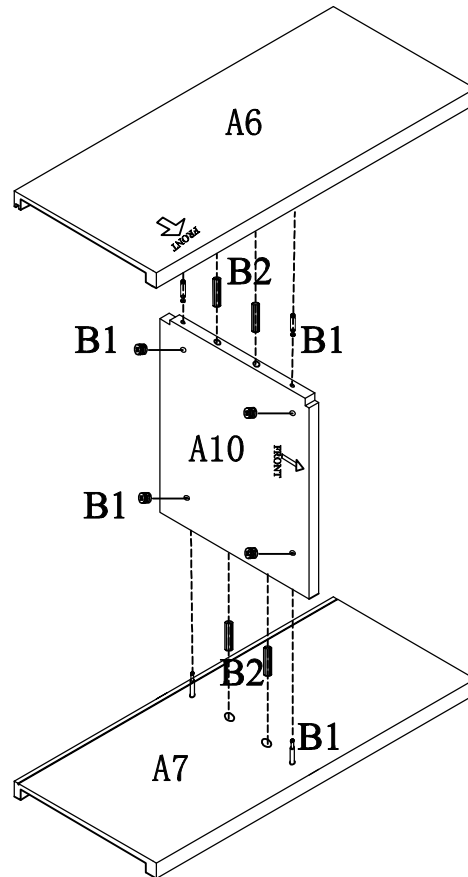
<p>A1. <span style="float: right;">Quantity of 1</span></p>  <p><b>Top Panel</b></p>	<p>A2. <span style="float: right;">Quantity of 2</span></p>  <p><b>Ear</b></p>	<p>A3. <span style="float: right;">Quantity of 1</span></p>  <p><b>Towel Bar</b></p>
<p>A4. <span style="float: right;">Quantity of 1</span></p>  <p><b>Left Side Panel</b></p>	<p>A5. <span style="float: right;">Quantity of 1</span></p>  <p><b>Right Side Panel</b></p>	<p>A6. <span style="float: right;">Quantity of 1</span></p>  <p><b>Shelf</b></p>
<p>A7. <span style="float: right;">Quantity of 1</span></p>  <p><b>Bottom Panel</b></p>	<p>A8. <span style="float: right;">Quantity of 1</span></p>  <p><b>Back Panel</b></p>	<p>A9. <span style="float: right;">Quantity of 2</span></p>  <p><b>Wine Rack Panel</b></p>
<p>A10. <span style="float: right;">Quantity of 1</span></p>  <p><b>Divider</b></p>	<p>A11. <span style="float: right;">Quantity of 1</span></p>  <p><b>Door Panel</b></p>	<p>A12. <span style="float: right;">Quantity of 1</span></p>  <p><b>Connecting Bar</b></p>
<p>A13. <span style="float: right;">Quantity of 1</span></p>  <p><b>Connecting Bar</b></p>	<p>A14. <span style="float: right;">Quantity of 4</span></p>  <p><b>Glass Holder</b></p>	<p>A15. <span style="float: right;">Quantity of 2</span></p>  <p><b>Glass Holder</b></p>

# Hardware List

<p><b>B1</b>                      <b>Quantity of 4</b></p>  <p><b>Camlock</b></p>	<p><b>B2</b>                      <b>Quantity of 22</b></p>  <p><b>Wood Dowel</b></p>	<p><b>B3</b>                      <b>Quantity of 18</b></p>  <p><b>Screw</b></p>	<p><b>B4</b>                      <b>Quantity of 12</b></p>  <p><b>Bolt with Nut</b></p>
<p><b>B5</b>                      <b>Quantity of 1</b></p>  <p><b>Knob with Bolt</b></p>	<p><b>B6</b>                      <b>Quantity of 4</b></p>  <p><b>Screws</b></p>	<p><b>B7</b>                      <b>Quantity of 2</b></p>  <p><b>Screws</b></p>	<p><b>B8</b>                      <b>Quantity of 1</b></p>  <p><b>Magnets with screw</b></p>
<p><b>B9</b>                      <b>Quantity of 4</b></p>  <p><b>Bolt</b></p>	<p><b>B10</b>                      <b>Quantity of 12</b></p>  <p><b>Wood Button</b></p>	<p><b>B11</b>                      <b>Quantity of 2</b></p>  <p><b>Wheel with brake</b></p>	<p><b>B12</b>                      <b>Quantity of 2</b></p>  <p><b>Wheel</b></p>
<p><b>B13</b>                      <b>Quantity of 1</b></p>  <p><b>Open Spanner</b></p>			


## Step 1

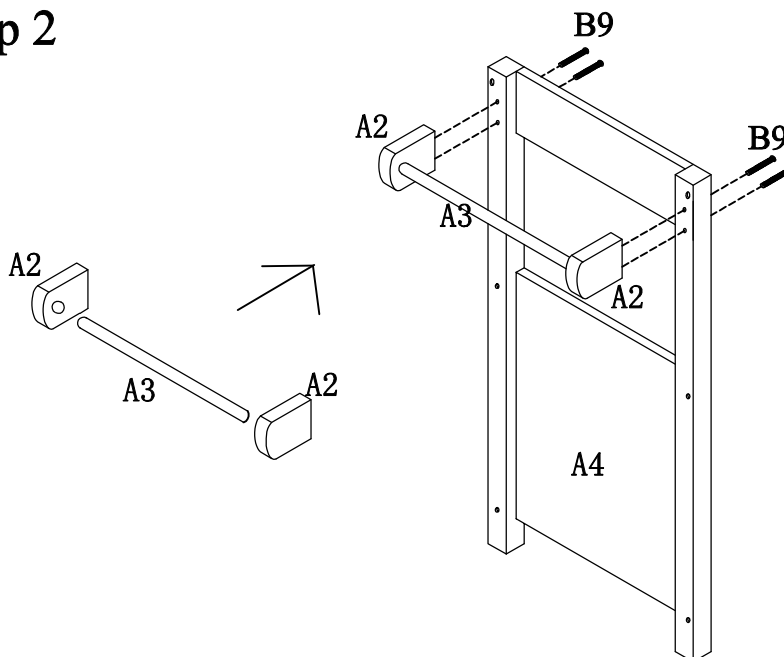
B1			4sets
B2			4pcs



Assemble Divider A10 to Shelf A6 and Bottom Panel A7 using Camlocks B1 and Wood Dowels B2.

## Step 2

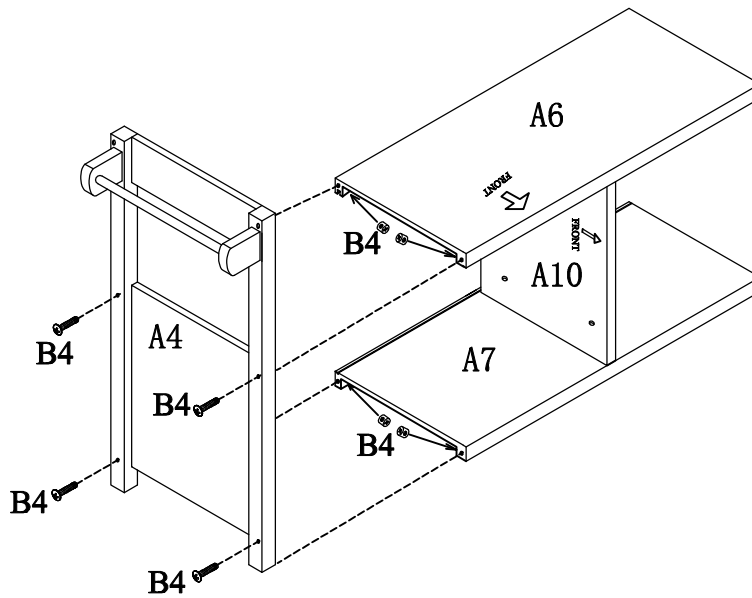
B9		4pcs
----	---	------



Insert Towel Bar A3 into holes on Ears A2, then assemble Ears A2 to Left Side Panel A4 using Bolts B4.



## Step 3

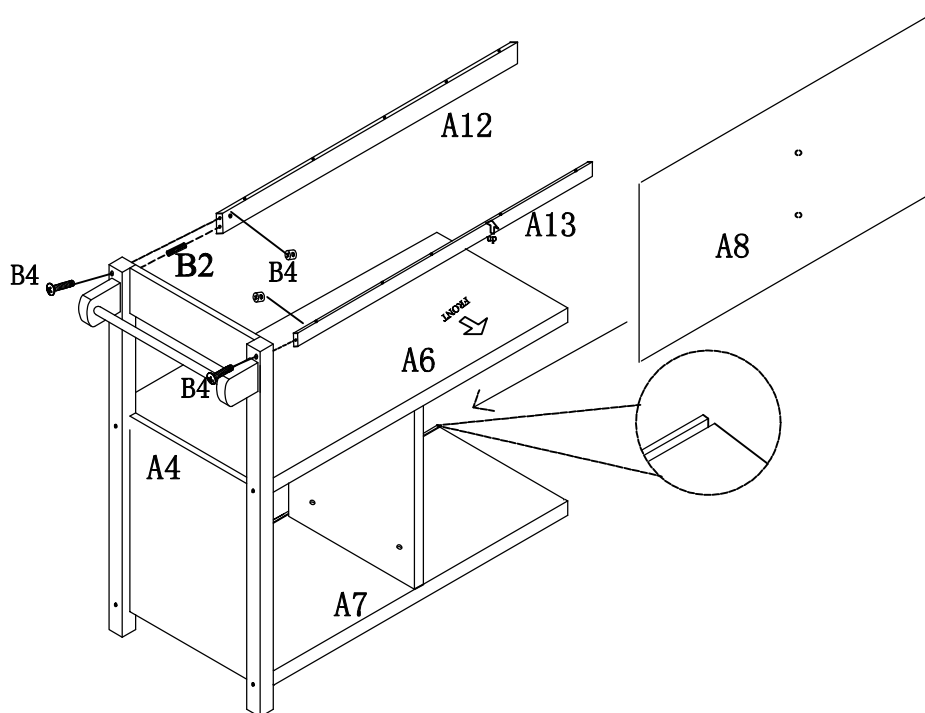
B4  4sets



Assemble Left Side Panel A4 to Shelf A6 and Bottom Panel A7 using Bolts with Nuts B4.

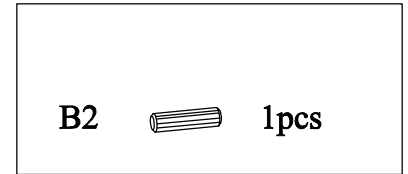
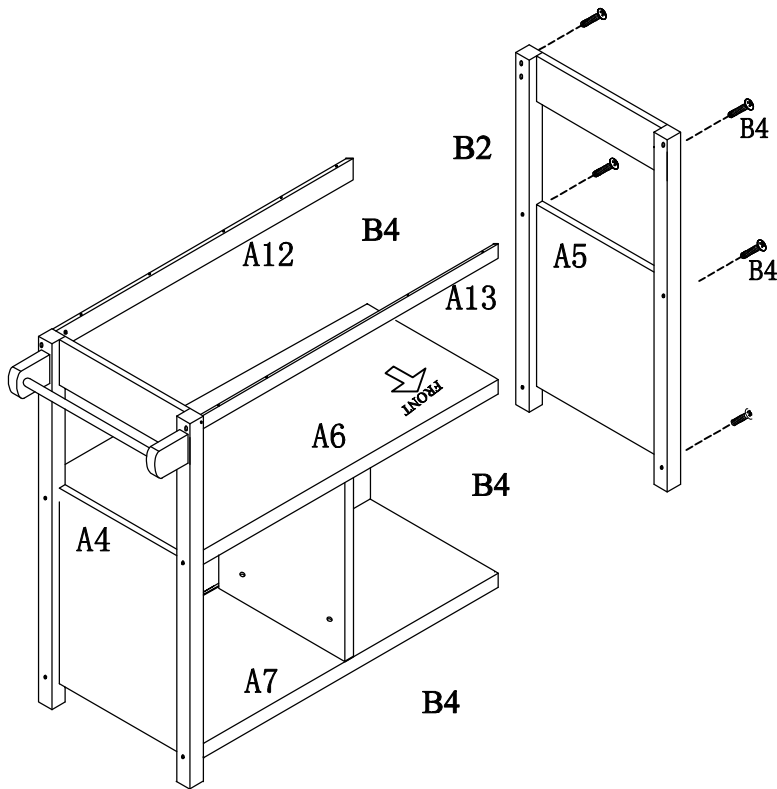
## Step 4

B4  2sets  
B2  1pcs



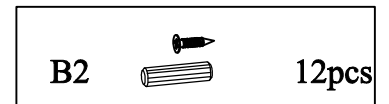
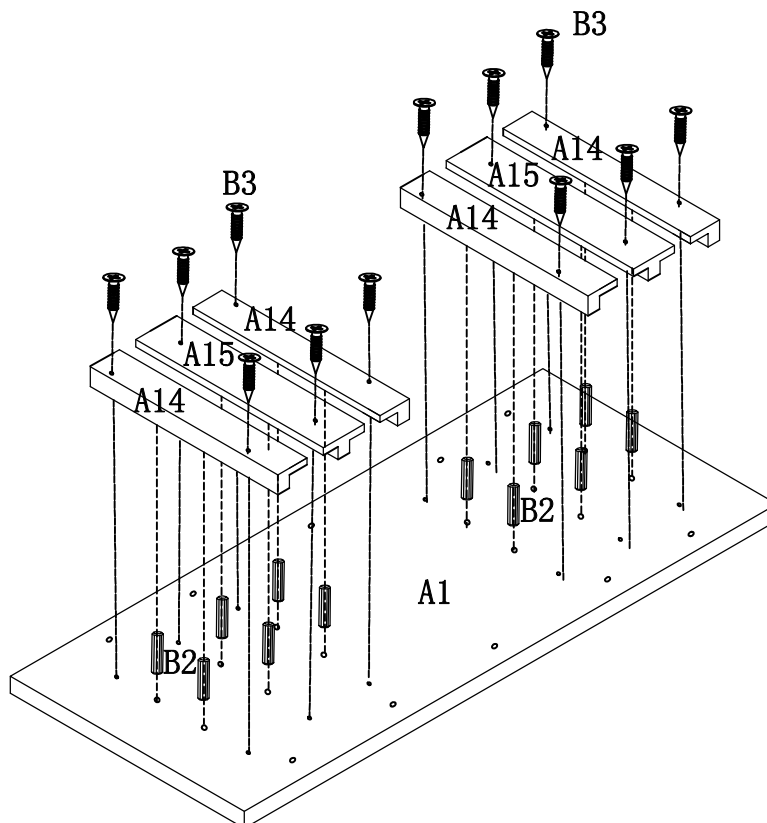
- 1). Assemble Connecting Bars A12 & A13 to Left Side Panel A4 using Bolts with Nuts B4.
- 2). Insert Back Panel A8 into the grooves on the back of Bottom Panel A7 and Shelf A6 as shown above.

## Step 5



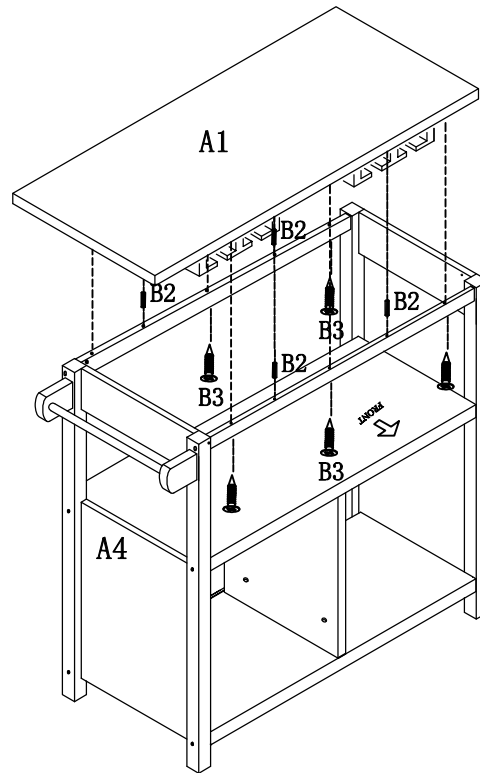
Assemble Right Side Panel A5 to Connecting Bars A12 & A13, Shelf A6 and Bottom Panel A7 using Bolts with Nuts B4 and Wood Dowel B2.

## Step 6



Assemble Glass Holders A14 & A15 to the bottom of Top Panels A1 using Screws B3 & Wood Dowels B2.  
Note: Holes are pre-drilled for Screws B3.

## Step 7

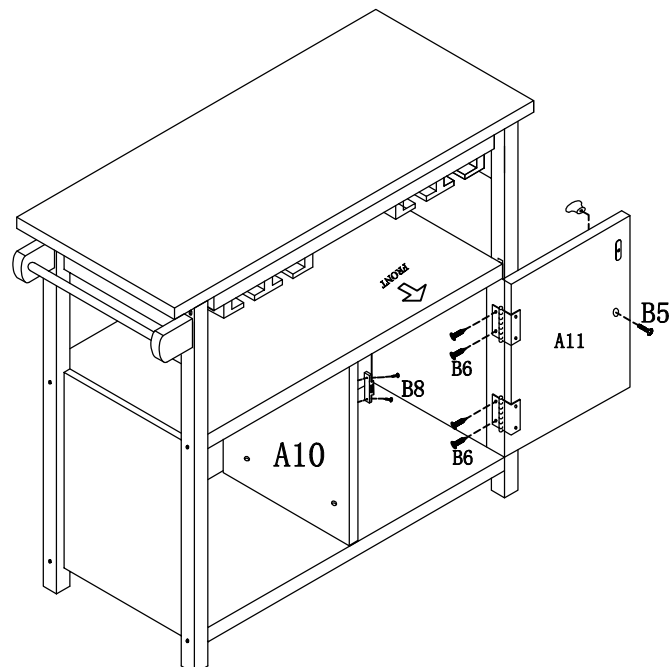


B3  6pcs

B2  4pcs

Assemble Top Panel A1 to Connecting Bars A12 & A13 using Screws B3 and Wood Dowels B2.

## Step 8



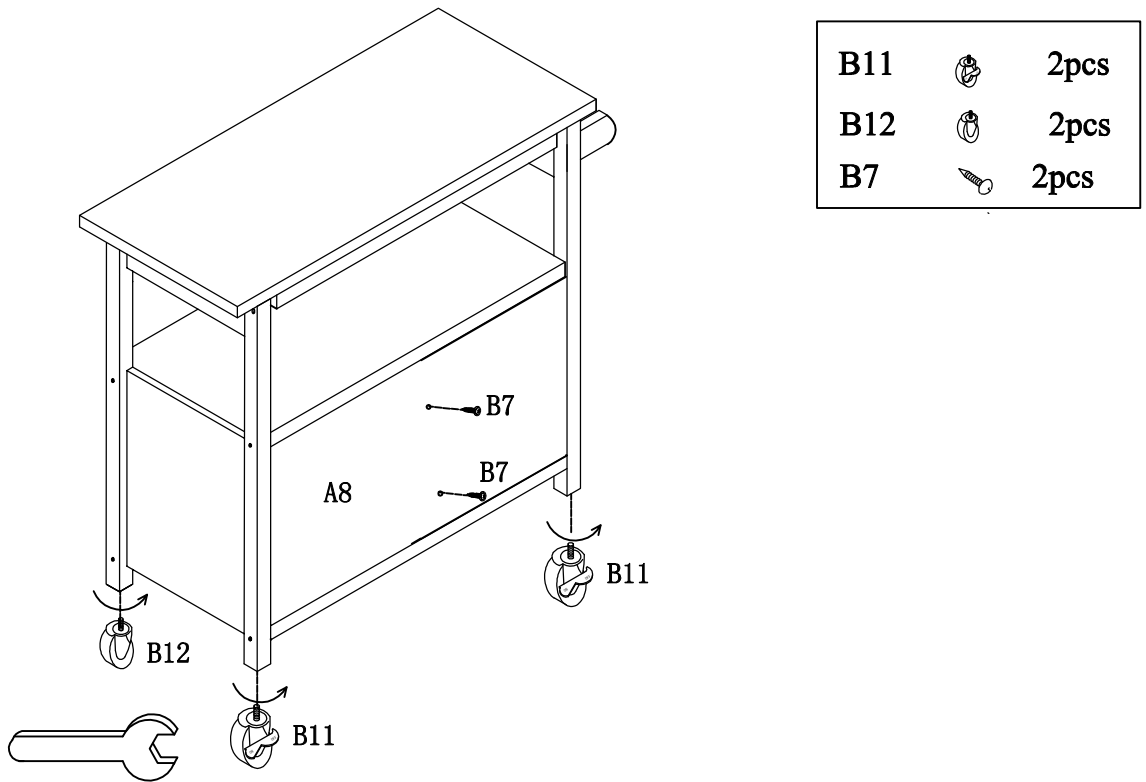
B5  1set

B6  4pcs

B8  1set

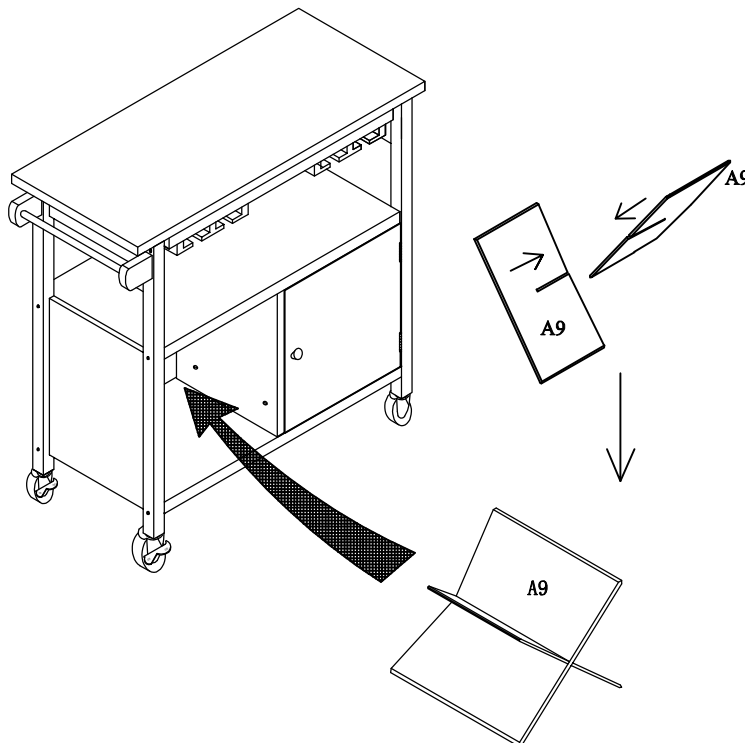
- 1). Assemble Knob B5 to Door Panels A11 with included screws, then assemble Door Panel A11 to Right Side Panel A5 using Screws B6.
- 2). Assemble Magnet B8 to the front of Divider A10 with included screws( Holes are pre-drilled for Magnet B8 on A10).

## Step 9




- 1). Tighten Back Panel A8 to Divider A10 using Screws B7. Holes are pre-drilled for screw B7.
- 2). Assemble Wheels B11 & B12 to the bottom of Side Panels A4 & A5 by Open Spanner B13.

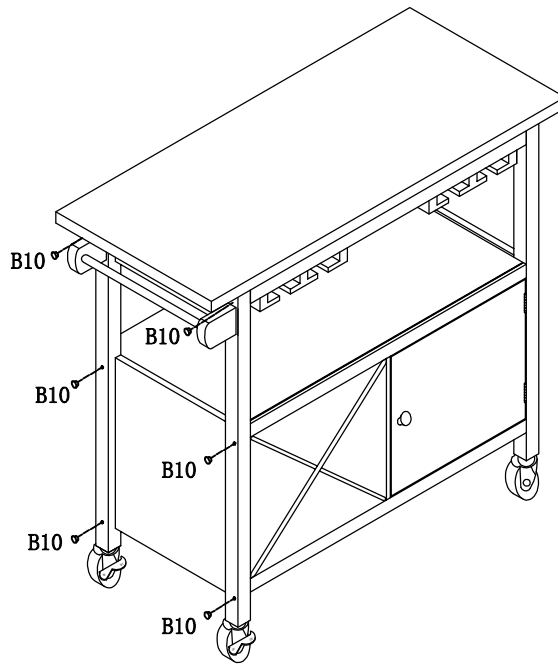
## Step 10



Cross Wine Rack Panels A9 as shown above, then put them into the left cabinet as shown above.

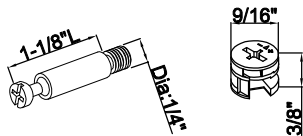
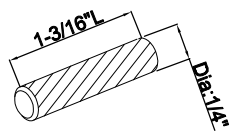
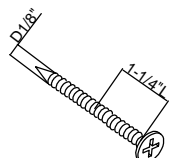
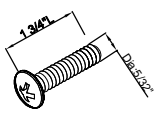
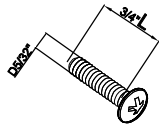
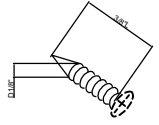
# Step 11

**B10**  **12pcs**



Carefully tap Wood Buttons B10 into Side Panel A4 & A5 to cover up the hardware.  
 Note: Too much force can cause damage to the wood buttons or kitchen cart.

## APPENDIX: Dimension of Hardwares in this AI.

<p><b>B1.</b></p>  <p><b>Camlocks</b></p>	<p><b>B2.</b></p>  <p><b>Wood Dowel</b></p>	<p><b>B3.</b></p>  <p><b>Screw</b></p>
<p><b>B4 &amp; B9.</b></p> 	<p><b>B5.</b></p> 	<p><b>B6.</b></p> 
<p><b>B7 &amp; 8.</b></p> 