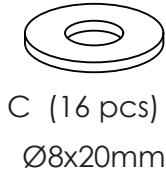
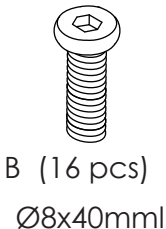
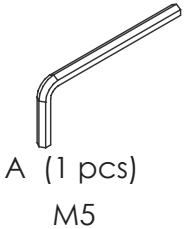
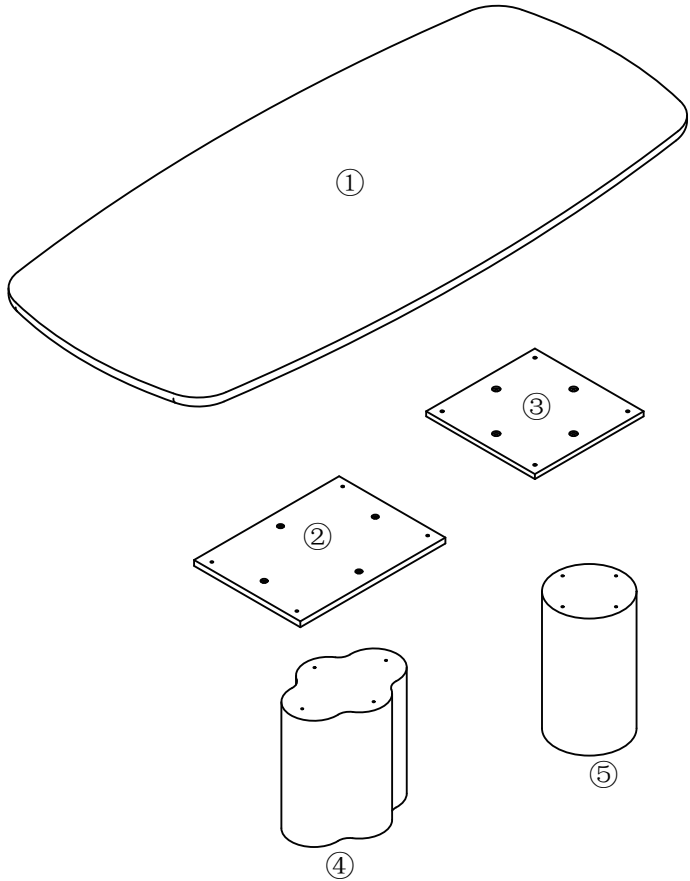
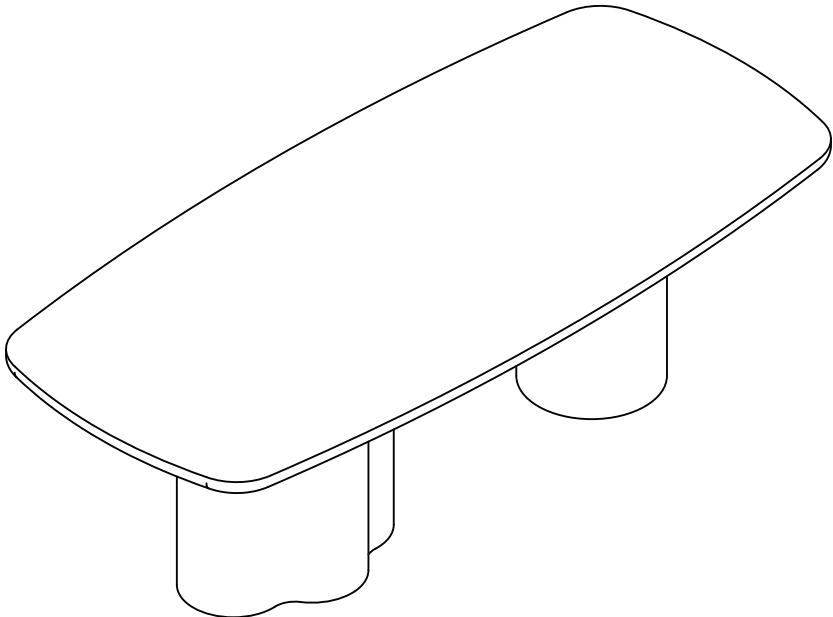


Assembly Instructions

ALVE-95 RECTANGLE TABLE

PLEASE NOTE: Check that you have received all components and hardware before assembling. If you are missing any parts, contact your retailer.

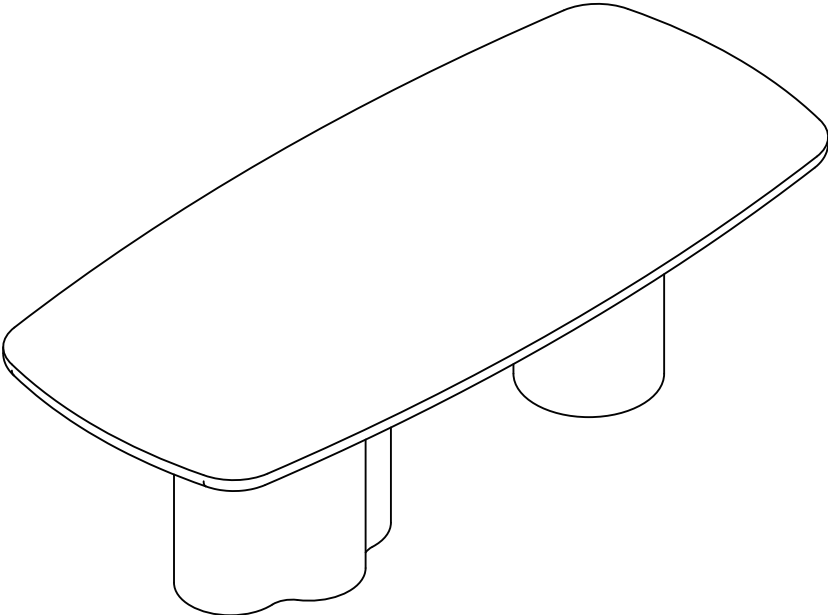


During assembly, hand tighten screws only. When the screws are in place, tighten completely.

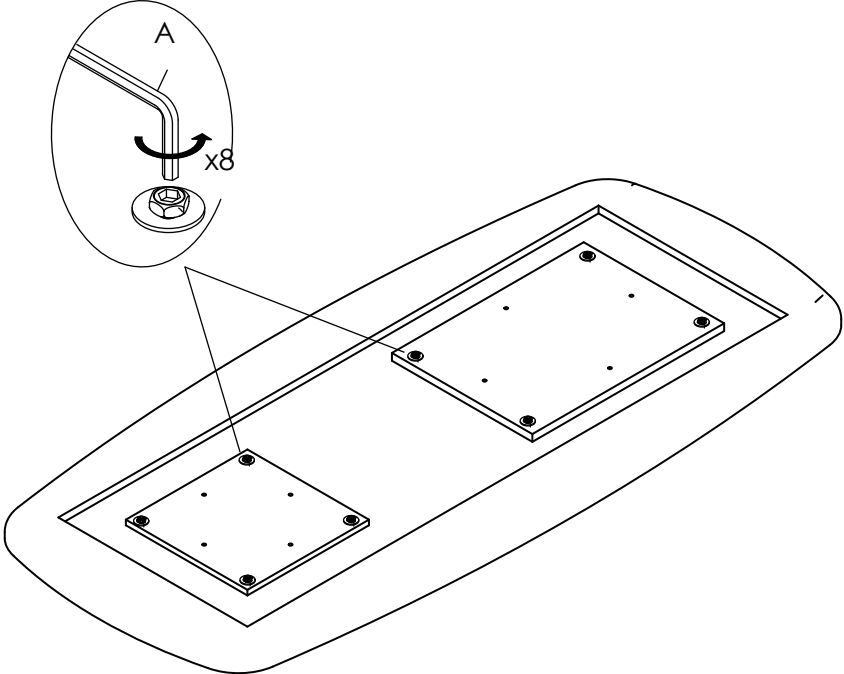
Assembly Instructions

ALVE-95 RECTANGLE TABLE

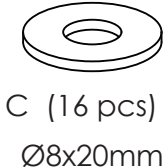
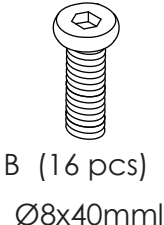
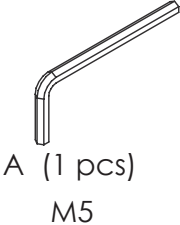
PLEASE NOTE: Check that you have received all components and hardware before assembling. If you are missing any parts, contact your retailer.



1.



Remove the connection plates before final assembly and re-use screws in the next assemble step.

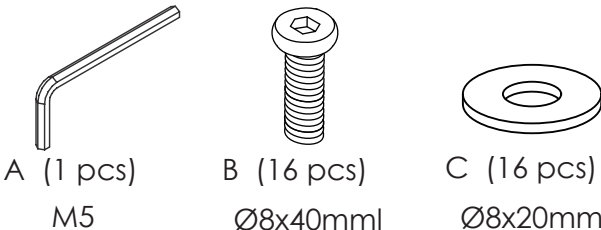
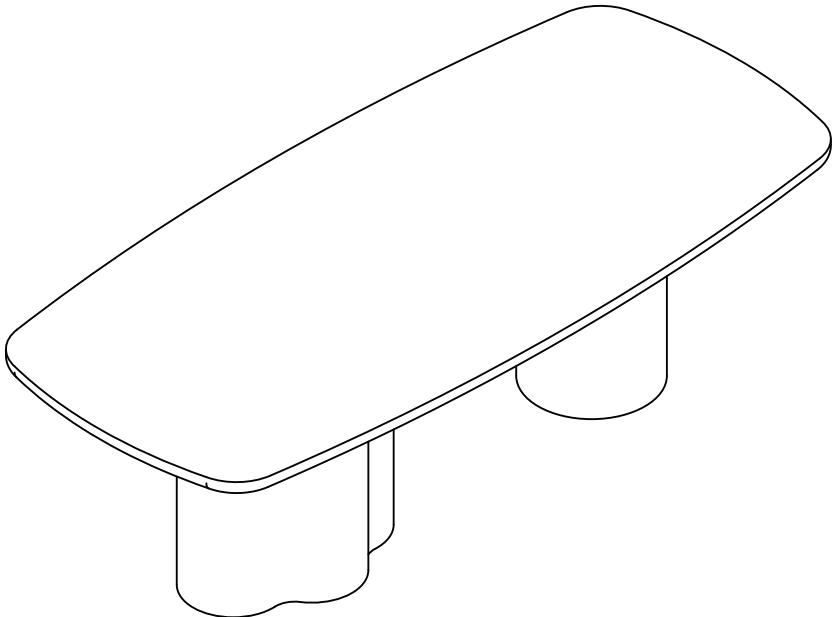


During assembly, hand tighten screws only. When the screws are in place, tighten completely.

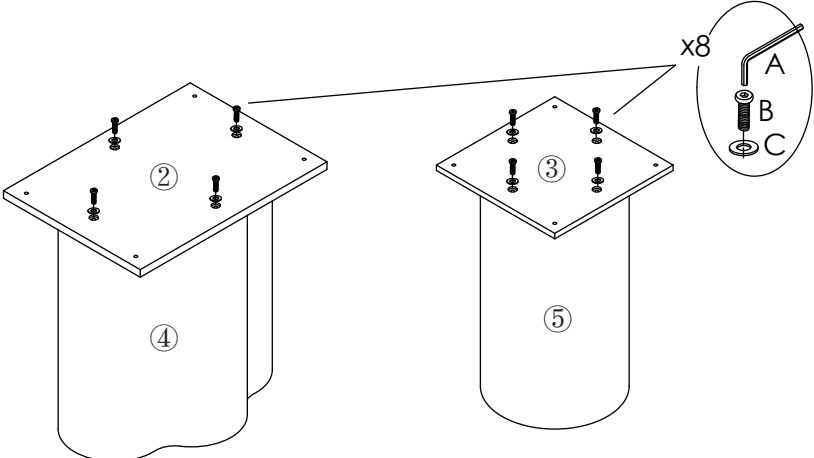
Assembly Instructions

ALVE-95 RECTANGLE TABLE

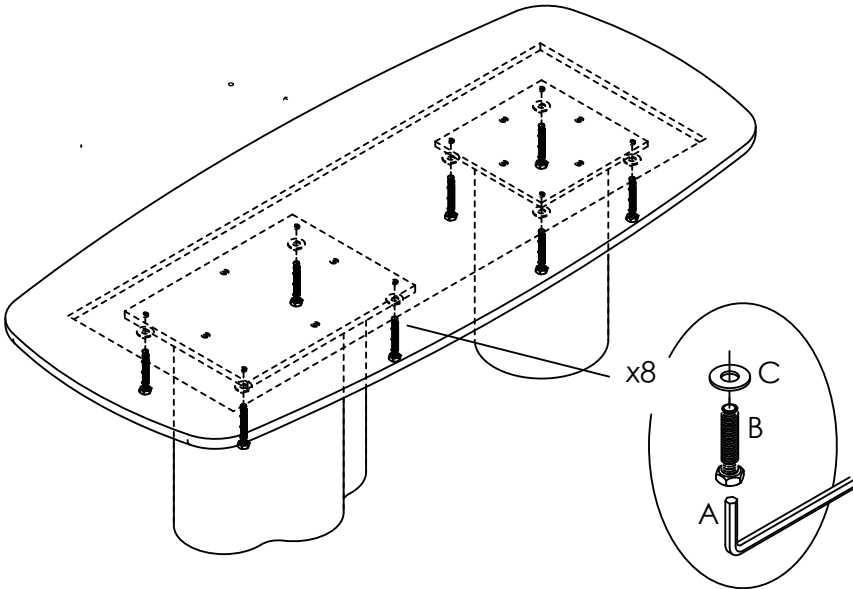
PLEASE NOTE: Check that you have received all components and hardware before assembling. If you are missing any parts, contact your retailer.



2.



3.



During assembly, hand tighten screws only. When the screws are in place, tighten completely.