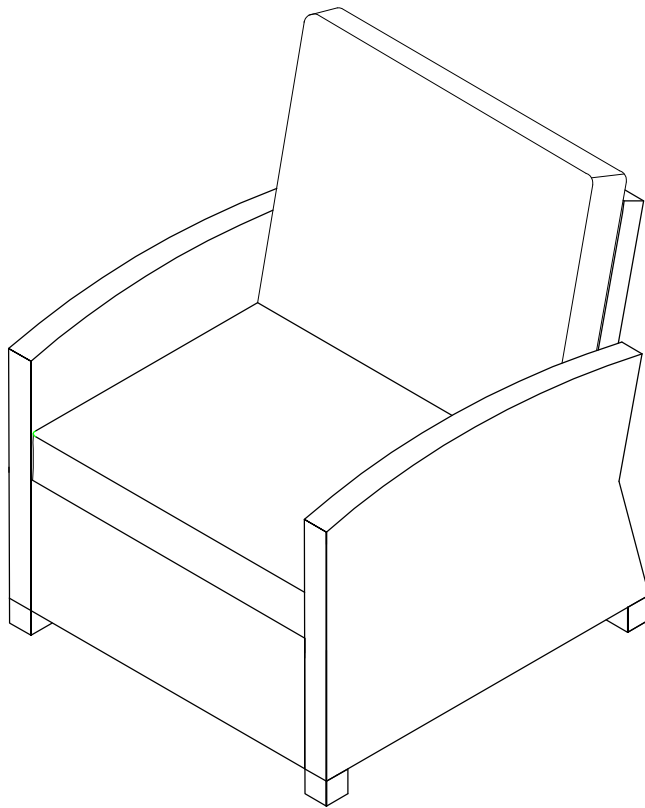


Outdoor Wicker Arm Chair

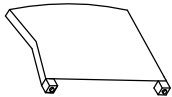
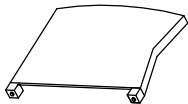
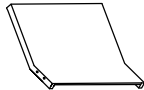
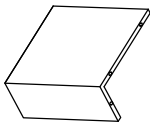
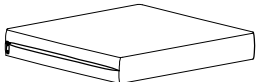
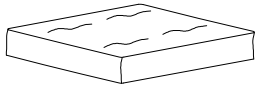
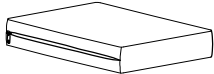



Congratulations! You have purchased a stylish piece of our Furniture. We strive to provide fine furniture products, built with quality materials and hand finished details. Please carefully follow the assembly instructions to ensure your furniture is assembled correctly to provide long lasting enjoyment.

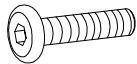
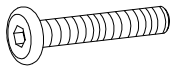
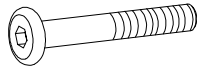
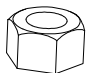

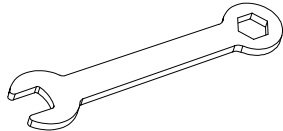

Should you experience any missing or damaged parts **do not return to the store**. Please visit our website or contact us directly .

Care: Use a soft, clean cloth that will not scratch the surface when cleaning. The use of solvents is not necessary. Should you choose to use solvents, test in an inconspicuous area first to avoid damaging the finish. To clean, simply use a soft, clean cloth lightly dampened with water.

PART LIST

 <p>Left Arm Panel</p>		 <p>Right Arm Panel</p>		 <p>Back Panel</p>	
A	1PC	B	1PC	C	1PC
 <p>Seat Panel</p>		 <p>Cover Of Seat Cushion</p>		 <p>Inner Of Seat Cushion</p>	
D	1PC	E	1PC	F	1PC
 <p>Cover Of Back Cushion</p>		 <p>Inner Of Back Cushion</p>			
G	1PC	H	1PC		

HARDWARE LIST

 <p>Short Bolt(M6*40mm)</p>		 <p>Medium Bolt(M6*55mm)</p>		 <p>Long Bolt(M6*65mm)</p>	
I	2PCS	J	4PCS	K	6PCS
 <p>Nut(M6mm)</p>		 <p>Washer(M6mm)</p>		 <p>Wrench(M6mm)</p>	
L	6PCS	M	18PCS	N	1PC
 <p>Allen Key(M6mm)</p>					
O	1PC				

EXTRA HARDWARE LIST

 I X1PC

 J X1PC

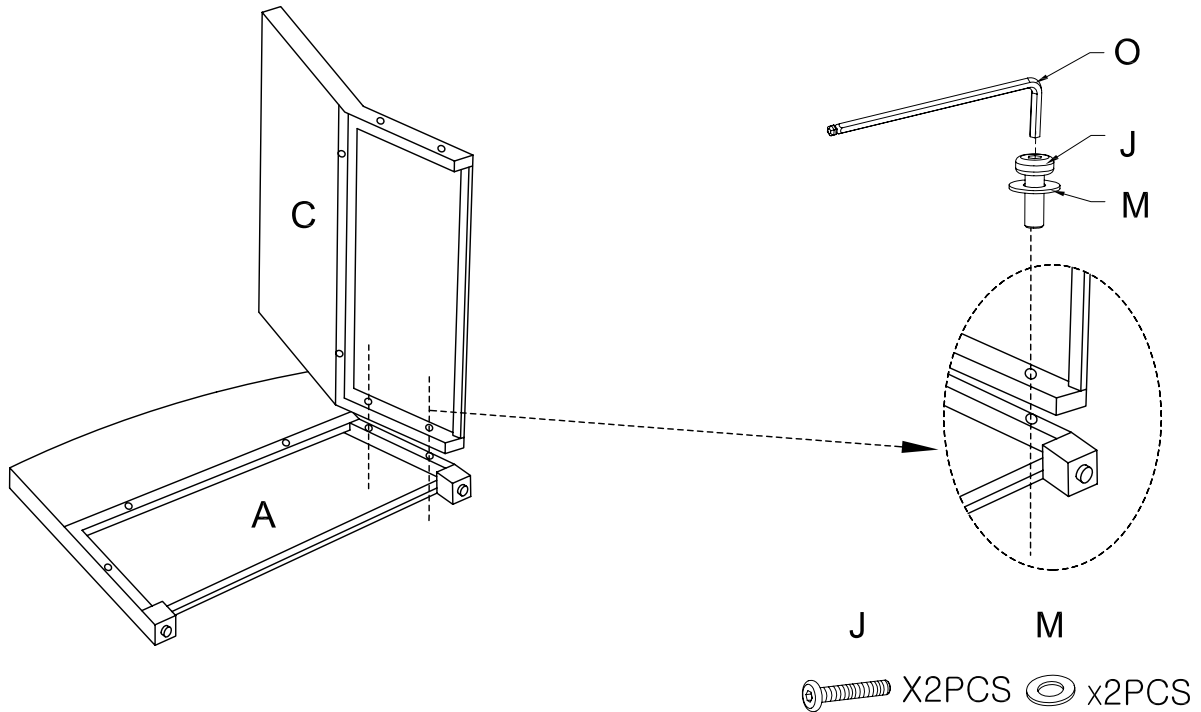
 K X2PCS

 L X2PCS

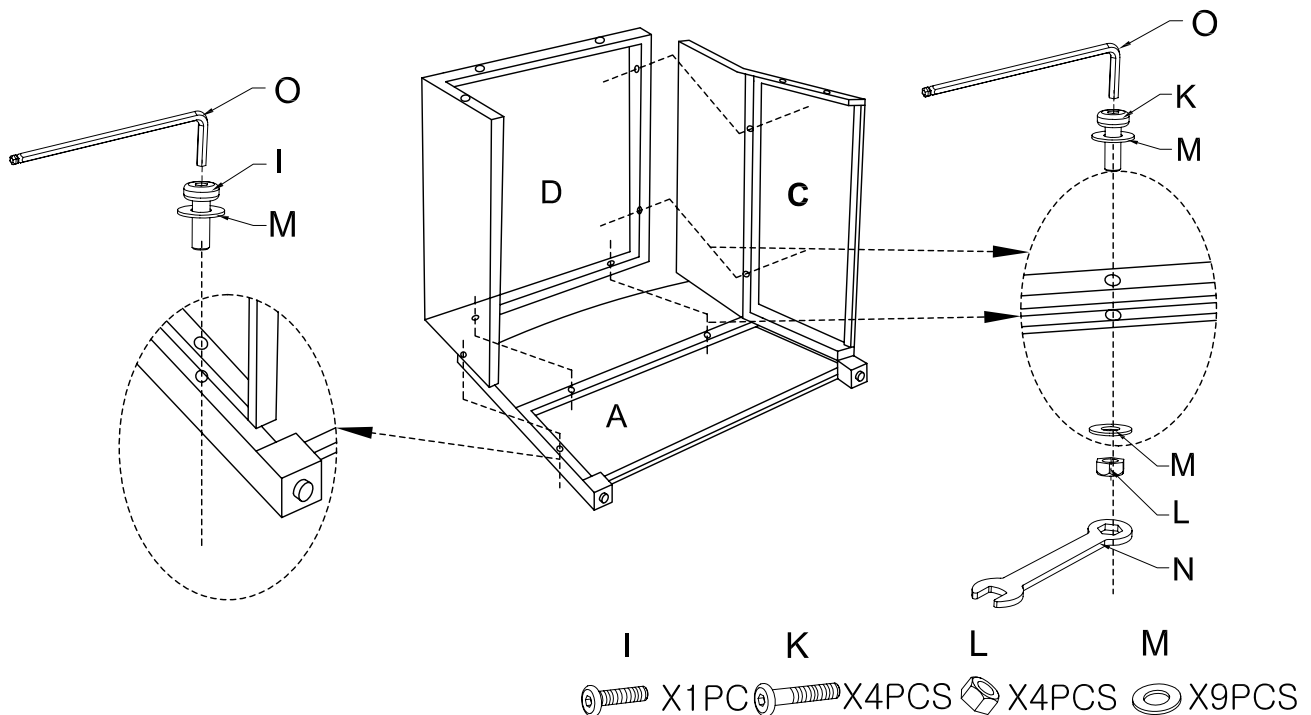
 MX3PCS

Step 1. Lay Left Arm Panel (A) down on a flat surface. Attach Back Panel(C) to Left Arm Panel(A) using the Medium Bolts(J), Washers(M) & Allen Key (O).

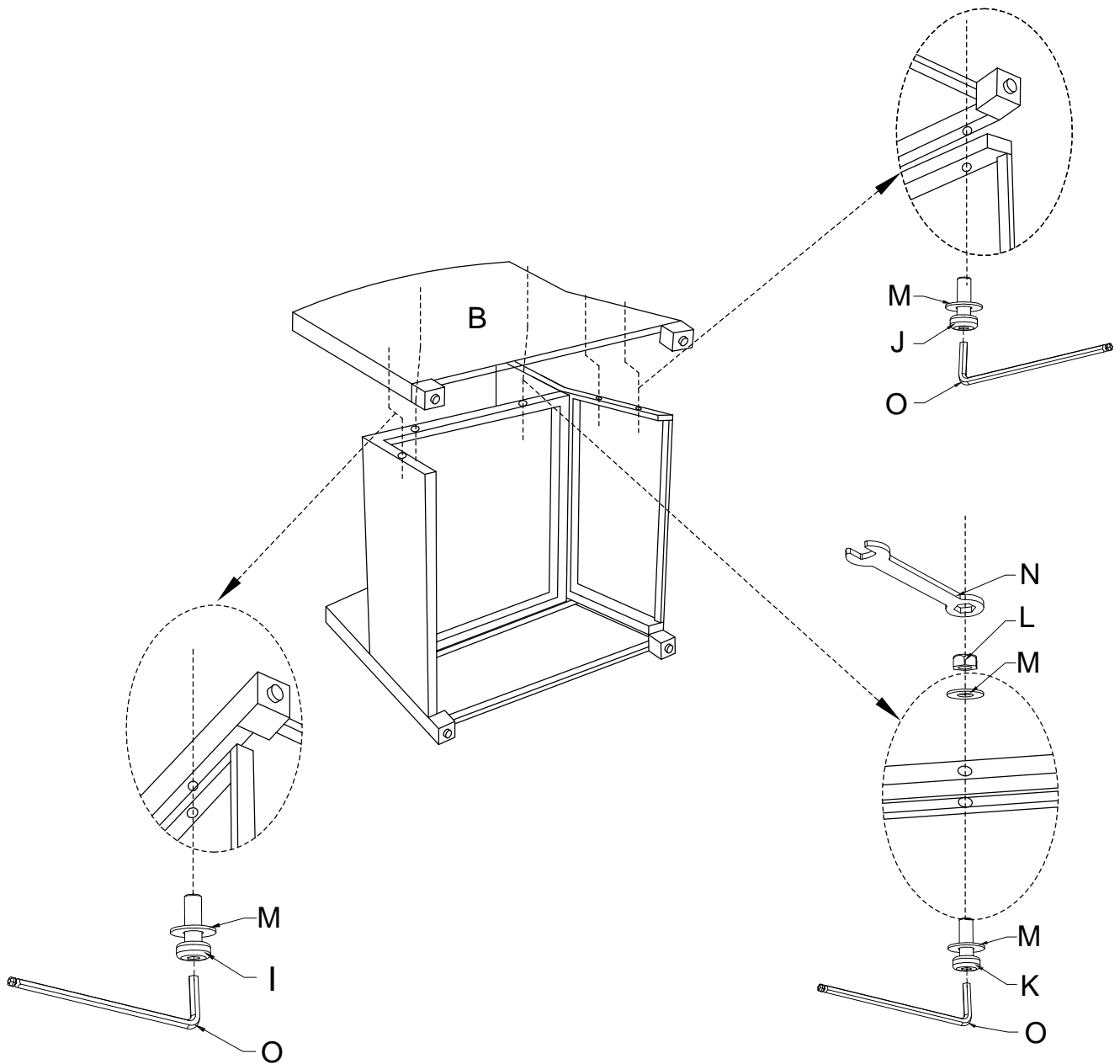
NOTE: Please do not fully tighten bolts until unit is fully assembled.


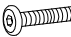





Step 2. Attach Seat Panel(D) to Left Arm Panel(A) and Back Panel (C) using the Short Bolts(I), Long Bolts(K), Washers(M), Nuts(L), Wrench (N) & Allen Key (O).

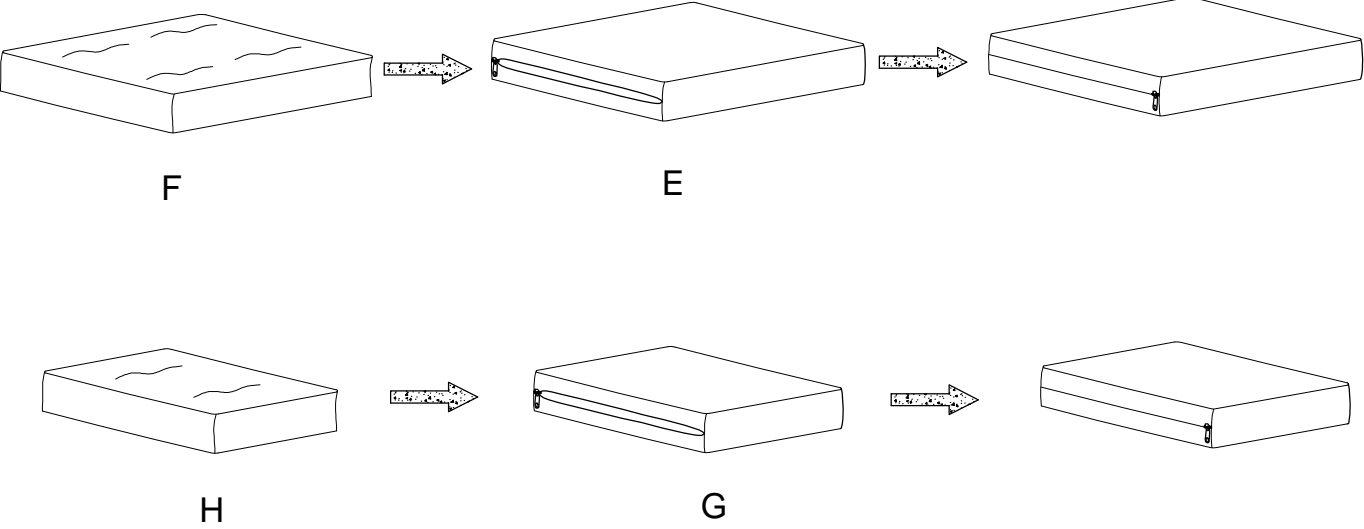


Step 3. Attach Right Arm Panel(B) to assembled parts(A,C&D) using Short Bolts (I),Medium Bolts (J),Long Bolts (K),Washers (M), Nuts (L),Wrench (N) and Allen Key (O) .

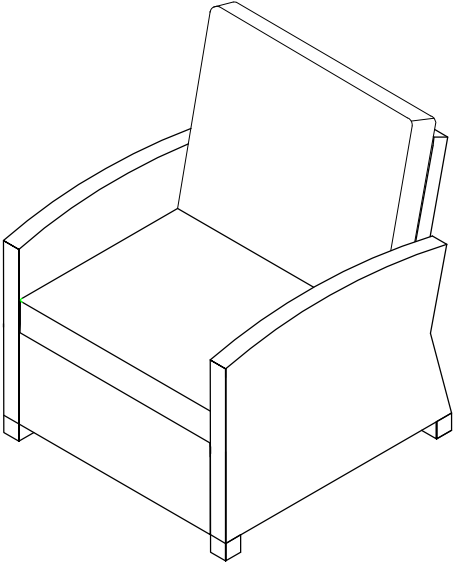


- | | | | | |
|--|---|---|---|---|
| I | J | K | L | M |
|  X1PC |  X2PCS |  X2PCS |  X2PCS |  X7PCS |

Step 4. Insert Inner Of Seat Cushion (F) into Cover Of Seat Cushion (E).
Insert Inner Of Back Cushion (H) into Cover Of Back Cushion (G).



Step 5. Place Seat Cushion and Back Cushion on the chair.



Limited Manufacturers Warranty

Our products are warranted against defects in material and workmanship for a period of 90 days beginning from the date of sale. Should any parts be missing or defective, we will replace or repair the parts for a period of 90 days from the date of purchase.

Should you experience any missing or damaged parts, do not return to the store. Please contact us directly .

This warranty gives the purchaser specified legal rights in addition to any rights which may vary from state to state.

In accordance with the "Moss-Magnuson Warranty Act" of July 10, 1975, this is termed a "limited warranty" which in no way compromises Our Furniture's high standards of Quality and Workmanship.