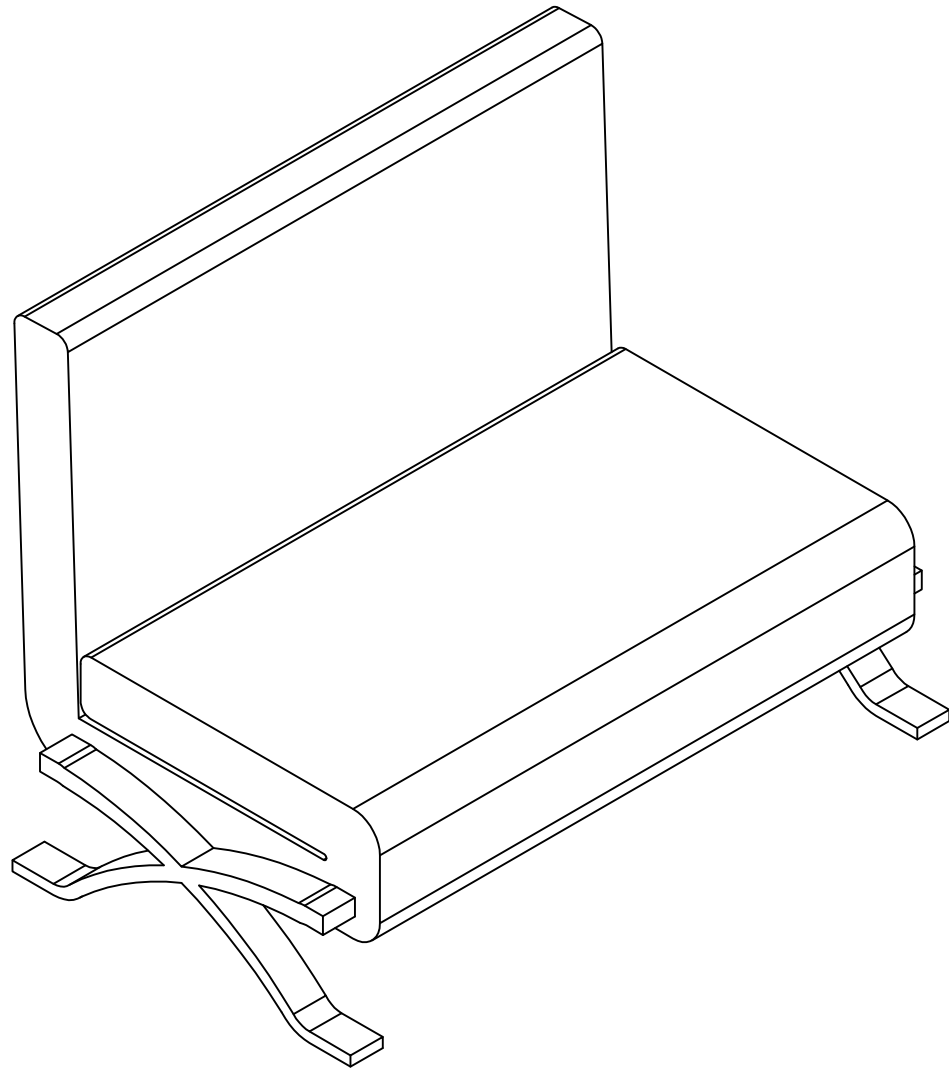


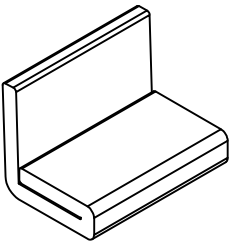
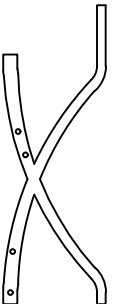
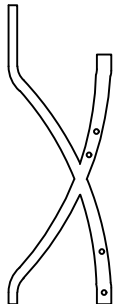
Assembly Guide

Sofa Bed

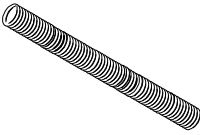
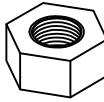
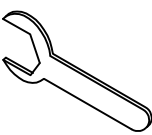
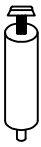
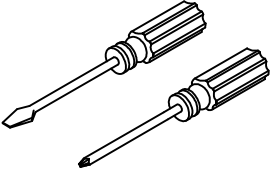


Tips: Do not throw away packing materials until assembly is complete for small parts may come loose inside the carton during shipment. If parts are missing, please contact us. Assemble this item on a soft surface, such as carpet to protect the finish.

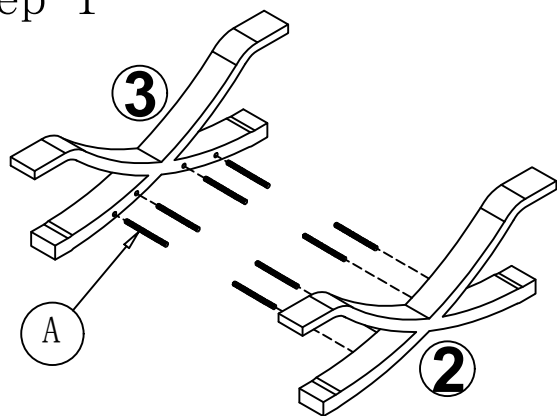
PARTS LIST

① 	② 	③ 	
sofa=1	left foot=1	right foot=1	

HARDWARE LIST

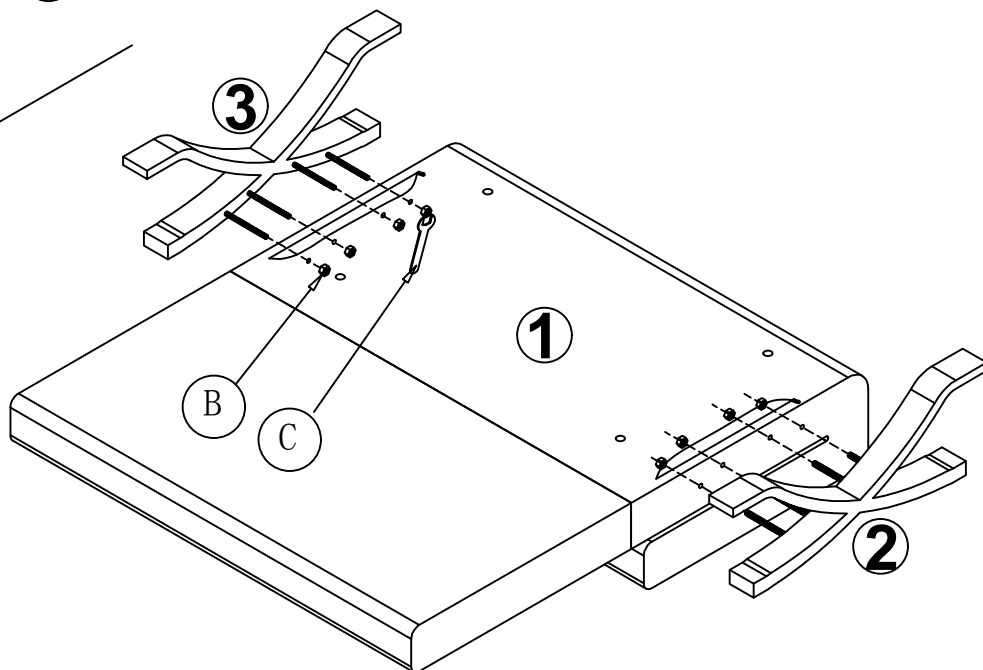
A 	B 	C 	D 	
M8*100 rods=8	screw nuts=8	spanner=1	middle leg=4	phillips head screw driver required for assemble---not include

Step 1



Firstly, install part (A) on the ② and ③, and then open the zipper of the ①sofa, align to the hole of the ① sofa and insert (A). Install part (B), and tighten up.

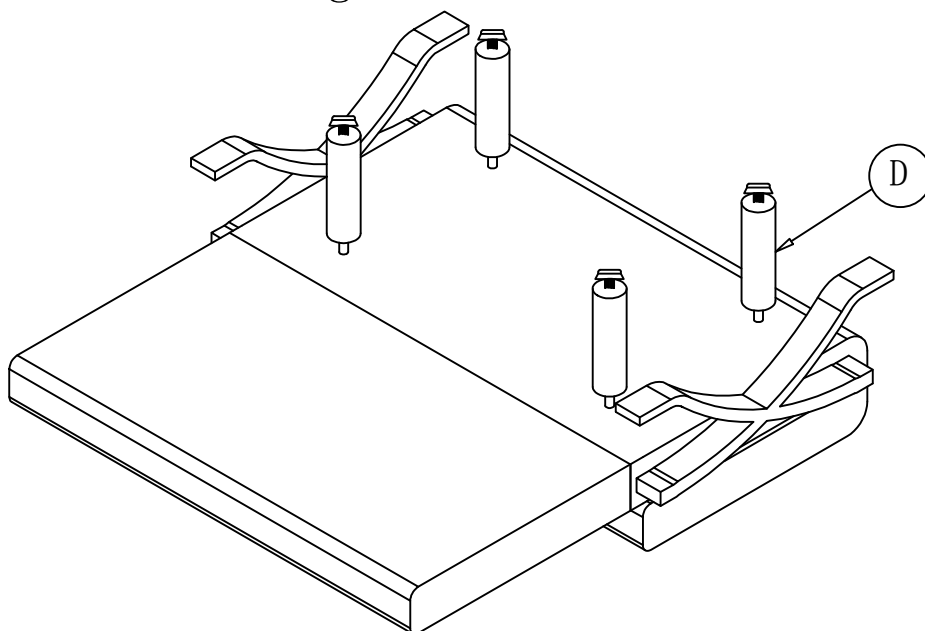
Step 2



Step 3

Kindly note:

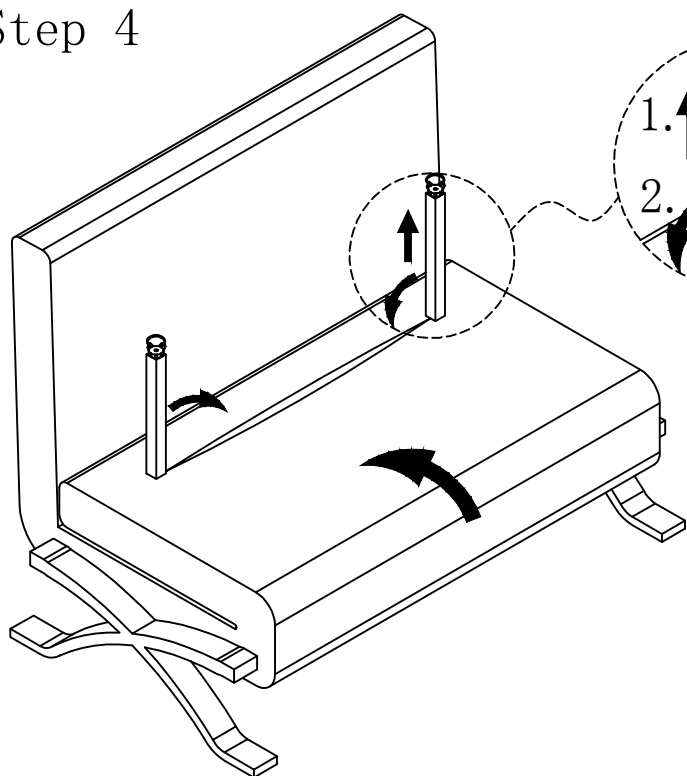
- a. 0.7m and 0.9m sofa has not middle leg.
- b. 1.1m sofa has four pcs adjustable middle legs.



Assembly middle leg and sofa:

Install four pcs middle legs on the sofa along the hole position.

Step 4



The front support foot inside the sofa needs to be pulled up so that can put it away.

The support foot of the sofa back, can be directly put away.

