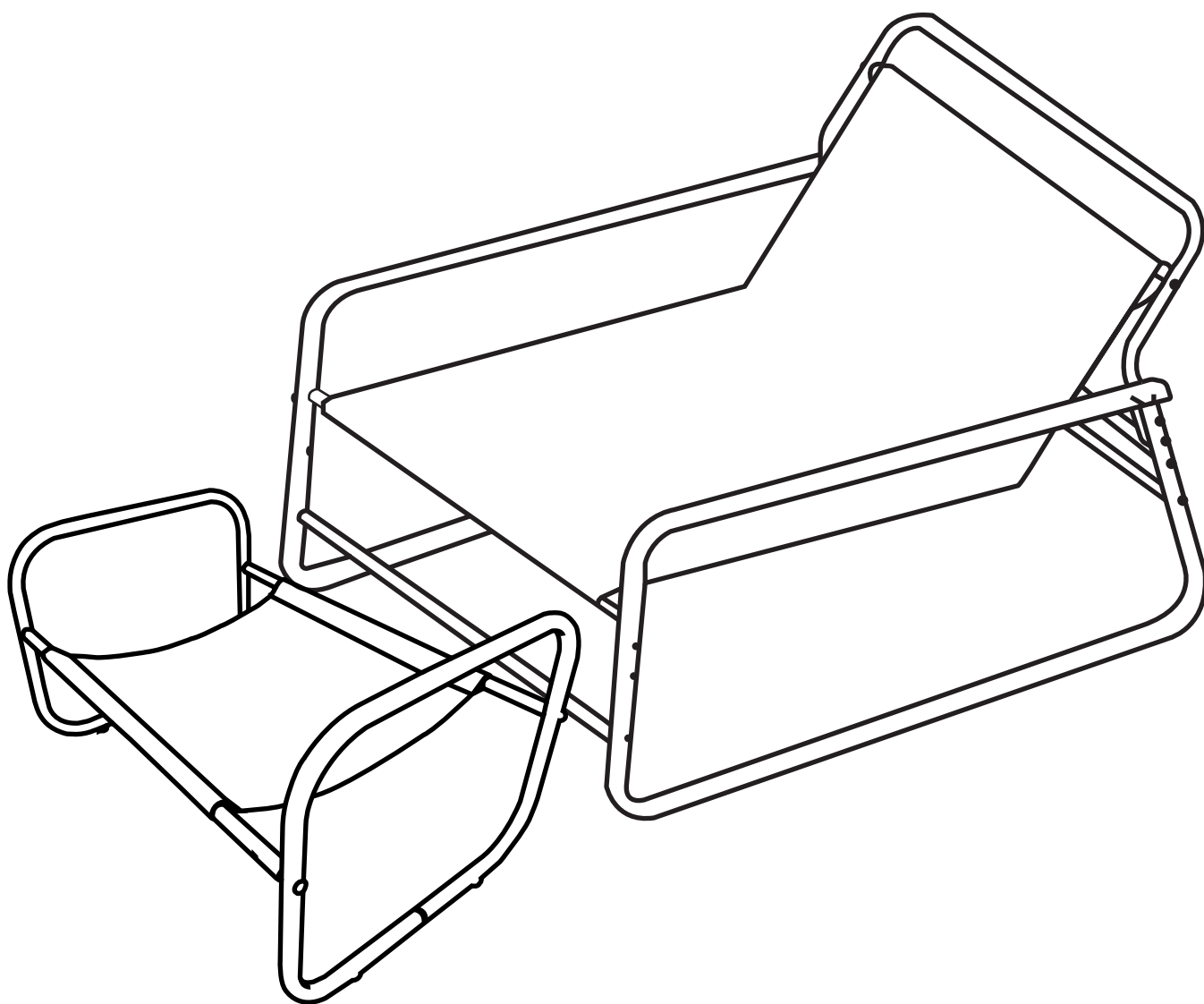


INSTALLATION INSTRUCTION

(US)

METAL LOUNGE CHAIR WITH OTTOMAN



WARNING

- To avoid the risk of suffocation and foreign-body ingestion, keep children under three years old and pets away from plastic bags and small parts during assembly. Please dispose of the packaging materials correctly before use.
- Before sit on the seat, ensure it has been well settled and securely positioned.
- DO NOT leave children unattended on or beside the chair.
- DO NOT use the chair as a step stool.
- DO NOT sit on the edge of the seat, armrests or the backrest as this could make the chair tip over.
- Requires 2 people for ease of assembly!
- The chair can bear a weight of 227kg/500lbs. Sitting on the footstool is prohibited

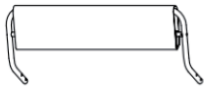











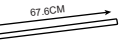
WARRANTY

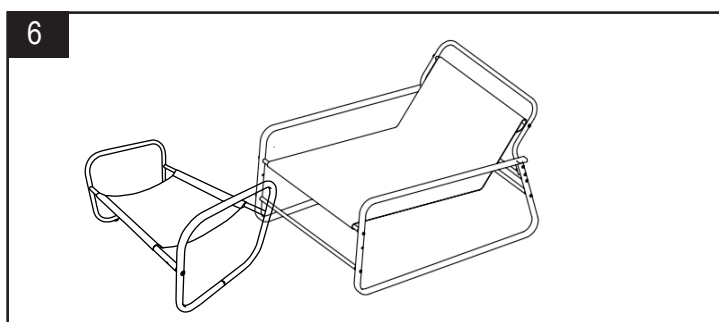
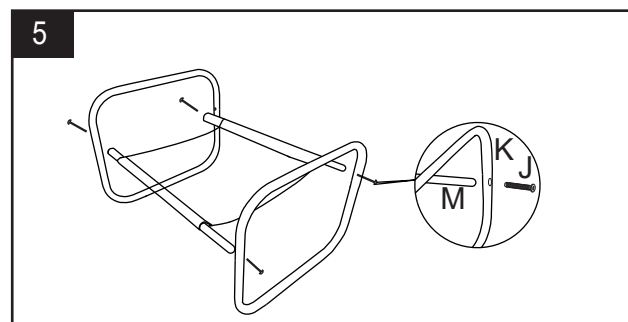
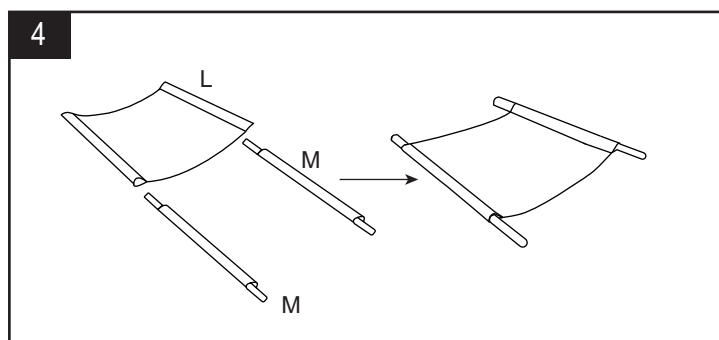
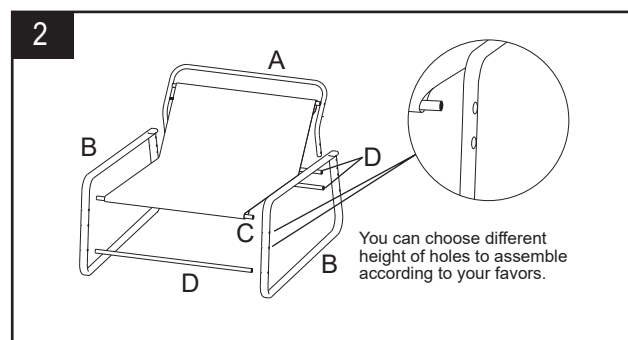
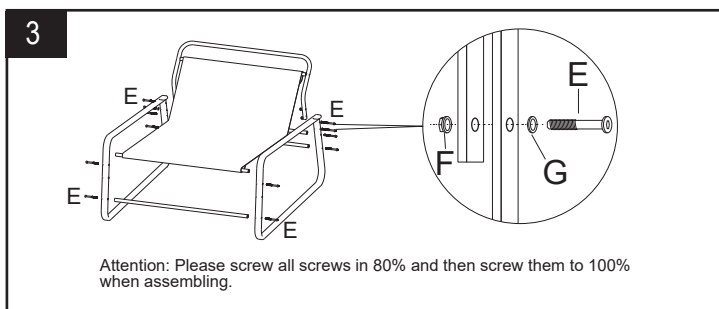
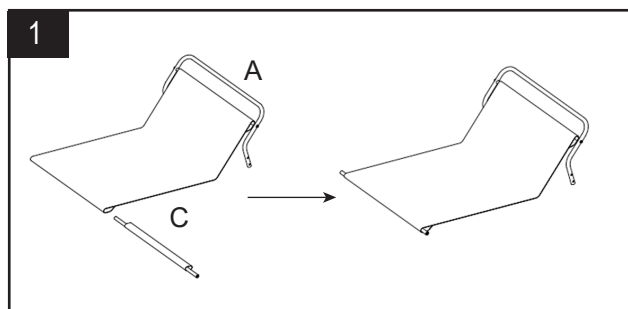
- We offer every customer every chair 1-year warranty.
- Any questions or advice, welcome to contact us via sincereservice@hotmail.com(US), every email will receive a satisfied & prompt response.

CARE & MAINTENANCE

- Do not wash, bleach, tumble dry,iron,dry clean.
- Vacuum clean.
- Wipe clean with a damp cloth.
- To prevent fading, keep fabric out of direct sunlight.

Assembly Instruction Manual

A  Head Frame with cloth×1	B  Upright Frame×2	C  Strengthened Link Tube×1	D  Link Tube×3	E  Bolt×12+1
F  Flange Nut×4+1	G  Washer×4+1	H  Allen Wrench×1	I  Flat Wrench×1	J  M8*40 full-tooth inner hexagon×4+1
K  footstool frames×2	L  mesh fabric for footstool ×1	M  footstool connecting tubes×2		



Dear Valued Customer,
Thanks for your big understanding. You are a very nice customer.
Any question or problem, do feel free to contact us. We will reply you within 24 hours.