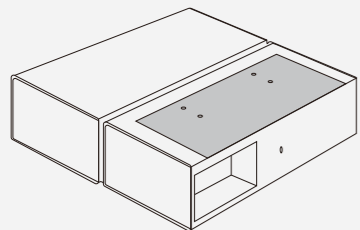


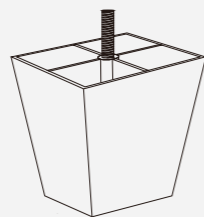
CARTON A PART LIST

A Armrest / Backrest



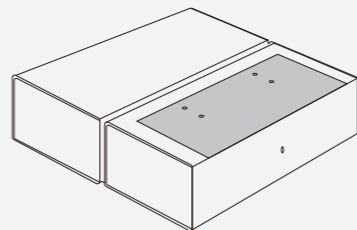
x1

D Plastic Leg



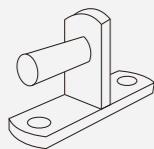
x2

E Armrest / Backrest



x1

1 Armrest / Backrest Fitting



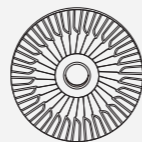
x4

2 Screw



x8

3 Plastic Washer



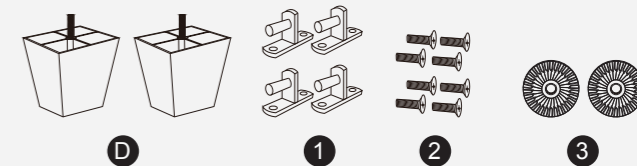
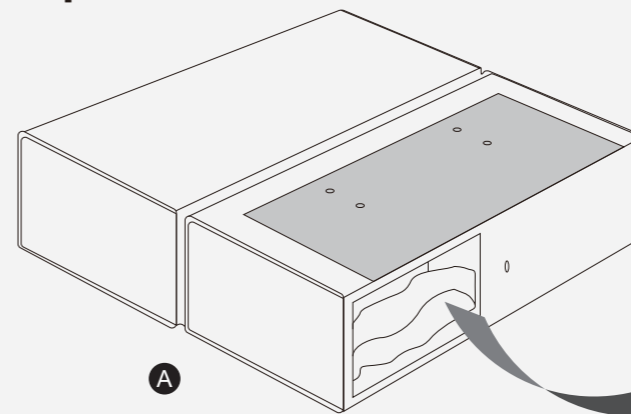
x2

CARTON A ASSEMBLY

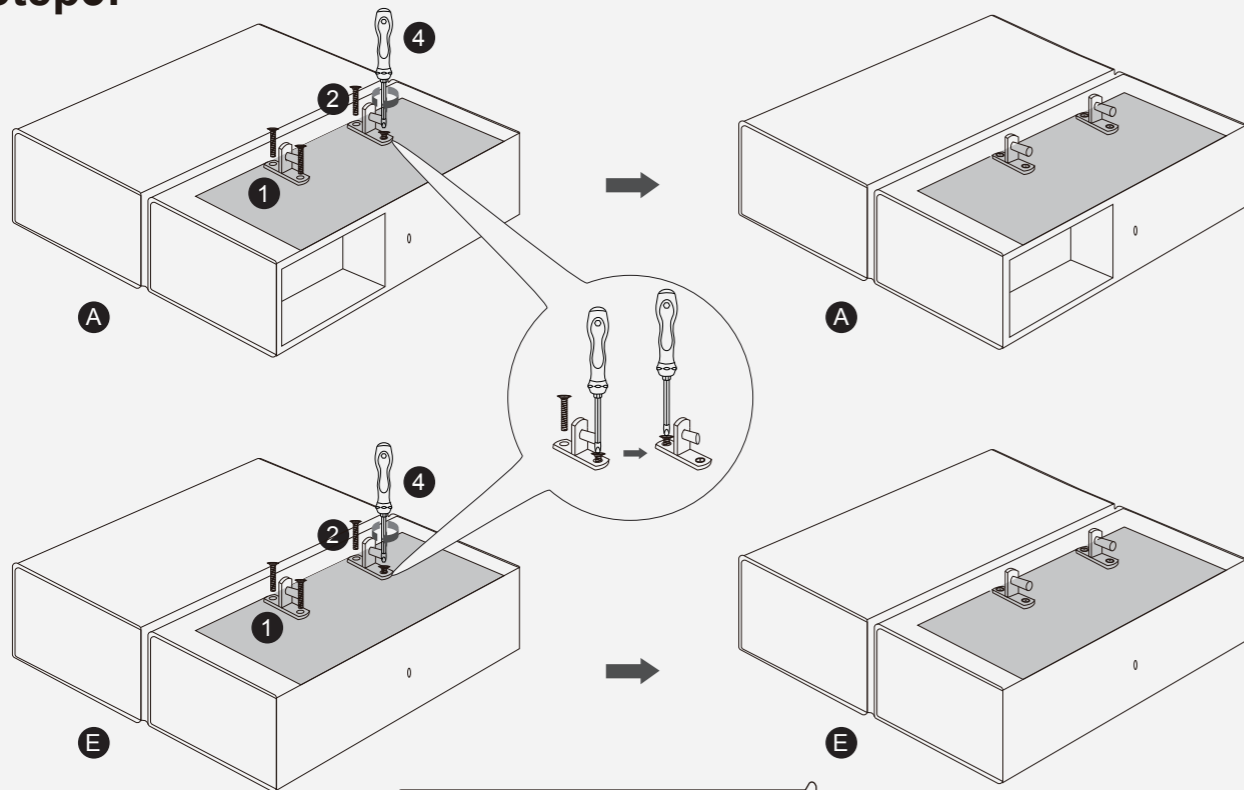
Step1:

Armrests/ Backrests are in carton A, Remove all parts from the carton A, Place them on protected surface or carpet.

Step2:

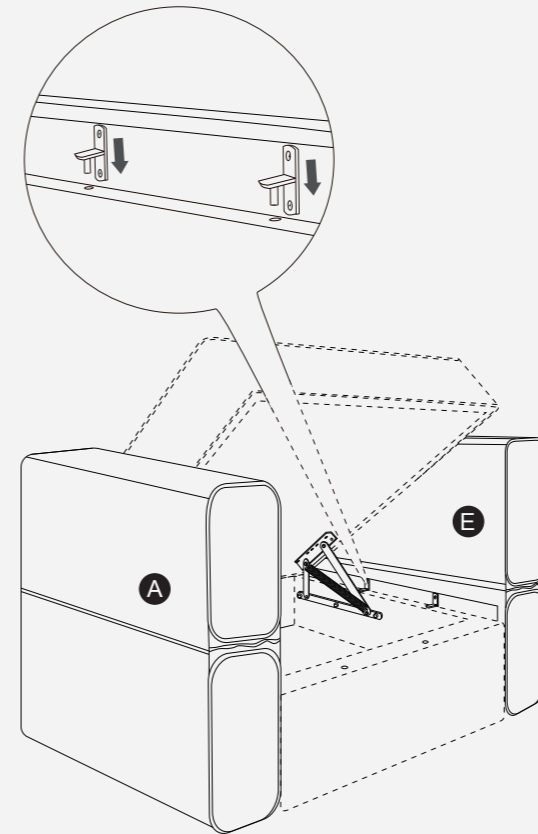


Step3:

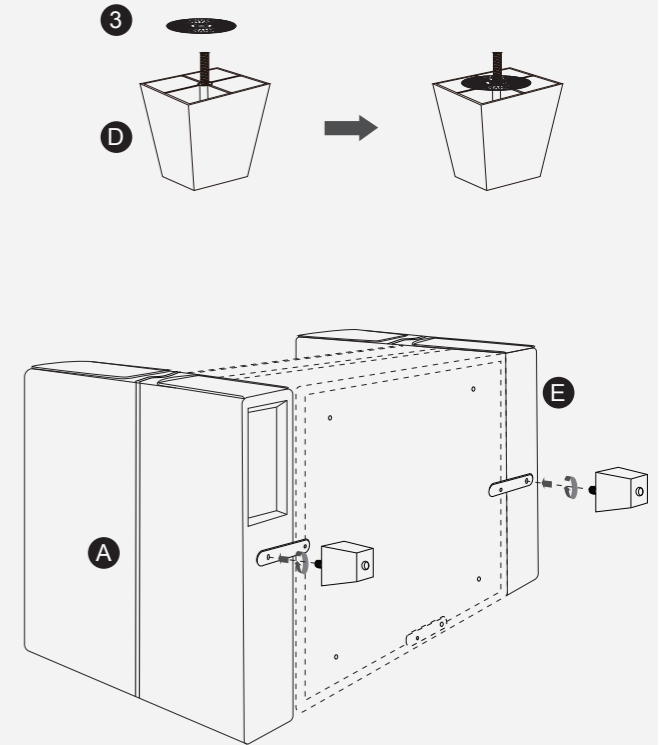


Please tighten the screws with screwdriver

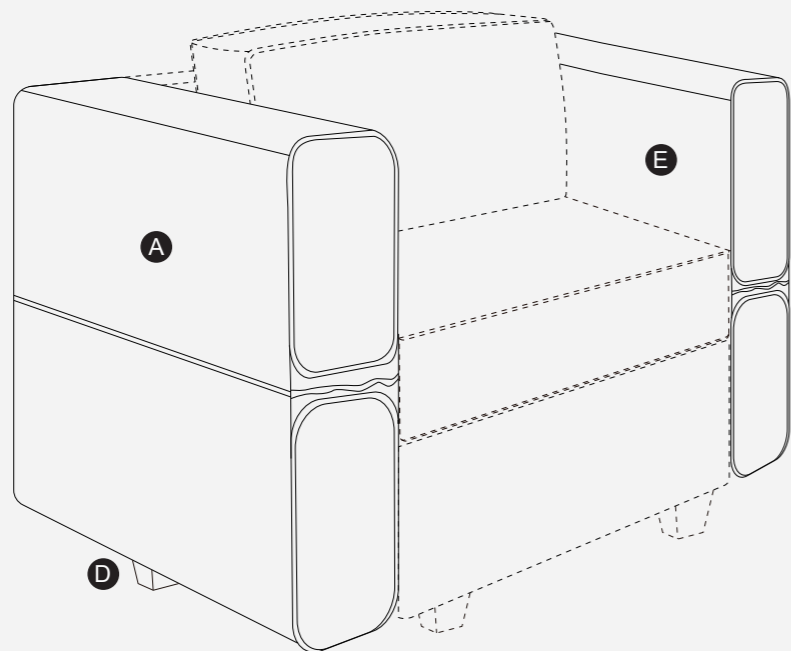
Step4:



Step5:



Step6:



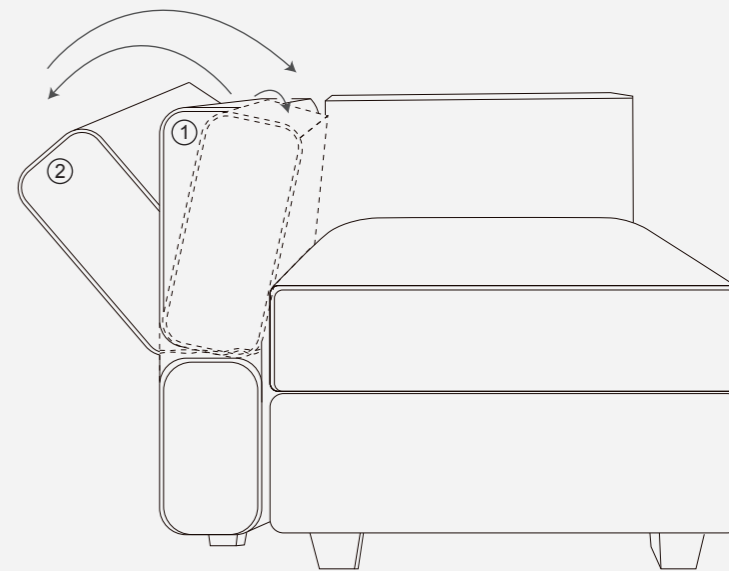
ARMREST / BACKREST ADJUSTMENT

The armrests/backrests are adjustable continuously by "pull" or "push".

To adjust the armrests/backrests, just pull it to dotted line position (as the picture shows) to get reset first then pull the arm/back frame to the desired position.

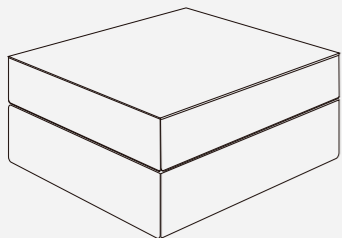
Please note that the maximum angle of pulling is 135°.

You can push the armrest/backrest back directly and there is no need to get reset.



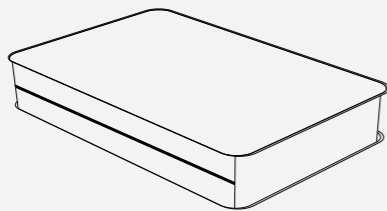
CARTON B PART LIST

B Single Seat Frame



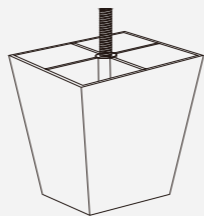
x1

C Pillow



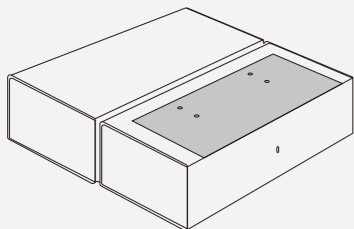
x1

D Plastic Leg



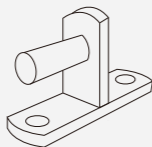
x5

E Armrest / Backrest



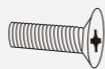
x1

1 Armrest / Backrest Fitting



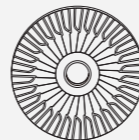
x2

2 Screw



x4

3 Plastic Washer



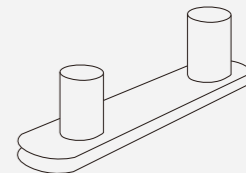
x5

4 Screwdriver



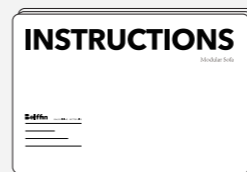
x1

5 Single Seat Fitting



x2

6 Assembly Instructions



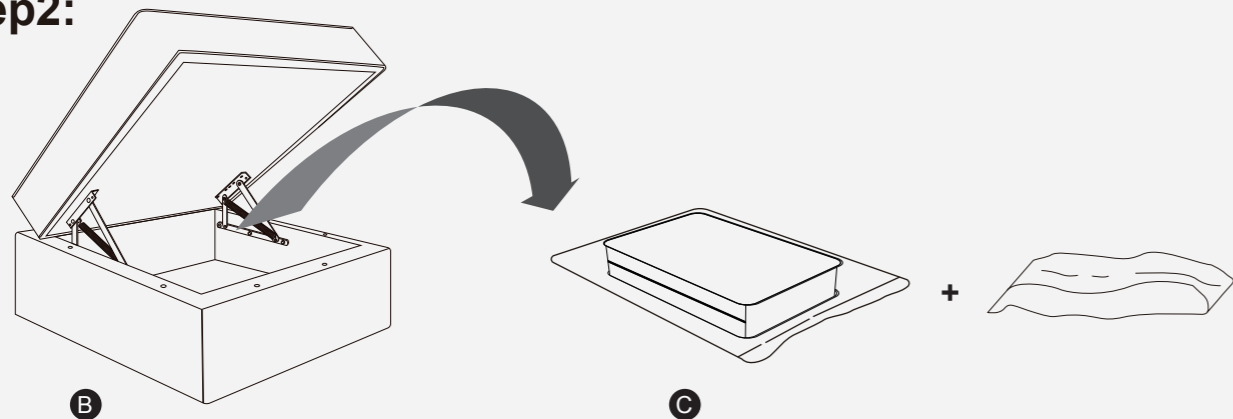
x1

CARTON B ASSEMBLY

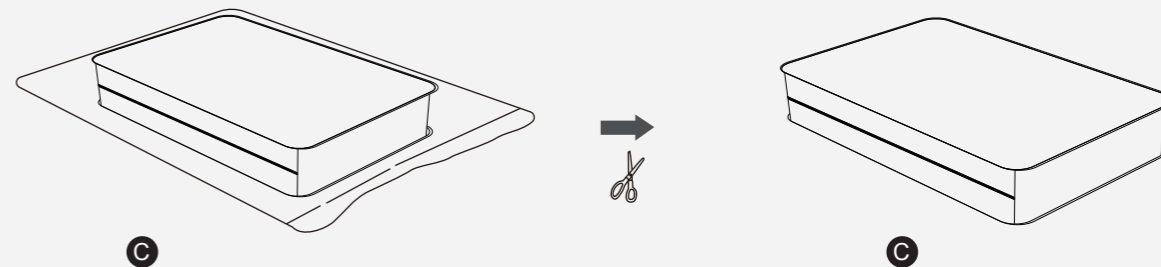
Step1:

Seat frame and armrest/backrest are in carton B ,Remove all parts from the carton B,Place them on protected surface or carpet.

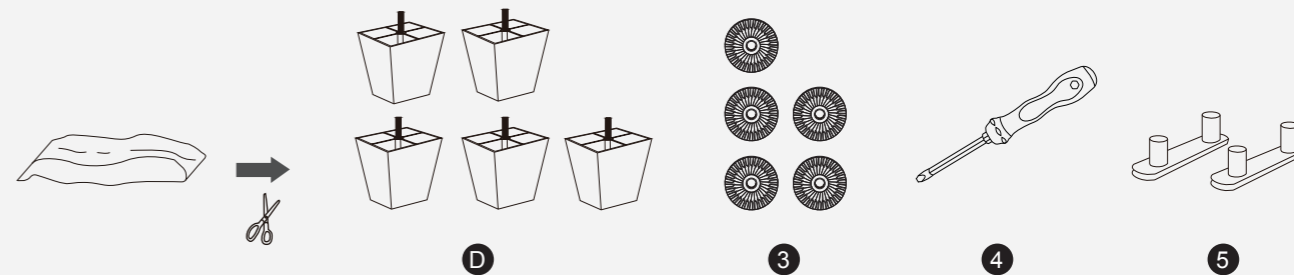
Step2:



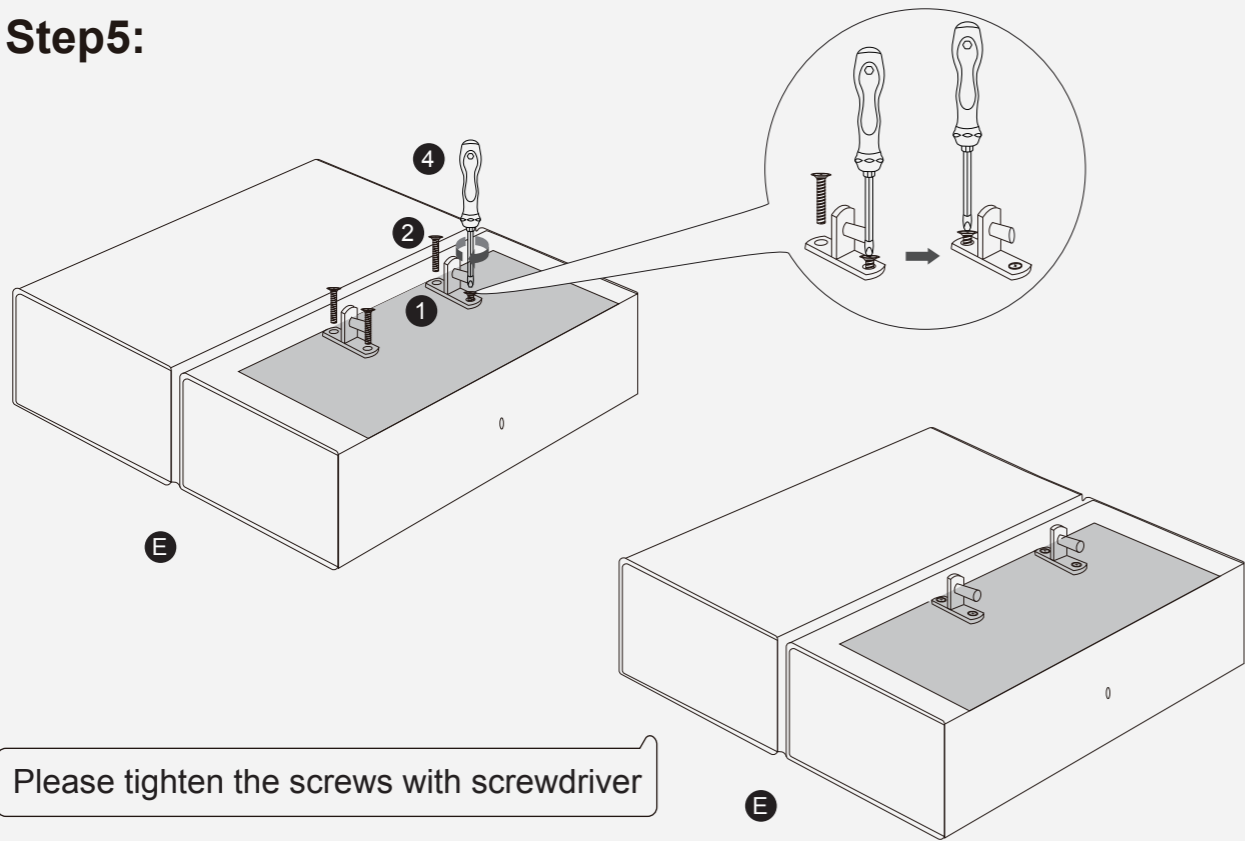
Step3:



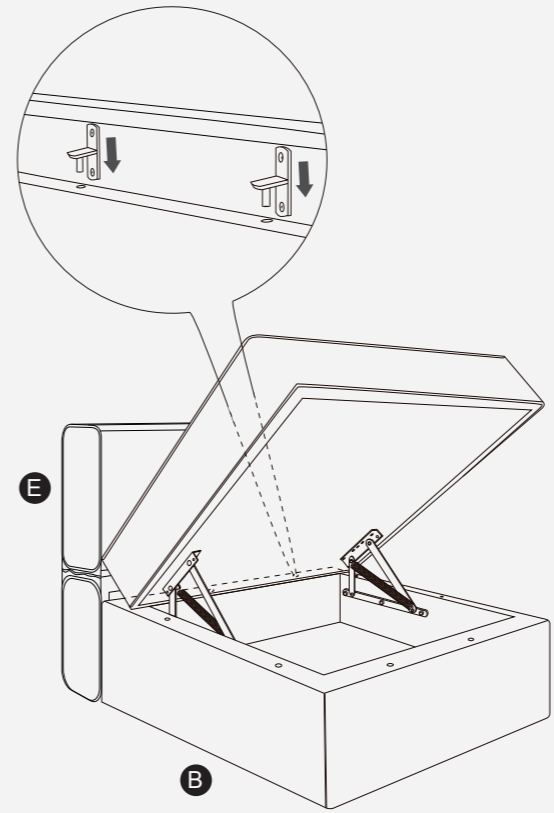
Step4:



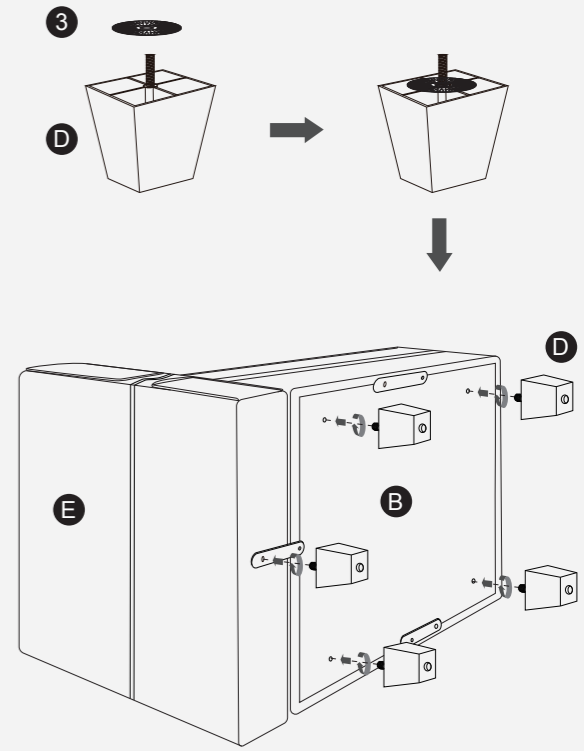
Step5:



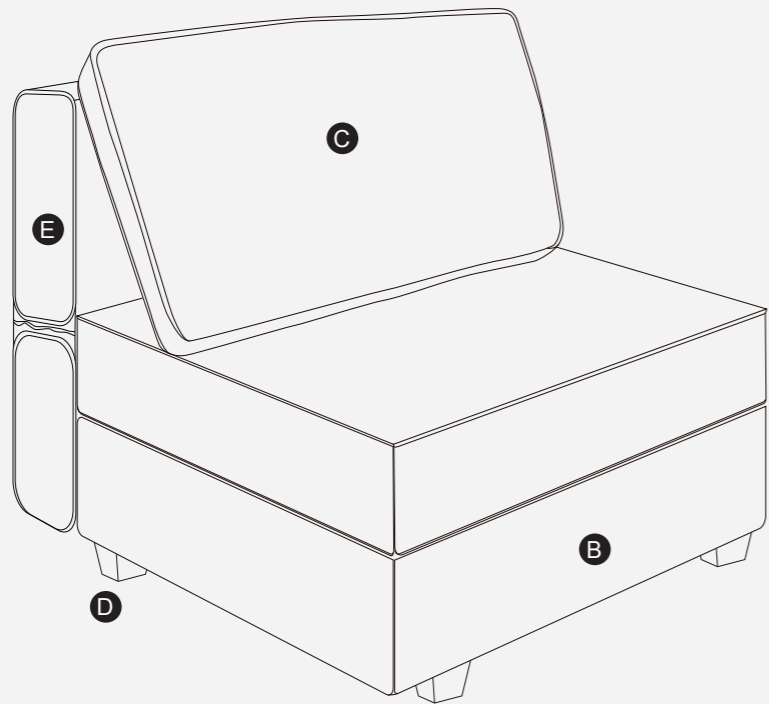
Step6:



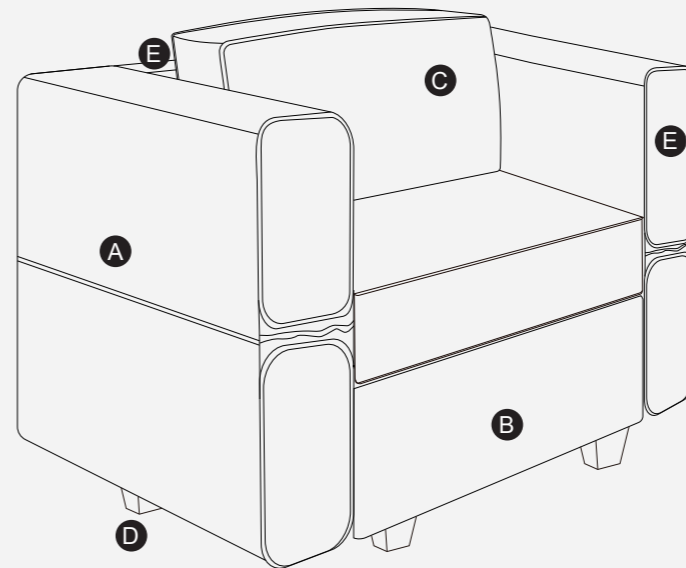
Step7:



Step8:



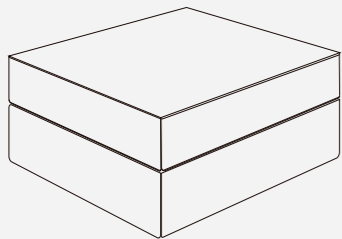
CARTON A + CARTON B



The single sofa chair is made up of 1*CartonA and 1*CartonB

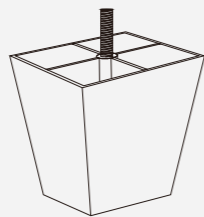
CARTON C PART LIST

B Single Seat Frame



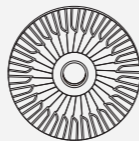
x1

D Plastic Leg



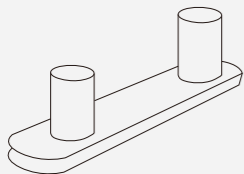
x4

3 Plastic Washer



x4

5 Single Seat Fitting



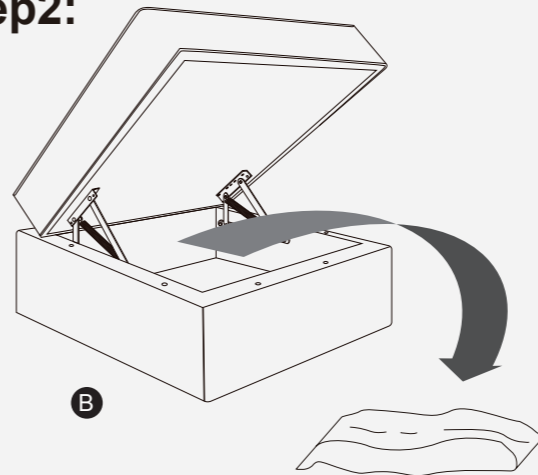
x2

CARTON C ASSEMBLY

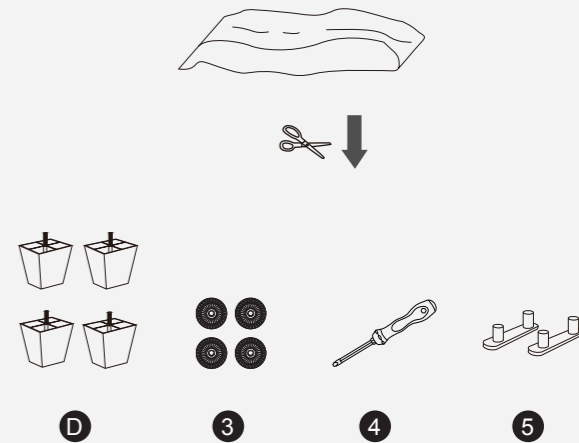
Step1:

Seat frame is in carton C ,Remove all parts from the carton C,Place them on protected surface or carpet.

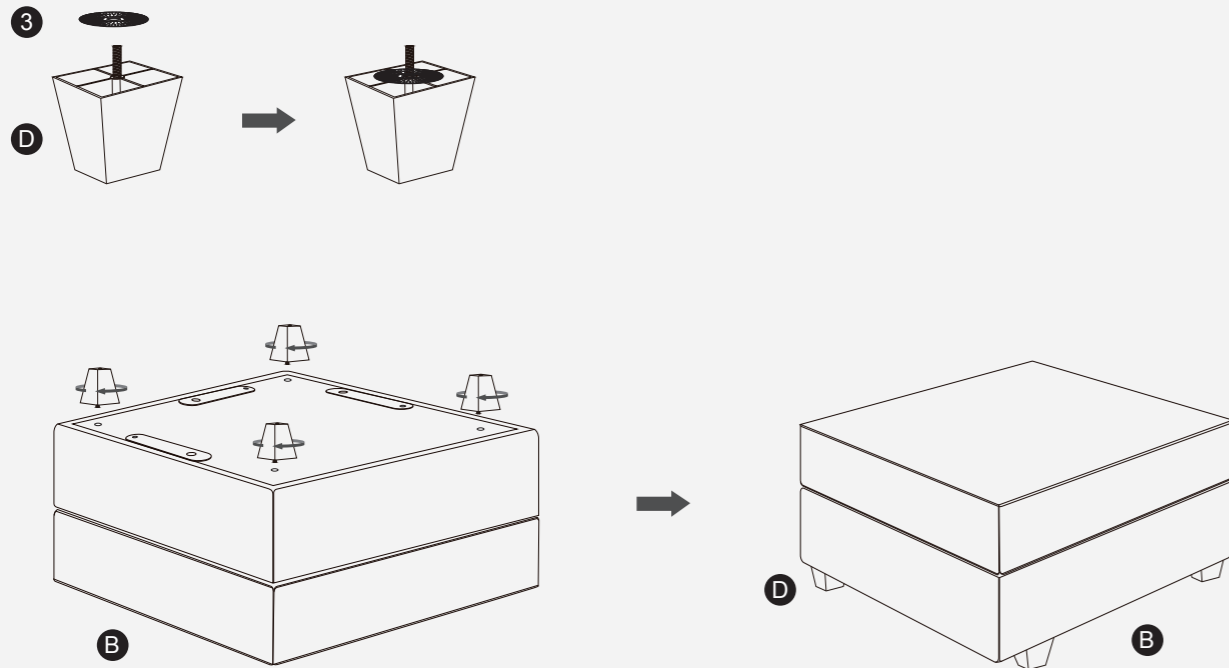
Step2:



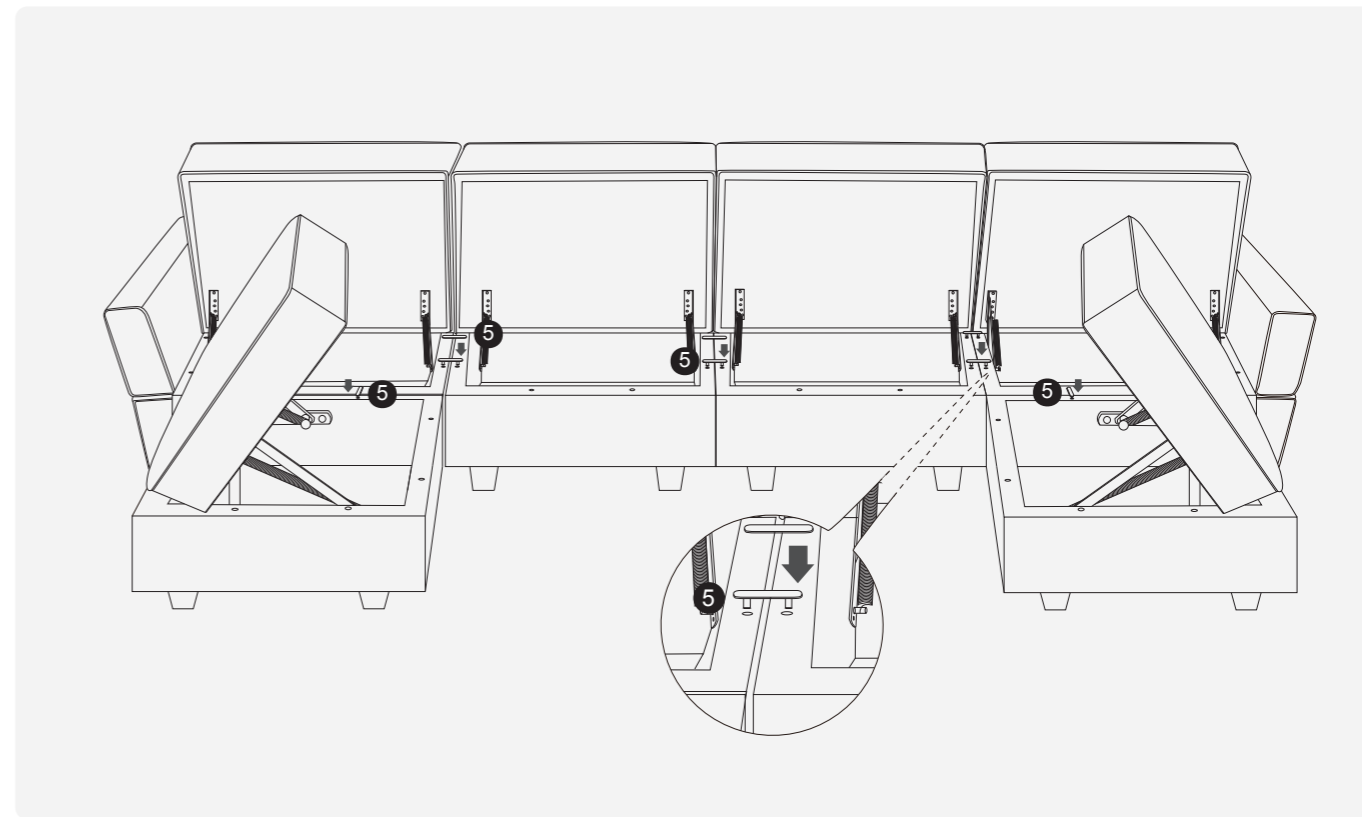
Step3:

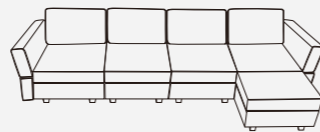
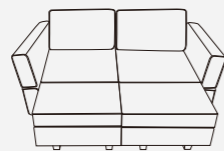
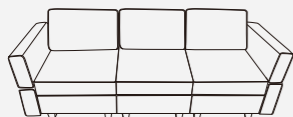
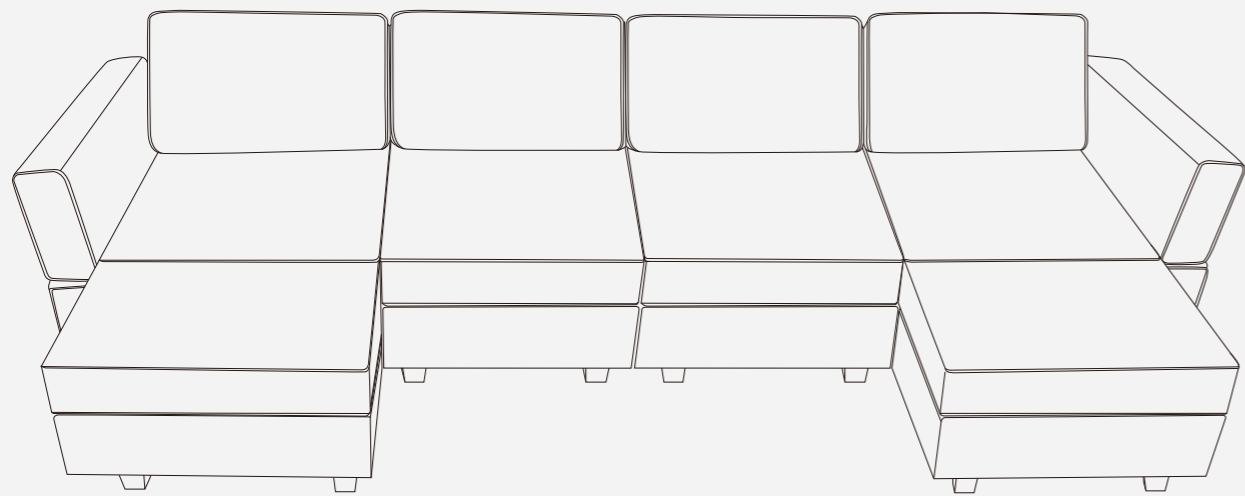


Step4:



MULTI-SEATER SOFA ASSEMBLY





• • • •