

Accessories

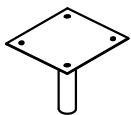
Assembly Instruction

1



1PC

2



1PC

3



1PC

4



4PCS
M6*40MM

5



4PCS

6

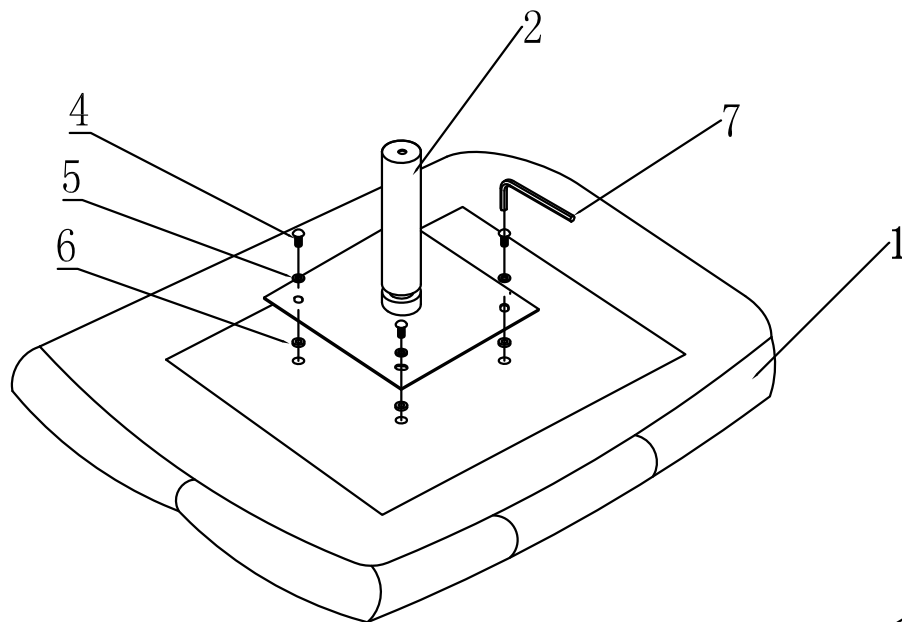


4PCS
Ø20*5MM

7

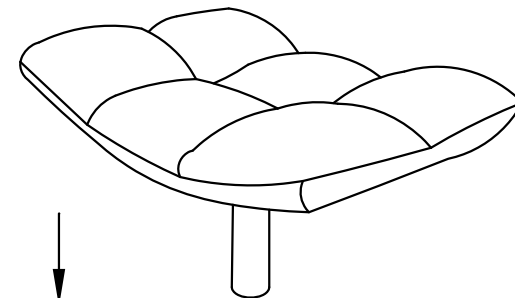


1PC



①

②



③

3

