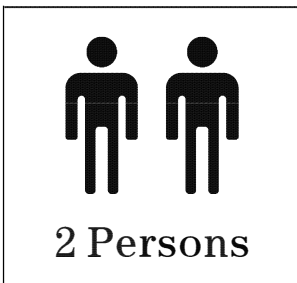
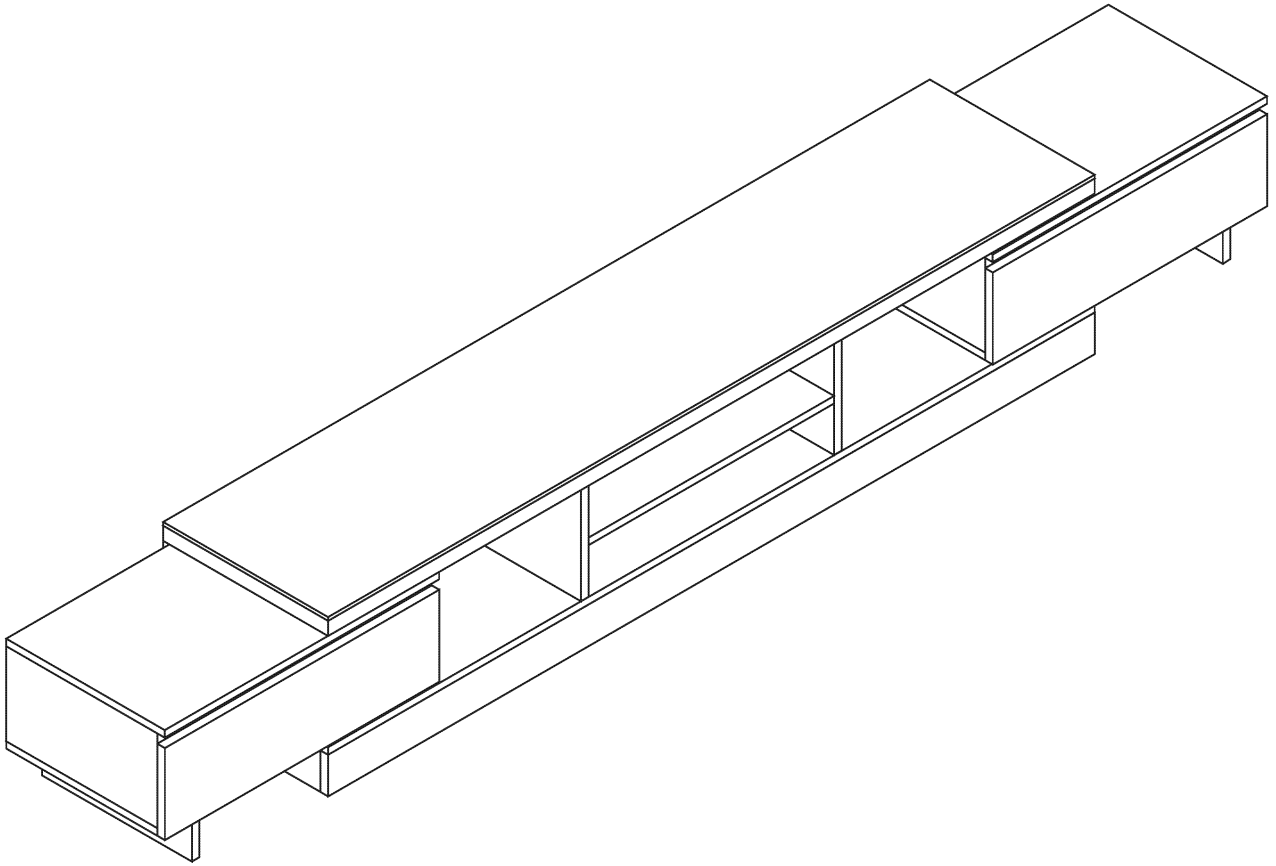


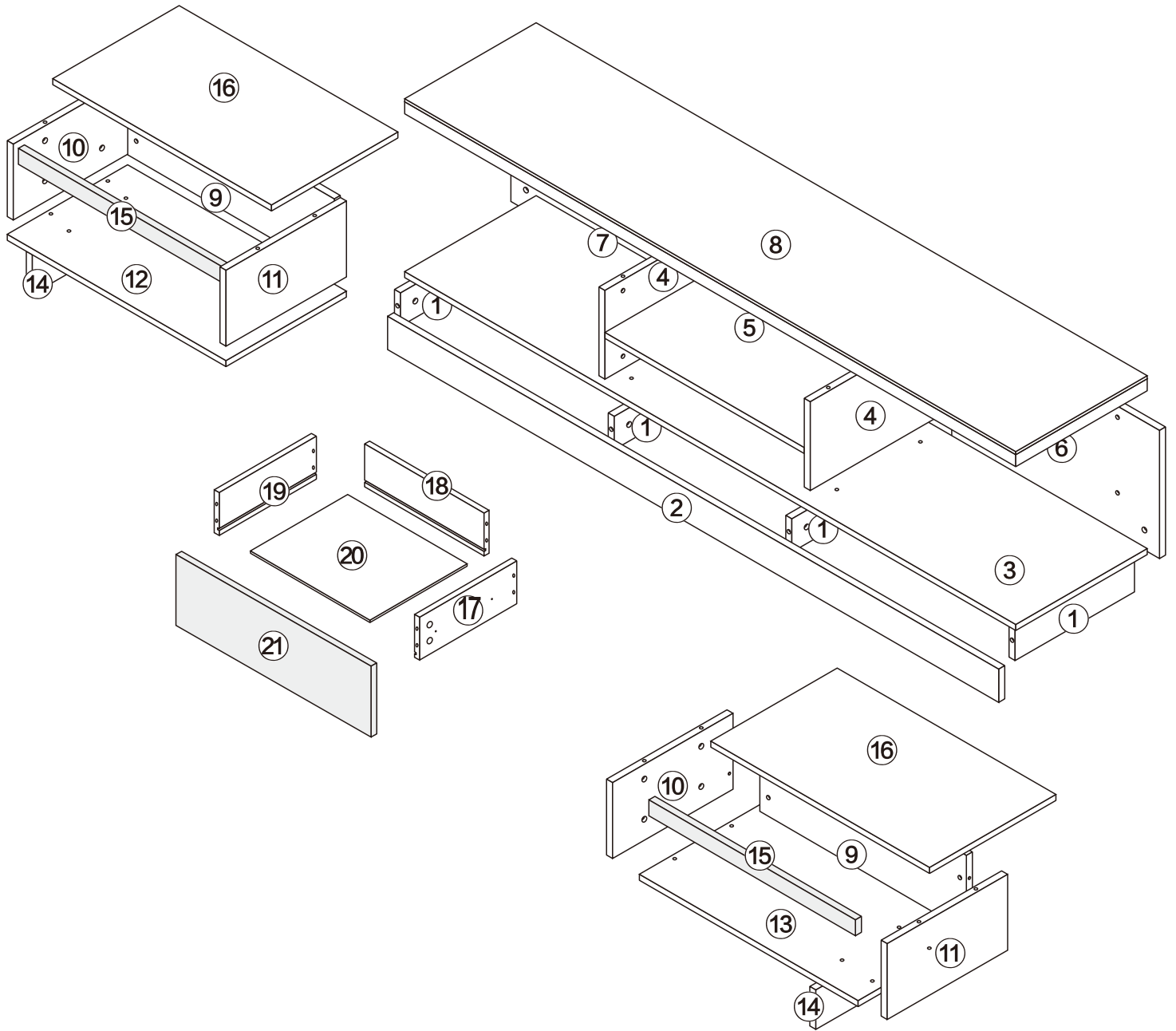
# TV stand



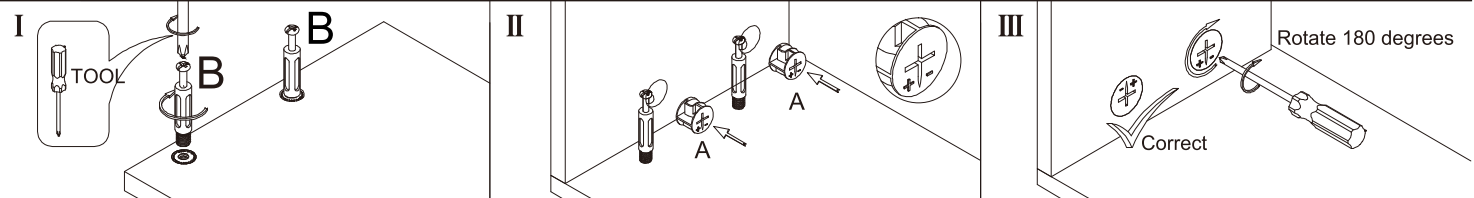
2600\*W400\*H350











## Installation Instructions

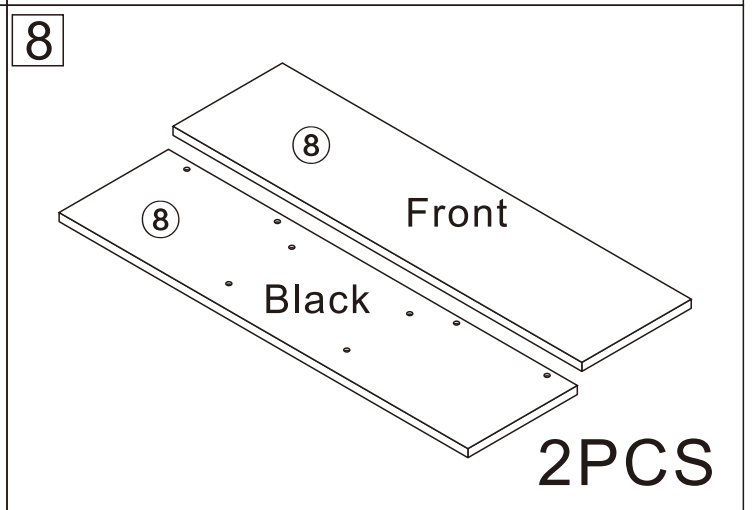
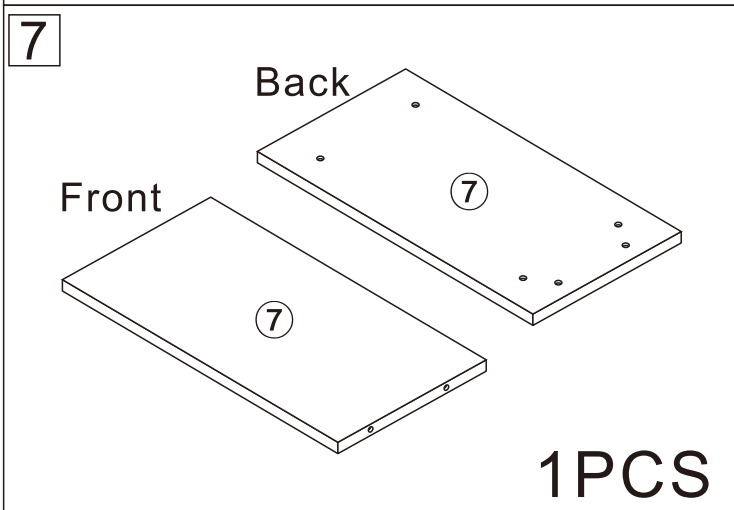
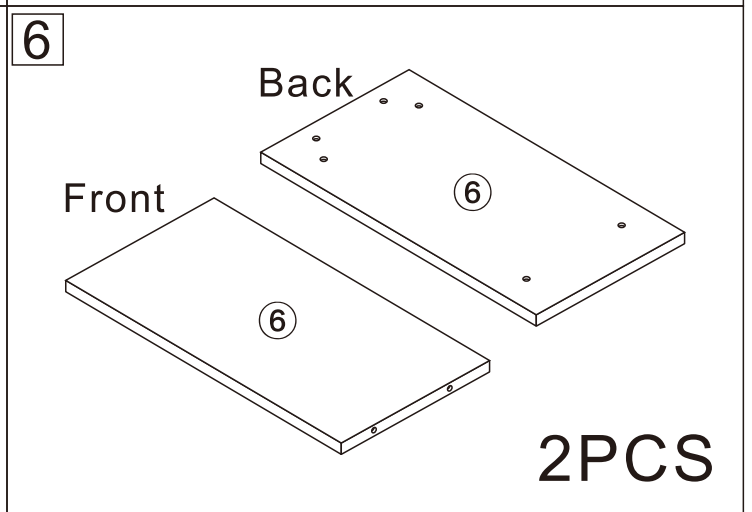
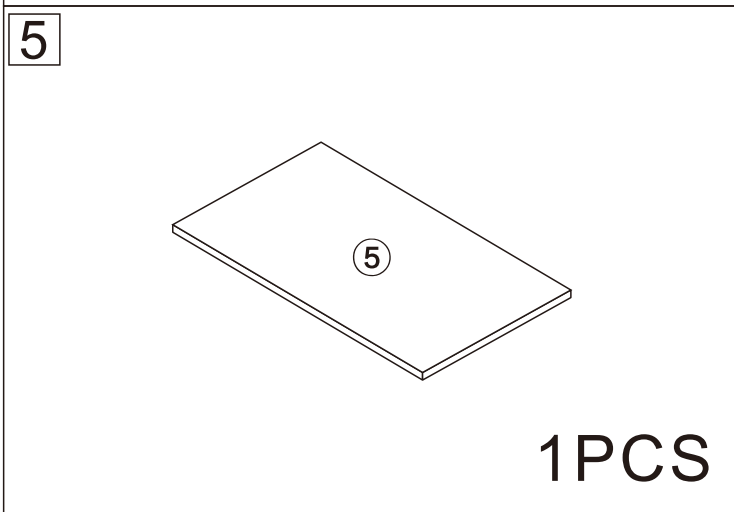
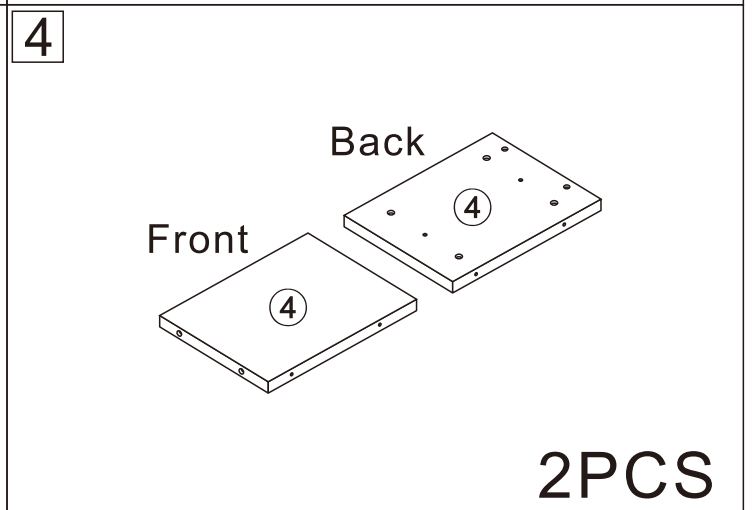
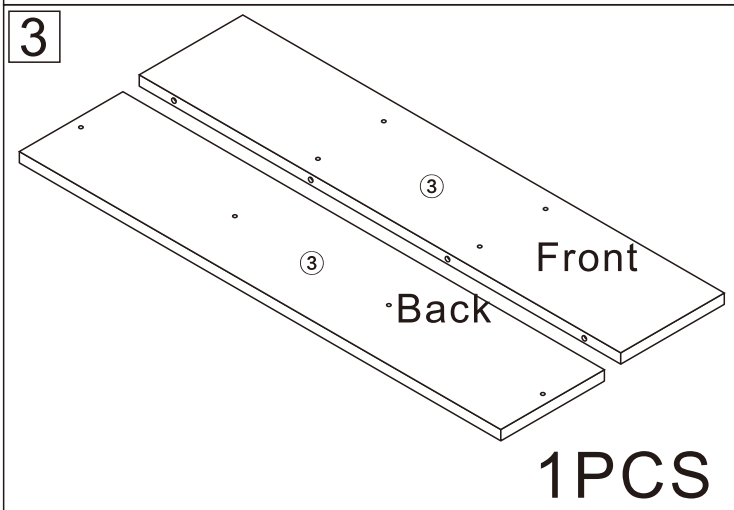
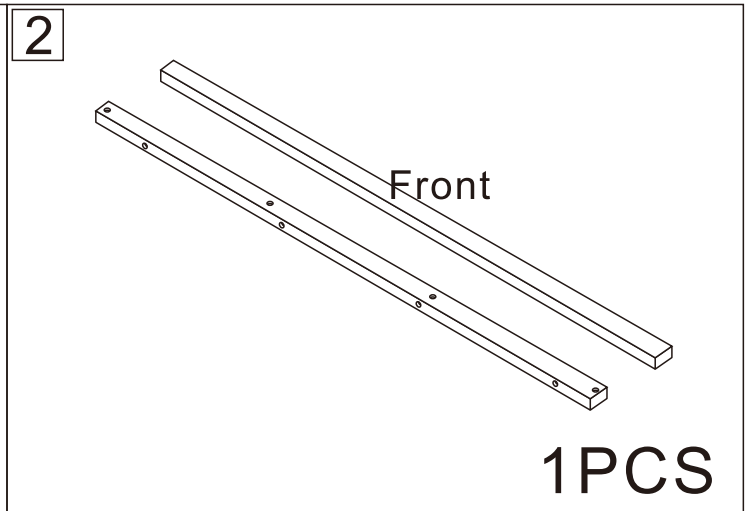
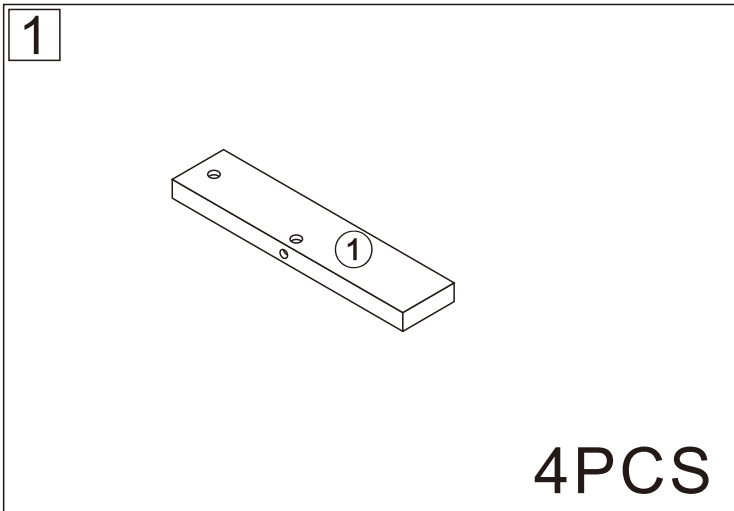
Notes: Don't tighten screws completely at first, just in case parts were assembled wrongly and need disassemble. Tighten screws at last when all parts are put together.

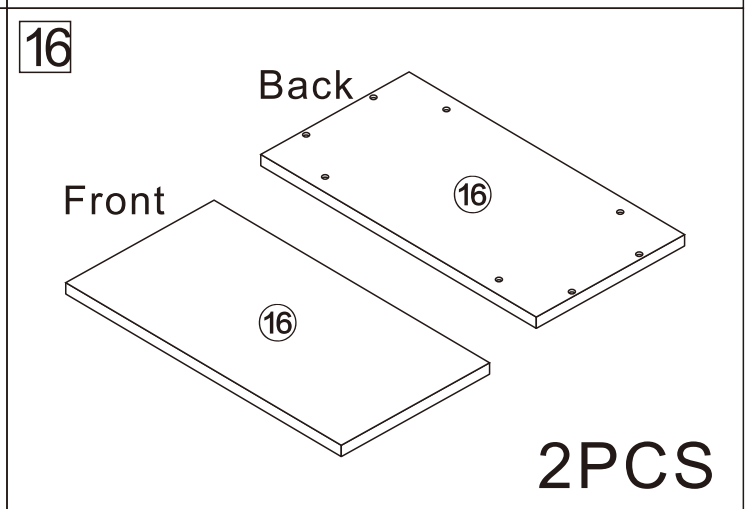
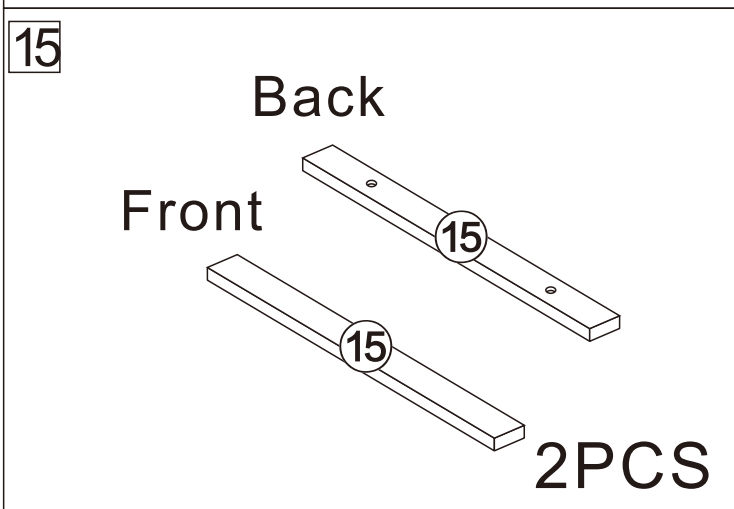
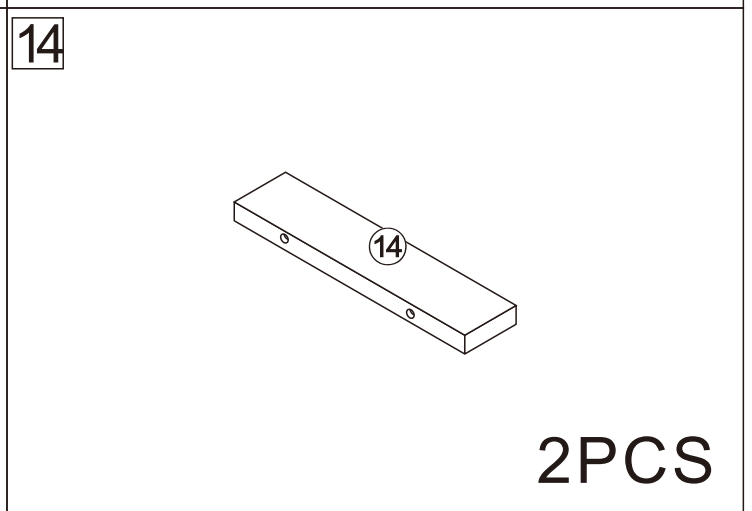
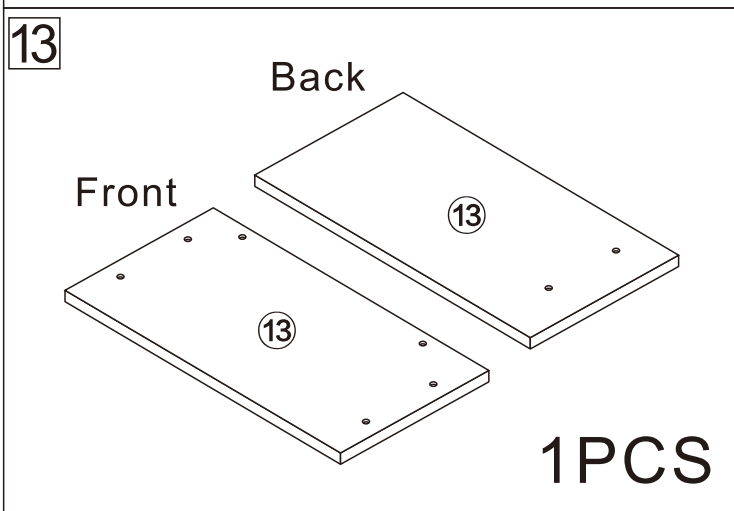
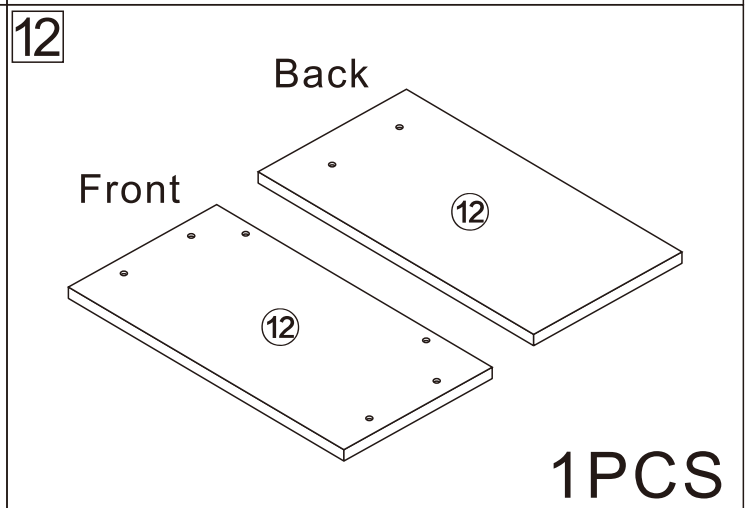
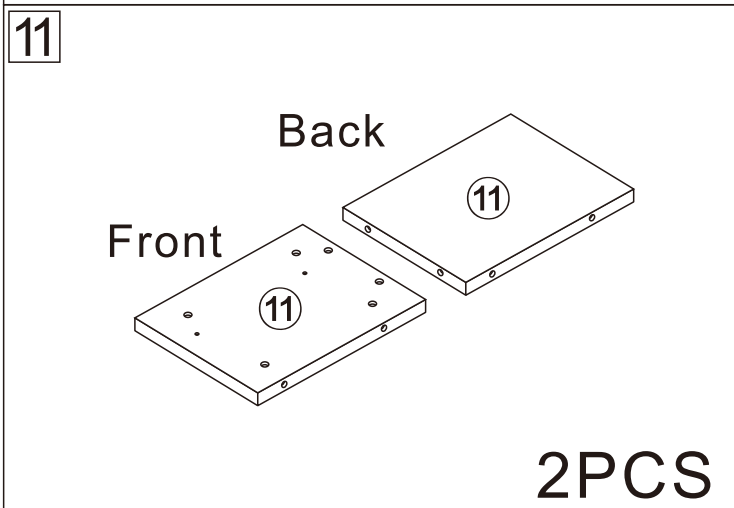
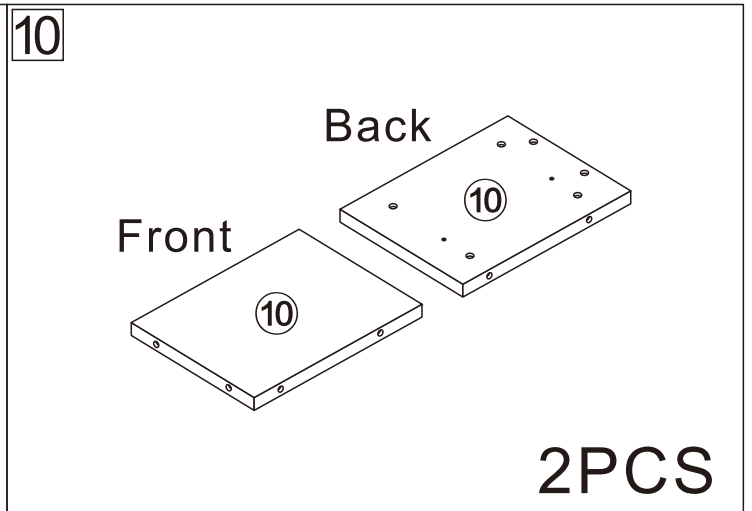
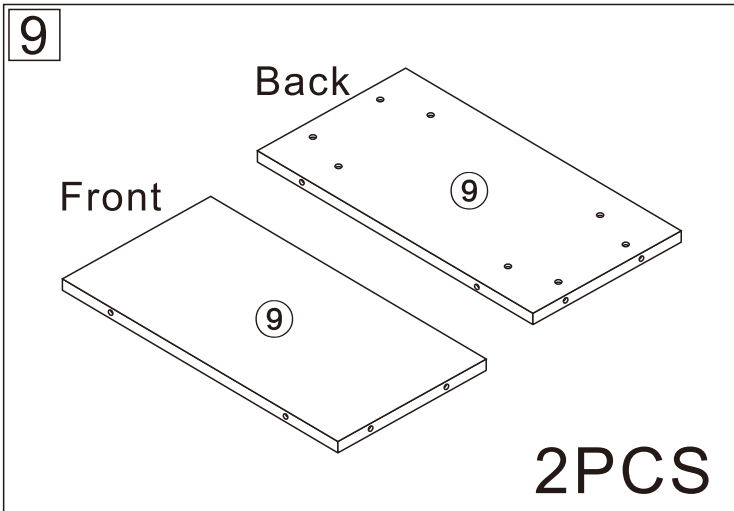


Disassembly and installation of accessories

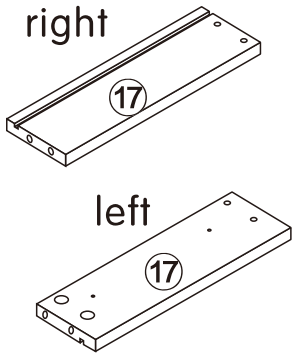


<b>A</b> 76PCS  15*10mm	<b>B</b> 76PCS  6*28mm	<b>C</b> 16PCS  3.5*14mm	<b>D</b> 4PCS  Three-section Rail	<b>E</b> 8PCS  3.5*40mm	<b>F</b> 18PCS  φ 15mm	<b>G</b> 4PCS 	 Tools Recommended
<b>H</b> 4PCS 	<b>I</b> 4PCS  6*25mm						



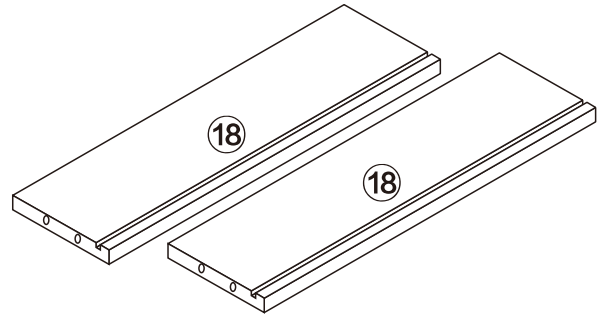


17



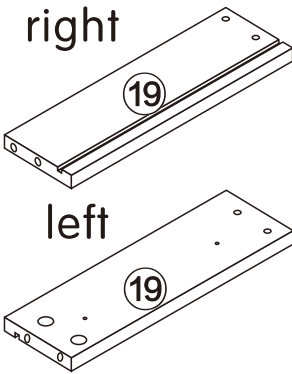
2PCS

18



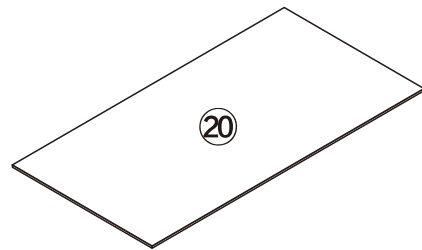
2PCS

19



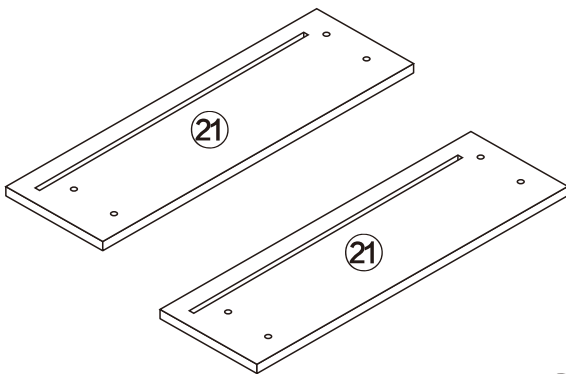
2PCS

20



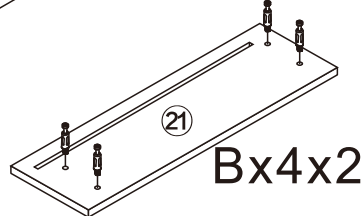
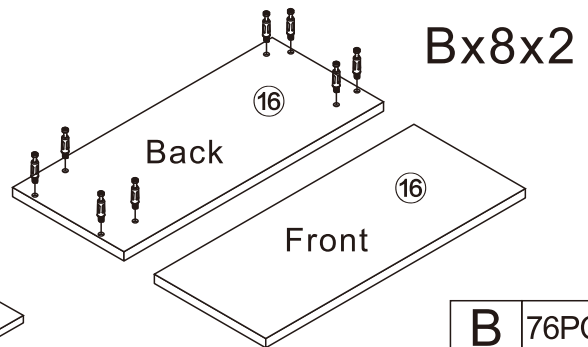
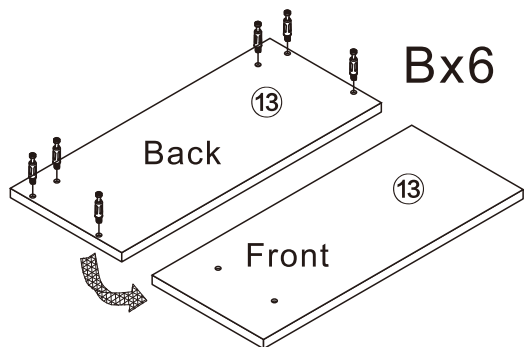
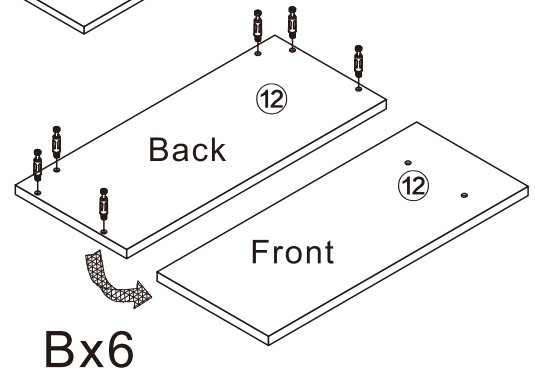
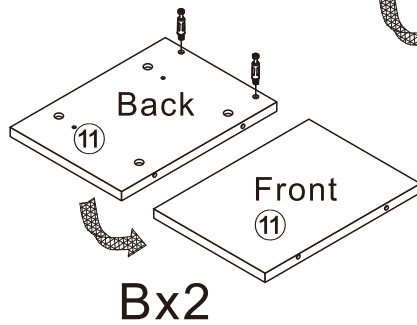
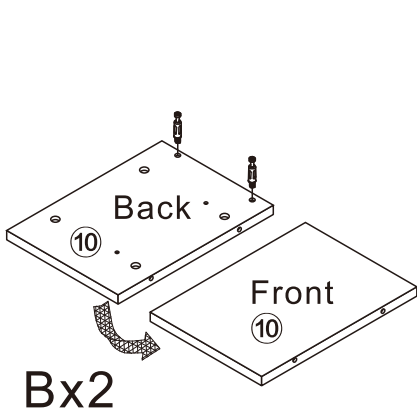
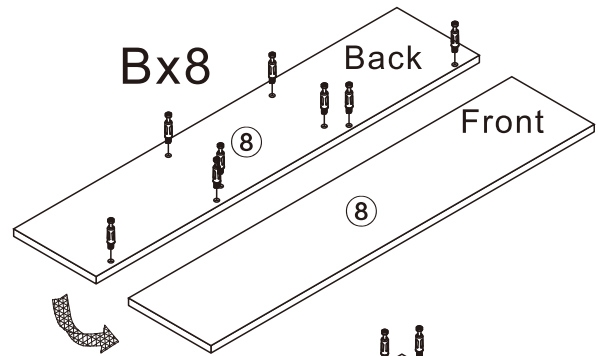
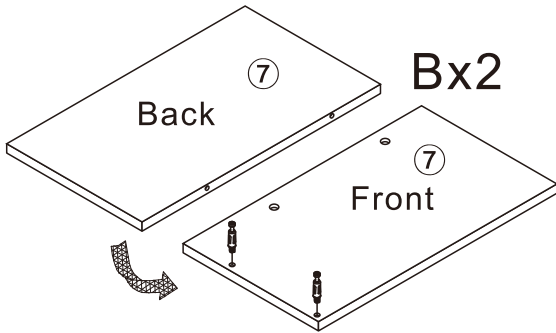
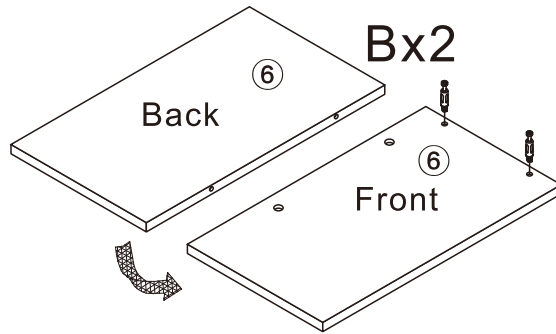
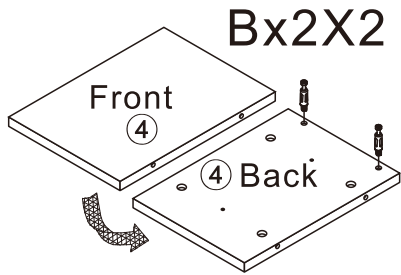
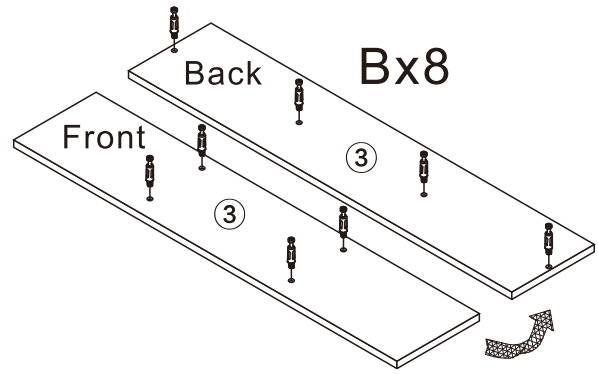
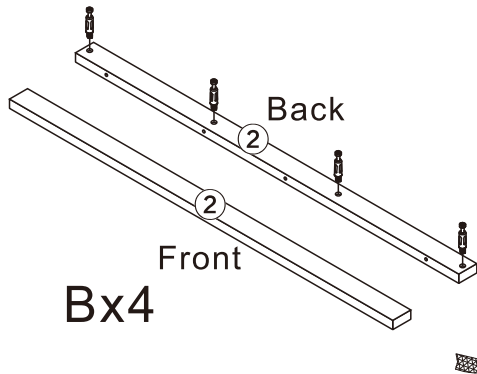
2PCS


21



2PCS

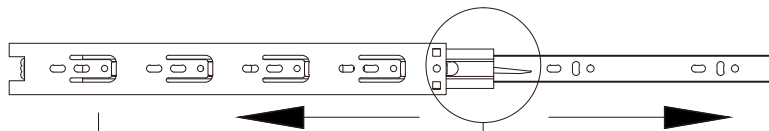
1



<b>B</b>	76PCS
	
6*28mm	

2

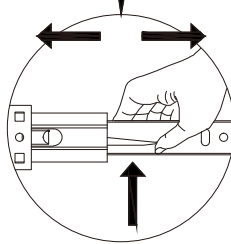
Dx4



D<sub>1</sub>



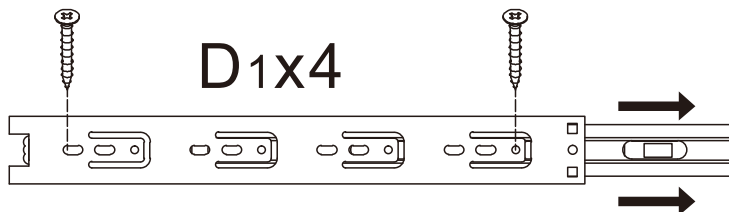
D<sub>2</sub>



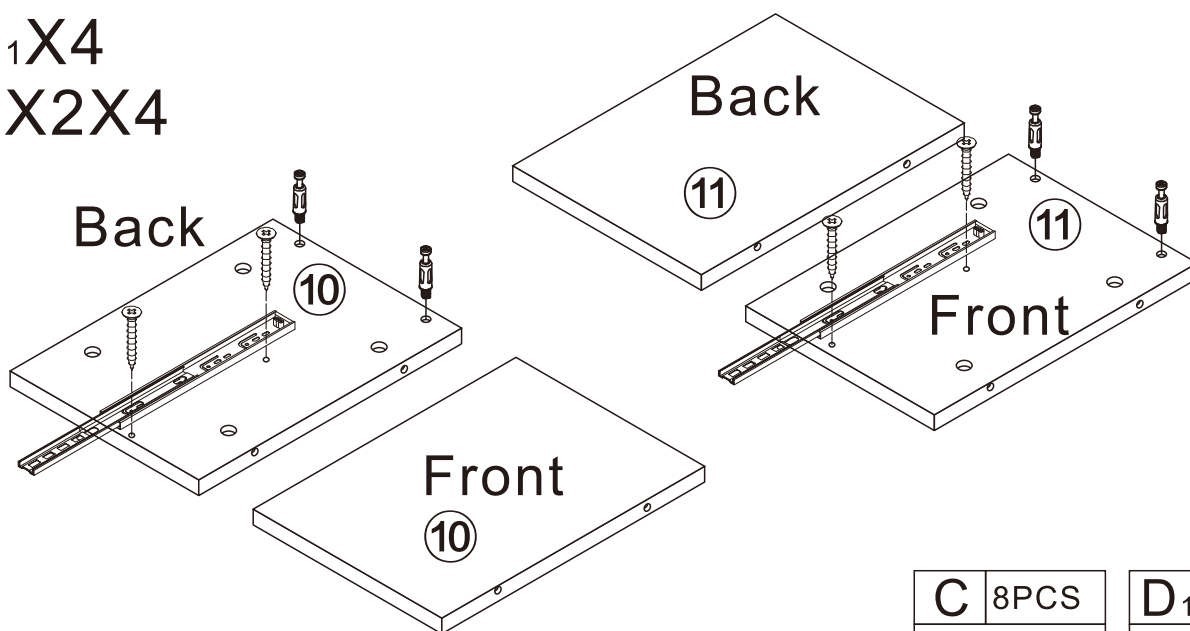
D <sub>1</sub>	4PCS
Three-section Rail	

3

D<sub>1</sub>X4



D<sub>1</sub>X4  
CX2X4

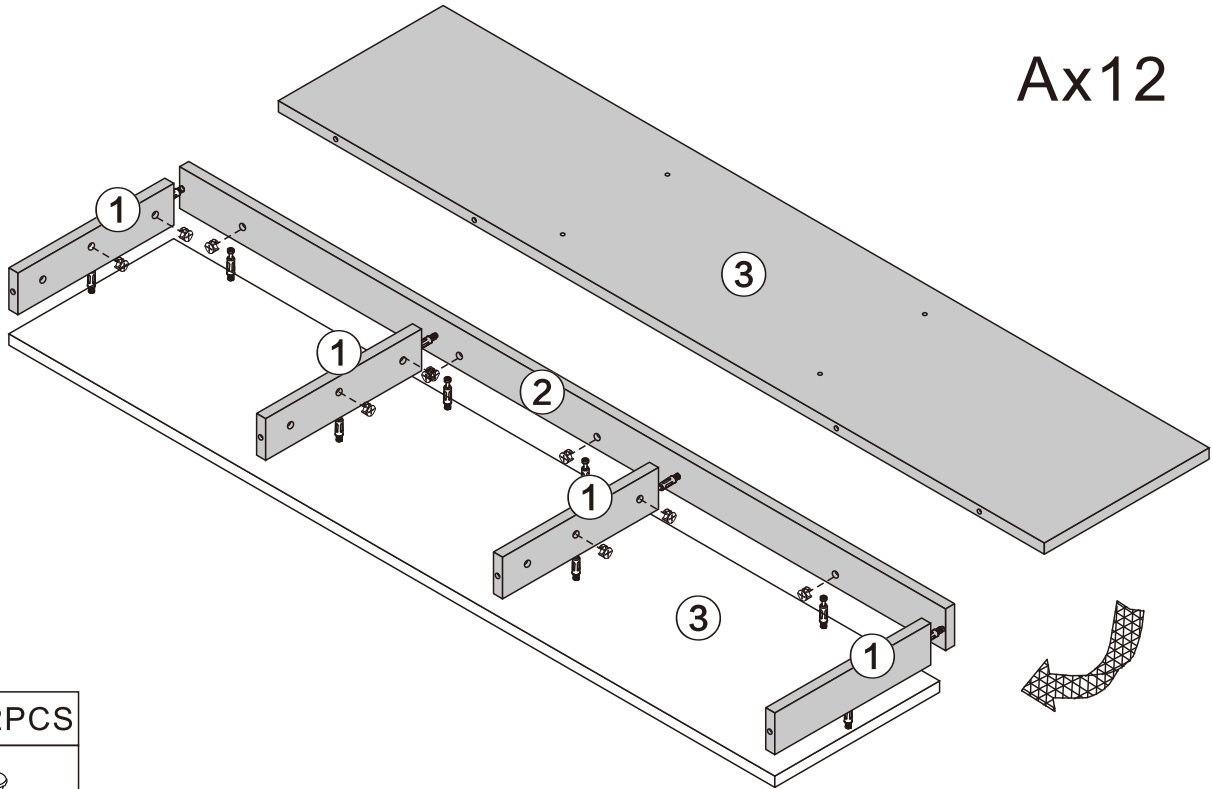



C	8PCS
3.5*14mm	

D <sub>1</sub>	4PCS
Three-section Rail	

4

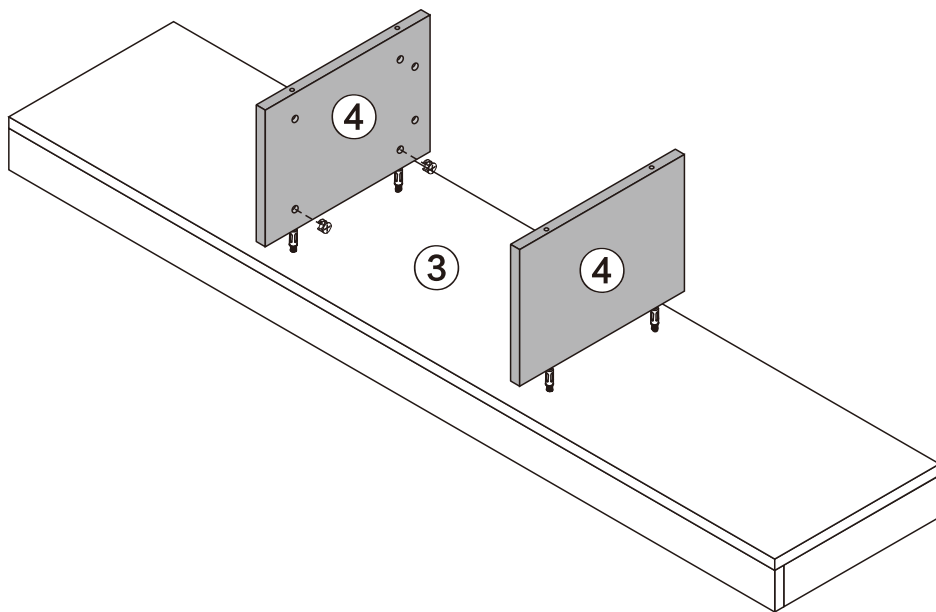
Ax12




A	12PCS
	
15*10mm	

5

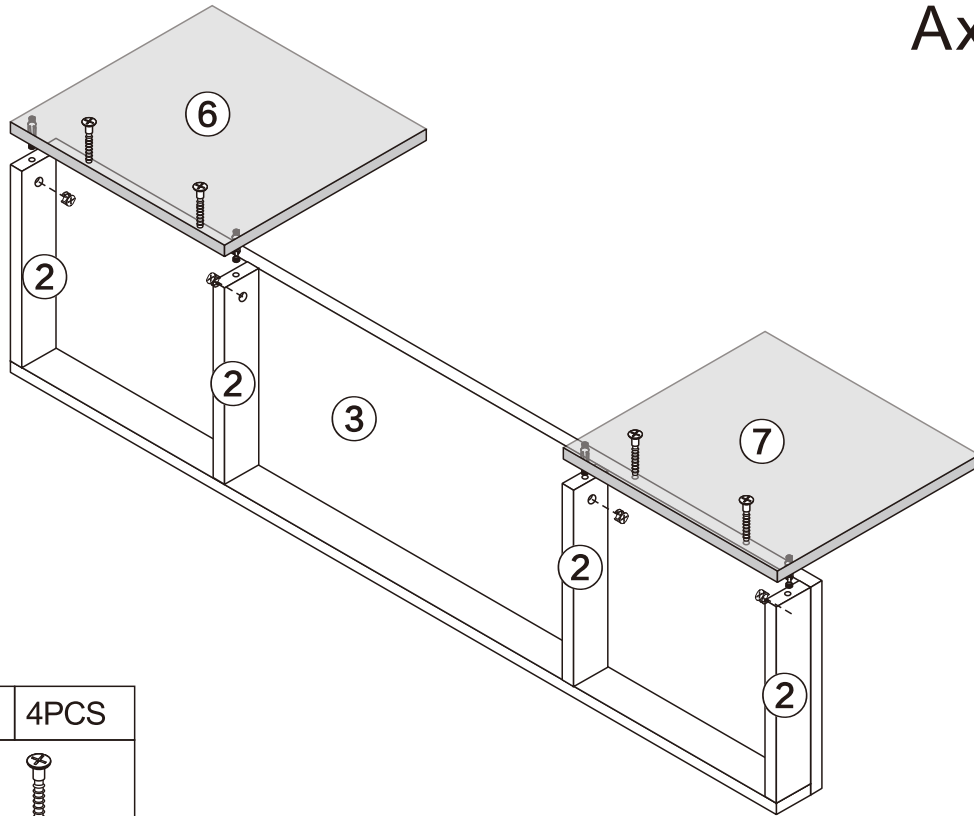
Ax4





A	4PCS
	
15*10mm	

6

Ax4

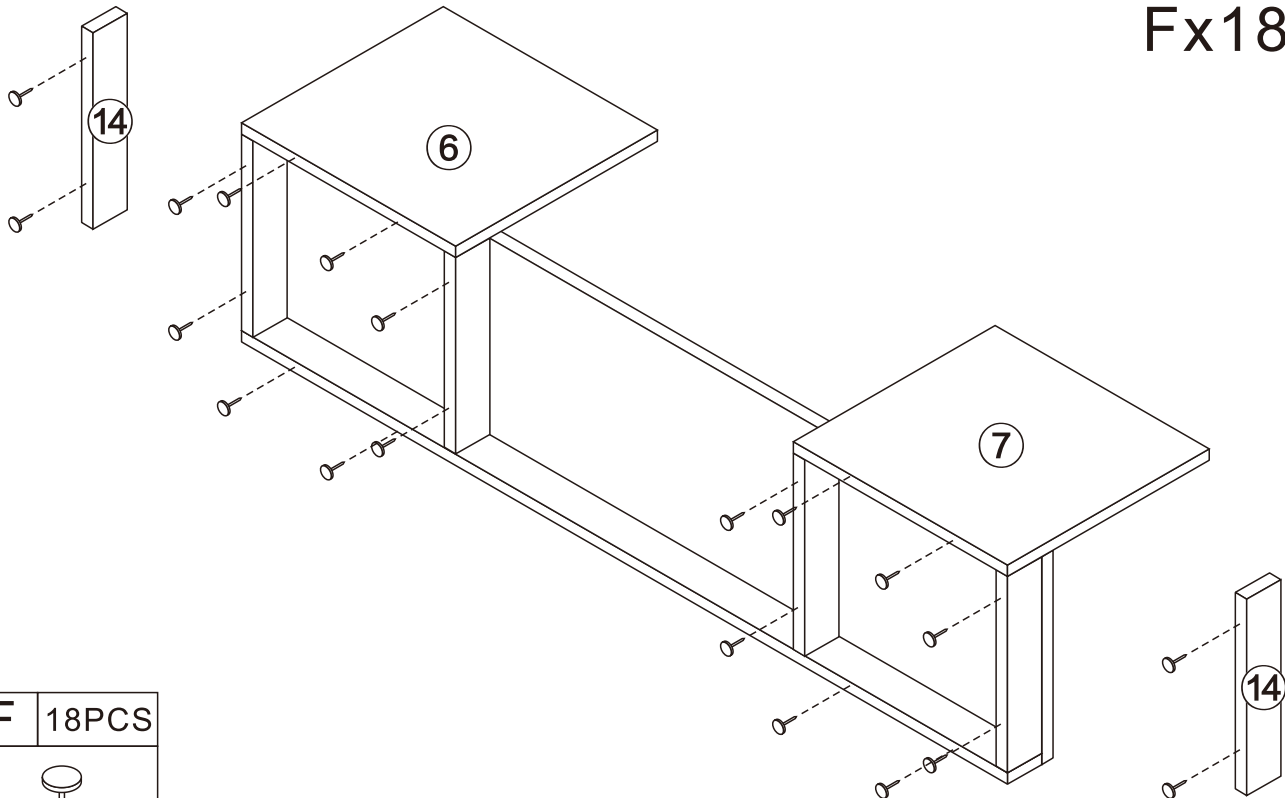



<b>A</b>	4PCS
	
15*10mm	

<b>H</b>	4PCS
	

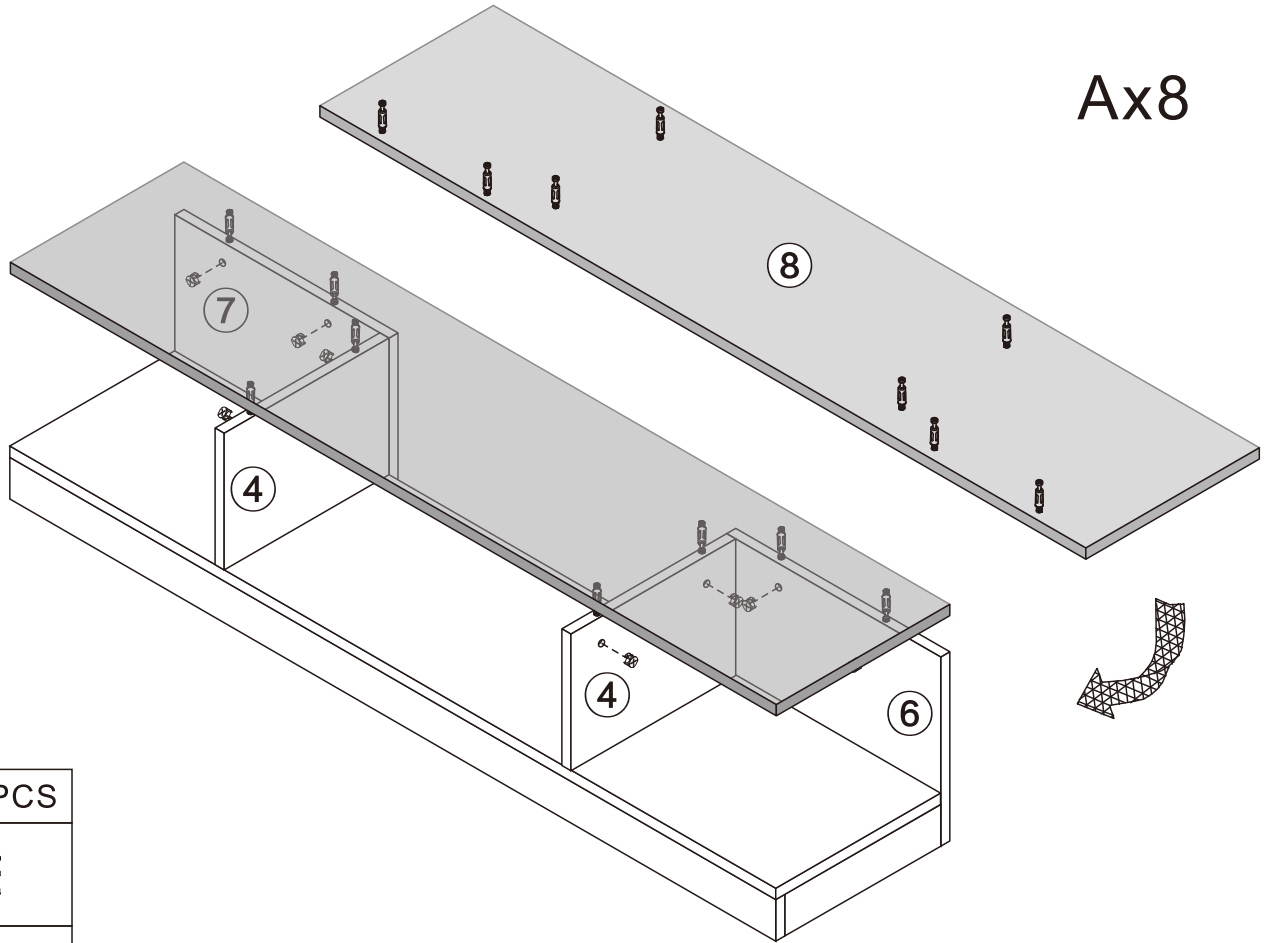
7

Fx18




<b>F</b>	18PCS
	
φ 15mm	

8

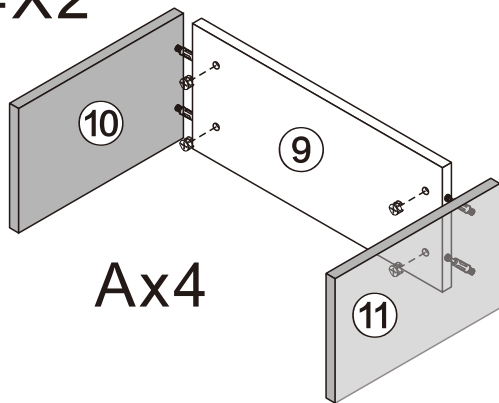


Ax8

A	8PCS
	
15*10mm	

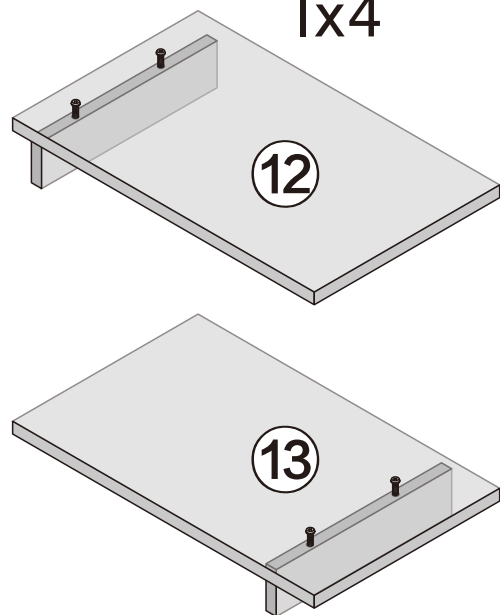
9


Ax4X2




Ax4

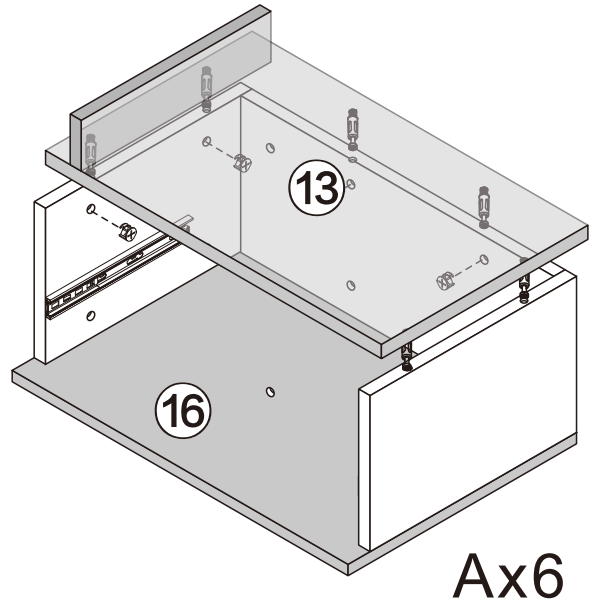
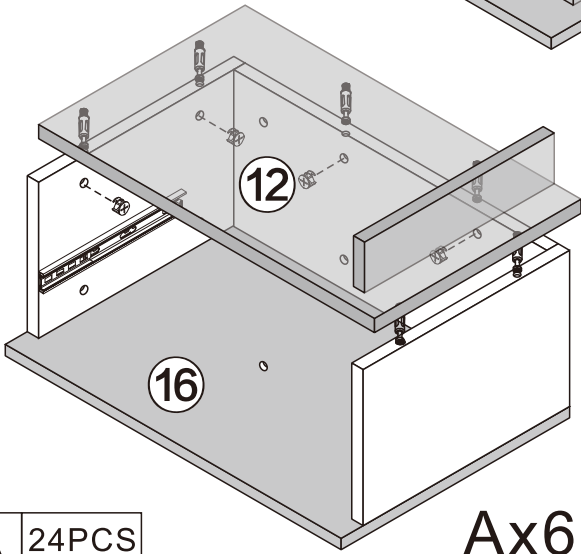
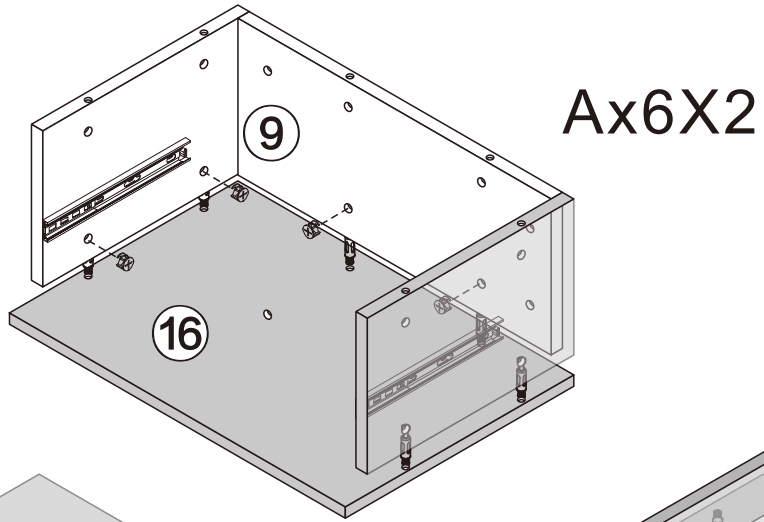
Ix4




A	8PCS
	
15*10mm	

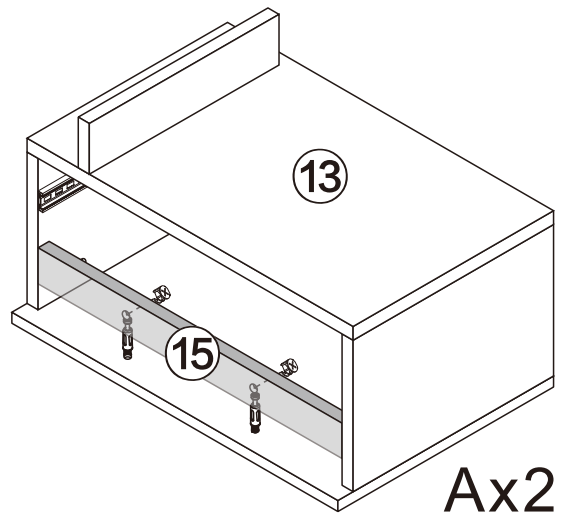
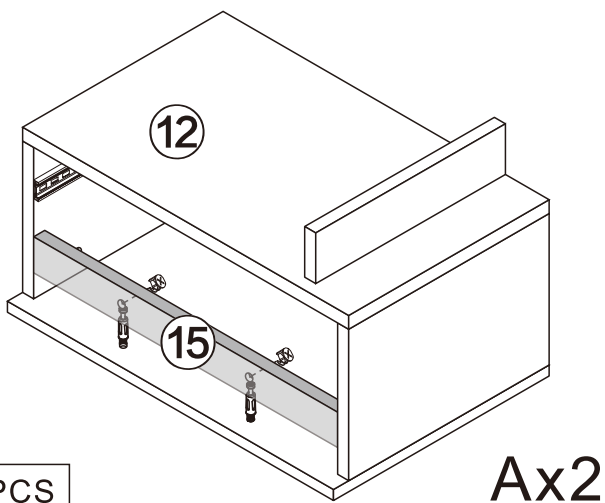
I	4PCS
	
6*25mm	


10



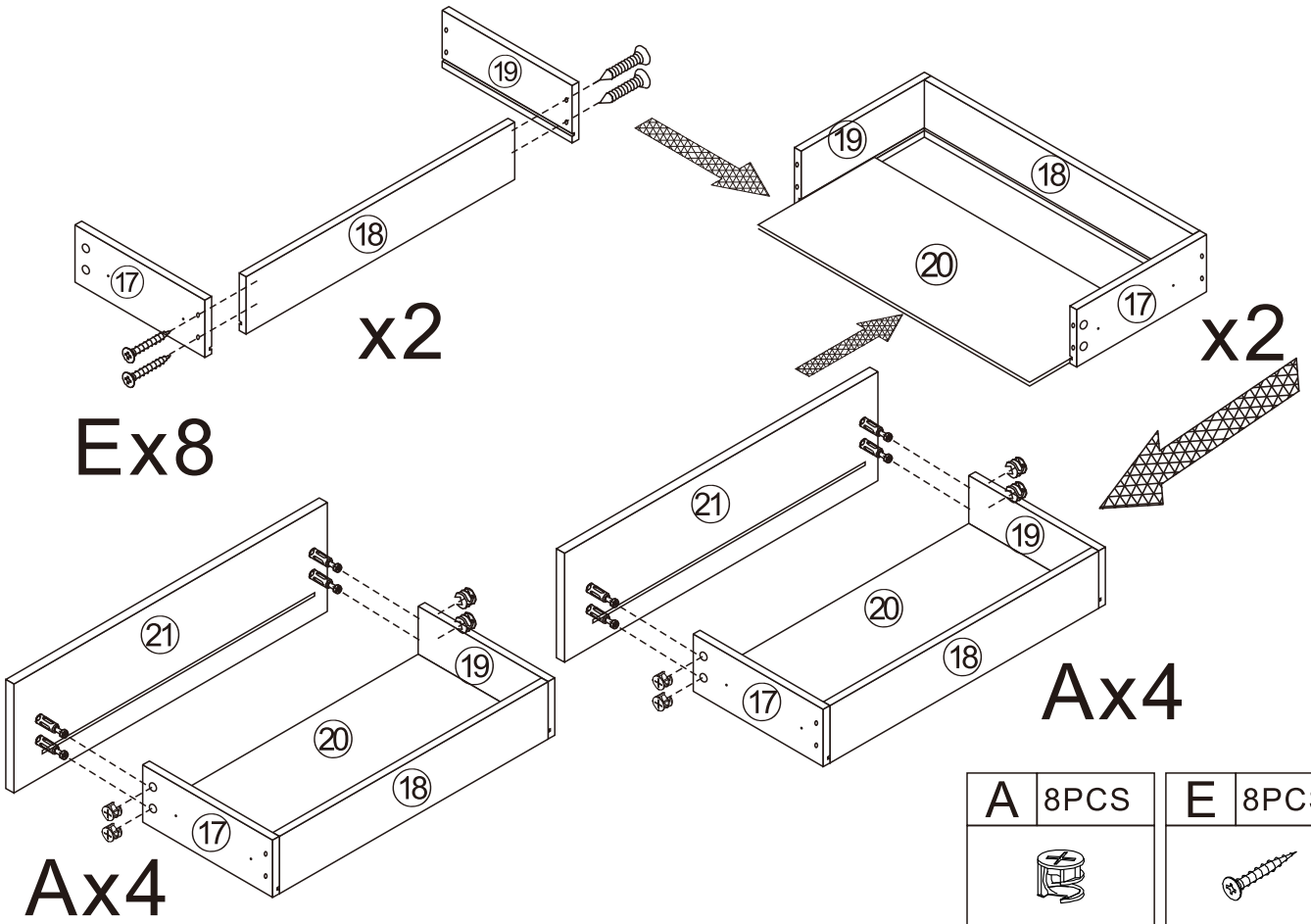
A	24PCS
	
15*10mm	



11



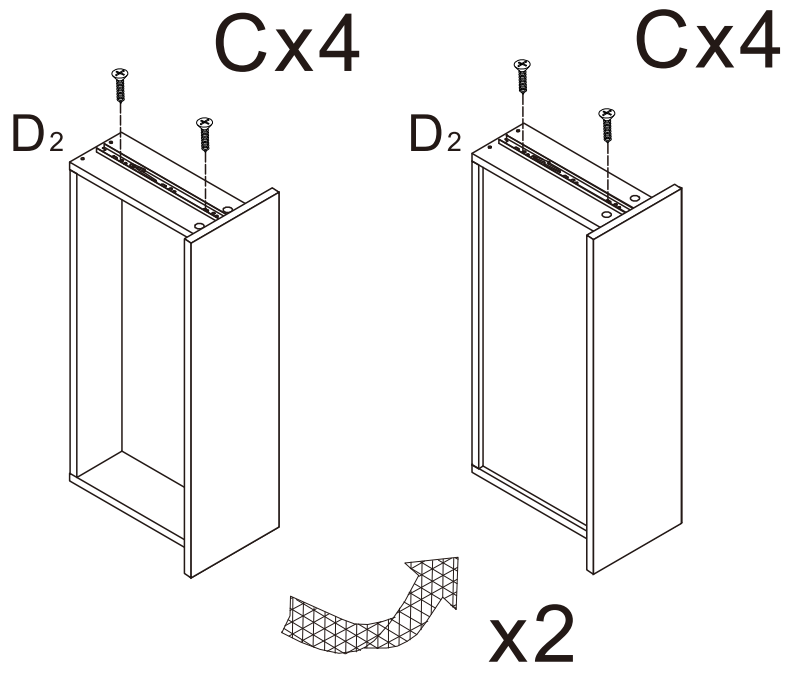
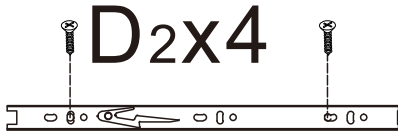
A	4PCS
	
15*10mm	



12

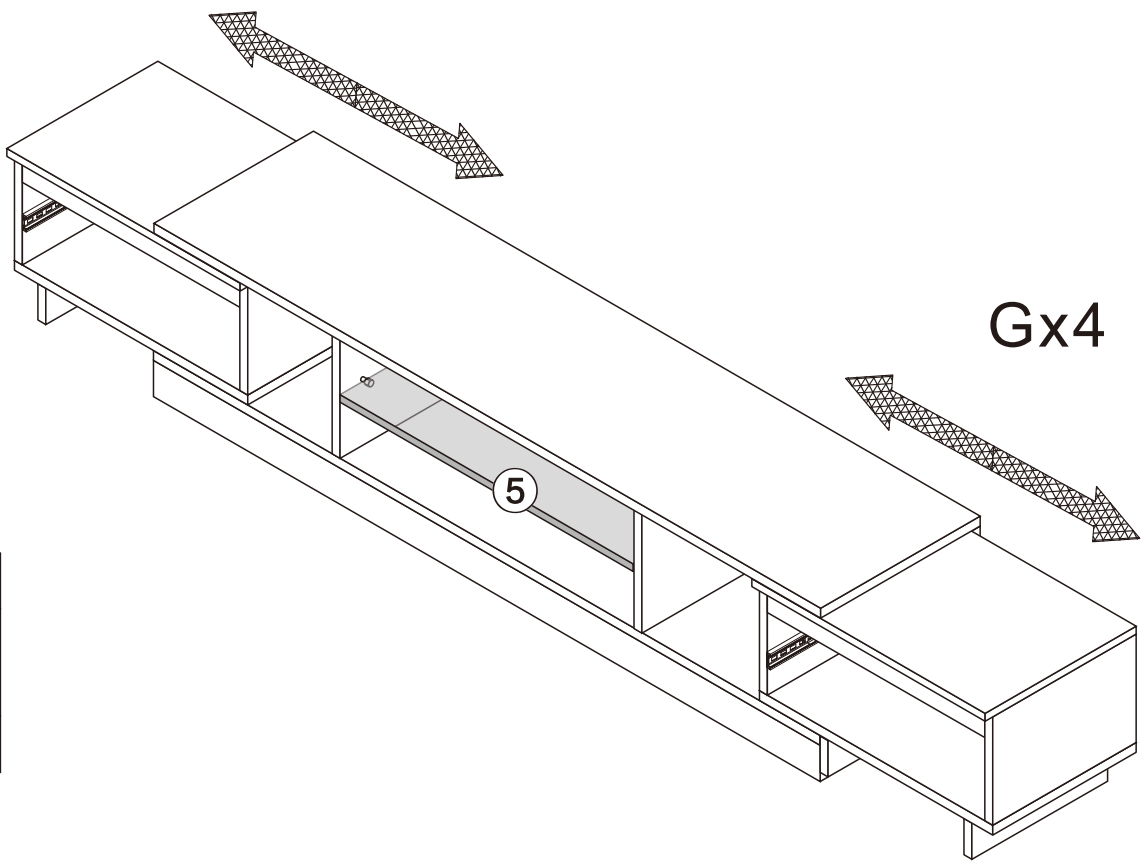


<b>A</b>	8PCS	<b>E</b>	8PCS
			
15*10mm		3.5*40mm	

13



<b>C</b>	8PCS	<b>D<sub>2</sub></b>	4PCS
			
3.5*14mm		Three-section Rail	



<b>G</b>	4PCS

