

**IMPORTANT, RETAIN FOR FUTURE REFERENCE: READ CAREFULLY**

# INSTRUCTION MANUAL

## CONTENT

### Getting to know your dishwasher

Safety cautions-----	2
Inner structure and parts name-----	3
Control panel-----	4
Accessories list-----	4
Products Features-----	4
Technical data-----	4

### Installation guide

Unpacking-----	5
Positioning the appliance-----	5
Electrical Connection-----	7
Adding water mode-----	7

### User guide

Program overview-----	8
How to place tableware-----	9
How to use the rack-----	9
How to fill the detergent-----	10
Not suitable for dishwasher-----	10
Our recommendation-----	10
Damage to glassware and other dishes-----	10
Suggestion remedy-----	10
Washing dishes-----	10
Switching the dishwasher ON-----	11
End of program-----	11
Interrupt the program-----	11
Cancelling or modifying a cycle-----	11
How to keep your dishwasher in shape-----	11
Care and maintenance-----	12
Overall condition of appliance-----	12
Filter and Spray arm-----	12
Fault finding-----	13

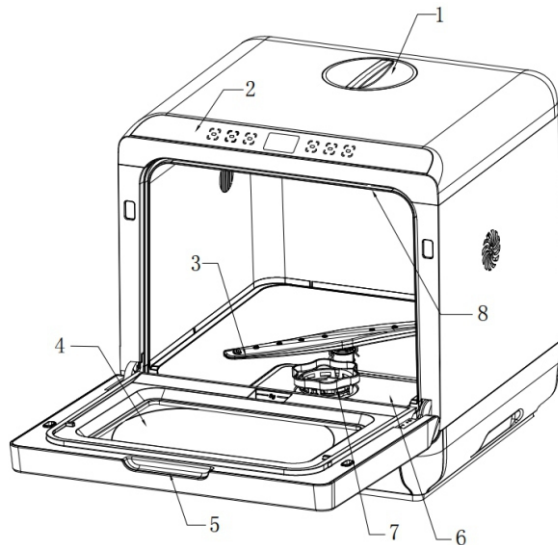
## Getting to know your dishwasher

### Safety cautions

1. At time of delivery, check packaging and dishwasher immediately for signs of transport damage. If the appliance is damaged, do not put it into use but contact your supplier or customer service without delay. Please dispose of packaging materials properly.
2. Site the dishwasher and connect it up in accordance with the installation instructions.
3. The dishwasher must not be connected to the electricity supply while installation is being carried out.
4. Ensure that the domestic wiring is properly earthed.
5. The mains electricity supply must conform to the details shown on the dishwasher nameplate. Do not connect the dishwasher to the electricity supply via an extension cable.
6. During installation, the power supply cord must not be excessively or dangerously bent or flattened. During installation, the dishwasher must only be used by adults for the washing of household dishes.
7. This appliance cannot be installed outdoor, not even if the area in which it is installed is covered by a roof; it is also very dangerous to leave it exposed to the rain and elements.
8. Do not place any heavy objects or water container, it will influence the dishwasher work or cause damage.
9. The water inside the dishwasher is not suitable for drinking. Do not use solvents of any kind inside your dishwasher. They could cause an explosion danger.;
10. Open the door very carefully if the dishwasher is operating. There is a risk of water squirting out. Do not touch the heating element during or after a wash cycle.
11. Fundamental rules to follow when using the appliance:
  - Never touch the dishwasher when barefoot or with wet hands or feet;
  - We discourage the use of extension cords and multiple sockets;
  - If the appliance is not operating properly or maintenance must be performed, disconnect the appliance from the power supply.
12. If your family includes children, keep detergents out of the reach of children, who must also be kept away from the dishwasher when it is open.
13. If a fault occurs
  - If the appliance malfunctions, turn off water supply to the appliance and disconnect the plug from the wall socket. Then, consult the section entitled, "Fault finding".
  - If you cannot solve the problem, contact a service center. Only specialized personnel are authorized to make repairs.
  - If the supply cord is damaged, it must be replaced by the manufacturer, its service agent or similarly qualified persons in order to avoid a hazard.
14. To maintain the EFFICIENCY and SAFETY of this appliance, we recommend.
  - Call only the service centers authorized by the manufacturer.
  - Always use original spare parts.
15. When disposing of old appliances
  - Appliances which are no longer being used must be made inoperable by cutting the power supply cord and removing the door.
  - Take the appliance to a designated waste disposal center.
16. This appliance can be used by children aged from 8 years and above and persons with reduced physical, sensory or mental capabilities or lack of experience and knowledge if they have been given supervision or instruction concerning use of the appliance in a safe way and understand the hazards involved.

17. Children shall not play with the appliance.
18. Cleaning and user maintenance shall not be made by children without supervision.
19. If the supply cord is damaged, it must be replaced by the manufacturer, its service agent or similarly qualified persons in order to avoid a hazard.
20. The new hose-sets supplied with the appliance are to be used and old hose-sets should not be reused.
21. The door should not be left in the open position since this could present a tripping hazard.
22. **WARNING:** Knives and other utensils with sharp points must be loaded in the basket with their points down or placed in a horizontal position.
23. This appliance is intended to be used in household and similar applications such as:
  - staff kitchen areas in shops, offices and other working environments;
  - farm houses;
  - by clients in hotels, motels and other residential type environments;
  - bed and breakfast type environments.
24. The openings must not be obstructed by a carpet.

**Inner structure and parts name**

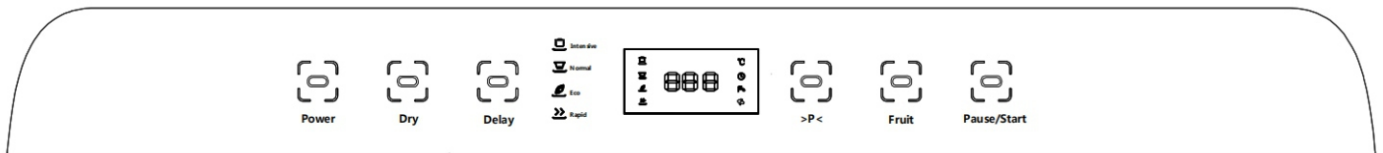





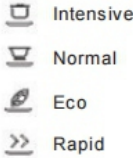



No.	Parts	No.	Parts
1	Water tank cover	5	Handle
2	Control panel	6	Filter screen
3	Spray arm	7	Filter
4	Inner glass door	8	Top spray

## Dish rack



## Control panel



						
<b>Power</b>	<b>Dry</b>	<b>Delay</b>		<b>&gt;P&lt;</b>	<b>Fruit</b>	<b>Pause /Start</b>
Power on/off	Keep tableware dry	Set appointed time to wash		Choose wash mode	Clean fruits	Pause or Start

## Accessories list

Dish rack	1	Drainage pipe	1	Pipe clamp (for drainage pipe)	1
Chopsticks box	1	Water inlet pipe	1	Measuring cup	1
Fruit basket	1	Suction pad	1	Operating manual	1

## Products Features

- High temperature wash
- Table dishwasher, easy to install
- Rapid wash, only 29mins
- With fruit wash function (for apple, grape etc.)

## Technical data

Power	220-240V~ 50Hz
Rated power	840W
Water consumption	4.5L <b>3</b>
Dimension(W*D*H)	17.72*17.32*18.03inch/45*44*45.8cm
Weight(N.W.)	13.5KGS
Drying method	Hot air drying

## Installation guide

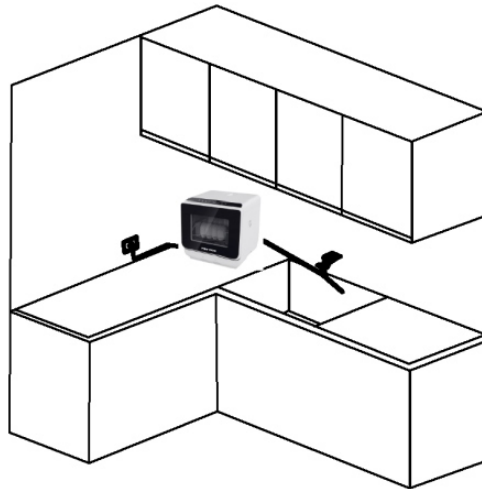
### Unpacking

- Unpack external carton, foam pad, plastic bag
- Unpack package of dish rack, meanwhile take out the accessories
- Put dish rack back properly

**Tips:** each appliance was tested before leaving factory to ensure quality. If there is water drop when you first time use the dishwasher, please be assured use.

### Positioning the appliance

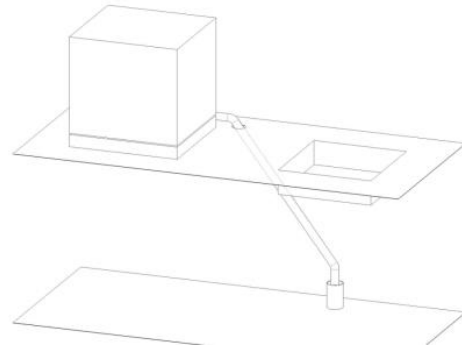
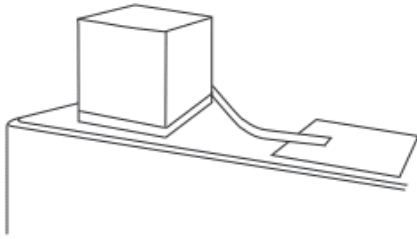
1. Positioning the appliance in the desired location. Ensure the height over 500mm, leave a distance over 50mm for four sides. The dishwasher is equipped with (water supply and) drain hoses that can be positioned to the right or the left to facilitate proper installation.



2. Keep the appliance away from gas stove or other heat producers(over 300mm)



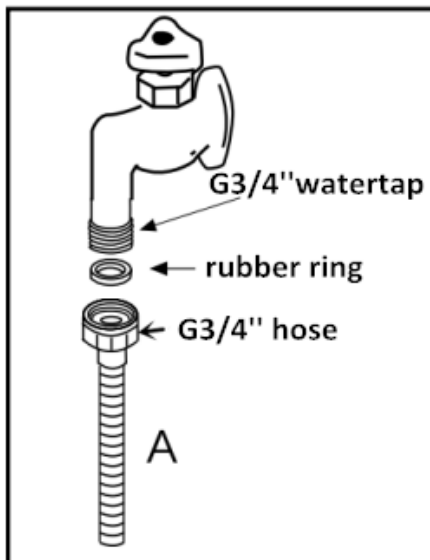
3. To easily inlet or drain, place this appliance on the cabinet or table.
4. Do not place this appliance in below place:
  - The place with direct sunlight
  - Frozen place
  - Uneven and unstable place
5. Drainage pipe connection
  - Connect drainage pipe to outlet and clamp, and the end pipe must not be immersed in water.
  - Connect water inlet pipe and drainage pipe to dishwasher, see below picture:



6. Fix drainage pipe on the sink with suction pad



7. Connect the water inlet pipe
  - Connect the water inlet pipe to the threaded G3/4" water tap
  - Make sure it is fastened in place.
  - If the pipe is new or has not been used for a long time, run water to ensure that the water is clear and free of impurities. If this precaution is not taken, there is a danger that the water inlet will become blocked and damage the equipment.





8. The requested water pressure is 0.03Mpa<sup>6</sup>~1.0Mpa.

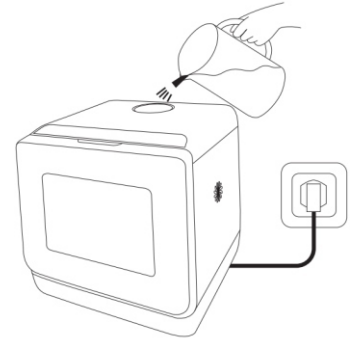
## Electrical Connection

After making sure that the voltage and frequency values for the current in the home correspond to those on the rating plate and that the electrical system is correct for the maximum voltage on the rating plate, insert the plug into an electrical socket which is earthed properly (the earthing of the appliance is a safety requirement mandated by law). If the electrical socket to which the appliance must be connected is not appropriate for the plug, replace the whole cable, rather than using adaptors or the like as they could cause overheating and burns.

## Adding water mode

### ● Adding water manually

- Open water tank cover, then add water 4.5 liters.
- Before startup, fill up with water, appliance will make a “di-di-di” sound.
- After start up, if water tank is lack of water, “” icon keeps on, until fill up with water, appliance make a “di-di-di” sound, and “” icon turn off.



**(WARNING: The display will show “E1” error code if water tank isn’t fully filled up)**

### ● Adding water automatically

- Connect water pipe into dishwasher, it will add water automatically.
- Make use the water pressure is between 0.03MPa and 1.0MPa, if over than 1.0MPa, will damage the appliance, if less than 0.03MPa, will influence appliance work.

## User guide

### Program overview

Program	Kinds of tableware	Type of food remains	Condition of food remains	Dishwashing tablet	Wash time (mins)
Intensive wash	Porcelain tableware, knife & fork, spoon, chopsticks etc.	Soup, casserole, sauce, rice, egg, roast or fried food ect.	Stuck on hard	10g	99
ECO wash	Porcelain tableware, knife & fork, spoon, chopsticks etc.	Soup, casserole, sauce, rice, egg, roast or fried food ect.	Stuck on hard	10g	139
Normal wash	Porcelain tableware, knife & fork, spoon, chopsticks etc.	Soup, casserole, sauce, rice, egg, roast or fried food ect.	Stuck on hard	10g	79
Rapid wash	Porcelain tableware, knife & fork, spoon, chopsticks etc.	Coffee, tea, soup, juice	Loosely attached	8g	29
Fruit wash	Apple, grape, pear ect.	/	/	/	18
Dry	1) Dry+Intensive/Eco/Normal/Rapid, it will work 90mins each alternate 12hrs, will be turned off after 163.5hrs. 2) Long press DRY KEY 3~5s to activate drying process 90mins each alternate 12hrs separately, then turned off after 163.5hrs. 3) Long press DRY KEY 3~5s at shutdown status, it will start to drain the hydrops inside appliance for 4mins.				

**Tips:** If you wanna have good effect of drying, sincerely recommend to choose any one of wash program (Intensive/Eco/Normal/Rapid) and dry to achieve it.

## How to place tableware

### Arranging crockery, glasses, etc. in the dishwasher

Before placing the dishes in the dishwasher, remove larger food particles to prevent the filter from becoming clogged, which results in reduced performance. If the pots and pans have baked-on food that is extremely hard to remove, we recommend that they are soaked before washed. This will eliminate the need for extra wash cycles. Pull out the rack to load the dishwasher.



### How to use the rack

We recommend that you place the most difficult to clean items on the rack: pots, pans, lids, serving dishes and bowls, as shown in the figure. It is preferable to place serving dishes and lids on the sides of the racks in order to avoid blocking the rotation of spray arm. Pots, serving bowls, etc. must always be placed face down.



Silverware should be placed in the silverware basket with the handles at the bottom; if the rack has side baskets, the spoons should be located individually into the appropriate slots. Especially long utensils should be placed in the horizontal position.

### Capacity of the rack:

Deep plate	2	Mug	2	Spoon	4
Shallow plate	3	Chopsticks	4 pairs	Sauce boat	2
Rice bowl	4	Glass	2	Table spoon	1
Noodle bowl	3	Rice scoop	1		

**WARNING:** Knives and other utensils with sharp points must be loaded in the basket with their points down or placed in a horizontal position.

## How to fill the detergent

Detergent specifically intended for use with dishwashers must be used. For the table dishwasher without dispenser, so the detergent fill into the dishwasher directly. And must be refilled before the start of each wash cycle.

## Not suitable for the dishwasher

1. What you should not put into the dishwasher, cutlery and tableware manufactured in whole or part from wood. They become faded and unsightly in appearance. Furthermore, the adhesives that are used are not suitable for the temperature that occur inside the dishwasher. Delicate decorative glassware and vases, special antique or irreplaceable china.
2. The decorative patterns on such items will not be dishwasher-proof.
3. Plastic objects that are not resistant to hot water, copper and pewter utensils are also not suitable. Decorative patterns printed or painted onto the surface of crockery, glasses, etc., aluminum and silver items tend to become discolored or faded if washed in the dishwasher. Some types of glass can become opaque in appearance after they have been washed many times in a dishwasher. Highly absorbent materials, such as sponges and towels, should never be placed in the dishwasher.

Our recommendation

In future, only purchase tableware or kitchenware that has been confirmed as being dishwasher-proof



### Important

Dishes or cutlery that have been soiled by tobacco ash, wax, lubricating grease or paint, should not be put in the dishwasher.



## Damage to glassware and other dishes

### Possible causes

- Type of glass or manufacturing process
- Chemical composition of detergent
- Water temperature and duration of dishwasher program.

### Suggested remedy

- Use glassware or porcelain dishes that have been marked “dishwasher-proof” by the manufacturer.
- Use a mild detergent that is described as “kind to dishes”. If necessary, seek further information from detergent manufacturers.
- Select a program with a low temperature and a short duration as possible.
- To prevent damage, take glass and cutlery out of the dishwasher as soon as possible after the program has ended.

## Washing dishes

### Program selection

The most appropriate program can be identified by comparing the type of crockery, cutlery, etc., as well as the amount and condition of food remains, with the details contained in the wash cycle table. The corresponding program sequence, duration and consumption details are shown in the right half of the overview.

For example: Use the <intensive or ECO> program for dishes and utensils which have plenty of food remains stuck on hard.

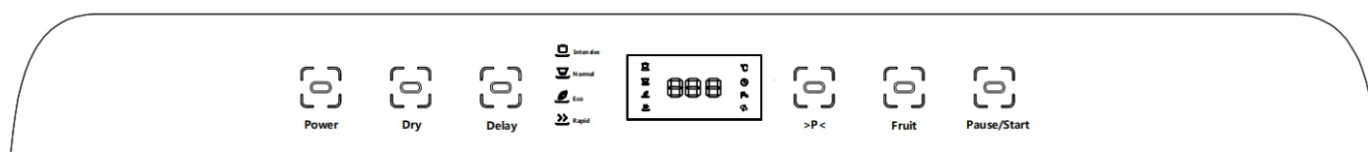
## Program data

The stated program data are based on standard operating conditions. The values can vary considerably according to different amounts of dishes temperature of mains water supply pressure of mains water supply ambient temperature fluctuations in mains voltage machine-related factors (e.g. temperature, water volume, ...)

## Switching the dishwasher ON

### Closed the door, then

- Push “Power” button
- Press program to choose the wash mode, the screen shows the remaining time of the program. If you change the program, you can continue press the “>P<” button
- Press “Pause/Start” button, the program starts automatically.



## End of program

Six beeps will indicate that the wash cycle has finished and then the dishwasher will be turned off.

Several minutes after the program has ended:

- Open the door.
- Turn the water tap off.
- Remove dishes, etc. when they have cooled down.

## Interrupt the program

- Open the door. Caution! There is a risk of water squirting out from inside the appliance. Do not open the door fully until spray arm has stopped rotating.
- Open the door, Please press the “Pause/Start” button first!
- If the appliance has already heated up or the hot water was switched ON and then the appliance door opened, leave the door ajar for several minutes and then close. Otherwise, the appliance door may open due to expansion.

## Cancelling or modifying a cycle

- To modify a cycle that is already underway, press the “Power” button, all of the settings will be cancelled. To set a new cycle, and then press the “Power” button again to switch on the dishwasher, press “>P<” to choose new wash mode. During modifying the cycle, if the detergent has already been used, and the appliance may have already drained the wash water. If this is the case, the detergent must be refilled.
- To cancel one running cycle, press the “Power” button is ok.

## How to keep your dishwasher in shape

### • After Every Wash

After every wash, turn off the water supply the appliance and leave the door slightly ajar so that moisture and odors are not trapped inside.

### • Remove the plug

Before cleaning or performing maintenance, always remove the plug from the socket. Do not run risks.

- **No solvents or abrasive cleaning products**

To clean the exterior and rubber parts of the dishwasher, do not use solvents or abrasive cleaning products. Rather, use only a cloth and warm soapy water.

To remove spots or stains from the surface of the interior, use a cloth dampened with water and a little white vinegar, or cleaning product made specifically for dishwashers.

- **Moving the Appliance**

If the appliance must be moved, try to keep it in a vertical position. If absolutely necessary, it can be positioned on its back.

- **Seals**

One of the factors that cause odors to form in the dishwasher is food that remains trapped in the seals. Periodic cleaning with a damp sponge will prevent this from occurring.

The door should not be left in the open position since this could present a tripping hazard.

- **When you go on holiday**

When you go on holiday, it is recommended that you run a wash cycle with the dishwasher empty and then remove the plug from the socket, turn off the water supply and leave the door of the appliances lightly ajar. This will help the seals last longer and prevent odors from forming within the appliance.

## Care and maintenance

Regular inspection and maintenance of your appliance helps to prevent problems from occurring. This saves time and aggravation. You should therefore carefully inspect the inside of your dishwasher from time to time.

## Overall condition of appliance

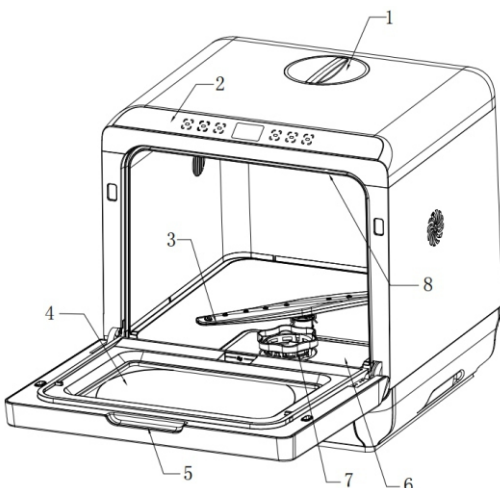
Check that no grease or scale has accumulated on the inside of the dishwasher.

If you discover any deposits: Clean the interior of the dishwasher thoroughly with a detergent solution.

## Filter

The filter 6 and 7 can prevent larger particles of food in the water from reaching the pump. These particles may occasionally block the filters.

- When the appliance has finished washing, check the filters for particles of food and, if required, clean.
- After undoing the coarse micro-filter 7, the filter unit 6 can be removed. Remove any particles of food and rinse the filters under running water.
- Insert the filter unit 6 and tighten the coarse micro filter 7.



## Spray arm

Lime and remnants of food in the washing water can block the nozzles in the spray arms

- Inspect the nozzles in the for blocked holes due to remnants of food.
- If necessary, pull the lower arm upwards and lift it off.
- Clean the spray arms under running water.
- Refit the spray arms.

## Fault finding

Resolving minor problems by yourself

Experience has shown that you can resolve most problems that rise during normal daily usage yourself, without having to call out a service engineer. Not only does this save costs, but it also means that the appliance is available for use again that much sooner. The following list of common occurrences and their remedies should help you identify the causes of most problems.

## Problems

When the appliance is switched on, appliance does not start up


- Fault with fuse in mains electricity supply.
  - Plug not inserted in wall socket.
  - Appliance door not closed properly.
  - Program button has not been pressed.
  - Water tap not turned on.
  - Blocked strainer in water intake hose.
- The strainer is situated in the aqua stop or supply-hose connection.

### **! Caution**

**Do not forget that repairs should only be carried out by a qualified specialist. Improper repairs can lead to considerable equipment damage as well as danger to the user.**

with the appliance itself

Error display on the time-remaining indicator

Error code	Possible reason	Solution
E1	Run the program but the water tank is not fulfilled with water yet	<p>User needs to ensure the water tank is fulfilled until the watertap symbol on the display is turned off, meanwhile the machine makes a "di-di-di-di-di" sound.</p> 
	Abnormality of drain valve	User can fill up water tank with water, long press Dry button 3-5 seconds at off mode to activate Draining process, it lasts 4 minutes. If still fault,contact our after-sales service personnel please.
	Other reasons of lack of water	Restart the machine,if still fault,contact our after-sales service personnel please.
E2	Abnormality of temperature sensor	Restart the machine,if still fault,contact our after-sales service personnel please.
E4	Abnormality of heating plate	Restart the machine,if still fault,contact our after-sales service personnel please.
E5	Abnormality of connecting wire	Restart the machine,if still fault,contact our after-sales service personnel please.

**Water remains inside appliance after program has ended**

- Blockage or kind in drainage hose.
- Pump is jammed.
- Filters are blocked.

The program is still running. Wait for the program to end.

**During washing****Unusual amount of foam is creased**

- Normal washing up liquid has been poured into the dishwasher.
- Remove any spilled rinse aid with a cloth as it could otherwise lead to excessive foaming during the next washing cycle.

**Appliance stops suddenly while washing is taking place**

- Cut off electricity supply to appliance.
- Water supply has been interrupted.

**Knocking sound can be heard while washing is taking place**

- A spray arm is knocking against the dishes inside the appliance.
- Rattling sound can be heard while washing is taking place
- Crockery has not been stacked properly inside the appliance.

**Knocking sound coming from inlet valves**

- This is caused by the way the water pipes have been laid and it has no effect upon the way the appliance functions. There is no remedy for this.
- Remove any spilled rinse aid with a cloth as it could otherwise lead to excessive foaming during the next washing cycle.

**With the dishes, cutlery, etc.**

Remnants of food are stuck to the dishes, cutlery, etc.

- Dishwasher was not loaded properly. Jets of water could not reach all parts of the dishes, etc.
- Too many items in the rack.
- Items in the rack were touching each other.
- Not enough detergent was added to dishwasher
- Selected wash program was not intensive enough.
- Rotation of spray arm was obstructed by dishes, etc.
- Nozzles in spray arm are blocked by remnants of food.
- Filters are blocked.
- Filters have been incorrectly fitted.
- Waste-water pump is jammed.

**Plastic items are discolored**

- Not enough detergent was added to dishwasher.
- Detergent has insufficient bleaching properties. Use a detergent containing a chemical bleaching agent.

**White stains are left on crockery, glasses have a milky appearance**

- Not enough detergent was added to dispenser compartment.
- Although water is quite hard,
- If you used a phosphate-free detergent, try a detergent containing phosphates and compare results.

**Dishes, cutlery, etc. have not been dried**

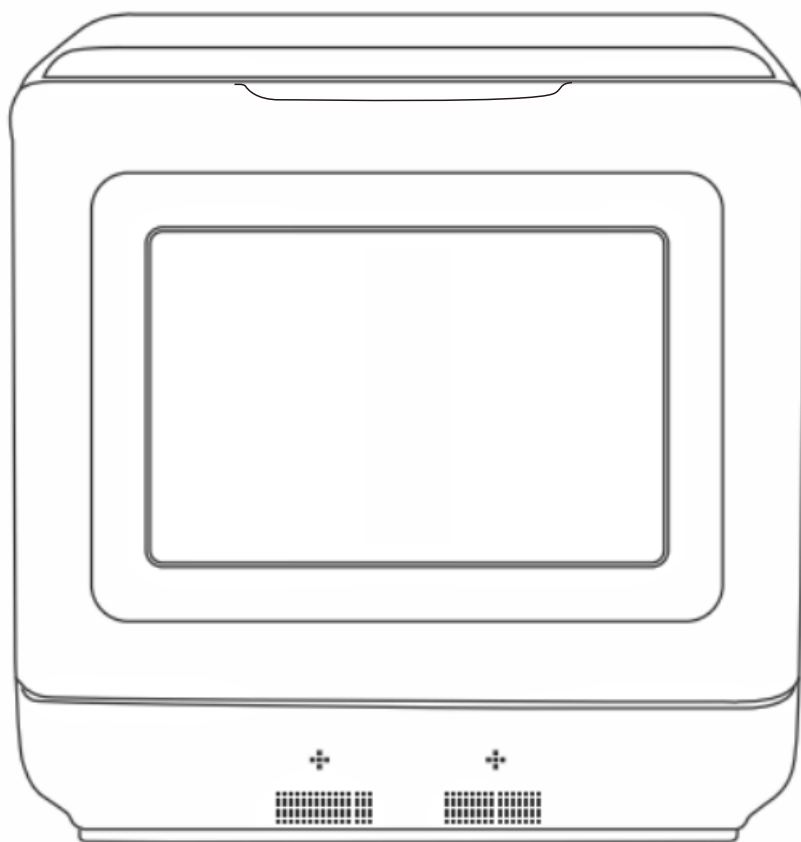
- Selected program did not include drying function
- Items were removed from dishwasher too soon.

**Tea stains or traces of lipstick have not been completely removed**

- Detergent does not have a sufficient bleaching effect,
- Washing temperature was set too low.

**Glasses become clouded and discolored; coating cannot be wiped off**

- Unsuitable detergent was used.
- Glasses are not dishwasher-proof.



**IMPORTANT : A LIRE ATTENTIVEMEN ET A CONSERVER POUR VOUS  
Y REFERER ULTERIEUREMENT.**

# MANUEL D'INSTRUCTIONS

## CONTENU

### Apprendre à connaître votre lave-vaisselle

Consignes de sécurité-----	19
Structure interne et nom des pièces-----	20
Panneau de commande-----	21
Liste des accessoires-----	21
Caractéristiques du produit-----	21
Données techniques-----	22

### Guide d'installation

Déballage-----	22
Positionnement de l'appareil-----	22
Raccordement électrique-----	23
Mode d'ajout d'eau-----	24

### Guide d'utilisation

Vue d'ensemble du programme-----	24
Comment placer la vaisselle-----	25
Comment utiliser le panier-----	25
Comment remplir le détergent-----	26
Ne convient pas au lave-vaisselle-----	26
Notre recommandation-----	26
Détérioration de la verrerie et de la vaisselle-----	26
Solution suggérée-----	26
Données du programme-----	27
Mise en marche du lave-vaisselle-----	27
Fin du programme-----	27
Interruption du programme-----	27
Annulation ou modification d'un cycle-----	27
Comment maintenir votre lave-vaisselle en forme-----	27
Entretien et maintenance-----	28
État général de l'appareil-----	28
Filtre-----	28
Recherche des pannes-----	29

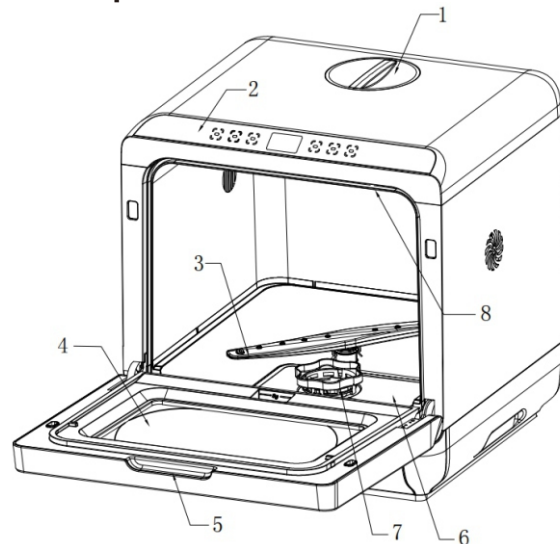
## Apprendre à connaître votre lave-vaisselle

### Consignes de sécurité

1. Au moment de la livraison, vérifiez immédiatement l'emballage et le lave-vaisselle pour voir s'ils présentent des signes de dommages dus au transport. Si l'appareil est endommagé, ne le mettez pas en service et contactez immédiatement votre fournisseur ou le service clientèle. Éliminez les matériaux d'emballage de manière appropriée.
2. Installez le lave-vaisselle et raccordez-le conformément aux instructions d'installation.
3. Le lave-vaisselle ne doit pas être raccordé à l'alimentation électrique pendant l'installation.
4. Assurez-vous que le câblage domestique est correctement mis à la terre.
5. L'alimentation électrique doit être conforme aux indications figurant sur la plaque signalétique du lave-vaisselle. Le lave-vaisselle ne doit pas être raccordé au réseau électrique avec une rallonge.
6. Pendant l'installation, le cordon d'alimentation ne doit pas être plié ou aplati de manière excessive ou dangereuse. Pendant l'installation, le lave-vaisselle ne doit être utilisé que par des adultes pour laver la vaisselle.
7. Cet appareil ne peut pas être installé à l'extérieur, même si l'endroit où il est installé est couvert par un toit ; il est également très dangereux de le laisser exposé à la pluie et aux intempéries. Il est également très dangereux de le laisser exposé à la pluie et aux intempéries.
8. Ne placez pas d'objets lourds ou de récipients d'eau, cela affectera le fonctionnement du lave-vaisselle ou causerait des dommages.
9. L'eau contenue dans le lave-vaisselle n'est pas potable. N'utilisez pas de solvants, quels qu'ils soient, à l'intérieur de votre lave-vaisselle. Ils pourraient provoquer un risque d'explosion.
10. Ouvrez la porte avec précaution si le lave-vaisselle est en marche. Il y a un risque de projection d'eau. Ne touchez pas l'élément chauffant pendant ou après un cycle de lavage.
11. Règles fondamentales à respecter lors de l'utilisation de l'appareil :
  - Ne touchez jamais le lave-vaisselle avec les pieds nus ou les mains ou les pieds mouillés ;
  - Nous ne recommandons pas l'utilisation de rallonges et de prises multiples ;
  - Si l'appareil ne fonctionne pas correctement ou si un entretien doit être effectué, débranchez l'appareil de l'alimentation électrique.
12. Si vous avez des enfants dans votre famille, tenez les détergents hors de portée des enfants, qui doivent également être tenus à l'écart du lave-vaisselle lorsqu'il est ouvert.
13. En cas de panne
  - En cas de dysfonctionnement de l'appareil, coupez l'alimentation en eau de l'appareil et débranchez la fiche de la prise murale. Consultez ensuite la section intitulée « Recherche des pannes ». Si vous ne parvenez pas à résoudre le problème, contactez un centre de service.
  - Seul le personnel spécialisé est autorisé à effectuer des réparations.
14. Pour maintenir l'EFFICACITÉ et la SÉCURITÉ de cet appareil, nous recommandons :
  - Ne faire appel qu'aux centres d'entretien agréés par le fabricant.
  - Utiliser toujours des pièces de rechange d'origine.
15. Lors de la mise au rebut de vieux appareils
  - Les appareils qui ne sont plus utilisés doivent être mis hors service en coupant le cordon d'alimentation et en enlevant la porte.
  - Déposez l'appareil dans un centre d'élimination des déchets désigné à cet effet.

16. Cet appareil peut être utilisé par des enfants à partir de 8 ans et plus et par des personnes ayant des capacités physiques, sensorielles ou mentales réduites ou un manque d'expérience et de connaissances à condition qu'elles aient reçu une supervision ou des instructions concernant l'utilisation de l'appareil en toute sécurité et qu'elles comprennent les dangers encourus.
17. Les enfants ne doivent pas jouer avec l'appareil.
18. Le nettoyage et l'entretien par l'utilisateur ne doivent pas être effectués par des enfants sans surveillance.
19. Si le câble d'alimentation est endommagé, il doit être remplacé par le fabricant, son service après-vente ou des personnes de qualification similaire afin d'éviter un danger.
20. L'appareil est destiné à être raccordé de façon permanente au réseau d'alimentation en eau et n'est pas raccordé par un ensemble de raccordement.
21. Il convient que la porte ne soit pas laissée en position ouverte dans la mesure où cela pourrait présenter un danger de basculement.
22. **MISE EN GARDE:** Les couteaux et les autres ustensiles pointus doivent être placés dans le panier pointe vers le bas ou en position horizontale.
23. Cet appareil est destiné à être utilisé dans des applications domestiques et analogues telles que:
- les coins cuisines réservés au personnel des magasins, bureaux et autres environnements professionnels;
  - les fermes;
  - l'utilisation par les clients des hôtels, motels et autres environnements à caractère résidentiel;
  - les environnements de type chambres d'hôtes.
24. Les ouvertures ne doivent pas être obstruées par un tapis.

### Structure interne et nom des pièces

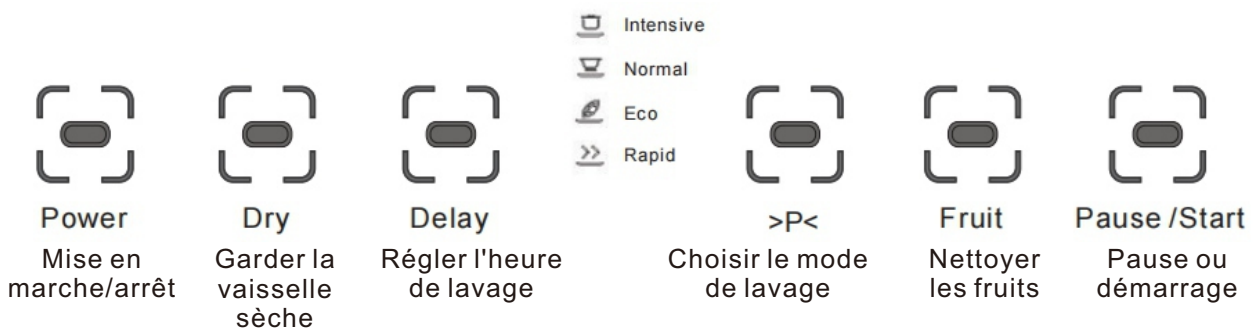
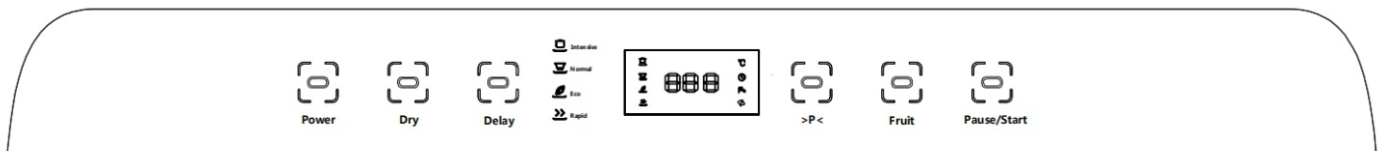


No.	Pièces	No.	Pièces
1	Couvercle du réservoir d'eau	5	Poignée
2	Panneau de commande	6	Grille de filtre
3	Bras de pulvérisation	7	Filtre
4	Porte intérieure en verre	8	Pulvérisateur supérieur

## Panier à vaisselle



## Panneau de commande



## Liste des accessoires

Panier à vaisselle	1	Tuyau de vidange	1	Collier de serrage (pour tuyau de vidange)	1
Boîte de baguettes	1	Tuyau d'admission d'eau	1	Gobelet de mesure	1
Panier à fruits	1	Ventouse	1	Manuel d'utilisation	1

## Caractéristiques du produit

- Lavage à haute température
- Lave-vaisselle de comptoir, facile à installer
- Lavage rapide, seulement 29 minutes
- Avec fonction de lavage des fruits (pour la pomme, le raisin, etc.)

## Données techniques

Puissance	220-240V~ 50Hz
Puissance nominale	840W
Consommation d'eau	4,5L
Dimensions (L* P* H )	17,72* 17,32* 18,03inch/45*44*45cm
Poids ( N.W. )	13,5KGS
Méthode de séchage	Séchage à l'air chaud

## Guide d'installation

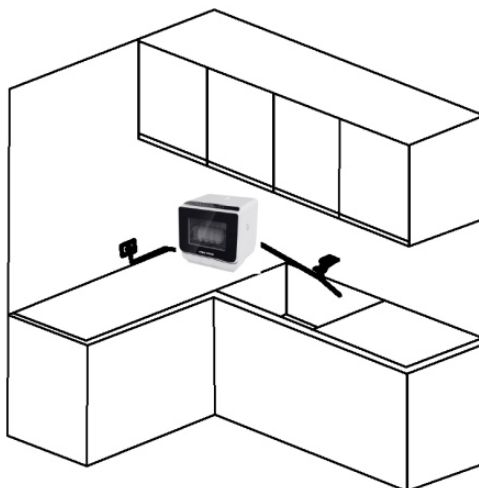
### Déballage

- Déballez le carton extérieur, le bloc de mousse, le sac en plastique.
- Déballez l'emballage du panier à vaisselle et sortez les accessoires.
- Remettez le panier à vaisselle en place correctement

**Conseils:** chaque appareil a été testé avant de quitter l'usine pour assurer la qualité. S'il y a des gouttes d'eau lorsque vous utilisez le lave-vaisselle pour la première fois, veuillez vous assurer de l'utilisation.

### Positionnement de l'appareil

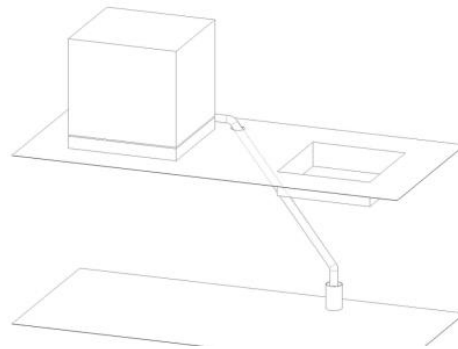
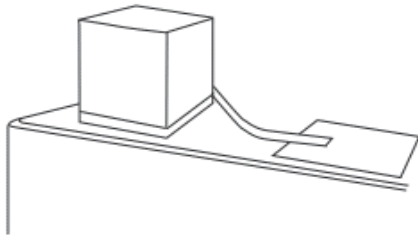
1. Placez l'appareil à l'endroit désiré. Veillez à ce que la hauteur soit supérieure à 500 mm et laissez une distance de plus de 50 mm sur les quatre côtés. Le lave-vaisselle est équipé de tuyaux (d'alimentation en eau et de vidange) qui peuvent être positionnés à droite ou à gauche pour faciliter une installation correcte.



2. Tenez l'appareil à l'écart d'une cuisinière à gaz ou d'autres sources de chaleur (plus de 300 mm).



3. Pour faciliter l'entrée ou la vidange, placez l'appareil sur un meuble ou une table.
4. Ne pas placer l'appareil dans un endroit ci-dessous :
  - Endroit exposé à la lumière directe du soleil
  - Endroit gelé
  - Endroit irrégulier et instable
5. Raccordement du tuyau de vidange
  - Raccordez le tuyau de vidange à la sortie et serrez-le. L'extrémité du tuyau ne doit pas être immergée dans l'eau.
  - Raccorder le tuyau d'entrée d'eau et le tuyau de vidange au lave-vaisselle, voir la figure ci-dessous :



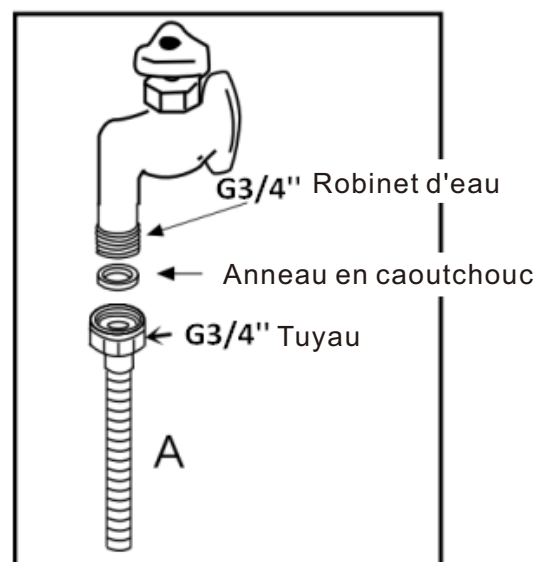
6. Fixez le tuyau de vidange sur l'évier à l'aide d'une ventouse.



7. Raccordez le tuyau d'entrée d'eau
  - Raccordez le tuyau d'entrée d'eau au robinet d'eau fileté G3/4
  - Assurez-vous qu'il est bien fixé.
  - Si le tuyau est neuf ou n'a pas été utilisé depuis longtemps, faites couler de l'eau pour vous assurer que l'eau est claire et exempte d'impuretés. Si cette précaution n'est pas prise, l'entrée d'eau risque de se boucher et d'endommager l'appareil.
8. La pression d'eau requise est de 0,03Mpa à 1,0Mpa .



### Raccordement électrique

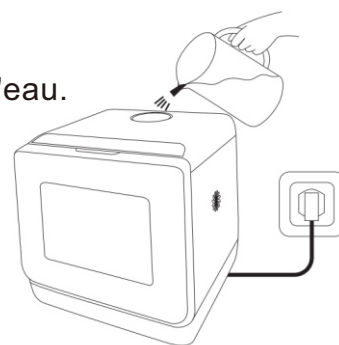
Après avoir vérifié que les valeurs de tension et de fréquence du courant dans la maison correspondent à celles indiquées sur la plaque signalétique et que l'installation électrique est adaptée à la tension maximale indiquée sur la plaque signalétique, insérez la fiche dans une prise électrique correctement mise à la terre (la mise à la terre de l'appareil est une exigence de sécurité imposée par la loi). Si la prise électrique à laquelle l'appareil doit être raccordé n'est pas adaptée à la fiche, remplacez tout le câble, plutôt que d'utiliser des adaptateurs ou autres, car ils pourraient provoquer une surchauffe et des brûlures.



## Mode d'ajout d'eau

### • Ajouter de l'eau manuellement

- Ouvrez le couvercle du réservoir d'eau, puis ajoutez 4,5 litres d'eau.
- Avant la mise en service, remplissez le réservoir d'eau, l'appareil émettra un son « di-di-di ».
- Après le démarrage, si le réservoir d'eau manque d'eau, l'icône «  » reste allumée, jusqu'à ce que l'appareil soit rempli d'eau, qu'il émette un son « di-di-di » et que l'icône «  » s'éteint.



(**ATTENTION** : L'écran affichera le code d'erreur « E1 » si le réservoir d'eau n'est pas complètement rempli).

### • Ajout automatique d'eau

- Connectez le tuyau d'eau au lave-vaisselle, il ajoutera de l'eau automatiquement.
- Veillez à ce que la pression de l'eau soit comprise entre 0,03MPa et 1,0MPa. Si elle est supérieure à 1,0MPa, l'appareil sera endommagé, si elle est inférieure à 0,03MPa, l'appareil ne fonctionnera pas correctement.

## Guide d'utilisation

### Vue d'ensemble du programme

Programme	Types de vaisselle	Type de restes alimentaires	État des restes alimentaires	Tablette pour lave-vaisselle	Temps de lavage (mins)
Lavage intensif	Porcelaine, Vaisselle couteau et fourchette, cuillère, baguettes, etc.	Soupe, ragoût, sauce, riz, œuf, rôti ou friture ect .	Coincé sur dur	10g	99
Lavage ECO	Porcelaine, Vaisselle couteau et fourchette, cuillère, baguettes, etc.	Soupe, ragoût, sauce, riz, œuf, rôti ou friture ect .	Collé sur dur	10g	139
Lavage normal	Porcelaine, Vaisselle couteau et fourchette, cuillère, baguettes, etc.	Soupe, ragoût, sauce, riz, œuf, rôti ou friture ect .	Collé sur dur	10g	79
Lavage rapide	Porcelaine, Vaisselle couteau et fourchette, cuillère, baguettes, etc.	Coffee, thé , soupe, jus de fruit	Mal fixé	8g	29
Lavage aux fruits	Pomme, raisin, poire etc.	/	/	/	18
Sèche	1 ) Séchage+Intensif/ Eco/ Normal/ Rapide, il fonctionnera 90 minutes toutes les 12 heures puis s'éteindra après 163,5 heures. 2 ) Appuyez longuement sur la touche DRY 3 à 5s pour activer le processus de séchage pendant 90 minutes toutes les 12 heures séparément, puis éteint après 163,5 heures.3 ) Appuyer longuement sur la touche DRY 3-5s à l'état d'arrêt, cela commencera à drainer l'eau l'intérieur de l'appareil pendant 4 minutes.				

Conseils : Si vous souhaitez obtenir un bon effet de séchage, nous vous recommandons sincèrement de choisir l'un des programmes de lavage (Intensif/Eco/Normal/Rapide) et de séchage pour y parvenir.

### Mise en place de la vaisselle, des verres, etc. dans le lave-vaisselle

Avant de placer la vaisselle dans le lave-vaisselle, retirez les plus grosses particules d'aliments afin d'éviter que le filtre ne se bouche, ce qui réduirait les performances. Si les casseroles et les poêles contiennent des aliments cuits qui sont extrêmement difficiles à enlever, nous recommandons de les faire tremper avant de les laver.

Cela évitera à effectuer des cycles de lavage supplémentaires. Tirez le panier pour charger le lave-vaisselle.



### Comment utiliser le panier

Nous vous recommandons de placer les articles les plus difficiles à nettoyer sur le panier : casseroles, poêles, couvercles, assiettes de service et bols, comme indiqué sur la figure. Il est préférable de placer les plats de service et les couvercles sur les côtés des grilles afin de ne pas bloquer la rotation du bras de pulvérisation. Les casseroles, les bols de service, etc. doivent toujours être placés avec la face vers le bas.



L'argenterie doit être placée dans le panier à argenterie avec les poignées en bas ; si le support a des paniers latéraux, les cuillères doivent être placées individuellement dans les fentes appropriées. Les ustensiles particulièrement longs doivent être placés en position horizontale.

### Capacité du support :

Assiette profonde	2	Tasse	2	Cuillère	4
Assiette creuse	3	Baguettes	4 paires	Saucière	2
Bol à riz	4	Verre	2	Cuillère de table	1
Bol à nouilles	3	Cuillère à riz	1		

**AVERTISSEMENT :** Les couteaux et autres ustensiles à pointes tranchantes doivent être chargés dans le panier avec leurs pointes vers le bas ou placés en position horizontale.

### Comment remplir le détergent

Il faut utiliser un détergent spécialement conçu pour le lave-vaisselle. Pour le lave-vaisselle de table sans distributeur, le détergent est ajouté directement dans le lave-vaisselle. Il doit être ajouté avant le début de chaque cycle de lavage.

### Ne convient pas au lave-vaisselle

1. Ce que vous ne devez pas mettre dans le lave-vaisselle, les couverts et la vaisselle fabriqués en tout ou partie en bois. Ils se décolorent et deviennent inesthétiques. De plus, les adhésifs utilisés ne sont pas adaptés à la température qui se produit à l'intérieur du lave-vaisselle. Verrerie et vases décoratifs délicats, porcelaine spéciale, ancienne ou irremplaçable.
2. Les motifs décoratifs de ces articles ne résistent pas au lave-vaisselle.
3. Les objets en plastique qui ne résistent pas à l'eau chaude, les ustensiles en cuivre et en étain ne conviennent pas non plus. Les motifs décoratifs imprimés ou peints sur la surface de la vaisselle, Les motifs décoratifs imprimés ou peints sur la surface de la vaisselle, des verres, etc., des objets en aluminium et en argent ont tendance à se décolorer ou à s'estomper s'ils sont lavés au lave-vaisselle. Certains types de verre peuvent devenir opaques après avoir été lavés plusieurs fois au lave-vaisselle. Les matériaux très absorbants, tels que les éponges et les serviettes, ne doivent jamais être placés dans le lave-vaisselle.

### Notre recommandation

À l'avenir, n'achetez que de la vaisselle ou des ustensiles de cuisine dont la résistance au lavage au lave-vaisselle a été confirmée.



#### Important

La vaisselle ou les couverts qui ont été souillés par des cendres de tabac, de la cire, de la graisse lubrifiante ou de la peinture ne doivent pas être mis dans le lave-vaisselle.

### Détérioration de la verrerie et de la vaisselle

#### Causes possibles

- Type de verre ou procédé de fabrication
- Composition chimique du détergent
- Température de l'eau et durée du programme du lave-vaisselle.

#### Solution suggérée

- Utilisez de la verrerie ou de la vaisselle en porcelaine portant la mention « résistant au lave-vaisselle » du fabricant.
- Utilisez un détergent doux décrit comme « bon pour la vaisselle ». Si nécessaire, demandez des informations complémentaires aux fabricants de détergents.
- Sélectionnez un programme avec une température basse et une durée aussi courte que possible.
- Pour éviter tout dommage, retirez le verre et les couverts du lave-vaisselle dès que possible après la fin du programme.

### Sélection du programme de lavage de la vaisselle

Le programme le plus approprié peut être identifié en comparant le type de vaisselle, de couverts, etc. ainsi que la quantité et l'état des restes d'aliments, avec les détails contenus dans le tableau des cycles de lavage. La séquence, la durée et la consommation du programme correspondant sont indiquées dans la moitié droite de l'aperçut.

Par exemple : Utilisez le programme <intensif ou ECO> pour la vaisselle et les ustensiles qui ont beaucoup de restes d'aliments collés.

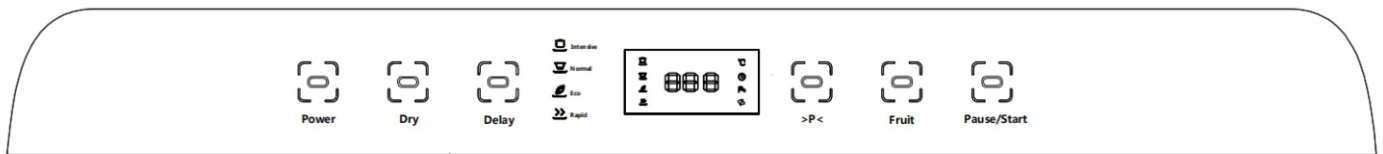
## Données du programme

Les données de programme indiquées sont basées sur des conditions de fonctionnement standard. Les valeurs peuvent varier considérablement en fonction de la quantité de vaisselle Température de l'eau du réseau Pression de l'eau du réseau Température ambiante Fluctuations de la tension du réseau Facteurs liés à l'appareil (par ex. température, volume d'eau, . . .)

## Mise en marche du lave-vaisselle

### Fermez la porte, puis

- Appuyez sur le bouton d'« alimentation »
- Appuyez sur programme pour choisir le mode de lavage, l'écran affiche le temps restant du programme. Si vous changez de programme, vous pouvez continuer à appuyer sur le bouton « >P< ».
- Appuyez sur le bouton « Pause/Démarrage », le programme démarre automatiquement.



## Fin du programme

Six bips sonores indiquent que le cycle de lavage est terminé, puis le lave-vaisselle est éteint.

Plusieurs minutes après la fin du programme :

- Ouvrez la porte.
- Tournez le robinet d'eau.
- Retirez la vaisselle lorsqu'elle a refroidi.

## Interruption le programme

- Ouvrez la porte. Attention ! Il existe un risque de projection d'eau à l'intérieur de l'appareil. N'ouvrez pas complètement la porte tant que le bras de pulvérisation n'a pas cessé de tourner.
- Ouvrez la porte, veuillez d'abord appuyer sur le bouton « Pause/Démarrage » !
- Si l'appareil a déjà chauffé ou si l'eau chaude a été mise en marche et que la porte de l'appareil s'est ensuite ouverte, laissez la porte entrouverte pendant plusieurs minutes, puis refermez-la.

Sinon, la porte de l'appareil risque de s'ouvrir sous l'effet de la dilatation.

## Annulation ou modification d'un cycle

- Pour modifier un cycle en cours, appuyez sur le bouton d'« Alimentation », tous les réglages seront annulés. Pour régler un nouveau cycle, appuyez à nouveau sur le bouton d'« Alimentation » pour allumer le lave-vaisselle, appuyez sur «>P<» pour choisir le nouveau mode de lavage . Lors de la modification du cycle, si le détergent a déjà été utilisé et que l'appareil a déjà évacué l'eau de lavage. Si tel est le cas, le détergent doit être rempli à nouveau.
- Pour annuler un cycle en cours, appuyer sur le bouton d'« Alimentation » est ok.

## Comment maintenir votre lave-vaisselle en forme

- Après chaque lavage

Après chaque lavage, coupez l'alimentation en eau de l'appareil et laissez la porte légèrement entrouverte afin que l'humidité et les odeurs ne soient pas emprisonnées à l'intérieur.

- Retirer la fiche

Avant de procéder au nettoyage ou à l'entretien ; retirez toujours la fiche de la prise. Ne courez pas de risques.

- Pas de solvants ni de produits de nettoyage abrasifs

Pour nettoyer l'extérieur et les parties en caoutchouc du lave-vaisselle, n'utilisez pas de solvants ou de produits de nettoyage abrasifs. Utilisez plutôt uniquement un chiffon et de l'eau chaude savonneuse.

Pour éliminer les taches sur la surface intérieure, utilisez un chiffon humidifié avec de l'eau et un peu de vinaigre, ou un produit de nettoyage spécialement conçu pour le lave-vaisselle.

- Déplacement de l'appareil

Si l'appareil doit être déplacé, essayez de le maintenir en position verticale. En cas d'absolue nécessité, il peut être positionné sur le dos.

- Joints

L'un des facteurs à l'origine de la formation d'odeurs dans le lave-vaisselle est la nourriture qui reste piégée dans les joints. Un nettoyage périodique à l'aide d'une éponge humide permet d'éviter ce phénomène. La porte ne doit pas être laissée en position ouverte car elle pourrait présenter un risque de trébuchement.

- Lorsque vous partez en vacances

Lorsque vous partez en vacances, il est recommandé de lancer un cycle de lavage avec le lave-vaisselle vide, puis de retirer la fiche de la prise de courant, de couper l'alimentation en eau et de laisser la porte de l'appareil légèrement entrouverte. Cela permettra aux joints de durer plus longtemps et empêchera la formation d'odeurs à l'intérieur de l'appareil.

## Entretien et maintenance

L'inspection et l'entretien réguliers de votre appareil permettent de prévenir les problèmes. Cela permet d'économiser du temps et de l'énergie. Vous devez donc inspecter soigneusement l'intérieur de votre lave-vaisselle de temps en temps.

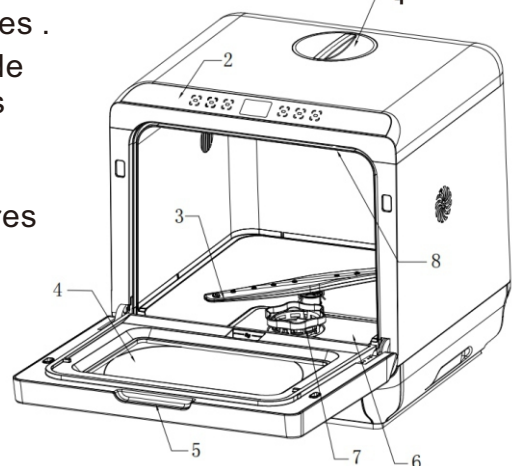
## État général de l'appareil

Vérifiez qu'il n'y a pas d'accumulation de graisse ou de calcaire à l'intérieur du lave-vaisselle. Si vous découvrez des dépôts : Nettoyez soigneusement l'intérieur du lave-vaisselle avec un détergent.

## Filtre

Les filtres 6 et 7 permettent d'empêcher les grosses particules d'aliments présentes dans l'eau d'atteindre la pompe. Ces particules peuvent occasionnellement bloquer les filtres.

- Une fois le lavage de l'appareil terminé, vérifiez que les filtres ne contiennent pas de particules d'aliments et, le cas échéant, nettoyez-les .
- Après avoir défilé le micro-filtre grossier 7, l'unité de filtration 6 peut être retirée. Retirez les éventuelles particules d'aliments et rincez les filtres à l'eau courante.
- Insérez l'unité de filtration 6 et serrez les micro-filtres grossiers 7.



### **Bras de pulvérisation**

Le calcaire et les restes d'aliments présents dans l'eau de lavage peuvent obstruer les buses des bras d'aspersion

- Inspectez les buses des bras de pulvérisation pour vous assurer qu'elles ne sont pas obstruées par des restes d'aliments.
- Si nécessaire, tirez le bras inférieur vers le haut et soulevez-le .
- Nettoyez les bras de pulvérisation sous l'eau courante.
- Remontez les bras de pulvérisation.

### **Recherche des pannes**

Résoudre soi-même les problèmes mineurs

L'expérience a montré que vous pouvez résoudre vous-même la plupart des problèmes qui surviennent lors d'une utilisation quotidienne normale, sans avoir à faire appel à un technicien. Cela permet non seulement de réduire les coûts, mais aussi de remettre l'appareil en service beaucoup plus rapidement.

La liste suivante de phénomènes courants et de leurs solutions devrait vous aider à identifier les causes de la plupart des problèmes.

### **Problèmes**

Lorsque l'appareil est mis en marche, il ne démarre pas

- Défaut au niveau du fusible de l'alimentation électrique du réseau.
  - La fiche n'est pas insérée dans la prise murale.
  - La porte de l'appareil n'est pas correctement fermée.
  - Le bouton de programmation n'a pas été enfoncé.
  - Le robinet d'eau n'est pas ouvert.
  - Crépine bouchée dans le tuyau d'admission d'eau.
- La crépine est située dans l'arrêt d'eau ou le raccord du tuyau d'alimentation.


### **! Attention**

**N'oubliez pas que les réparations ne doivent être effectuées que par un spécialiste qualifié.**

**Des réparations non conformes peuvent entraîner des dommages considérables à l'appareil ainsi que des risques pour l'utilisateur et l'appareil lui-même.**

avec l'appareil lui-même

Affichage des erreurs sur l'indicateur de durée de vie

Code d'erreur	Raison possible	Solution
E1	Lancer le programme mais le réservoir d'eau n'est pas encore rempli d'eau	L'utilisateur doit s'assurer que le réservoir d'eau est rempli jusqu'à ce que le symbole du robinet d'eau sur l'affichage s'éteigne, tandis que la machine émet un son "di-di-di-di-di".  
	Anomalie de la soupape de sécurité	L'utilisateur peut remplir le réservoir d'eau, puis appuyer sur le bouton "Dry" pendant 3 à 5 secondes en mode éteint pour activer le processus de vidange, qui dure 4 minutes. Si le problème persiste, veuillez contacter notre service après-vente.
	Autres raisons de manque d'eau	Redémarrez la machine, si le problème persiste, veuillez contacter notre service après-vente.
E2	Anomalie du capteur de température	Redémarrez la machine, si le problème persiste, veuillez contacter notre service après-vente.
E4	Anomalie de la plaque chauffante	Redémarrez la machine, si le problème persiste, veuillez contacter notre service après-vente.
E5	Anomalie du fil de connexion	Redémarrez la machine, si le problème persiste, veuillez contacter notre service après-vente.

De l'eau reste à l'intérieur de l'appareil après la fin du programme

- Blocage ou genre dans le tuyau de vidange.
- La pompe est bloquée.
- Les filtres sont obstrués.

Le programme est toujours en cours d'exécution. Attendez que le programme se termine.

Pendant le lavage

Une quantité inhabituelle de mousse est froissée.

- Du liquide vaisselle normale a été versé dans le lave-vaisselle.
- Retirez tout produit de rinçage renversé à l'aide d'un chiffon, car il pourrait sinon entraîner une formation excessive de mousse lors du prochain cycle de lavage.

L'appareil s'arrête soudainement pendant le lavage

- Coupez l'alimentation électrique de l'appareil.
- L'alimentation en eau a été interrompue.

Un bruit de cognement se fait entendre pendant le lavage

- Un bras de pulvérisation heurte la vaisselle à l'intérieur de l'appareil.
- Un bruit de cliquetis se fait entendre pendant le lavage.
- La vaisselle n'a pas été empilée correctement à l'intérieur de l'appareil.

Bruit de cliquetis provenant des soupapes d'admission.

- Cela est dû à la façon dont les conduites d'eau ont été posées et n'a aucun effet sur le fonctionnement de l'appareil. Il n'y a pas de solution à ce problème.
- Enlevez tout produit de rinçage renversé à l'aide d'un chiffon, car il pourrait sinon entraîner une formation excessive de mousse lors du prochain cycle de lavage t.

Avec la vaisselle, les couverts, etc.

Des restes d'aliments sont collés à la vaisselle, aux couverts, etc .

- Le lave-vaisselle n'a pas été chargé correctement. Les jets d'eau n'ont pas pu atteindre toutes les parties de la vaisselle, etc. .
- Il y a trop d'articles dans le support.
- Les articles dans le support se touchaient les uns les autres.
- Une quantité insuffisante de détergent a été ajoutée au lave-vaisselle.
- Le programme de lavage sélectionné n'était pas assez intensif.
- La rotation du bras de pulvérisation était obstruée par de la vaisselle, etc .
- Les buses du bras de pulvérisation sont bloquées par des restes d'aliments.
- Les filtres sont obstrués.
- Les filtres ont été installés de manière incorrecte.
- La pompe à eaux usées est bloquée.

Les articles en plastique sont décolorés

- Une quantité insuffisante de détergent a été ajoutée au lave-vaisselle.
- La propriétés de blanchiment du détergent n'est pas suffisante . Utilisez un détergent contenant un agent de blanchiment chimique.

Des taches blanches sont laissées sur la vaisselle, les verres ont un aspect laiteux.

- Une quantité insuffisante de détergent a été ajoutée dans le compartiment du distributeur.
- Bien que l'eau soit assez dure,
- Si vous avez utilisé un détergent sans phosphates, essayez un détergent contenant des phosphates et comparez les résultats .

La vaisselle, les couverts, etc. n'ont pas été séchés

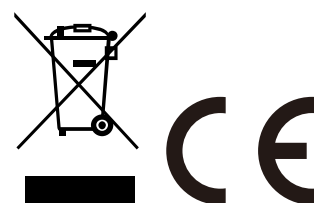
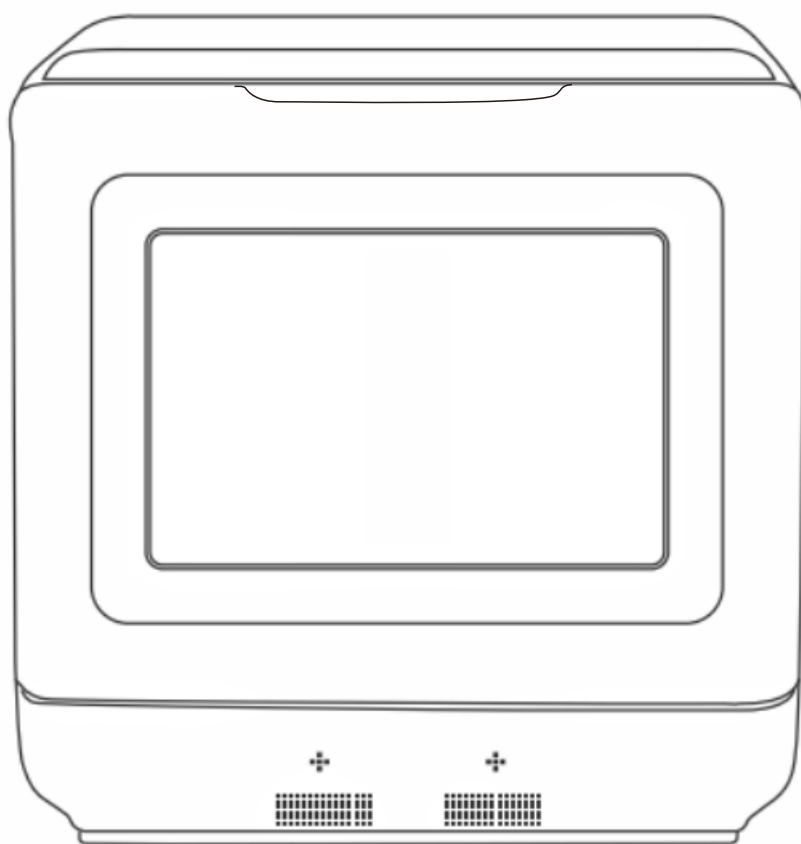
- Le programme sélectionné ne comprend pas de fonction de séchage.
- Les articles ont été retirés du lave-vaisselle trop tôt .

Les taches de thé ou les traces de rouge à lèvres n'ont pas été complètement éliminées.

- Le détergent n'a pas un effet blanchissant suffisant,
- La température de lavage a été réglée trop bas.

Les verres se troublent et se décolorent ; le revêtement ne peut pas être essuyé.

- Un détergent inadapté a été utilisé.
- Les verres ne résistent pas au lave-vaisselle.



**IMPORTANTE, LEA Y GUARDE PARA FUTURAS REFERENCIAS.**

# MANUAL DE INSTRUCCIONES

## CONTENIDO

**Conoce tu lavavajillas**

Advertencias de seguridad-----	35
Estructura interna y nombre de las piezas-----	36
Panel de control-----	37
Accesorios-----	37
Características del producto-----	37
Ficha técnica-----	37

**Guía de instalación**

Desembalaje -----	38
Colocación del aparato -----	38
Conexión eléctrica -----	39
Modo de añadir agua -----	39

**Guía del usuario**

Resumen de programas-----	40
Cómo colocar la vajilla-----	41
Cómo utilizar la bandeja-----	41
Cómo llenar el detergente-----	42
No apto para lavavajillas-----	42
Nuestra recomendación-----	42
Daños en la cristalería y otras vajillas-----	42
Remedio sugerido-----	42
Lavar la vajilla-----	42
Encendido del lavavajillas-----	43
Fin del programa-----	43
Interrupción del programa-----	43
Cancelar o modificar un ciclo -----	43
Cómo mantener el lavavajillas-----	43
Cuidado y mantenimiento-----	44
Estado general del aparato-----	44
Filtro-----	44
Localización de averías-----	45

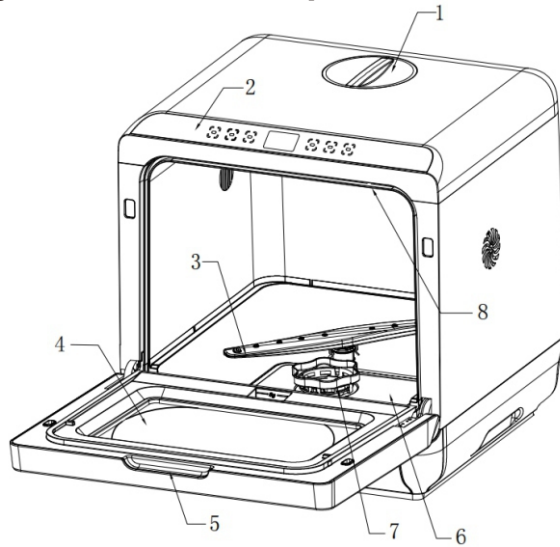
## Conoce tu lavavajillas

### Advertencias de seguridad

1. En el momento de la entrega, compruebe inmediatamente si el embalaje y el lavavajillas presentan signos de daños de transporte. Si el aparato está dañado, no lo ponga en funcionamiento y póngase en contacto sin demora con su proveedor o con el servicio de atención al cliente. Deseche los materiales de embalaje de forma adecuada.
2. Coloque el lavavajillas y conéctelo de acuerdo con las instrucciones de instalación.
3. El lavavajillas no debe conectarse a la red eléctrica mientras se realiza la instalación.
4. Asegúrese de que la instalación eléctrica doméstica está correctamente conectada a tierra.
5. La red eléctrica debe ajustarse a los datos indicados en la placa de características del lavavajillas. No conecte el lavavajillas a la red eléctrica mediante un cable alargador.
6. Durante la instalación, el cable de alimentación no debe doblarse ni flatarse de forma excesiva o peligrosa. Durante la instalación, el lavavajillas sólo debe ser utilizado por adultos para el lavado de la vajilla doméstica.
7. Este aparato no puede instalarse en el exterior, ni siquiera si la zona en la que se instala está cubierta por un tejado; además, es muy peligroso dejarlo expuesto a la lluvia y a la intemperie.
8. No coloque objetos pesados ni recipientes con agua, influirá en el trabajo del lavavajillas o causará daños.
9. El agua del interior del lavavajillas no es apta para el consumo. 10. No utilice disolventes de ningún tipo dentro del lavavajillas. Podrían causar peligro de explosión.
10. Abra la puerta con mucho cuidado si el lavavajillas está en funcionamiento. Existe el riesgo de que salga agua. No toque la resistencia durante o después de un ciclo de lavado.
11. Reglas fundamentales a seguir durante el uso del aparato:
  - Nunca toque el lavavajillas estando descalzo o con las manos o los pies mojados.
  - Desaconsejamos el uso de alargadores y enchufes múltiples.
  - Si el electrodoméstico no funciona correctamente o es necesario realizar tareas de mantenimiento, desconéctelo de la red eléctrica.
12. Si en su familia hay niños, mantenga los detergentes fuera del alcance de los niños, que también deben mantenerse alejados del lavavajillas cuando esté abierto.
13. En caso de avería:
  - En caso de avería, cierre el suministro de agua al aparato y desconecte el enchufe de la toma de corriente. A continuación, consulte el apartado «Localización de averías». Si no puede resolver el problema, póngase en contacto con un centro de asistencia técnica.
  - Sólo el personal especializado está autorizado para realizar reparaciones.
14. Para mantener la EFICIENCIA y SEGURIDAD de este aparato, recomendamos:
  - Acuda únicamente a los centros de servicio autorizados por el fabricante.
  - Utilice siempre piezas de repuesto originales.
15. Al deshacerse de aparatos viejos:
  - Los aparatos que ya no se utilicen deben ser inutilizados cortando el cable de alimentación y retirando la puerta.
  - Lleve el aparato a un centro de eliminación de residuos designado.
16. Este aparato puede ser utilizado por niños a partir de 8 años y por personas con capacidades físicas, sensoriales o mentales reducidas o con falta de experiencia y conocimientos, siempre que hayan recibido supervisión o instrucciones sobre el uso seguro del aparato y comprendan los riesgos que conlleva.
17. Los niños no deben jugar con el aparato.

18. La limpieza y el mantenimiento por parte del usuario no deben ser realizados por niños sin supervisión.
19. Si el cable de alimentación está dañado, debe ser sustituido por el fabricante, su agente de servicio o personas igualmente cualificadas para evitar cualquier peligro.
20. Deben utilizarse los nuevos juegos de mangueras suministrados con el aparato y no deben reutilizarse los juegos de mangueras antiguos.
21. No debe dejarse la puerta abierta, ya que podría suponer un peligro de tropiezo.
22. **ADVERTENCIA:** Los cuchillos y otros utensilios con puntas afiladas deben colocarse en la cesta con las puntas hacia abajo o en posición horizontal.
23. Este aparato está destinado a ser utilizado en aplicaciones domésticas y similares, tales como:
  - cocinas para el personal en tiendas, oficinas y otros entornos de trabajo;
  - casas de campo;
  - por clientes en hoteles, moteles y otros entornos de tipo residencial;
  - entornos de tipo bed and breakfast.
24. Las aberturas no deben estar obstruidas por una alfombra.

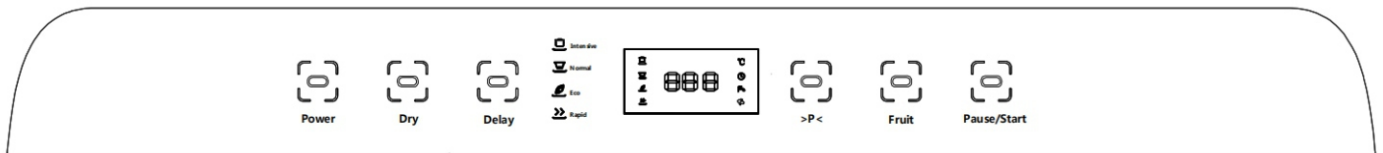
**Estructura interna y nombre de las piezas**




No.	Piezas	No.	Piezas
1	Tapa del depósito de agua	5	Asa
2	Panel de control	6	Rejilla del filtro
3	Brazo rociador	7	Filtro
4	Puerta interior de cristal	8	Rociador superior



### Panel de control



			 Intensive  Normal  Eco  Rapid			
<b>Power</b>	<b>Dry</b>	<b>Delay</b>		<b>&gt;P&lt;</b>	<b>Fruit</b>	<b>Pause /Start</b>
Encender/ Apagar	Mantener la vajilla seca	Establecer hora programada		Elegir modo de lavado	Limpiar frutas	Pausar o Iniciar

### Accesorios

Escurreplatos	1	Tubo de desagüe	1	Abrazadera (para desagüe)	1
Caja de palillos	1	Tubo de entrada de agua	1	Vaso medidor	1
Cesta de fruta	1	Ventosa	1	Manual de instrucciones	1

### Características del producto

- Lavado a alta temperatura
- Lavavajillas de sobremesa, fácil de instalar
- Lavado rápido, sólo 29 min.
- Con función de lavado de frutas (para manzanas, uvas, etc.)

### Ficha técnica

Potencia	220-240V~ 50Hz
Potencia nominal	840W
Consumo de agua	4.5L
Medidas (LxANxAL)	17.72*17.32*18.03inch/45*44*45.8cm
Peso (N.W.)	13.5 KGS
Método de secado	Aire caliente

**Guía de instalación**

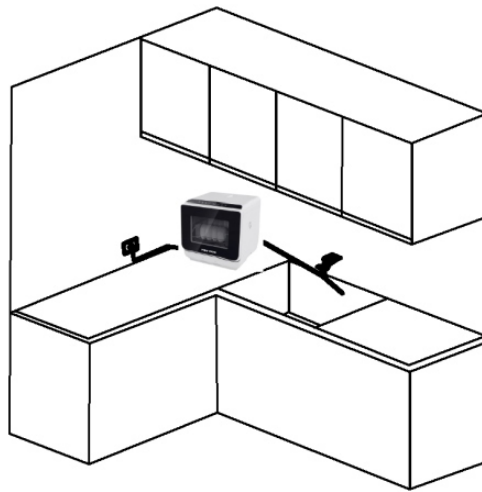
**Desembalaje**

- Desembalaje cartón externo, almohadilla de espuma, bolsa de plástico
- Desembale el escurrer platos y saque los accesorios
- Vuelva a colocar el escurrer platos

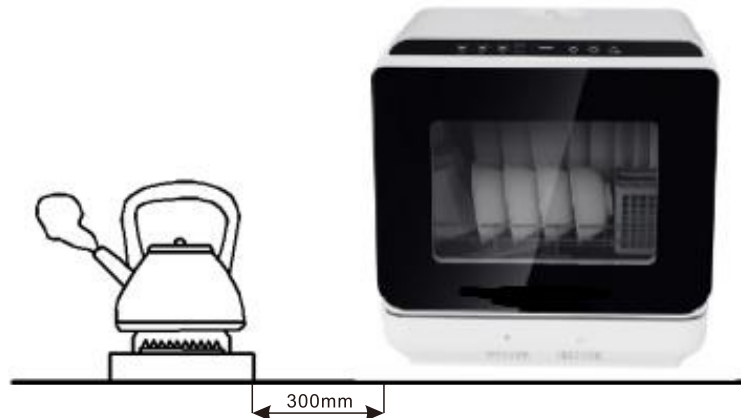
**Consejo:** cada aparato ha sido probado antes de salir de fábrica para garantizar su calidad. Si hay gotas de agua la primera vez que utilice el lavavajillas, asegúrese de usarlo.

**Colocación del aparato**

1. Coloque el aparato en el lugar deseado. Asegúrese de que la altura sea superior a 500 mm y deje una distancia de más de 50 mm en los cuatro lados. El lavavajillas está equipado con mangueras (de suministro de agua y) de desagüe que pueden colocarse a la derecha o a la izquierda para facilitar una correcta instalación.



2. Mantenga el aparato alejado de estufas de gas u otros productores de calor(más de 300mm)



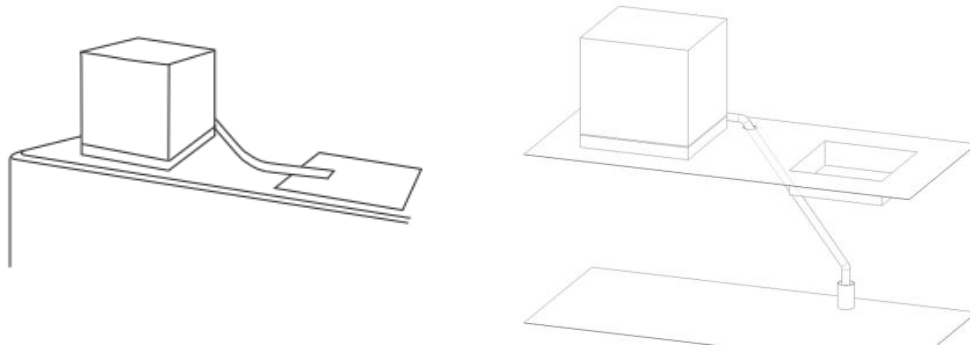
3. Para facilitar la entrada o el desagüe, coloque este aparato sobre el mueble o la mesa.

4. No coloque el aparato en lugares bajos:

- Lugares con luz solar directa
- Lugar congelado
- Lugar irregular e inestable

5. Conexión del tubo de desagüe

- Conecte el tubo de desagüe a la salida y sujételo con una abrazadera, y el tubo final no debe estar sumergido en agua.
- Conecte el tubo de entrada de agua y el tubo de desagüe al lavavajillas, vea la imagen inferior:



6. Fije el tubo de desagüe en el fregadero con ventosa



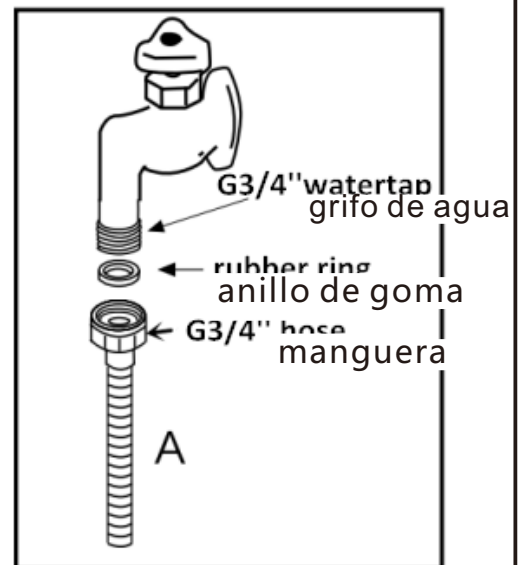
7. Conectar el tubo de entrada de agua

- Conecte el tubo de entrada de agua al grifo roscado G3/4.
- Asegúrese de que está bien fijada.
- Si la tubería es nueva o no se ha utilizado durante mucho tiempo, deje correr el agua para asegurarse de que el agua esté clara y libre de impurezas. Si no se toma esta precaución, existe el peligro de que la entrada de agua se obstruya y dañe el equipo.



8. La presión de agua requerida es de 0,03Mpa~1,0Mpa.

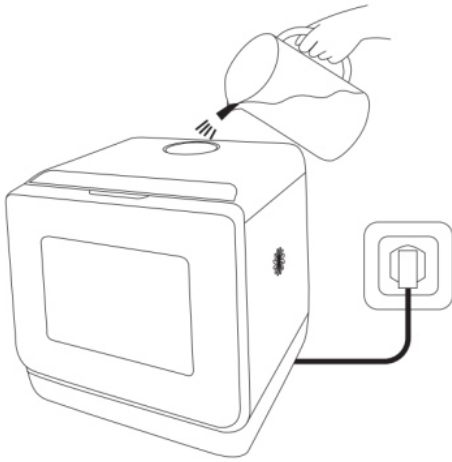
**Conexión eléctrica**

Después de asegurarse de que los valores de tensión y frecuencia de la corriente en la vivienda se corresponden con los de la placa de características y de que la instalación eléctrica es correcta para la tensión máxima indicada en la placa de características, inserte el enchufe en una toma de corriente que esté correctamente conectada a tierra (la puesta a tierra del aparato es un requisito de seguridad obligatorio por ley). Si la toma de corriente a la que debe conectarse el aparato no es adecuada para el enchufe, sustituya todo el cable, en lugar de utilizar adaptadores o similares, ya que podrían provocar sobrecalentamientos y quemaduras.



**Modo de añadir agua**

- Añadir agua manualmente
- Abra la tapa del depósito de agua y añada 4,5 litros de agua.
- Antes de la puesta en marcha, llene con agua, el aparato emitirá un sonido «di-di-di».
- Después de la puesta en marcha, si falta agua en el depósito, el icono, “” se mantiene encendido, hasta que se llene de agua, el aparato emitirá un sonido “di-di-di” y “” se apagará.



**(ADVERTENCIA: La pantalla mostrará el código de error «E1» si el depósito de agua no está completamente lleno)**

● **Añadir agua automáticamente**

- Conecte la tubería de agua en el lavavajillas, añadirá agua automáticamente.
- Asegúrese de que la presión del agua está entre 0,03 MPa y 1,0 MPa, si es superior a 1,0 MPa, dañará el aparato, si es inferior a 0,03 MPa, afectará al funcionamiento del aparato.

**Guía del usuario**

**Resumen de programas**

Programa	Tipos de vajilla	Tipo de restos de comida	Estado de los restos	Pastilla lavavajillas	Tiempo de lavado (min.)
Lavado intensivo	Vajilla de porcelana, cuchillo y tenedor, cuchara, palillos, etc.	Sopa, cazuela, salsa, arroz, huevo, comida asada o frita, etc.	Adherido firmemente	10g	99
Lavado ecológico	Vajilla de porcelana, cuchillo y tenedor, cuchara, palillos, etc.	Sopa, cazuela, salsa, arroz, huevo, comida asada o frita, etc.	Adherido firmemente	10g	139
Lavado normal	Vajilla de porcelana, cuchillo y tenedor, cuchara, palillos, etc.	Sopa, cazuela, salsa, arroz, huevo, comida asada o frita, etc.	Adherido firmemente	10g	79
Lavado rápido	Vajilla de porcelana, cuchillo y tenedor, cuchara, palillos, etc.	Café, té, sopa, jugo	Ligerament e adherido	8g	29
Lavado de frutas	Manzanas, uvas, peras, etc.	/	/	/	18
Seco	1) Seco+Intensivo/Eco/Normal/Rápido, funcionará 90 minutos cada 12 horas alternadas, se apagará después de 163,5 horas.				
	2) Mantenga presionada la TECLA DE SECADO durante 3 a 5 segundos para activar el proceso de secado durante 90 minutos cada uno, alternando 12 horas por separado, luego apáguelo después de 163,5 horas.				
	3) Mantenga presionada la TECLA SECO durante 3 ~ 5 segundos en el estado de apagado, comenzar á a drenar el hidrops dentro del aparato durante 4 minutos.				

**Consejo:** Si desea obtener un buen efecto de secado, le recomendamos que elija uno de los programas de lavado (Intensivo/Eco/Normal/Rápido) y secado para conseguirlo.

**Colocación de la vajilla, vasos, etc. en el lavavajillas**

Antes de colocar la vajilla en el lavavajillas, retire las partículas de comida más grandes para evitar que el filtro se obstruya, lo que reduce el rendimiento. Si las ollas y sartenes tienen comida horneada muy difícil de quitar, recomendamos ponerlas en remojo antes de lavarlas. Esto eliminará la necesidad de ciclos de lavado adicionales. Saque la bandeja para cargar el lavavajillas.



**Cómo utilizar la bandeja**

Le recomendamos que coloque los objetos más difíciles de limpiar en la rejilla: ollas, sartenes, tapas, platos de servir y cuencos, como se muestra en la figura. Es preferible colocar los platos de servir y las tapas en los laterales de las rejillas para evitar bloquear la rotación del brazo rociador. Las ollas, fuentes, etc. deben colocarse siempre boca abajo.



Los cubiertos deben colocarse en la cesta para cubiertos con los mangos en la parte inferior; si el estante tiene cestas laterales, las cucharas deben colocarse individualmente en las ranuras correspondientes. Los utensilios especialmente largos deben colocarse en posición horizontal.

**Capacidad de la bandeja:**

Plato hondo	2	Taza	2	Cuchara	4
Plato llano	3	Cubiertos	4 pares	Salsera	2
Cuenco	4	Vaso	2	Cuchara de mesa	1
Tazón	3	Cucharón	1		

**ADVERTENCIA:** Los cuchillos y otros utensilios con puntas afiladas deben cargarse en la cesta con las puntas hacia abajo o colocarse en posición horizontal.

## Cómo llenar el detergente

Se debe utilizar detergente específico para lavavajillas. Para el lavavajillas de mesa sin dosificador, por lo que el detergente fill en el lavavajillas directamente. Y debe rellenarse antes del inicio de cada ciclo de lavado.

## No apto para el lavavajillas

1. Lo que no debe meter en el lavavajillas, cubiertos y vajillas fabricados total o parcialmente de madera. Se decoloran y adquieren un aspecto antiestético. Además, los adhesivos que se utilizan no son adecuados para la temperatura que se produce en el interior del lavavajillas. Cristalería y jarrones decorativos delicados, vajillas especiales antiguas o insustituibles.
2. Los motivos decorativos de estos artículos no son aptos para el lavavajillas.
3. Tampoco son adecuados los objetos de plástico que no resistan el agua caliente, ni los utensilios de cobre y peltre. Los motivos decorativos impresos o pintados en la superficie de vajillas, vasos, etc., los objetos de aluminio y plata tienden a decolorarse o desteñirse si se lavan en el lavavajillas. Algunos tipos de vidrio pueden adquirir un aspecto opaco después de haber sido lavados muchas veces en el lavavajillas. Los materiales muy absorbentes, como esponjas y toallas, no deben introducirse nunca en el lavavajillas.

## Nuestra recomendación

En el futuro, compre únicamente vajillas o utensilios de cocina que hayan sido confirmados como aptos para el lavavajillas.



### Importante

Los platos o cubiertos que se hayan ensuciado con ceniza de tabaco, cera, grasa lubricante o pintura, no deben introducirse en el lavavajillas.

## Daños en la cristalería y demás vajilla

### Posibles causas

- Tipo de vidrio o proceso de fabricación
- Composición química del detergente
- Temperatura del agua y duración del programa del lavavajillas

### Remedio sugerido

- Utilice cristalería o vajilla de porcelana que el fabricante haya marcado como «apta para lavavajillas».
- Utilice un detergente suave que se describa como «respetuoso con la vajilla». Si es necesario, solicite más información a los fabricantes de detergentes.
- Seleccione un programa con una temperatura baja y una duración lo más corta posible.
- Para evitar daños, saque el cristal y los cubiertos del lavavajillas lo antes posible una vez finalizado el programa.

## Lavar la vajilla

### Selección del programa

El programa más adecuado puede identificarse comparando el tipo de vajilla, cubertería, etc., así como la cantidad y estado de los restos de comida, con los detalles contenidos en la tabla de ciclos de lavado. La secuencia del programa correspondiente, la duración y los detalles de consumo se muestran en la mitad derecha de la vista general.

**Por ejemplo:** Utilice el programa <intensivo o ECO> para vajillas y utensilios que tengan muchos restos de comida adheridos con dureza.

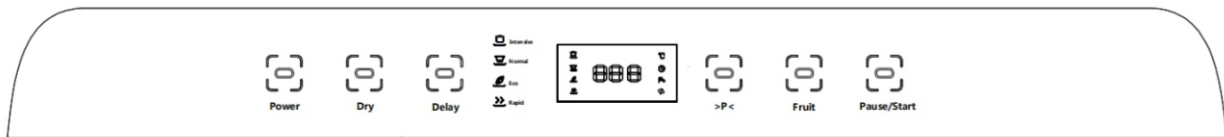
## Datos del programa

Los datos de programa indicados se basan en condiciones de funcionamiento estándar. Los valores pueden variar considerablemente en función de las diferentes cantidades de vajilla temperatura de la red de suministro de agua presión de la red de suministro de agua temperatura ambiente fluctuaciones de la tensión de red factores relacionados con la máquina (p. ej. temperatura, volumen de agua, ...)

## Encendido del lavavajillas

### Cerré la puerta, entonces

- Presione el botón “Encendido”
- Presione programa para elegir el modo de lavado, la pantalla muestra el tiempo restante del programa. Si cambia el programa, puede continuar presionando el botón “>P<”
- Presione el botón “Pausa/Inicio”, el programa se inicia automáticamente.



## Fin del programa

Seis pitidos indicarán que el ciclo de lavado ha finalizado y el lavavajillas se apagará. Varios minutos después de que haya finalizado el programa:

- Abra la puerta.
- Cierre el grifo de agua.
- Retire la vajilla, etc. cuando se haya enfriado.

## Interrupción el programa

- Abra la puerta. Atención. Existe el riesgo de que salga un chorro de agua del interior del aparato. No abra la puerta completamente hasta que el brazo rociador haya dejado de girar.
- Abra la puerta, ¡Presione primero el botón «Pausa/Inicio»!
- Si el aparato ya se ha calentado o se ha conectado el agua caliente y luego se ha abierto la puerta del aparato, deje la puerta entreabierta durante varios minutos y luego ciérrela. De lo contrario, la puerta del aparato podría abrirse debido a la dilatación.

## Cancelación o modificación de un ciclo

- Para modificar un ciclo que ya está en curso, presiona el botón de “Encendido”, y se cancelarán todas las configuraciones. Para establecer un nuevo ciclo, presiona nuevamente el botón de “Encendido” para encender el lavavajillas, luego presiona “>P<” para seleccionar un nuevo modo de lavado. Al modificar el ciclo, si el detergente ya se ha utilizado y el electrodoméstico ya ha drenado el agua de lavado, en este caso, el detergente debe ser rellenado.
- Para cancelar un ciclo en funcionamiento, está bien presionar el botón de “Encendido”.

## Cómo mantener el lavavajillas

- Después de cada lavado

Después de cada lavado, cierre el suministro de agua del aparato y deje la puerta ligeramente entreabierta para que la humedad y los olores no queden atrapados en el interior.

- Retire el enchufe

Antes de limpiar o realizar tareas de mantenimiento, desconecte siempre el enchufe de la toma de corriente. No corra riesgos.

- No utilizar disolventes ni productos de limpieza abrasivos

Para limpiar el exterior y las piezas de goma del lavavajillas, no utilice disolventes ni productos de limpieza abrasivos. En su lugar, utilice sólo un paño y agua tibia jabonosa. Para eliminar manchas de la superficie del interior, utilice un paño humedecido con agua y un poco de vinagre o un producto de limpieza específico para lavavajillas.

- Traslado del aparato

Si es necesario mover el aparato, procure mantenerlo en posición vertical. Si es absolutamente necesario, puede colocarse boca arriba.

- Juntas

Uno de los factores que provocan la formación de olores en el lavavajillas son los alimentos que quedan atrapados en las juntas. La limpieza periódica con una esponja húmeda evitará que esto ocurra.

La puerta no debe dejarse en posición abierta, ya que podría suponer un peligro de tropiezo.

- Cuando se vaya de vacaciones

Cuando se vaya de vacaciones, se recomienda realizar un ciclo de lavado con el lavavajillas vacío y, a continuación, desconectar el enchufe de la toma de corriente, cerrar el suministro de agua y dejar la puerta de los aparatos ligeramente entreabierta. Esto ayudará a que las juntas duren más y evitará que se formen olores dentro del aparato.

### Cuidado y mantenimiento

La inspección y el mantenimiento periódicos de su aparato ayudan a evitar que se produzcan problemas. Así ahorrará tiempo y disgustos. Por lo tanto, debe inspeccionar cuidadosamente el interior de su lavavajillas de vez en cuando.

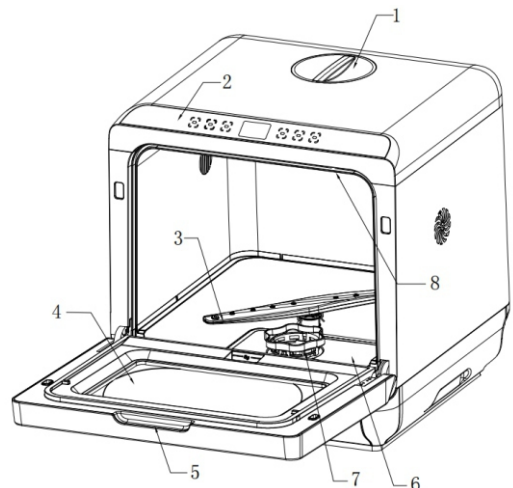
### Estado general del aparato

Compruebe que no se haya acumulado grasa ni cal en el interior del lavavajillas. Si descubre algún depósito: Limpie a fondo el interior del lavavajillas con una solución detergente.

### Filtro

Los filtros 6 y 7 pueden impedir que las partículas más grandes de alimentos presentes en el agua lleguen a la bomba. Estas partículas pueden bloquear ocasionalmente los filtros.

- Cuando el aparato haya finalizado el lavado, compruebe si hay partículas de alimentos en los filtros y, si es necesario, límpielos.
- Después de soltar el microfiltro grueso 7, se puede extraer la unidad de filtro 6. Retire las partículas de comida y enjuague el aparato. Elimine cualquier partícula de comida y enjuague los filtros con agua corriente.
- Introduzca la unidad de filtro 6 y apriete el microfiltro grueso 7.



### Brazo rociador

La cal y los restos de comida en el agua de lavado pueden obstruir los brazos aspersores:

- Inspeccione las boquillas de los en busca de orificios obstruidos debido a restos de comida.
- Si es necesario, tire del brazo inferior hacia arriba y retírelo.
- Limpie los brazos aspersores bajo el grifo.
- Vuelva a colocar los brazos rociadores.

### Localización de averías

Resuelva usted mismo los problemas menores

La experiencia ha demostrado que usted mismo puede resolver la mayoría de los problemas que surgen durante el uso diario normal, sin tener que llamar al servicio técnico. Esto no sólo ahorra costes, sino que también significa que el aparato vuelve a estar disponible para su uso mucho antes. La siguiente lista de incidencias comunes y sus remedios debería ayudarle a identificar las causas de la mayoría de los problemas.

#### Problemas

Al encender el aparato, éste no se pone en marcha:


- Fallo en el fusible de la red eléctrica.
- El enchufe no está insertado en la toma de corriente.
- La puerta del aparato no está bien cerrada.
- No se ha pulsado el botón de programa.
- El grifo de agua no está abierto.
- Colador obstruido en la manguera de entrada de agua.
- El filtro está situado en el aqua stop o en la conexión de la manguera de suministro.

### ! Precaución

**No olvide que las reparaciones sólo deben ser realizadas por un especialista cualificado. Las reparaciones inadecuadas pueden provocar daños considerables en el aparato, así como peligros para el usuario.**

con el propio aparato

Indicación de error en el indicador de tiempo restante

Código de error	Razón posible	Solución
<p><b>E1</b></p>	<p>Ejecutar el programa pero el tanque de agua aún no está lleno de agua</p>	<p>El usuario debe asegurarse de que el tanque de agua esté lleno hasta que el símbolo del grifo de agua en la pantalla se apague, mientras la máquina hace un sonido "di-di-di-di-di".</p> 
	<p>Código de error</p>	<p>El usuario puede llenar el tanque de agua y presionar el botón "Secar" durante 3-5 segundos en modo apagado para activar el proceso de drenaje, que dura 4 minutos. Si la falla persiste, póngase en contacto con nuestro personal de servicio postventa, por favor.</p>
	<p>Otras razones de la falta de agua</p>	<p>Reinicie la máquina, si el problema persiste, por favor contacte a nuestro personal de servicio postventa.</p>
<p><b>E2</b></p>	<p>Anomalía del sensor de temperatura</p>	<p>Reinicie la máquina, si el problema persiste, por favor contacte a nuestro personal de servicio postventa.</p>
<p><b>E4</b></p>	<p>Anomalía de la placa de calentamiento</p>	<p>Reinicie la máquina, si el problema persiste, por favor contacte a nuestro personal de servicio postventa.</p>
<p><b>E5</b></p>	<p>Anomalía del cable de conexión</p>	<p>Reinicie la máquina, si el problema persiste, por favor contacte a nuestro personal de servicio postventa.</p>

El agua permanece en el interior del aparato una vez finalizado el programa

- Obstrucción o tipo en la manguera de desagüe.
- La bomba está atascada.
- Los filtros están obstruidos.

El programa sigue en marcha. Espere a que finalice el programa.

Durante el lavado

Cantidad inusual de espuma

- Se ha vertido abrillantador normal en el lavavajillas.
- Elimine el abrillantador derramado con un paño, ya que de lo contrario podría producirse un exceso de espuma durante el siguiente ciclo de lavado.

El aparato se para repentinamente durante el lavado

- Se ha interrumpido el suministro eléctrico al aparato.
- Se ha interrumpido el suministro de agua.

Se oyen golpes durante el lavado

- Un brazo rociador está golpeando contra la vajilla dentro del aparato.
- Se oye un ruido de traqueteo durante el lavado.
- La vajilla no se ha apilado correctamente dentro del aparato.

Sonido de golpeteo procedente de las válvulas de entrada

- Esto se debe a la forma en que se han colocado las tuberías de agua y no afecta al funcionamiento del aparato. No tiene remedio.
- Elimine con un paño el abrillantador derramado, ya que de lo contrario podría producirse un exceso de espuma durante el siguiente ciclo de lavado.

Con la vajilla, cubiertos, etc.

Hay restos de comida pegados a la vajilla, cubiertos, etc.

- El lavavajillas no se ha cargado correctamente. Los chorros de agua no pudieron llegar a todas las partes de la vajilla, etc.
- Demasiados artículos en la cesta.
- Los artículos de la cesta se tocaban entre sí.
- No se añadió suficiente detergente al lavavajillas.
- El programa de lavado seleccionado no era lo suficientemente intenso.
- La rotación del brazo rociador estaba obstruida por platos, etc.
- Las boquillas del brazo rociador están obstruidas por restos de comida.
- Los filtros están obstruidos.
- Los filtros están mal colocados.
- La bomba de aguas residuales está atascada.

Los artículos de plástico están descoloridos

- No se ha añadido suficiente detergente al lavavajillas.
- El detergente tiene propiedades blanqueadoras insuficientes. Utilice un detergente que contenga un agente blanqueador químico.

Quedan manchas blancas en la vajilla, los vasos tienen un aspecto lechoso

- No se ha añadido suficiente detergente al compartimento dispensador.
- Aunque el agua es bastante dura,
- Si utilizó un detergente sin fosfatos, pruebe con un detergente que contenga fosfatos y compare los resultados.

No se han secado los platos, cubiertos, etc.

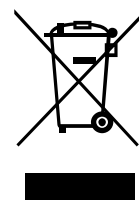
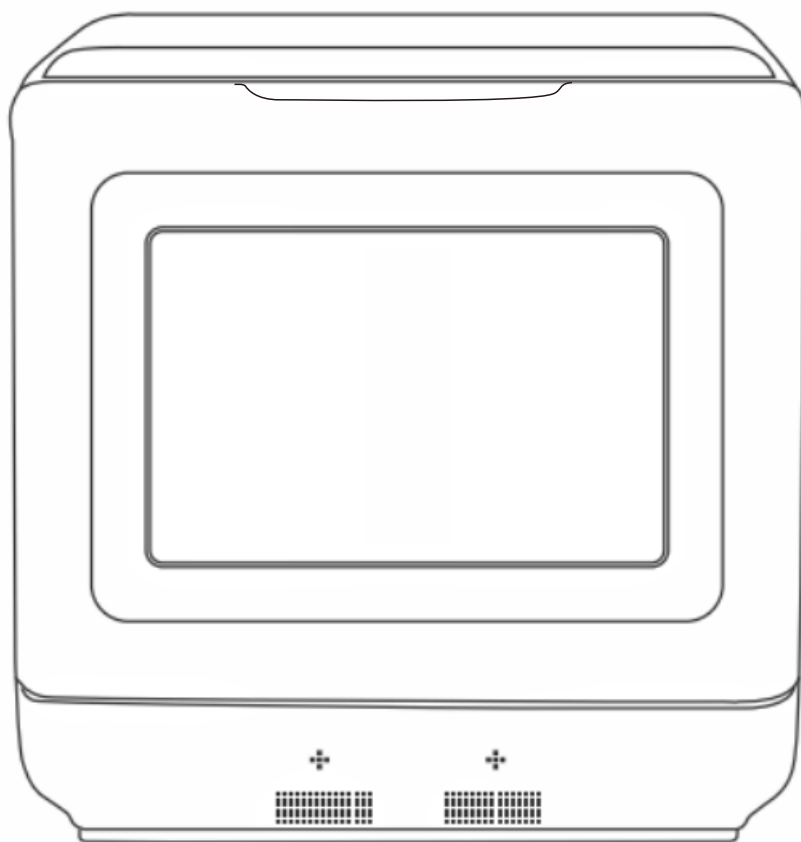
- El programa seleccionado no incluye la función de secado.
- Los artículos se han sacado del lavavajillas demasiado pronto.

No se han eliminado las manchas de té o restos de pintalabios

- El detergente no tiene un efecto blanqueador suficiente.
- La temperatura de lavado se ha ajustado demasiado baja.

Los vasos se enturbian y decoloran; no se puede limpiar el revestimiento

- Se ha utilizado un detergente inadecuado.
- Los vasos no son aptos para el lavavajillas.



**IMPORTANTE, RETER PARA REFERÊNCIA FUTURA: LEIA ATENTAMENTE.**

# MANUAL DE INSTRUÇÕES

## CONTEÚDO

### Conheça a sua máquina

Avisos de segurança-----	51
Estrutura interna e nome das peças -----	52
Painel de controle -----	53
Acessórios-----	53
Características do produto-----	53
Ficha técnica-----	53

### Guia de instalação

Desembalagem-----	54
Colocação do aparelho-----	54
Conexão elétrica-----	55
Modo de adicionar água-----	55

### Guia do usuário

Resumo dos programas-----	56
Como colocar a louça-----	57
Como usar a bandeja-----	57
Como encher o detergente-----	57
Não adequado para máquina de lavar louça-----	58
Nossa recomendação-----	58
Danos em vidros e outras louças-----	58
Remédio sugerido-----	58
Lavar a louça-----	58
Ligando a máquina de lavar louça-----	59
Fim do programa-----	59
Interrupção do programa-----	59
Cancelar ou modificar um ciclo-----	59
Como manter a máquina de lavar louça-----	59
Cuidado e manutenção-----	60
Estado geral do aparelho-----	60
Filtro-----	60
Localização de falhas-----	61

## Conheça a sua máquina

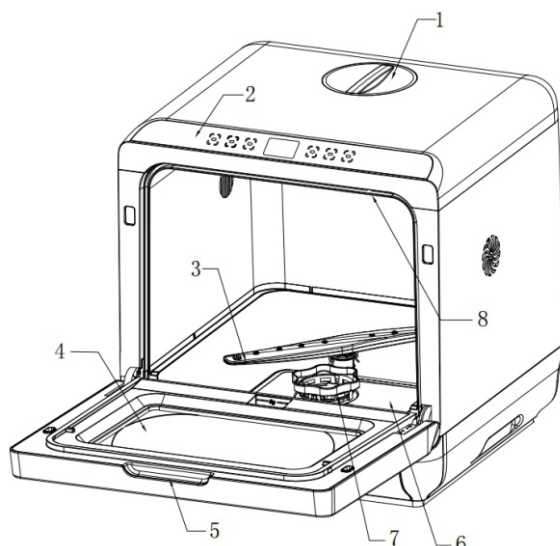
### Avisos de segurança

1. No momento da entrega, verifique imediatamente se a embalagem e a máquina de lavar louça apresentam sinais de danos de transporte. Se o aparelho estiver danificado, não o coloque em funcionamento e entre em contato imediatamente com o seu fornecedor ou com o serviço de atendimento ao cliente. Descarte os materiais de embalagem de forma adequada.
2. Coloque a máquina de lavar louça e conecte-a de acordo com as instruções de instalação.
3. A máquina de lavar louça não deve ser conectada à rede elétrica durante a instalação.
4. Certifique-se de que a instalação elétrica doméstica está corretamente aterrada.
5. A rede elétrica deve estar de acordo com os dados indicados na placa de características da máquina de lavar louça. Não conecte a máquina de lavar louça à rede elétrica através de um cabo extensor.
6. Durante a instalação, o cabo de alimentação não deve ser dobrado nem achatado de forma excessiva ou perigosa. Durante a instalação, a máquina de lavar louça só deve ser utilizada por adultos para a lavagem de louça doméstica.
7. Este aparelho não pode ser instalado no exterior, mesmo que a área onde é instalado esteja coberta por um telhado; além disso, é muito perigoso deixá-lo exposto à chuva e ao tempo.
8. Não coloque objetos pesados nem recipientes com água, influenciará no trabalho da máquina de lavar louça ou causará danos.
9. A água do interior da máquina de lavar louça não é adequada para consumo. Não use solventes de qualquer tipo dentro da máquina de lavar louça. Poderiam causar perigo de explosão.
10. Abra a porta com muito cuidado se a máquina de lavar louça estiver em funcionamento. Existe o risco de sair água. Não toque na resistência durante ou após um ciclo de lavagem.
11. Regras fundamentais a seguir durante o uso do aparelho:
  - Nunca toque na máquina de lavar louça estando descalço ou com as mãos ou os pés molhados.
  - Desaconselhamos o uso de extensores e tomadas múltiplas.
  - Se o eletrodoméstico não funcionar corretamente ou for necessário realizar tarefas de manutenção, desconecte-o da rede elétrica.
12. Se na sua família houver crianças, mantenha os detergentes fora do alcance das crianças, que também devem manter-se afastadas da máquina de lavar louça quando estiver aberta.
13. Em caso de avaria:
  - Em caso de avaria, feche o fornecimento de água ao aparelho e desconecte o plugue da tomada. Em seguida, consulte a seção "Localização de avarias". Se não conseguir resolver o problema, entre em contato com um centro de assistência técnica.
  - Apenas pessoal especializado está autorizado a realizar reparos.
14. Para manter a EFICIÊNCIA e SEGURANÇA deste aparelho, recomendamos:
  - Recorra apenas aos centros de serviço autorizados pelo fabricante.
  - Use sempre peças de reposição originais.
15. Ao descartar aparelhos antigos:
  - Os aparelhos que já não são utilizados devem ser inutilizados cortando o cabo de alimentação e retirando a porta.
  - Leve o aparelho a um centro de eliminação de resíduos designado.
16. Este aparelho pode ser utilizado por crianças com idade igual ou superior a 8 anos e por pessoas com capacidades físicas, sensoriais ou mentais reduzidas ou com falta

de experiência e conhecimento, desde que tenham recebido supervisão ou instruções sobre a utilização segura do aparelho e compreendam os riscos envolvidos.

17. As crianças não devem brincar com o aparelho.
18. A limpeza e a manutenção pelo utilizador não devem ser realizadas por crianças sem supervisão.
19. Se o cabo de alimentação estiver danificado, deve ser substituído pelo fabricante, pelo seu agente de assistência ou por pessoas com qualificações semelhantes, a fim de evitar riscos.
20. Os novos conjuntos de mangueiras fornecidos com o aparelho devem ser utilizados e os conjuntos de mangueiras antigos não devem ser reutilizados.
21. A porta não deve ser deixada na posição aberta, pois isso pode representar um risco de tropeço.
22. **ADVERTÊNCIA:** Facas e outros utensílios com pontas afiadas devem ser colocados no cesto com as pontas para baixo ou na posição horizontal.
23. Este aparelho destina-se a ser utilizado em aplicações domésticas e similares, tais como:
  - cozinhas de lojas, escritórios e outros ambientes de trabalho;
  - casas de campo;
  - por clientes em hotéis, motéis e outros ambientes residenciais;
  - ambientes do tipo bed and breakfast.
24. As aberturas não devem ser obstruídas por um tapete.

### Estrutura interna e nomes das peças

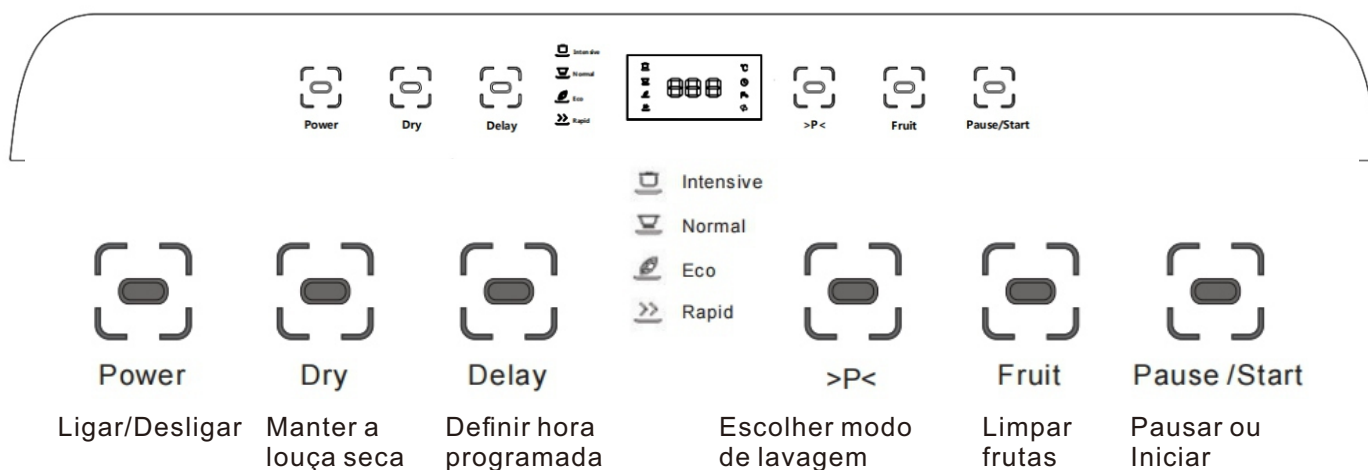


No.	Peças	No.	Peças
1	Tampa do reservatório de água	5	Pega
2	Painel de controlo	6	Grelha do filtro
3	Braço de pulverização	7	Filtro
4	Porta interior de vidro	8	Pulverizador superior

## Escurrelações



## Painel de controlo



## Acessórios

Escorredor	1	Tubo de drenagem	1	Abraçadeira (para drenagem)	1
Talheres	1	Tubo de entrada de água	1	Vaso medidor	1
Cesta de fruta	1	Ventosa	1	Manual de instruções	1

## Características do produto

- Lavagem a alta temperatura
- Máquina de lavar louça de mesa, fácil de instalar
- Lavagem rápida, apenas 29 min.
- Com função de lavagem de frutas (para maçãs, uvas, etc.)

## Ficha técnica

Potência	220-240V~ 50/60Hz
Potência nominal	840W
Consumo de água	4.5L
Medidas (CxLxA)	17.72*17.32*18.03inch/45*44*45.8cm
Peso (N.W.)	13.5 KGS
Método de secagem	Ar quente

## Guia de instalação

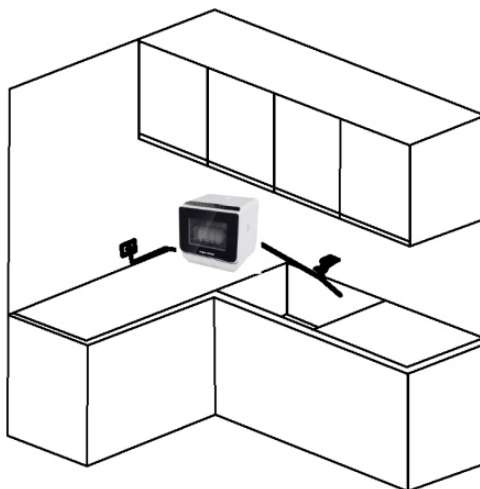
### Desembalagem

- Desembale o cartão externo, almofada de espuma, saco de plástico
- Desembale o escorredor e retire os acessórios
- Recoloque o escorredor

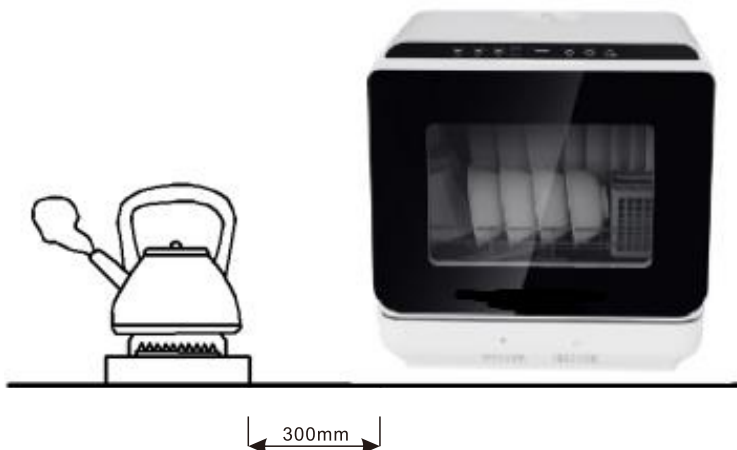
Dica: cada aparelho foi testado antes de sair da fábrica para garantir a sua qualidade. Se houver gotas de água na primeira vez que usar a máquina de lavar louça, certifique-se de usá-la.

### Colocação do aparelho

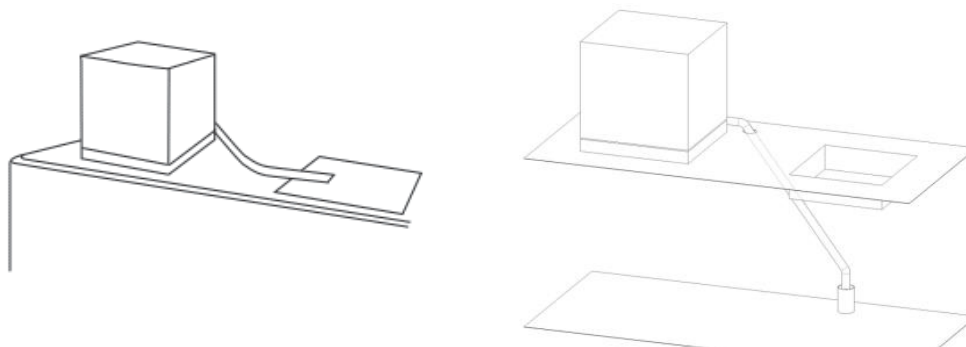
1. Coloque o aparelho no local desejado. Certifique-se de que a altura é superior a 500 mm e deixe uma distância de mais de 50 mm nos quatro lados. A máquina de lavar louça está equipada com mangueiras (de fornecimento de água e) de drenagem que podem ser colocadas à direita ou à esquerda para facilitar uma instalação correta.



1. Mantenha o aparelho longe de fogões a gás ou outros produtores de calor (mais de 300mm)



3. Para facilitar a entrada ou a drenagem, coloque este aparelho sobre o móvel ou a mesa.
4. Não coloque o aparelho em locais baixos:
  - Lugares com luz solar direta
  - Local congelado
  - Local irregular e instável
5. Conexão do tubo de drenagem
  - Conecte o tubo de drenagem à saída e prenda-o com uma braçadeira, e o final do tubo não deve estar submerso em água.
  - Conecte o tubo de entrada de água e o tubo de drenagem à máquina de lavar louça, veja a imagem abaixo:



#### 6. Fixe o tubo de drenagem na pia com ventosa



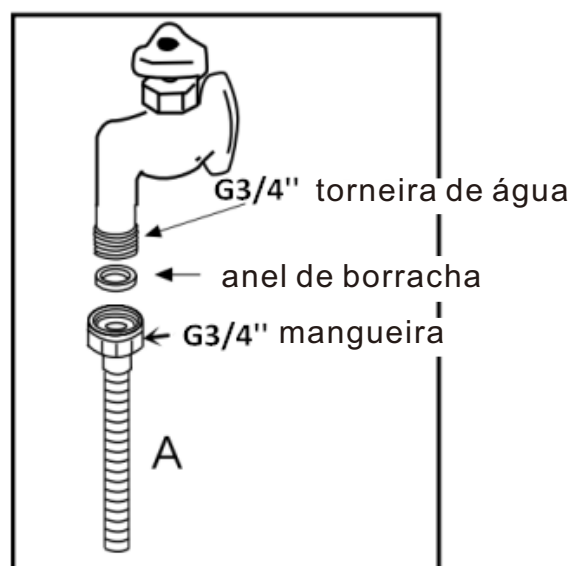
#### 7. Conectar o tubo de entrada de água

- Conecte o tubo de entrada de água à torneira roscada G3/4.
- Certifique-se de que está bem fixada.
- Se a tubulação é nova ou não foi utilizada por muito tempo, deixe a água correr para garantir que a água esteja clara e livre de impurezas. Se esta precaução não for tomada, existe o perigo de que a entrada de água fique obstruída e danifique o equipamento.



8. A pressão da água requerida é de 0,03Mpa~1,0Mpa.

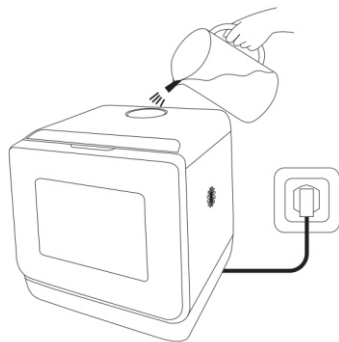
#### Conexão elétrica

Depois de se certificar de que os valores de tensão e frequência da corrente na habitação correspondem aos da placa de características e de que a instalação elétrica é correta para a tensão máxima indicada na placa de características, insira a ficha numa tomada de corrente que esteja corretamente ligada à terra (a ligação à terra do aparelho é um requisito de segurança obrigatório por lei). Se a tomada de corrente à qual o aparelho deve ser ligado não for adequada para a ficha, substitua todo o cabo, em vez de utilizar adaptadores ou similares, pois poderiam provocar sobreaquecimentos e queimaduras.



#### Modo de adição de água

- Adicionar água manualmente
- Abra a tampa do depósito de água e adicione 4,5 litros de água.
- Antes de iniciar, encha com água, o aparelho emitirá um som "di-di-di".
- Depois de iniciar, se faltar água no depósito, o ícone, “” permanece aceso, até que seja preenchido com água, o aparelho emitirá um som “di-di-di” e “” se apagará.



**(AVISO:** O ecrã mostrará o código de erro "E1" se o depósito de água não estiver completamente cheio)

- Adicionar água automaticamente

- Conecte a tubulação de água na máquina de lavar louça, ela adicionará água automaticamente.
- Certifique-se de que a pressão da água está entre 0,03 MPa e 1,0 MPa, se for superior a 1,0 MPa, danificará o aparelho, se for inferior a 0,03 MPa, afetará o funcionamento do aparelho.

## Guia do usuário

### Resumo dos programas

Programa	Tipos de louça	Tipo de restos de comida	Estado dos restos	Pastilha de lavar louça	Tempo de lavagem (min.)
Lavagem intensiva	Louça de porcelana, faca e garfo, colher, pauzinhos, etc.	Sopa, caçarola, molho, arroz, ovo, comida assada ou frita, etc.	Firmemente aderido	10g	99
Lavagem ecológica	Louça de porcelana, faca e garfo, colher, pauzinhos, etc.	Sopa, caçarola, molho, arroz, ovo, comida assada ou frita, etc.	Firmemente aderido	10g	139
Lavagem normal	Louça de porcelana, faca e garfo, colher, pauzinhos, etc.	Sopa, caçarola, molho, arroz, ovo, comida assada ou frita, etc.	Firmemente aderido	10g	79
Lavagem rápida	Louça de porcelana, faca e garfo, colher, pauzinhos, etc.	Café, chá, sopa, sumo	Ligeiramente aderido	8g	29
Lavagem de frutas	Maçãs, uvas, peras, etc.				18
Seco	<p><b>1)Seco+Intensivo/Eco/Normal/Rápido, funcionará 90 minutos a cada 12 horas alternadas, desligará após 163,5 horas.</b></p> <p><b>2)Mantenha pressionada a TECLADE SECAGEM durante 3 a 5 segundos para ativar o processo de secagem durante 90 minutos cada um, alternando 12 horas separadamente, depois desligue após 163,5 horas.</b></p> <p><b>3)Mantenha pressionada a TECLASECO durante 3 ~ 5 segundos no estado desligado, começará a drenar o hidrops dentro do aparelho durante 4 minutos.</b></p>				

Dica: Se deseja obter um bom efeito de secagem, recomendamos que escolha um dos programas de lavagem (Intensivo/Eco/Normal/Rápido) e secagem para o conseguir.

## Colocação da louça, copos, etc. na máquina de lavar louça

Antes de colocar a louça na máquina de lavar louça, retire as partículas de comida maiores para evitar que o filtro fique obstruído, o que reduz o desempenho. Se as panelas e frigideiras tiverem comida muito difícil de remover, recomendamos que as deixe de molho antes de lavá-las. Isto eliminará a necessidade de ciclos de lavagem adicionais. Retire a bandeja para carregar a máquina de lavar louça.



## Como utilizar a bandeja

Recomendamos que coloque os objetos mais difíceis de limpar na grelha: panelas, frigideiras, tampas, pratos de servir e tigelas, como mostrado na figura. É preferível colocar os pratos de servir e as tampas nas laterais das grelhas para evitar bloquear a rotação do braço aspersor. As panelas, travessas, etc. devem ser sempre colocadas de cabeça para baixo.



Os talheres devem ser colocados no cesto para talheres com os cabos na parte inferior; se a prateleira tiver cestos laterais, as colheres devem ser colocadas individualmente nas ranhuras correspondentes. Os utensílios especialmente longos devem ser colocados na horizontal.

## Capacidad de la bandeja:

Prato fundo	2	Copo	2	Colher	4
Prato raso	3	Talheres	4 pares	Molheira	2
Tigela	4	Copo	2	Colher de mesa	1
Taça	3	Concha	1		

**AVISO:** Facas e outros utensílios com pontas afiadas devem ser carregados no cesto com as pontas para baixo ou colocados na horizontal.

### Como encher o detergente

Deve ser utilizado detergente específico para máquinas de lavar louça. Para a máquina de lavar louça de mesa sem doseador, o detergente deve ser colocado diretamente na máquina de lavar louça. E deve ser reabastecido antes do início de cada ciclo de lavagem.

### Não adequado para a máquina de lavar louça

1. O que não deve colocar na máquina de lavar louça, talheres e louças feitos total ou parcialmente de madeira. Desbotam e adquirem um aspecto antiestético. Além disso, os adesivos que são utilizados não são adequados para a temperatura que se produz no interior da máquina de lavar louça. Vidros e jarros decorativos delicados, louças especiais antigas ou insubstituíveis.
2. Os motivos decorativos destes artigos não são adequados para a máquina de lavar louça.
3. Também não são adequados os objetos de plástico que não resistam à água quente, nem os utensílios de cobre e estanho. Os motivos decorativos impressos ou pintados na superfície de louças, copos, etc., os objetos de alumínio e prata tendem a desbotar ou a descolorir se forem lavados na máquina de lavar louça. Alguns tipos de vidro podem adquirir um aspecto opaco depois de terem sido lavados muitas vezes na máquina de lavar louça. Materiais muito absorventes, como esponjas e toalhas, nunca devem ser introduzidos na máquina de lavar louça.

### Nossa recomendação

No futuro, compre apenas louças ou utensílios de cozinha que tenham sido confirmados como adequados para a máquina de lavar louça.



#### Importante

Os pratos ou talheres que tenham sido sujos com cinza de tabaco, cera, graxa lubrificante ou tinta, não devem ser colocados na máquina de lavar.

### Danos na cristaleira e demais louças

Possíveis causas

- Tipo de vidro ou processo de fabricação
- Composição química do detergente
- Temperatura da água e duração do programa da máquina de lavar louça

#### Remédio sugerido

- Use cristaleira ou louça de porcelana que o fabricante tenha marcado como "adequada para máquina de lavar louça".
- Use um detergente suave que seja descrito como "respeitoso com a louça". Se necessário, solicite mais informações aos fabricantes de detergentes.
- Selecione um programa com uma temperatura baixa e uma duração o mais curta possível.
- Para evitar danos, retire o vidro e os talheres da máquina de lavar louça o mais rápido possível após o término do programa.

### Lavagem de louça

#### Seleção do programa

O programa mais adequado pode ser identificado comparando o tipo de louça, talheres, etc., bem como a quantidade e estado dos restos de comida, com os detalhes contidos na tabela de ciclos de lavagem. A sequência do programa correspondente, a duração e os detalhes de consumo são mostrados na metade direita da visão geral.

Por exemplo: Use o programa <intensivo ou ECO> para louças.

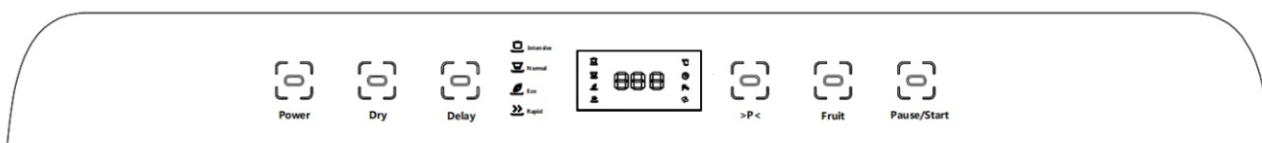
## Dados do programa

Os dados do programa indicados baseiam-se em condições de funcionamento padrão. Os valores podem variar consideravelmente dependendo das diferentes quantidades de louça, temperatura da rede de fornecimento de água, pressão da rede de fornecimento de água, temperatura ambiente, flutuações da tensão da rede, fatores relacionados com a máquina (por exemplo, temperatura, volume de água,...)

Ligar a máquina de lavar louça

Feche a porta, então

- Pressione o botão "Ligar"
- Pressione o programa para escolher o modo de lavagem, o ecrã mostra o tempo restante do programa. Se mudar o programa, pode continuar a pressionar o botão ">P<"
- Pressione o botão "Pausa/Iniciar", o programa inicia automaticamente.



## Fim do programa

Seis bipes indicarão que o ciclo de lavagem terminou e a máquina de lavar louça será desligada. Vários minutos após o término do programa:

- Abra a porta.
- Feche a torneira de água.
- Retire a louça, etc. quando estiver fria.

## Interromper o programa

- Abra a porta. Atenção. Existe o risco de um jato de água sair do interior do aparelho. Não abra a porta completamente até que o braço aspersor tenha parado de girar.
- Abra a porta, pressione primeiro o botão "Pausa/Iniciar"!
- Se o aparelho já aqueceu ou se a água quente já foi ligada e depois a porta do aparelho foi aberta, deixe a porta entreaberta por alguns minutos e depois feche-a. Caso contrário, a porta do aparelho poderia abrir devido à dilatação.

## Cancelamento ou modificação de um ciclo

- Para modificar um ciclo que já está em curso, pressione o botão "Ligar", e todas as configurações serão canceladas. Para estabelecer um novo ciclo, pressione novamente o botão "Ligar" para ligar a máquina de lavar louça, depois pressione ">P<" para selecionar um novo modo de lavagem. Ao modificar o ciclo, se o detergente já foi utilizado e o eletrodoméstico já drenou a água de lavagem, neste caso, o detergente deve ser reabastecido.
- Para cancelar um ciclo em funcionamento, basta pressionar o botão "Ligar".

## Como manter a sua máquina de lavar louça

- Após cada lavagem

Após cada lavagem, feche o fornecimento de água do aparelho e deixe a porta ligeiramente aberta para que a humidade e os odores não fiquem presos no interior.

- Retire a ficha

Antes de limpar ou realizar tarefas de manutenção, desligue sempre a ficha da tomada. Não corra riscos.

- Não utilizar solventes nem produtos de limpeza abrasivos

Para limpar o exterior e as peças de borracha da máquina de lavar louça, não utilize solventes nem produtos de limpeza abrasivos. Em vez disso, use apenas um pano e água morna com sabão.

Para remover manchas da superfície interior, use um pano humedecido com água e um pouco de vinagre ou um produto de limpeza específico para máquinas de lavar louça.

- Transporte do aparelho

Se for necessário mover o aparelho, tente mantê-lo na posição vertical. Se for absolutamente necessário, pode ser colocado de cabeça para baixo.

- Juntas

Um dos fatores que provocam a formação de odores na máquina de lavar louça são os alimentos que ficam presos nas juntas. A limpeza periódica com uma esponja húmida evitará que isso aconteça.

A porta não deve ser deixada aberta, pois pode representar um perigo de tropeço.

- Quando for de férias

Quando for de férias, recomenda-se que faça um ciclo de lavagem com a máquina de lavar louça vazia e, em seguida, desligue a ficha da tomada, feche o fornecimento de água e deixe a porta dos aparelhos ligeiramente aberta. Isto ajudará a prolongar a vida útil das juntas e evitará a formação de odores dentro do aparelho.

### Cuidado e manutenção

A inspeção e a manutenção periódicas do seu aparelho ajudam a prevenir problemas. Assim, poupará tempo e aborrecimentos. Portanto, deve inspecionar cuidadosamente o interior da sua máquina de lavar louça de vez em quando.

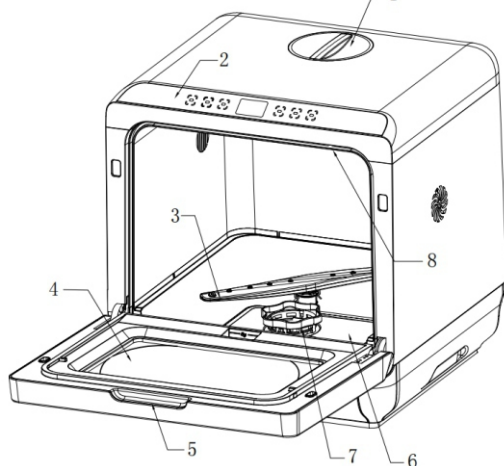
### Estado geral do aparelho

Verifique se não se acumulou gordura nem calcário no interior da máquina de lavar louça. Se descobrir algum depósito: Limpe cuidadosamente o interior da máquina de lavar louça com uma solução detergente.

### Filtro

Os filtros 6 e 7 podem impedir que as partículas maiores de alimentos presentes na água cheguem à bomba. Estas partículas podem ocasionalmente bloquear os filtros.

- Quando o aparelho tiver terminado a lavagem, verifique se há partículas de alimentos nos filtros e, se necessário, limpe-os.
- Depois de soltar o microfiltro grosso 7, pode-se extrair a unidade de filtro 6. Retire as partículas de comida e enxague o aparelho. Elimine qualquer partícula de comida e enxague os filtros com água corrente.
- Introduza a unidade de filtro 6 e aperte o microfiltro grosso 7.



### **Braço aspersor**

A cal e os restos de comida na água de lavagem podem obstruir os braços aspersores:

- Inspeccione os bicos à procura de orifícios obstruídos devido a restos de comida.
- Se necessário, puxe o braço inferior para cima e retire-o.
- Limpe os braços aspersores sob a torneira.
- Recoloque os braços aspersores.

### **Localização de avarias**

Resolva você mesmo os problemas menores

A experiência tem mostrado que você mesmo pode resolver a maioria dos problemas que surgem durante o uso normal diário, sem ter que chamar o serviço técnico. Isto não só poupa custos, como também significa que o aparelho volta a estar disponível para uso muito mais cedo. A seguinte lista de incidentes comuns e seus remédios deve ajudá-lo a identificar as causas da maioria dos problemas.

### **Problemas**

Ao ligar o aparelho, este não arranca:


- Falha no fusível da rede elétrica.
- A ficha não está inserida na tomada.
- A porta do aparelho não está bem fechada.
- O botão do programa não foi pressionado.
- A torneira de água não está aberta.
- Coador obstruído na mangueira de entrada de água.
- O filtro está localizado no aqua stop ou na ligação da mangueira de fornecimento.

### **! Precaução**

**Não se esqueça de que as reparações só devem ser realizadas por um especialista qualificado. As reparações inadequadas podem causar danos consideráveis no aparelho, bem como perigos para o utilizador.**

com o próprio aparelho

Indicação de erro no indicador de tempo restante

Código de erro	Motivo possível	Solução
E1	Executar o programa mas o tanque de água ainda não está cheio de água	<p>O usuário precisa certificar-se de que o tanque de água esteja cheio até que o símbolo da torneira na tela seja desligado, enquanto a máquina faz um som "di-di-di-di-di".</p> 
	Código de erro	<p>O usuário pode encher o tanque de água e então pressionar longamente o botão "Secar" durante 3-5 segundos no modo desligado para ativar o processo de drenagem, que dura 4 minutos. Se o problema persistir, entre em contato com o nosso serviço de pós-venda.</p>
	Outras razões para a falta de água	<p>Reinicie a máquina, se o problema persistir, entre em contato com nosso pessoal de serviço pós-venda.</p>
E2	Anomalia do sensor de temperatura	<p>Reinicie a máquina, se o problema persistir, entre em contato com nosso pessoal de serviço pós-venda.</p>
E4	Anomalia da placa de aquecimento	<p>Reinicie a máquina, se o problema persistir, entre em contato com nosso pessoal de serviço pós-venda.</p>
E5	Anomalia do fio de conexão	<p>Reinicie a máquina, se o problema persistir, entre em contato com nosso pessoal de serviço pós-venda.</p>

A água permanece no interior do aparelho após o término do programa

- Obstrução ou tipo na mangueira de drenagem.
- A bomba está presa.
- Os filtros estão obstruídos.

O programa continua em andamento. Aguarde até que termine o programa.

Durante a lavagem

Quantidade incomum de espuma

- Foi derramado abrillantador normal na máquina de lavar louça.
- Remova o abrillantador derramado com um pano, caso contrário, poderá ocorrer excesso de espuma durante o próximo ciclo de lavagem.

O aparelho para repentinamente durante a lavagem

- O fornecimento de eletricidade ao aparelho foi interrompido.
- O fornecimento de água foi interrompido.

Ouve-se batidas durante a lavagem

- Um braço aspersor está batendo na louça dentro do aparelho.
- Ouve-se um ruído de chocalho durante a lavagem.
- A louça não foi empilhada corretamente dentro do aparelho.

Som de batida proveniente das válvulas de entrada

- Isto é devido à forma como as tubulações de água foram colocadas e não afeta o funcionamento do aparelho. Não tem solução.
- Remova com um pano o abrillantador derramado, caso contrário, poderá ocorrer excesso de espuma durante o próximo ciclo de lavagem.

Com a louça, talheres, etc.

Há restos de comida presos à louça, talheres, etc.

- A máquina de lavar louça não foi carregada corretamente. Os jatos de água não conseguiram atingir todas as partes da louça, etc.
- Muitos itens na cesta.
- Os itens na cesta estavam se tocando.
- Não foi adicionado detergente suficiente à máquina de lavar louça.
- O programa de lavagem selecionado não era intenso o suficiente.
- A rotação do braço aspersor estava obstruída por pratos, etc.
- Os bicos do braço aspersor estão obstruídos por restos de comida.
- Os filtros estão obstruídos.
- Os filtros estão mal colocados.
- A bomba de águas residuais está presa.

Os artigos de plástico estão descoloridos

- Não foi adicionado detergente suficiente à máquina de lavar louça.
- O detergente tem propriedades branqueadoras insuficientes. Use um detergente que contenha um agente branqueador químico.

Ficam manchas brancas na louça, os copos têm um aspeto leitoso

- Não foi adicionado detergente suficiente ao compartimento dispensador.
- Embora a água seja bastante dura,
- Se usou um detergente sem fosfatos, experimente um detergente que contenha fosfatos e compare os resultados.

Não foram secos os pratos, talheres, etc.

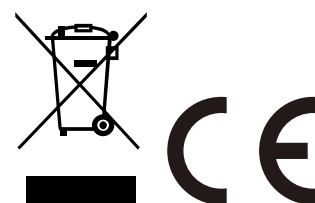
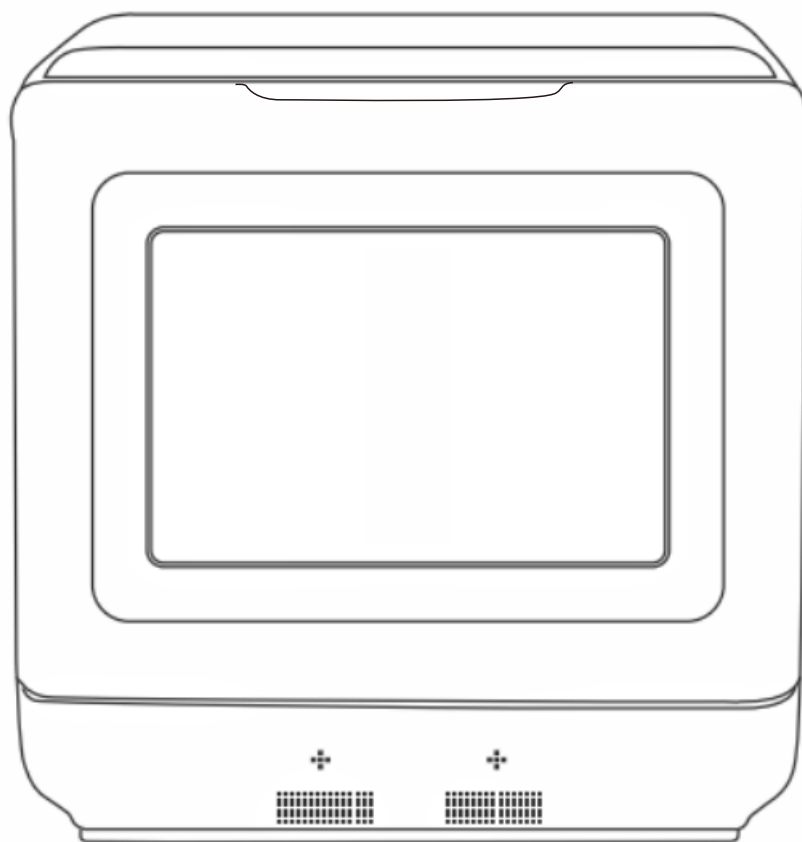
- O programa selecionado não inclui a função de secagem.
- Os artigos foram retirados da máquina de lavar louça demasiado cedo.

Não foram eliminadas as manchas de chá ou restos de batom

- O detergente não tem um efeito branqueador suficiente.
- A temperatura de lavagem foi ajustada demasiado baixa.

Os copos ficam turvos e descoloridos; não é possível limpar o revestimento

- Foi utilizado um detergente inadequado.
- Os copos não são adequados para a máquina de lavar louça.



**WICHTIG! SORGFÄLTIG LESEN UND FÜR SPÄTER NACHSCHLAGEN  
AUFBEWAHREN.**

# GEBRAUCHSANWEISUNG

## INHALT

**Lernen Sie Ihren Geschirrspüler kennen**

Sicherheitsmaßnahmen .....	67
Innerer Aufbau und Teilebezeichnung .....	68
Bedienpanel .....	69
Zubehörliste .....	69
Produktmerkmale .....	69
Technische daten .....	69

**Einbauanleitung**

Auspacken .....	70
Aufstellen des Geräts .....	70
Elektroanschluss .....	71
Wasserzugabe-Modus .....	72

**Benutzeranleitung**

Programmüberblick .....	72
Wie man das Geschirr platziert .....	73
Verwendung der Ablage .....	73
Wie wird das Waschmittel gefüllt?.....	74
Nicht für den Geschirrspüler geeignet .....	74
Unsere Empfehlung .....	74
Beschädigung von Glaswaren und anderem Geschirr .....	74
Empfohlene Abhilfe .....	74
Geschirr spülen .....	74
Einschalten des Geschirrspülers .....	75
Ende des Programms .....	75
Unterbrechen des Programms .....	75
Abbrechen oder Ändern eines Zyklus .....	75
Wie Sie Ihren Geschirrspüler in Form halten .....	75
Pflege und Wartung .....	76
Gesamtzustand des Geräts .....	76
Filter .....	76
Fehlerbehebung .....	77

## Lernen Sie Ihren Geschirrspüler kennen

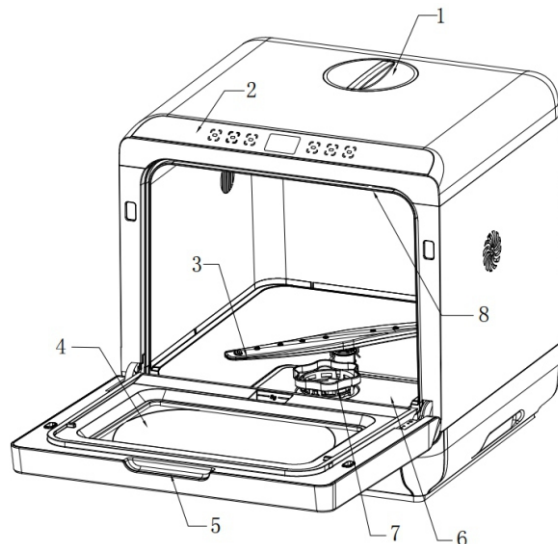
### Sicherheitsmaßnahmen

1. Überprüfen Sie bei der Anlieferung sofort die Verpackung und den Geschirrspüler auf Anzeichen von Transportschäden. Falls das Gerät beschädigt ist, nehmen Sie es nicht in Betrieb, sondern wenden Sie sich unverzüglich an Ihren Lieferanten oder den Kundendienst. Bitte entsorgen Sie das Verpackungsmaterial ordnungsgemäß.
2. Stellen Sie den Geschirrspüler auf und schließen Sie ihn gemäß der Installationsanleitung an.
3. Der Geschirrspüler darf während der Installation nicht an das Stromnetz angeschlossen werden.
4. Stellen Sie sicher, dass die Heimverkabelung ordnungsgemäß geerdet ist.
5. Die Stromversorgung muss mit den Angaben auf dem Typenschild des Geschirrspülers übereinstimmen. Schließen Sie den Geschirrspüler nicht über ein Verlängerungskabel an das Stromnetz an.
6. Bei der Installation darf das Netzkabel nicht übermäßig oder in gefährlicher Weise geknickt oder gequetscht werden. Während der Installation darf der Geschirrspüler nur von Erwachsenen für das Spülen von Haushaltsgeschirr verwendet werden.
7. Dieses Gerät darf nicht im Freien aufgestellt werden, auch nicht, wenn der Aufstellungsort überdacht ist; es ist auch sehr gefährlich, das Gerät Regen und Witterungseinflüssen auszusetzen.
8. Stellen Sie keine schweren Gegenstände oder Wasserbehälter ab, da dies die Funktion des Geschirrspülers beeinträchtigen oder Schäden verursachen kann.
9. Das Wasser im Geschirrspüler ist nicht zum Trinken geeignet. Verwenden Sie in Ihrem Geschirrspüler keine Lösungsmittel jeglicher Art. Sie könnten eine Explosionsgefahr darstellen.
10. Öffnen Sie die Tür sehr vorsichtig, wenn sich der Geschirrspüler in Betrieb befindet. Es besteht die Gefahr, dass Wasser herausspritzt. Berühren Sie das Heizelement nicht während oder nach einem Waschgang.
11. Grundlegende Regeln für die Geräteverwendung:
  - Berühren Sie den Geschirrspüler niemals barfuß oder mit nassen Händen oder Füßen;
  - Wir raten von der Verwendung von Verlängerungskabeln und Mehrfachsteckdosen ab;
  - Wenn das Gerät nicht ordnungsgemäß funktioniert oder Wartungsarbeiten durchgeführt werden müssen, trennen Sie das Gerät von der Stromzufuhr.
12. Falls Kinder zu Ihrer Familie gehören, bewahren Sie die Reinigungsmittel außerhalb der Reichweite von Kindern auf, die auch vom offenen Geschirrspüler ferngehalten werden müssen.
13. Wenn ein Fehler auftritt
  - Falls das Gerät eine Fehlfunktion aufweist, trennen Sie das Gerät von der Wasserversorgung und trennen Sie den Stecker von der Steckdose. Lesen Sie dann den Abschnitt „Fehlersuche“. Falls Sie das Problem nicht lösen können, wenden Sie sich an ein Kundendienstzentrum.
  - Reparaturen dürfen nur von Fachpersonal durchgeführt werden.
14. Um die WIRKSAMKEIT und SICHERHEIT dieses Geräts zu erhalten, empfehlen wir:
  - Wenden Sie sich nur an die vom Hersteller autorisierten Servicestellen.
  - Verwenden Sie immer Original-Ersatzteile.
15. Bei der Entsorgung von Altgeräten
  - Geräte, die nicht mehr benutzt werden, müssen durch Abschneiden des Stromkabels und Entfernen der Tür außer Betrieb gesetzt werden.
  - Bringen Sie das Gerät zu einer ausgewiesenen Abfallentsorgungsstelle.
16. Dieses Gerät kann von Kindern ab 8 Jahren und darüber sowie von Personen mit verringerten physischen, sensorischen oder mentalen Fähigkeiten oder Mangel an

Erfahrung und Wissen benutzt werden, wenn sie beaufsichtigt oder bezüglich des sicheren Gebrauchs des Gerätes unterwiesen wurden und die daraus resultierenden Gefahren verstehen.

17. Kinder dürfen nicht mit dem Gerät spielen.
18. Reinigung und Benutzer-Wartung dürfen nicht von Kindern ohne Beaufsichtigung durchgeführt werden.
19. Wenn die Netzanschlussleitung dieses Gerätes beschädigt wird, muss sie durch den Hersteller oder seinen Kundendienst oder eine ähnlich qualifizierte Person ersetzt werden, um Gefährdungen zu vermeiden.
20. Der neue Schlauchsatz, der mit dem Gerät geliefert wird, muss benutzt werden und alte Schlauchsätze dürfen nicht wiederverwendet werden.
21. Die Tür sollte nicht in der geöffneten Stellung belassen werden, da dies eine Stolpergefahr darstellen könnte.
22. **WARNUNG:** Messer und andere Gebrauchsgegenstände mit scharfen Spitzen müssen mit der Spitze nach unten oder in waagrechter Lage in den Korb gelegt werden.
23. Dieses Gerät ist bestimmt für den Hausgebrauch und ähnliche Zwecke, wie zum Beispiel:
  - im Küchenbereich für die Mitarbeiter in Geschäften, Büros und anderem Arbeitsumfeld;
  - in landwirtschaftlichen Betrieben;
  - von Kunden in Hotels, Motels und weiteren typischen Wohnumgebungen;
  - in Frühstückspensionen.
24. Die Öffnungen dürfen nicht durch Teppichboden verstopft werden.

### Innerer Aufbau und Teilebezeichnung

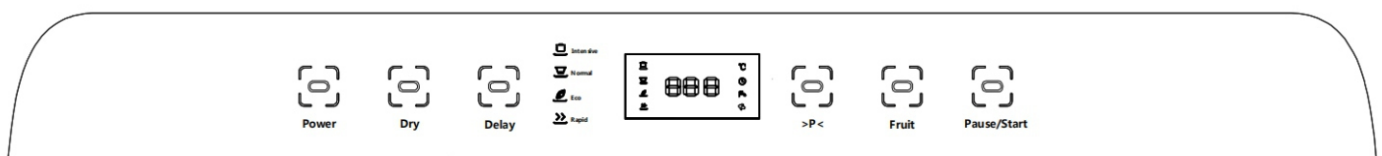


Nein.	Teile	Nein.	Teile
1	Abdeckung des Wassertanks	5	Handgriff
2	Bedienpanel	6	Filtersieb
3	Sprüharm	7	Filter
4	Innere Glastür	8	Obere Sprühvorrichtung

## Geschirrständer



## Bedienpanel



Power

EIN-/AUS-  
Schalter



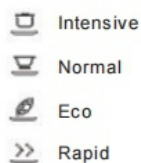
Dry

Geschirr  
trockenhalten



Delay

Einstellen der  
Waschdauer



Intensive  
Normal  
Eco  
Rapid

Waschmodus  
auswählen



&gt;P&lt;



Fruit

Obst  
reinigen



Pause /Start

Pausieren  
oder Starten

## Zubehörliste

Geschirrständer	1	Abflussrohr	1	Rohrschelle (für das Abflussrohr)	1
Esstäbchen-Box	1	Wasserzulaufrohr	1	Messbecher	1
Obstkorb	1	Saugnapf	1	Betriebshandbuch	1

## Produktmerkmale

- Hochtemperatur-Spülung
- Tischgeschirrspüler, einfach zu installieren
- Schnelle Reinigung, nur 29 Minuten
- Mit Obstwaschfunktion (für Äpfel, Trauben, etc.)

## Technische daten

Stromversorgung	220-240V~ 50Hz
Nennleistung	840W
Wasserverbrauch	4,5L
Abmessungen (B* T* H)	17,72* 17,32* 18,03 Zoll/45*44*45,8 cm
Gewicht (Netto)	13,5 KGS
Trocknungsmethode	Heißlufttrocknung

## Einbauanleitung

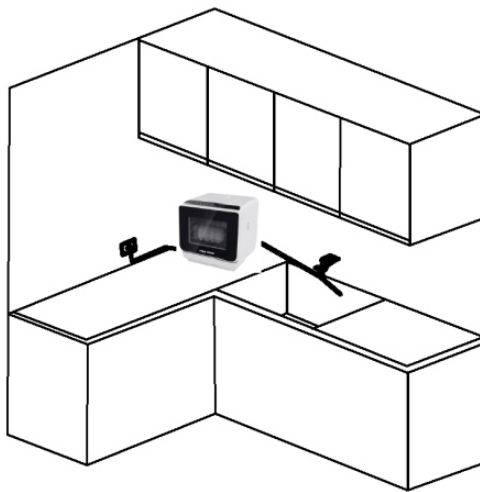
### Auspacken

- Entpacken Sie den Außenkarton, sowie das Schaumstoffpolster und den Plastikbeutel
- Packen Sie die Verpackung des Geschirrständers aus und entnehmen Sie das Zubehör
- Geschirrständer wieder richtig anbringen

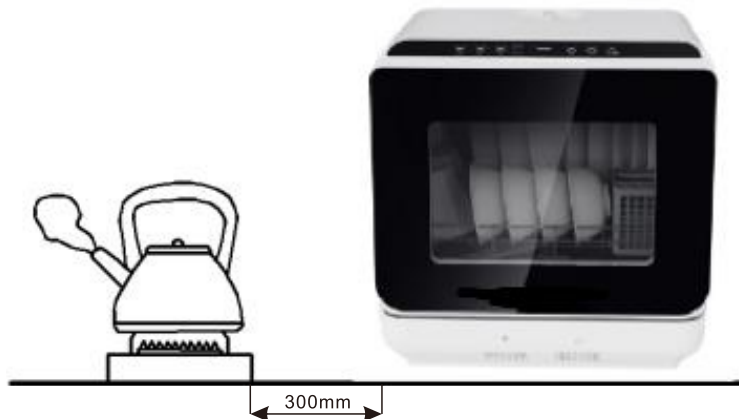
**Tipps:** Jedes Gerät wurde vor Verlassen des Werks getestet, um die Qualität zu gewährleisten. Falls bei der Inbetriebnahme des Geschirrspülers Wassertropfen auftreten, stellen Sie bitte sicher, dass Sie ihn ordnungsgemäß benutzen.

### Aufstellen des Geräts

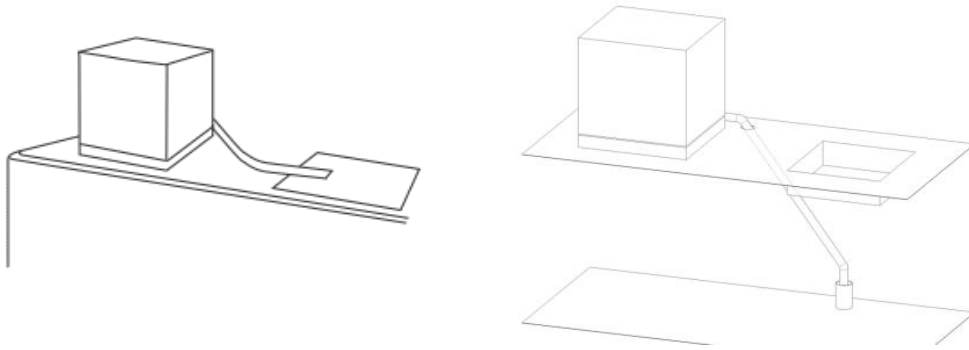
1. Aufstellen des Geräts an der gewünschten Stelle. Stellen Sie sicher, dass die Höhe mehr als 500 mm beträgt, bewahren Sie einen Abstand von über 50 mm an allen vier Seiten. Der Geschirrspüler ist mit (Wasserzulauf- und) Ablaufschläuchen ausgestattet, die zur Erleichterung einer ordnungsgemäßen Installation nach rechts oder links verlegt werden können.



2. Halten Sie das Gerät von Gasherden oder anderen Wärmeerzeugern fern (über 300 mm)



3. Stellen Sie das Gerät auf den Schrank oder Tisch, um den Einlass oder den Abfluss zu erleichtern.
4. Stellen Sie das Gerät nicht an einer tiefgelegenen Stelle auf:
  - Die Stelle mit direktem Sonnenlicht
  - Unterkühlte Stelle
  - Unebene und instabile Stelle
5. Anschluss an das Abflussrohr
  - Schließen Sie das Abflussrohr an den Auslass und die Schelle an, wobei das Endrohr nicht in Wasser getaucht werden darf.
  - Schließen Sie den Wasserzulauf und das Abflussrohr an den Geschirrspüler an, siehe Abbildung unten:



6. Befestigen Sie das Abflussrohr mit einem Saugnapf an der Spüle



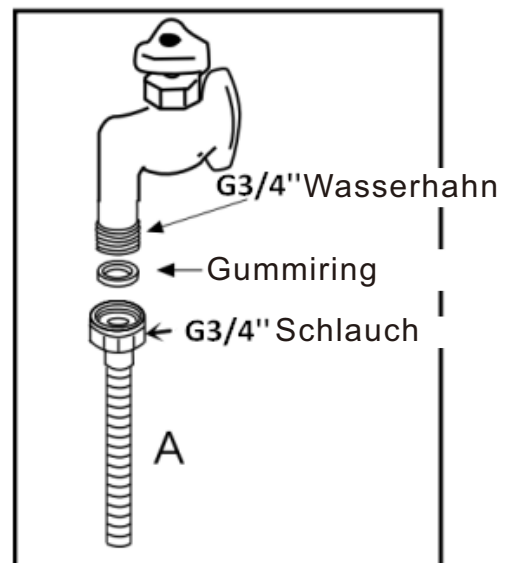
7. Schließen Sie die Wasserzulaufleitung an

- Schließen Sie die Wasserzulaufleitung an den G3/4-Gewindehahn an
- Stellen Sie sicher, dass es ordnungsgemäss befestigt ist.
- Falls das Rohr neu ist oder lange Zeit nicht benutzt wurde, lassen Sie Wasser laufen, um sicherzustellen, dass das Wasser klar und frei von Verunreinigungen ist. Wenn diese Vorsichtsmaßnahme nicht getroffen wird, besteht die Gefahr, dass der Wasserzulauf verstopft und das Gerät beschädigt wird.



8. Der gewünschte Wasserdruck beträgt 0,03 Mpa~ 1,0 Mpa .

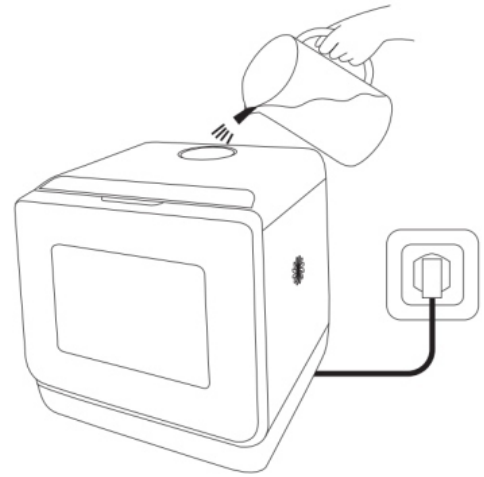
### Elektroanschluss

Nachdem Sie sich vergewissert haben, dass die häuslichen Spannungs- und Frequenzwerte des Stroms mit denen auf dem Typenschild übereinstimmen und dass sich die elektrische Anlage für die auf dem Typenschild angegebene Höchstspannung eignet, führen Sie den Stecker in eine Steckdose ein, die ordnungsgemäss geerdet ist (die Erdung des Geräts ist eine gesetzlich vorgeschriebene Sicherheitsanforderung). Wenn die Steckdose, an die das Gerät angeschlossen werden soll, nicht für den Stecker geeignet ist, ersetzen Sie das gesamte Kabel, anstatt Adapter oder ähnliches zu verwenden, da dies Überhitzung und Verbrennungen verursachen kann.



**Wasserzugabe-Modus**

- Hinzufügen von Wasser von Hand
- Öffnen Sie den Deckel des Wassertanks und fügen Sie 4,5 Liter Wasser hinzu.
- Füllen Sie das Gerät vor der Inbetriebnahme mit Wasser auf, das Gerät macht ein „di-di-di“-Geräusch.
- Wenn nach der Inbetriebnahme der Wassertank zu wenig Wasser enthält, leuchtet das Symbol „“ so lange, bis das Gerät mit Wasser gefüllt ist, ein „di-di-di“-Geräusch ertönt und das „“ Symbol schaltet sich aus.



**(ACHTUNG:** Auf der Anzeige erscheint der Fehlercode „E1“, wenn der Wassertank nicht vollständig gefüllt ist.)

● **Automatische Wasserzufuhr**

- Schließen Sie die Wasserleitung an den Geschirrspüler an, das Wasser wird automatisch eingefüllt.
- Verwenden Sie einen Wasserdruck zwischen 0,03 MPa und 1,0 MPa, bei mehr als 1,0 MPa wird das Gerät beschädigt, bei weniger als 0,03 MPa können Fehlfunktionen des Geräts auftreten.

**Benutzeranleitung**

**Programmüberblick**

Programm	Arten von Tafelgeschirr	Art der Speisereste	Zustand der Speisereste	Geschirrspültablette	Waschdauer (in Minuten)
Intensives Spülen	Porzellangeschirr, Messer und Gabel, Löffel, Stäbchen, usw.	Suppe, Kasserole, Soße, Reis, Ei, Braten oder gebratenes Essen, etc.	Auf hart gestellt	10 g	99
ECO-Spülung	Porzellangeschirr, Messer und Gabel, Löffel, Stäbchen, usw.	Suppe, Kasserole, Soße, Reis, Ei, Braten oder gebratenes Essen, etc.	Auf hart gestellt	10 g	139
Normale Spülung	Porzellangeschirr, Messer und Gabel, Löffel, Stäbchen, usw.	Suppe, Kasserole, Soße, Reis, Ei, Braten oder gebratenes Essen, etc.	Auf hart gestellt	10 g	79
Schnelle Spülung	Porzellangeschirr, Messer und Gabel, Löffel, Stäbchen, usw.	Kaffee, Tee, Suppe, Saft	Lose befestigt	8 g	29
Obstwäsche	Apfel, Traube, Birne, usw.	/	/	/	18
Trocknen	1) Trocken+Intensiv/ Öko/Normal/Schnell. Es wird jeweils 90 Minuten lang alternativ alle 12 Std. funktionieren und wird nach 163,5 Stunden ausgeschaltet.				
	2) Drücken Sie die TROCKNER-TASTE 3~5 s lang, um den Trocknungsvorgang zu starten, jeweils 90 Minuten lang, abwechselnd alle 12 Std. und schalten Sie es dann nach 163,5 Stunden aus.				
	3) Drücken Sie die TROCKNER-TASTE 3~5 s lang im ausgeschaltetem Modus, Es wird beginnen, die Flüssigkeit im Gerät 4 Minuten lang abzulassen.				

**Tipps:** Wenn Sie einen guten Trocknungseffekt erzielen wollen, empfehlen wir Ihnen, ein beliebiges Waschprogramm (Intensiv/Eco/Normal/Schnell) zu wählen und zu trocknen.

## Das Ordnen von Geschirr, Gläsern, usw., im Geschirrspüler

Bevor Sie das Geschirr in den Geschirrspüler stellen, sollten Sie größere Speisereste entfernen, um zu verhindern, dass der Filter verstopft wird, was die Leistung vermindert. Falls die Töpfe und Pfannen verbrannte Lebensmittel enthalten, die sich nur schwer entfernen lassen, empfehlen wir, sie vor dem Spülen einzuweichen. Dadurch werden zusätzliche Spülgänge überflüssig. Ziehen Sie das Gestell heraus, um den Geschirrspüler zu füllen.



### Verwendung der Ablage

Wir empfehlen Ihnen, die am schwierigsten zu reinigenden Gegenstände auf das Gestell zu stellen: Töpfe, Pfannen, Deckel, Servierplatten und Schüsseln, wie in der Abbildung dargestellt. Serviergeschirr und Deckel sollten vorzugsweise an den Regalseiten positioniert werden, um die Drehung des Sprühdarms nicht zu behindern. Töpfe, Servierschalen, usw., müssen stets mit der Oberfläche nach unten positioniert werden.



Das Besteck sollte mit den Griffen nach unten in den Besteckkorb gelegt werden; wenn das Regal Seitenkörbe enthält, sollten die Löffel einzeln in die entsprechenden Schlitze gelegt werden. Besonders langförmige Objekte sollten horizontal positioniert werden.

### Regalkapazität:

Tiefer Teller	2	Becher	2	Löffel	4
Flacher Teller	3	Essstäbchen	4 Paare	Saucenschüssel	2
Reisschüssel	4	Glas	2	Tafellöffel	1
Nudelschale	3	Reisschöpfer	1		

**ACHTUNG:** Messer und andere Gegenstände mit scharfen Spitzen müssen mit der Spitze nach unten oder horizontal in den Korb gelegt werden.

### Wie wird das Waschmittel gefüllt?

Es muss ein speziell für Geschirrspüler geeignetes Reinigungsmittel verwendet werden. Bei einem Geschirrspüler ohne Spender muss das Reinigungsmittel direkt in den Geschirrspüler geschüttet werden. Es muss vor dem Beginn jedes Waschgangs nachgefüllt werden.

### Nicht für die Spülmaschine geeignet

1. Was Sie nicht in den Geschirrspüler stellen sollten: Besteck und Geschirr, das ganz oder teilweise aus Holz hergestellt ist. Sie verblässen und werden unansehnlich. Außerdem sind die verwendeten Klebstoffe nicht für die in der Spülmaschine herrschenden Temperaturen geeignet. Zerbrechliche dekorative Glaswaren und Vasen, besonderes antikes oder unersetzliches Porzellan.
2. Die dekorativen Muster auf solchen Gegenständen sind nicht spülmaschinenfest.
3. Kunststoffgegenstände, die nicht heißwasserbeständig sind, sowie Kupfer- und Zinnutensilien sind ebenfalls nicht geeignet. Auf die Oberfläche von Geschirr, Gläsern, usw., aufgedruckte oder gemalte dekorative Muster, sowie Aluminium- und Silbergegenstände neigen dazu, sich zu verfärben oder zu verblässen, wenn sie in der Spülmaschine gereinigt werden. Einige Glasarten können nach mehrmaligem Waschen in der Spülmaschine undurchsichtig werden. Stark saugfähige Materialien wie z. B., Schwämme und Handtücher sollten niemals in die Spülmaschine platziert werden.

### Unsere Empfehlung

Kaufen Sie zukünftig nur noch Geschirr, das nachweislich spülmaschinenfest ist.



#### Wichtig

Geschirr oder Besteck, das mit Tabakasche, Wachs, Schmierfett oder Farbe verschmutzt ist, darf nicht in den Geschirrspüler platziert werden.

### Beschädigung von Glaswaren und anderem Geschirr

#### Mögliche Ursachen

- Glasart oder Herstellungsverfahren
- Chemische Zusammensetzung des Waschmittels
- Wassertemperatur und Dauer des Geschirrspülerprogramms .

#### Empfohlene Abhilfe

- Verwenden Sie Glas- oder Porzellangeschirr, das vom Hersteller als „spülmaschinenfest“ gekennzeichnet wurde.
- Verwenden Sie ein mildes Reinigungsmittel, das als „geschirrschonend“ beschrieben wird. Erforderlichenfalls sind weitere Informationen bei den Herstellern von Reinigungsmitteln einzuholen.
- Wählen Sie ein Programm mit einer niedrigen Temperatur und einer möglichst kurzen Dauer.
- Um Schäden zu vermeiden, entfernen Sie Glas und Besteck so schnell wie möglich nach dem Programmende aus dem Geschirrspüler.

### Geschirr spülen

#### Programmauswahl

Das am besten geeignete Programm kann anhand eines Vergleichs des Geschirr-, Bestecktyps, usw., sowie der Menge und Beschaffenheit von Speiseresten mit den Angaben in der Spülzyklustabelle bestimmt werden. Der entsprechende Programmablauf, die Dauer und die Verbrauchsdaten werden in der rechten Hälfte der Übersicht angezeigt. Zum Beispiel: Verwenden Sie das Programm <Intensiv oder ÖKO> für Geschirr und Gegenstände, an denen viele Speisereste haften.

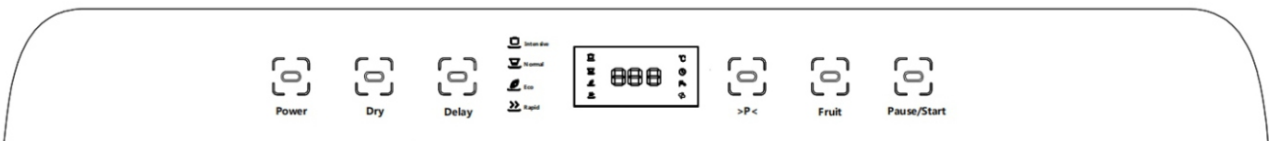
## Programmdaten

Die angegebenen Programmdaten basieren auf Standardbetriebsbedingungen. Die Werte können erheblich variieren, je nach den unterschiedlichen Mengen an Geschirr, der Temperatur der Wasserversorgung, dem Druck der Wasserversorgung, die Umgebungstemperatur, den Schwankungen der Netzspannung, sowie gerätebedingte Faktoren (z. B. Temperatur, Wassermenge, ...)

## Einschalten des Geschirrspülers

### Schließen Sie die Tür, anschließend

- Drücken Sie die „Ein/Aus“-Taste
- Drücken Sie die Programmtaste, um den Waschmodus zu wählen; auf dem Bildschirm wird die verbleibende Programmdauer angezeigt. Wenn Sie das Programm ändern, können Sie fortfahren, indem Sie die „>P<“-Taste drücken
- Drücken Sie die „Pause/Start“-Taste, das Programm startet automatisch.



## Ende des Programms

Sechs Pieptöne zeigen an, dass der Spülgang beendet ist, anschließend schaltet sich der Geschirrspüler aus.

Einige Minuten nach Programmende:

- Öffnen Sie die Tür.
- Drehen Sie den Wasserhahn zu.
- Entfernen Sie Geschirr, usw., sobald es abgekühlt ist.

## Unterbrechen des Programms

- Öffnen Sie die Tür. Achtung! Es besteht die Gefahr, dass Wasser aus dem Geräteinneren herausspritzt. Öffnen Sie die Tür erst dann vollständig, sobald sich der Sprüharm nicht mehr dreht.
- Öffnen Sie die Tür und drücken Sie bitte zunächst auf die Taste „Pause/Start“!
- Wenn das Gerät bereits erhitzt wurde oder das Warmwasser eingeschaltet war und dann die Gerätetür geöffnet wird, lassen Sie die Tür einige Minuten lang angelehnt und schließen Sie sie dann. Andernfalls kann sich die Gerätetür aufgrund der Ausdehnung öffnen.

## Abbrechen oder Ändern eines Zyklus

- Um einen bereits laufenden Zyklus zu ändern, drücken Sie die „Ein/Aus“-Taste, alle Einstellungen werden zurückgesetzt. Um einen neuen Zyklus einzustellen, drücken Sie erneut die „Ein/Aus“-Taste, um den Geschirrspüler einzuschalten, und drücken Sie „>P<“-Taste, um das neue Spülprogramm zu wählen. Während der Änderung des Zyklus, wenn das Waschmittel bereits verwendet wurde und das Gerät möglicherweise bereits das Waschwasser abgelassen hat. In diesem Fall muss das Waschmittel nachgefüllt werden.
- Um einen laufenden Zyklus abzubrechen, drücken Sie die „Ein/Aus“-Taste.

## Wie Sie Ihren Geschirrspüler in Form halten

### Nach jedem Waschgang

Drehen Sie nach jedem Waschgang den Wasserhahn zu und lassen Sie die Tür leicht geöffnet, damit sich keine Feuchtigkeit und Gerüche im Inneren bilden.

### Trennen Sie den Stecker

Trennen Sie vor der Reinigung oder Wartung stets den Stecker von der Steckdose. Gehen Sie keine Risiken ein.

- Keine Lösungsmittel oder scheuernden Reinigungsprodukte

Verwenden Sie zur Reinigung der Außen- und Gummitteile des Geschirrspülers keine Lösungsmittel oder Scheuermittel. Verwenden Sie stattdessen nur ein Tuch und warmes Seifenwasser.

Um Flecken von der Oberfläche des Innenraums zu entfernen, verwenden Sie ein mit Wasser und ein wenig Essig angefeuchtetes Tuch oder ein speziell für Geschirrspüler hergestelltes Reinigungsmittel.

- Bewegung des Geräts

Wenn das Gerät bewegt werden muss, versuchen Sie, es in einer vertikalen Position zu halten. Wenn es unbedingt notwendig ist, kann es auf die Rückseite positioniert werden.

- Siegel

Einer der Faktoren, die Geruchsbildung in der Spülmaschine verursachen, sind Lebensmittel, die an den Dichtungen haften. Eine regelmäßige Reinigung mit einem feuchten Schwamm kann diesem vorbeugen. Die Tür sollte nicht offen gelassen werden, da dies eine Stolperfalle darstellen könnte.

- Wenn Sie in den Urlaub fahren

Wenn Sie in den Urlaub fahren, empfiehlt es sich, einen Waschgang mit leerem Geschirrspüler durchzuführen und dann den Stecker von der Steckdose zu trennen, die Wasserzufuhr zu unterbrechen und die Gerätetür leicht geöffnet zu lassen. Dies trägt dazu bei, dass die Dichtungen länger halten und sich keine Gerüche im Gerät bilden.

## Pflege und Wartung

Eine regelmäßige Überprüfung und Wartung Ihres Geräts hilft, Probleme zu vermeiden. Das spart Zeit und Ärger. Aufgrund dessen sollten Sie das Innere Ihres Geschirrspülers gelegentlich sorgfältig überprüfen.

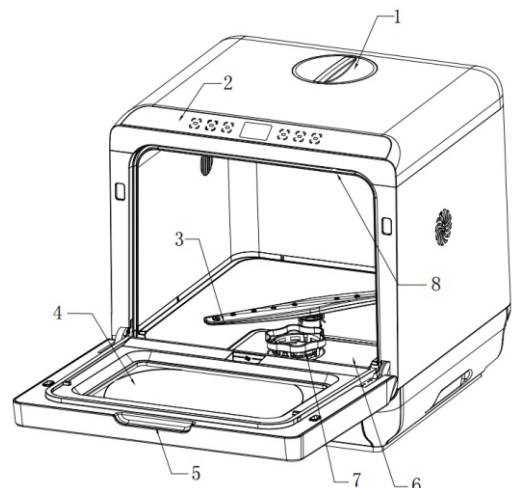
## Gesamtzustand des Geräts

Vergewissern Sie sich, dass sich im Inneren des Geschirrspülers kein Fett oder Kalk angesammelt hat. Wenn Sie Ablagerungen feststellen: Reinigen Sie das Innere des Geschirrspülers gründlich mit einer Waschmittellösung.

## Filter

Die Filter 6 und 7 können verhindern, dass größere Speisereste im Wasser die Pumpe erreichen. Diese Speisereste können gelegentlich die Filter verstopfen.

- Prüfen Sie nach dem Waschen des Geräts die Filter auf Speisereste und reinigen Sie sie bei Bedarf.
- Nach dem Lösen des groben Mikrofilters 7 kann die Filtereinheit 6 entfernt werden. Entfernen Sie alle Speisereste und spülen Sie die Filter mit fließendem Wasser ab.
- Setzen Sie die Filtereinheit 6 ein und ziehen Sie die groben Mikrofilter 7 fest.



### **Sprüharm**

Kalk und Speisereste im Waschwasser können die Düsen der Sprüharme verstopfen

- Überprüfen Sie die Düsen im Gerät auf mit Speiseresten verstopfte Öffnungen.
- Ziehen Sie ggf. den Unterarm nach oben und heben Sie ihn an.
- Reinigen Sie die Sprüharme mit fließendem Wasser.
- Bringen Sie die Sprüharme erneut an.

### **Fehlerbehebung**

Beheben Sie kleinere Probleme selbst

Erfahrungsgemäß können Sie die meisten Probleme, die bei normaler täglicher Nutzung auftreten, selbst beheben, ohne einen Servicetechniker hinzuziehen zu müssen. Das spart nicht nur Kosten, sondern bedeutet auch, dass das Gerät viel schneller wieder einsatzbereit ist.

Die folgende Liste mit häufigen Vorkommnissen und deren Abhilfemaßnahmen soll Ihnen helfen, die Ursachen der meisten Probleme zu erkennen.

### **Probleme**

Beim Einschalten des Geräts fährt das Gerät nicht hoch

- Fehler in der Sicherung der Stromzufuhr.
- Der Stecker wurde nicht in die Steckdose eingeführt.
- Die Gerätetür ist nicht ordnungsgemäß geschlossen.
- Die Programmtaste wurde nicht betätigt.
- Der Wasserhahn wurde nicht aufgedreht.
- Verstopftes Sieb im Wasserzufuhrschlauch.

– Das Sieb befindet sich im Aqua-Stop oder im Versorgungsschlauchanschluss.

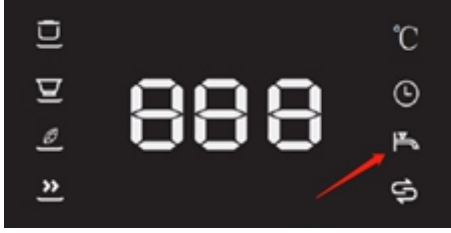
### **! ACHTUNG**

**Vergessen Sie nicht, dass Reparaturen nur von einem qualifizierten Fachmann durchgeführt werden sollten.**

**Unsachgemäße Reparaturen können zu erheblichen Geräteschäden, sowie zu Gefahren für den Benutzer führen.**

mit dem Gerät selbst

Fehleranzeige an der Restlaufzeitanzeige

Fehlercode	Möglicher Grund	Lösung
<b>E1</b>	Programm starten, aber der Wassertank ist noch nicht mit Wasser gefüllt	<p>Der Benutzer muss sicherstellen, dass der Wassertank gefüllt ist, bis das Wasserhahn-Symbol auf dem Display erlischt, während die Maschine einen "di-di-di-di-di" Ton macht.</p> 
	Fehlercode - Ablassventil	<p>Der Benutzer kann den Wassertank befüllen und dann die Taste "Trocknen" im ausgeschalteten Modus 3-5 Sekunden lang drücken, um den Entleerungsvorgang zu aktivieren, der 4 Minuten dauert. Wenn der Fehler weiterhin besteht, kontaktieren Sie bitte unseren Kundendienst.</p>
	Weitere Gründe für Wassermangel	<p>Starten Sie die Maschine neu, falls das Problem weiterhin besteht, kontaktieren Sie bitte unser Kundendienstpersonal.</p>
<b>E2</b>	Fehler bei Temperatursensor	<p>Starten Sie die Maschine neu, falls das Problem weiterhin besteht, kontaktieren Sie bitte unser Kundendienstpersonal.</p>
<b>E4</b>	Fehler der Heizplatte	<p>Starten Sie die Maschine neu, falls das Problem weiterhin besteht, kontaktieren Sie bitte unser Kundendienstpersonal.</p>
<b>E5</b>	Fehler des Verbindungskabels	<p>Starten Sie die Maschine neu, falls das Problem weiterhin besteht, kontaktieren Sie bitte unser Kundendienstpersonal.</p>

**Wasser verbleibt nach Programmende im Gerät**

- Verstopfung o. ä. im Abflussschlauch.
- Die Pumpe ist verstopft.
- Die Filter sind blockiert.

Das Programm läuft noch. Warten Sie, bis das Programm beendet ist.

**Beim Waschen****Eine ungewöhnliche Menge an Schaumstoff**

- Normales Spülmittel wurde in den Geschirrspüler gegossen.
- Entfernen Sie verschüttetes Spülmittel mit einem Tuch, da es sonst beim nächsten Waschgang eine übermäßige Schaumbildung verursachen kann.

**Das Gerät stoppt plötzlich während des Waschvorgangs**

- Unterbrechen Sie die Geräte-Stromzufuhr.
- Die Wasserversorgung wurde unterbrochen.

**Während des Waschvorgangs ist ein Klopfgeräusch zu hören**

- Ein Sprüharm stößt gegen das Geschirr im Geräteinneren.
- Während des Waschvorgangs ist ein klapperndes Geräusch zu hören
- Das Geschirr wurde nicht ordnungsgemäß im Gerät gestapelt.

**Klopfgeräusch aus den Einlassventilen**

- Dies ist auf die Verlegung der Wasserleitungen zurückzuführen und hat keinen Einfluss auf die Gerätefunktion. Es ist keine dementsprechende Abhilfe verfügbar.
- Entfernen Sie verschüttetes Spülmittel mit einem Tuch, da es sonst beim nächsten Waschgang eine übermäßige Schaumbildung verursachen kann.

**Mit dem Geschirr, dem Besteck, usw.**

Speisereste haften am Geschirr, Besteck, usw.

- Der Geschirrspüler wurde nicht befüllt. Die Wasserstrahlen erreichten nicht alle Teile des Geschirrs, usw..
- Zu viele Gegenstände im Regal.
- Die Gegenstände im Regal berührten sich gegenseitig.
- Dem Geschirrspüler wurde nicht genügend Waschmittel zugeführt
- Das ausgewählte Waschprogramm war nicht ausreichend intensiv.
- Die Drehung des Sprüharms wurde durch Geschirr, usw., behindert.
- Die Düsen im Sprüharm sind durch Speisereste verstopft.
- Die Filter sind blockiert.
- Die Filter wurden nicht ordnungsgemäß installiert.
- Die Abwasserpumpe ist verstopft.

**Kunststoffartikel sind verfärbt**

- Es wurde nicht genügend Waschmittel in den Geschirrspüler gegeben.
- Das Waschmittel hat keine ausreichenden Bleich-Eigenschaften. Verwenden Sie ein Waschmittel, das ein chemisches Bleichmittel enthält.

**Auf dem Geschirr verbleiben weiße Flecken, Gläser haben ein milchiges Aussehen**

- Es wurde nicht genügend Waschmittel in das Dosierfach gefüllt.
- Obwohl das Wasser ziemlich hart ist,
- Wenn Sie ein phosphatfreies Waschmittel verwendet haben, probieren Sie ein phosphathaltiges Waschmittel aus und vergleichen Sie die Ergebnisse.

**Geschirr, Besteck, usw., wurden nicht getrocknet**

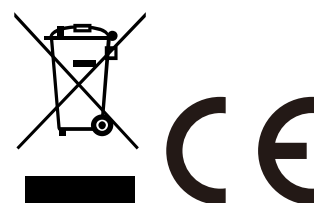
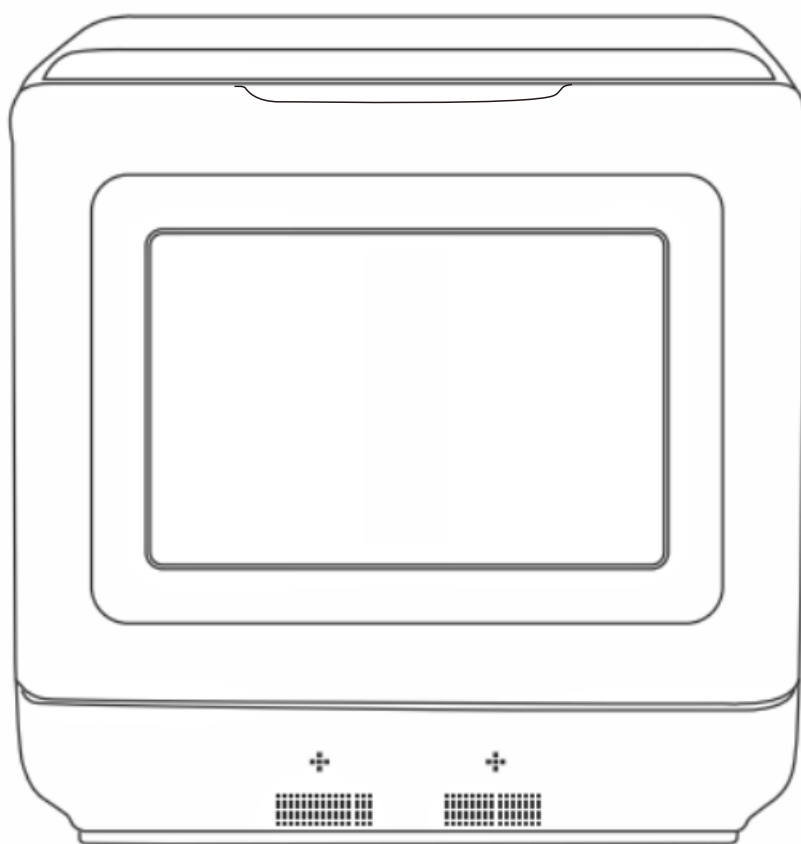
- Das gewählte Programm enthält keine Trocknungsfunktion
- Die Gegenstände wurden vorzeitig aus dem Geschirrspüler genommen.

**Teeflecken oder Lippenstiftspuren wurden nicht vollständig entfernt**

- Das Waschmittel hat keine ausreichende Bleichwirkung,
- Die Washtemperatur war zu niedrig eingestellt.

**Die Gläser werden trüb und verfärben sich; die Beschichtung kann nicht abgewischt werden**

- Es wurde ein ungeeignetes Waschmittel verwendet.
- Die Gläser sind nicht spülmaschinenfest.



**IMPORTANTE! CONSERVARE IL PRESENTE MANUALE PER FUTURO RIFERIMENTO E LEGGERLO ATTENTAMENTE.**

# MANUALE DI ISTRUZIONI

## INDICE

### **Familiarizzare con la lavastoviglie**

Precauzioni di sicurezza-----	83
Struttura interna e nome delle parti-----	84
Pannello di controllo-----	85
Lista degli accessori-----	85
Caratteristiche del prodotto-----	85
Parametri tecnici-----	85

### **Guida all'installazione**

Disimballaggio-----	86
Posizionamento della lavastoviglie-----	86
Collegamento elettrico-----	87
Metodi per aggiungere l'acqua-----	88

### **Guida dell'utente**

Panoramica dei programmi-----	88
Come posizionare le posate-----	89
Come usare le griglie-----	89
Riempire il detergente-----	90
Oggetti non adatti alla lavastoviglie-----	90
I nostri consigli-----	90
Danni a bicchieri e altre stoviglie-----	90
Metodi di risoluzione consigliati-----	90
Lavaggio delle stoviglie-----	90
Accendere la lavastoviglie-----	91
Termine del programma-----	91
Interruzione del programma-----	91
Cancellazione o modifica di un ciclo di lavaggio-----	91
Come mantenere la lavastoviglie in buono stato-----	91
Cura e manutenzione-----	92
Condizioni generali dell'apparecchio-----	92
Filtro-----	92
Rilevazione dei guasti -----	93

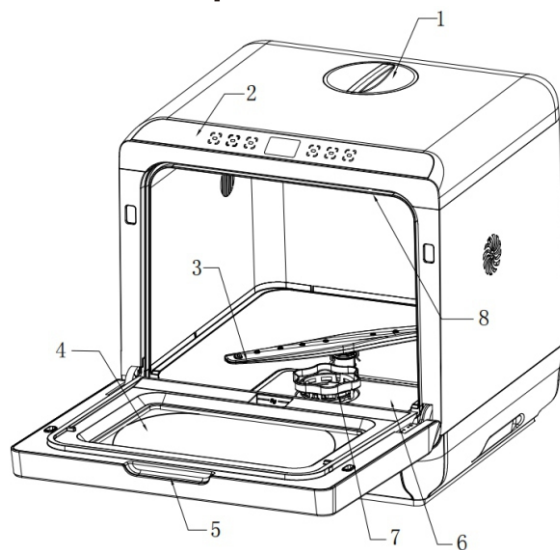
## Familiarizzare con la lavastoviglie

### Precauzioni di sicurezza

1. Al momento della consegna, controllare immediatamente l'imballaggio e la lavastoviglie per rilevare eventuali segni di danni da trasporto. Se l'apparecchio è danneggiato, non azionarlo ma contattare immediatamente il fornitore o il servizio clienti. Si prega di smaltire correttamente i materiali di imballaggio.
2. Posizionare correttamente la lavastoviglie e collegarla alla corrente secondo le istruzioni di installazione.
3. La lavastoviglie non deve essere collegata alla rete elettrica durante l'installazione.
4. Assicurarsi che si colleghi ad una presa di rete con messa a terra.
5. L'alimentazione elettrica di rete deve essere conforme a quella riportata sulla targhetta della lavastoviglie. Non collegare la lavastoviglie alla rete elettrica tramite una prolunga.
6. Durante l'installazione il cavo di alimentazione non deve essere eccessivamente o pericolosamente piegato o appiattito. Durante l'installazione la lavastoviglie deve essere utilizzata solo da adulti per il lavaggio delle stoviglie domestiche.
7. Questo apparecchio non può essere installato all'esterno, nemmeno se nella zona scelta per l'installazione è coperto da un tetto; è inoltre molto pericoloso lasciarlo esposto alla pioggia e alle intemperie.
8. Non posizionare oggetti pesanti o contenitori d'acqua sull'apparecchio, ciò influenzerà il funzionamento della lavastoviglie o causerà dei danni.
9. L'acqua all'interno della lavastoviglie non è potabile. Non utilizzare solventi di alcun tipo all'interno della lavastoviglie. Potrebbero comportare il pericolo di esplosione.
10. Aprire lo sportello con molta attenzione se la lavastoviglie è in funzione. C'è il rischio che fuoriescano schizzi d'acqua. Non toccare direttamente l'elemento riscaldante durante o dopo un ciclo di lavaggio.
11. Regole fondamentali da seguire durante l'utilizzo dell'apparecchio:
  - Non toccare mai la lavastoviglie a piedi nudi o con mani o piedi bagnati;
  - L'uso di prolunghe e prese multiple non è consigliabile;
  - Se l'apparecchio non funziona correttamente o è necessario eseguire una manutenzione, scollegare l'apparecchio dalla rete elettrica.
12. Se nella vostra famiglia ci sono dei bambini, tenere i detersivi fuori dalla portata dei bambini, i quali devono essere tenuti lontani anche dalla lavastoviglie quando lo sportello è aperto.
13. In caso di guasti:
  - In caso di malfunzionamento dell'apparecchio, interrompere l'alimentazione idrica all'apparecchio e scollegare la spina dalla presa elettrica a muro. Consultare quindi la sezione intitolata "Risoluzione guasti". Se non si riesce a risolvere il problema, contattare un centro assistenza.
  - Solo il personale specializzato è autorizzato ad effettuare le riparazioni.
14. Per mantenere l'EFFICIENZA e la SICUREZZA di questo apparecchio, si consiglia di:
  - Chiamare solo i centri assistenza autorizzati dal produttore.
  - Utilizzare sempre pezzi di ricambio originali.
15. Quando si smaltiscono i vecchi elettrodomestici:
  - Gli apparecchi non più utilizzati devono essere resi inutilizzabili tagliando il cavo di alimentazione e rimuovendo lo sportello.
  - Portare l'apparecchio presso un centro di smaltimento rifiuti designato.
16. Questo apparecchio può essere utilizzato da bambini di età superiore agli 8 anni e da persone con ridotte capacità fisiche, sensoriali o mentali o con mancanza di esperienza e conoscenza, purché siano stati istruiti o sorvegliati sull'uso sicuro dell'apparecchio e comprendano i pericoli che esso comporta.
17. I bambini non devono giocare con l'apparecchio.

18. La pulizia e la manutenzione da parte dell'utente non devono essere effettuate da bambini senza sorveglianza.
19. Se il cavo di alimentazione è danneggiato, deve essere sostituito dal produttore, dal suo agente di assistenza o da persone qualificate in modo simile per evitare pericoli.
20. È necessario utilizzare i nuovi set di tubi flessibili forniti con l'apparecchio e non riutilizzare quelli vecchi.
21. La porta non deve essere lasciata in posizione aperta poiché ciò potrebbe costituire un pericolo di inciampo.
22. **AVVERTENZA:** i coltelli e altri utensili con punte affilate devono essere caricati nel cestello con le punte rivolte verso il basso o posizionati in orizzontale.
23. Questo apparecchio è destinato all'uso domestico e ad applicazioni simili, quali:
  - cucine per il personale in negozi, uffici e altri ambienti di lavoro;
  - agriturismi;
  - clienti di hotel, motel e altri ambienti di tipo residenziale;
  - bed and breakfast.
24. Le aperture non devono essere ostruite da tappeti.

### Struttura interna e nome delle parti

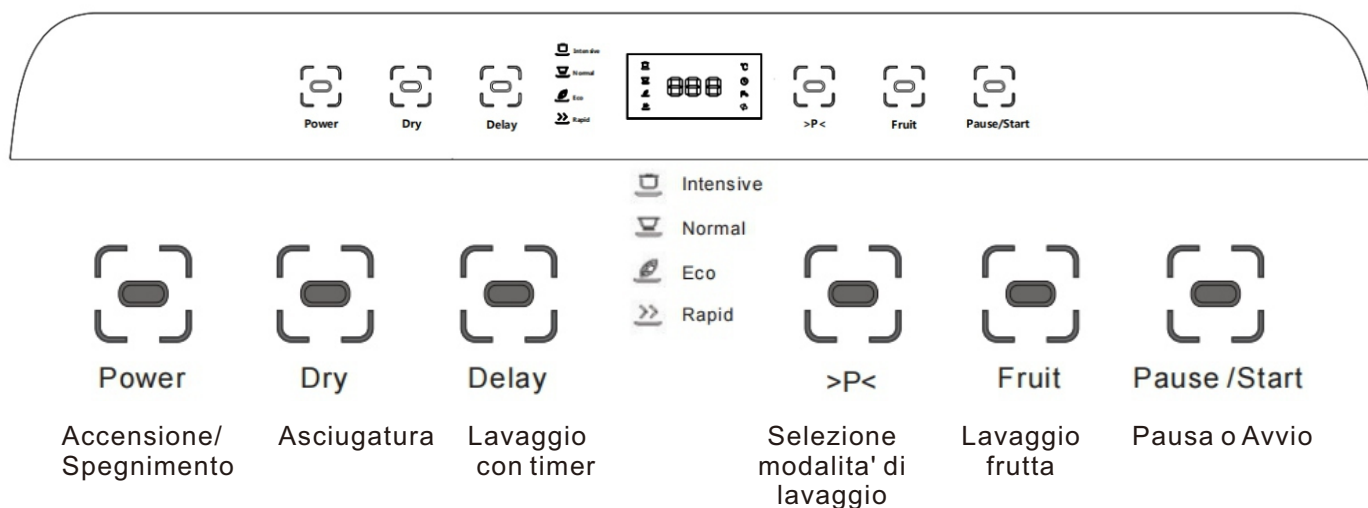


No .	Parte	No .	Parti
1	Coperchio del serbatoio	5	Maniglia
2	Pannello di controllo	6	Schermo del filtro
3	Braccio irroratore	7	Filtro
4	Sportello interno in vetro	8	Ugello superiore

## Griglia della lavastoviglie



## Pannello di controllo



## Lista degli Accessori

Griglia	1	Tubo di drenaggio	1	Morsetto del tubo (per il tubo di drenaggio)	1
Vano delle bacchette	1	Tubo di ingresso dell'acqua	1	Misurino	1
Cestello della frutta	1	Ventosa	1	Manuale d'uso	1

## Caratteristiche del Prodotto

- Lavaggio ad alta temperatura
- Lavastoviglie da tavolo, facile da installare
- Lavaggio rapido, solo 29 minuti
- Dotata di funzione lavaggio frutta (per mele, uva, etc)

## Parametri tecnici

Alimentazione	220-240V~ 50Hz
Potenza nominale	840W
Consumo d'acqua	4,5L
Dimensioni (W* D* H)	17,72* 17,32* 18,03pollici/45*44*45,8cm
Peso( peso netto )	13,5 KG
Metodo di asciugatura	Asciugatura con aria calda

## Guida all'installazione

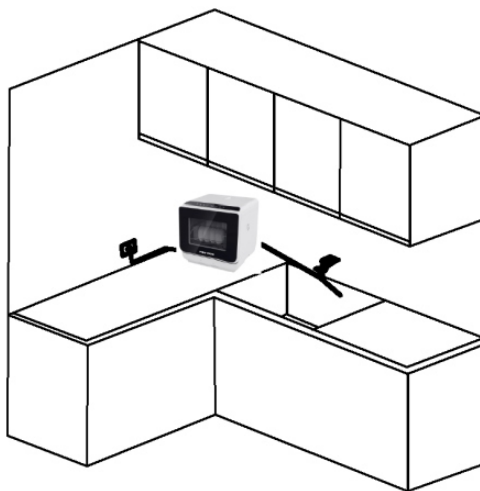
### Disimballaggio

- Rimuovere l'imballaggio del cartone esterno, il cuscinetto in spugna, il sacchetto di plastica.
- Rimuovere la confezione di imballaggio della lavastoviglie ed estrarre nel frattempo gli accessori
- Riposizionare correttamente la lavastoviglie

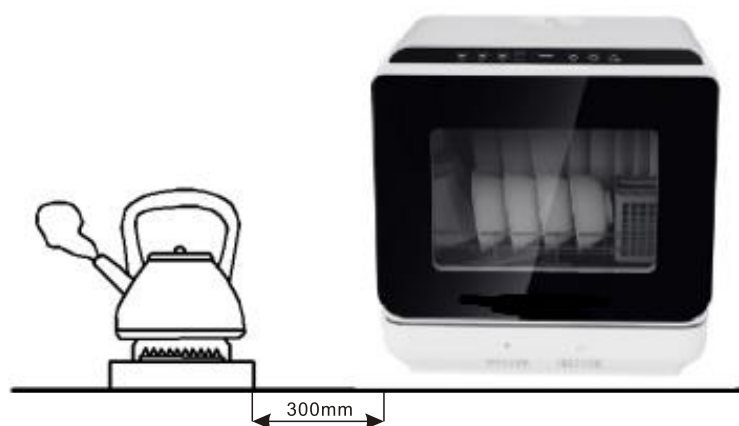
Suggerimenti: ogni apparecchio è stato testato prima di lasciare la fabbrica per garantirne la qualità. Se si nota un gocciolamento d'acqua quando si utilizza la lavastoviglie per la prima volta, potete comunque utilizzarla.

### Posizionamento della lavastoviglie

1. Posizionamento dell'apparecchio nel luogo desiderato. Assicurarsi che l'altezza da terra sia superiore a 500 mm, lasciare una distanza superiore a 50 mm dai quattro lati. La lavastoviglie è dotata di (ubi di drenaggio che possono essere posizionati a destra o a sinistra per facilitare la corretta installazione.



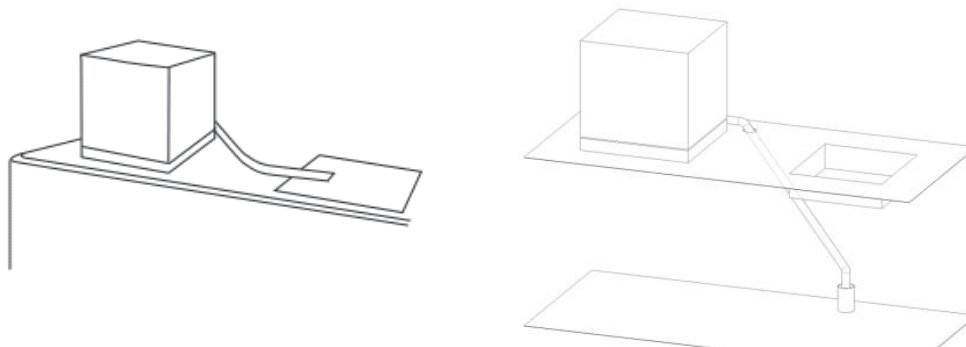
2. Tenere l'apparecchio lontano da fornelli a gas o altri apparecchi che emettono calore (oltre 300 mm)



3. Per caricare o scaricare facilmente le stoviglie, posizionare l'apparecchio su un mobile o su un tavolo.
4. Non posizionare questo apparecchio nei seguenti luoghi:
  - Luoghi esposti alla luce solare diretta
  - Luoghi ghiacciati
  - Luoghi irregolari e instabili

### 5. Collegamento del tubo di drenaggio

- Collegare il tubo di drenaggio all'uscita e al morsetto, il tubo terminale non deve essere immerso nell'acqua.
- Collegare il tubo di ingresso dell'acqua e il tubo di scarico alla lavastoviglie, fare riferimento all'immagine sottostante:



### 6. Fissare il tubo di scarico al lavandino con ventosa.



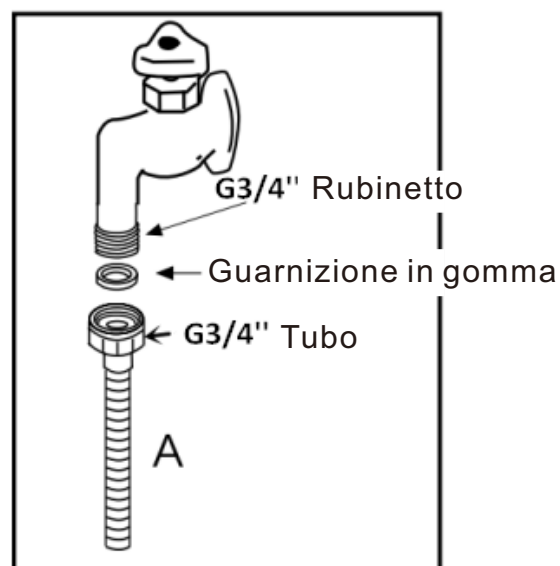
### 7. Collegare il tubo di ingresso dell'acqua

- Collegare il tubo di ingresso dell'acqua al rubinetto dell'acqua filettato G3/4.
- Assicurarsi che sia fissato correttamente in posizione.
- Se il tubo è nuovo o non è stato utilizzato a lungo, far scorrere l'acqua per assicurarsi che sia limpida e priva di impurità. Se non si adotta questa precauzione c'è il rischio che l'ingresso si ostruisca e che danneggi l'apparecchio.

8. La pressione dell'acqua richiesta è di 0,03Mpa~ 1,0Mpa.

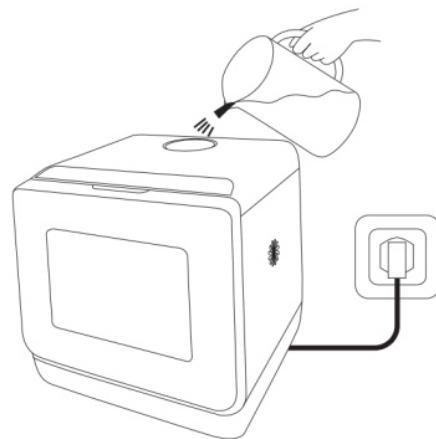
### Collegamento elettrico

Dopo essersi assicurati che i valori di tensione e frequenza della rete domestica corrispondano a quelli riportati sulla targa dati dell'apparecchio e che l'impianto elettrico sia adeguato alla tensione massima indicata sulla targhetta, inserire la spina in una presa elettrica che adeguatamente messa a terra (la messa a terra dell'apparecchio è un requisito di sicurezza imposto dalla legge). Se la presa elettrica a cui deve essere collegato l'apparecchio non è adatta alla spina, sostituire l'intero cavo, anziché utilizzare adattatori o simili in quanto potrebbero causare surriscaldamenti e bruciature.



## Metodi per aggiungere l'acqua

- Aggiungere l'acqua manualmente
  - Aprire il coperchio del serbatoio dell'acqua, quindi aggiungere 4,5 litri d'acqua.
  - Prima dell'avvio, riempire con acqua, l'apparecchio emetterà un suono "di-di-di".
  - Dopo l'avvio, se nel serbatoio manca l'acqua, l'icona "☒" rimane accesa, finché non si riempie d'acqua l'apparecchio emette un suono "di-di-di", e l'icona "☒" si spegne.



**(ATTENZIONE:** Il display mostrerà il codice di errore "E1" se il serbatoio dell'acqua non è completamente riempito)

- Aggiungere acqua automaticamente
  - Collegare il tubo di ingresso dell'acqua alla lavastoviglie, l'acqua si riempirà automaticamente.
  - Utilizzare una pressione dell'acqua compresa tra 0,03 MPa e 1,0 MPa, se superiore a 1,0 Mpa danneggerà l'apparecchio, se inferiore a 0,03 MPa influenzerà il funzionamento dell'apparecchio.

## Guida dell'utente

### Panoramica dei programmi

Programma	Tipo di stoviglie	Tipo di residui di cibo	Condizioni dei residui di cibo	Pastiglia per lavastoviglie	Tempo di lavaggio (min)
Lavaggio intensivo	Stoviglie di porcellana, coltelli e forchette, cucchiari, bacchette etc.	Minestra , casseruola, salsa, riso, uova, arrostiti o cibi fritti etc.	Residuo indurito	10g	99
ECO lavaggio	Stoviglie di porcellana, coltelli e forchette, cucchiari, bacchette etc	Minestra , casseruola, salsa, riso, uova, arrostiti o cibi fritti etc.	Residuo indurito	10g	139
Lavaggio normale	Stoviglie di porcellana, coltelli e forchette, cucchiari, bacchette etc	Minestra , casseruola, salsa, riso, uova, arrostiti o cibi fritti etc.	Residuo indurito	10g	79
Lavaggio rapido	Stoviglie di porcellana, coltelli e forchette, cucchiari, bacchette etc	Caffè, tè, zuppa, succo di frutta	Residuo attaccato mollemente	8g	29
Lavaggio della frutta	Mela, uva, pera etc.	/	/	/	18
Asciugatura	1) Asciugatura+Intensivo/Eco/Normale/Rapido, la lavastoviglie funzionerà per 90 minuti ciascuno alternando 12 ore, e si spegnerà dopo 163,5 ore .				
	2) Tenere premuto il TASTO DRY per 3~5 secondi per attivare il processo di asciugatura di 90 minuti ciascuno alternandosi per 12 ore separatamente, quindi si spegnerà dopo 163,5 ore.				
	3) Tenere premuto il TASTO DRY per 3~5 secondi in stato di spegnimento, la lavastoviglie inizierà a drenare l'acqua all'interno dell'apparecchio per 4 minuti.				

**Suggerimenti:** Se si desidera ottenere un buon effetto di asciugatura, ti consigliamo di scegliere uno qualsiasi dei programmi di lavaggio (Intensivo/Eco/Normale/Rapido) e la modalità asciugatura per ottenere il risultato desiderato.

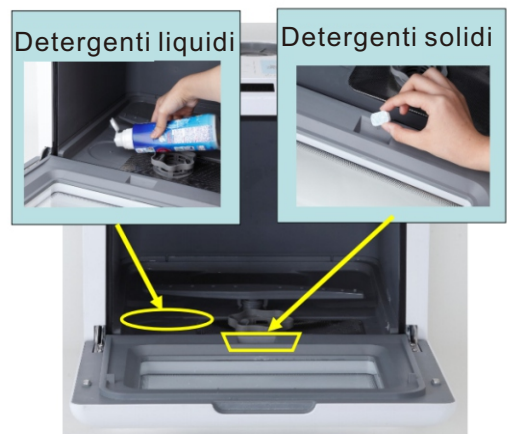
## Sistemazione di stoviglie, bicchieri, etc. nella lavastoviglie

Prima di mettere le stoviglie nella lavastoviglie, rimuovere i residui di cibo più grandi per evitare che si depositino nel filtro e quindi che non si ostruisca, con conseguente riduzione delle prestazioni. Se le pentole e le padelle contengono residui di cibo estremamente difficili da rimuovere, si consiglia di rimuoverli lasciando in ammollo prima del lavaggio. Ciò eliminerà la necessità di cicli di lavaggio aggiuntivi. Estrarre il cestello per caricare la lavastoviglie.



### Come usare il cestello

Si consiglia di posizionare sulla griglia gli oggetti più difficili da pulire: pentole, padelle, coperchi, piatti da portata e ciotole, come mostrato in figura. È preferibile posizionare piatti da portata e coperchi ai lati del cestello per evitare di bloccare la rotazione dell'irroratore. Pentole, ciotole, etc. deve essere sempre posizionato a faccia in giù.



Le posate vanno riposte nel cestello con i manici rivolti verso il basso; se il cestello è dotato di compartimenti laterali, i cucchiaini vanno posizionati singolarmente negli appositi compartimenti. Gli utensili particolarmente lunghi devono essere sistemati in posizione orizzontale.

### Capacità del cestello:

Piatto fondo	2	Tazze	2	Cucchiaino	4
Piatto piano	3	Bacchette	4 paia	Salsiera	2
Ciotole per riso	4	Bicchieri	2	Cucchiaino	1
Ciotola per spaghetti	3	Mestolo per riso	1		

**AVVERTENZA:** I coltelli e gli altri utensili con punte taglienti devono essere caricati nel cestello con la punta rivolta verso il basso o posizionati in orizzontale.

### Come riempire il detergente

È necessario utilizzare detergenti specifici per lavastoviglie. Per la lavastoviglie senza dosatore, il detersivo viene versato direttamente nella lavastoviglie. Esso deve essere riempito prima dell'inizio di ogni ciclo di lavaggio.

### Oggetti non adatti alla lavastoviglie

1. Cosa non mettere in lavastoviglie, posate e stoviglie prodotte interamente o in parte di legno. Si sbiadiranno e avranno un aspetto sgradevole.  
Inoltre, gli adesivi non sono adatti alla temperatura interna della lavastoviglie. Vetreria e vasi decorativi delicati, porcellane speciali antiche o insostituibili.
2. I motivi decorativi di tali articoli non possono essere lavati in lavastoviglie.
3. Non sono adatti nemmeno oggetti in plastica non resistenti all'acqua calda, utensili in rame e peltro. Motivi decorativi stampati o dipinti sulla superficie delle stoviglie, bicchieri, etc., oggetti in alluminio e argento tendono a scolorirsi o scolorirsi se lavati in lavastoviglie. Alcuni tipi di vetro possono assumere un aspetto opaco dopo essere stati lavati più volte in lavastoviglie. I materiali altamente assorbenti, come spugne e asciugamani, non devono mai essere messi in lavastoviglie.

### I nostri consigli

In futuro si consiglia di acquistare solo stoviglie o utensili da cucina che siano lavabili in lavastoviglie.



#### Importante

Piatti o posate che sono sporchi di cenere di tabacco, cera, grasso lubrificante o vernice, non devono essere messi in lavastoviglie.

### Danni a bicchieri e altre stoviglie

Possibili cause

- Tipo di vetro o processo di fabbricazione.
- Composizione chimica del detergente.
- Temperatura dell'acqua e durata del programma della lavastoviglie.

### Metodi di risoluzione consigliati

- Utilizzare stoviglie in vetro o porcellana contrassegnate dal produttore con la dicitura "resistente al lavaggio in lavastoviglie".
- Utilizzare un detergente delicato descritto come "delicato per i piatti". Se necessario, chiedere ulteriori informazioni ai produttori di detergenti.
- Selezionare un programma con una temperatura bassa e una durata quanto più breve possibile.
- Per evitare danni, rimuovere bicchieri e posate dalla lavastoviglie il più presto possibile dopo la fine del programma.

### Lavaggio delle stoviglie

Selezione del programma

Il programma più adatta può essere individuato confrontando il tipo di stoviglie, posate, etc., nonché la quantità e lo stato dei residui di cibo rimasti, con i dettagli contenuti nella tabella dei cicli di lavaggio. Nella metà destra della tabella vengono visualizzati lo svolgimento del programma, la durata e i dettagli sui consumi.

Ad esempio: utilizzare il programma <intensivo o ECO> per stoviglie e utensili in cui sono presenti residui di cibo duri.

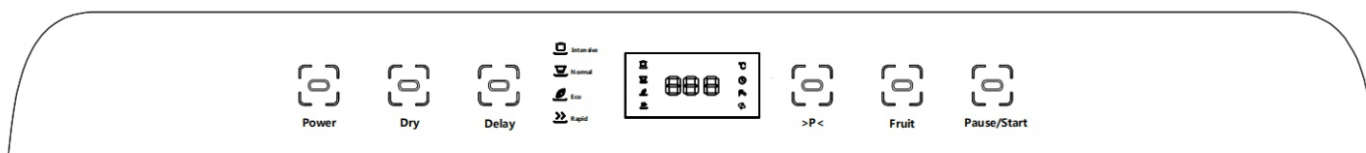
## Parametri dei programmi

I parametri dei programmi indicati si basano su condizioni operative standard. I valori possono variare considerevolmente a seconda della diversa quantità di stoviglie, della temperatura della rete idrica, della pressione della rete idrica, della temperatura ambiente, di fluttuazioni della tensione di rete e fattori legati all'apparecchio (ad es. temperatura, volume dell'acqua, . . .)

## Accendere la lavastoviglie

Chiudere lo sportello, quindi

- Premere il pulsante "Accensione".
- Premere programma per scegliere la modalità di lavaggio, lo schermo mostra il tempo rimanente del programma. Se si cambia programma è possibile proseguire premendo il tasto ">P<".
- Premere il pulsante "Pausa/Avvio", il programma si avvia automaticamente



## Termine del programma

Sei segnali acustici indicheranno che il ciclo di lavaggio è terminato e poi la lavastoviglie si spegnerà.

Diversi minuti dopo la fine del programma:

- Aprire lo sportello.
- Chiudere il rubinetto dell'acqua.
- Rimuovere i piatti, etc. quando si saranno raffreddati.

## Interruzione del programma

- Aprire lo sportello. Attenzione! C'è il rischio che l'acqua fuoriesca dall'interno dell'apparecchio. Non aprire completamente lo sportello finché il braccio irroratore non ha smesso di ruotare.
- Aprire lo sportello, premere prima il pulsante "Pausa/Avvio"!
- Se l'apparecchio si è già riscaldato o la funzione dell'acqua calda è stata accesa e poi si è aperto lo sportello dell'apparecchio, lasciare lo sportello socchiuso per alcuni minuti e poi chiuderlo.

In caso contrario lo sportello dell'apparecchio potrebbe aprirsi a causa l'emissione del calore.

## Cancellare o modificare un ciclo di lavaggio

- Per modificare un ciclo già in corso premere il pulsante "Power", tutte le impostazioni verranno annullate. Per impostare un nuovo ciclo, premere nuovamente il pulsante "Power" per accendere la lavastoviglie, premere ">P<" per scegliere la nuova modalità di lavaggio. Durante la modifica del ciclo, se il detergente è già stato utilizzato e se l'apparecchio ha già scaricato l'acqua di lavaggio, è necessario riempire nuovamente il detergente.
- Per annullare un ciclo in corso, premere il pulsante "Power".

## Come mantenere la lavastoviglie in buone condizioni

- Dopo ogni lavaggio

Dopo ogni lavaggio, interrompere il flusso di acqua verso l'apparecchio e lasciare lo sportello leggermente socchiuso in modo che umidità e odori non rimangano intrappolati all'interno.

- Estrarre la spina

Prima di effettuare operazioni di pulizia o manutenzione, estrarre sempre la spina dalla presa di corrente. Non correre rischi.

- Non usare solventi o prodotti per la pulizia abrasivi

Per pulire le parti esterne e in gomma della lavastoviglie non utilizzare solventi o prodotti abrasivi per la pulizia. Utilizzare invece solo un panno e acqua tiepida e sapone.

Per rimuovere macchie o macchie dalla superficie interna, utilizzare un panno inumidito con acqua e un po' di aceto, oppure un prodotto detergente specifico per lavastoviglie.

- Spostare l'apparecchio

Se è necessario spostare l'apparecchio, cercare di mantenerlo in posizione verticale. Se assolutamente necessario può essere posizionato sul lato.

- Guarnizioni

Uno dei fattori che causano la formazione di odori nella lavastoviglie è il cibo che rimane intrappolato nelle guarnizioni. Una pulizia periodica con una spugna umida eviterà che ciò accada.

Lo sportello non deve essere lasciato aperto poiché ciò potrebbe rappresentare un pericolo di inciampo.

- Quando si va in vacanza

Quando si va in vacanza, si consiglia di eseguire un ciclo di lavaggio e di svuotare la lavastoviglie, quindi estrarre la spina dalla presa di corrente, interrompere l'alimentazione idrica e lasciare leggermente socchiuso lo sportello della lavastoviglie. Ciò aiuterà le guarnizioni a durare più a lungo e impedirà la formazione di odori all'interno dell'elettrodomestico.

## Cura e manutenzione

L'ispezione e la manutenzione regolari dell'apparecchio aiutano a prevenire il verificarsi di problemi. Ciò consente di risparmiare tempo e fatica. Pertanto, di tanto in tanto è necessario ispezionare attentamente l'interno della lavastoviglie.

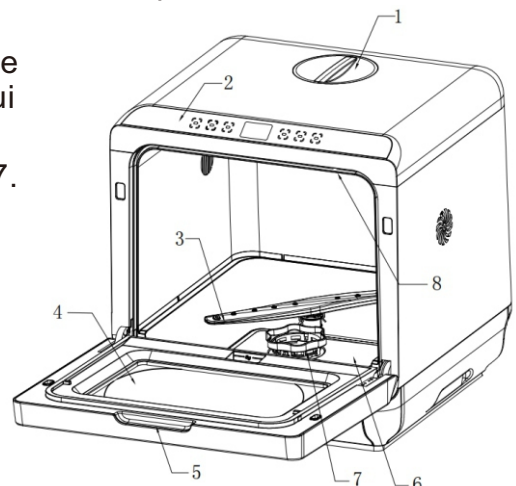
## Condizioni generali della lavastoviglie

Controllare che all'interno della lavastoviglie non si siano accumulati grasso o incrostazioni. Se si notano depositi: pulire accuratamente l'interno della lavastoviglie con una soluzione detergente.

## Filtro

I filtri 6 e 7 possono impedire che le particelle più grandi di cibo presenti nell'acqua raggiungano la pompa. Queste particelle possono occasionalmente bloccare i filtri.

- Una volta terminato il lavaggio dell'apparecchio, controllare la presenza di residui di cibo nei filtri e, se necessario, pulirli.
- Dopo aver allentato il micro-filtro grosso 7 è possibile rimuovere l'unità filtro 6. Rimuovere eventuali residui di cibo e sciacquare i filtri sotto l'acqua corrente.
- Inserire l'unità filtro 6 e stringere i micro-filtri grossi 7.



### **Braccio irroratore**

Calcare e resti di cibo nell'acqua di lavaggio possono ostruire gli ugelli dei bracci irroratori.

- Controllare gli ugelli per verificare che non vi siano fori ostruiti a causa di residui di cibo.
- Se necessario, tirare il braccio inferiore verso l'alto e sollevarlo.
- Pulire i bracci irroratori sotto l'acqua corrente.
- Rimontare i bracci irroratori.

### **Rilevazione dei guasti**

Risolvere piccoli problemi da soli.

L'esperienza ha dimostrato che è possibile risolvere da soli la maggior parte dei problemi che si verificano durante il normale utilizzo quotidiano, senza dover chiamare un tecnico dell'assistenza. Questo non solo fa risparmiare denaro, ma significa anche che l'apparecchio sarà di nuovo disponibile per l'uso molto più velocemente.

Il seguente elenco di eventi comuni e relativi rimedi dovrebbe aiutare a identificare le cause della maggior parte dei problemi.

### **Problemi**

Quando l'apparecchio è acceso, l'apparecchio non si mette in funzione.

- Guasto al fusibile nella rete elettrica.
  - Spina non inserita nella presa a muro.
  - Lo sportello dell'apparecchio non è chiuso correttamente.
  - Il pulsante del programma non è stato premuto.
  - Il rubinetto dell'acqua non è aperto.
  - Filtro ostruito nel tubo di ingresso dell'acqua.
- Il filtro si trova nel Valvola di arresto dell'acqua o nel collegamento del tubo di alimentazione dell'acqua.

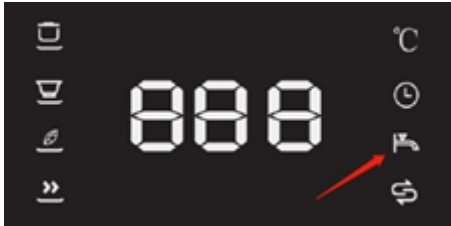
### **! Attenzione**

**Non dimenticare che le riparazioni devono essere eseguite solo da uno specialista qualificato.**

**Riparazioni incorrette possono causare notevoli danni all'apparecchio e pericoli per l'utente.**

l'apparecchio stesso

Visualizzazione dell'errore sull'indicatore di tempo rimanent

Codice di errore	Possibile motivo	Soluzione
E1	Eseguire il programma ma il serbatoio dell'acqua non è ancora riempito d'acqua	<p>L'utente deve assicurarsi che il serbatoio dell'acqua sia riempito fino a quando il simbolo del rubinetto sul display si spegne, mentre la macchina emette un suono "di-di-di-di-di".</p> 
	Codice di errore	L'utente può riempire il serbatoio dell'acqua e successivamente premere a lungo il pulsante "Asciugatura" per 3-5 secondi in modalità spenta per attivare il processo di drenaggio, che dura 4 minuti. Se il problema persiste, contattare il nostro personale post-vendita, per favore.
	Altre ragioni per la mancanza d'acqua	Riavvia la macchina, se il problema persiste, contatta il nostro personale di assistenza post-vendita.
E2	Anomalia del sensore di temperatura	Riavvia la macchina, se il problema persiste, contatta il nostro personale di assistenza post-vendita.
E4	Anomalia della piastra riscaldante	Riavvia la macchina, se il problema persiste, contatta il nostro personale di assistenza post-vendita.
E5	Anomalia del cavo di connessione	Riavvia la macchina, se il problema persiste, contatta il nostro personale di assistenza post-vendita.

Al termine del programma rimane dell'acqua all'interno dell'apparecchio

- Ostruzione o simile nel tubo di drenaggio.
- La pompa è bloccata.
- I filtri sono bloccati.

Il programma è ancora in esecuzione. Attendere la fine del programma.

Durante il lavaggio

Si genera una quantità insolita di schiuma

- È stato versato nella lavastoviglie un normale detersivo per piatti.
- Rimuovere eventuali residui di brillantante con un panno poiché altrimenti potrebbero causare un'eccessiva formazione di schiuma durante il ciclo di lavaggio successivo.

L'apparecchio si arresta improvvisamente durante il lavaggio

- Interrompere l'alimentazione elettrica all'apparecchio.
- Interrompere l'erogazione dell'acqua.

Durante il lavaggio si sentono dei battiti

- Un braccio irroratore urta contro le stoviglie all'interno dell'apparecchio.
- Durante il lavaggio si sente un tintinnio.
- Le stoviglie non sono state impilate correttamente all'interno dell'apparecchio.

Suono di battiti proveniente dalle valvole di aspirazione

- Ciò è causato dal modo in cui sono stati disposti i tubi dell'acqua e non ha alcun effetto sul funzionamento dell'apparecchio. Non c'è rimedio a questo.
- Rimuovere eventuali residui di brillantante con un panno poiché altrimenti potrebbero causare un'eccessiva formazione di schiuma durante il ciclo di lavaggio successivo.

Con i piatti, le posate, etc.

Residui di cibo sono rimasti attaccati alle stoviglie, alle posate, etc.

- La lavastoviglie non è stata caricata correttamente. I getti d'acqua non riescono a raggiungere tutte le parti delle stoviglie, etc.
- Troppe stoviglie nel cestello.
- Le stoviglie nel cestello si toccano tra loro.
- Non è stato aggiunto abbastanza detersivo alla lavastoviglie
- Il programma di lavaggio selezionato non era abbastanza intenso.
- La rotazione del braccio irroratore è stata ostacolata da stoviglie, etc.
- Gli ugelli del braccio irroratore sono ostruiti da residui di cibo.
- I filtri sono bloccati.
- I filtri sono stati montati in modo errato.
- La pompa dell'acqua sporca è bloccata.

Gli oggetti in plastica si sono scoloriti

- Non è stato aggiunto abbastanza detergente alla lavastoviglie.
- Il detergente ha proprietà sbiancanti insufficienti. Utilizzare un detergente contenente un agente sbiancante chimico.

Sulle stoviglie rimangono macchie bianche, i bicchieri hanno un aspetto lattiginoso

- Non è stato aggiunto abbastanza detergente nell'apposito scomparto.
- L'acqua utilizzata è troppo dura.
- Se si utilizza un detergente privo di fosfati, provare un detergente contenente fosfati e confrontare i risultati.

Piatti, posate etc. non sono stati asciugati

- Il programma selezionato non include la funzione di asciugatura
- Gli articoli sono stati rimossi dalla lavastoviglie troppo presto.

Le macchie di tè o le tracce di rossetto non sono state rimosse completamente

- Il detergente non ha un effetto sbiancante sufficiente.
- La temperatura di lavaggio impostata è troppo bassa.

I bicchieri diventano opachi e scoloriti; il rivestimento non può essere rimosso

- È stato utilizzato un detergente non adatto.
- I bicchieri non sono lavabili in lavastoviglie.