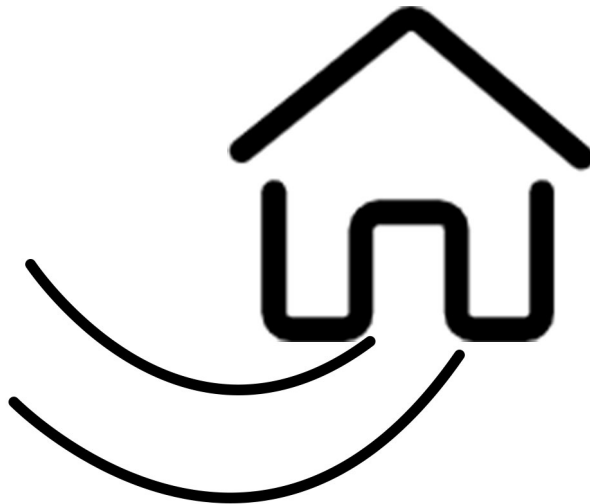


HAPPINESS HAPPINESS INSTALLATION



CAUTION

Parts are placed at the bottom of the product.

- If you have any questions with the product, please contact us by:
- **Email: customerservice@zoy-living.com**
(we will reply to you within 24 hours)

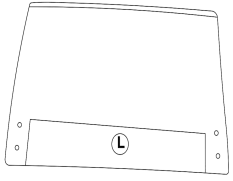
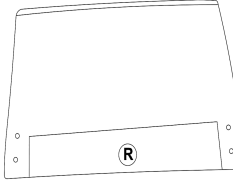
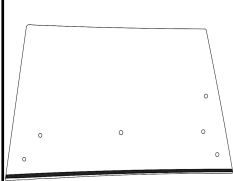
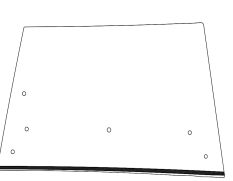
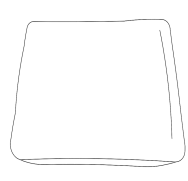

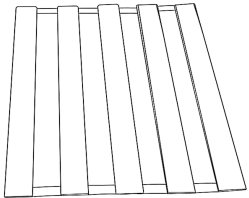
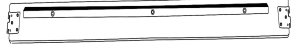

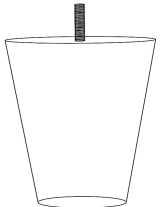
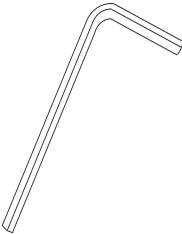
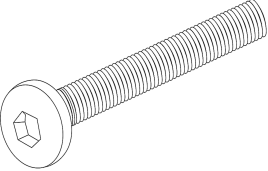
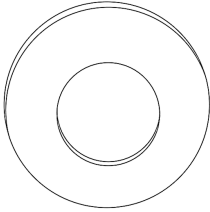
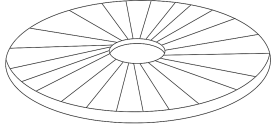

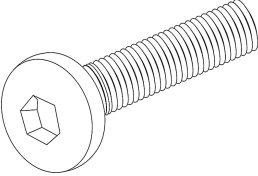
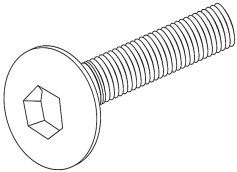
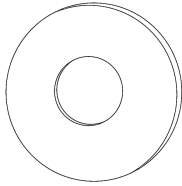
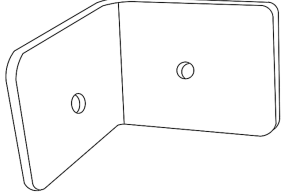

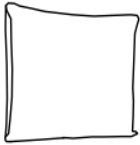
Assembly Instructions

SS5672A

Your recliner comes packaged in **One** boxes. Carefully remove all of components from the packaging and set aside for assembly.

CAUTION
DO NOT use any sharp objects to open plastic wrapped components as this may result damage to product or components .

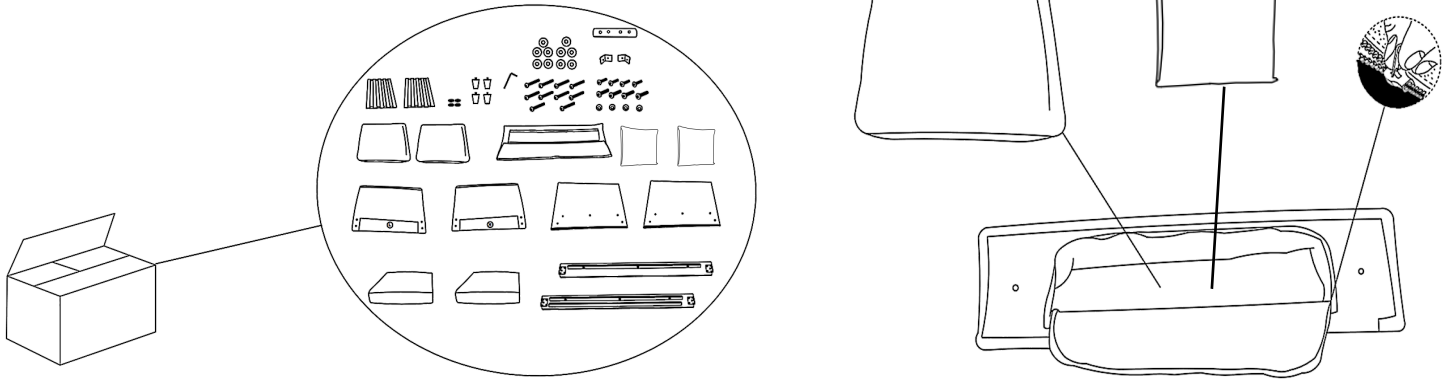
Package Contents

BOX1 SS5672A					
	A*1	B*1	C*1	T*1	D*2
					
E*1	F*2	G*1	H*1	I*4	
					
J*1pcs	K*10pcs	L*10pcs	M*4pcs	N*2	
					
R*4pcs	Q*4pcs	S*4pcs	P*2pcs	O*1pcs	
					
U*2pcs					

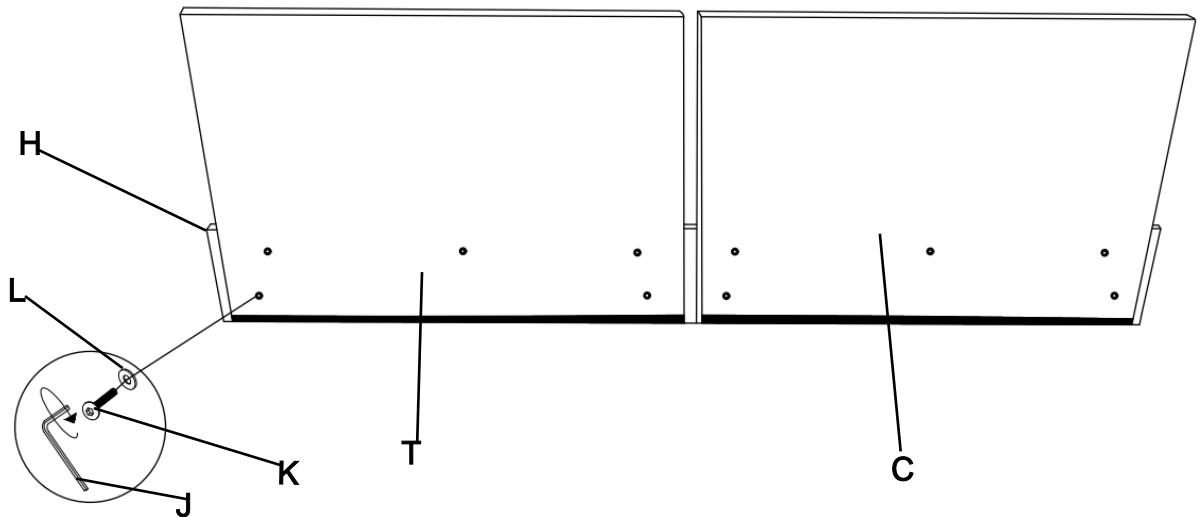
1

Sofa Assembly – Installation Steps

Please carefully remove all components from the cardboard box and place them aside for assembly. Note: Inside the left and right armrests (A & B) are two compressed back cushions (D) and two throw pillows (U). To remove them, carefully unzip the zipper at the bottom of each armrest (A & B), then gently extract the compressed back cushions (D) and throw pillows (U). After removal, rezip the bottom zippers.

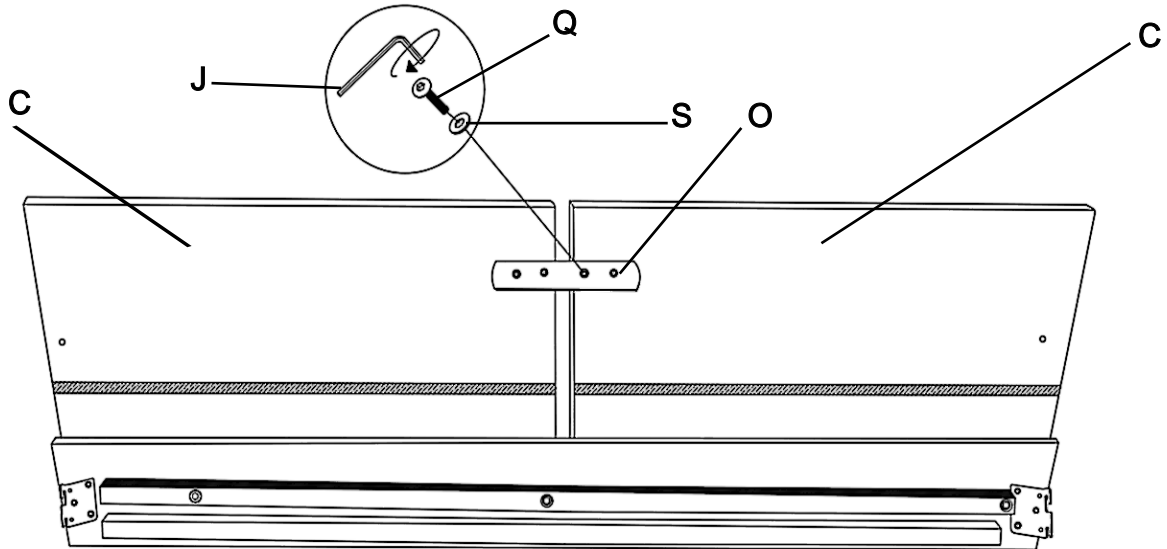


Step1 Use wrench (J) to thread screw (K \times 10) through the washer (L \times 10) and secure the backrest (C & T) to the rear panel (H). Ensure that the fastening is secure. Note: Tighten the screw to 100%.

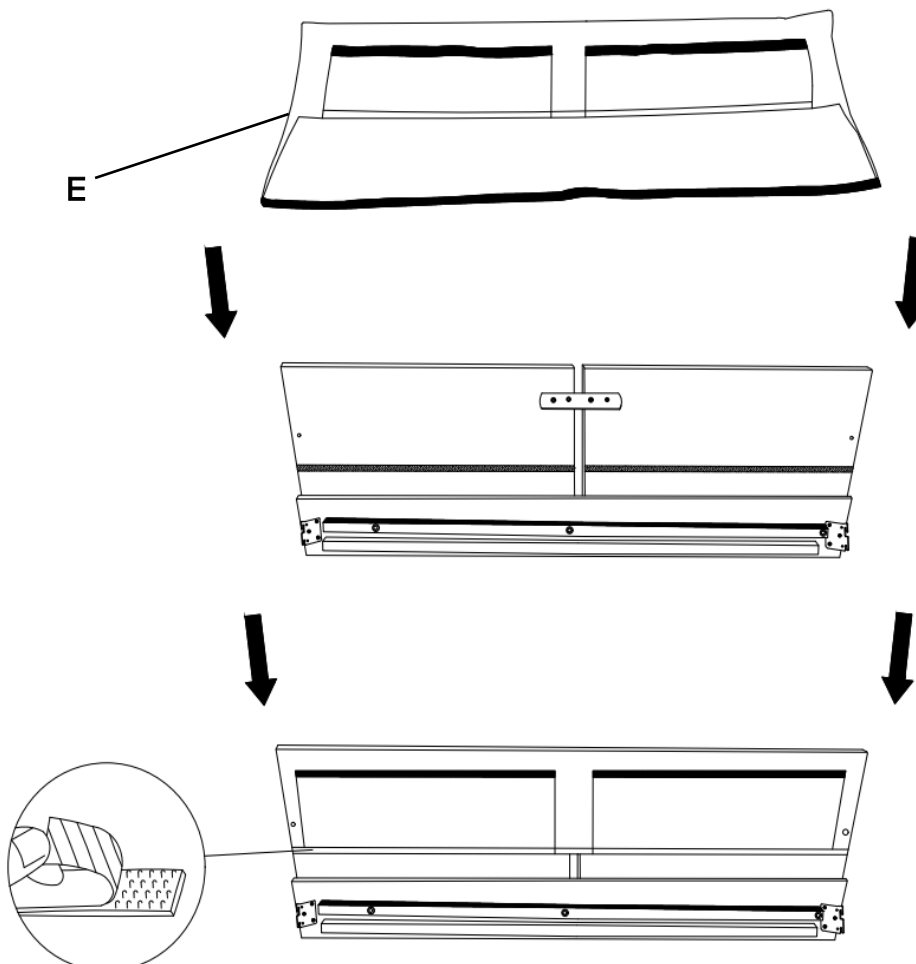


1 Sofa Assembly – Installation Steps

Step2 Use a screw (Q) to fasten the flat patch (O), which is shaped like a dash, between the two backrests (C) by threading it through the iron washer (S), and tighten it with a wrench (J).



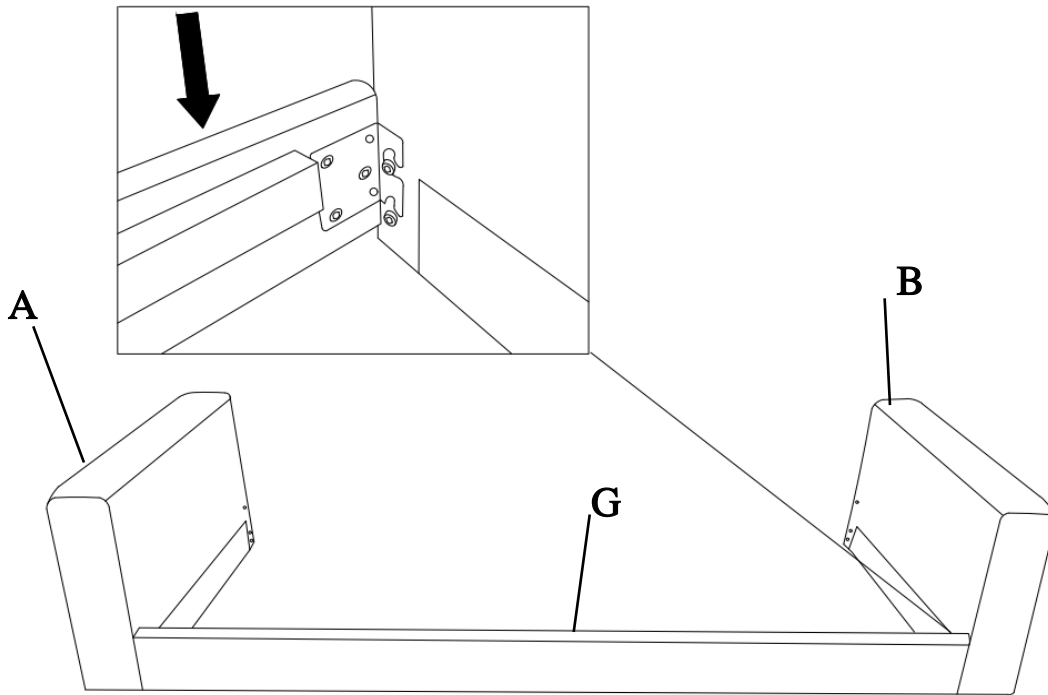
Step3 Attach the back cover (E) to the backrest, and fasten the Velcro strips on the front and back of the backrest.



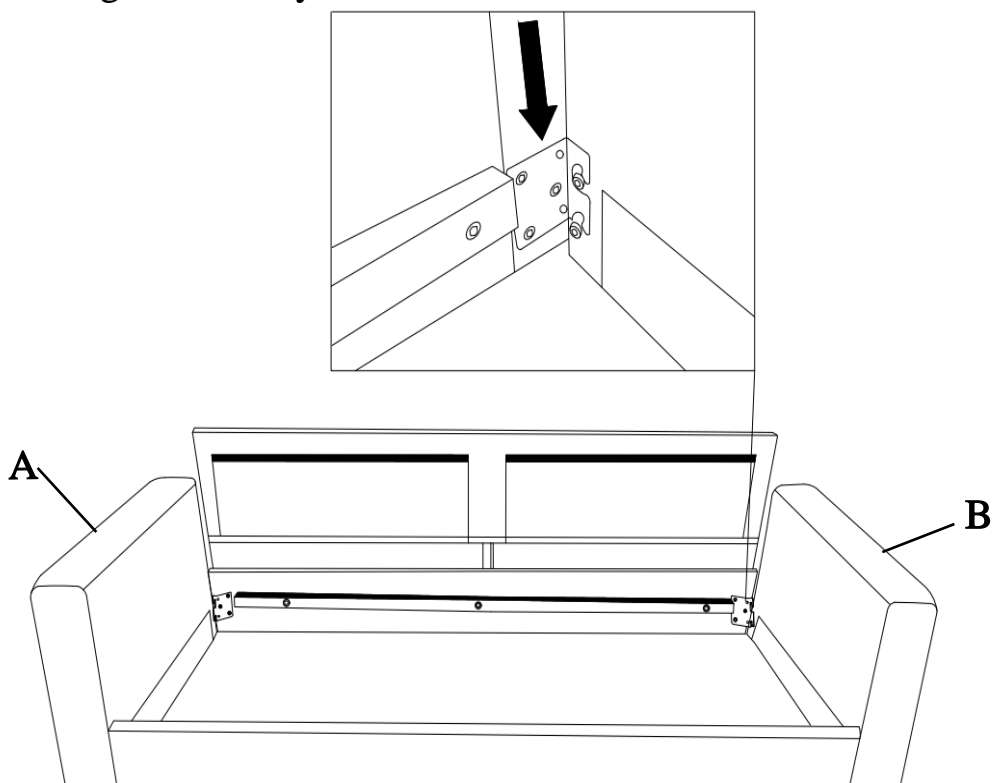
2 Sofa Assembly – Installation Steps

Step4

The installed front panel is placed (G) on the inner-side screws in front of the left and right armrests (A & B) using hanging clips. Note: Do not tighten them yet.



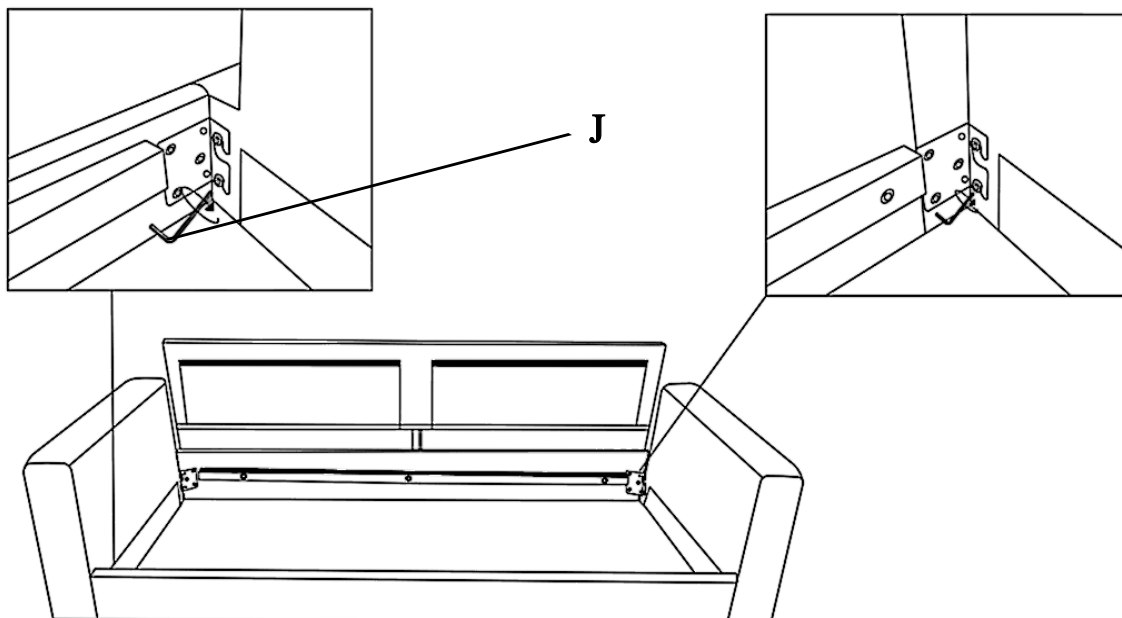
Step5 The installed backrest is placed on the inner-side screws behind the left and right armrests (A & B) using hanging clips. Note: Do not tighten them yet.



3 Sofa Assembly – Installation Steps

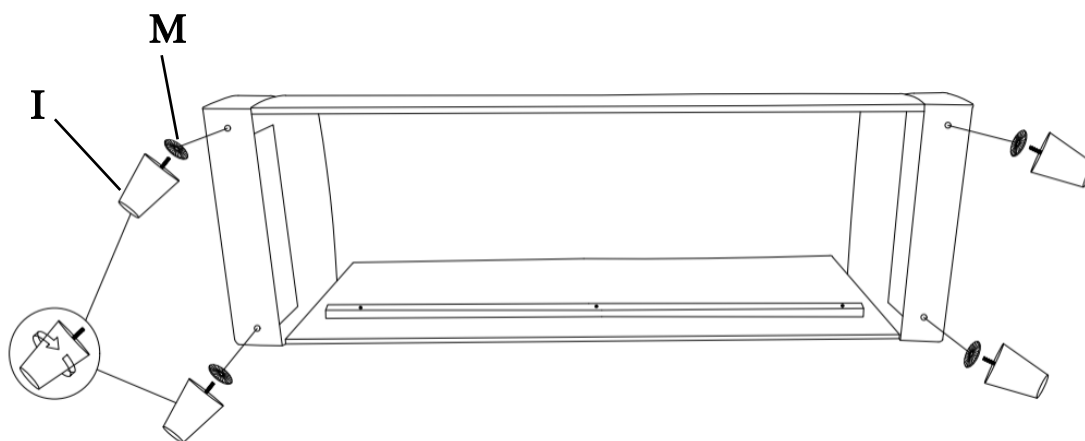
Step6

Tighten the handrail (A & B) screws using the wrench (J).



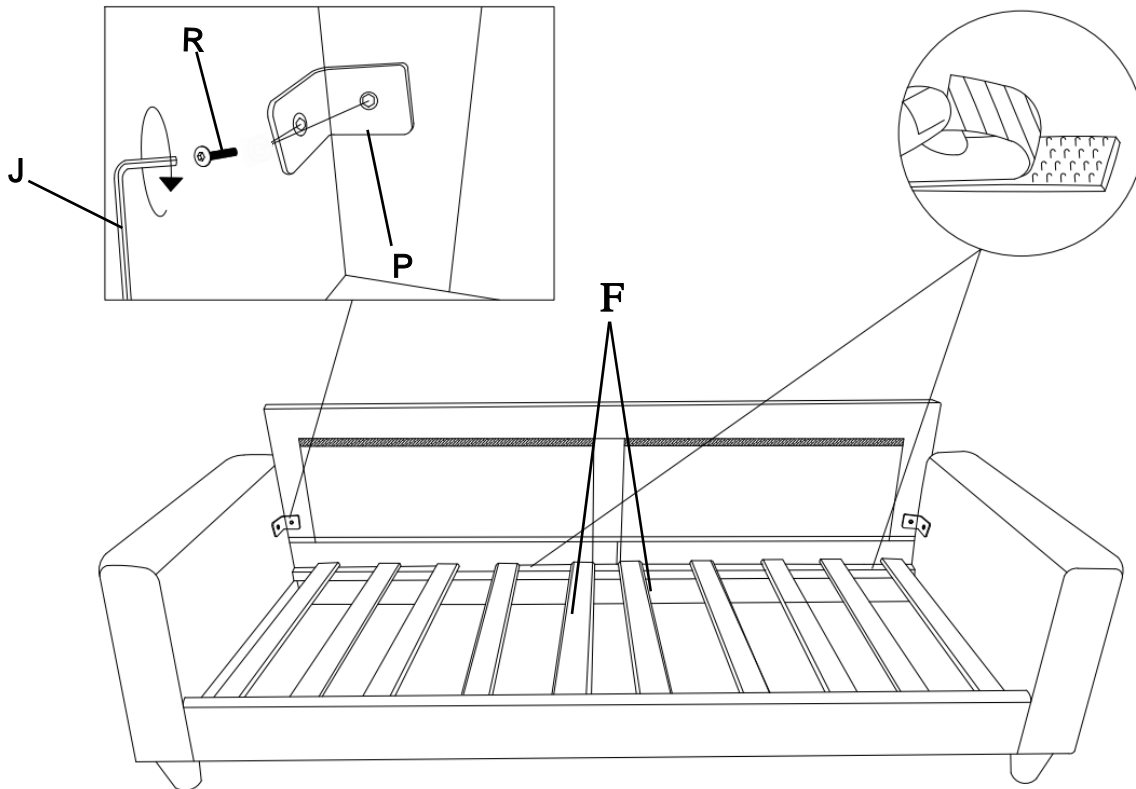
Step7

Use your hands to secure the plastic feet (I*4) and plastic washers (M*4) to the four corner mounting holes.

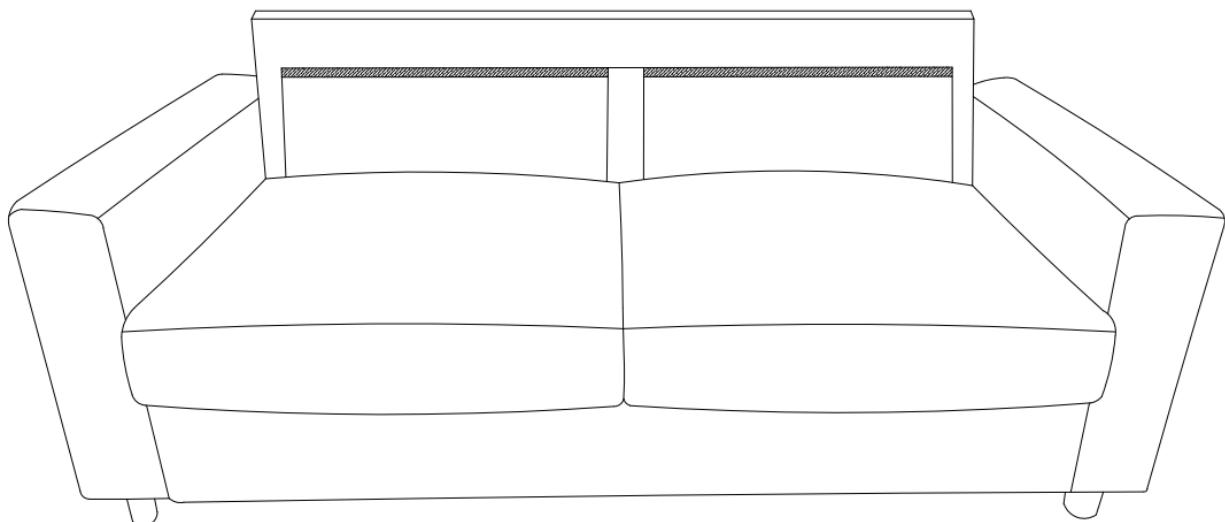


4 Sofa Assembly – Installation Steps

Step8 Insert the screw (R) through the L-shaped angle bracket (P) and use the wrench (J) to tighten it into the hole located between the left and right armrests and the backrest. Attach the rib strips (F*2) to the middle crossbar of the front panel and the backrest. Note: The rib strips attached to the crossbar have Velcro fasteners on both sides, facing downward.

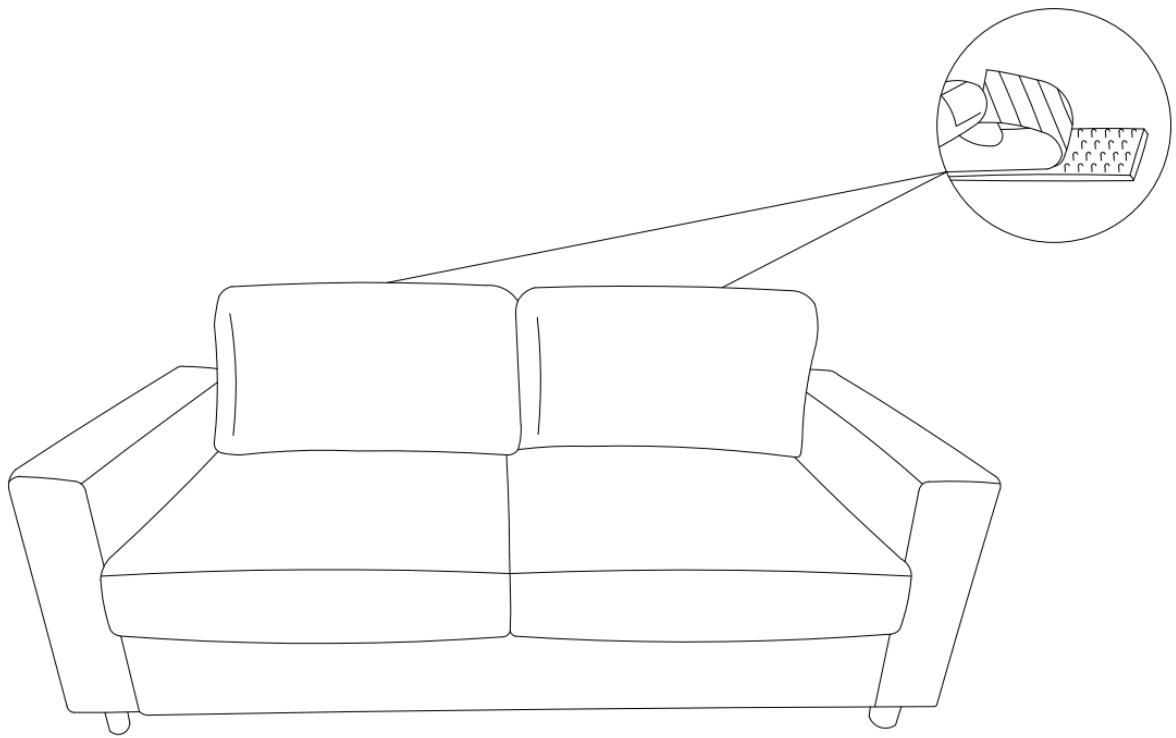


Step9 Place the cushion bags (N*2) on the left and right sides above the ribs, and secure them in place.

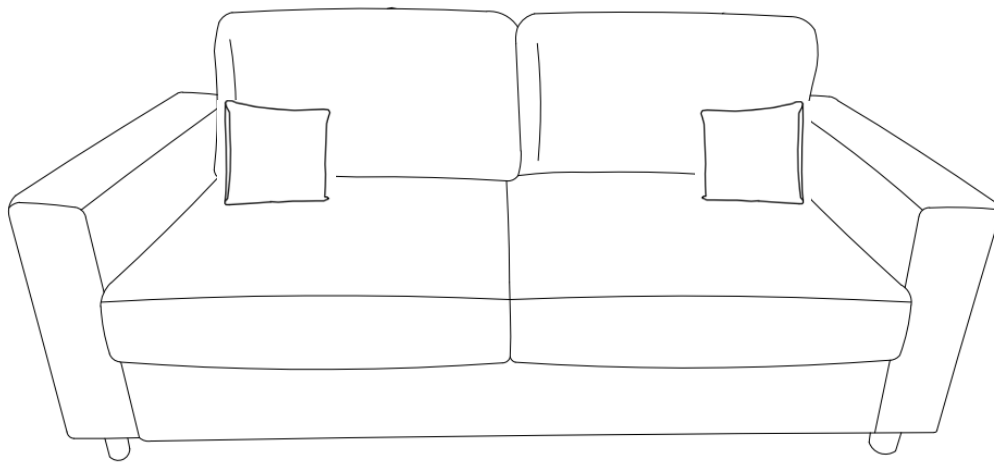


5 Sofa assembly—assembly completed

Step10 The backrest (D*2) is placed on top of the cushion bag, and the Velcro on its back side sticks to the Velcro on the backrest.

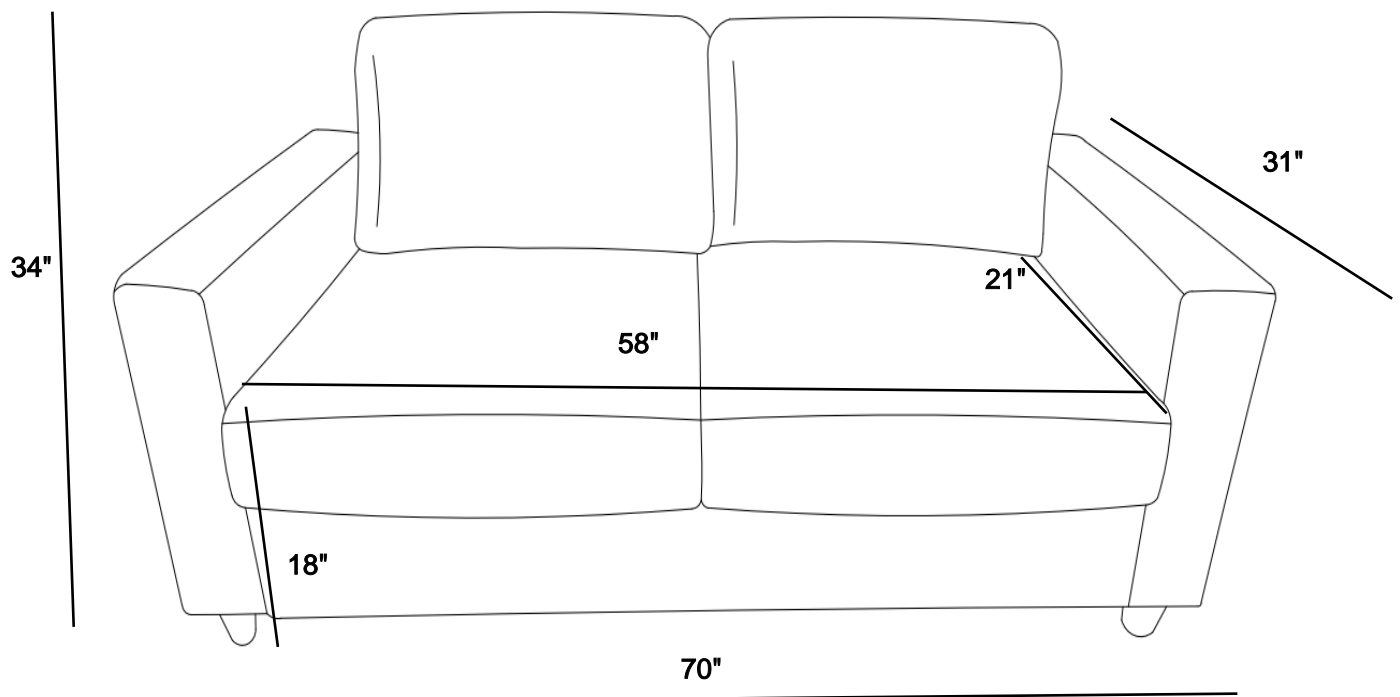


Step11 Place a pillow



6 Sofa assembly—assembly completed

Product dimensions



Double fixe
SS5672A

Warnings

1. Please check if the components of the chair are all included and can be used normally.
2. Assemble all components according to the instruction correctly before you connect the chair to the power.
3. Please DO NOT sit on the armrests or footrest to eliminate the risk of tipping over.
4. If the chair is damaged or doesn't match the website description, please send clear pictures of the product and label of the carton to our service team for further help.
5. If the recliner doesn't work, you may try the following measures for self-checking firstly:
 - a) Check if all the cables are connected;
 - b) Check if the light of transformer is on.

If the chair still doesn't work, please feed the information back to our customer service in time and we'll help you solve the matter as soon as possible.

6. If you have any questions with the product, please contact us by:

Email: customerservice@zoy-living.com (we will reply to you within 24 hours)

