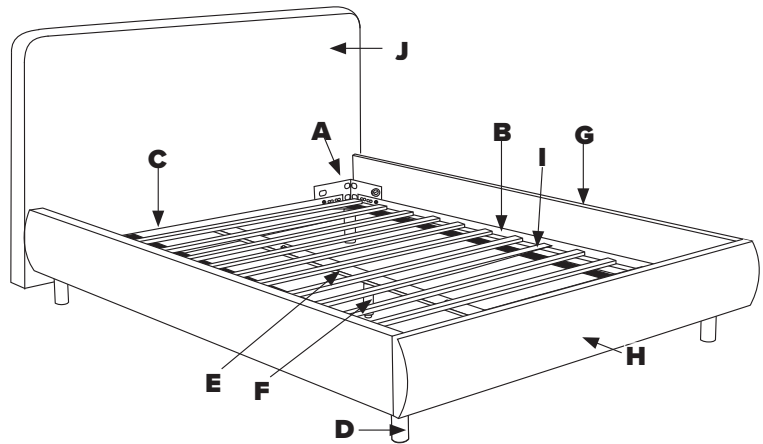


TWIN PLATFORM BED ASSEMBLY















Components

ITEM	DESCRIPTION	QTY
A	Metal Corners	4
B	Metal Side Rail	2
C	Metal End Rail	2
D	Corner Leg	4
E	Center Support Rail	1
F	Center Support Leg	1
G	Upholstered Side Rail	2
H	Upholstered Foot Rail	1
I	Wooden Slat Roll	1
J	Headboard	1



Please note: Wooden slat roll (located in headboard box)

HARDWARE

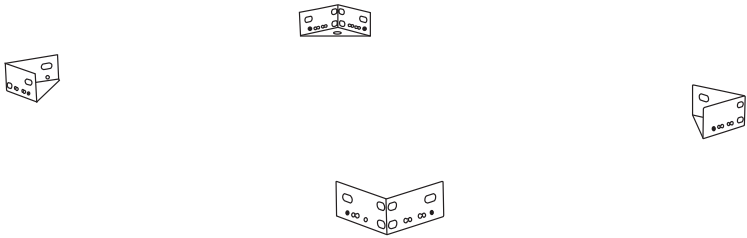
(H1) x 10	— 1/4" bolt		(H10) x 1	— Larger L wrench	
(H2) x 20	— 1/4" nut		(H11) x 1	— Wrench	
(H3) x 4	— 3/4" x 5/16" bolt		(H12) x 8	— 3/4" screw optional	
(H4) x 4	— 3/4" washer larger hole		(H13) x 2	— L bracket optional	
(H5) x 5	— 1" - 1/4" washer		(H14) x 4	— 3" x 5/16" bolt	
(H6) x 7	— 3/4" washer smaller hole				
(H7) x 18	— 1" x 5/16" bolt				
(H8) x 22	— 1 1/4" washer				
(H9) x 1	— Smaller L wrench				

Please note: you will need a flat head screwdriver to assemble your bed frame.

Step 1

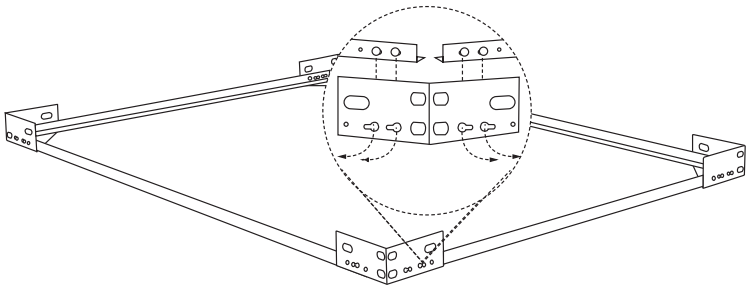
1.1

Place (A) metal corners in a rectangular shape roughly the size of your mattress.



1.2

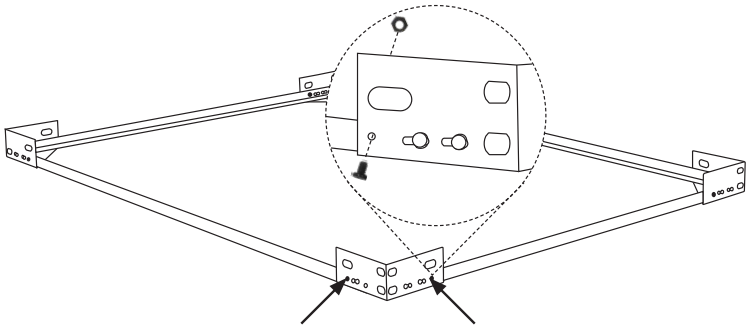
Lay (B) and (C) metal rails into (A) metal corners to create the shape of your bed frame. Snap into place.



1.3

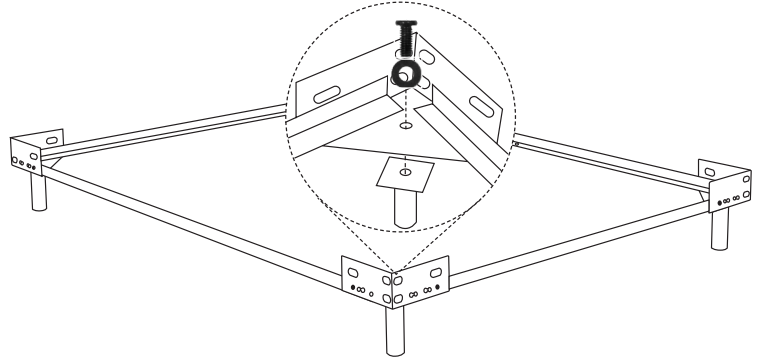
Secure (B, C) metal rails to (A) metal corners using (H1) bolts and (H2) nuts. Tighten using (H9) L wrench and (H11) wrench.

Please note: (H2) nuts should be on the inside of the frame.



1.4

Carefully attach (D) corner legs underneath (A) metal corners using (H3) bolts and (H4) washers. Tighten using (H10) L wrench.

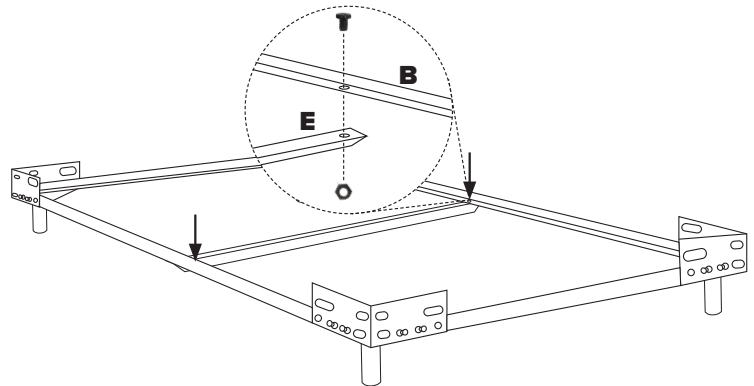


Step 2

2.1

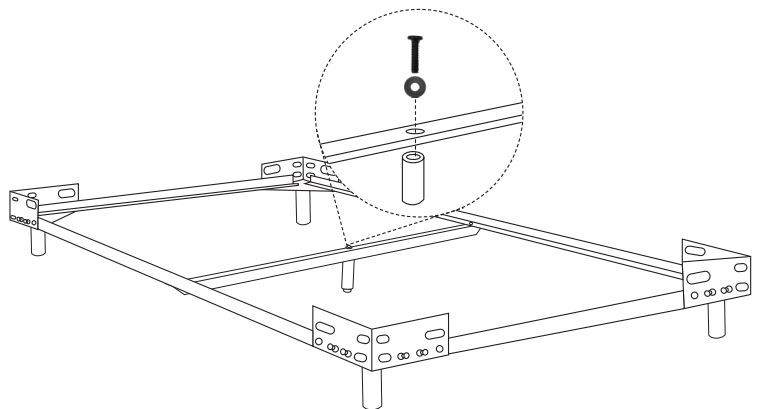
Align holes of (E) center support rail with holes on (B) metal side rails. Attach using (H1) bolts and (H2) nut. Tighten using (H9, H11) wrenches.

Please note: (E) center support rail attaches underneath (B) metal side rails.



2.2

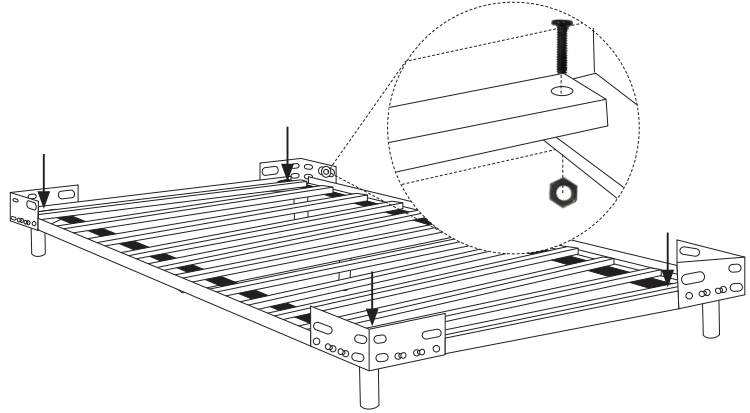
Attach (F) center support legs to (E) center support rail using (H5) bolts and (H6) washer. Tighten using (H9) L wrench.



2.3

Carefully place the (J) wooden slat roll onto the bed frame. Attach using (H5) bolts and (H2) nuts. Tighten with (H9, H11) wrenches.

Please note: The black band that holds the slats together should face the floor.

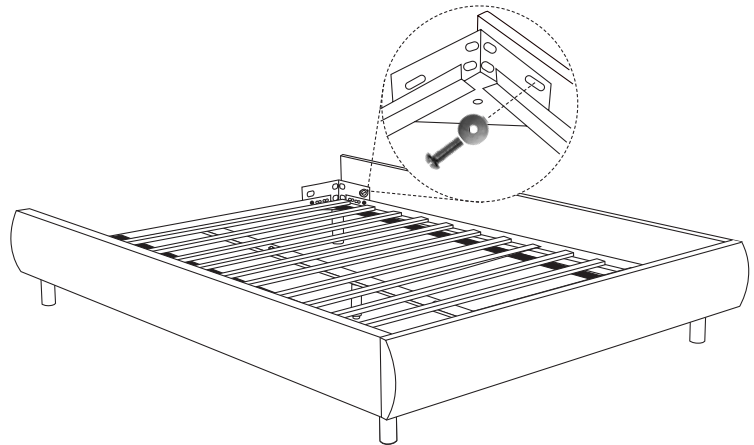


Step 3

3.1

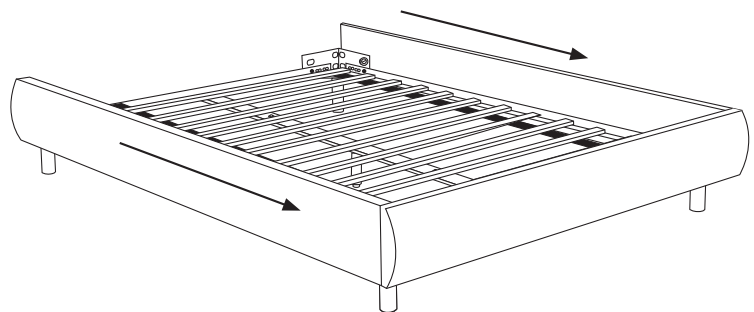
Loosely attach (G, H) upholstered rails to bed frame using (H7) bolts and (H8) washers.

Please note: when attaching, the longer side of (G) rail should face the ground.



3.2

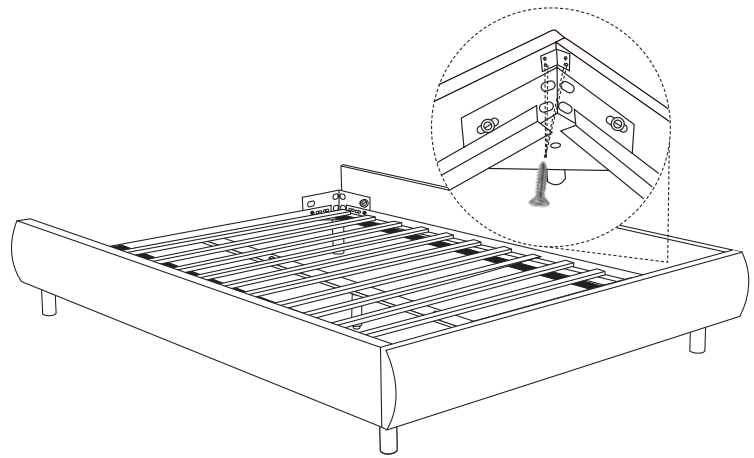
Push (G) upholstered side rails toward (H) upholstered foot rail to eliminate any gaps. Tighten (G) upholstered side rails first, then (H) upholstered foot rail using flat head screwdriver.



3.3 (OPTIONAL)

To reinforce stability of (G, H) upholstered rails, use a phillips screwdriver to attach (H13) L brackets using (H12) screws.

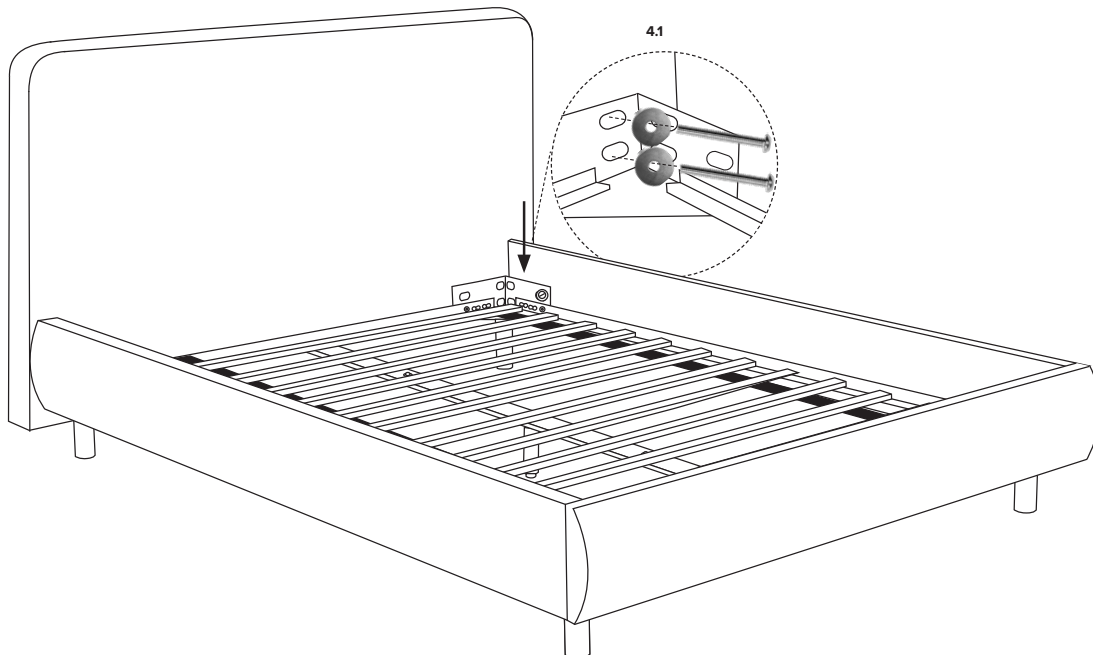
Please note: this requires screwing (H12) directly into the upholstered side rail.



Step 4

4.1

Tightly attach (K) headboard to the metal bed frame using (H14) bolts, (H8) washers and a flat head screwdriver.



Warranty

LIMITED WARRANTY

Skyline Furniture Inc. guarantees its upholstered furniture against defects in construction for a period of one (1) year. When a structural defect is brought to our attention, we will repair or replace it at our option at no charge to the customer (includes parts and labor, not transportation costs). Fabric wearability for upholstered furniture is not covered by the warranty. Vacuum for regular cleaning.

Please dispose of plastic bag(s) and carton(s) responsibly.

LIMITE DE GARANTIA

Skyline Furniture Inc. garantiza sus muebles tapizados contra defectos en construcción por un período de un (1) año. Cuando un problema de estructura es traído a nuestra atención, nosotros repararemos o reemplazaremos sin ningún cargo a nuestro cliente (incluye partes y trabajo, no costo en transportación). Descoloramiento del material de muebles tapizados no es cubierto por la garantía. Regularmente puede aspirar.

Por favor tirar bolsa(s) y caja(s) responsablemente.

GARANTIE LIMITÉE

Skyline Furniture Inc. garantiza sus muebles tapizados contra defectos en construcción por un período de un (1) año. Cuando un problema de estructura es traído a nuestra atención, nosotros repararemos o reemplazaremos sin ningún cargo a nuestro cliente (incluye partes y trabajo, no costo en transportación). Descoloramiento del material de muebles tapizados no es cubierto por la garantía. Regularmente puede aspirar.

Por favor tirar bolsa(s) y caja(s) responsablemente.