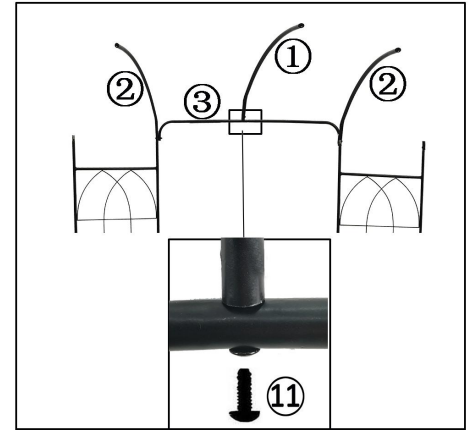
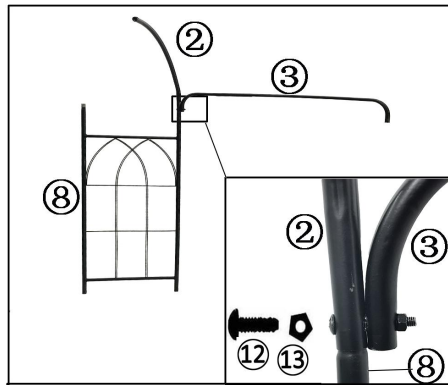
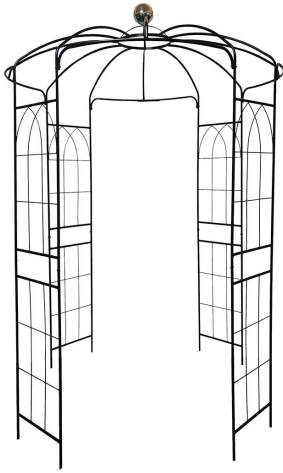


INSTRUCTION

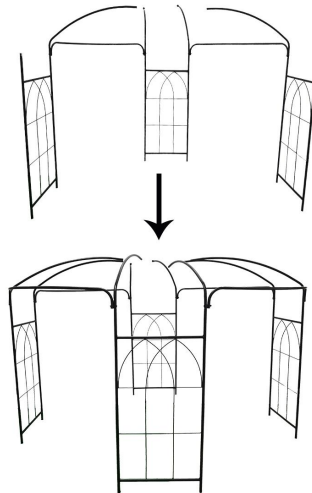
Step 1 Connect ②③⑧ with ⑫⑬.

Step 2 Connect ①③ with ⑪.

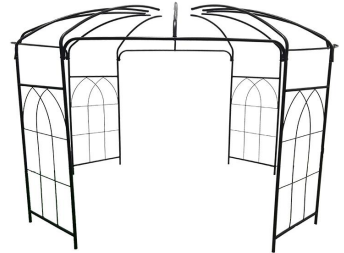


①		4 pcs	⑧		4 pcs
②		8 pcs	⑨		4 pcs
③		4 pcs	⑩		8 pcs
④		1 pc	⑪		16 pcs
⑤		2 pcs	⑫		8 pcs
⑥		1 pc	⑬		18 pcs

The effect.



The effect.



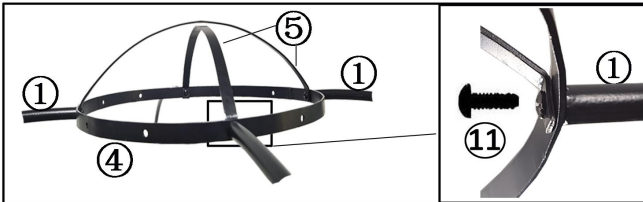
Notes:

① At least 2-3 person are required to assemble this pavilion.

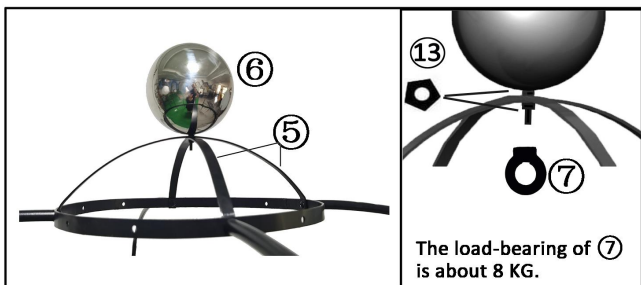
② The assembly video can be found in the product link.

P1

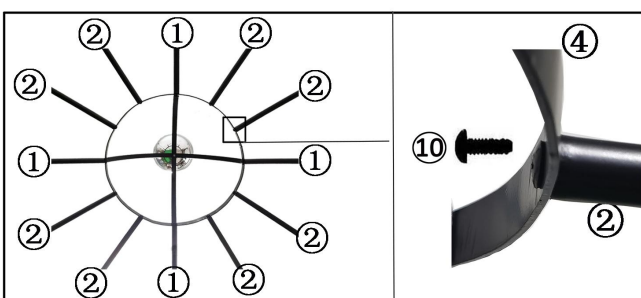
Step 3 Connect ①④⑤ with ⑪.



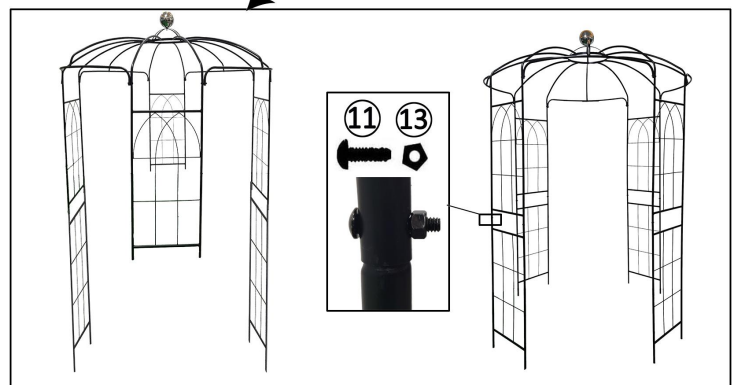
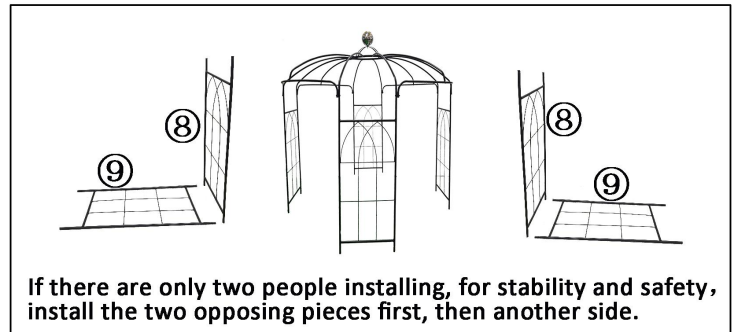
Step 4 Connect ⑤⑥ with ⑬, then connect ⑦ to ⑥.



Step 5 Connect 8pcs ② to ④ with ⑩.



Step 6 The part is finished, then connect ⑨ to ⑧ with ⑪⑬.



There are 8 grand nails for you to make the pavilion more stable.

P2