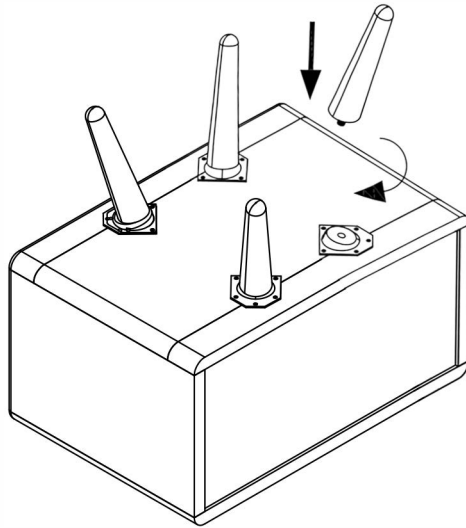


# Bedside Cupboard Assembly Instructions

## Step:

Place the cabinet upside down or sideways, and assemble four legs



## Details:

