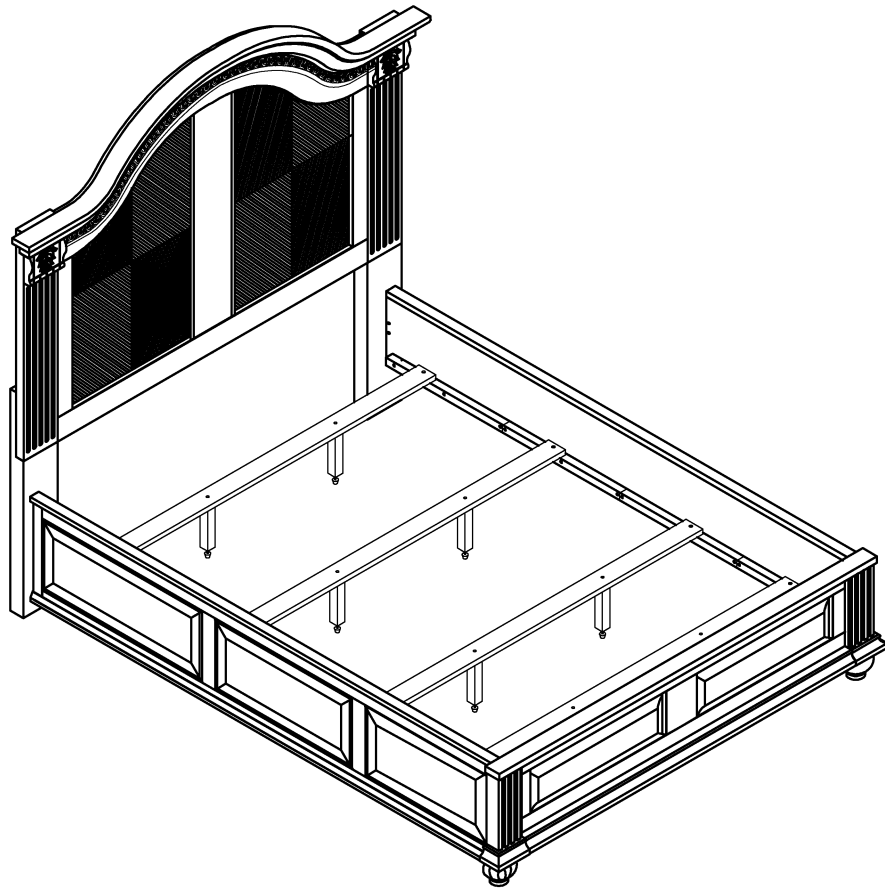


Assembly Instructions



ASSEMBLY RATING

The Assembly Rating is a 5-point system that shows the degree of effort needed in assembling a specific product (with 1 being easy and 5 being difficult). For some products, two persons are recommended.

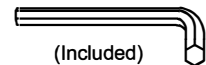
EASY



DIFFICULT

Tools Required For Assembly:

Allen Wrench



(Included)

Phillips Screwdriver



(Not Included)

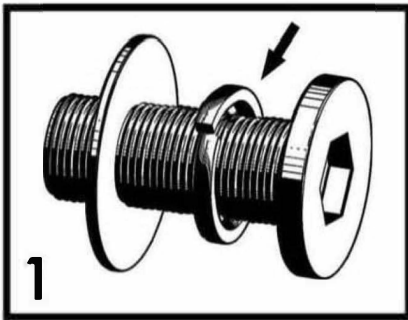


2 PERSONS RECOMMENDED

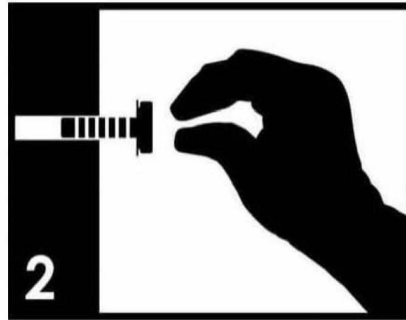
ASSEMBLY & CARE ADVICE

FOR YOUR FURNITURE TO LAST, CORRECT ASSEMBLY AND PROPER MAINTENANCE ARE NECESSARY. PLEASE FOLLOW THE INFORMATION PROVIDED BELOW TO FULLY ENJOY YOUR FURNITURE.

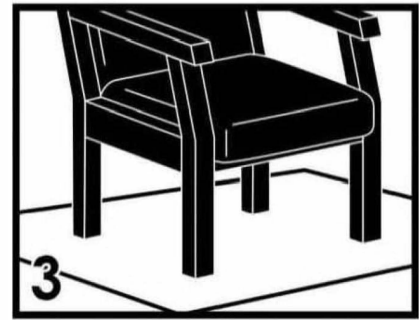
BASIC ASSEMBLY TECHNIQUES



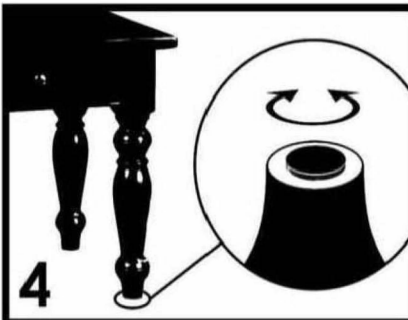
1
When lock or spring washer is used in an assembly, please make sure the lock or spring washer is placed between the larger flat washer and the head of the screw or bolt.



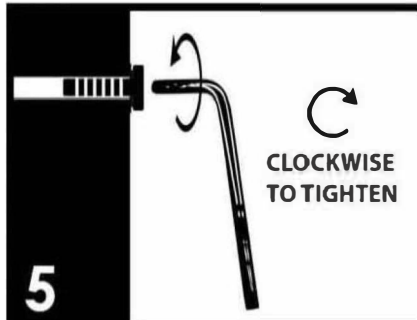
2
Position each part correctly and insert screws or bolts into their respective holes by hand tighten or using the proper hand tool. Only tighten when step is completed or when instructed to do so.



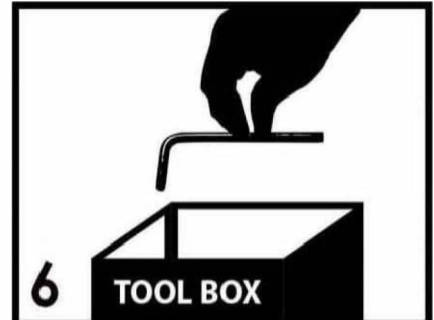
3
Use cardboard or carpet area when assembling furniture to prevent scratches. Make sure the furniture rests on a flat and level surface with each leg evenly touching the floor.



4
Some furniture comes with height adjustment knobs underneath each leg. To lower or to raise each leg, you need to turn clockwise or counterclockwise, respectively.



5
Make sure all parts are properly aligned, then use the appropriate hand tool to completely tighten the bolts or screws. Do not use power tools and do not overtighten.

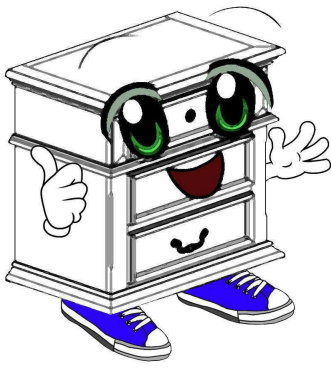


6
Save the instructions and store the Allen wrench or any supplied tool for later maintenance. After two weeks, check and tighten any loose hardware and repeat again every six months thereafter.

IT IS THE USER'S RESPONSIBILITY TO MAINTAIN THE FURNITURE. THE HARDWARE MAY LOOSEN OVER TIME AND MAY CAUSE THE FURNITURE TO BE WOBBLY AND UNABLE TO SUPPORT ITS INTENDED WEIGHT CAPACITY. THIS MAY LEAD TO COLLAPSE AND MAY CAUSE SERIOUS INJURY.



FAILURE TO FOLLOW THE GUIDELINES ABOVE MAY RESULT IN INJURY AND/OR PROPERTY DAMAGE.




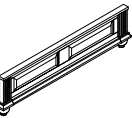
Before you begin, please read Page 2 of "Assembly and Care Advice".

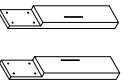
And remember, do not tighten until each step is completed or instructed.

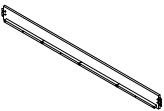
Parts List

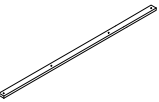
Hardware List

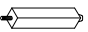
- 

#1 x 1pc
Headboard
- 


#2 x 1pc
Footboard
- 


#3 x 2pcs
Leg (LEFT & RIGHT)
- 


#4 x 2pcs
Side Rail
- 

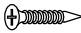
#5 x 4pcs
Slat
- 

#6 x 8pcs
Center Support

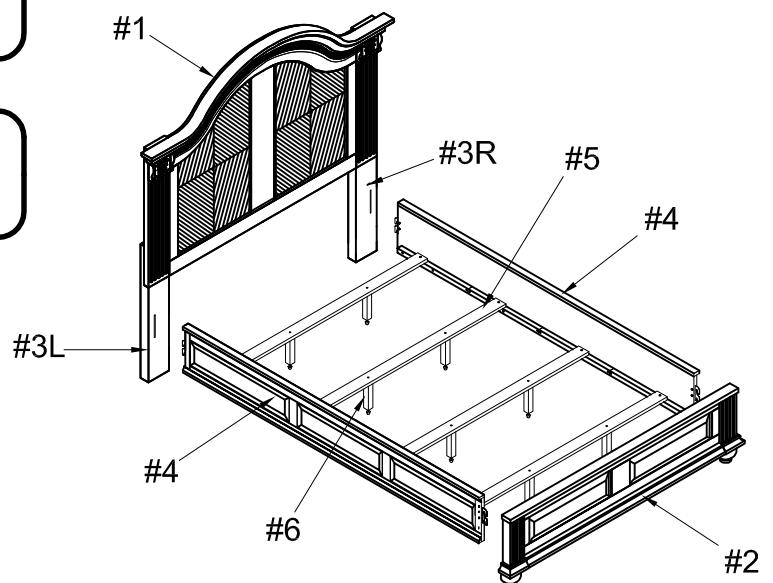
- 

#A x 8pcs
Bolt 5/16" X 1-3/8"
- 

#B x 8pcs
Flat Washer
- 

#C x 1pc
Allen Wrench
- 

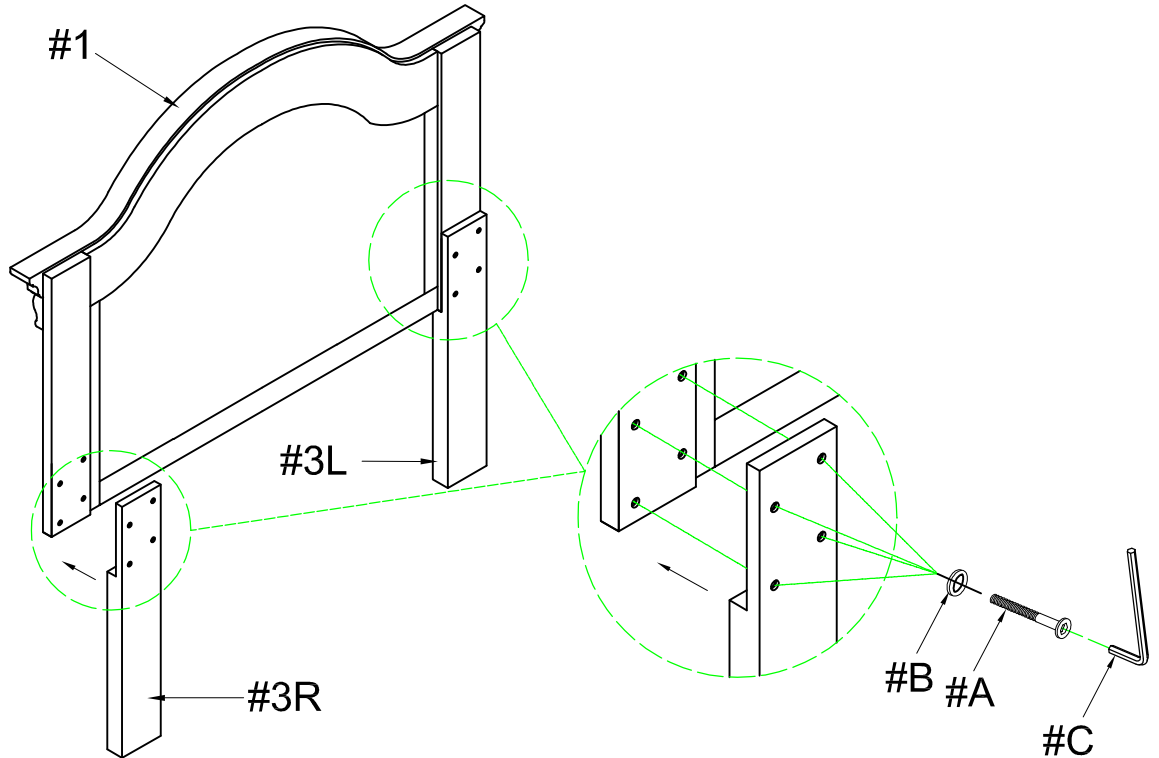
#D x 8pcs
Screw: 1/8" * 1-1/8"



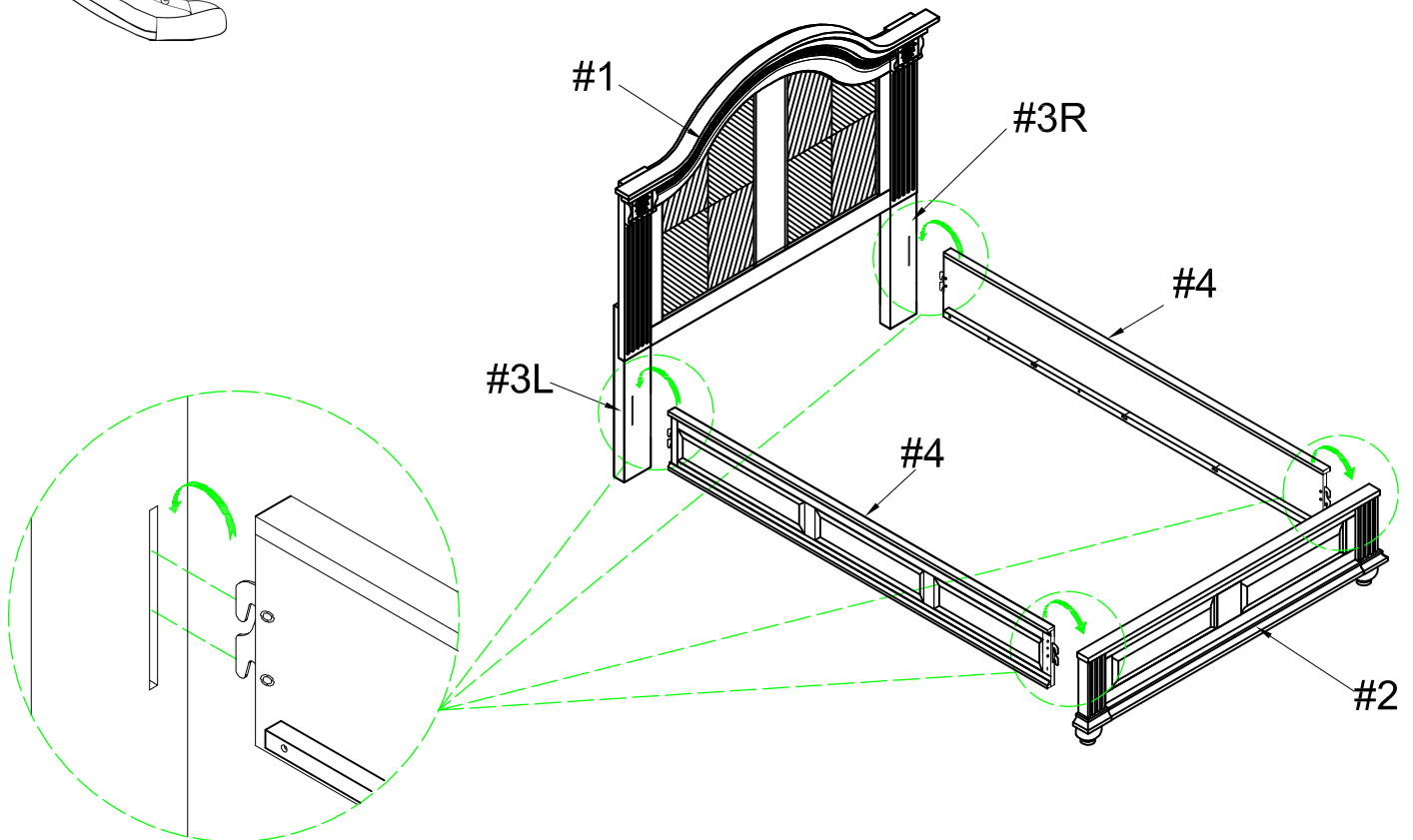


- I. Carefully place the headboard (#1) on a protected surface.
- II. Align the legs (#3L/R) to the pre-drilled holes along the back of the headboard.
- III. Prepare 8 bolt assemblies by inserting a flat washer (#B) onto the bolt (#A).
Insert into the holes and secure using the Allen wrench (#C).

#A x 8 pcs
#B x 8 pcs



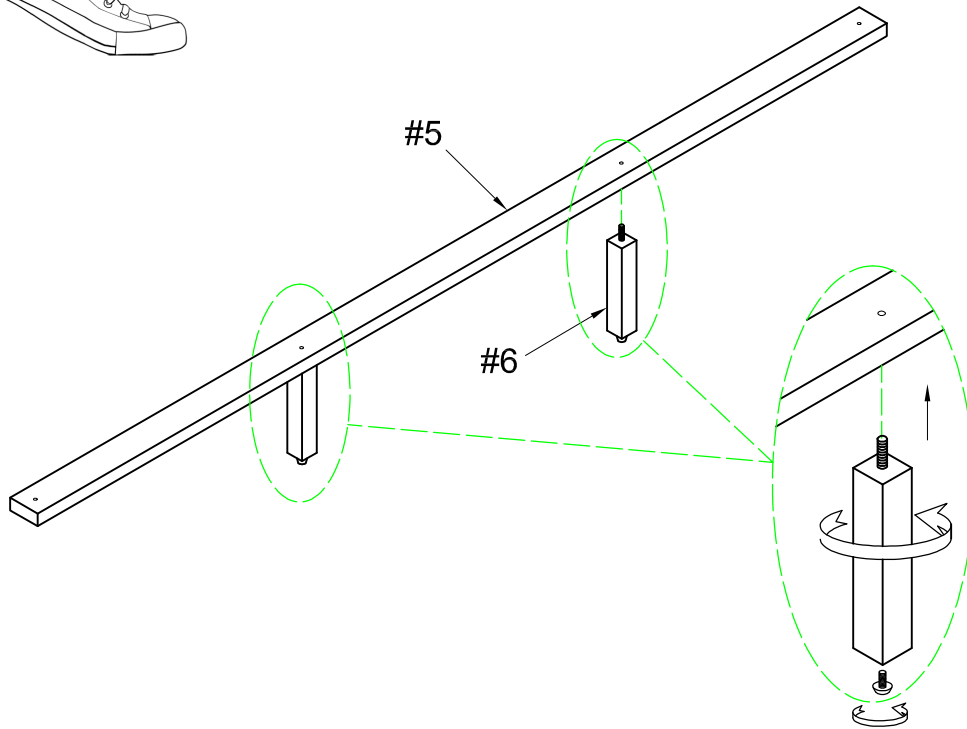
Insert the hooks on the ends of the side rails (#4) into the designated slots along the headboard (#1) and footboard (#2).





#3

Insert the threaded ends of the center supports (#6) into the pre-drilled holes along the slats (#5). 2 center supports on each slat.



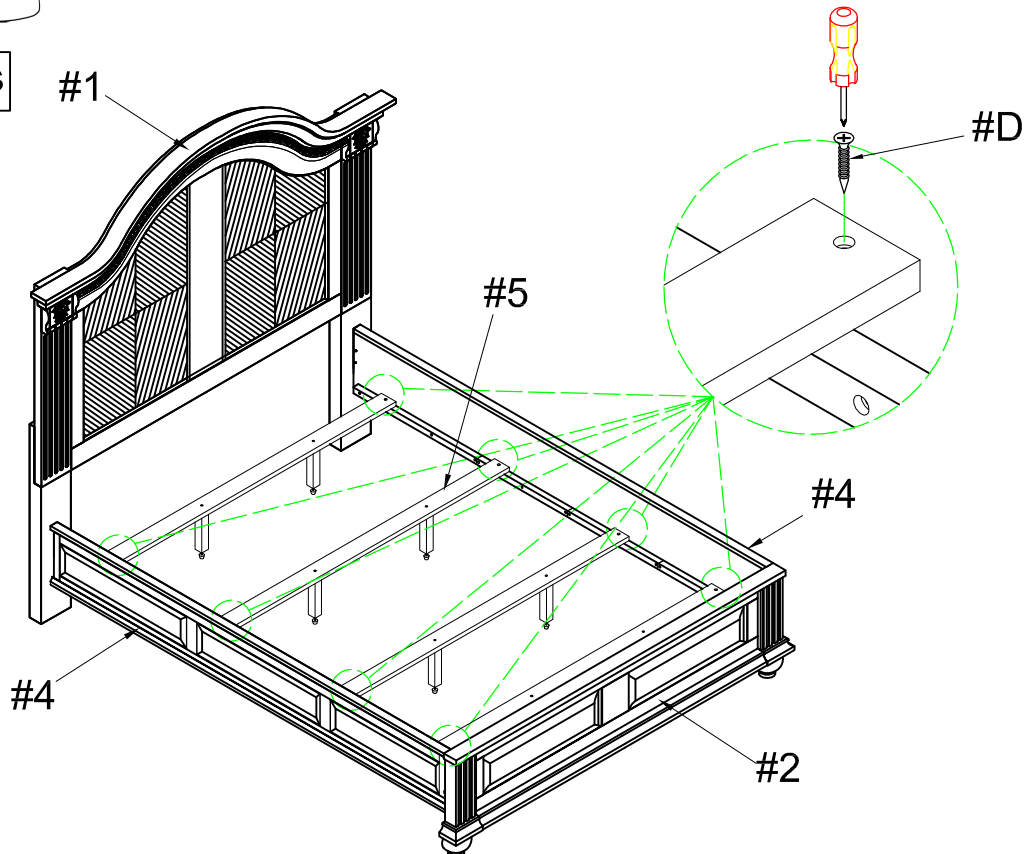
x 4



#4

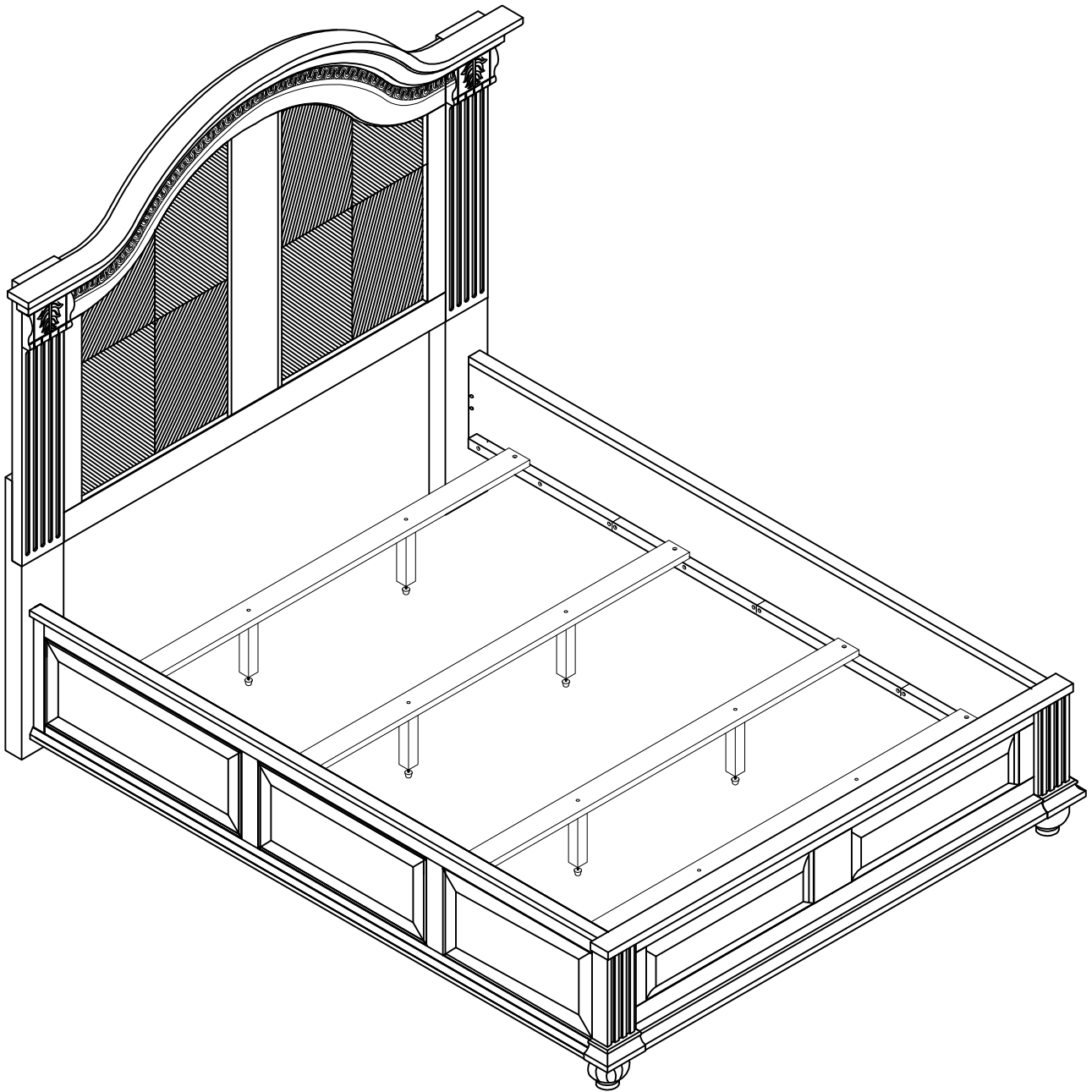
Align the ends of the slats (#5) to the side rails (#4). Insert a screw (#D) into each end and secure using a Phillips screwdriver.

#D x 8 pcs





Make sure all parts are firmly secured.



ASSEMBLY IS COMPLETED