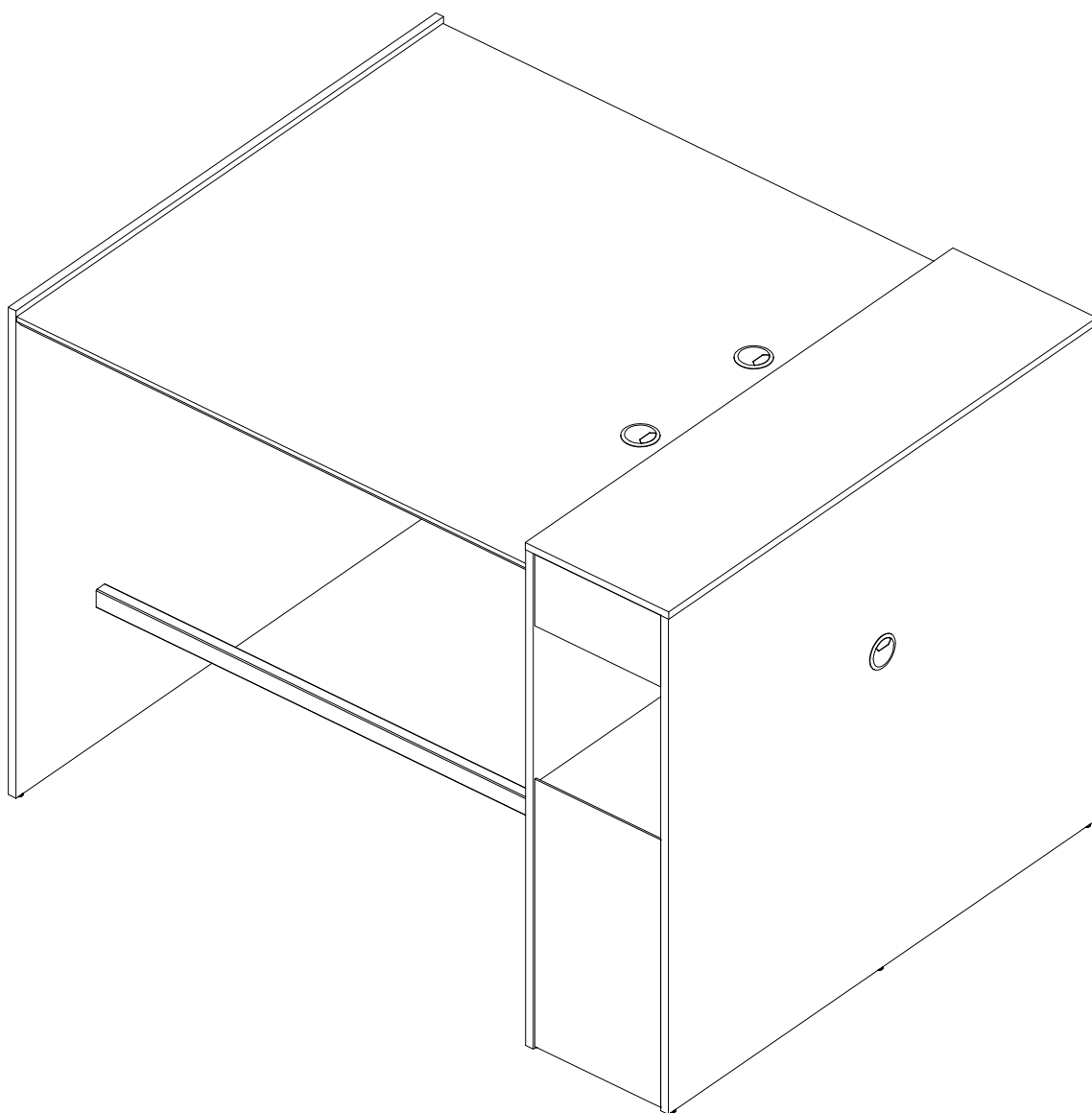


# ASSEMBLY INSTRUCTION

ITEM NO. HKOFDK018



# IMPORTANT NOTICE

## **Workspace Safety**

Keep the workspace clear of clutter and ensure it's well-lit. A clean, flat surface is essential.

## **Read Instructions**

Read the entire assembly guide before starting. Skipping steps can compromise safety.

## **Use Proper Tools**

Use the tools provided or recommended. Avoid overtightening screws.

## **Secure Furniture**

Anchor tall or heavy furniture to the wall to prevent tipping. This is crucial in homes with children or pets.

## **Handle Small Parts**

Keep small parts away from children and pets to avoid choking hazards.

## **Get Help**

Don't hesitate to ask for help with heavy or complex pieces.

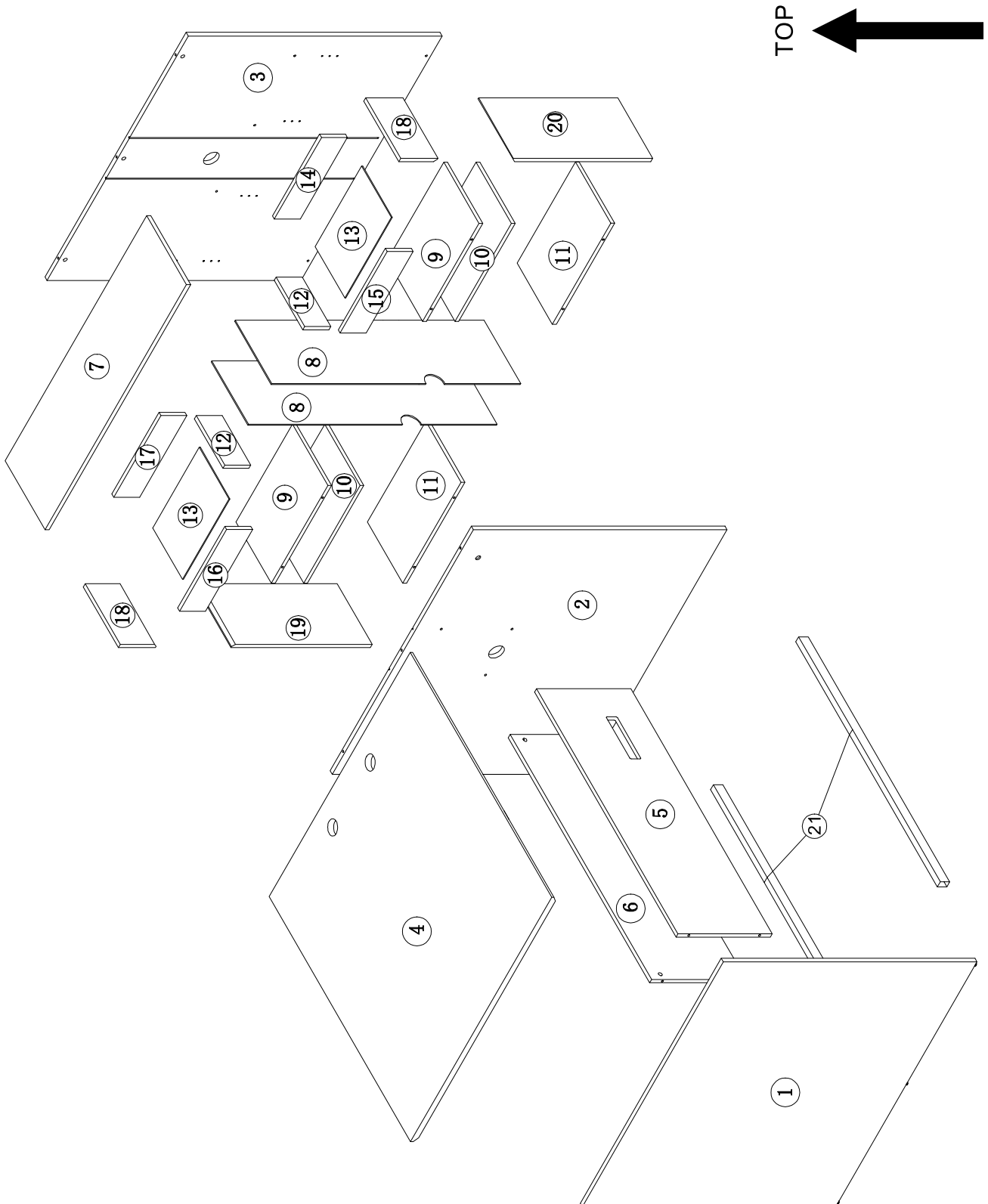
## **Inspect Regularly**

Periodically check for loose screws or wobbly parts and tighten as needed.

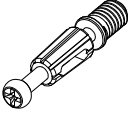
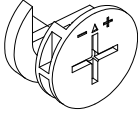

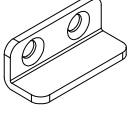
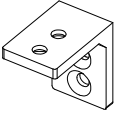
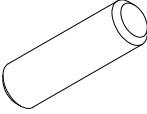
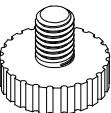
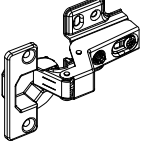
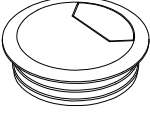
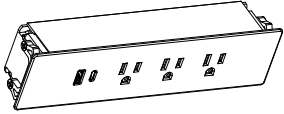
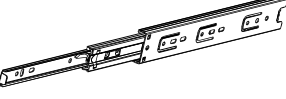
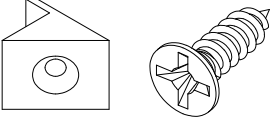
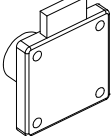
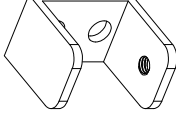
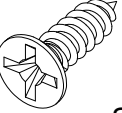
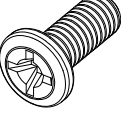
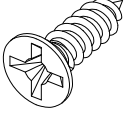


Follow these tips for a safe assembly process.

# ASSEMBLY DIAGRAM

1. Refer to the exploded view below for the approximate location of each component.
2. Each part is labeled for easy identification.
3. Follow the assembly instructions carefully to ensure proper installation.

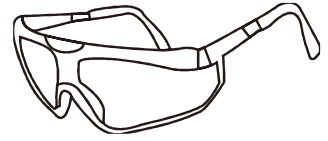
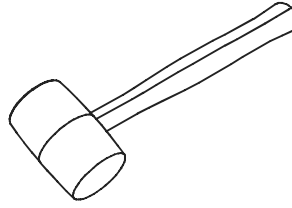
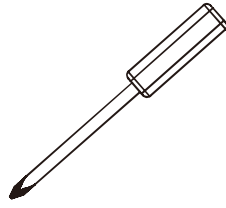
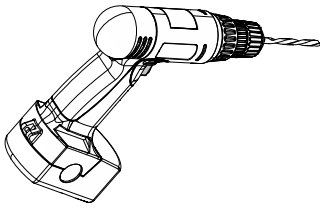


# HARDWARE LIST

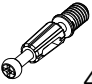
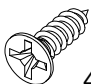
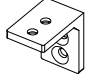
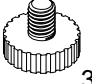


No.	Description	QTY	No.	Description	QTY
A		48	L		48
B	 ST4.2X14	40	M		2
C		4	N		8
D		9	P		4
E		4	Q		2
F		4	S		12
G		2	T		4
H	 ST2.9X12	28	U	 M6X15	8
J	 ST4.2X20	12	V	 M6X10	4
K		32			

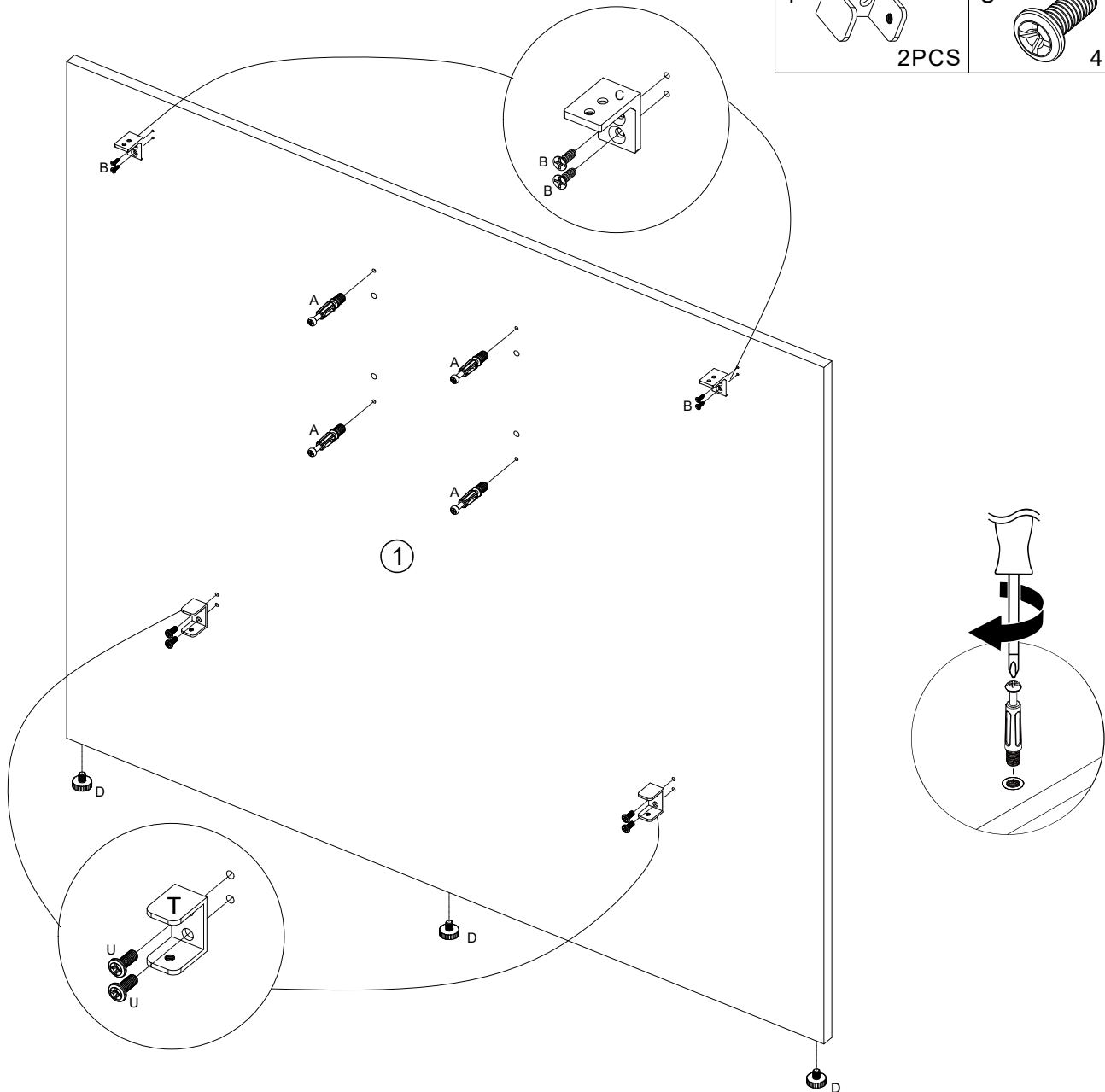
**CAUTION:** Please confirm the parts list before installtion.

# YOU MAY NEED (NOT SUPPLIED)

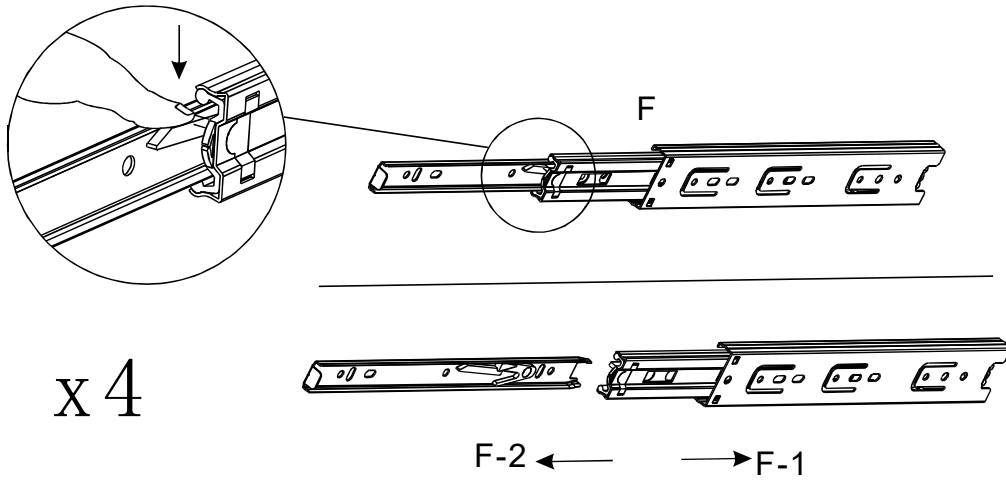


# 1

A  4PCS	B  4PCS	C  2PCS	D  3PCS
T  2PCS	U  4PCS		



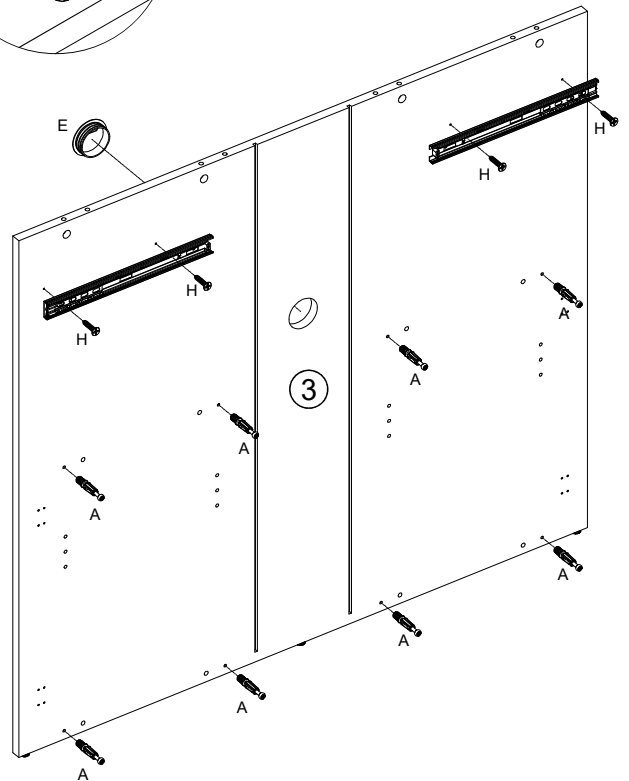
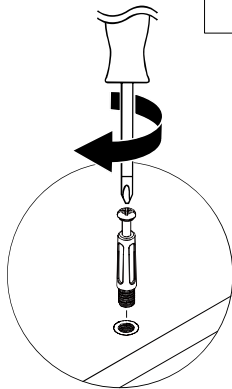
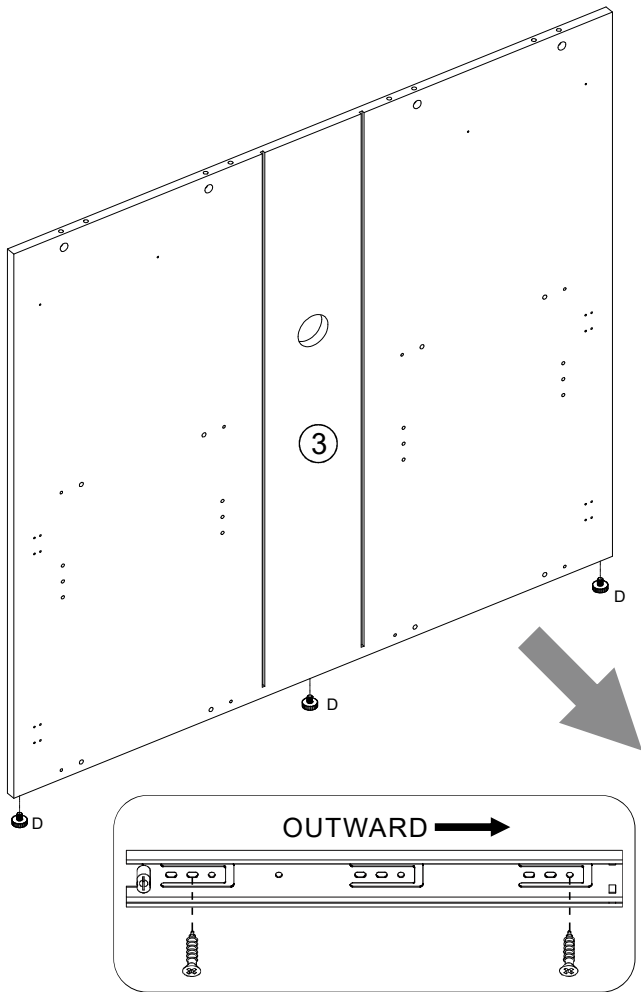
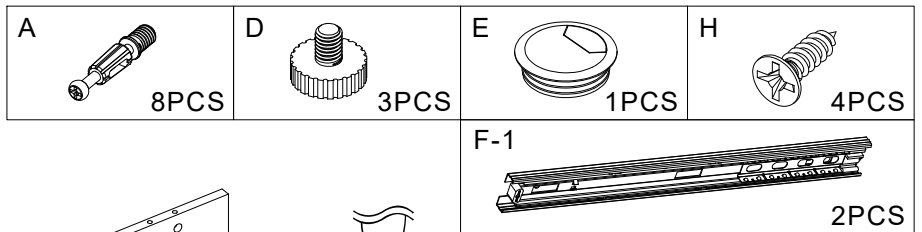
# 2



x 4


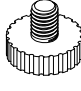
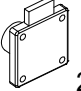

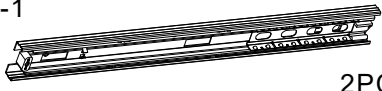

Press the button and extend the slide slowly. Then separate it with the release latch. Repeat these steps for the other slides.

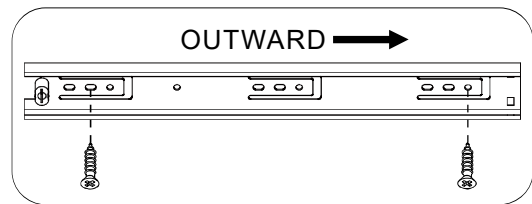
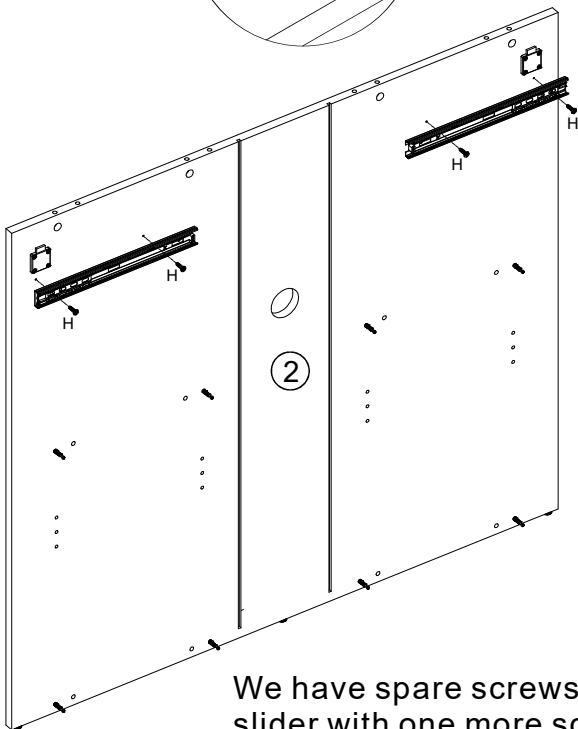
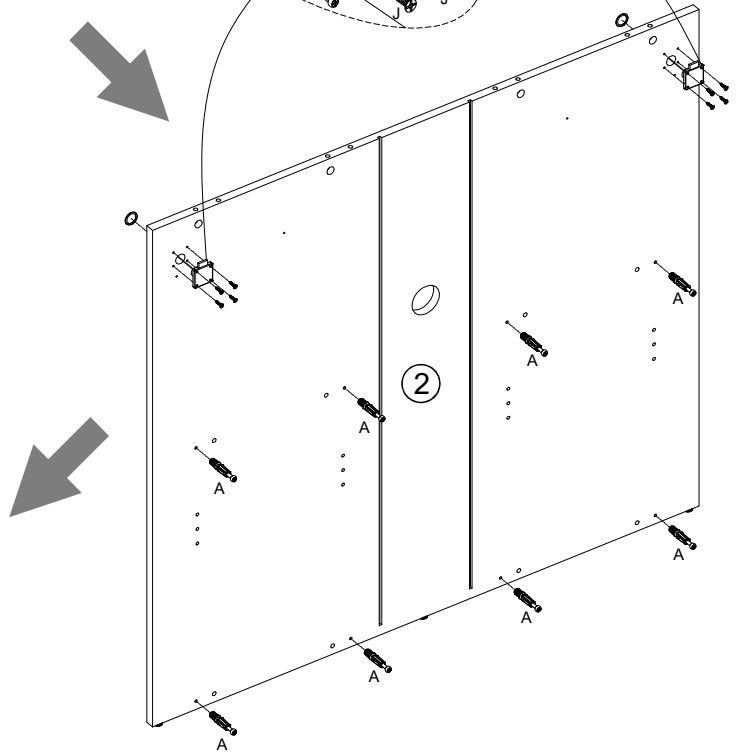
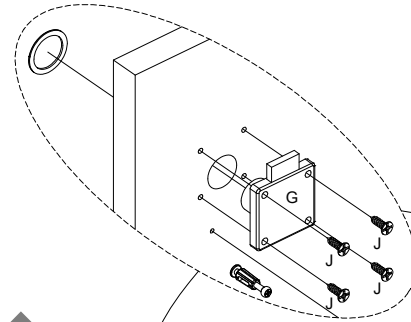
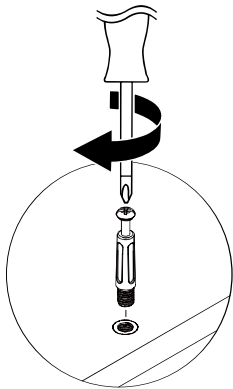
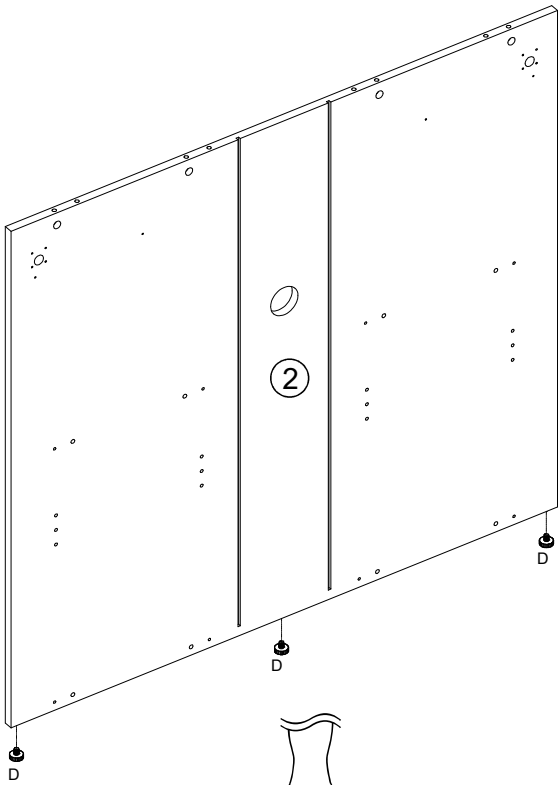
# 3



We have spare screws in the package in case you want to secure the slider with one more screw in either remaining hole.

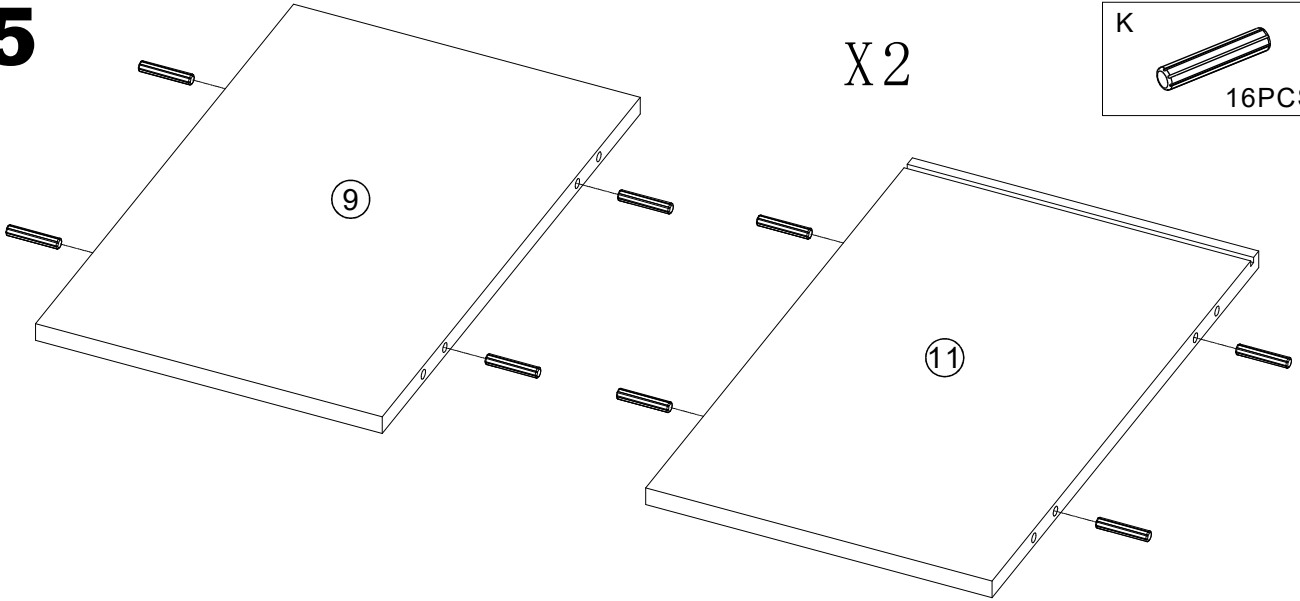
# 4

A		D		G		H	
	8PCS		3PCS		2PCS		4PCS
		F-1		J			
			2PCS		8PCS		

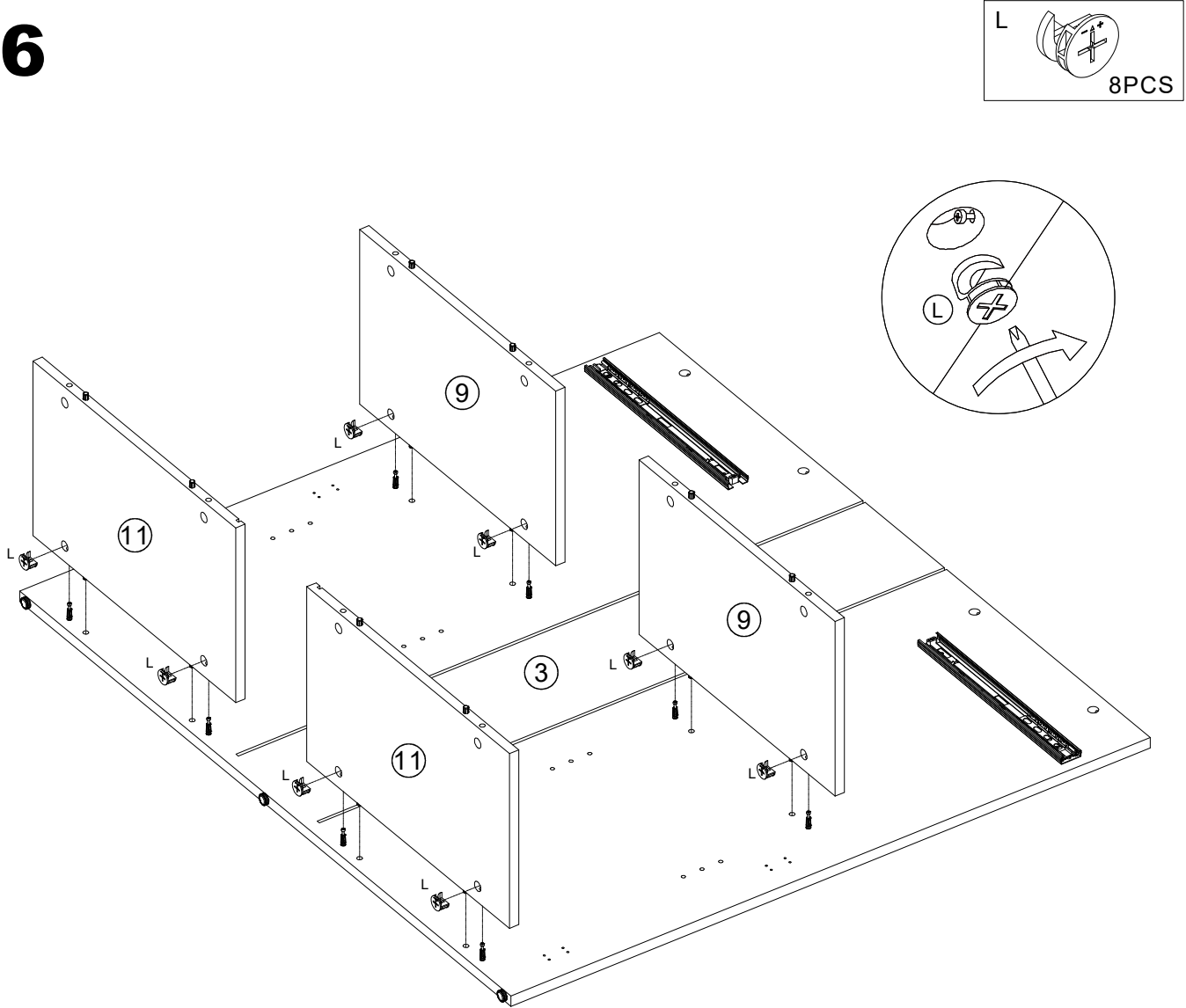


We have spare screws in the package in case you want to secure the slider with one more screw in either remaining hole.


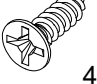
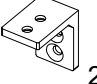


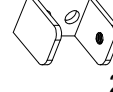
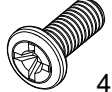
**5**

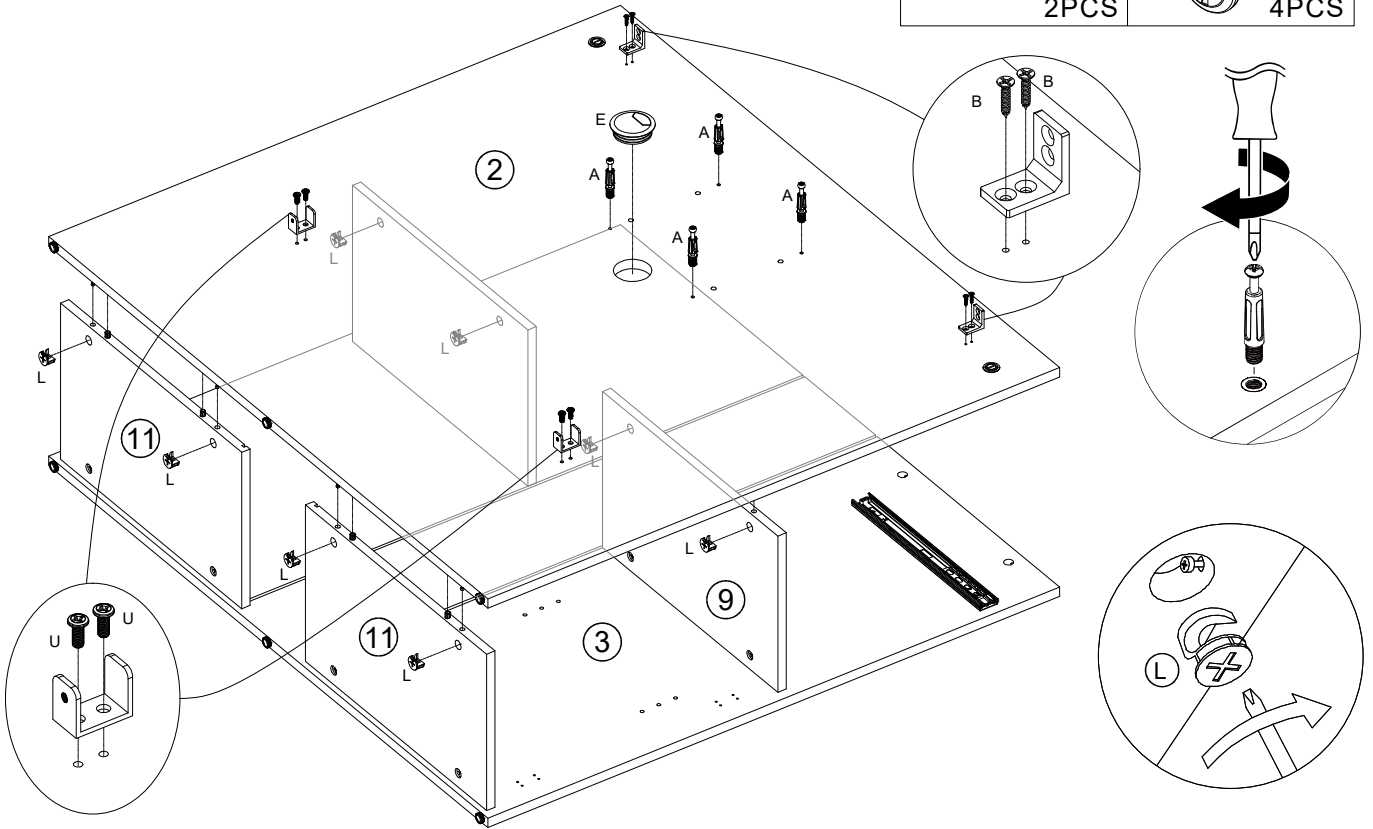


**6**

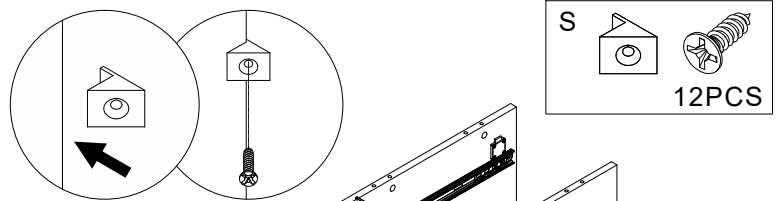


# 7

A	 4PCS	B	 4PCS	C	 2PCS	E	 1PCS	L	 8PCS
T	 2PCS	U	 4PCS						

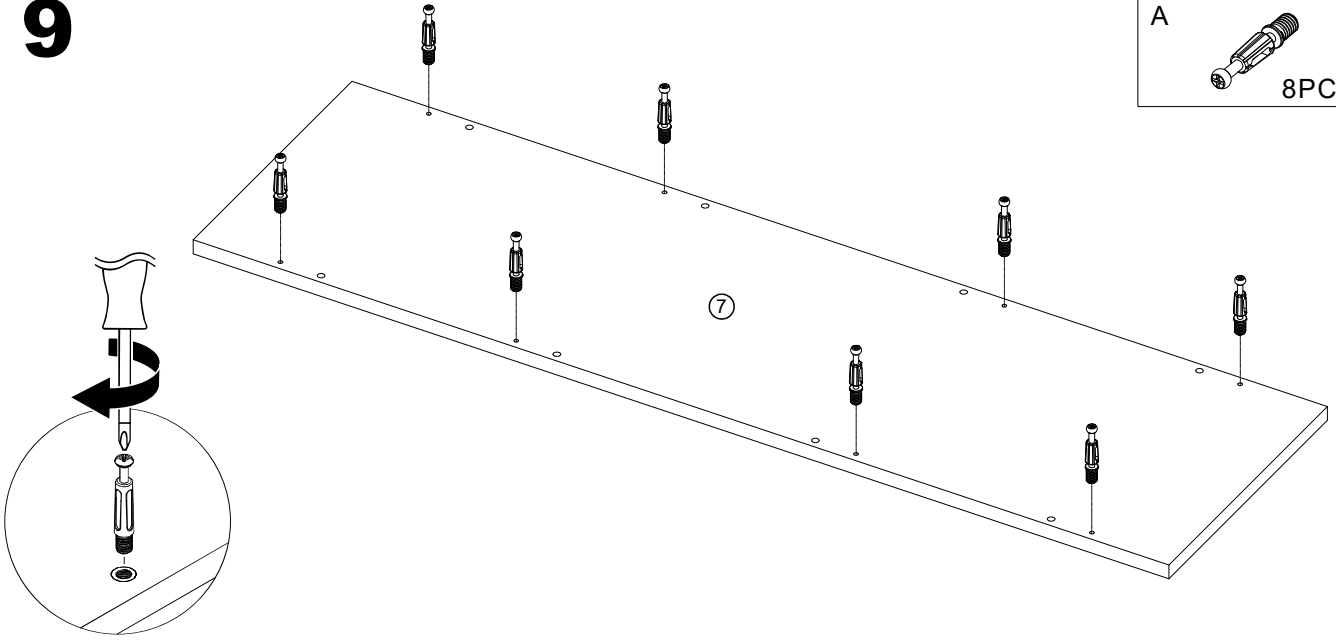
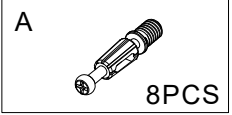


# 8

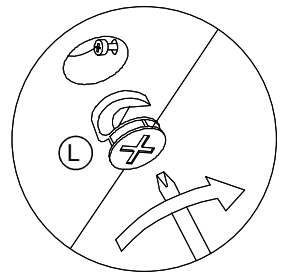
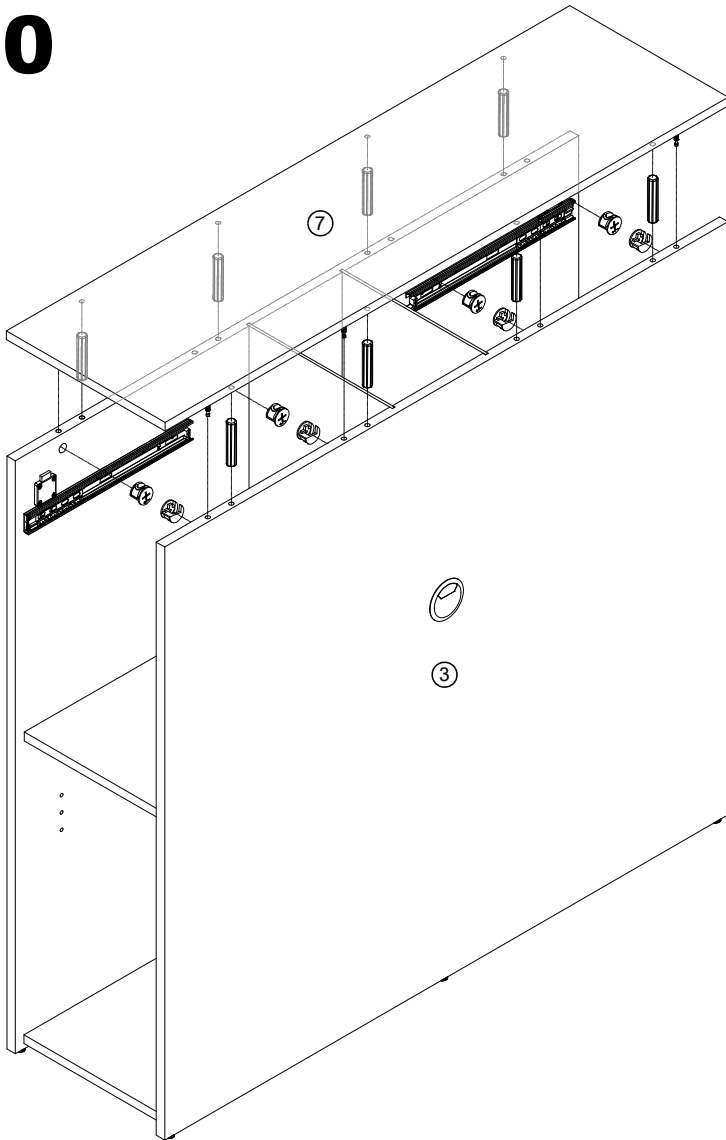
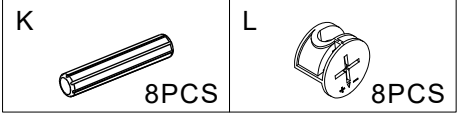


Clip S is to secure the Board #8 in the cabinet, you can use 8~12pcs Clip S as you need

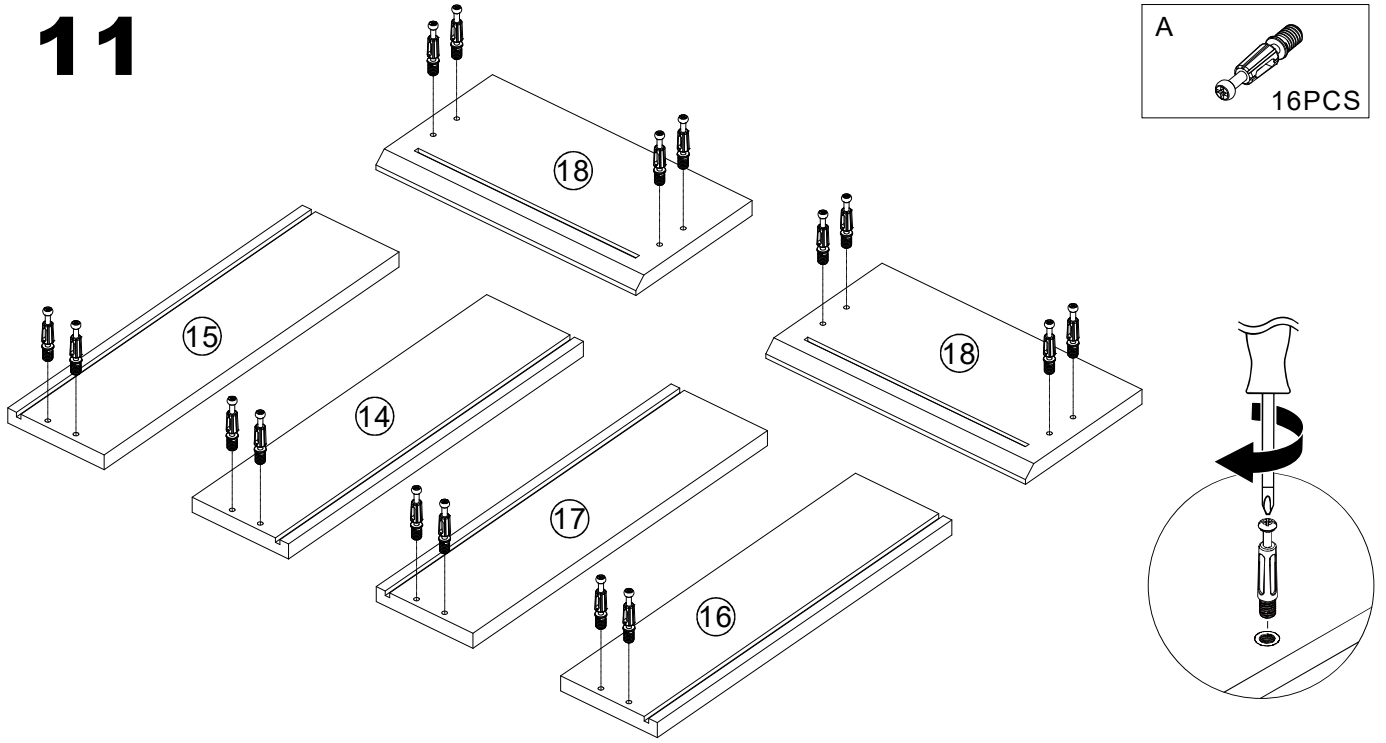
9



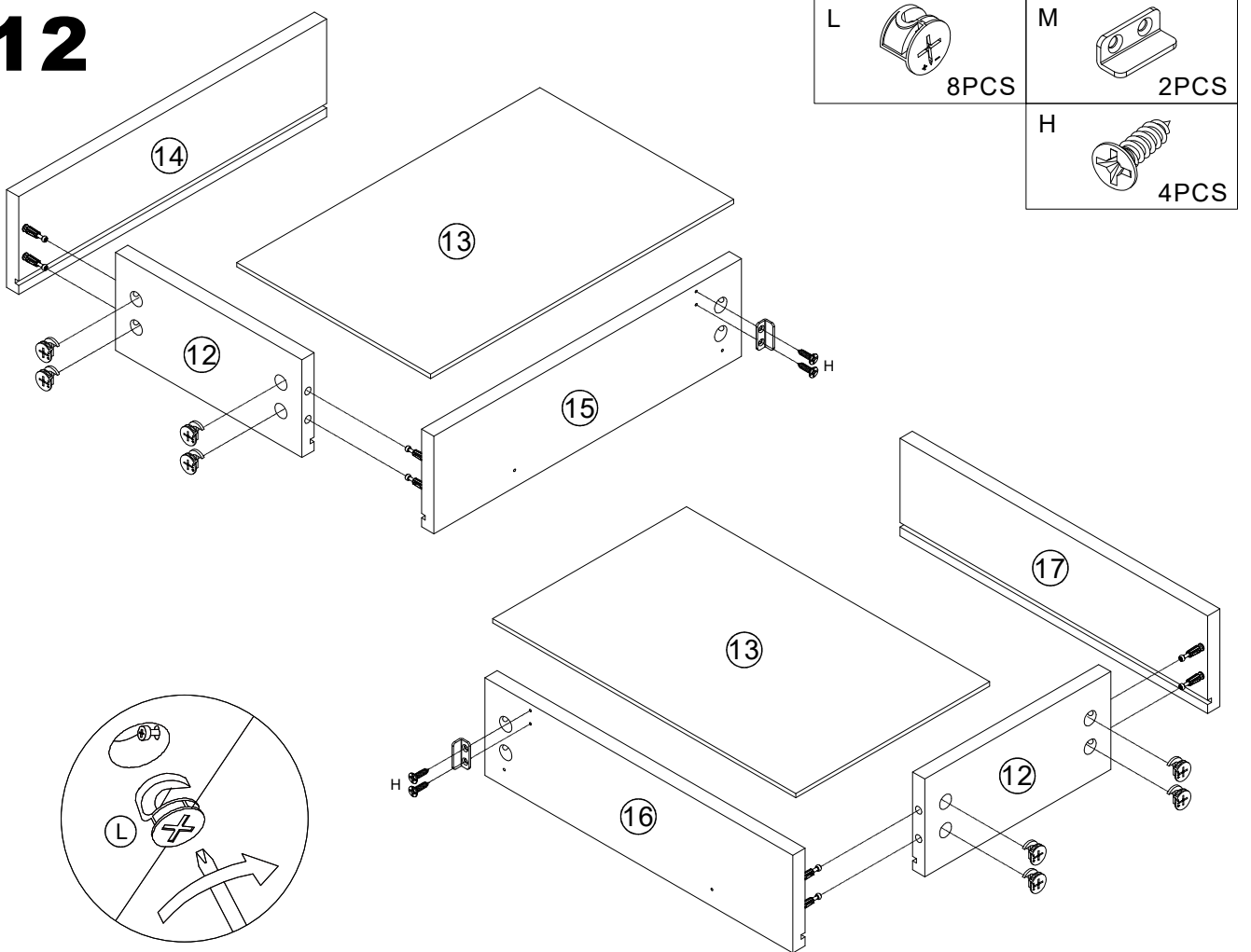
10



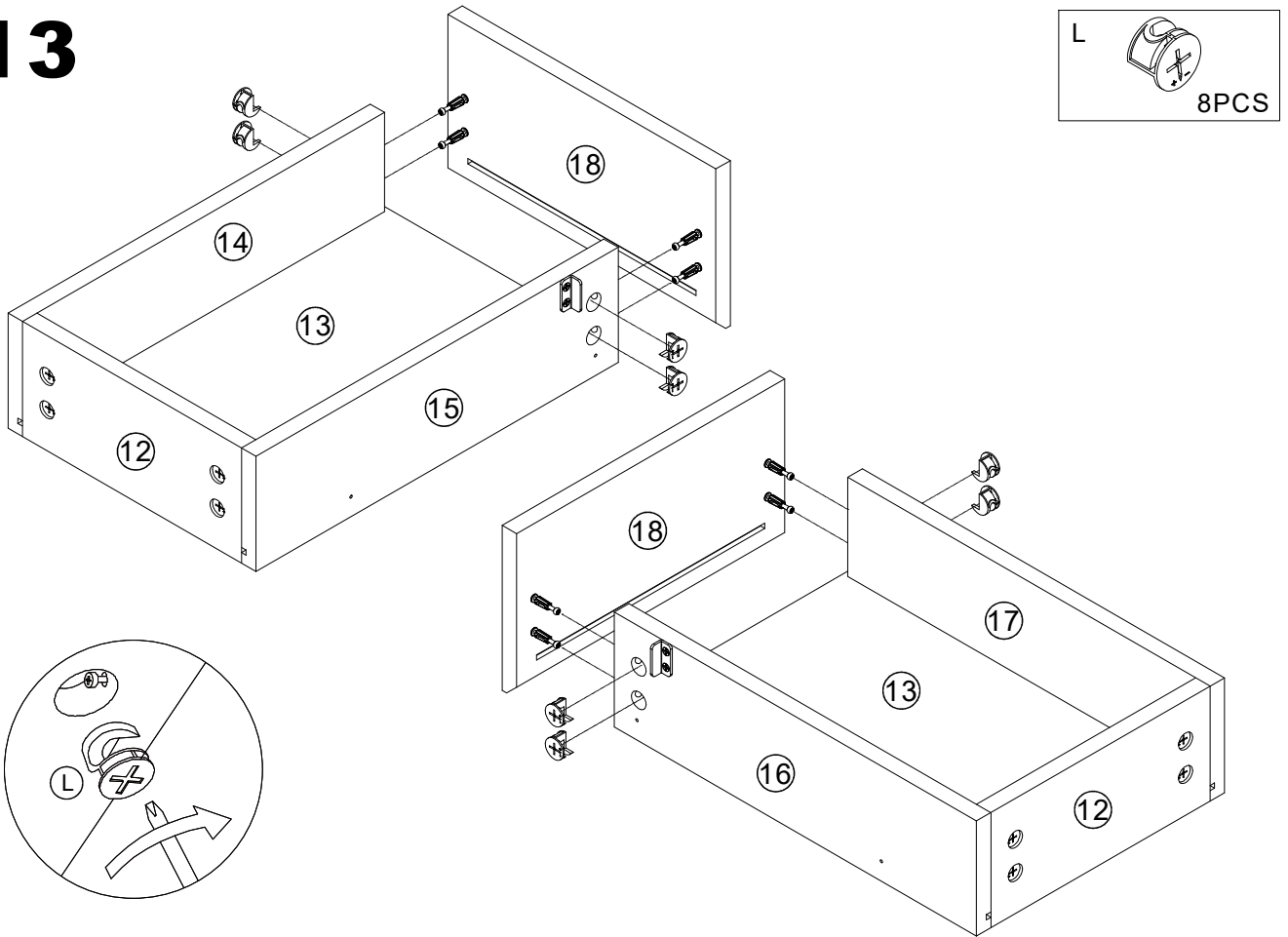
# 11



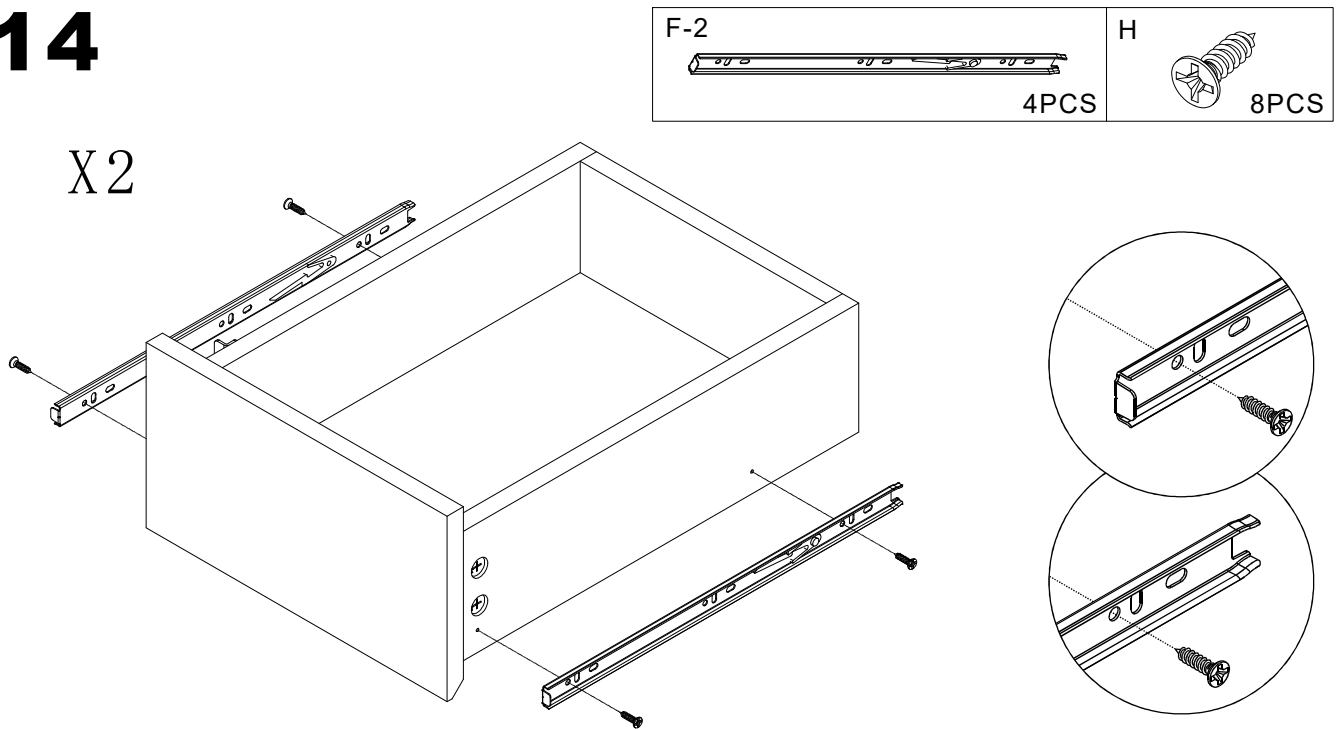
# 12



# 13

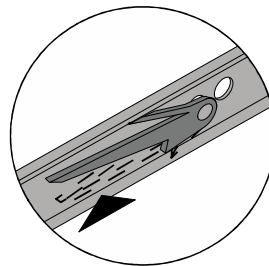
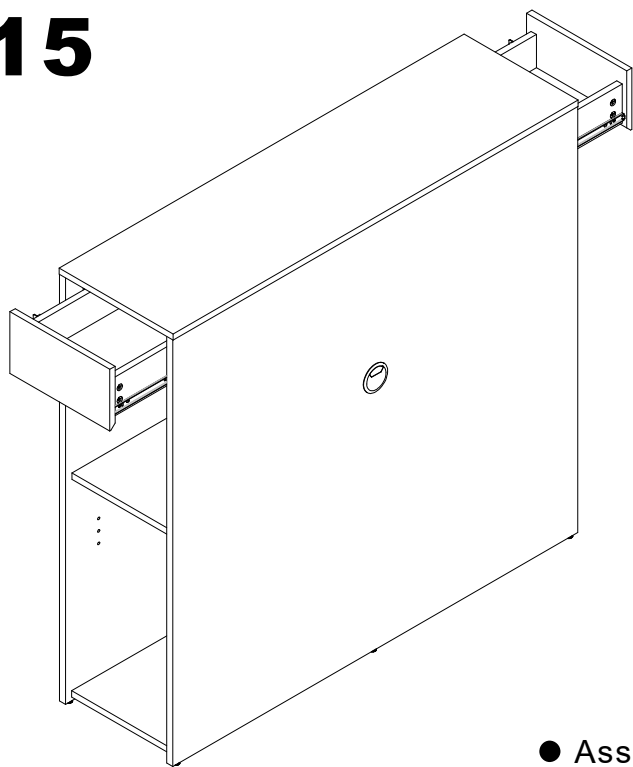


# 14

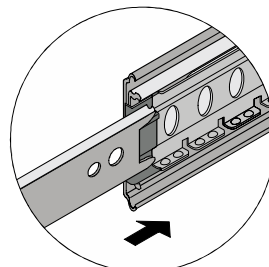


We have spare screws in the package in case you want to secure the slider with one more screw in either remaining hole.

# 15



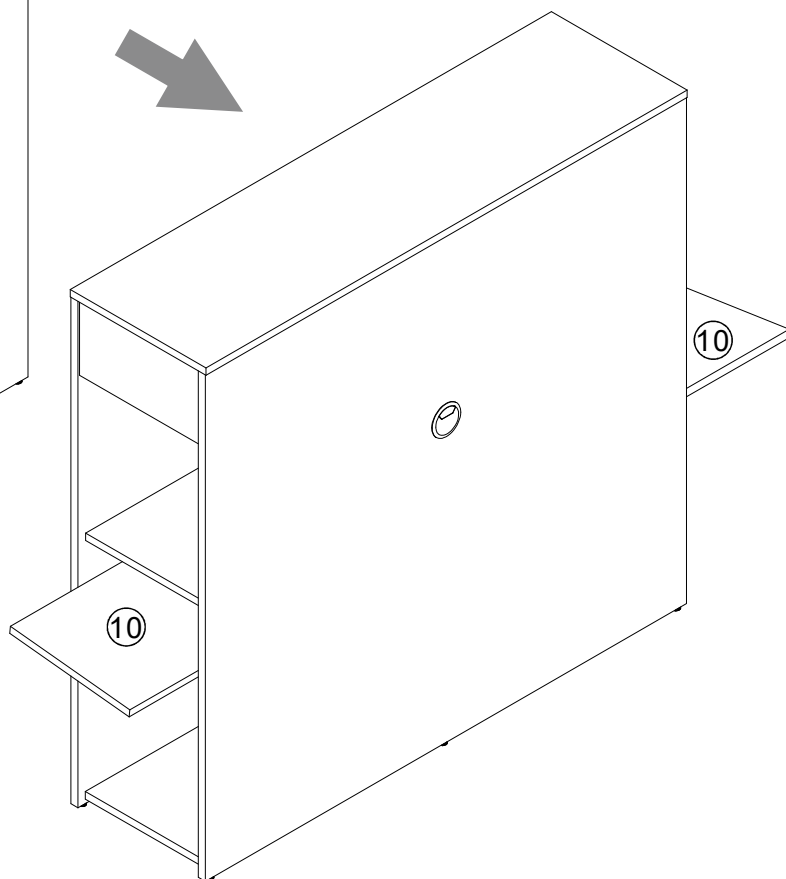
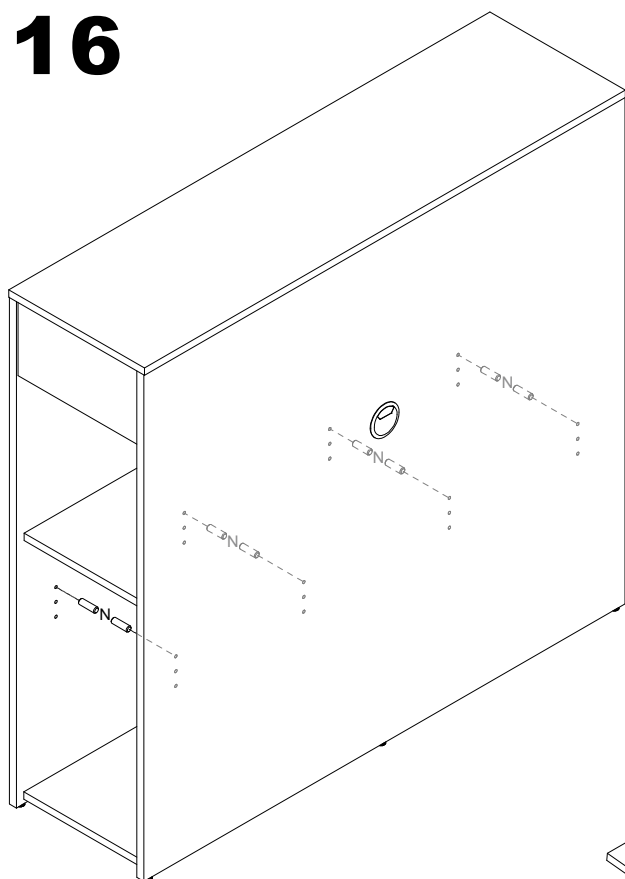
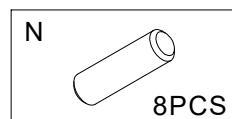
**a**



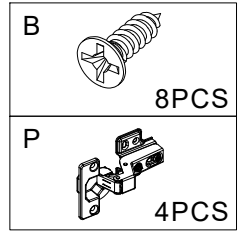
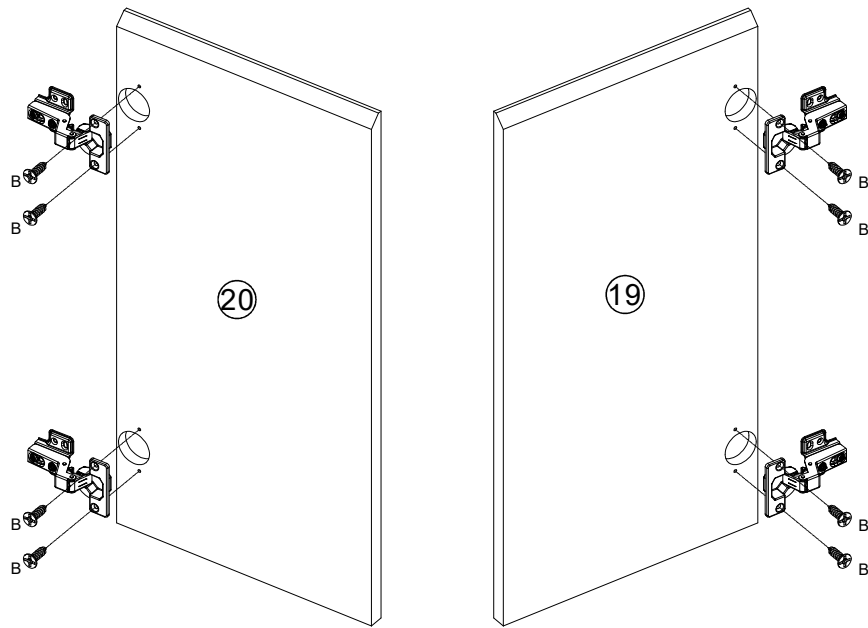
**b**

● Assembled drawers are loaded onto cabinets.

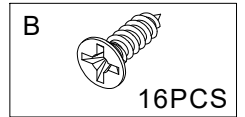
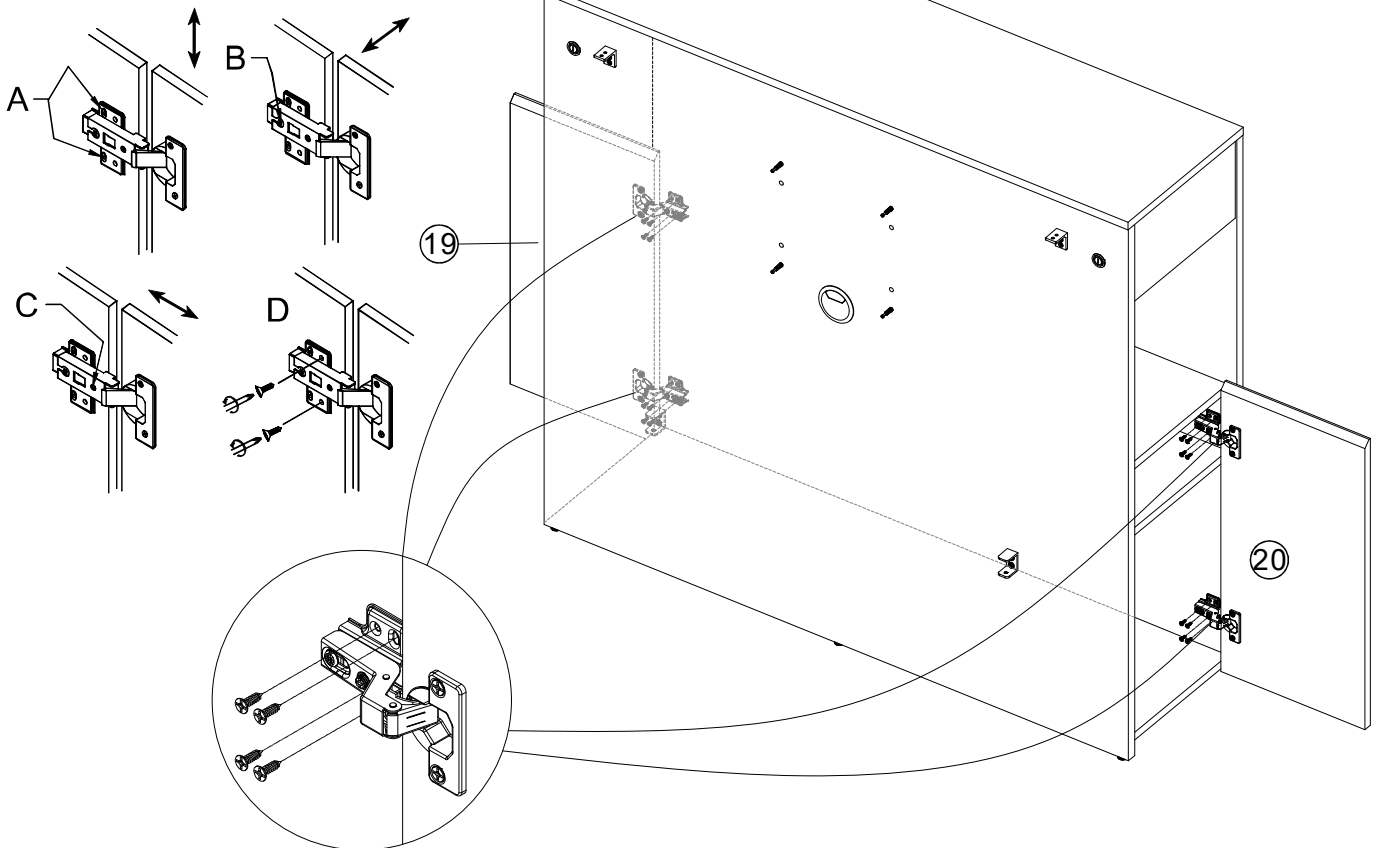
# 16



# 17



# 18

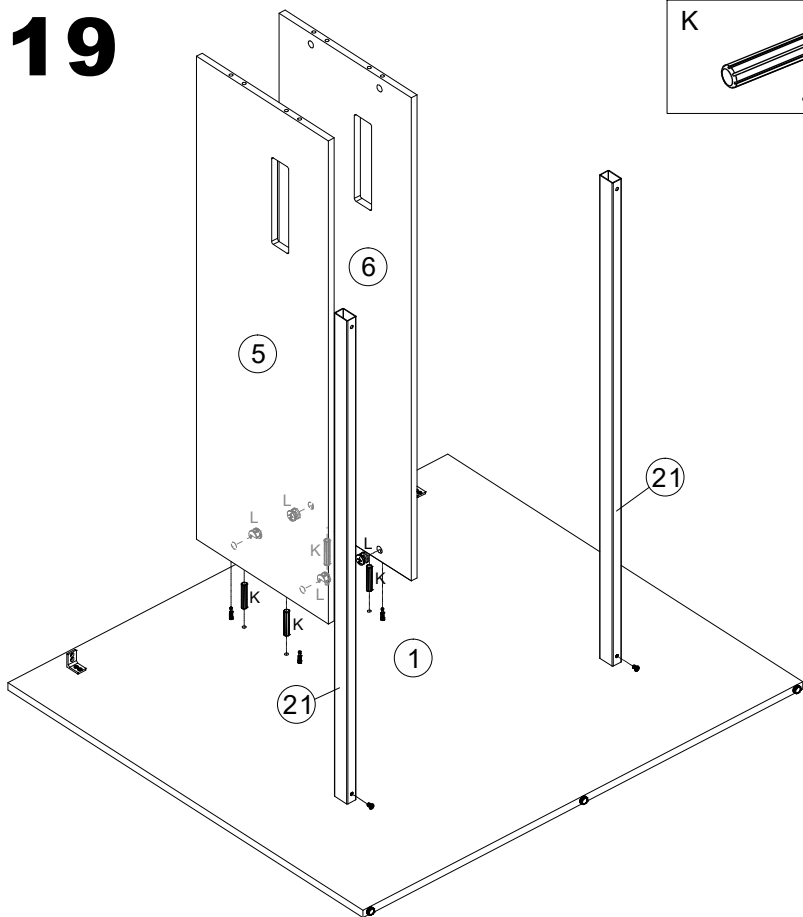





A.Height adjustment  
C.Side to side adjustment

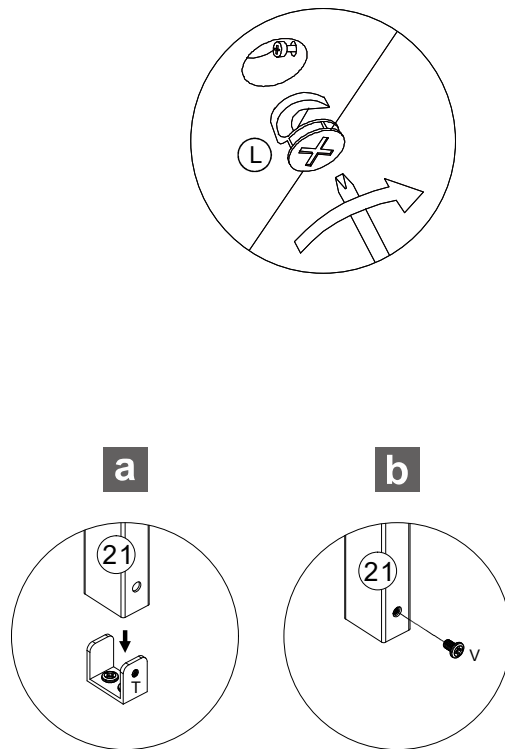
B.Depth adjustment  
D.After adjustment A/B/C,tighten screws.

●To ensure proper cabinet alignment, refer to the above illustrations for instructions about adjusting the cabinet height, depth and lateral movement.

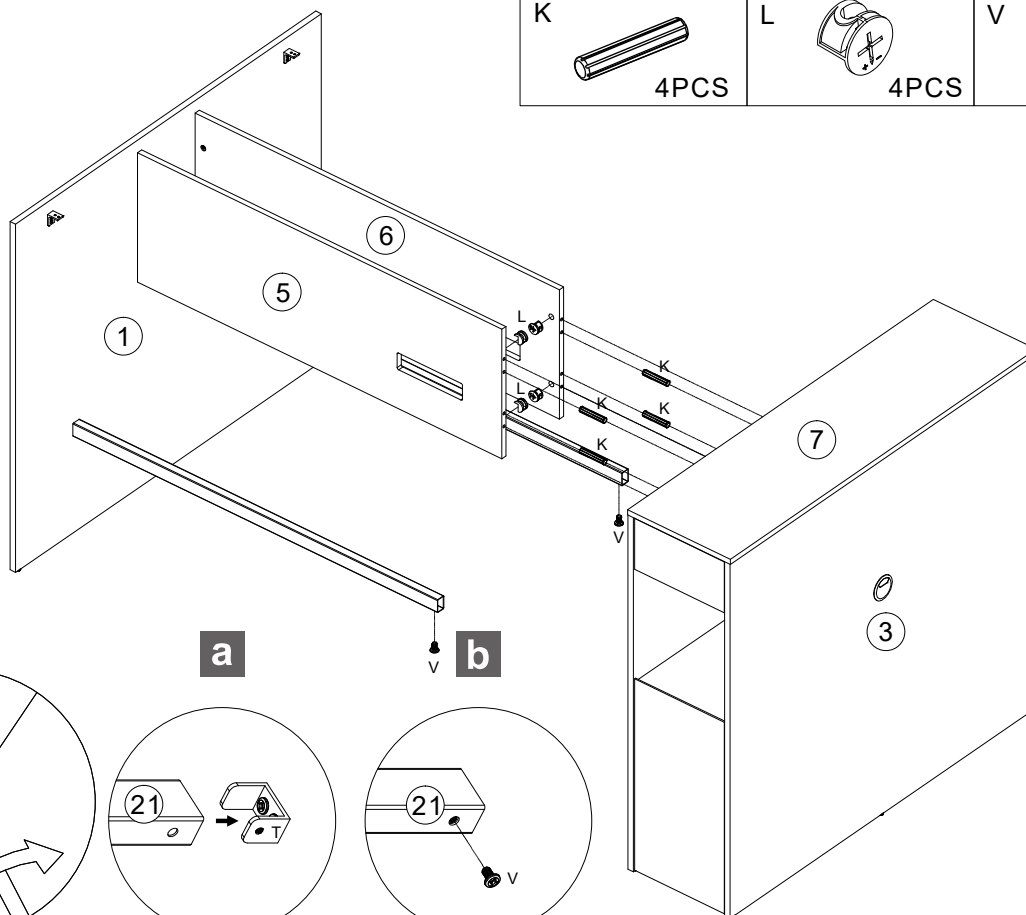
# 19






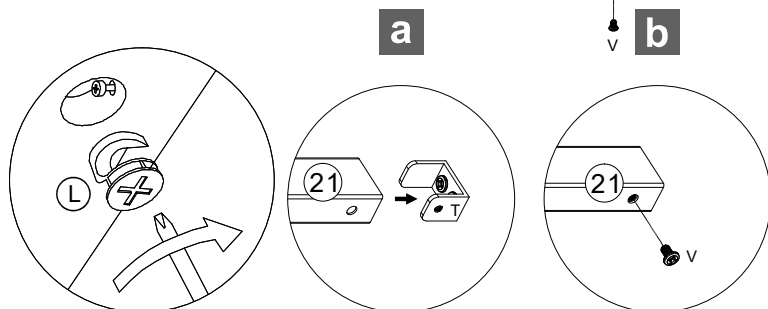
K		L		V	
	4PCS		4PCS		2PCS



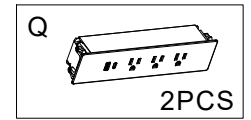
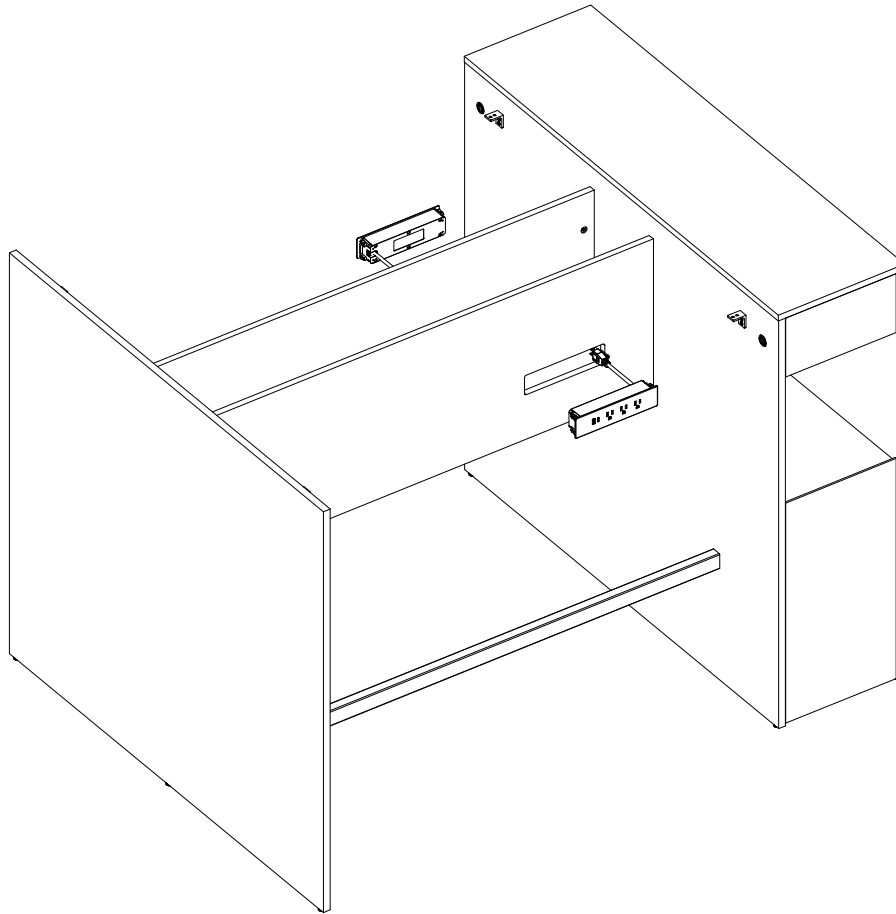
# 20



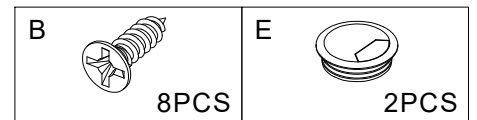
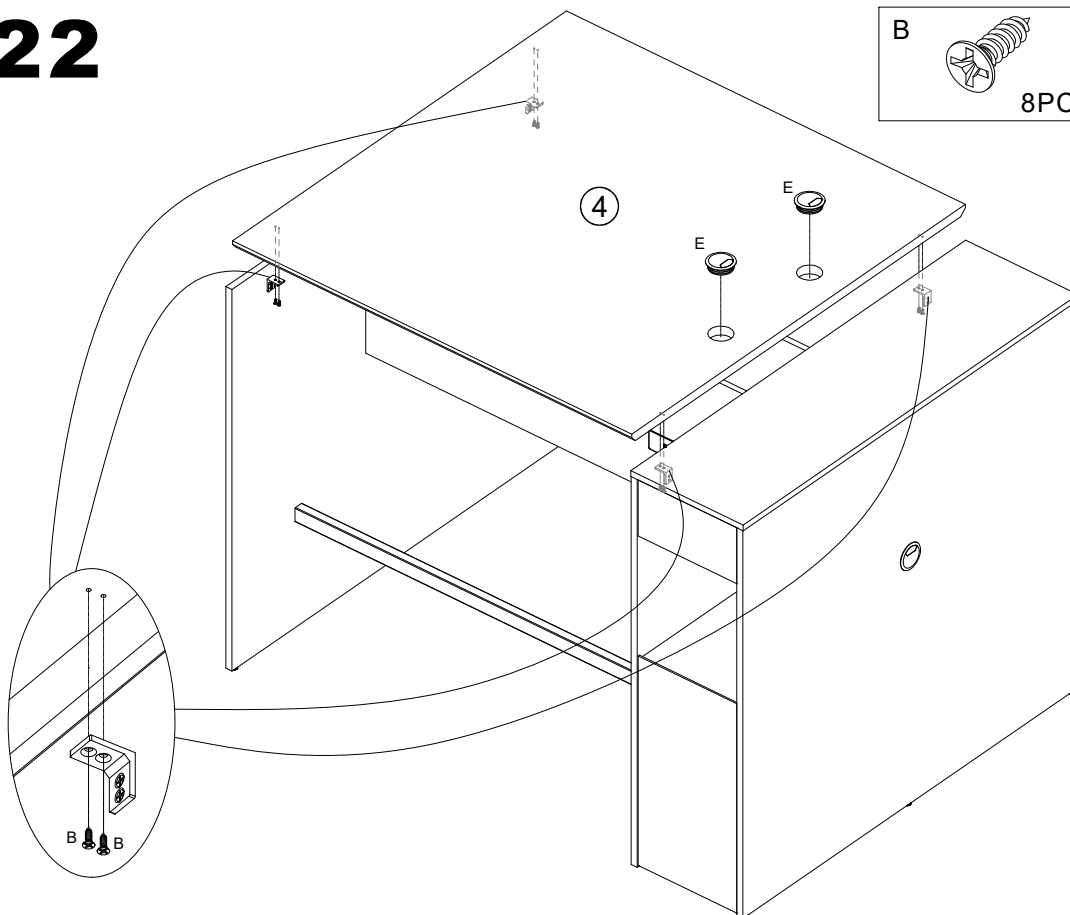
K		L		V	
	4PCS		4PCS		2PCS

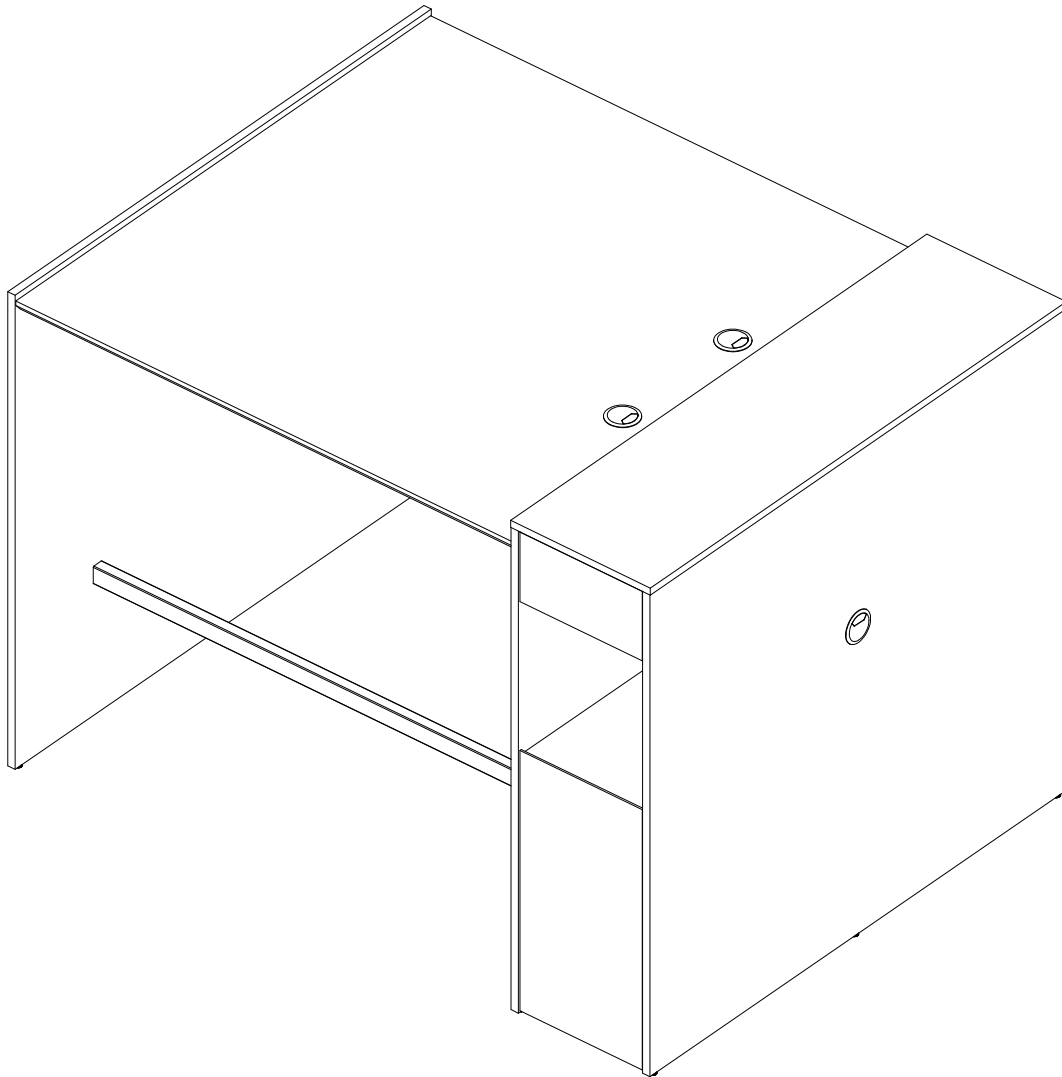


# 21



# 22





Thank you very much for purchasing from us.



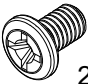
We have always been trying to provide the best service and reliable products for every customer.

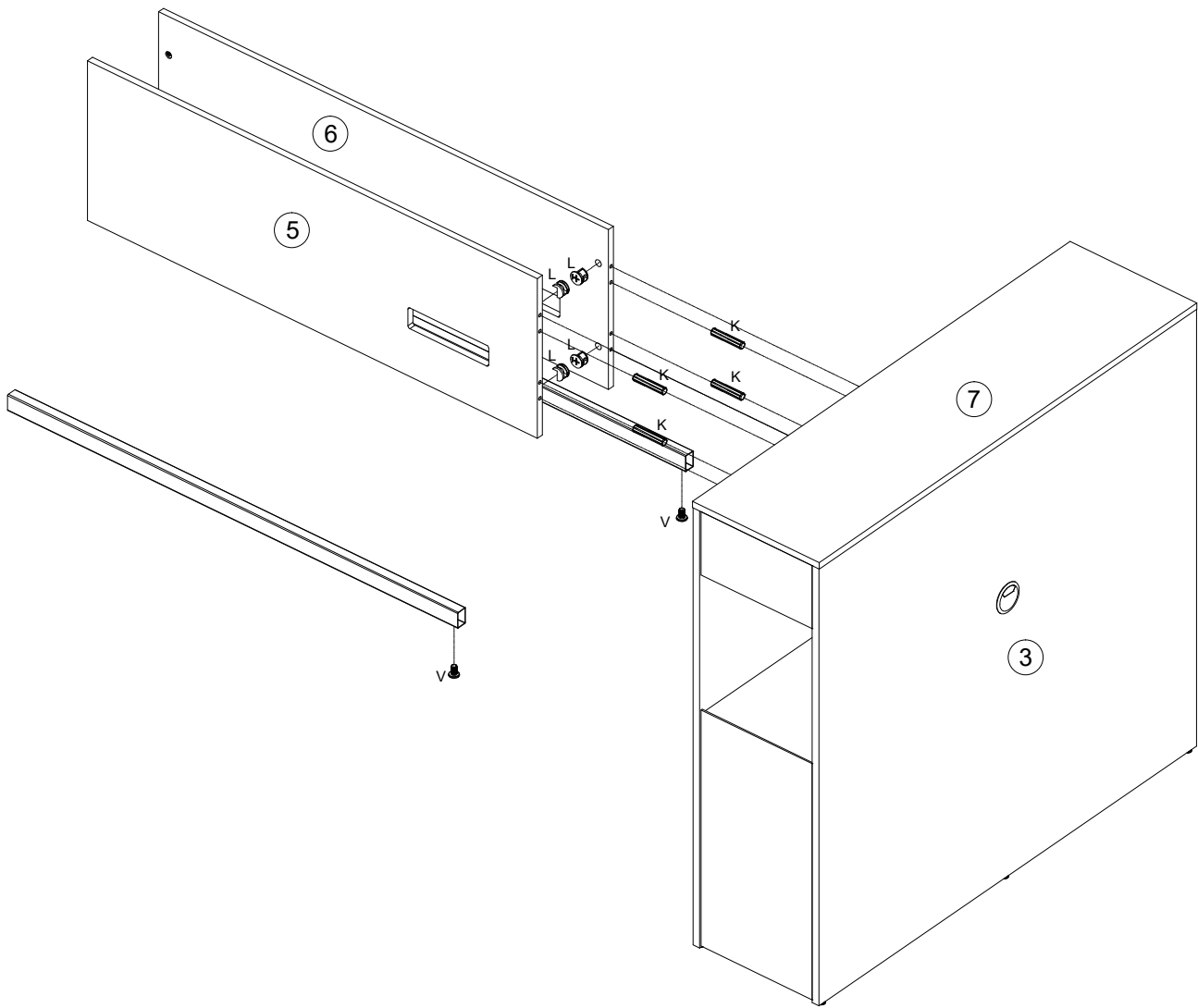
However,accident may happen sometimes,please contact us to resolve any issue before leaving a negative feedback.

Please contact at: [christyningxing@nxubay.com](mailto:christyningxing@nxubay.com) or via Phone#3233938260 at EST 1PM-5PM

Many thanks and welcome to our shop again!

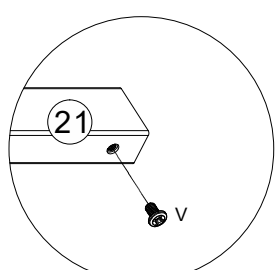
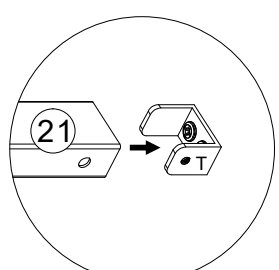
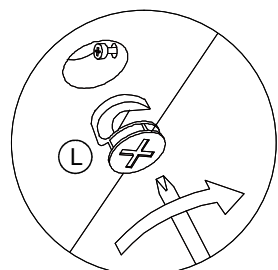
# 23

K		L		V	
	4PCS		4PCS		2PCS



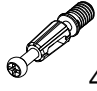
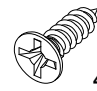
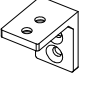
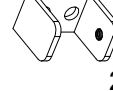
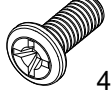
**a**

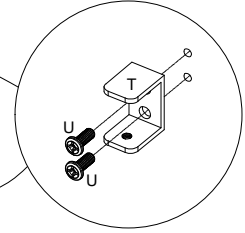
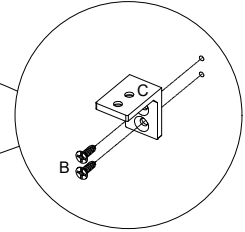
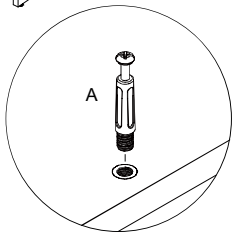
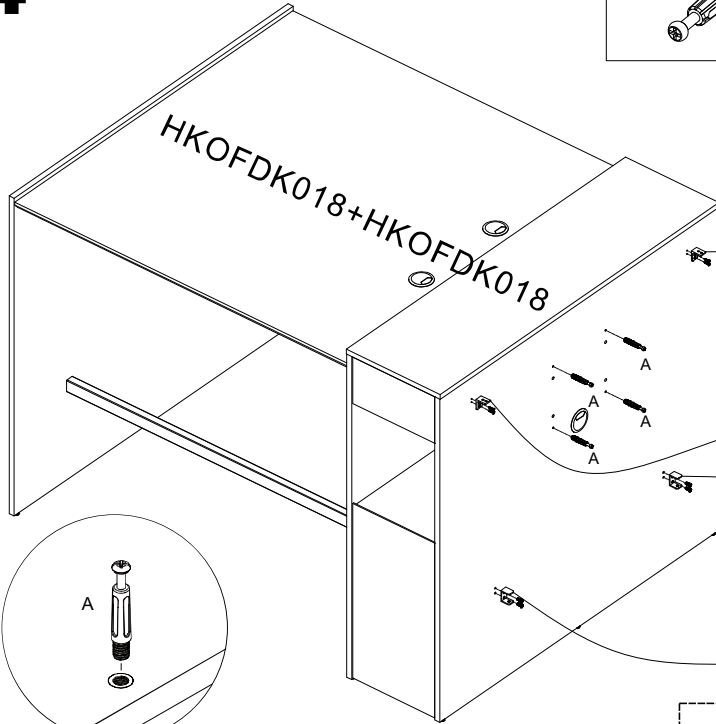
**b**





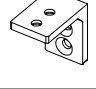
That's for workstation extension , Can be freely combined as needed.

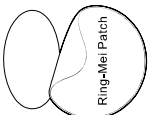
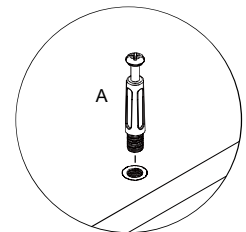
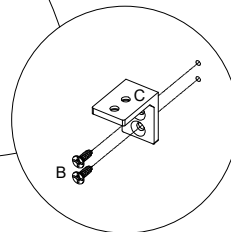
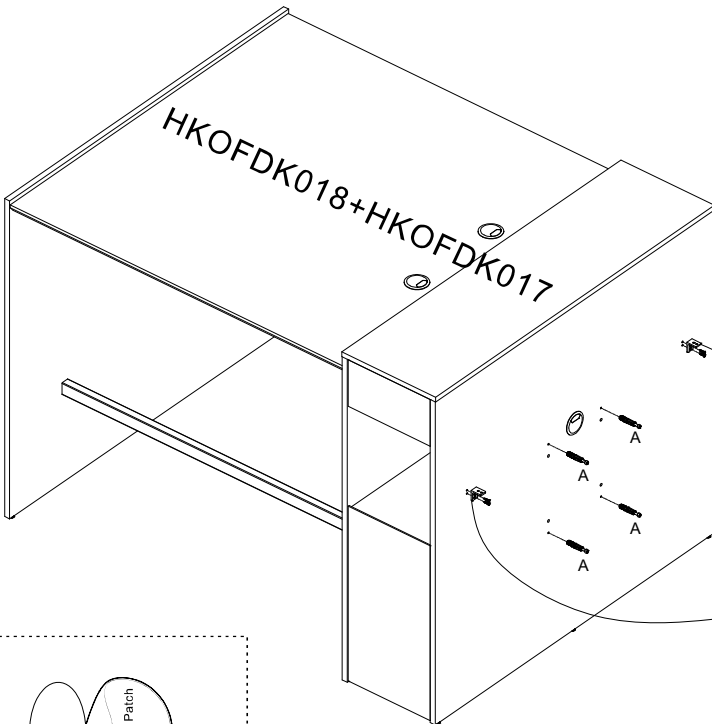
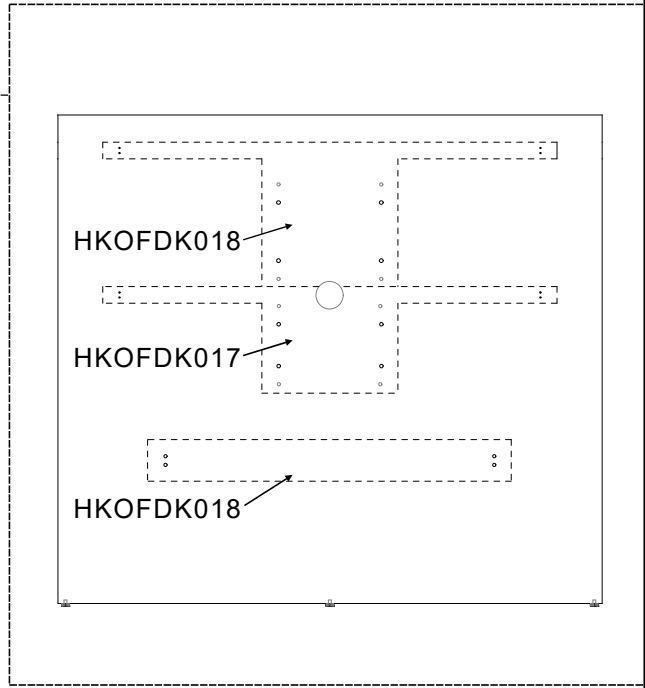
# 24

A		B		C	
	4PCS		4PCS		2PCS
T		U			
	2PCS		4PCS		






or

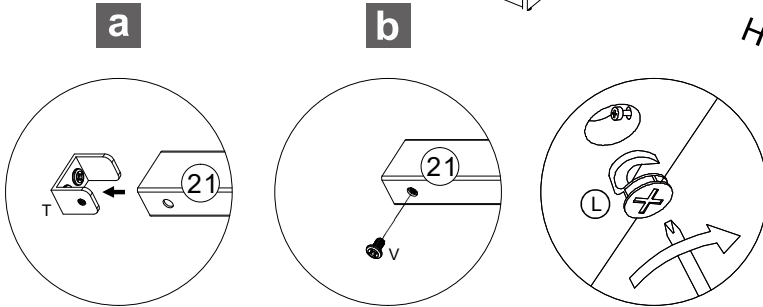
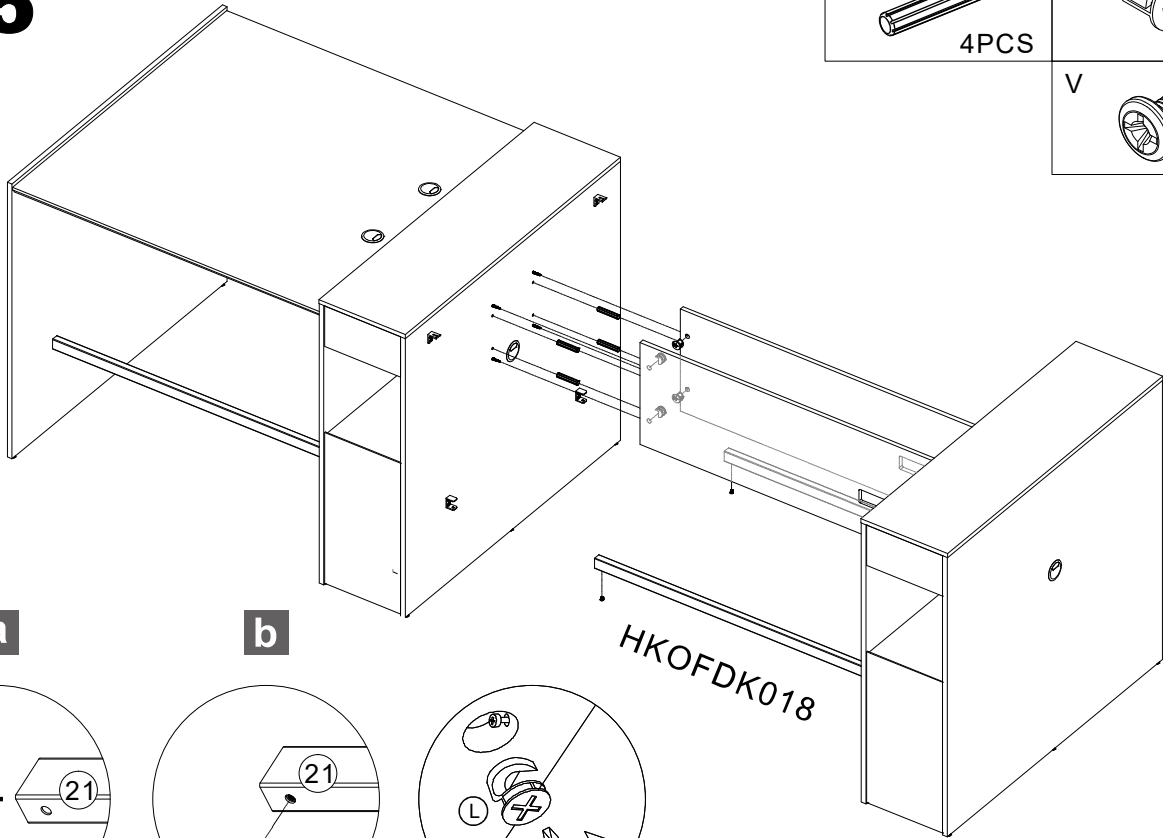
A		B		C	
	4PCS		4PCS		2PCS





Please remove the Ring-Mei Patch before connecting with the extensional workstation.

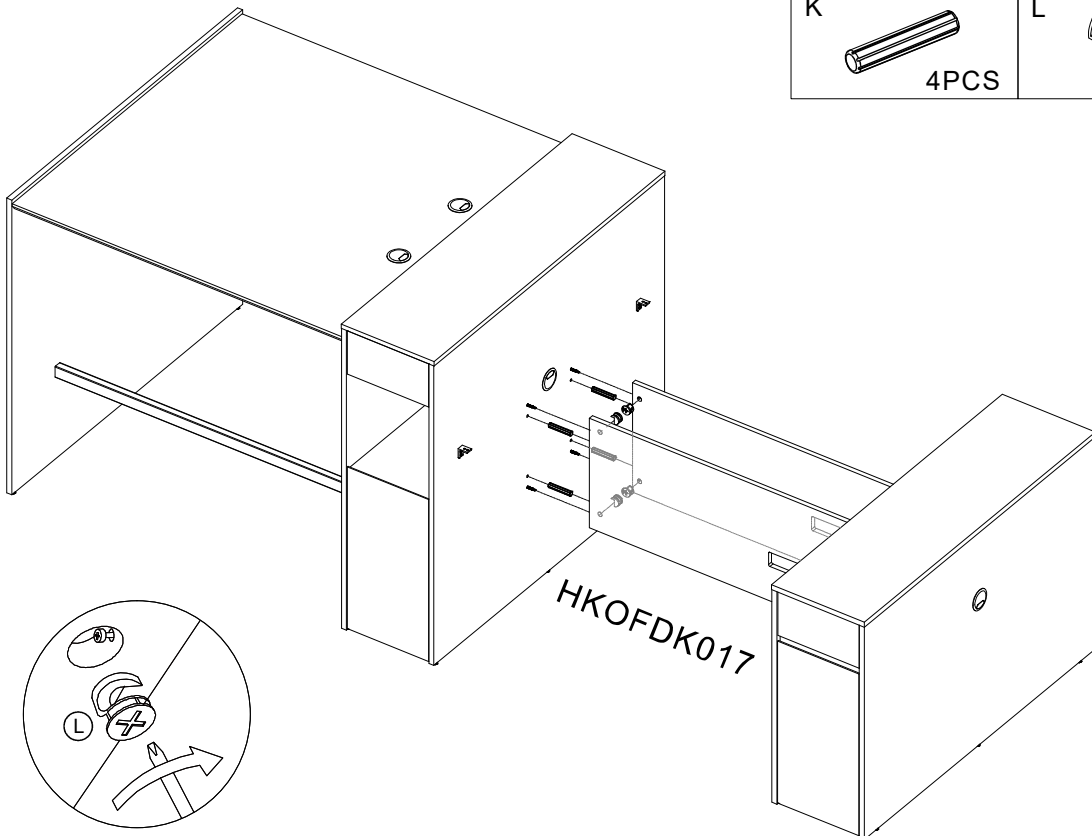
# 25

K		L	
	4PCS		4PCS
		V	
			2PCS

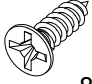





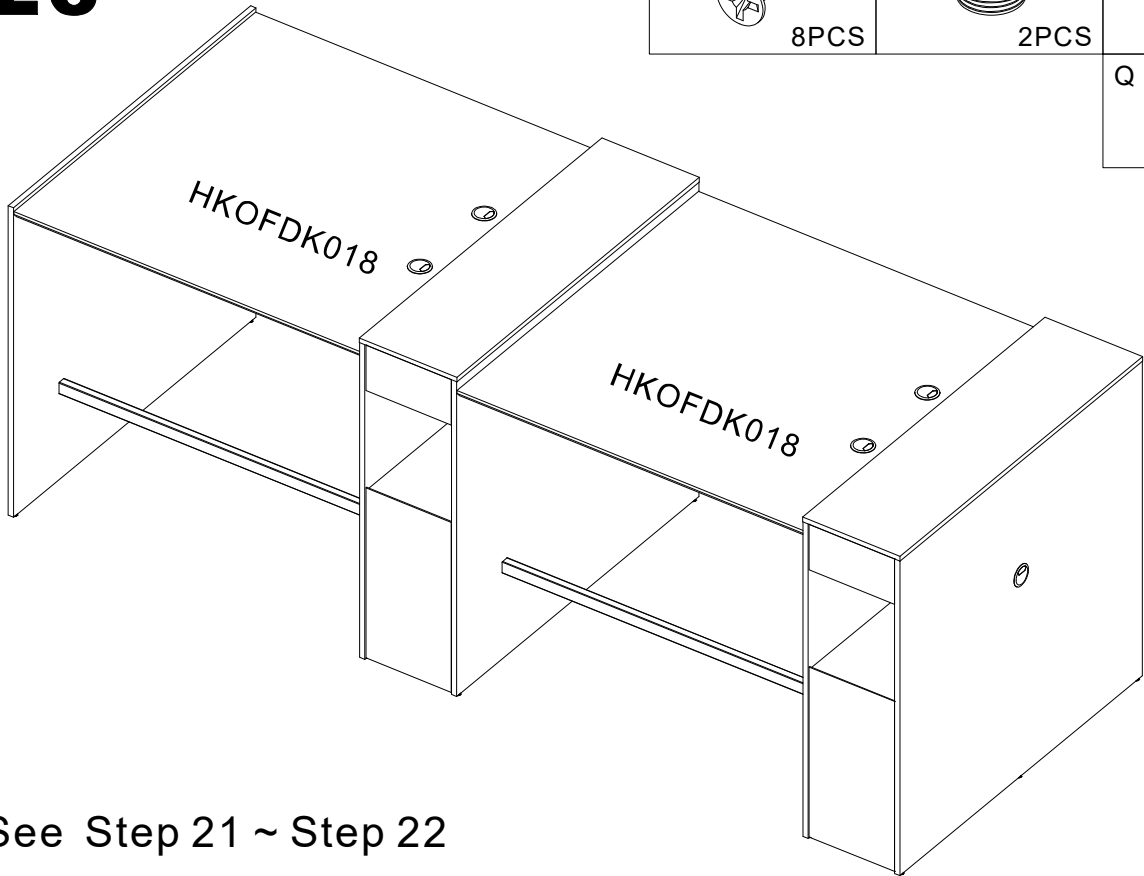
or

K		L	
	4PCS		4PCS



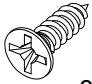


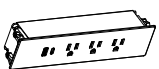
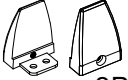

# 26

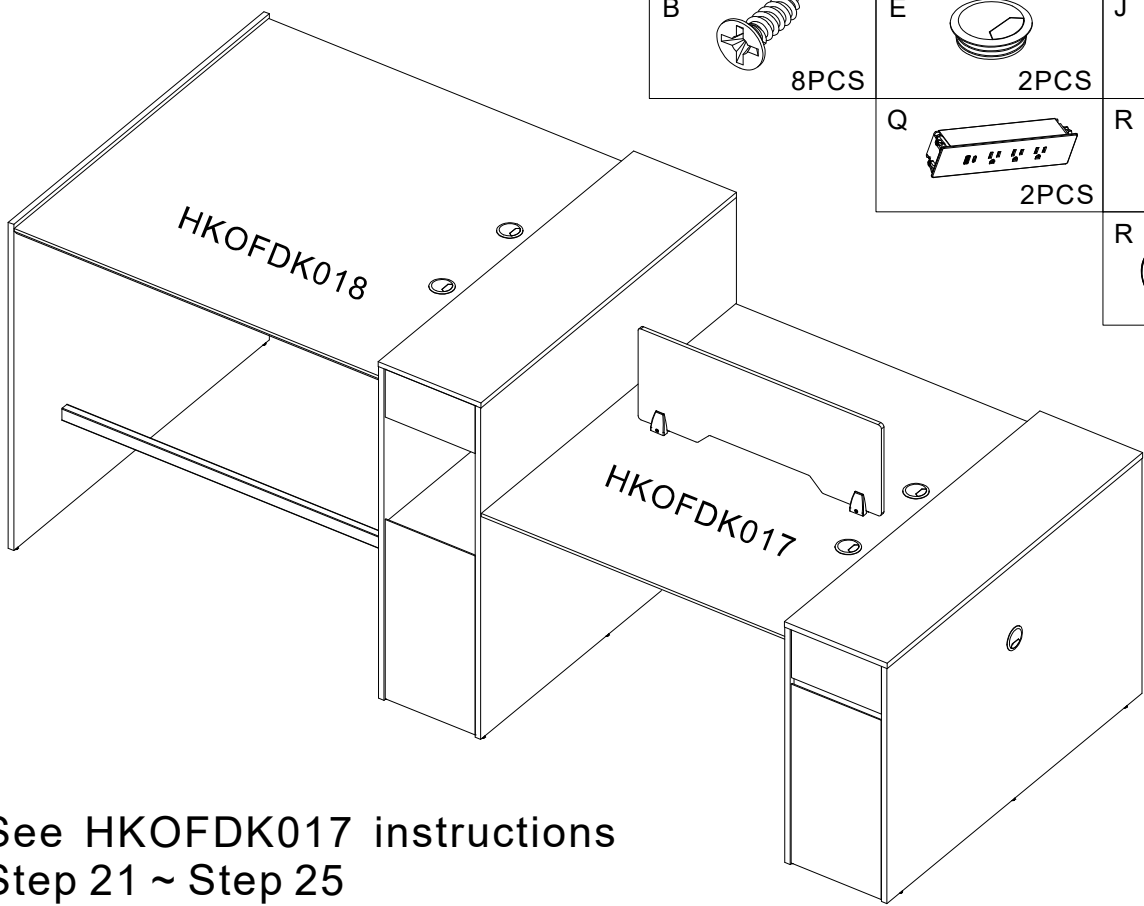
B		E		J	
	8PCS		2PCS		4PCS
				Q	
					2PCS



See Step 21 ~ Step 22

# or

B		E		J	
	8PCS		2PCS		4PCS
		Q		R	
			2PCS		2PCS
				R	
					2PCS



See HKOFDK017 instructions  
Step 21 ~ Step 25