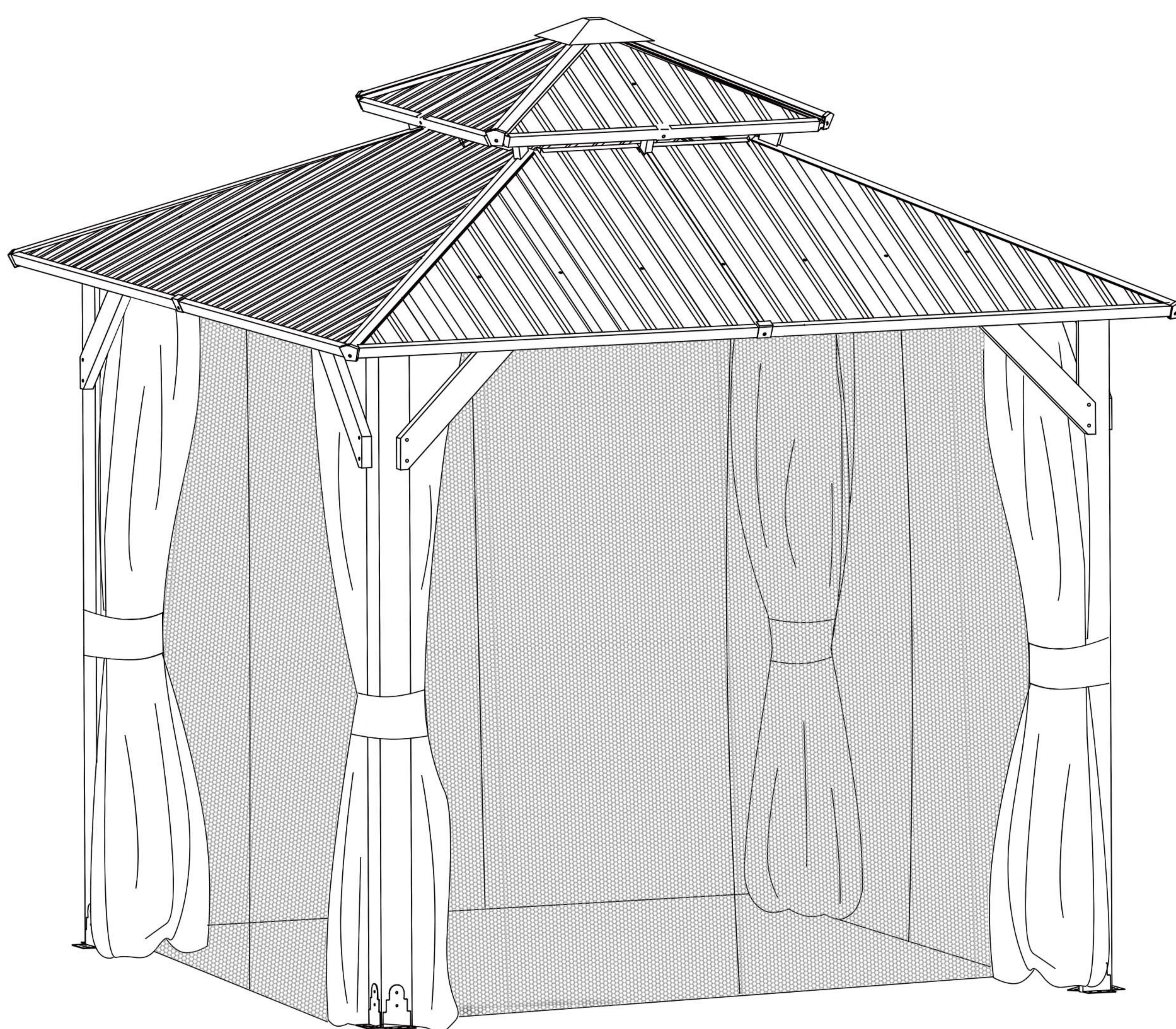


Metal Roof
Cedar Wooden Gazebo 8.5X8.5FT

SKU: A001G055-1
A001G055-2

ASSEMBLY INSTRUCTIONS



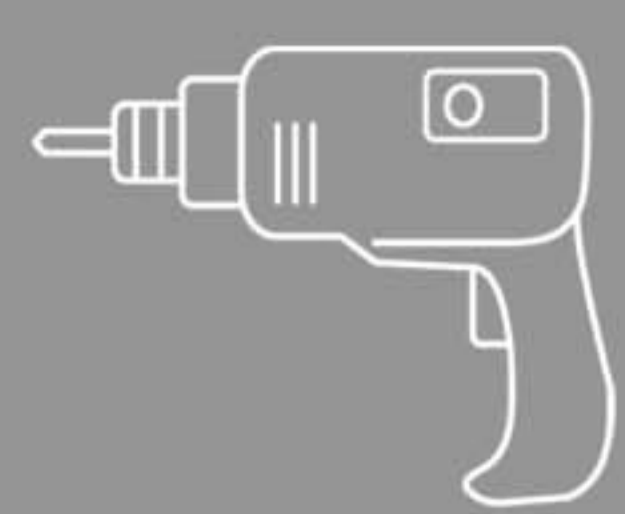
Please check the number of parts in the following accessory catalogue when unpacking. We have sent you more small parts for spare. If there is any missing or any questions about the installation. Please feel free to contact us. We will reply within 24 hours.



E-mail: cs.helper01@gmail.com

TOOLS RECOMMENDED

*NOTE: The recommended tools are not included in boxes and need to be prepared by yourself.



DRILL



RUBBER Mallet



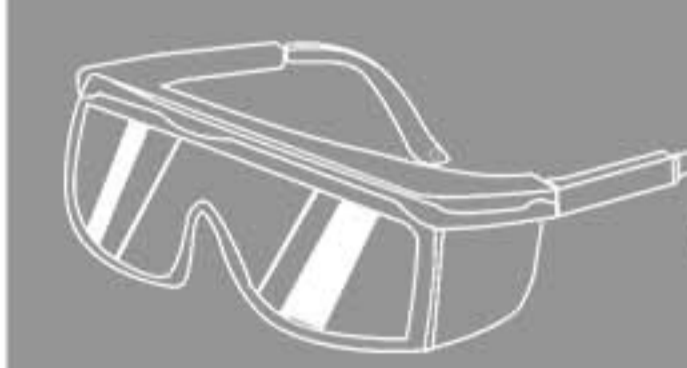
STEPLADDER
(6.5Ft Or More)



SAFETY HAT



GLOVES



SAFETY GOGGLES

ATTENTIONS



Since it is easy to lose many small accessories during the installation, please collect all the screw accessories before the assembly is completed



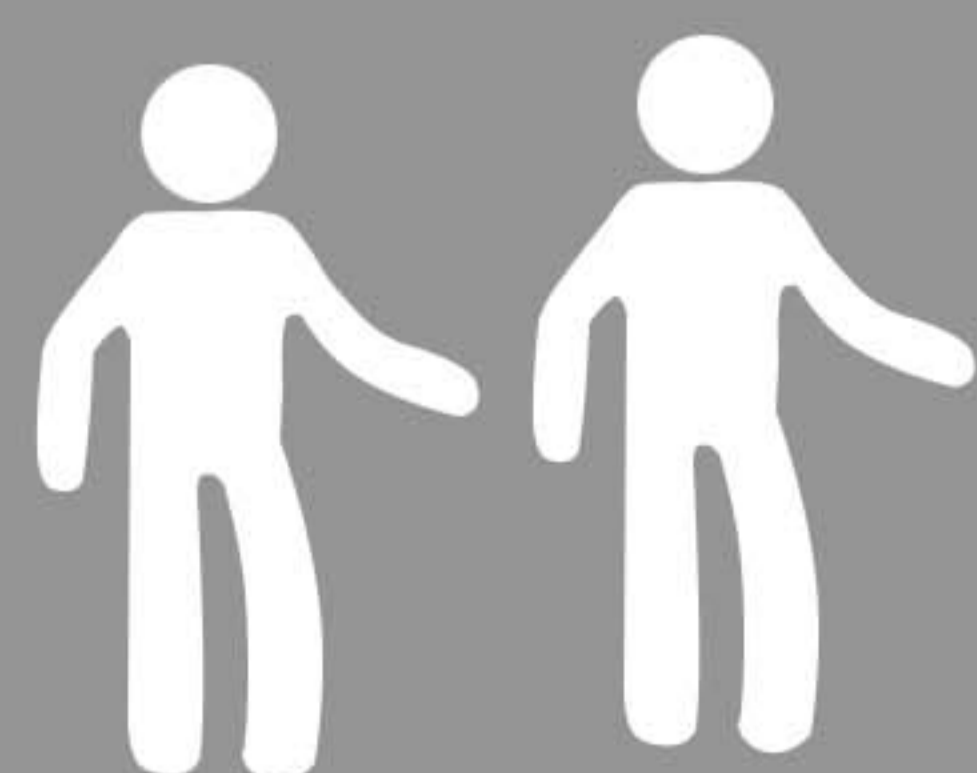
To better align the screws for practical situations, do not fully tighten screws initially



Please reinforced the Gazebo and do not use in heavy winds or inclement weather



Make sure all screws are tightened before use and check all screws, buckles and straps every 90 days



Two or more people are required for assembly



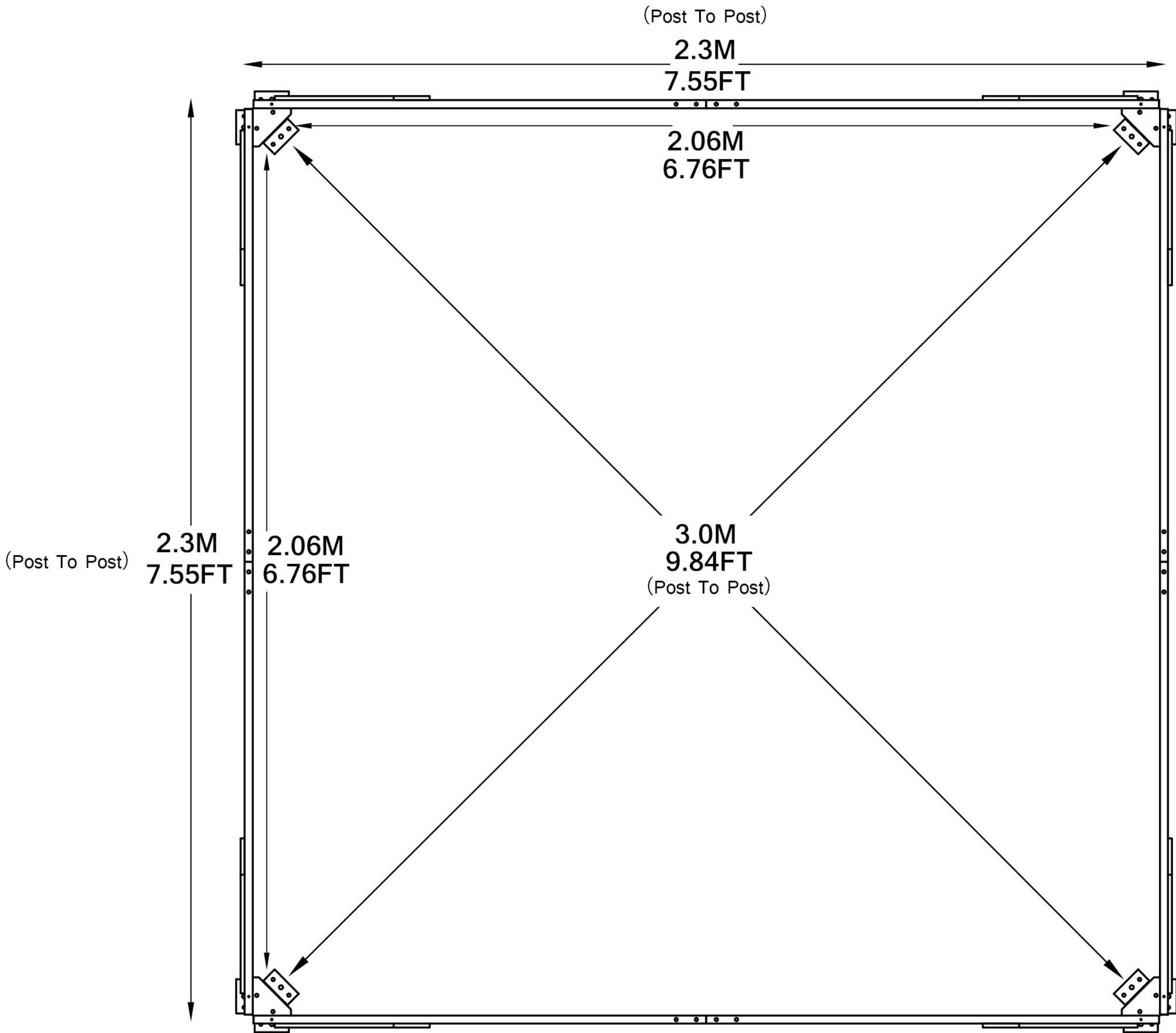
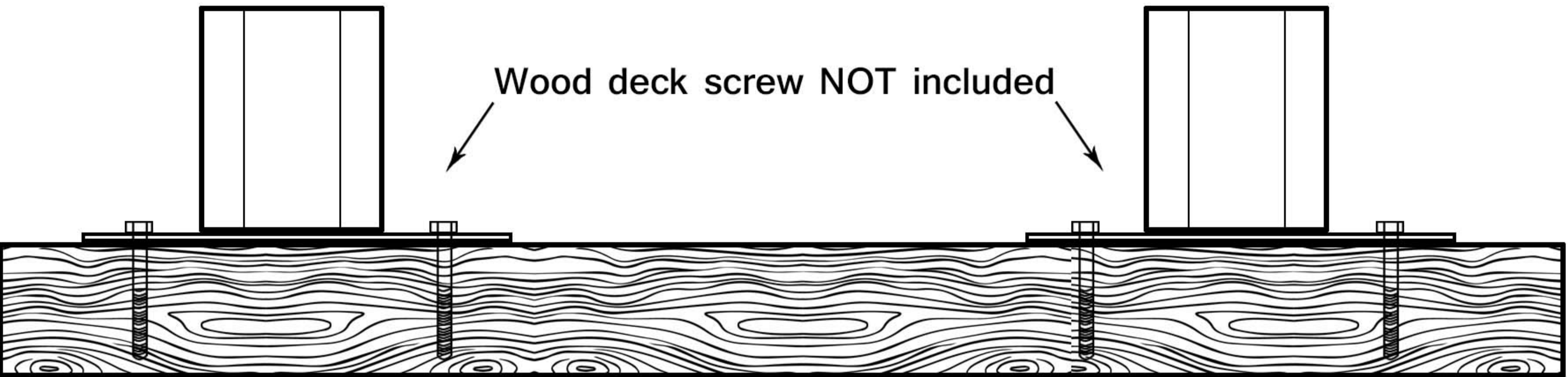
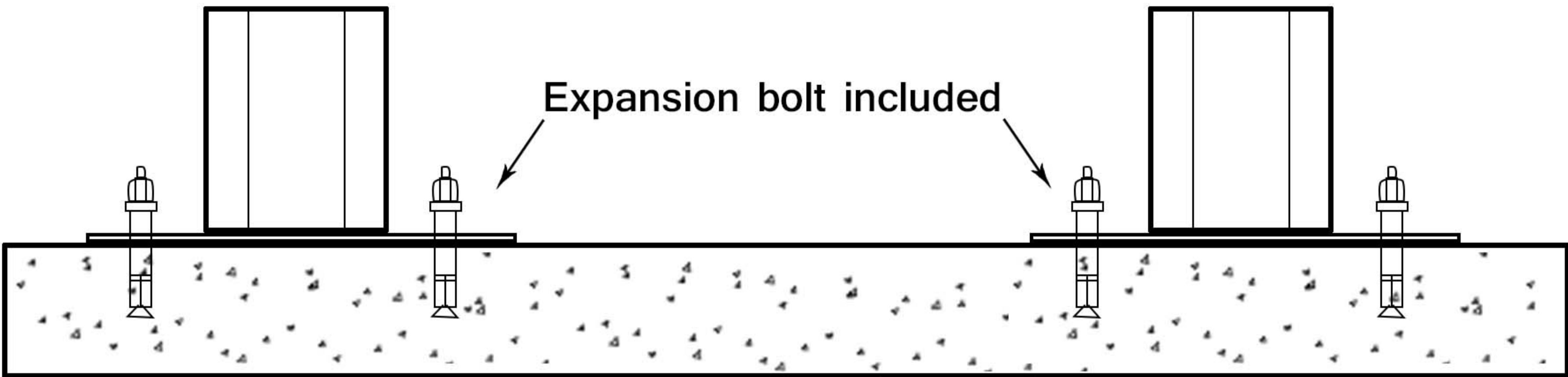
Please clear the snow off the roof in time for the heavy snowfall and do not use it

Please take care of the screws and contact the after-sales service if there is any problem with the installation or parts.



Permanent Installation Examples

Our supporting expansion screws can only be used for cement floors, customers need to bring their own special screws if they are used for wood floors



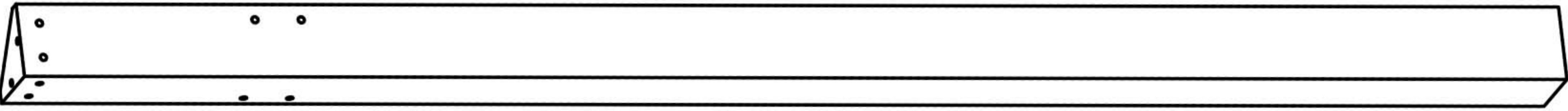
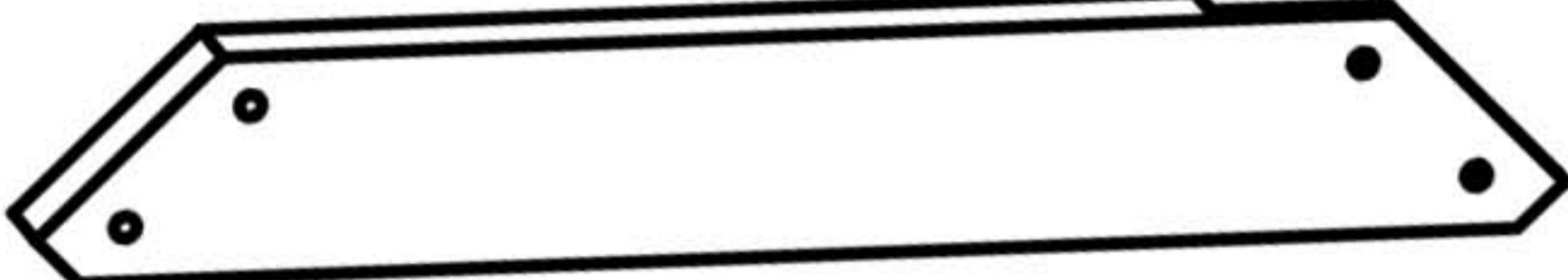
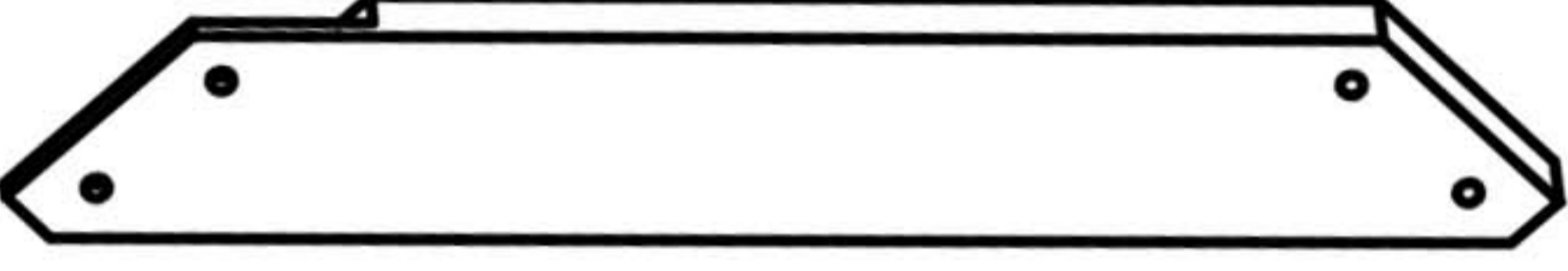
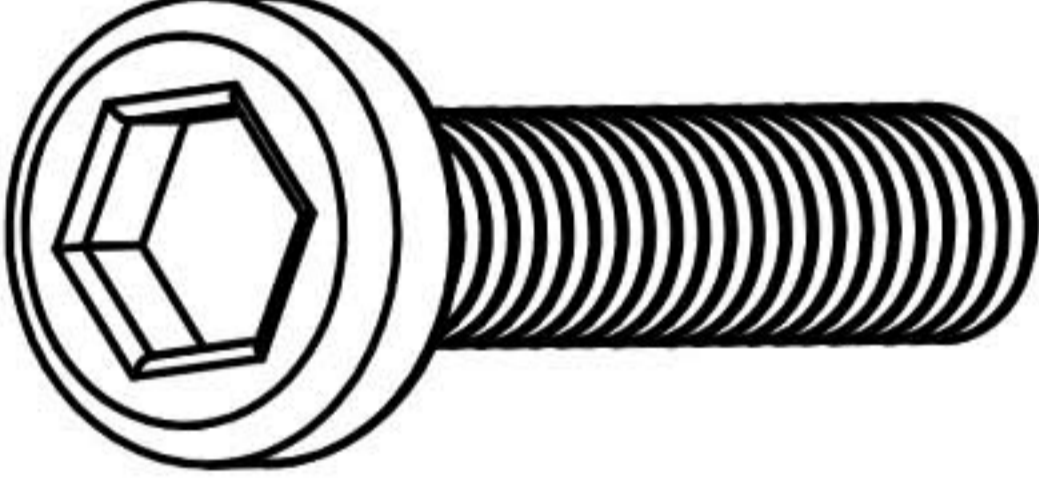
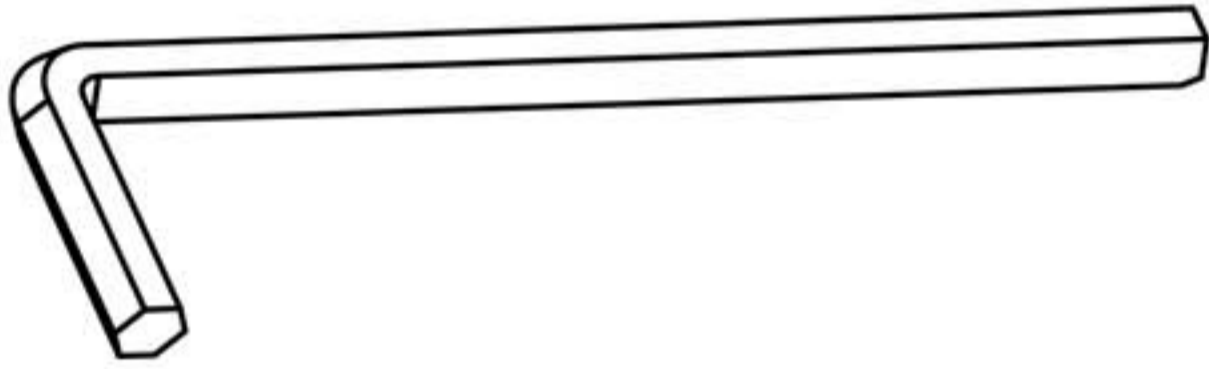
Please take care of the screws and contact the after-sales service if there is any problem with the installation or parts.

➔ ✉ E-mail: cs.helper01@gmail.com

ACCESSORY CATALOGUE

BOX 1

SKU: A001G055-1

Item no.	Reference Image	Qty.
A		4
F		4
F1		4
X7	 M8X40mm	16
1		1

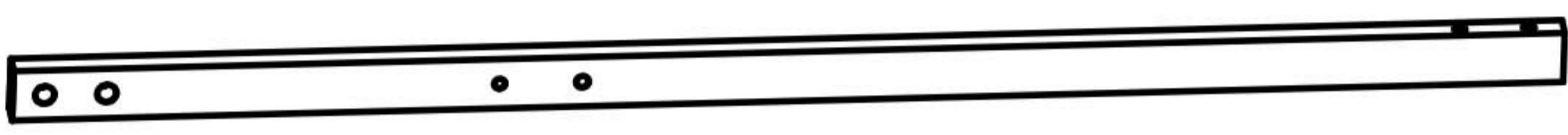
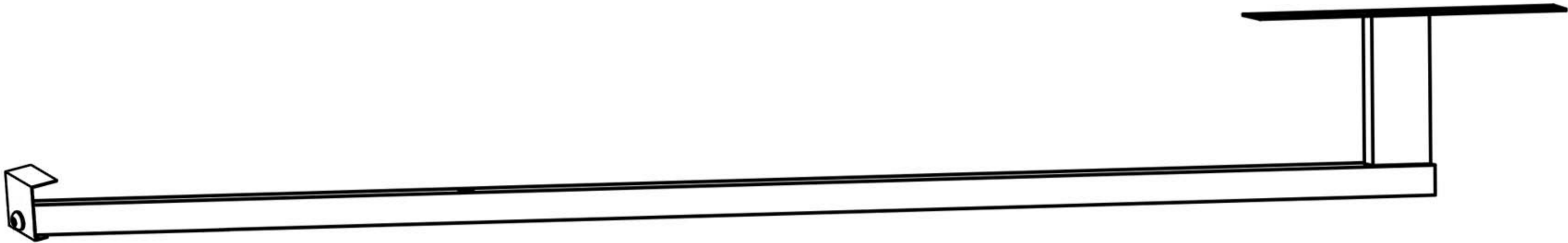
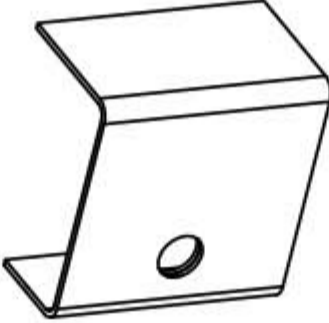
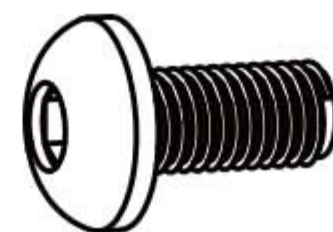
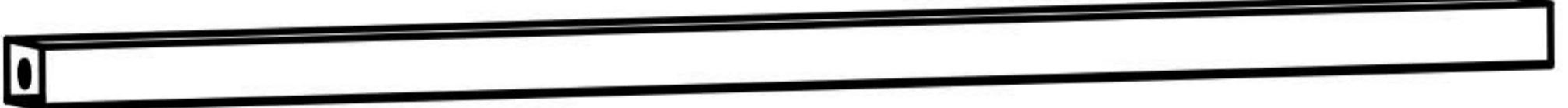
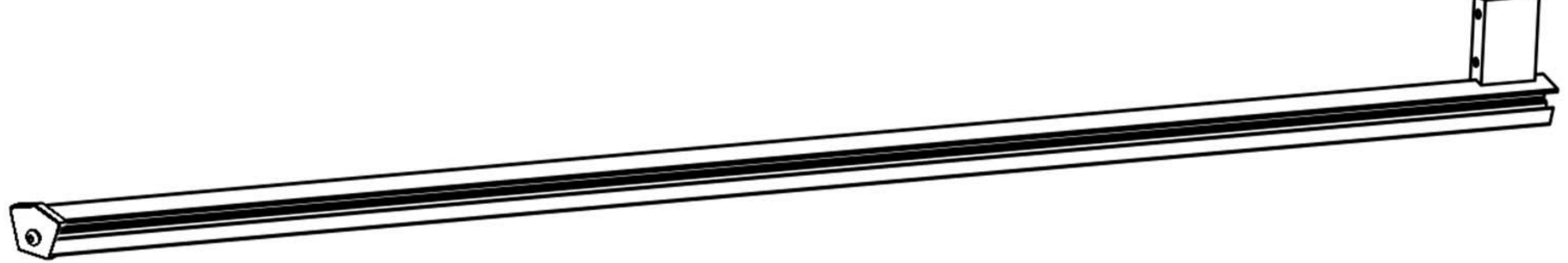

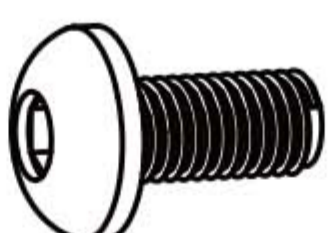

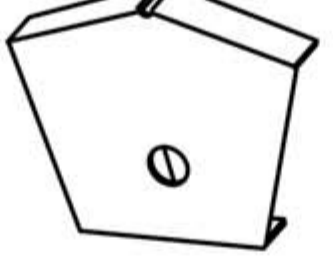
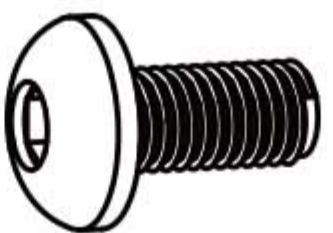
Please take care of the screws and contact the after-sales service if there is any problem with the installation or parts.



ACCESSORY CATALOGUE

BOX 2


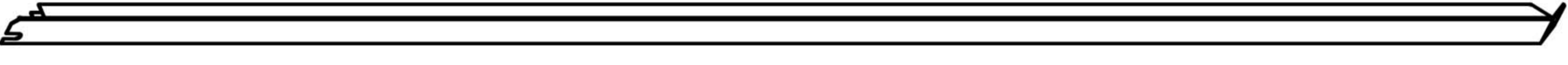


SKU: A001G055-2

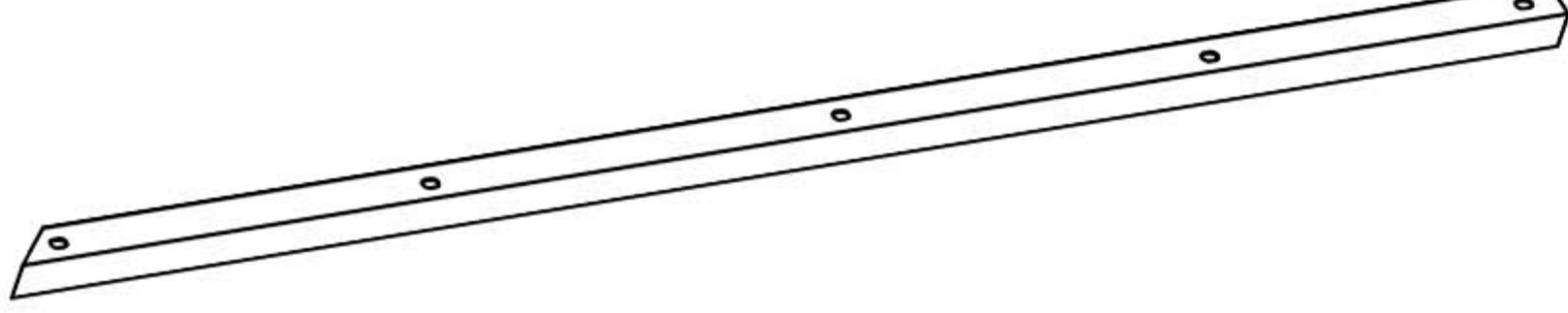
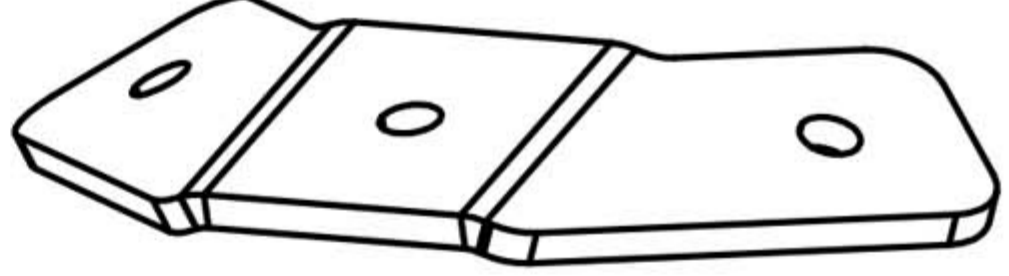
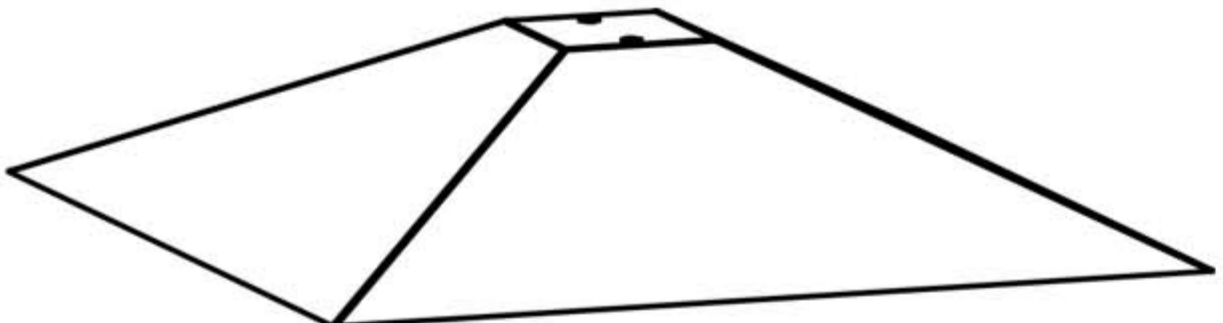
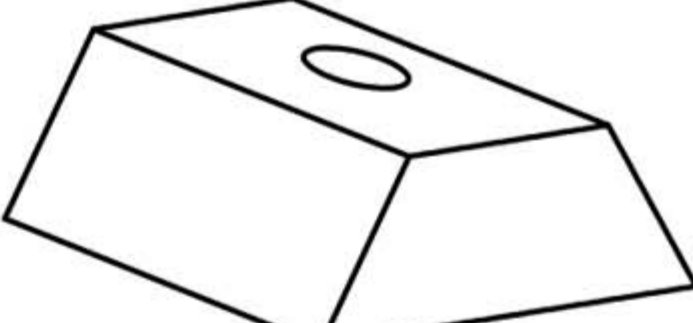

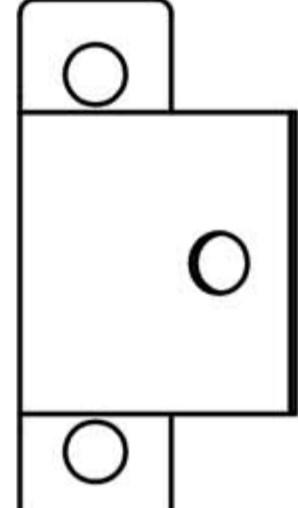
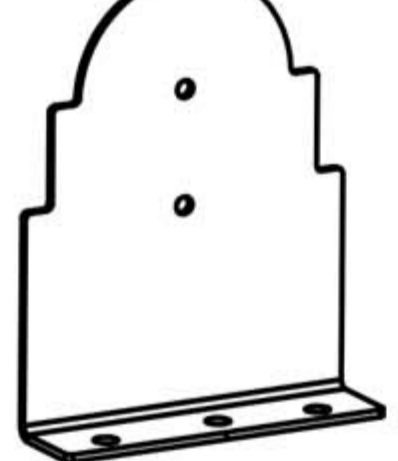
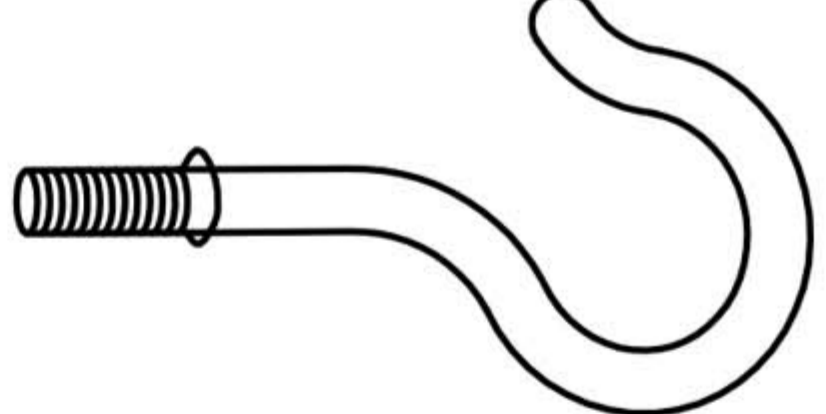
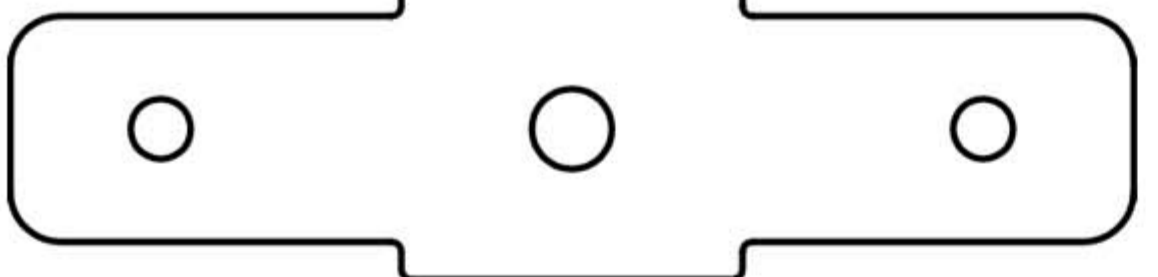
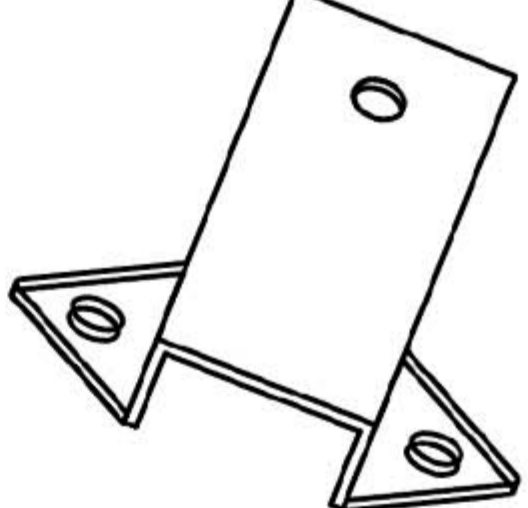
Item no.	Reference Image	Qty.
C		8
D	  M1 X4  X X4 M6X15mm	4
D1		4
E	  M2 X4  X X4 M6X15mm	4
E1	  M2 X4  X X4 M6X15mm	4

Please take care of the screws and contact the after-sales service if there is any problem with the installation or parts.

➔  E-mail: cs.helper01@gmail.com

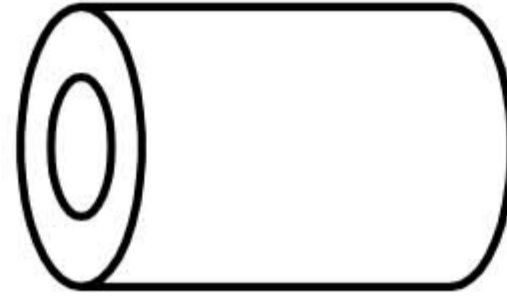


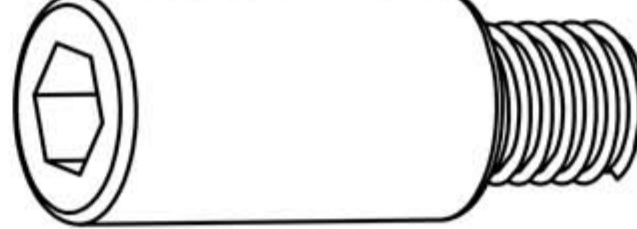
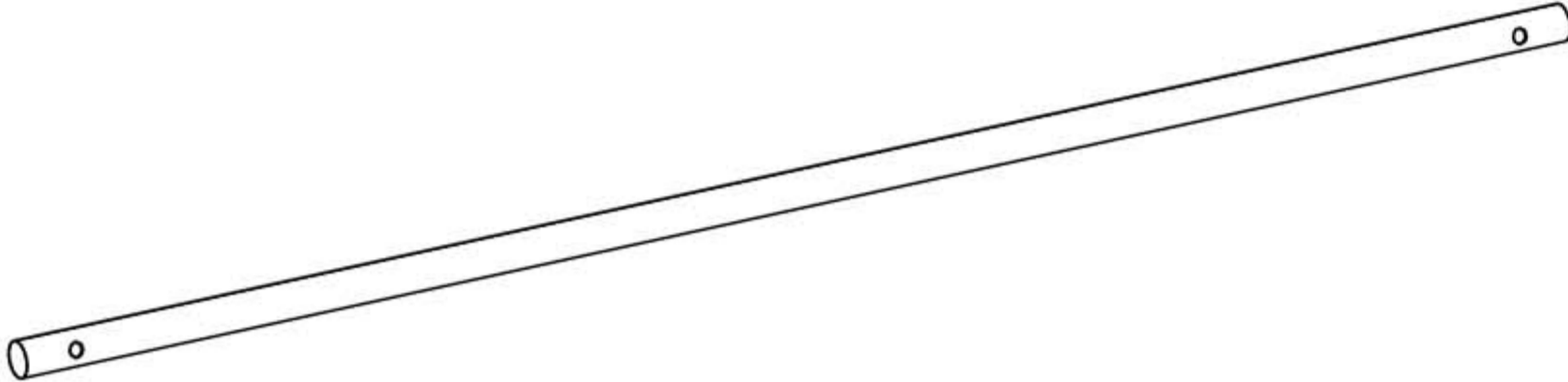
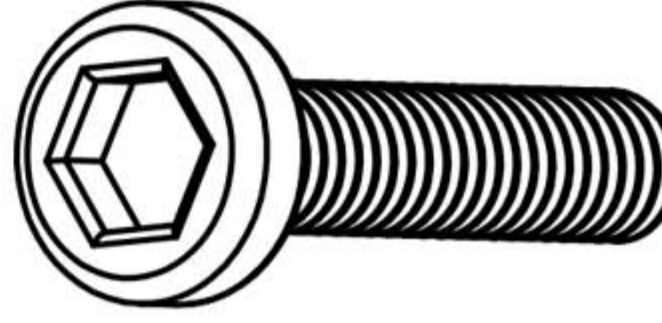
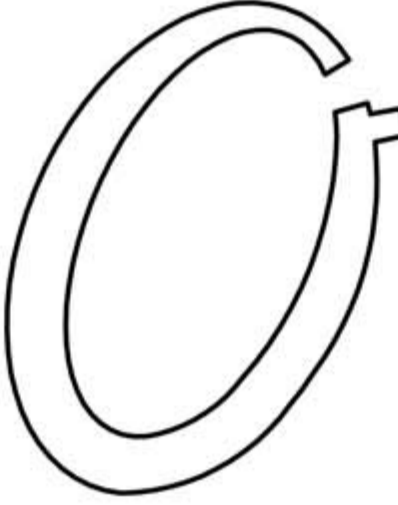

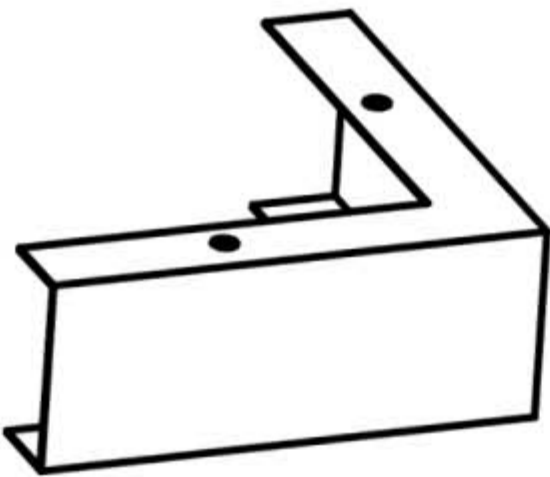
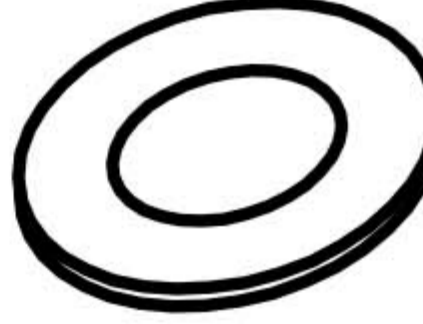
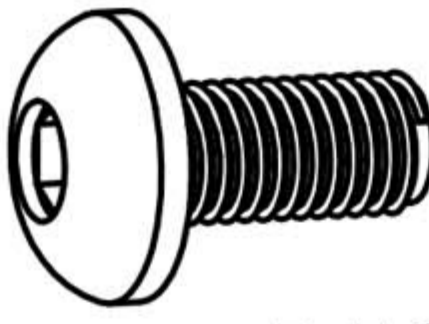
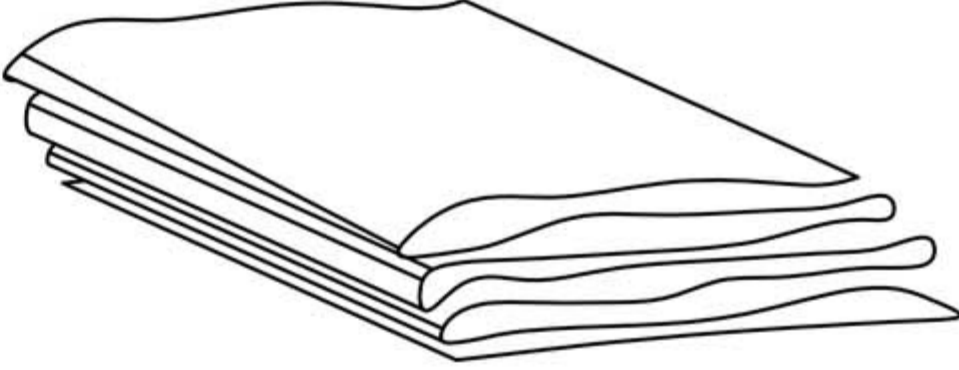
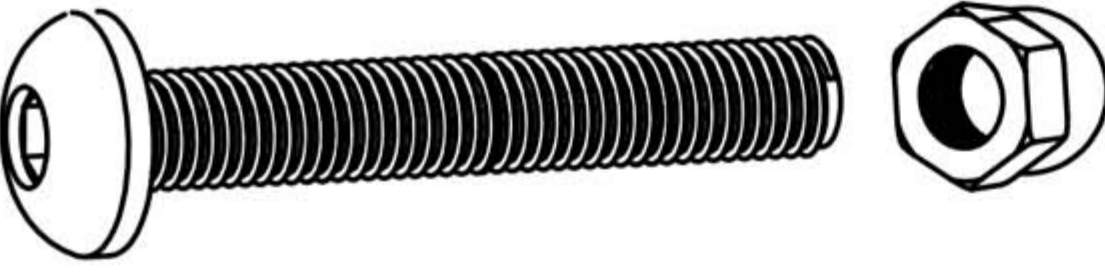
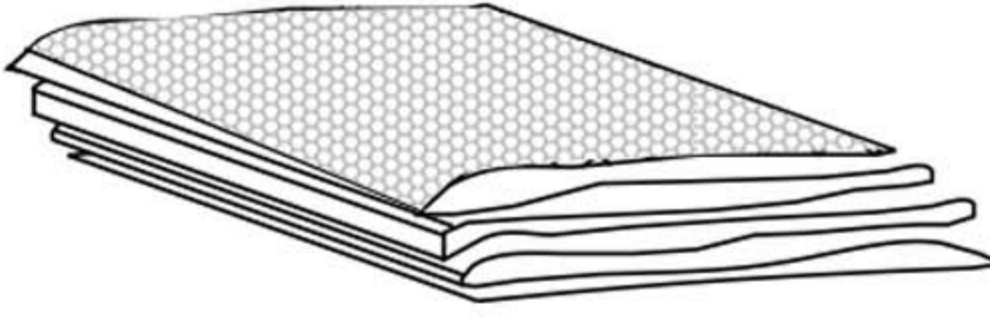
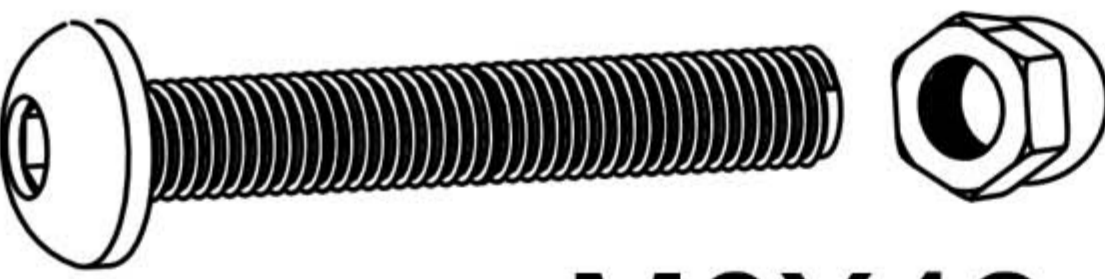
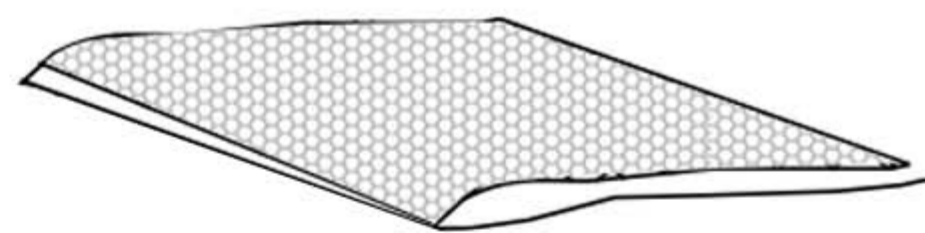
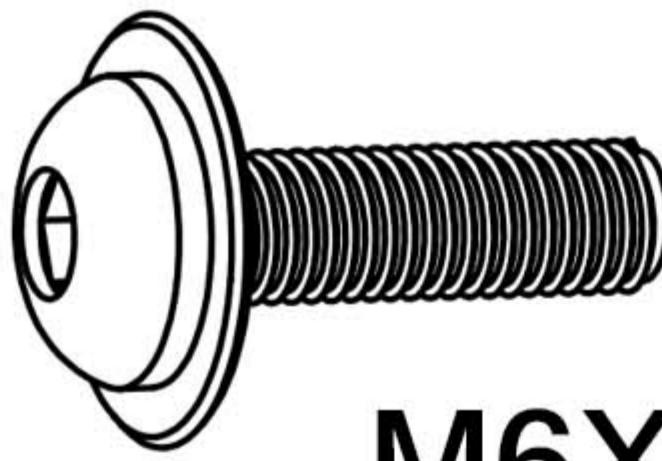
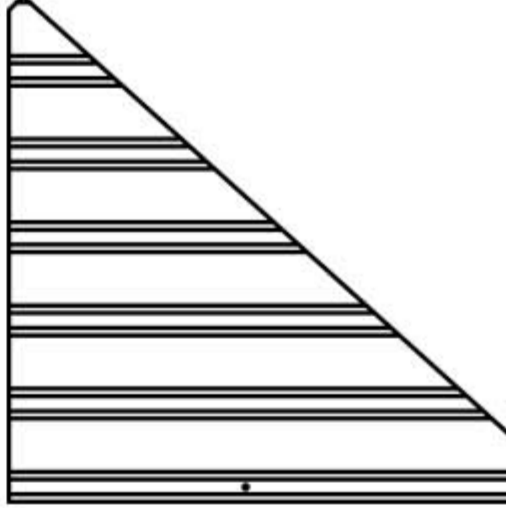
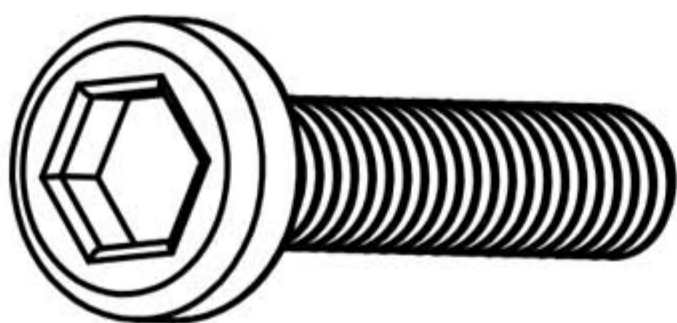
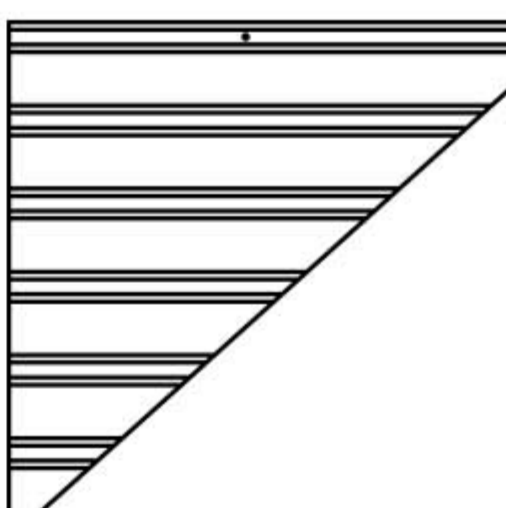
ACCESSORY CATALOGUE

Item no.	Reference Image	Qty.
G		4
G1		4
G5		4
G10		4

Item no.	Reference Image	Qty.	Item no.	Reference Image	Qty.
H		8	M4		4
K		1	M5		32
K1		1	M6		4
L		12	M7		1
M3		4	M8		4

Please take care of the screws and contact the after-sales service if there is any problem with the installation or parts.

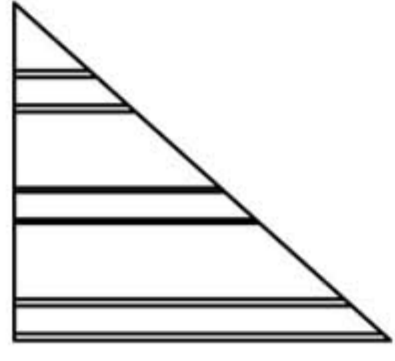
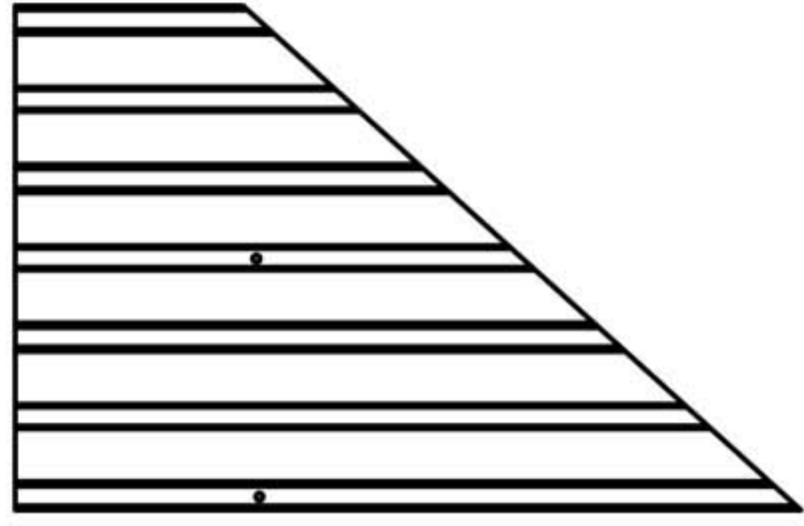


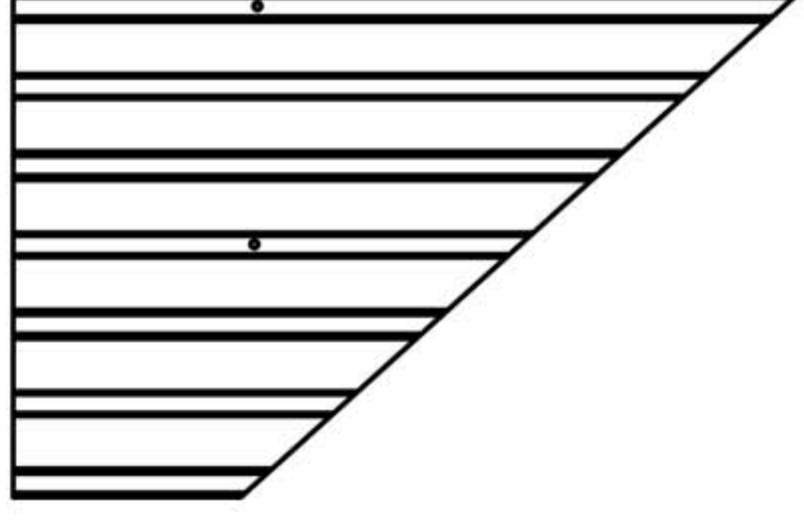
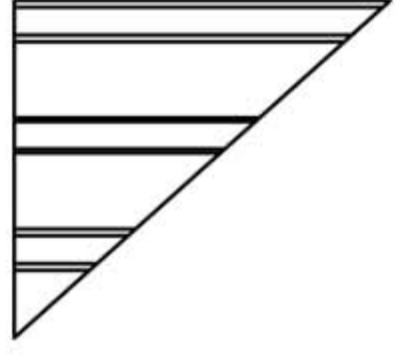
ACCESSORY CATALOGUE


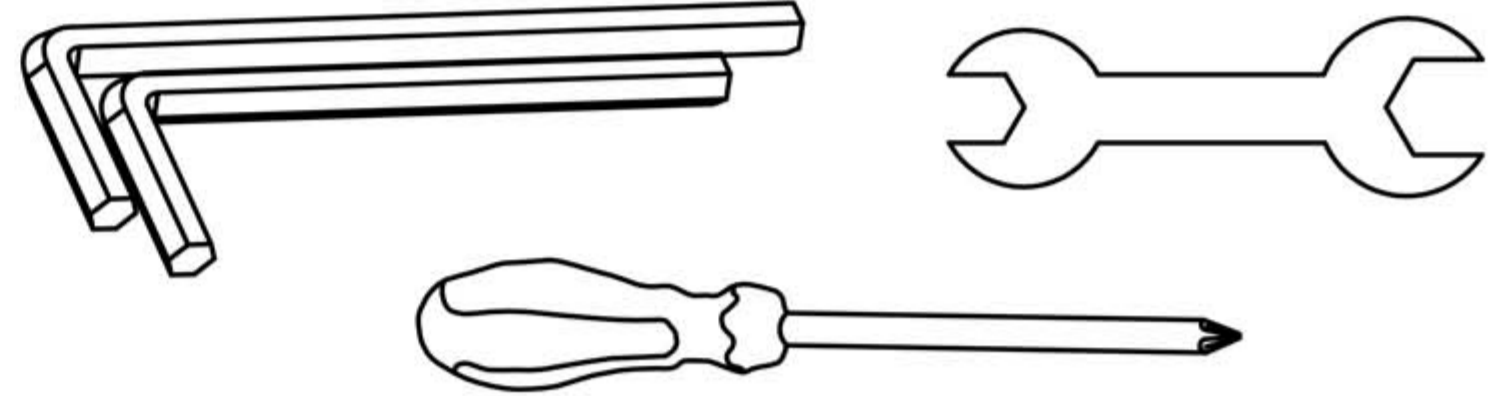
Item no.	Reference Image	Qty.	Item no.	Reference Image	Qty.
M9		32	X5	 M4X25mm	24
P		4	X6	 M6X10mm	16
J		16	X8	 M6X25mm	16
Q		48	X9	 M5X15mm	16
W		4	X10		16
X	 M6X15mm	116	Z		1
X1	 M6X38mm	4	Z1		1
X2	 M6X42mm	28	Z2		1
X3	 M6X30mm	4	O4		4
X4	 M6X75mm	16	V4		4

Please take care of the screws and contact the after-sales service if there is any problem with the installation or parts.

➔ ✉ E-mail: cs.helper01@gmail.com

ACCESSORY CATALOGUE

Item no.	Reference Image	Qty.
O1		4
O2		4
O3		4
V3		4
V2		4
V1		4

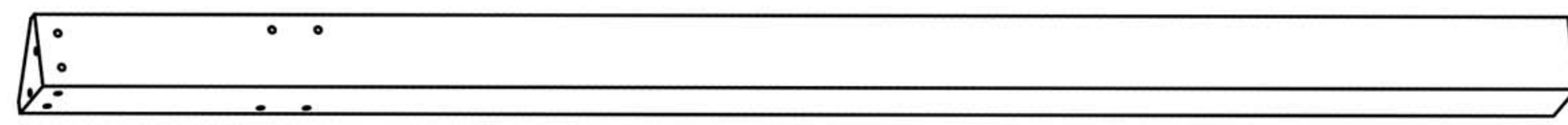
Item no.	Reference Image	Qty.
2		8
3		1

Please take care of the screws and contact the after-sales service if there is any problem with the installation or parts.

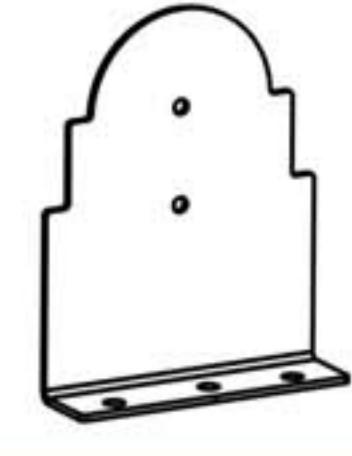


STEP 1

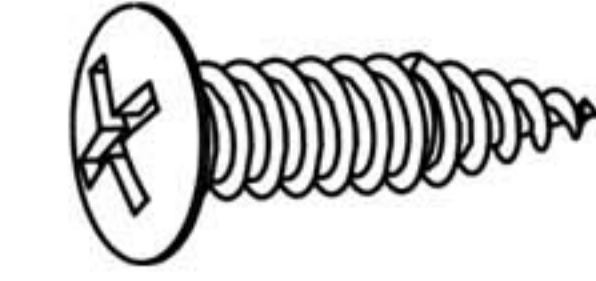
Parts required



A 4pcs



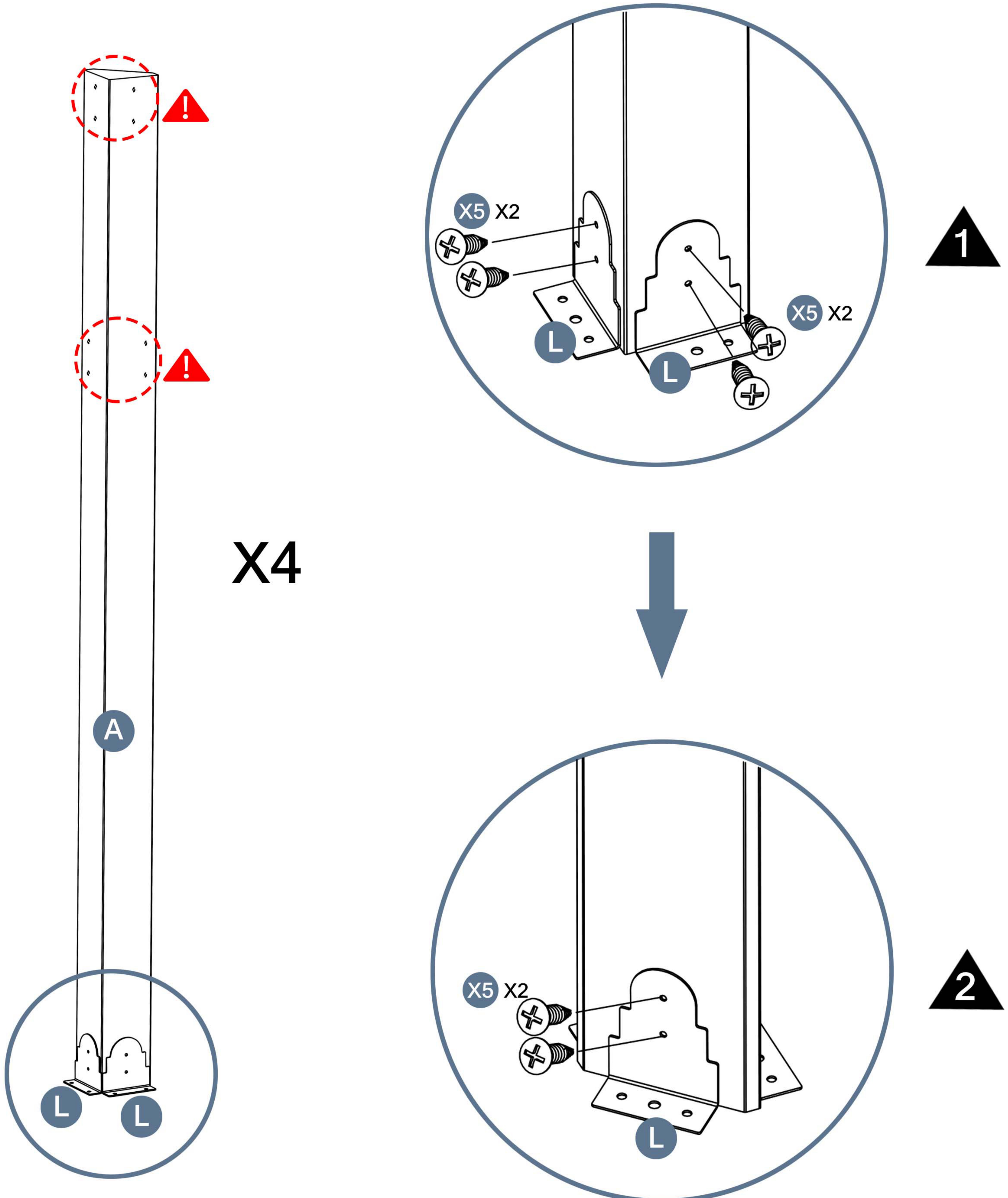
L 12pcs



X5 24pcs

1 → 2

! Please note the orientation of the hole.

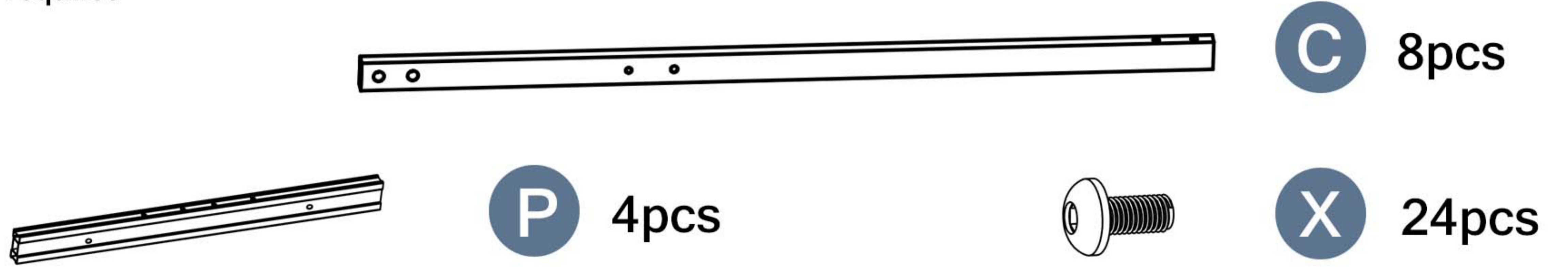


Please take care of the screws and contact the after-sales service if there is any problem with the installation or parts.

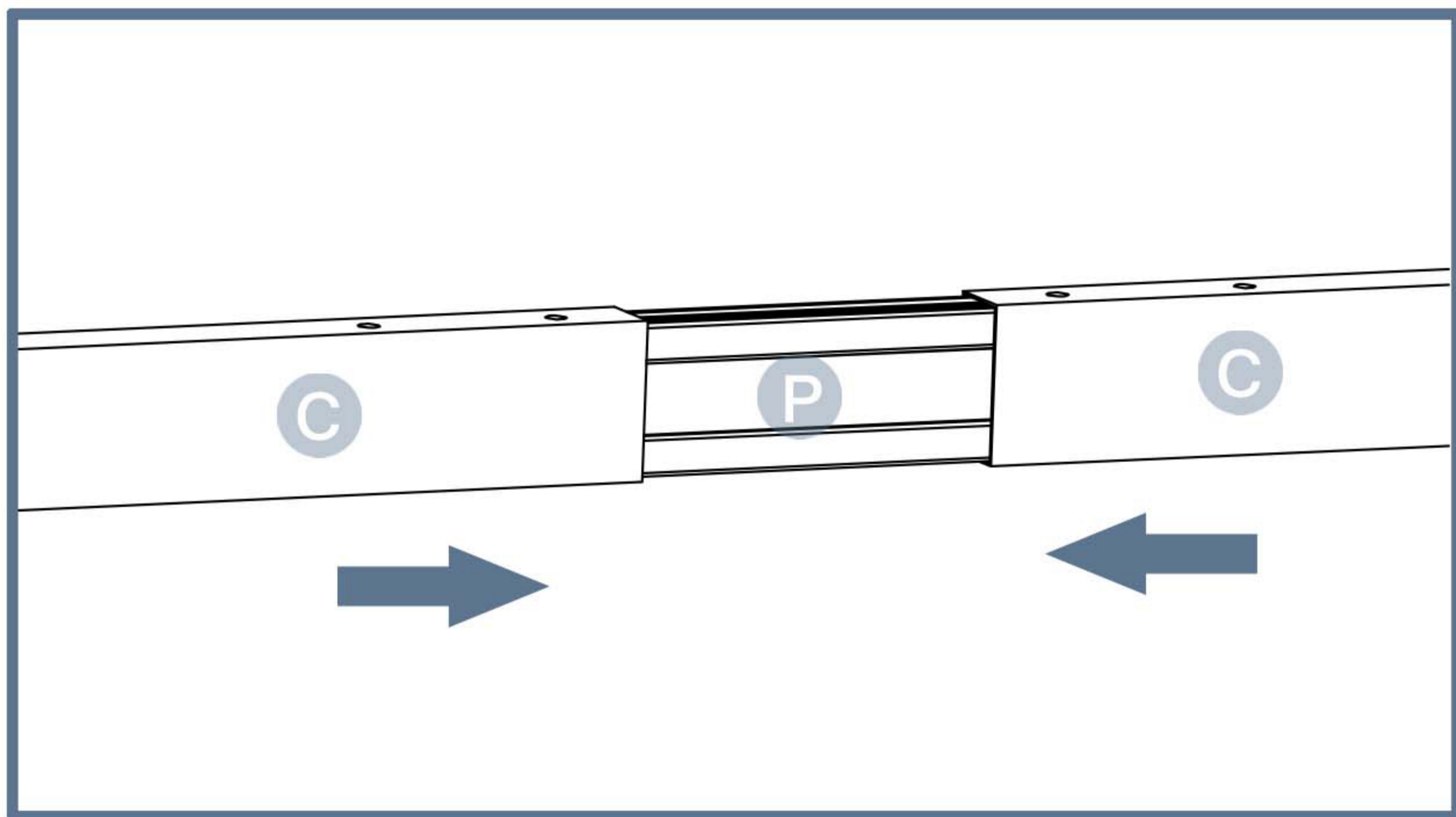
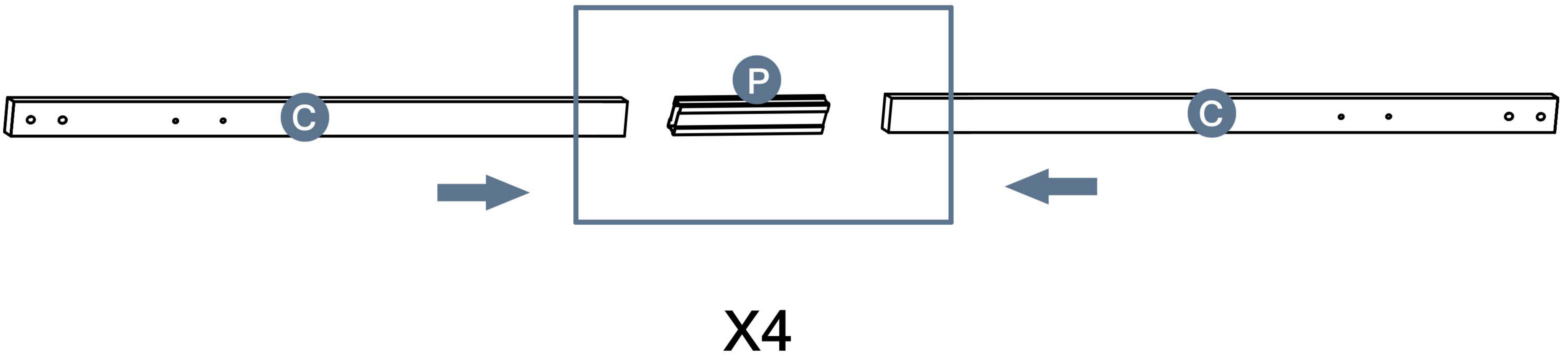
➔ ✉ E-mail: cs.helper01@gmail.com

STEP 2

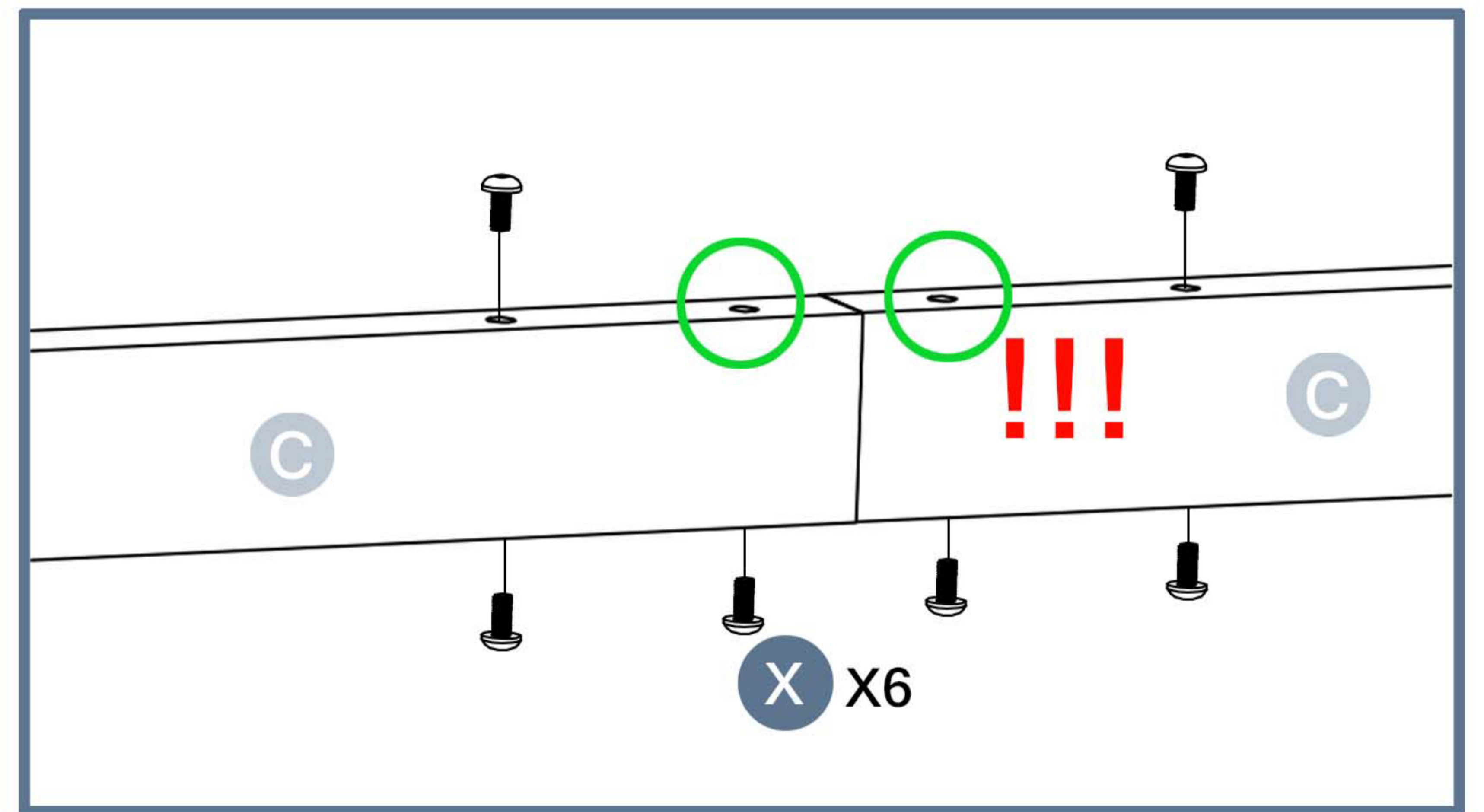
Parts required



1 → 2



1



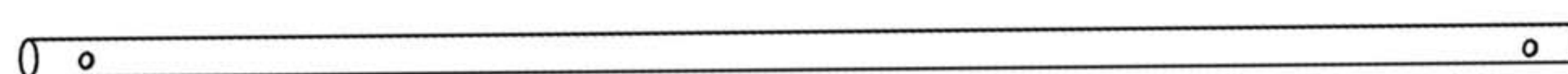
2

!!! Pay attention not to install screws in the green circle for the time being. Step 7 is screwing.

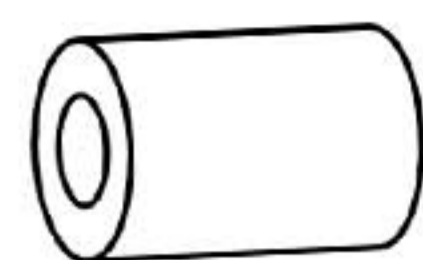
Please take care of the screws and contact the after-sales service if there is any problem with the installation or parts.

STEP 3

Parts required



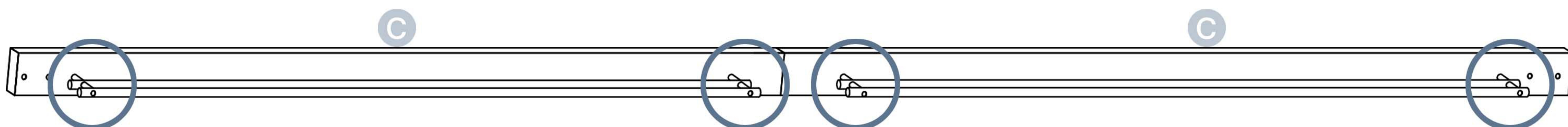
J 16pcs



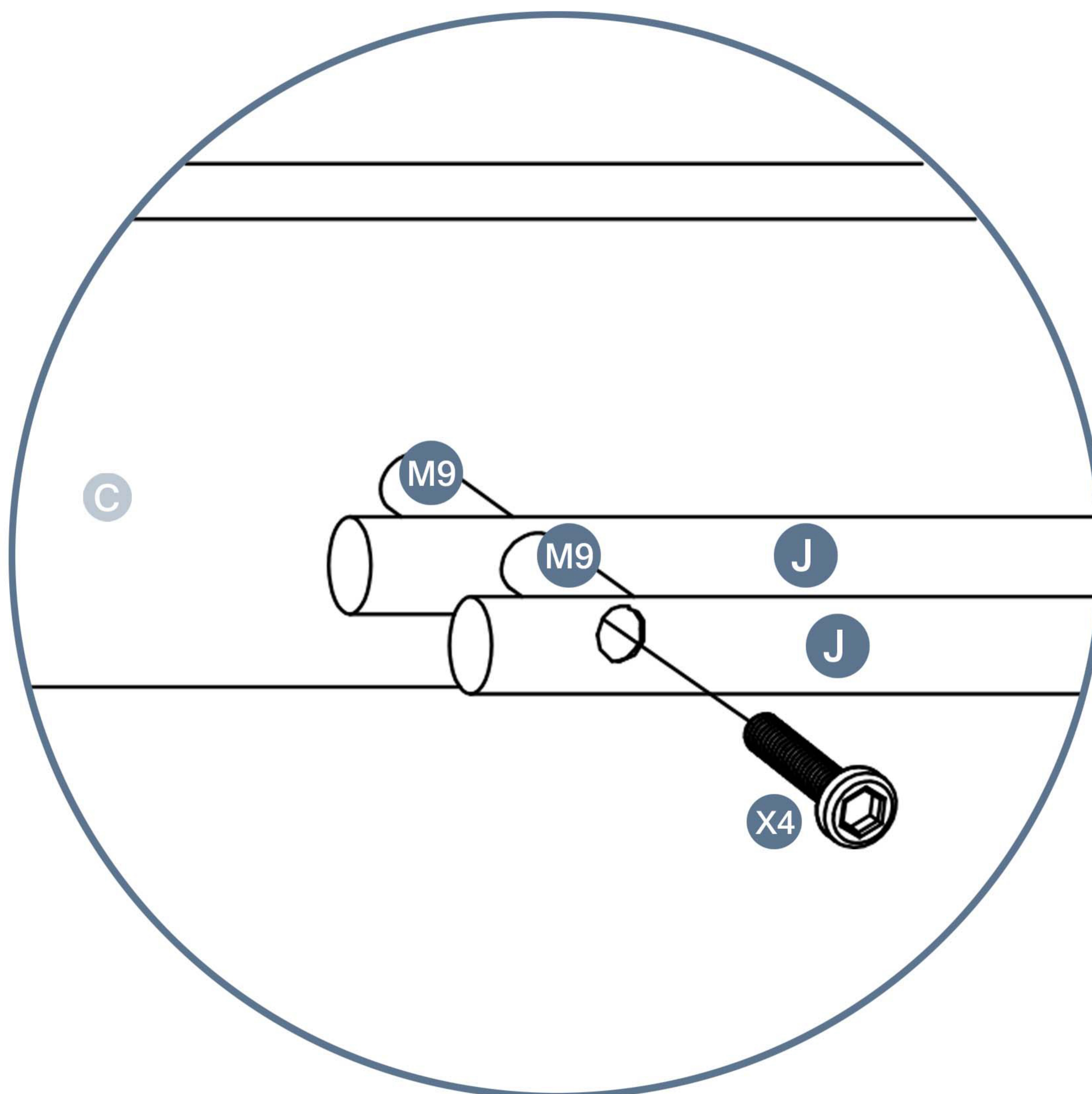
M9 32pcs



X4 16pcs



X4

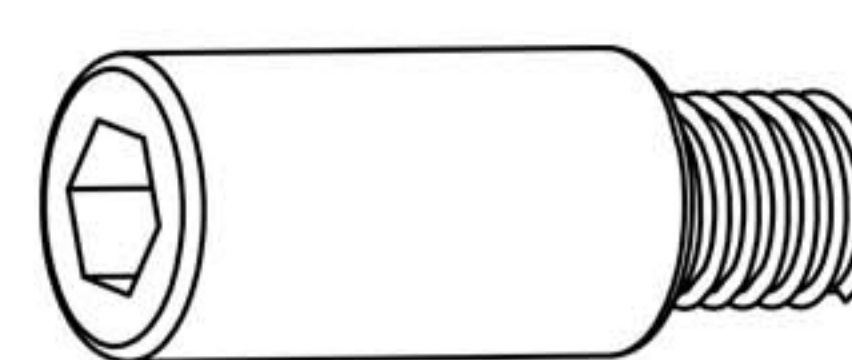


Please take care of the screws and contact the after-sales service if there is any problem with the installation or parts.

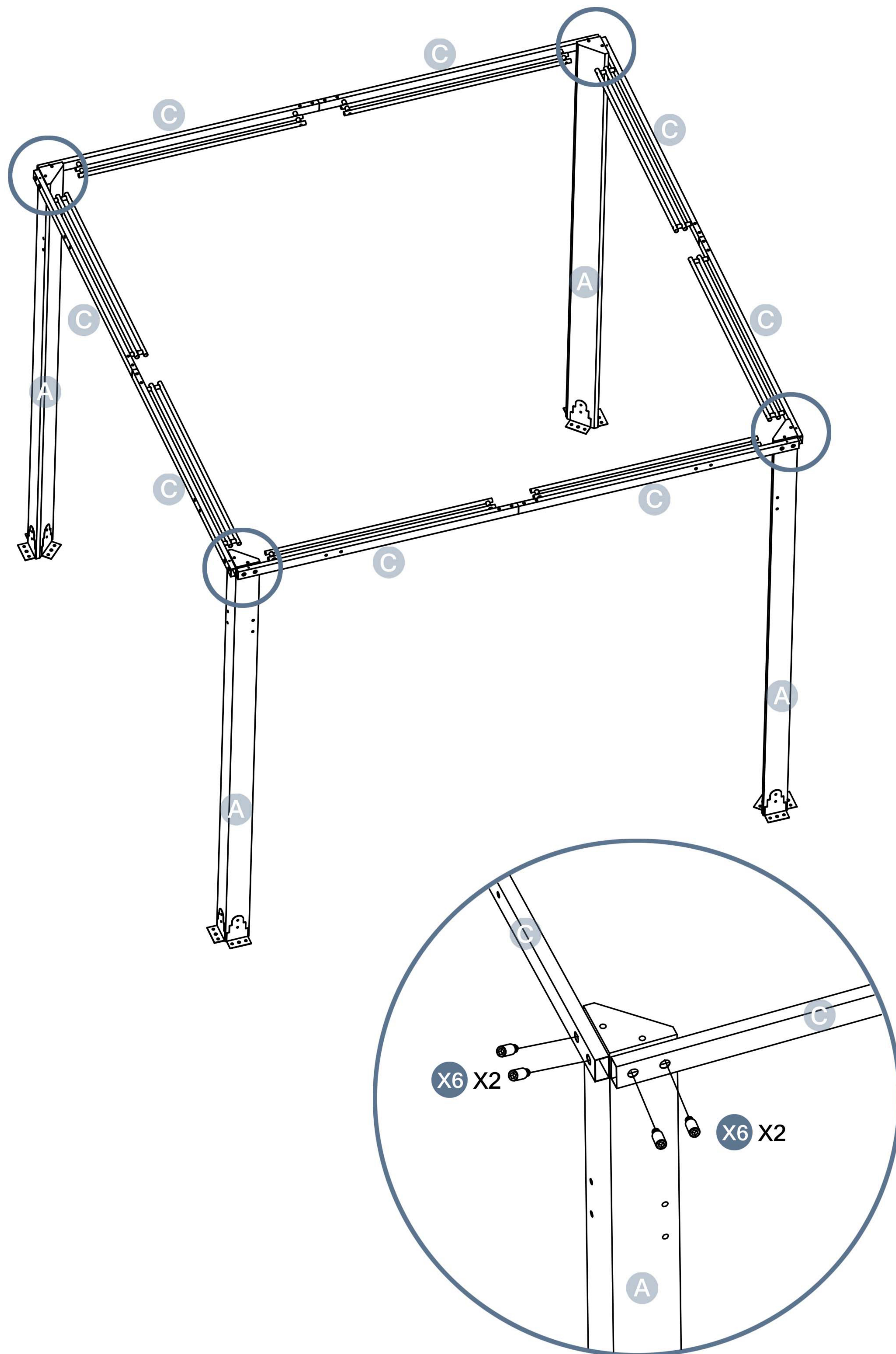
➔ ✉ E-mail: cs.helper01@gmail.com

STEP 4

Parts required



X6 16pcs

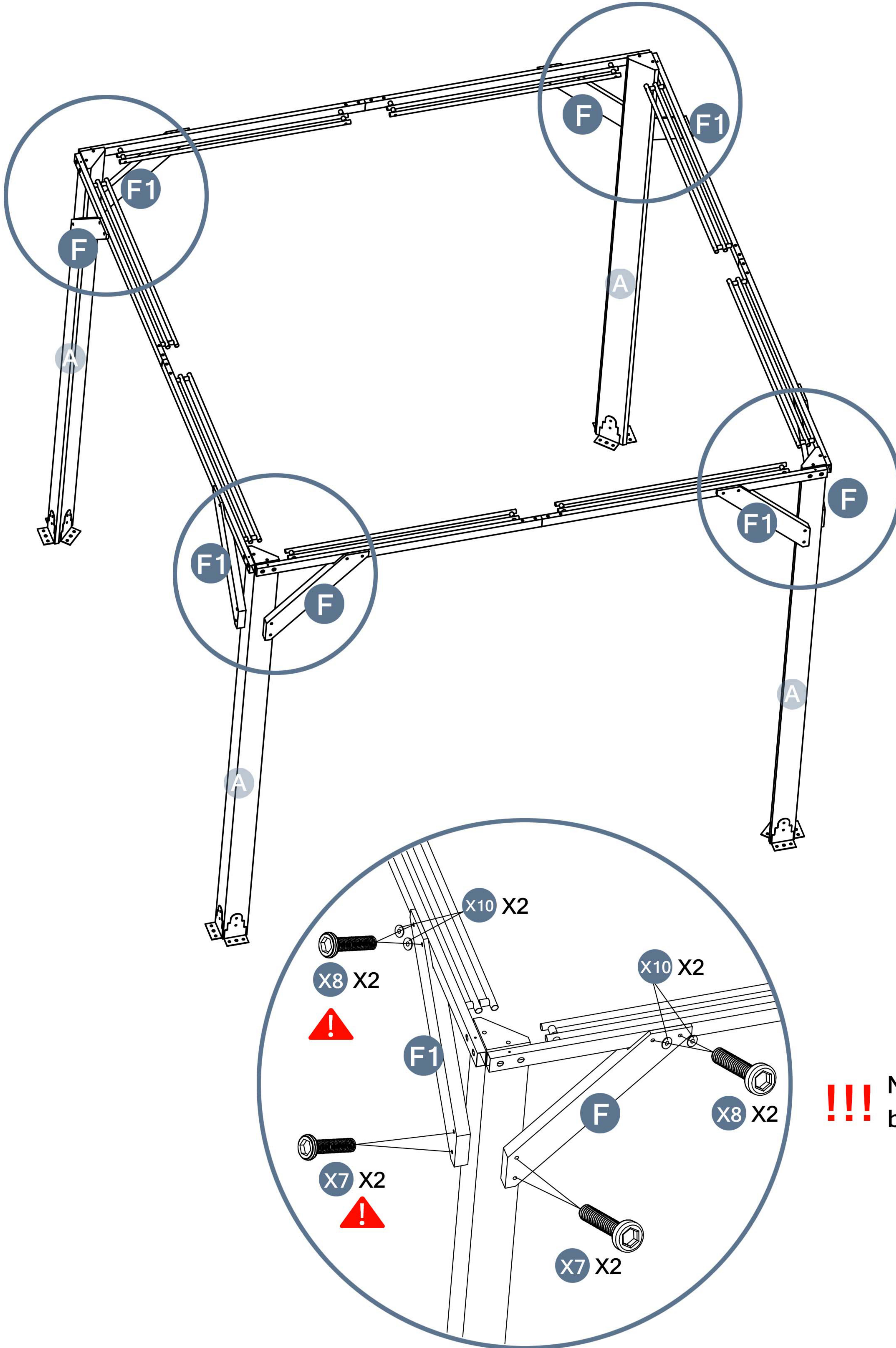
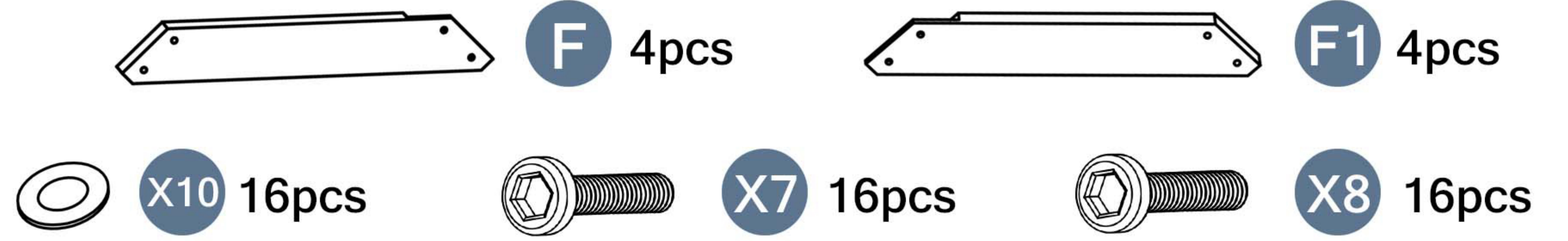


Please take care of the screws and contact the after-sales service if there is any problem with the installation or parts.



STEP 5

Parts required



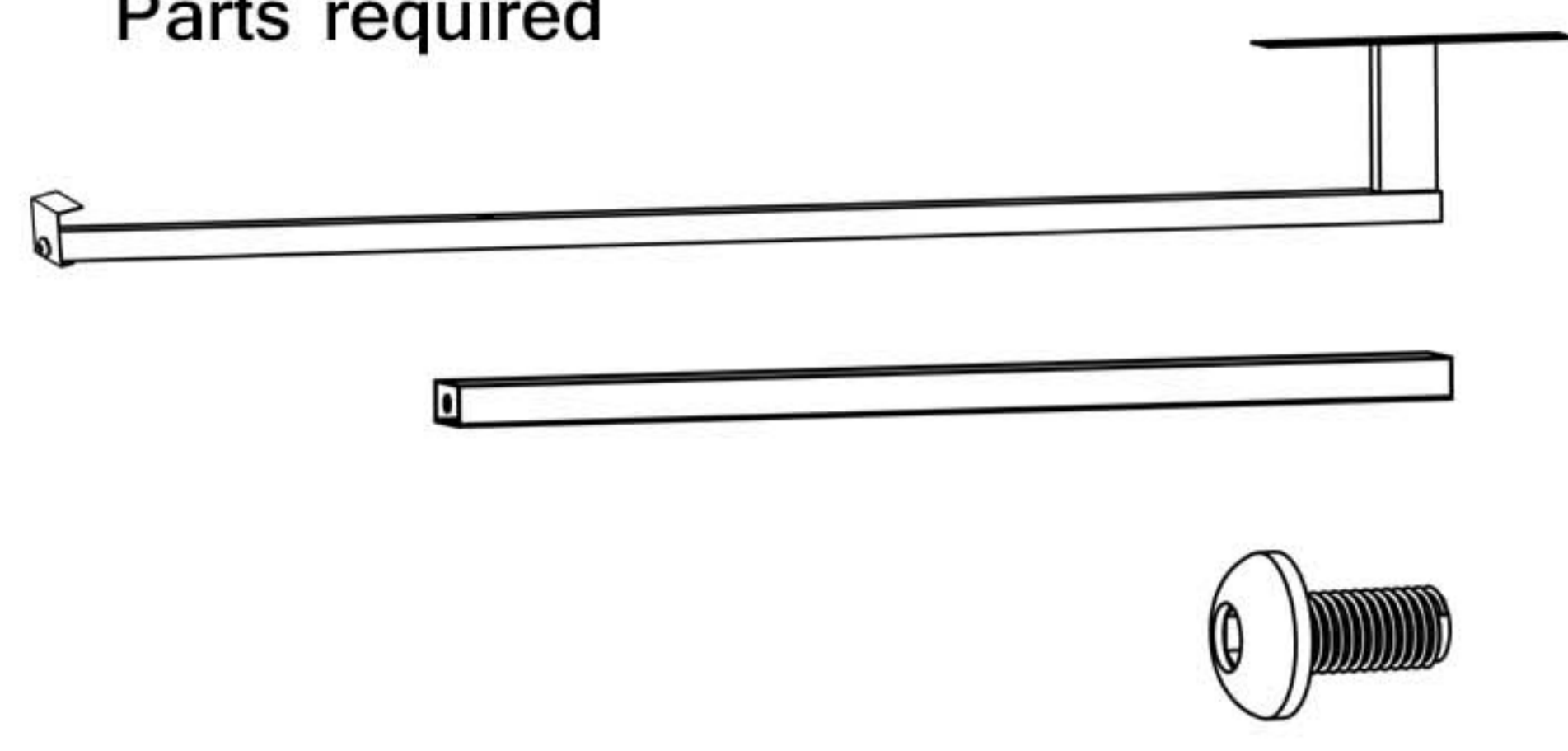
!!! Note ! the screws above and below are different.

Please take care of the screws and contact the after-sales service if there is any problem with the installation or parts.

➔ ✉ E-mail: cs.helper01@gmail.com

STEP 6

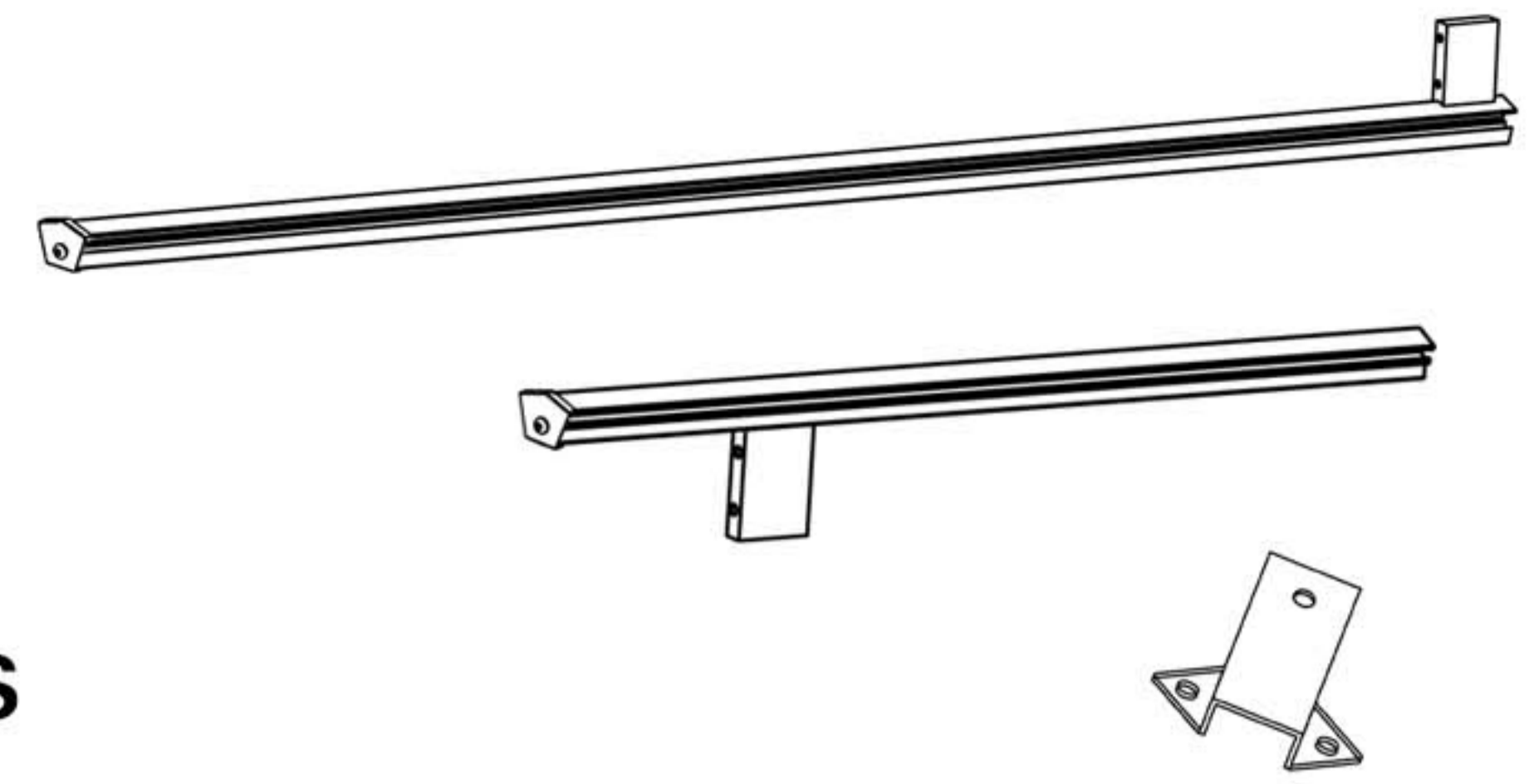
Parts required



D 4pcs

D1 4pcs

X 28pcs

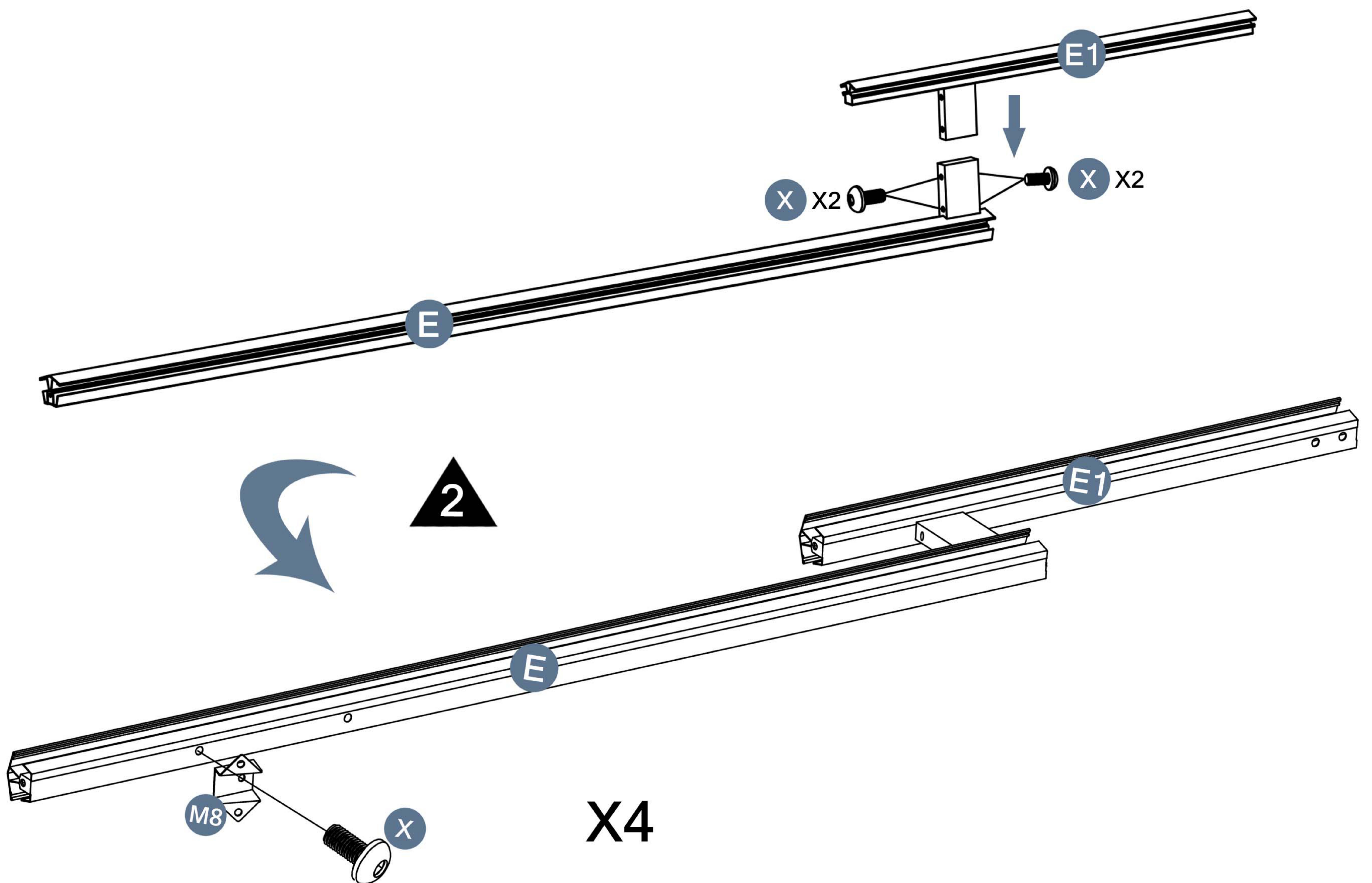
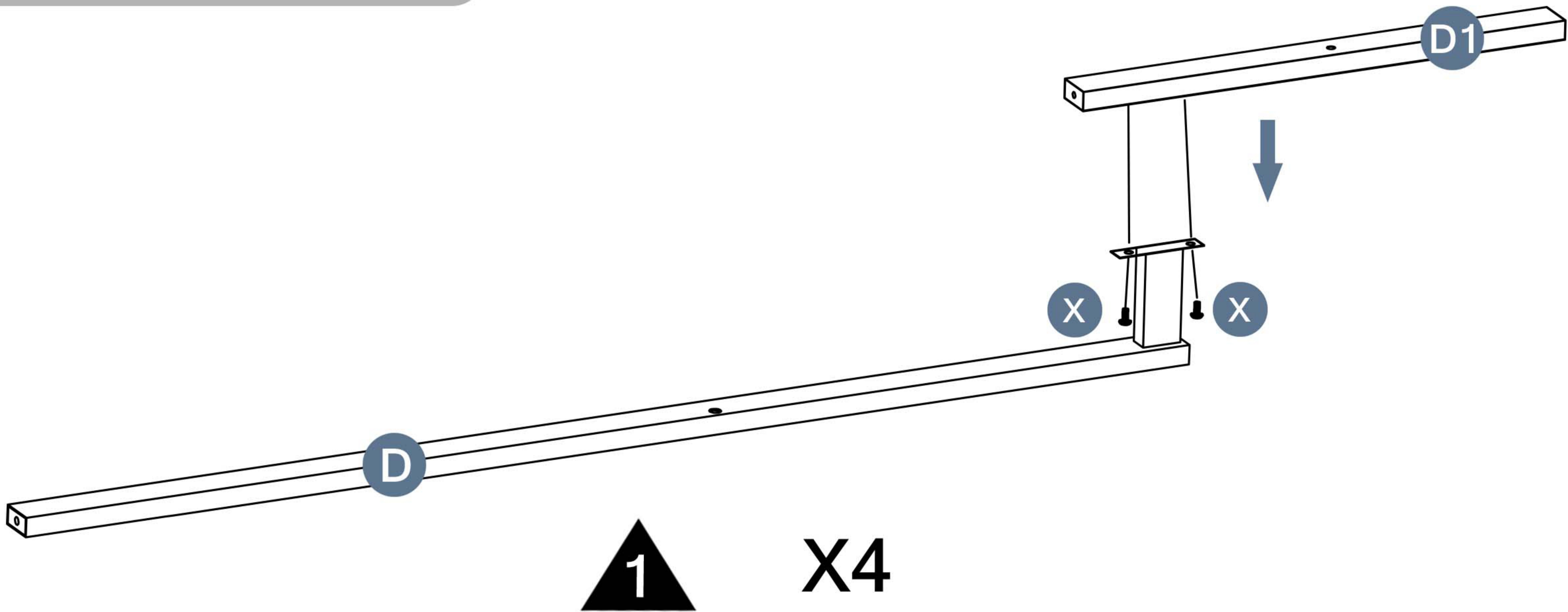


E 4pcs

E1 4pcs

M8 4pcs

1 → 2



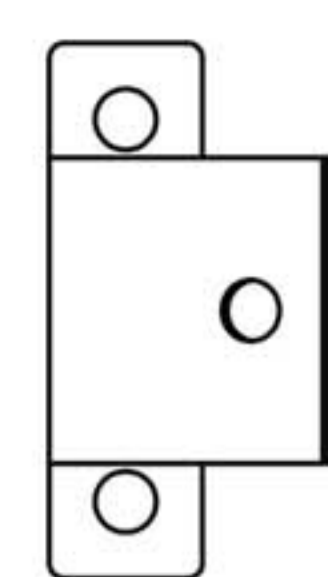
Please take care of the screws and contact the after-sales service if there is any problem with the installation or parts.



E-mail: cs.helper01@gmail.com

STEP 7

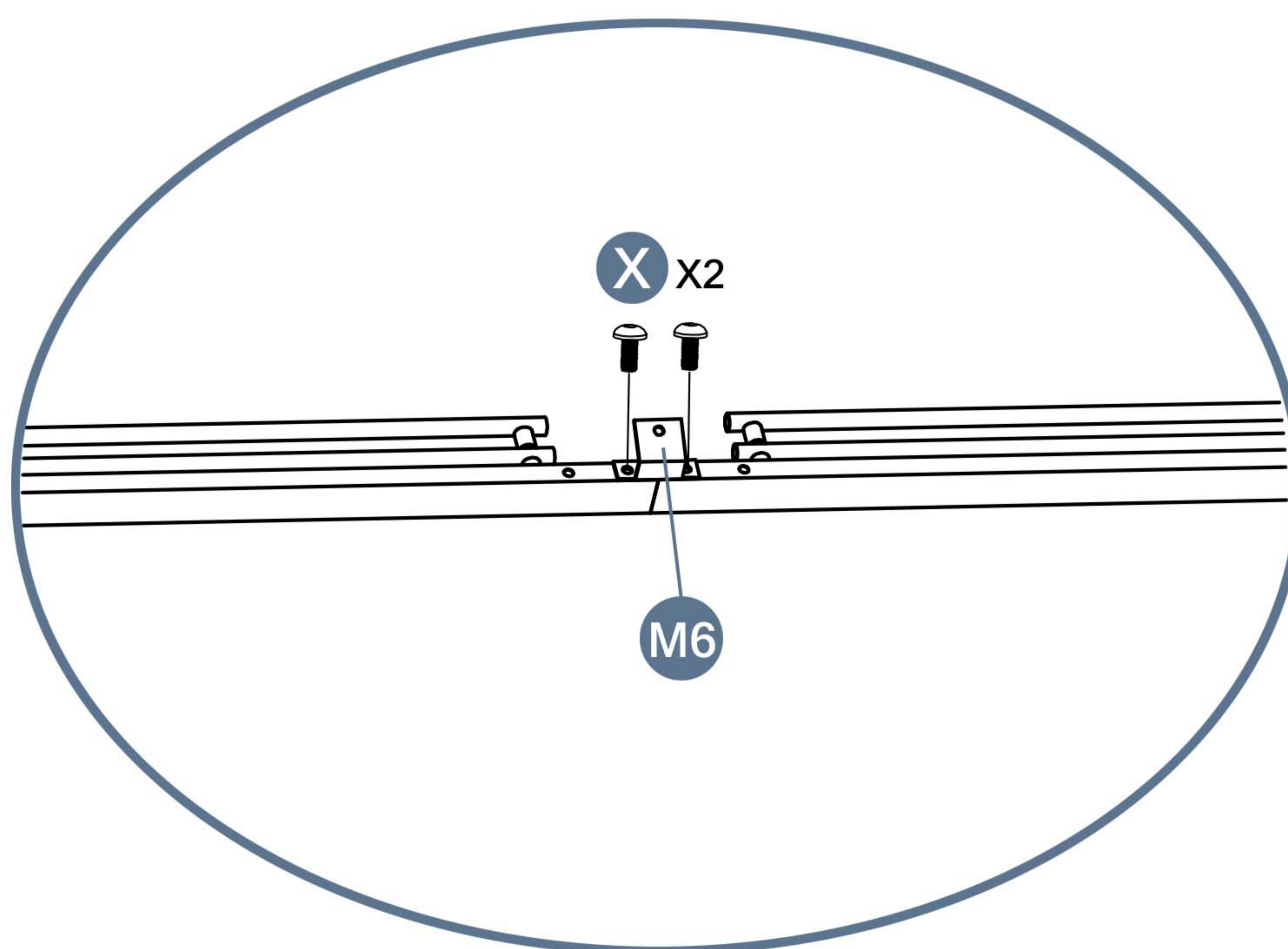
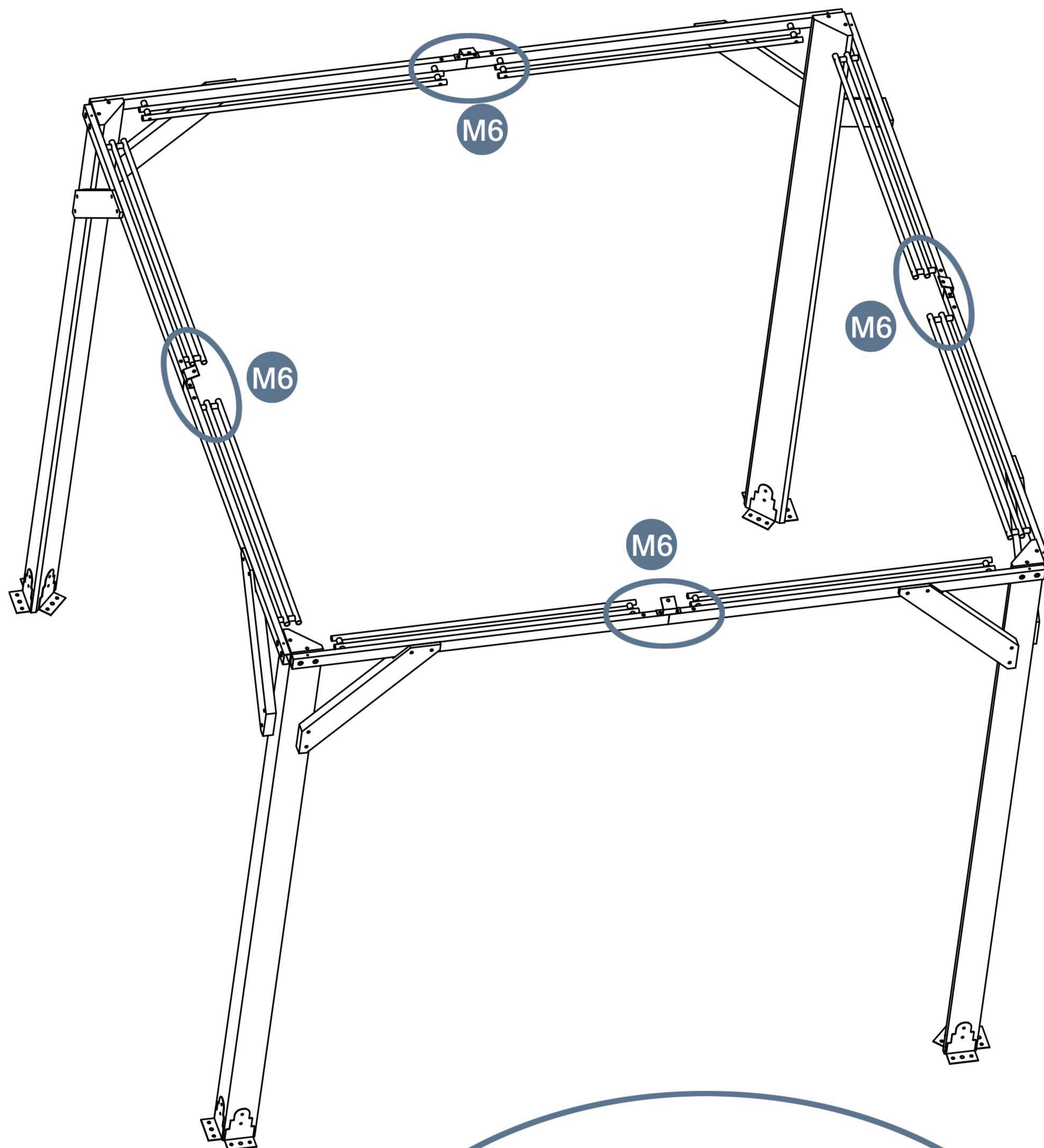
Parts required



M6 4pcs



X 8pcs



Please take care of the screws and contact the after-sales service if there is any problem with the installation or parts.

➔ ✉ E-mail: cs.helper01@gmail.com

STEP 8

Parts required

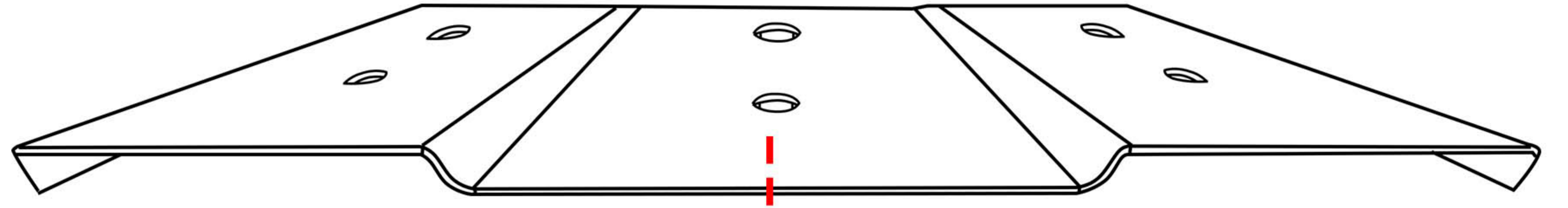


K1 1pcs



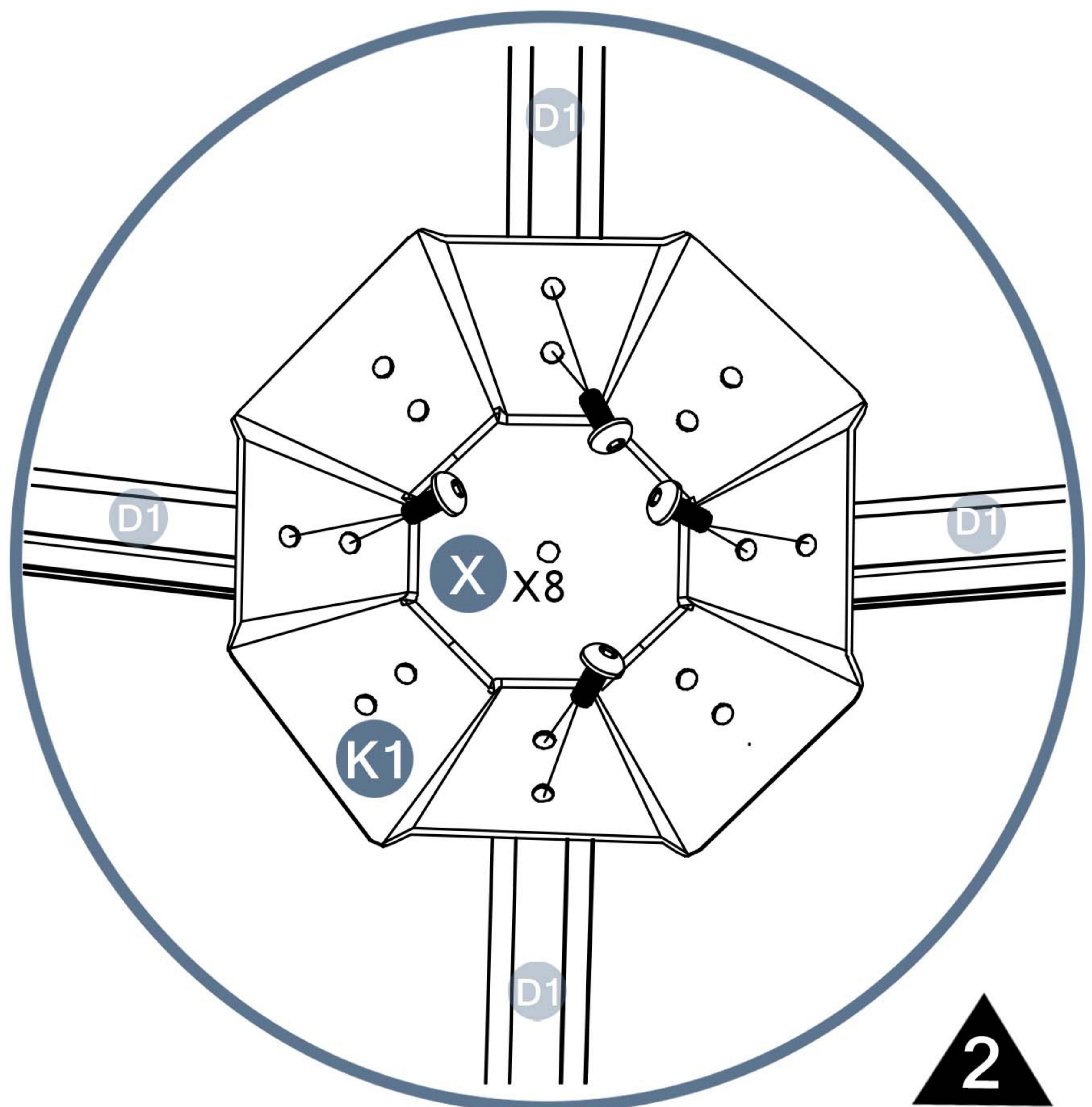
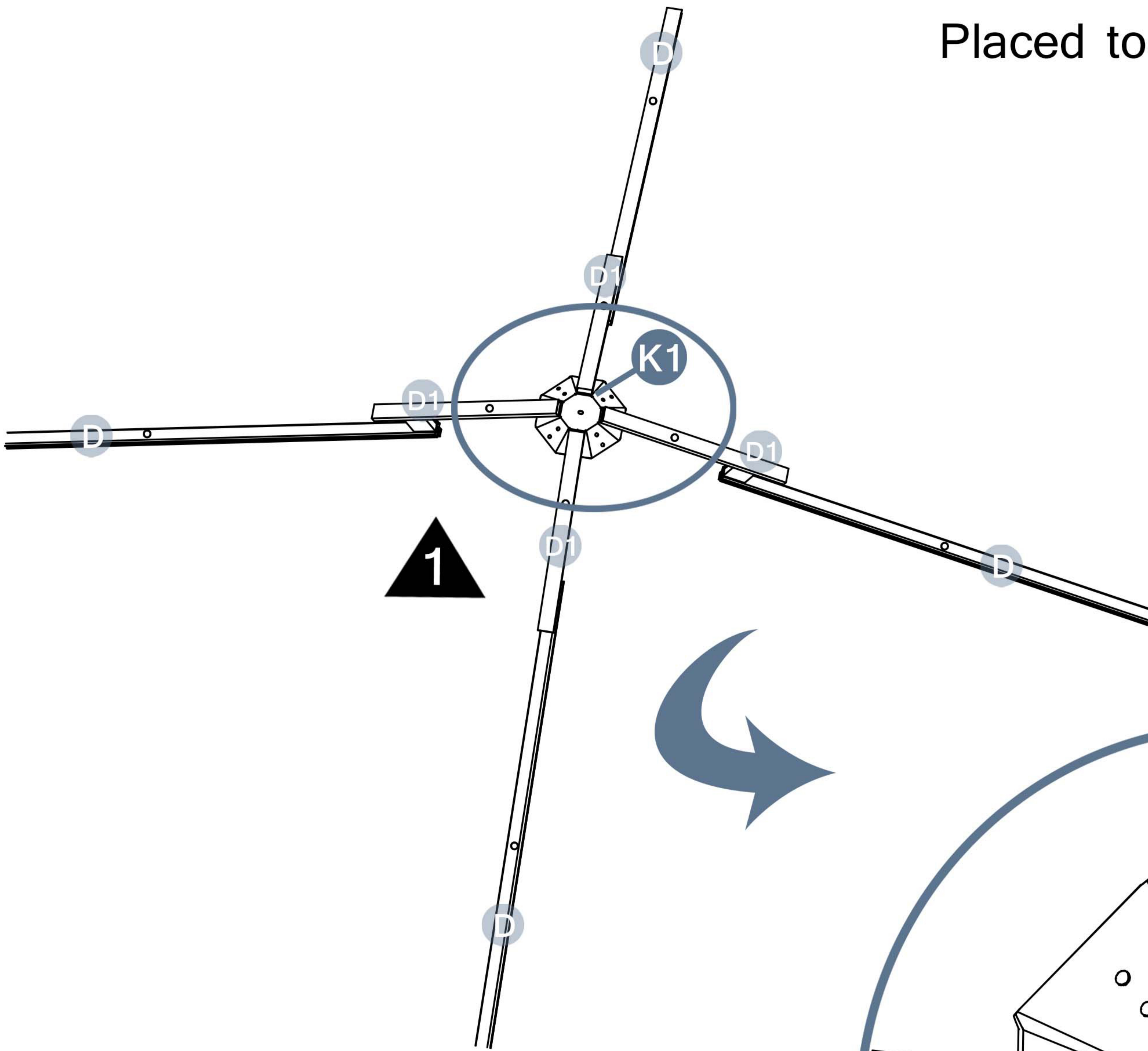
X 8pcs

1 → 2



concave side of the top plate

Placed to D1 tube , then fix by X

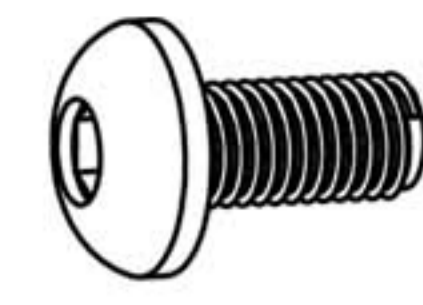


Please take care of the screws and contact the after-sales service if there is any problem with the installation or parts.

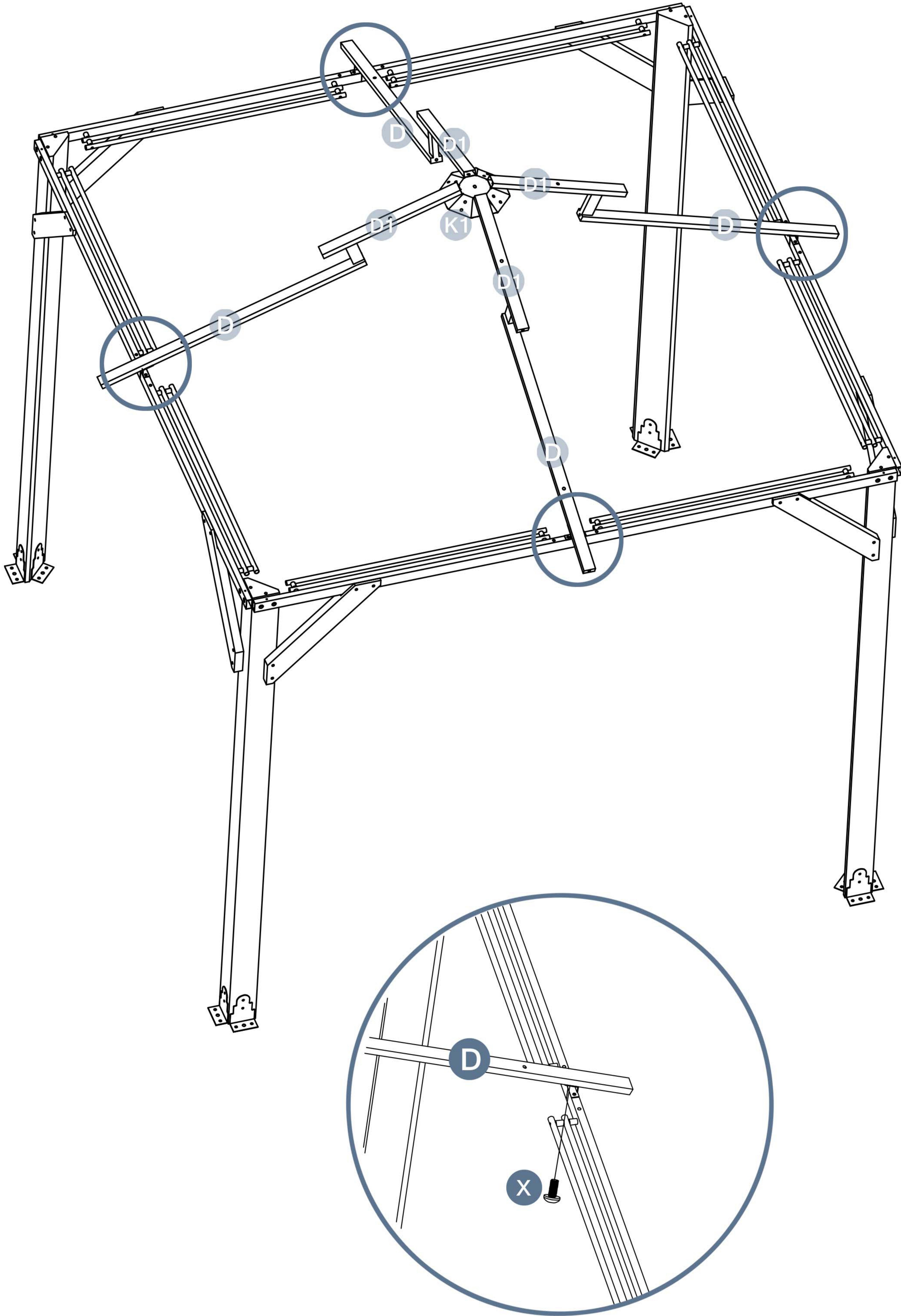


STEP 9

Parts required



X 4pcs



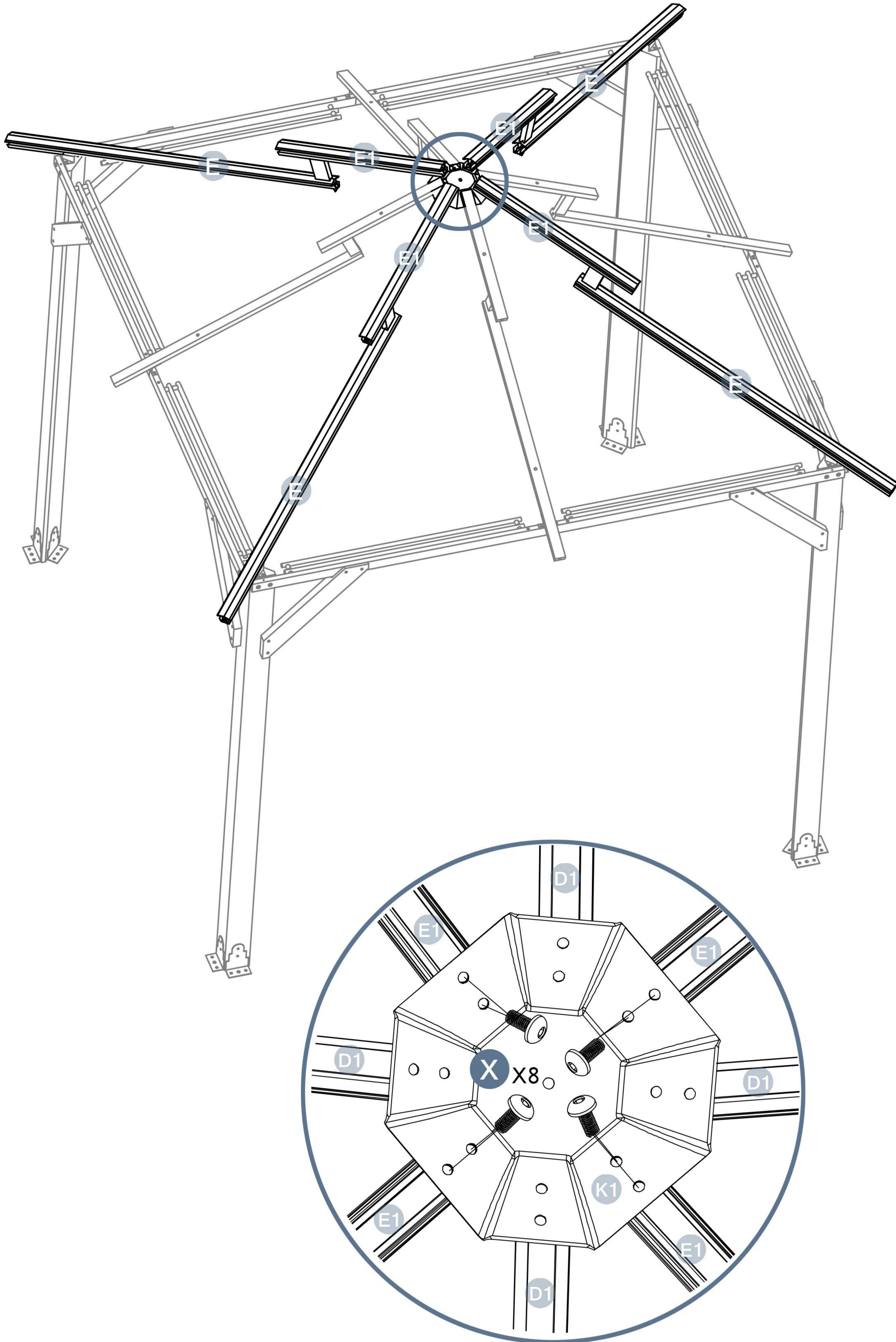
Please take care of the screws and contact the after-sales service if there is any problem with the installation or parts.

➔ ✉ E-mail: cs.helper01@gmail.com

STEP 10

Parts required

 X 8pcs



Please take care of the screws and contact the after-sales service if there is any problem with the installation or parts.



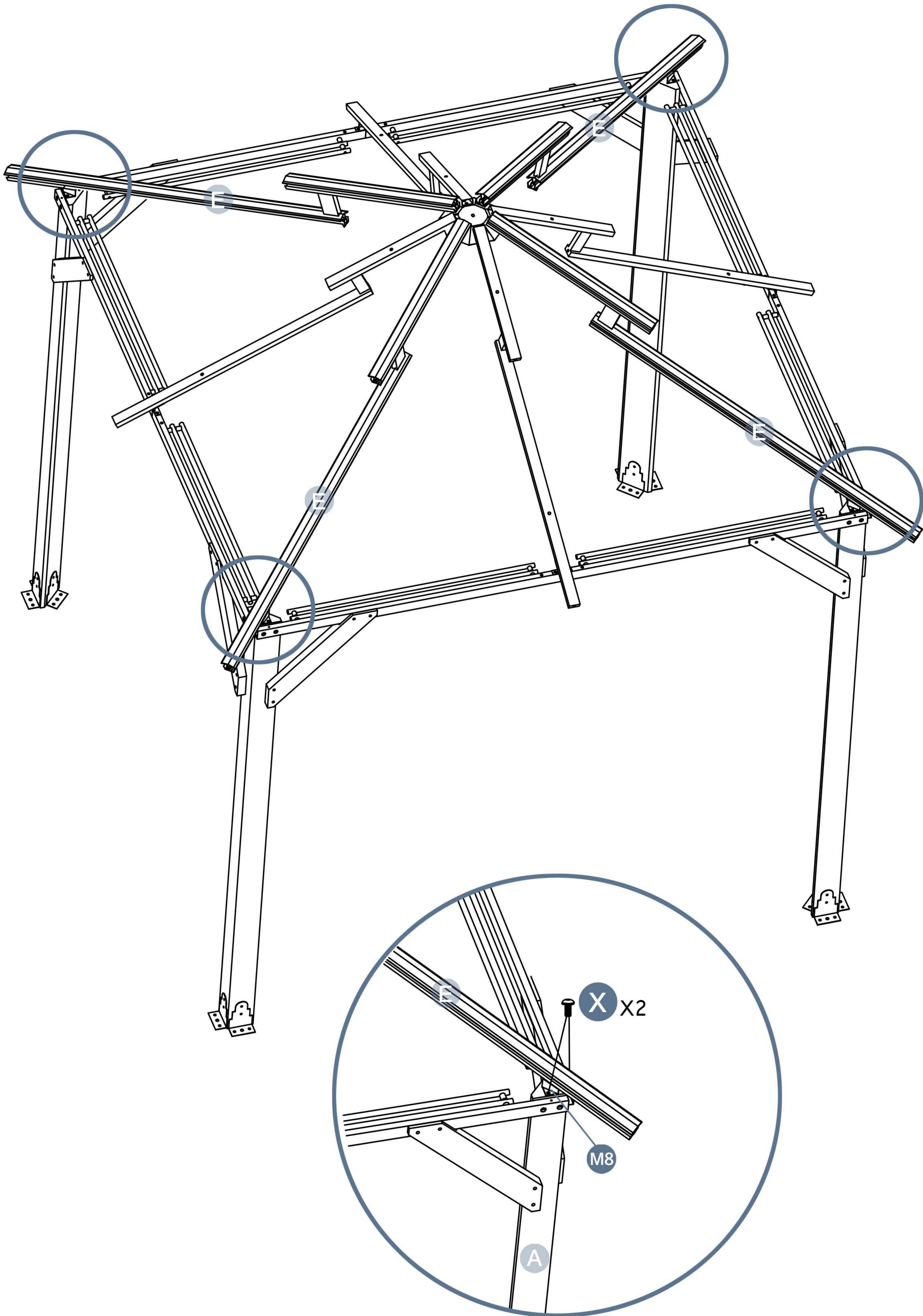
E-mail: cs.helper01@gmail.com

STEP 11

Parts required



X 8pcs

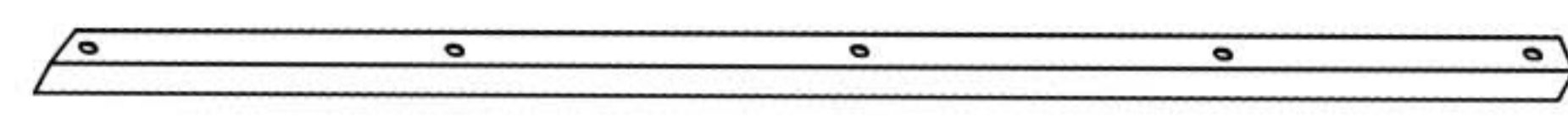


Please take care of the screws and contact the after-sales service if there is any problem with the installation or parts.

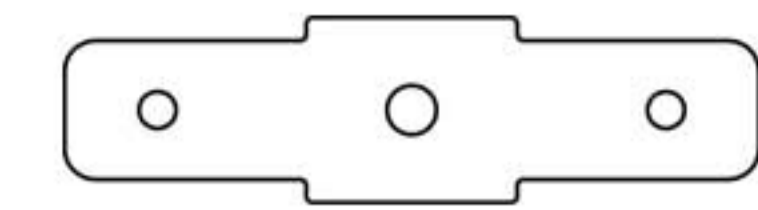
➔ ✉ E-mail: cs.helper01@gmail.com

STEP 12

Parts required



H 8pcs

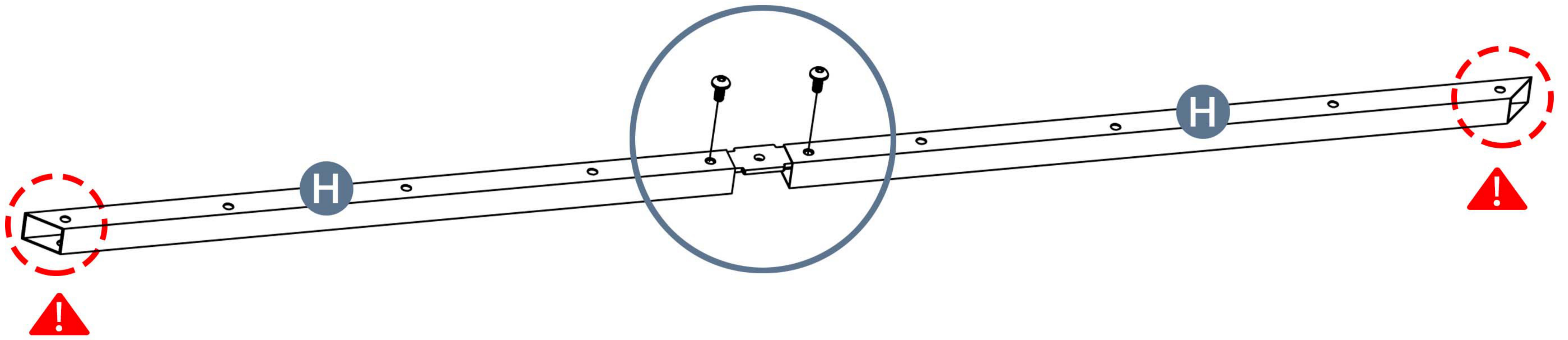


M3 4pcs

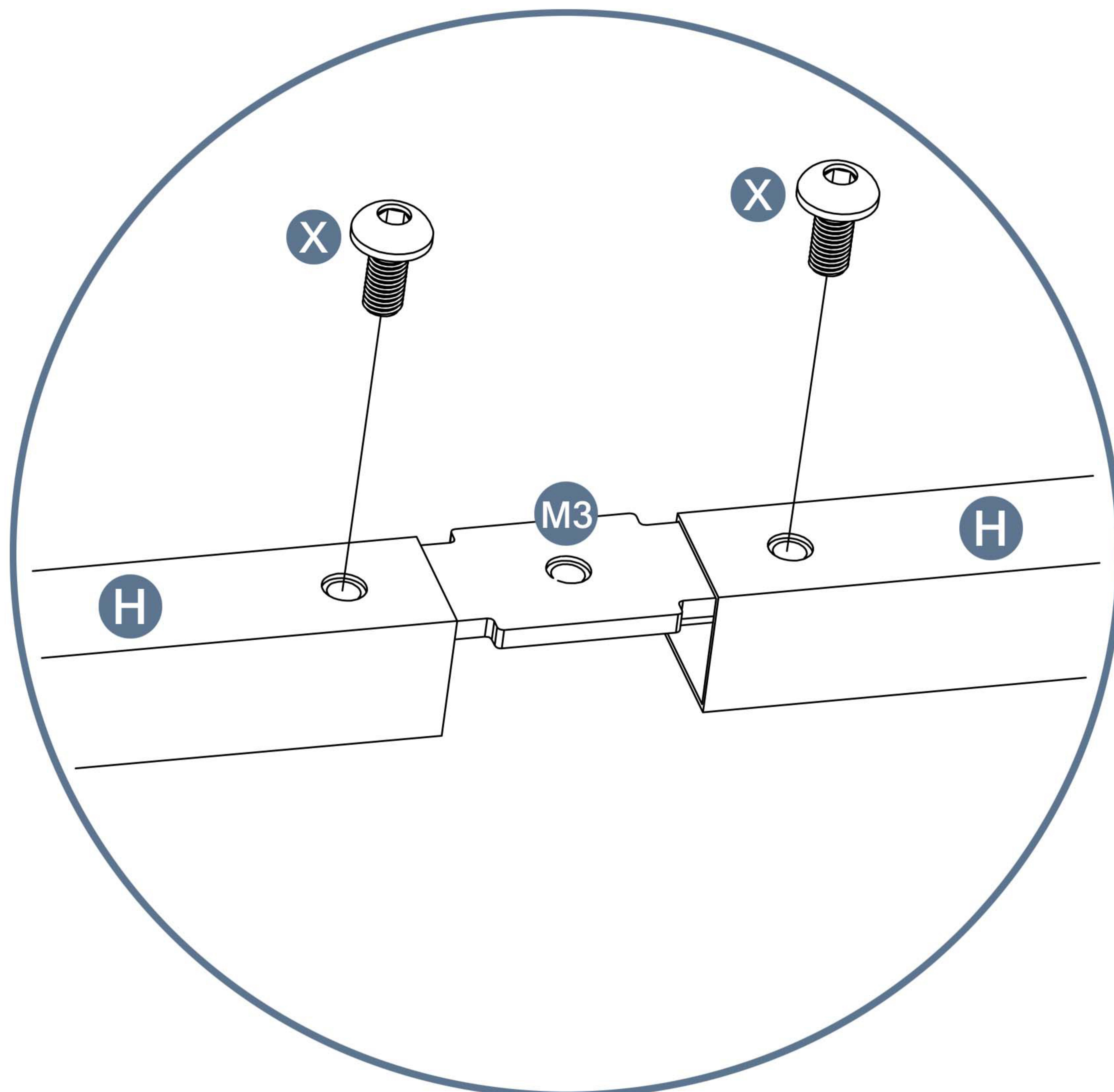


X 8pcs

⚠ Part H should be placed as shown in the picture.



X4

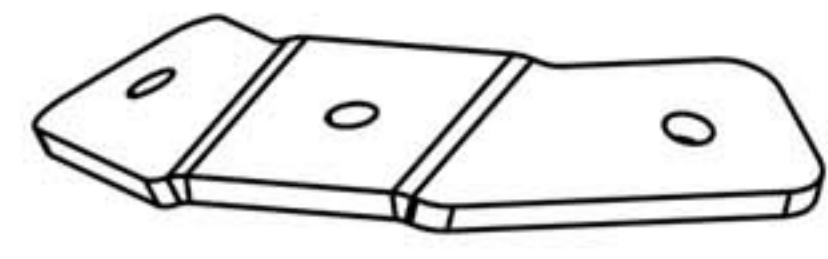


Please take care of the screws and contact the after-sales service if there is any problem with the installation or parts.



STEP 13

Parts required



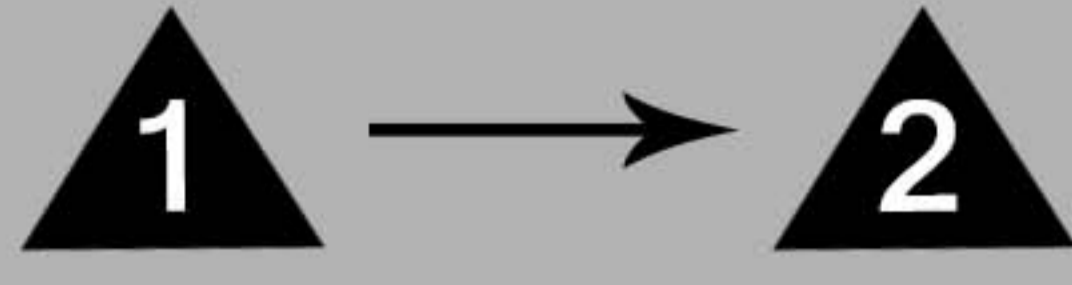
M4 4pcs



X 12pcs



X2 4pcs

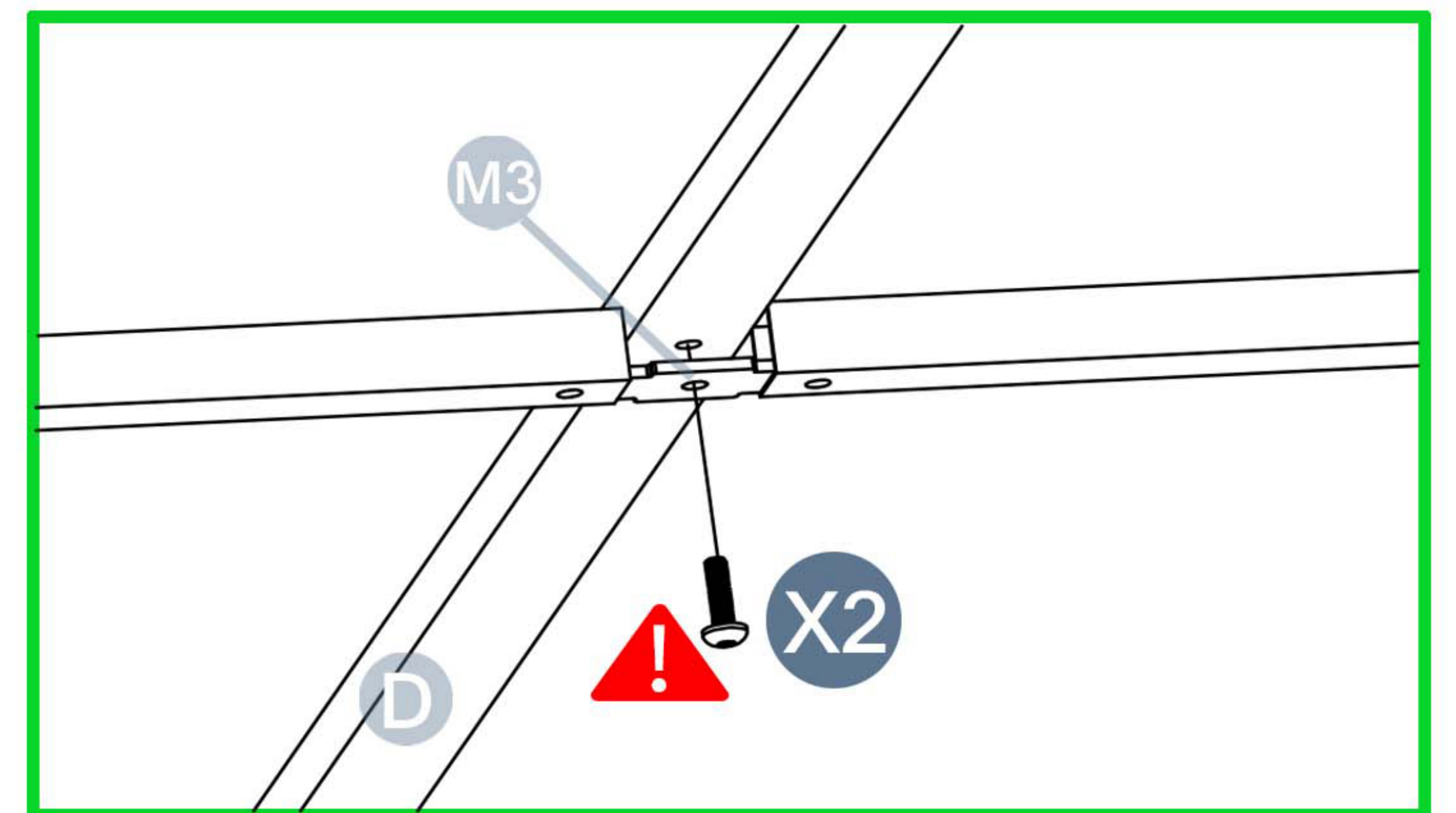
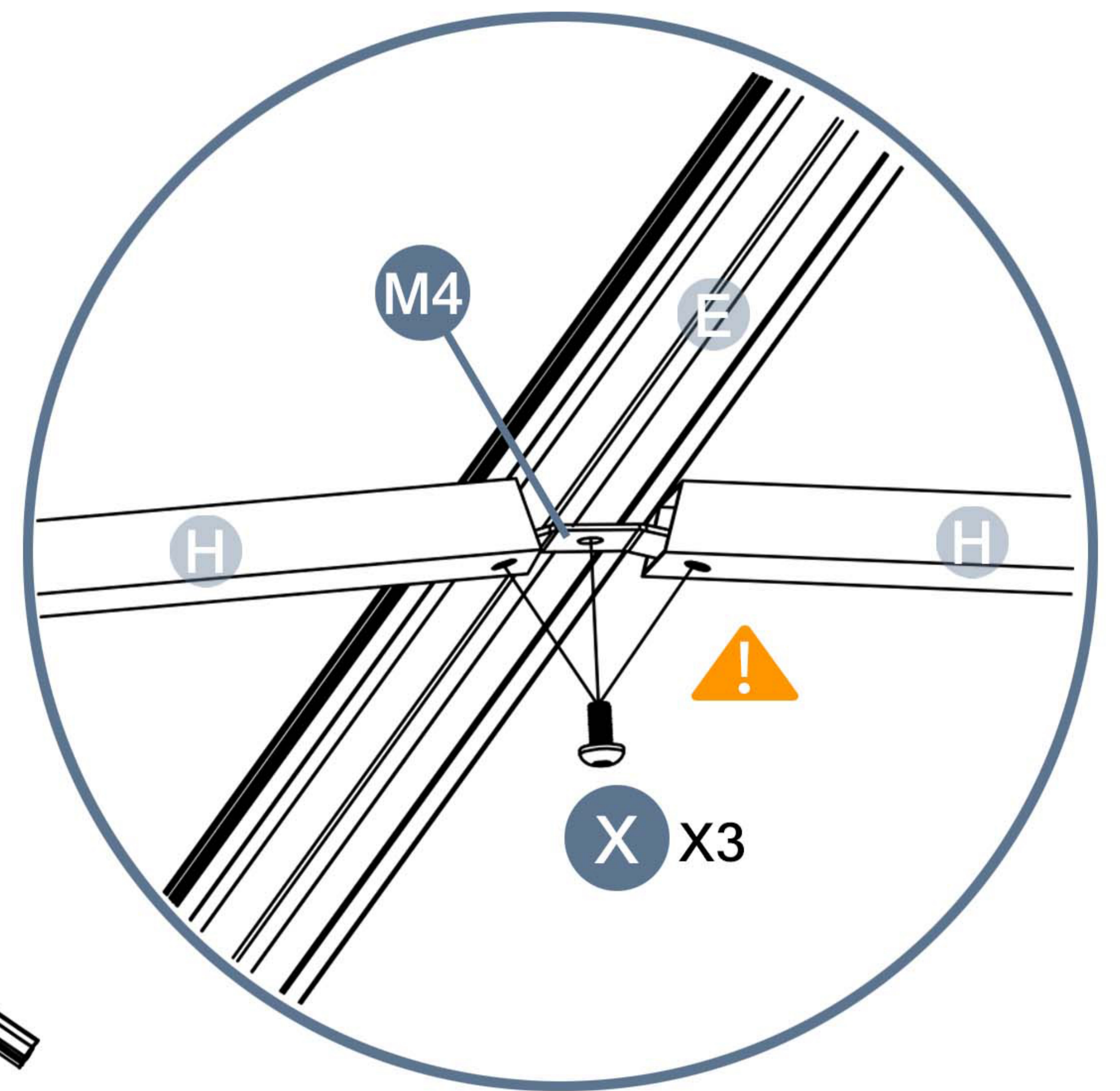
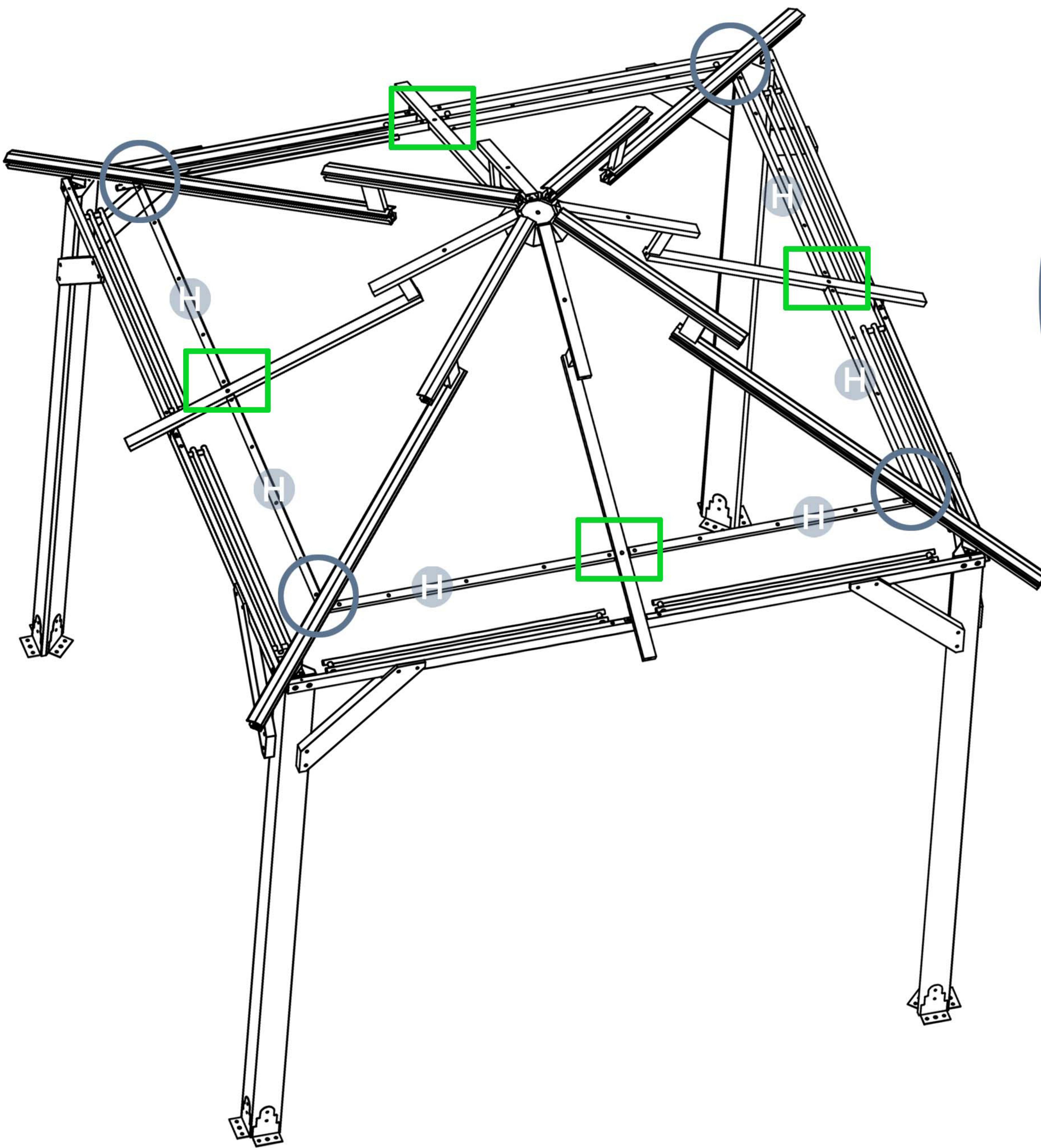


Only X2 screws are used in this step. Please store the X2 nuts. Steps 18 and 19 will be used.

To better align the screws for practical situations, do not fully tighten screws initially.



M4 needs to be inserted into both tubes, aligned with the holes.

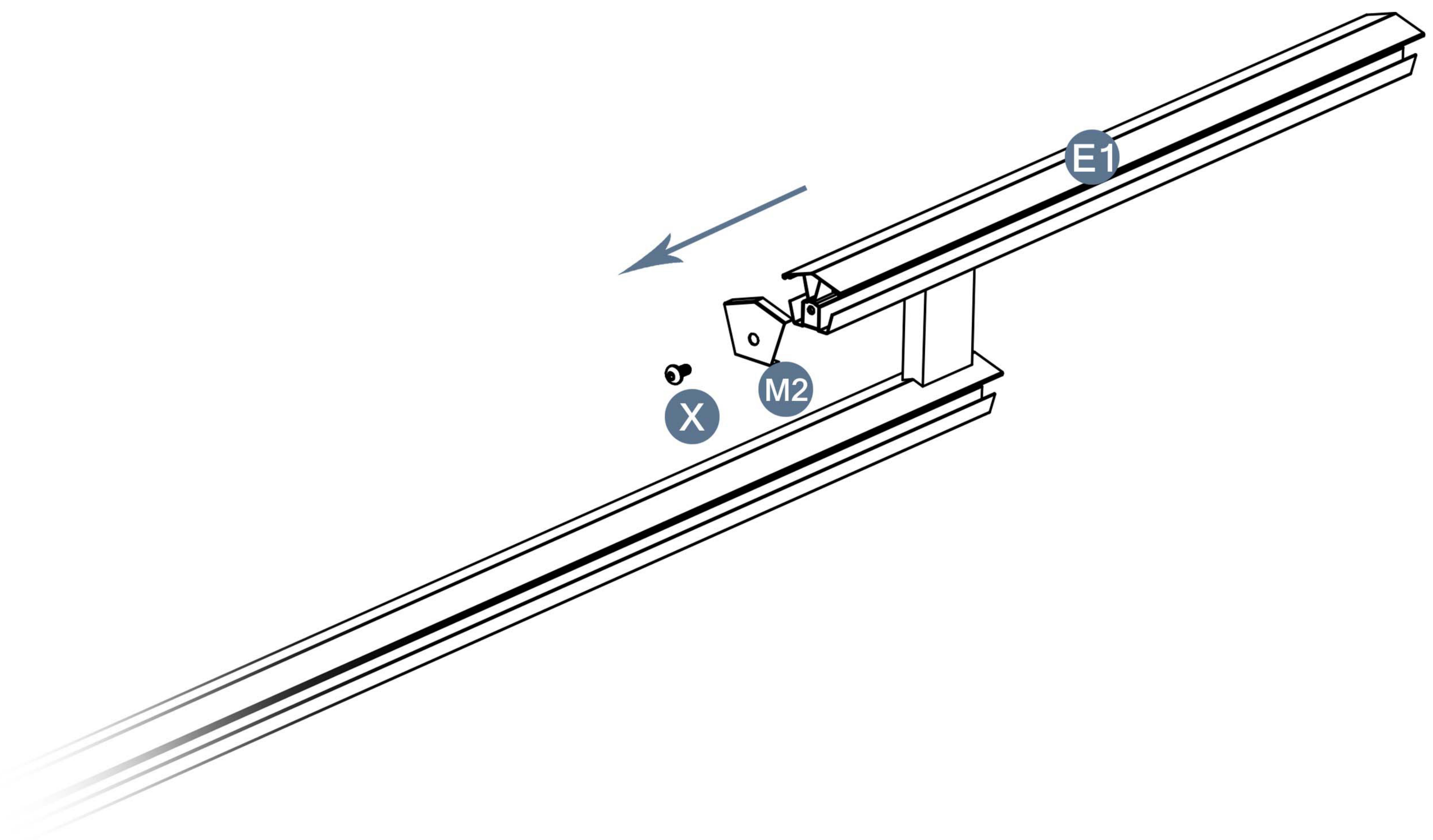


Please take care of the screws and contact the after-sales service if there is any problem with the installation or parts.

➔ ✉ E-mail: cs.helper01@gmail.com

To prevent the loss of M2
we mounted the M2 on top of the E1 ahead of time

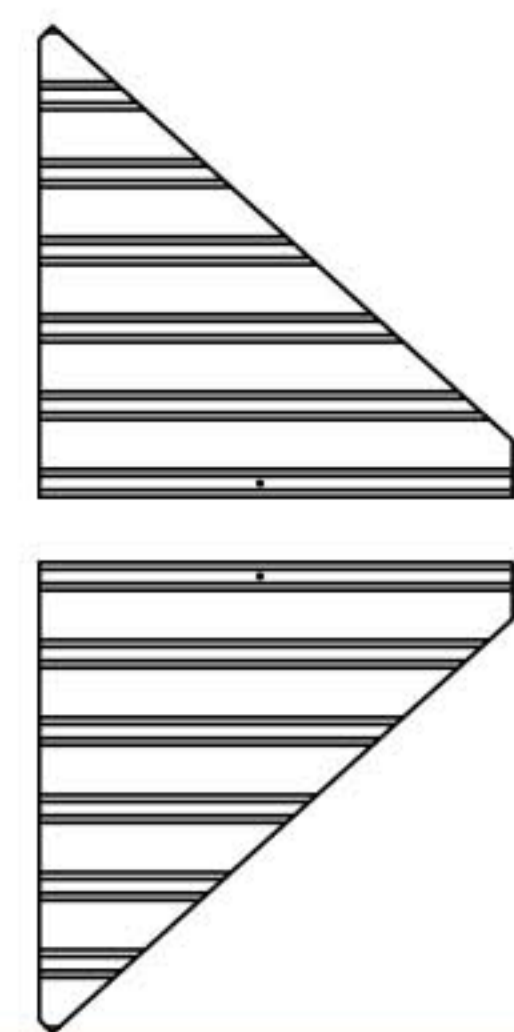
Before installing step 14, please remove the 4 M2's from the
part E1. (Reinstall them during step 16) .



Please take care of the screws and contact the after-sales service if there is any problem with the installation or parts.

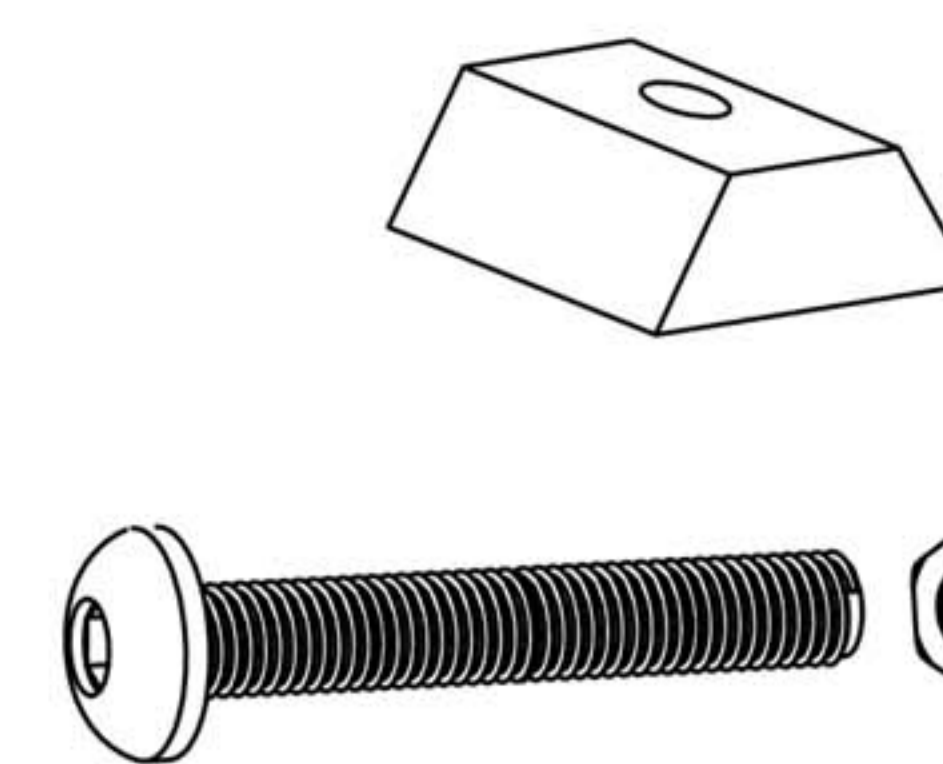
STEP 14

Parts required



O4 4pcs

V4 4pcs

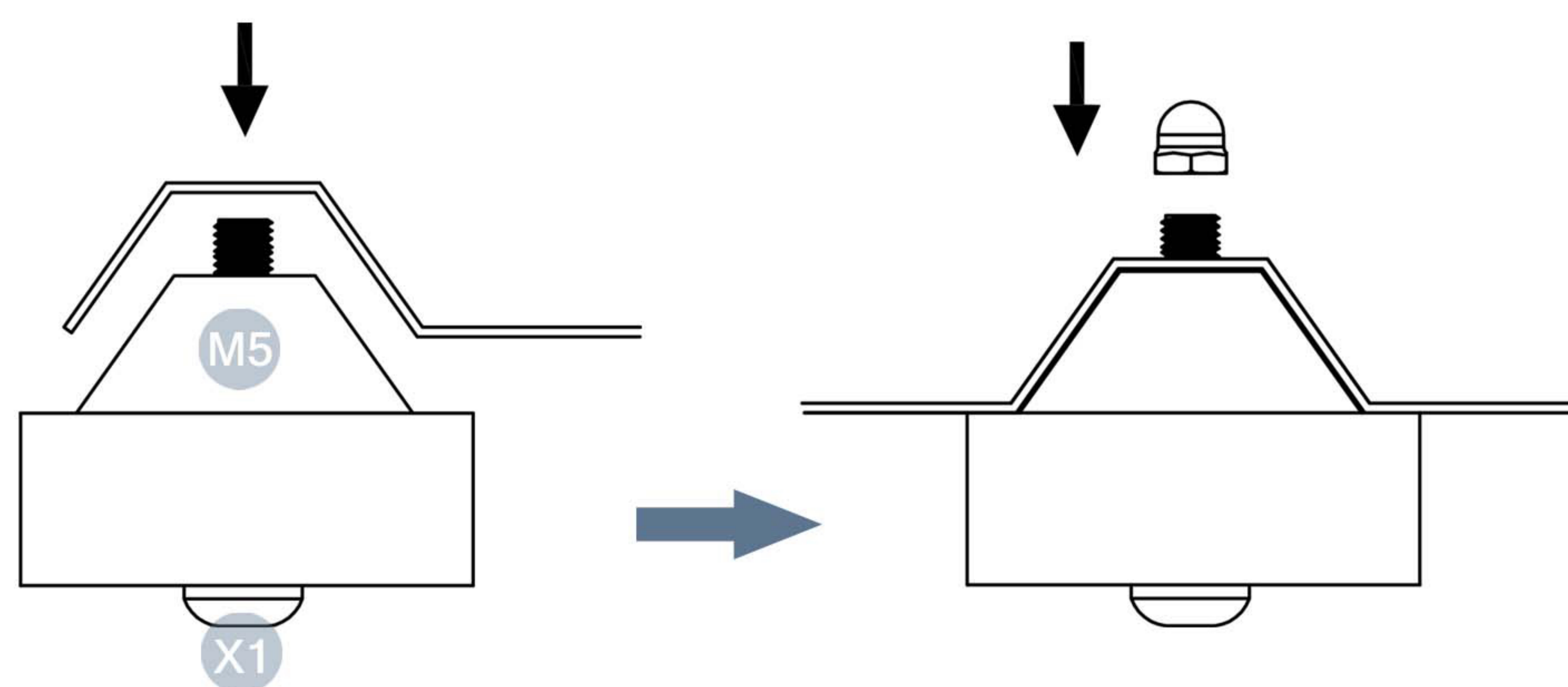
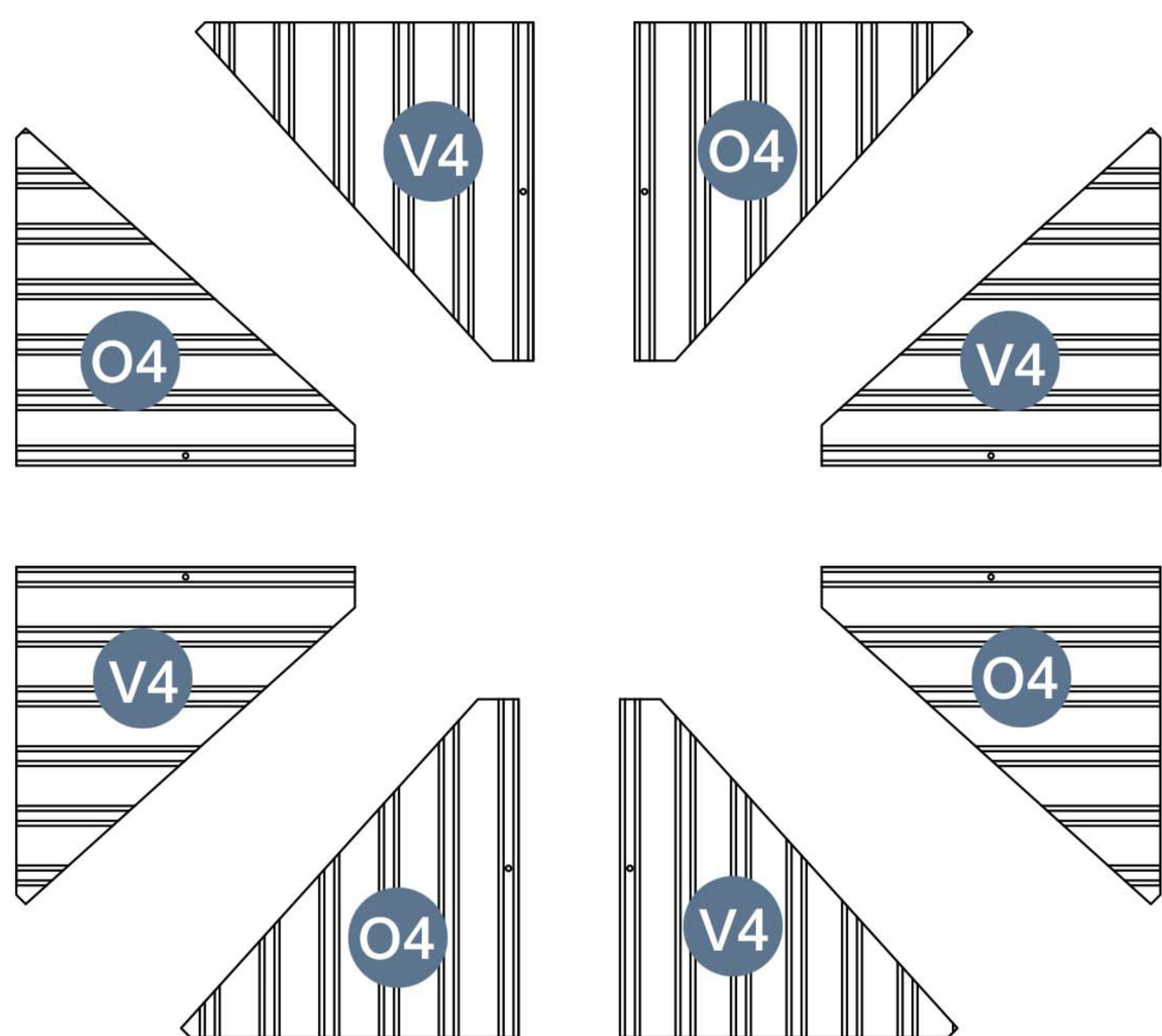


M5 4pcs

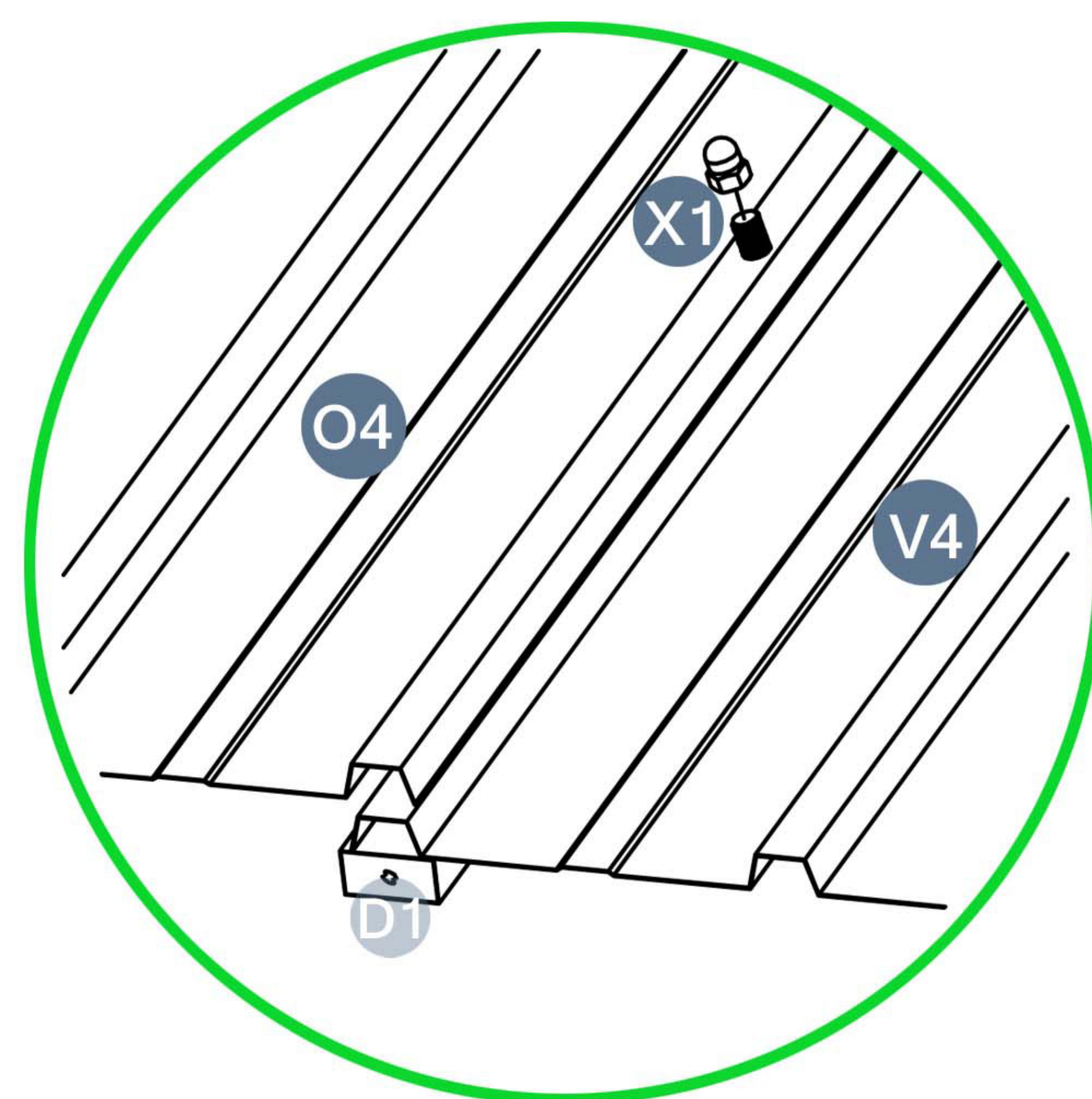
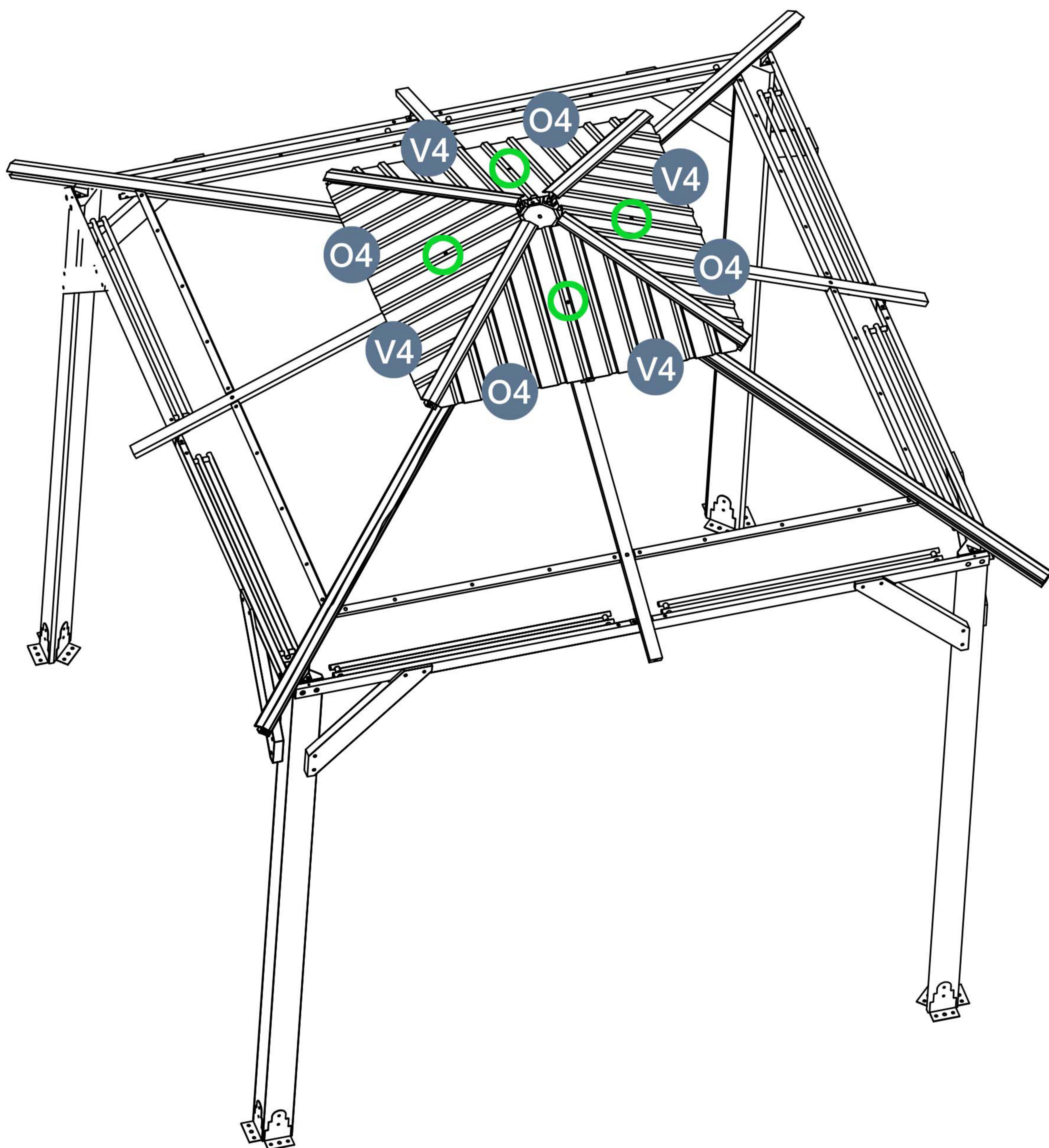
X1 4pcs



In order to facilitate the installation, it is recommended to leave one side and not install it for the time being. Wait for the installation in step 15 to complete before installing.



• Side view



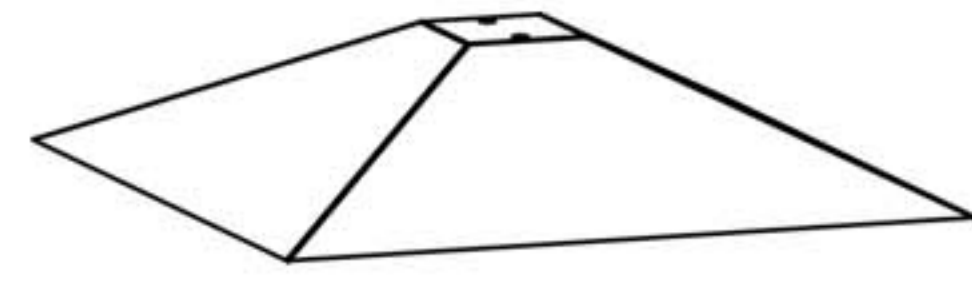
Please take care of the screws and contact the after-sales service if there is any problem with the installation or parts.



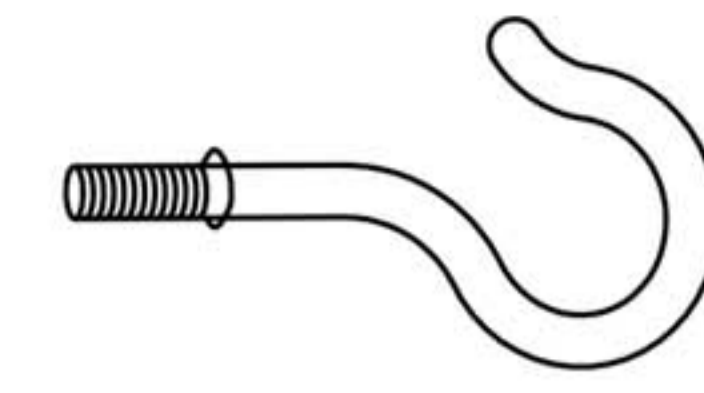
E-mail: cs.helper01@gmail.com

STEP 15

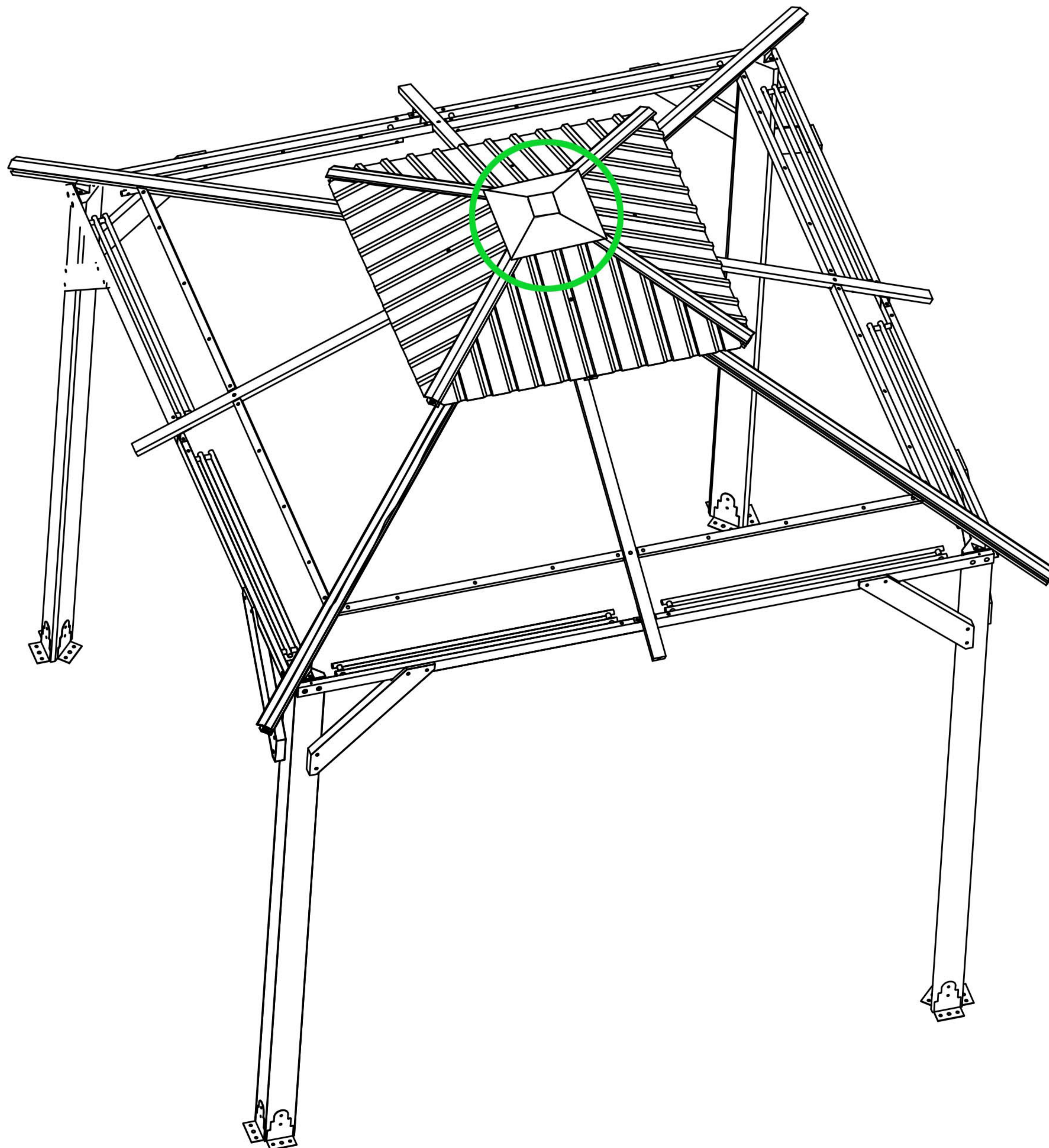
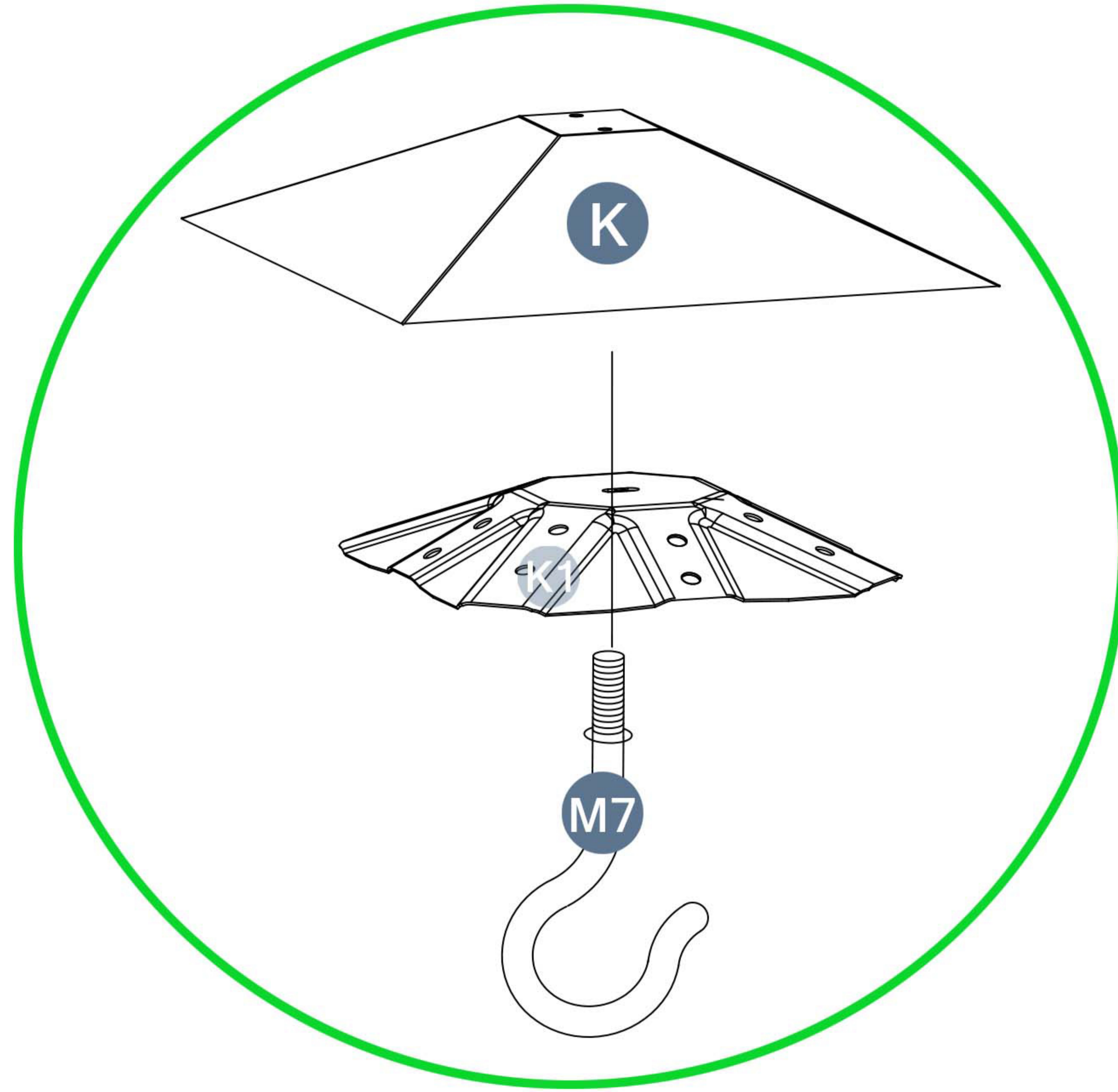
Parts required



K 1pcs



M7 1pcs

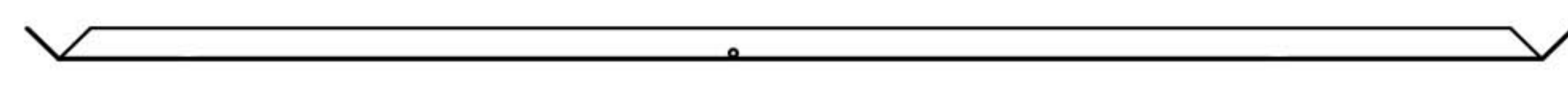


Please take care of the screws and contact the after-sales service if there is any problem with the installation or parts.

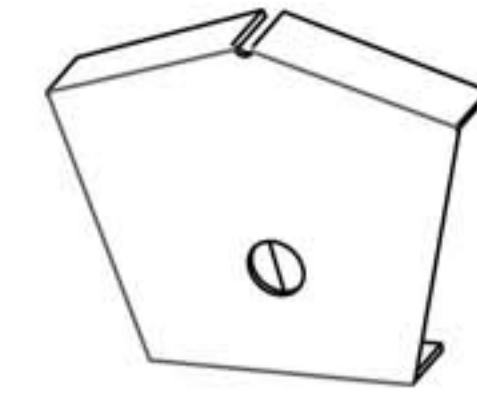


STEP 16

Parts required



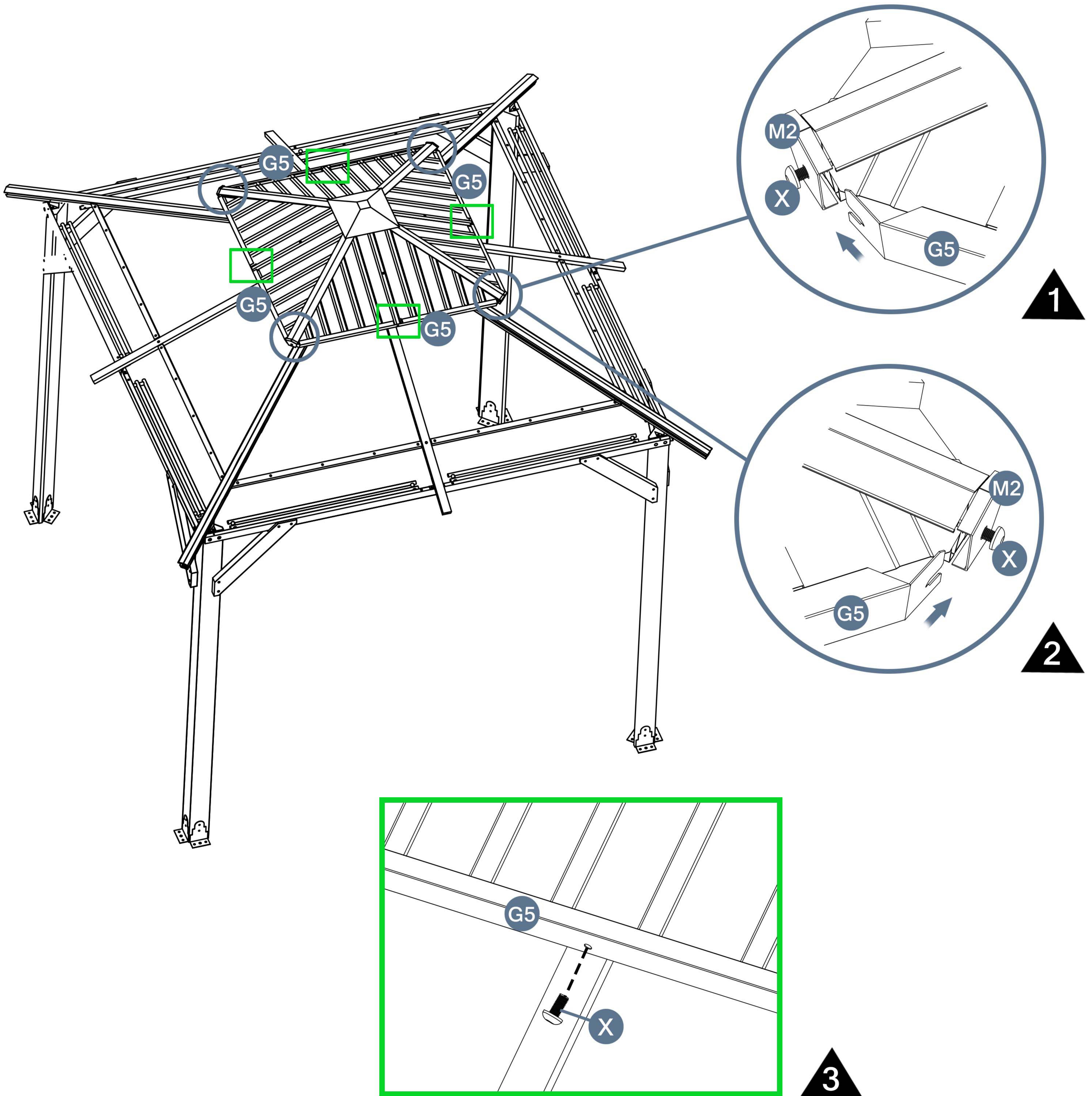
G5 4pcs



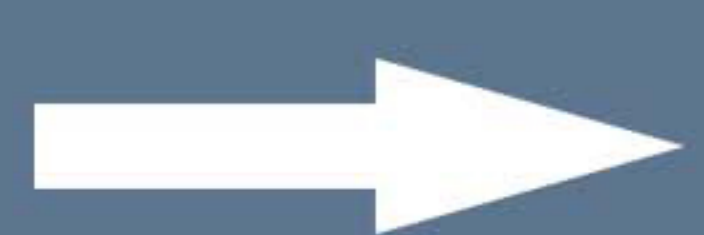
M2 4pcs



X 8pcs



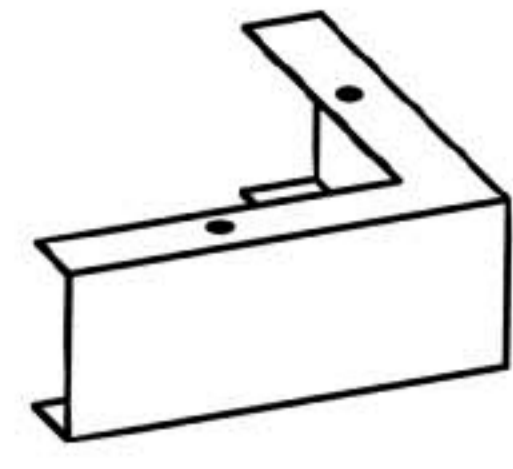
Please take care of the screws and contact the after-sales service if there is any problem with the installation or parts.



E-mail: cs.helper01@gmail.com

STEP 17

Parts required



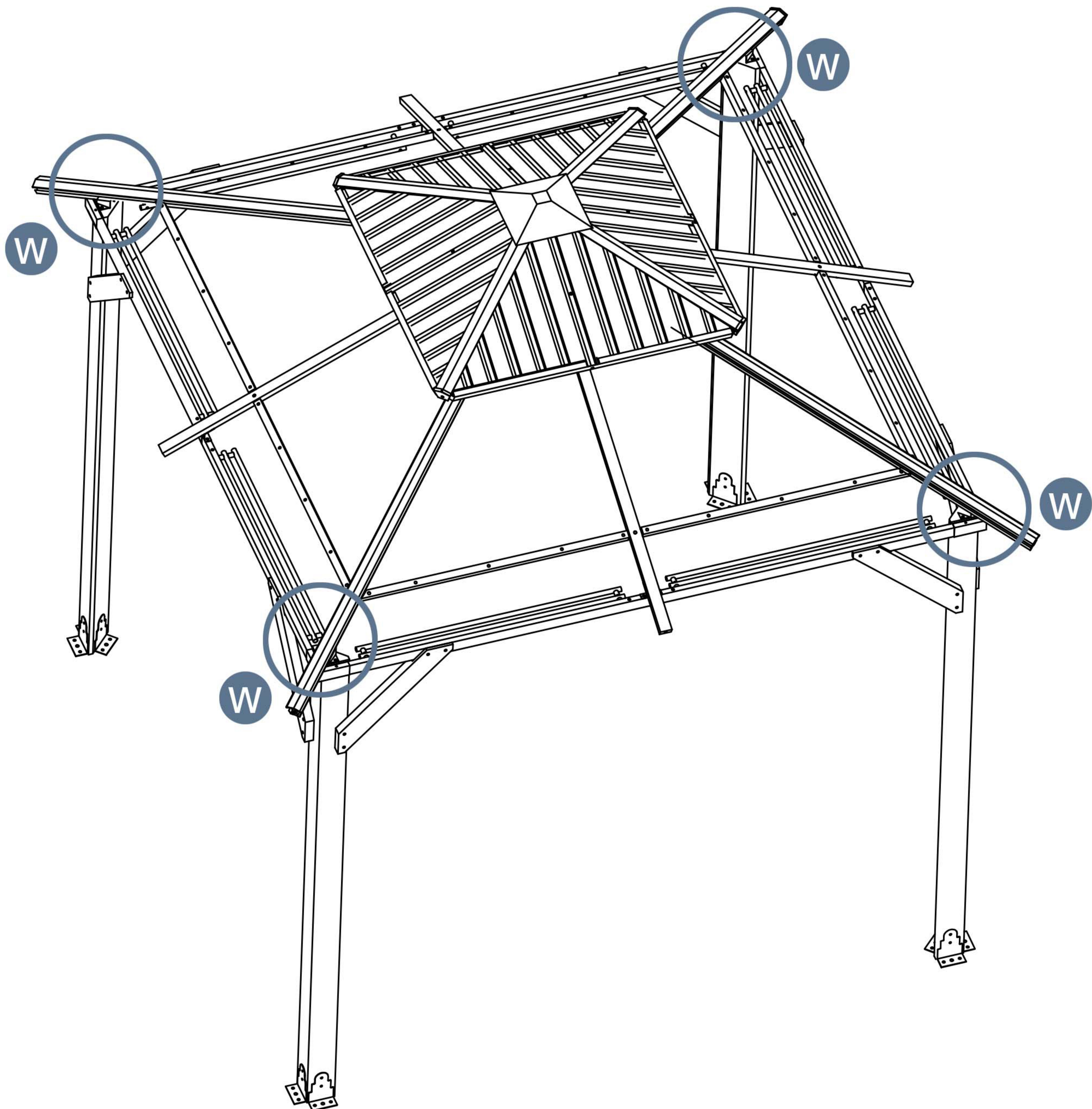
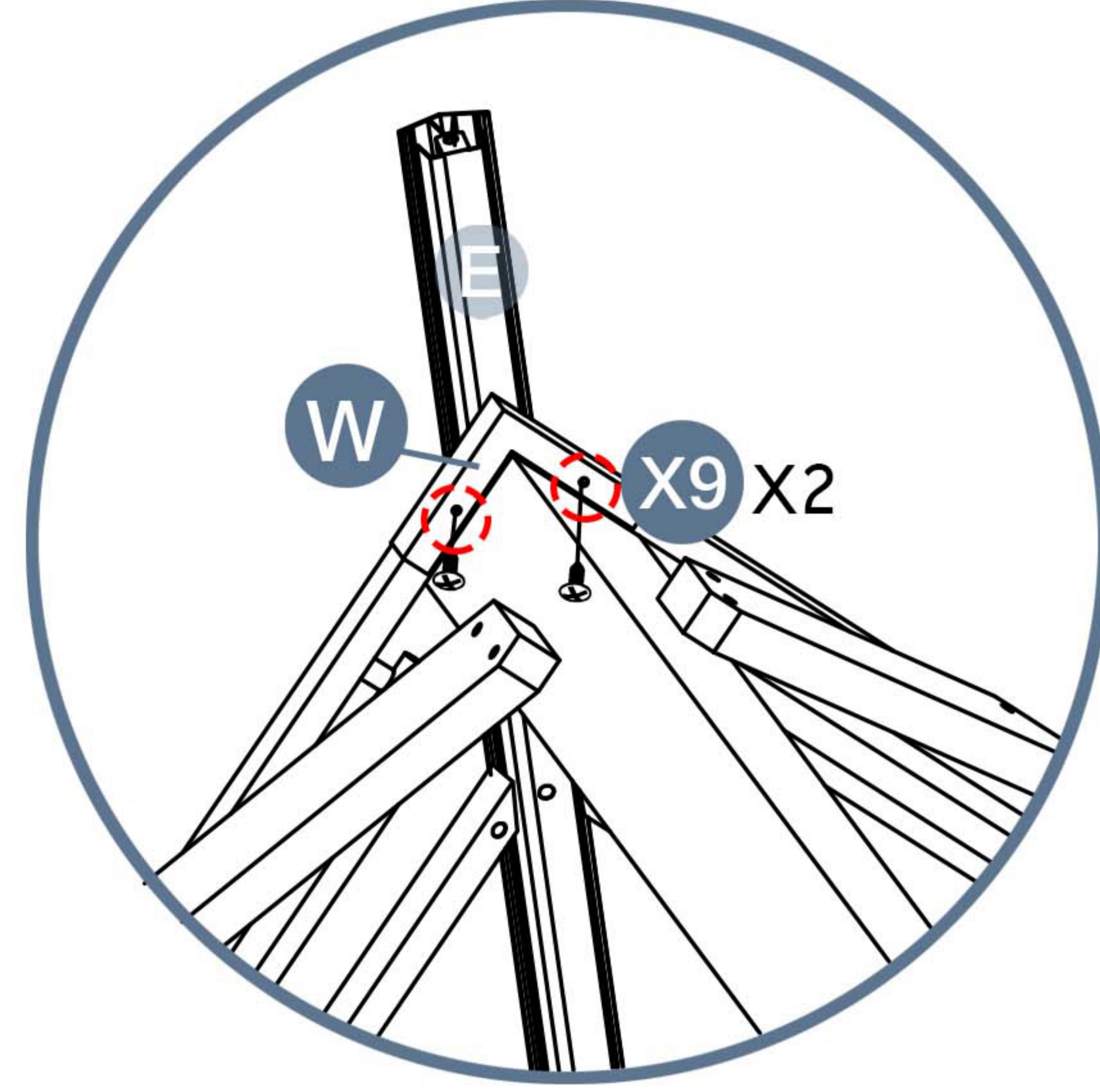
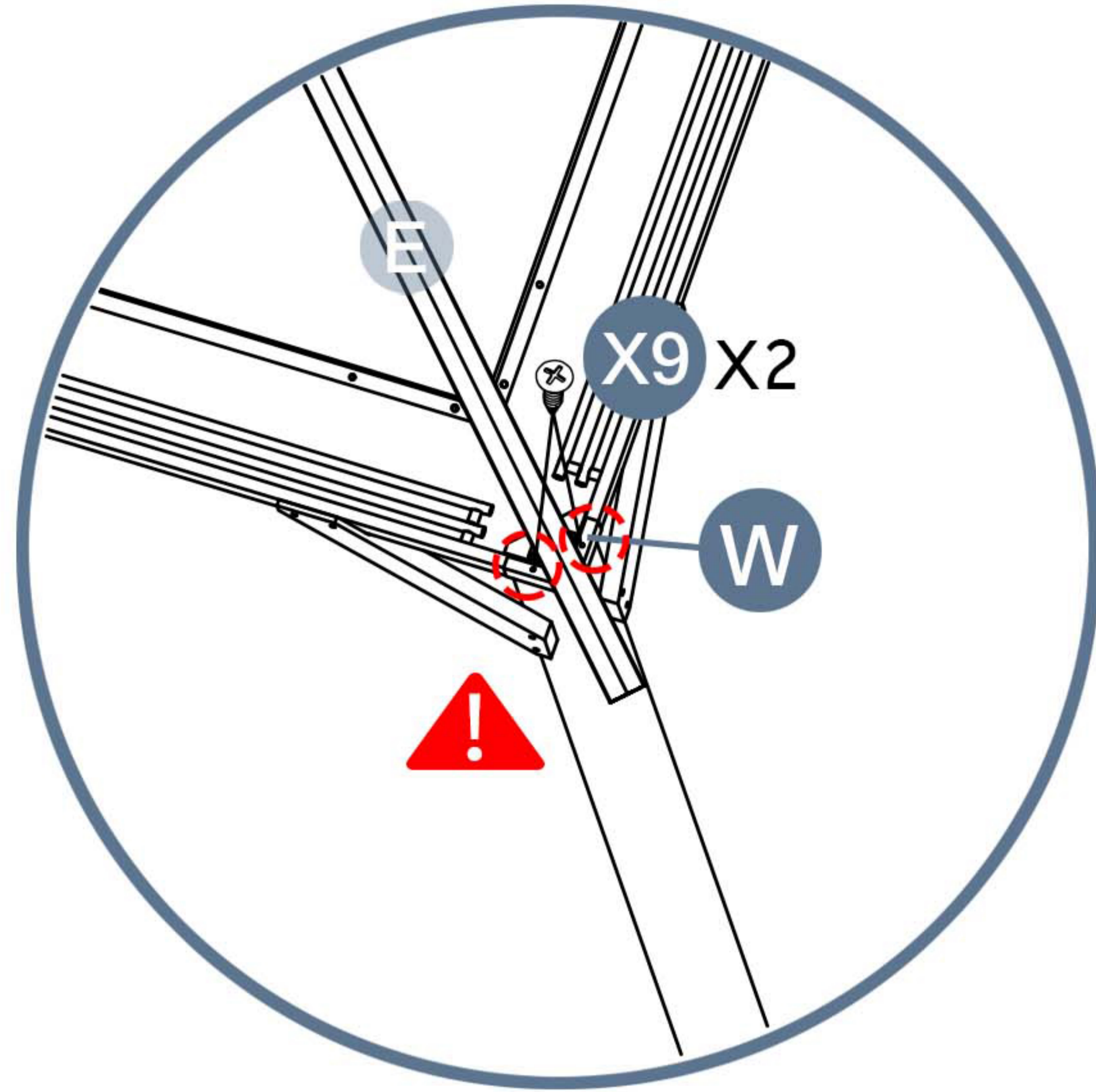
W 4pcs



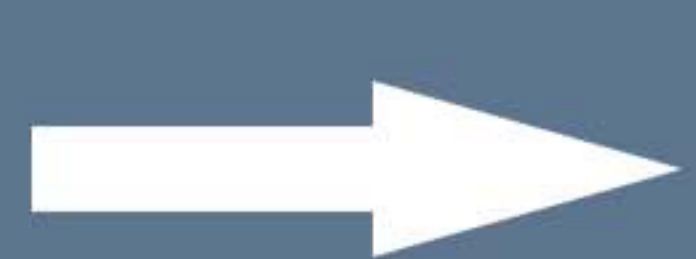
X9 16pcs



Please Note that the X9 circled in red is a self-tapping nail without hole, it can be directly tightened.

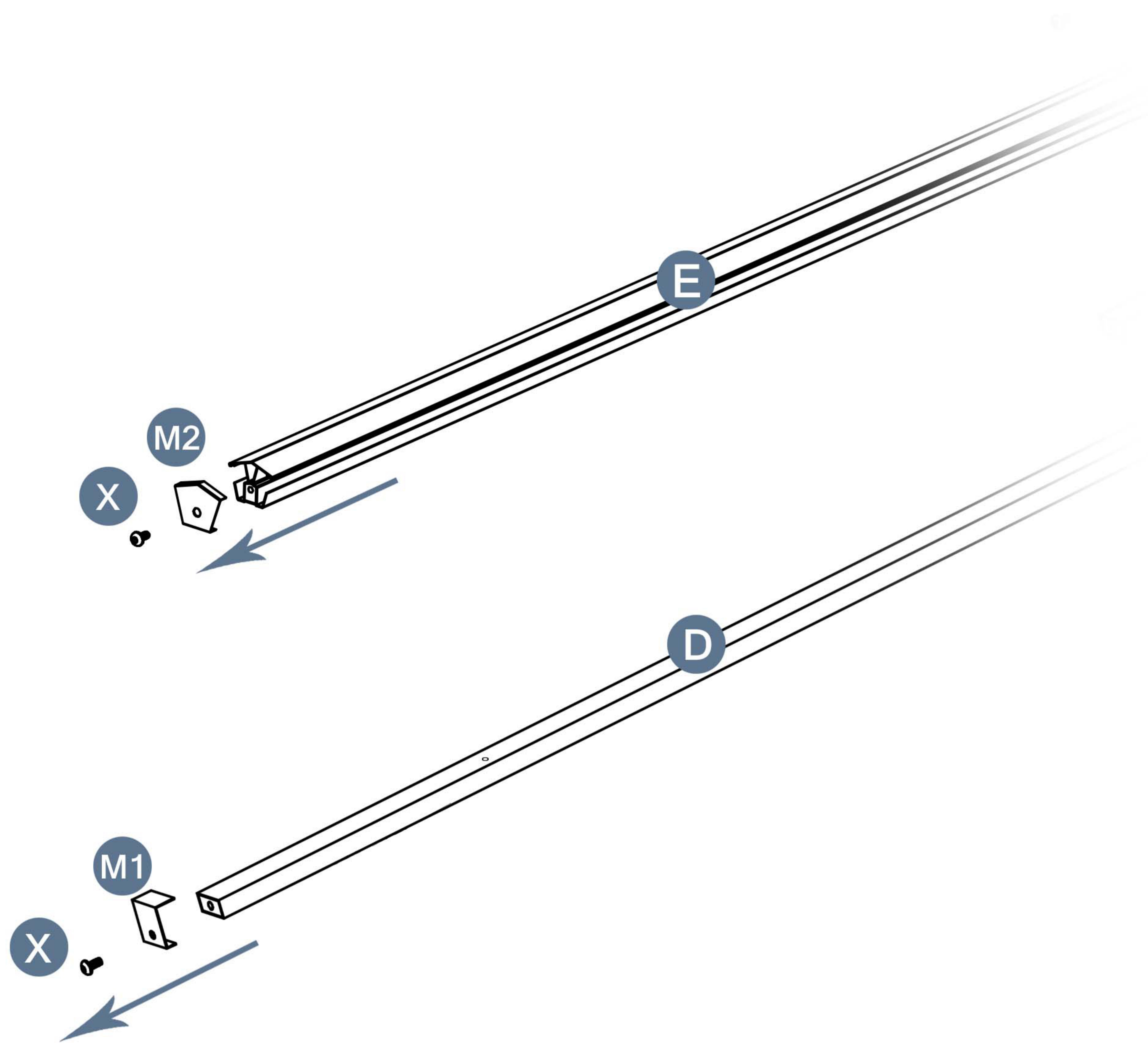


Please take care of the screws and contact the after-sales service if there is any problem with the installation or parts.



To prevent the loss of M2 and M1
we mounted the M2 and M1 on top of the E and D ahead of time

Before installing step 18, please remove the 4 M2's
and 4 M1's from the part E and D. (Reinstall them during step 20) .

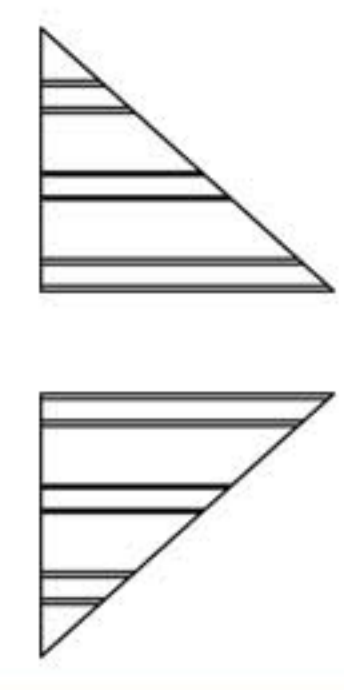


Please take care of the screws and contact the after-sales service if there is any problem with the installation or parts.

➔ ✉ E-mail: cs.helper01@gmail.com

STEP 18

Parts required



O1 2pcs

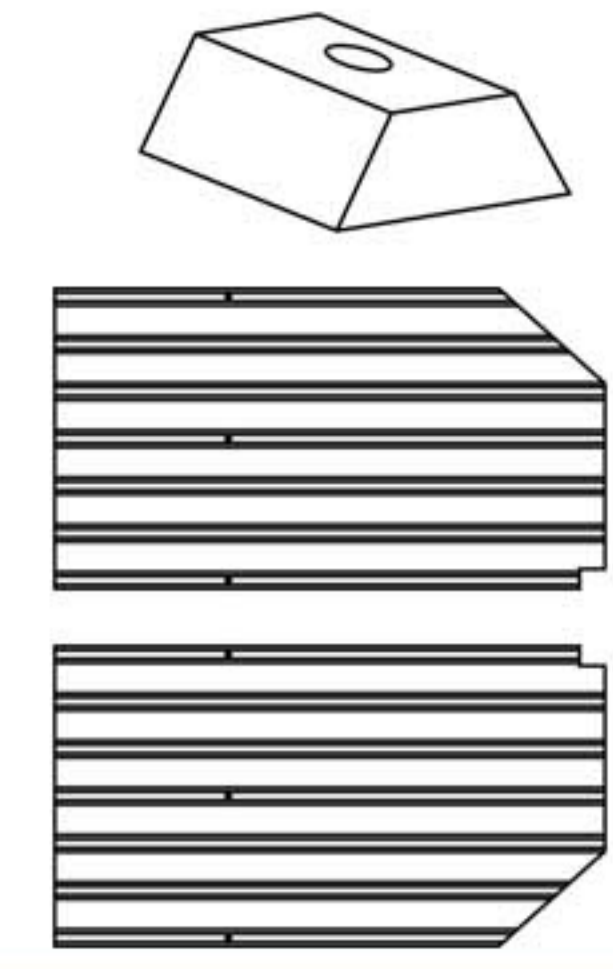
V1 2pcs



X2 12pcs

O2 2pcs

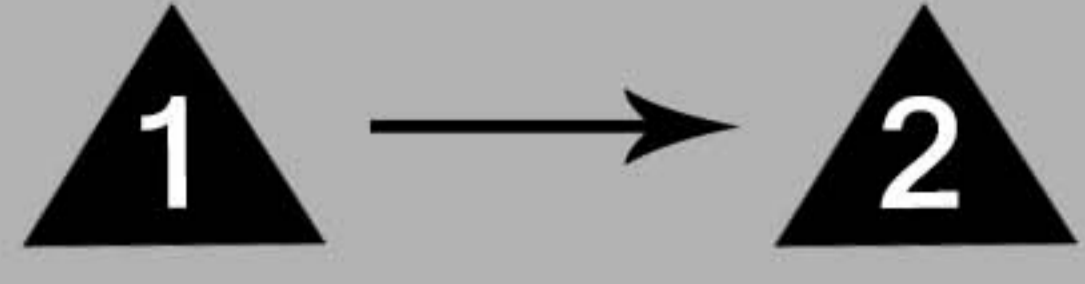
V2 2pcs



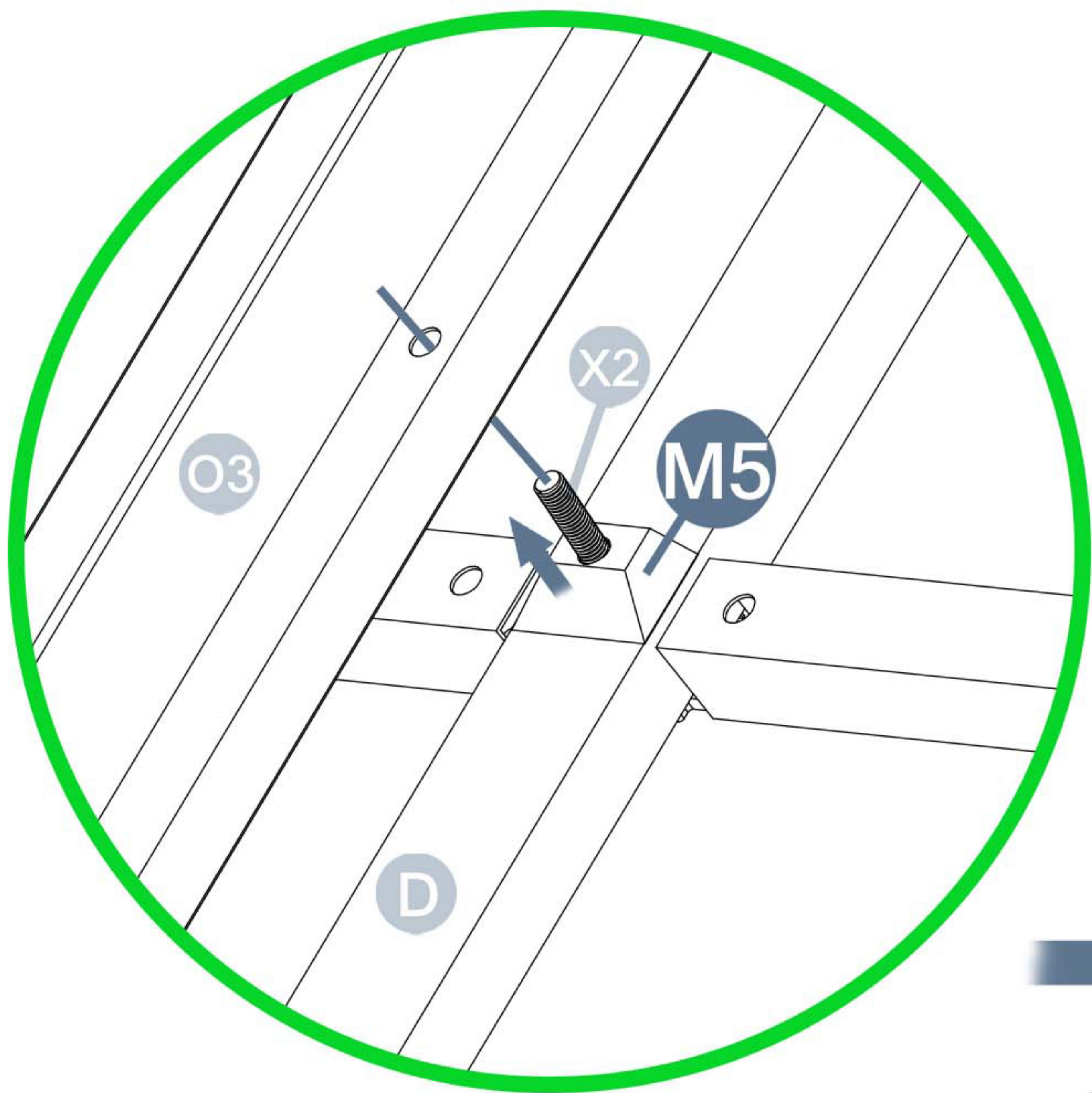
M5 14pcs

O3 2pcs

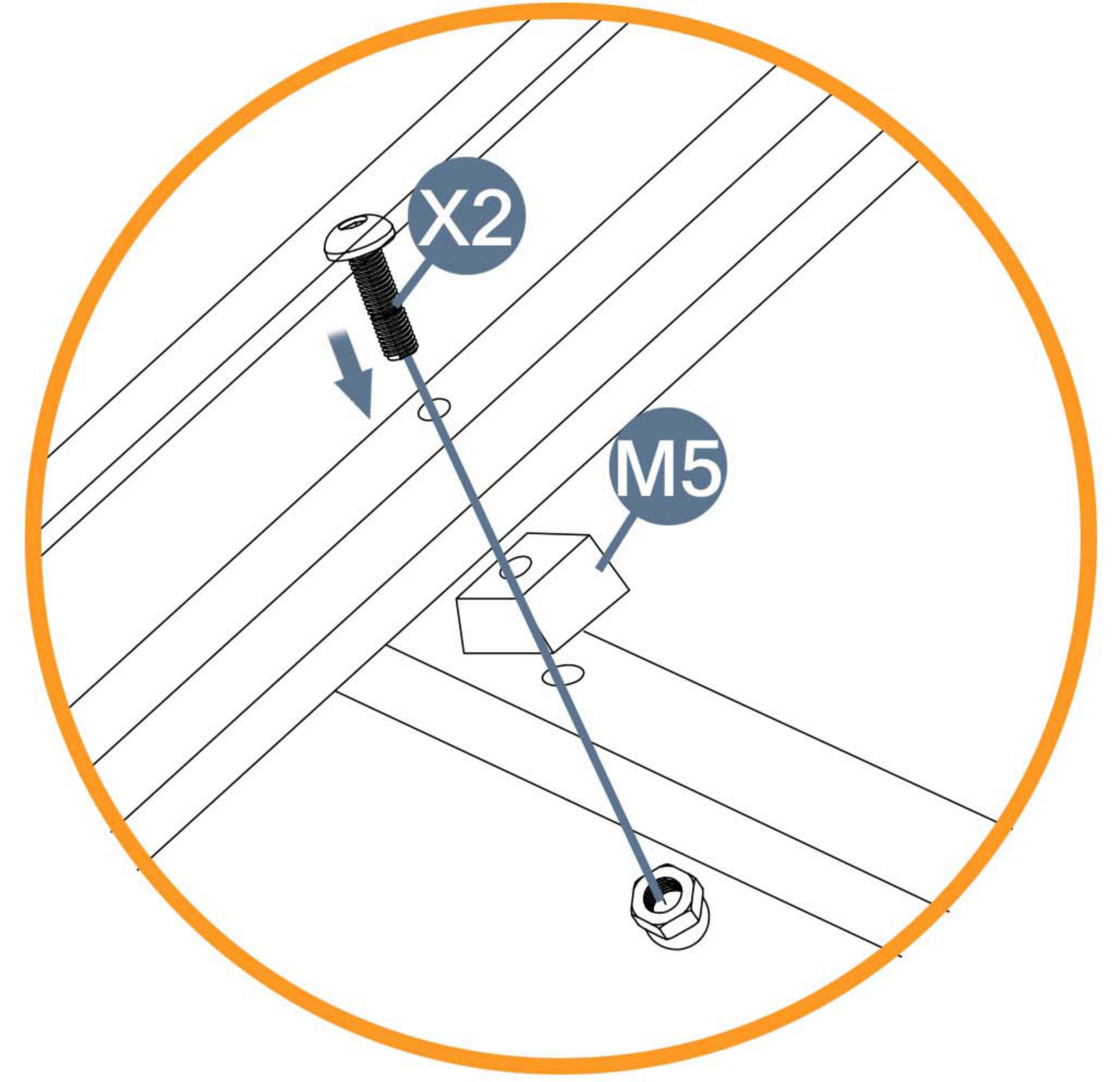
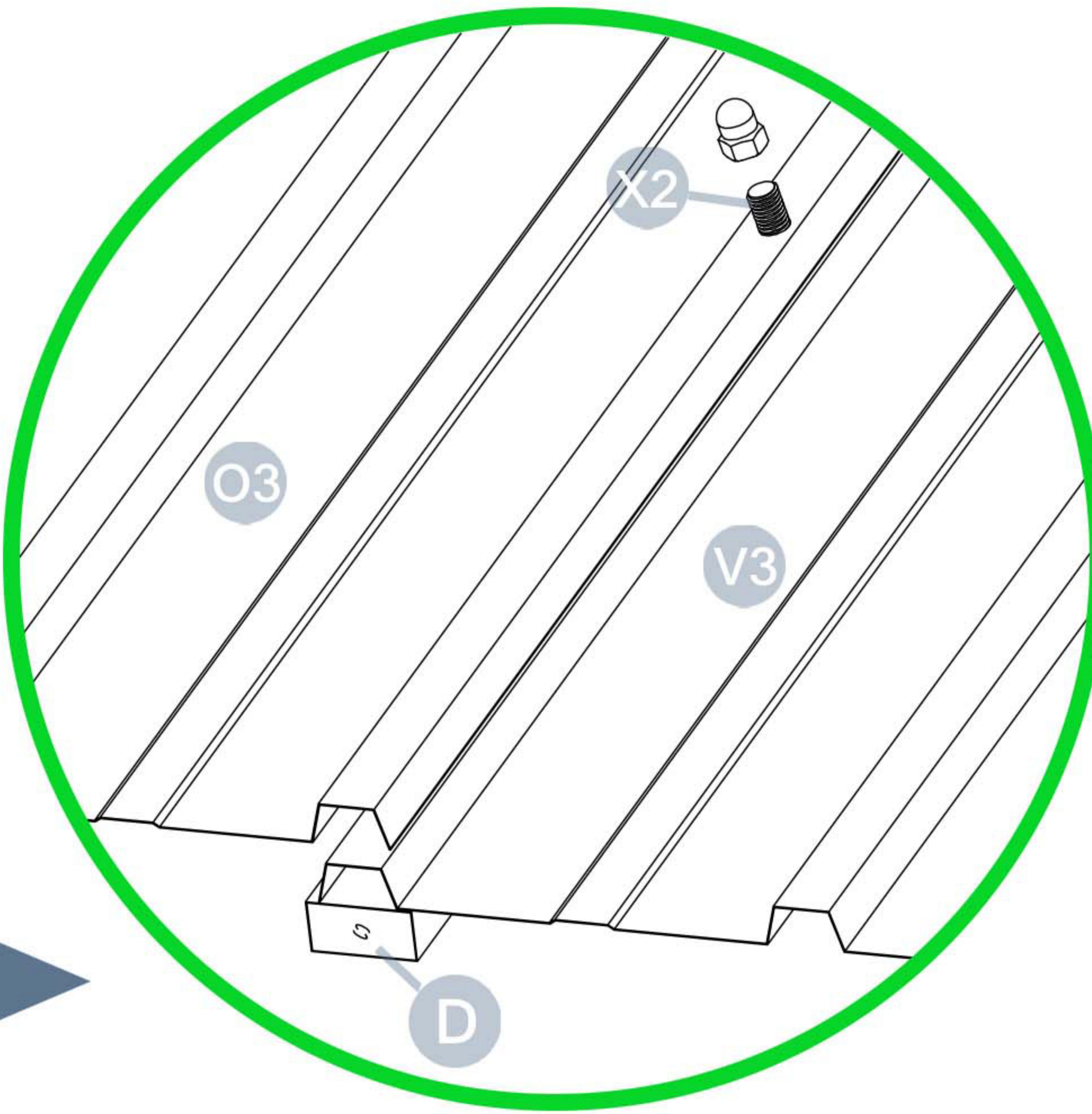
V3 2pcs



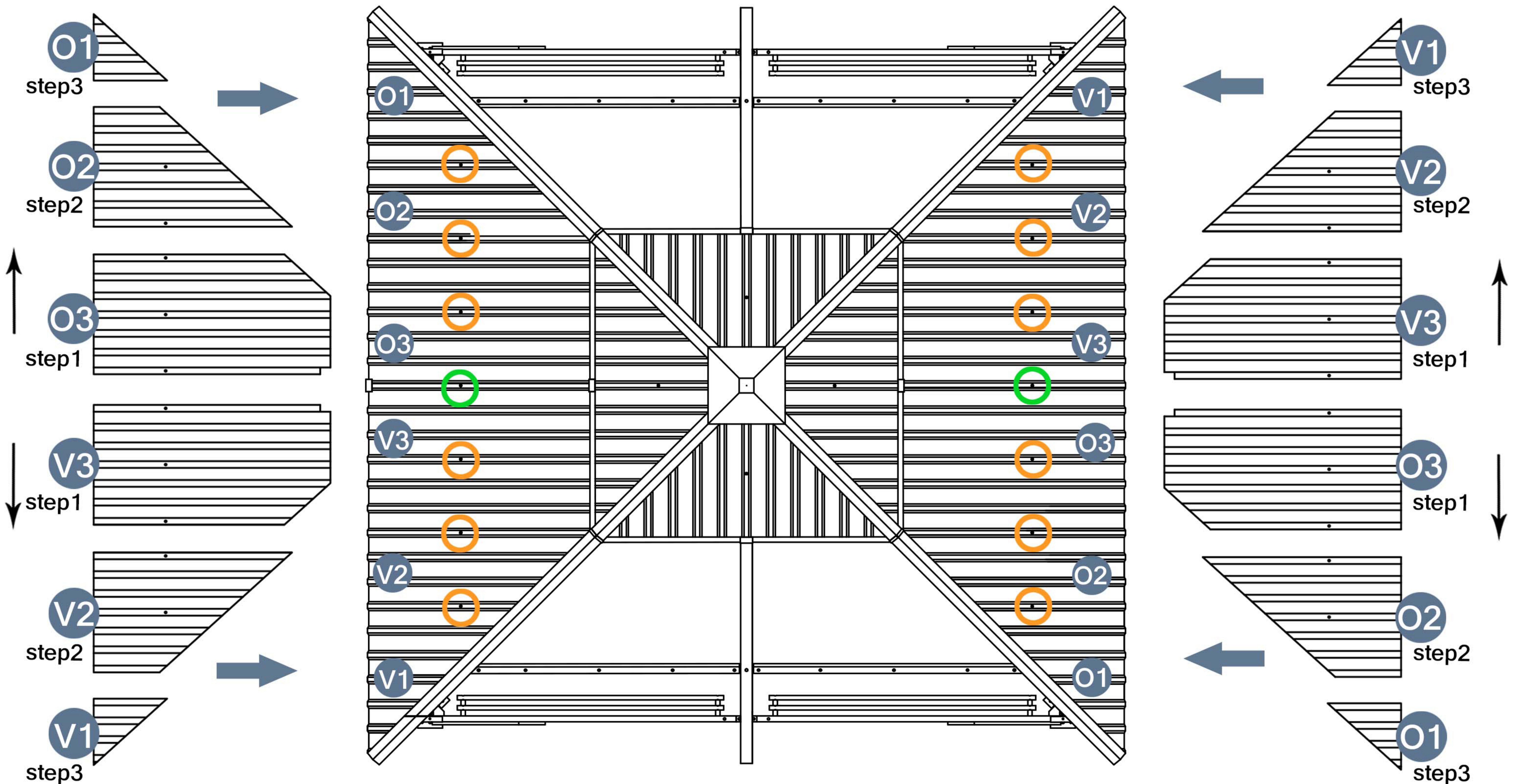
Pay attention to the direction of screw installation



1



2



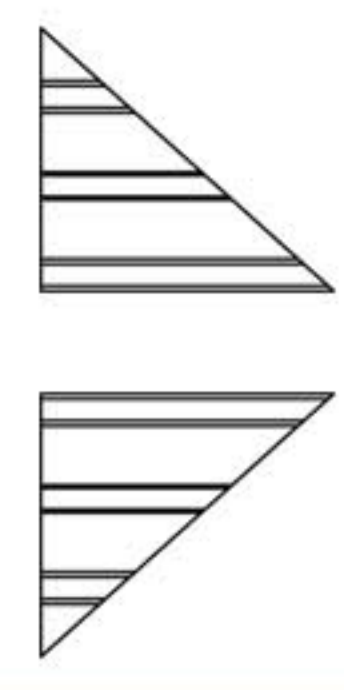
Please take care of the screws and contact the after-sales service if there is any problem with the installation or parts.



E-mail: cs.helper01@gmail.com

STEP 19

Parts required



O1 2pcs

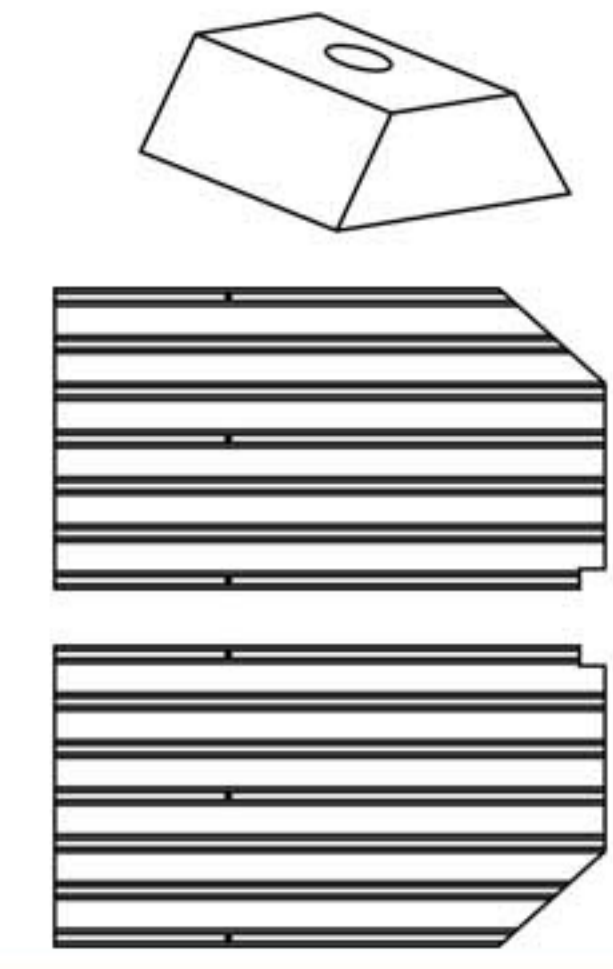
V1 2pcs



X2 12pcs

O2 2pcs

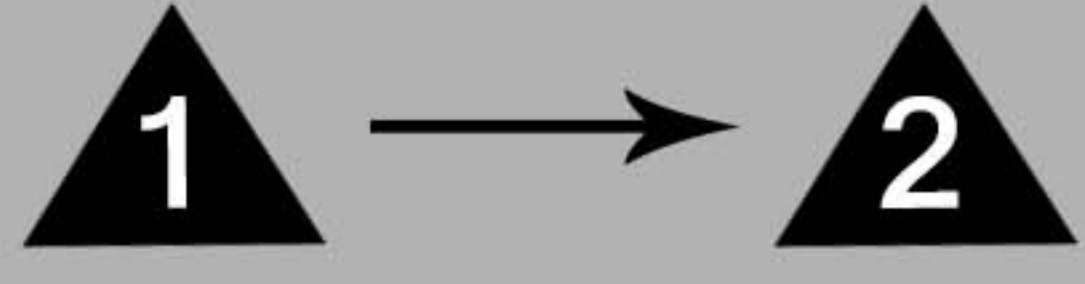
V2 2pcs



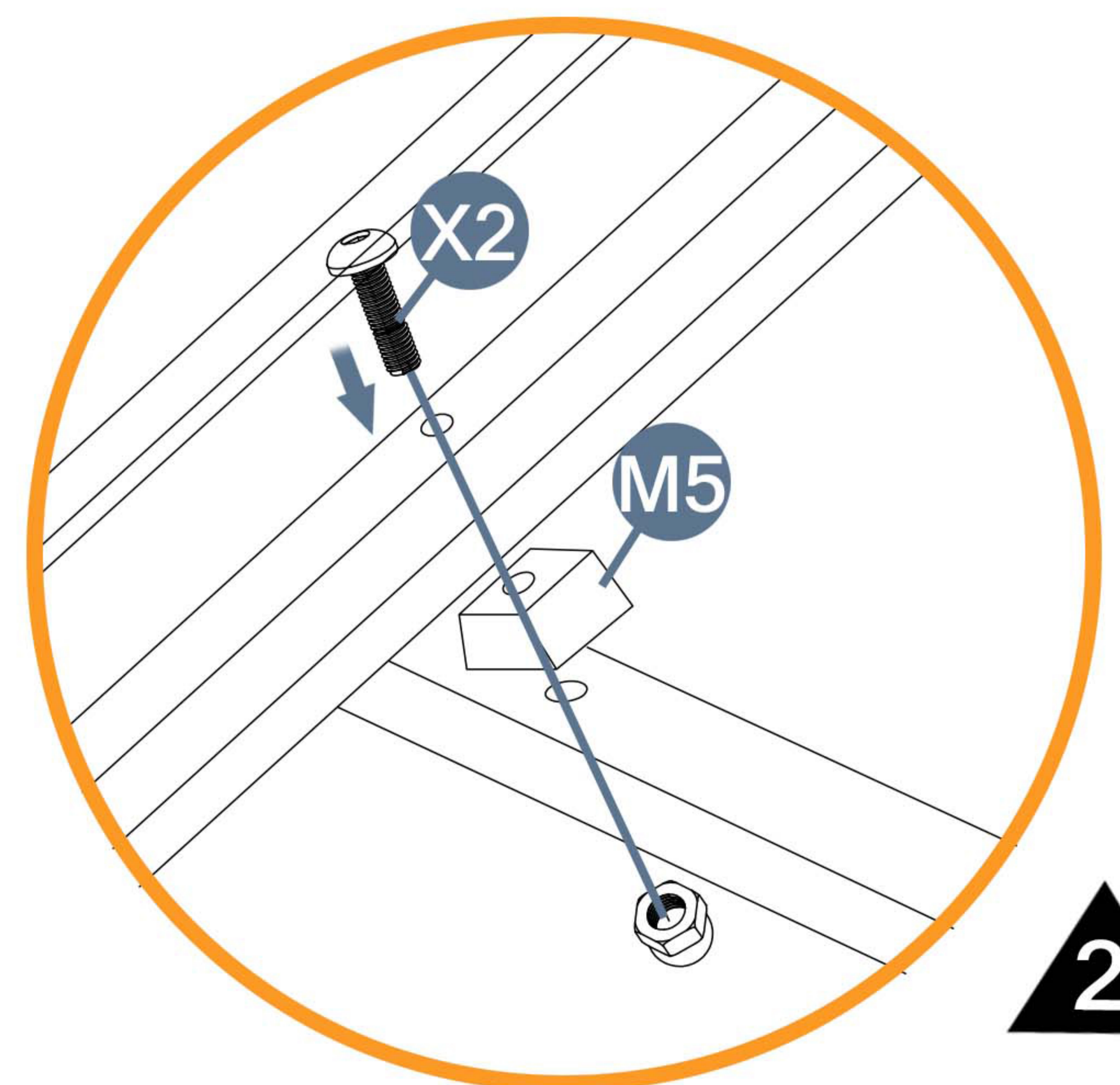
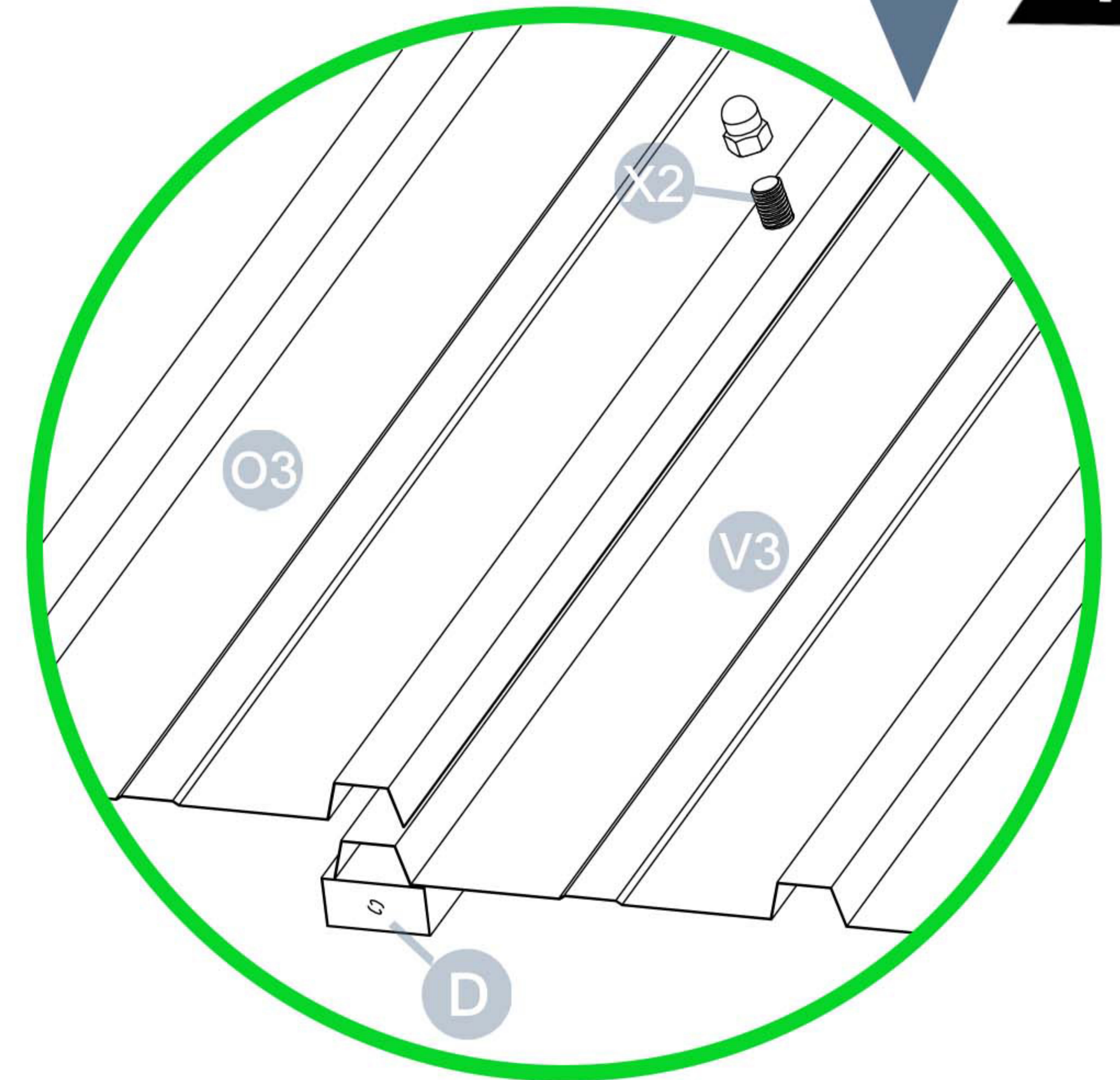
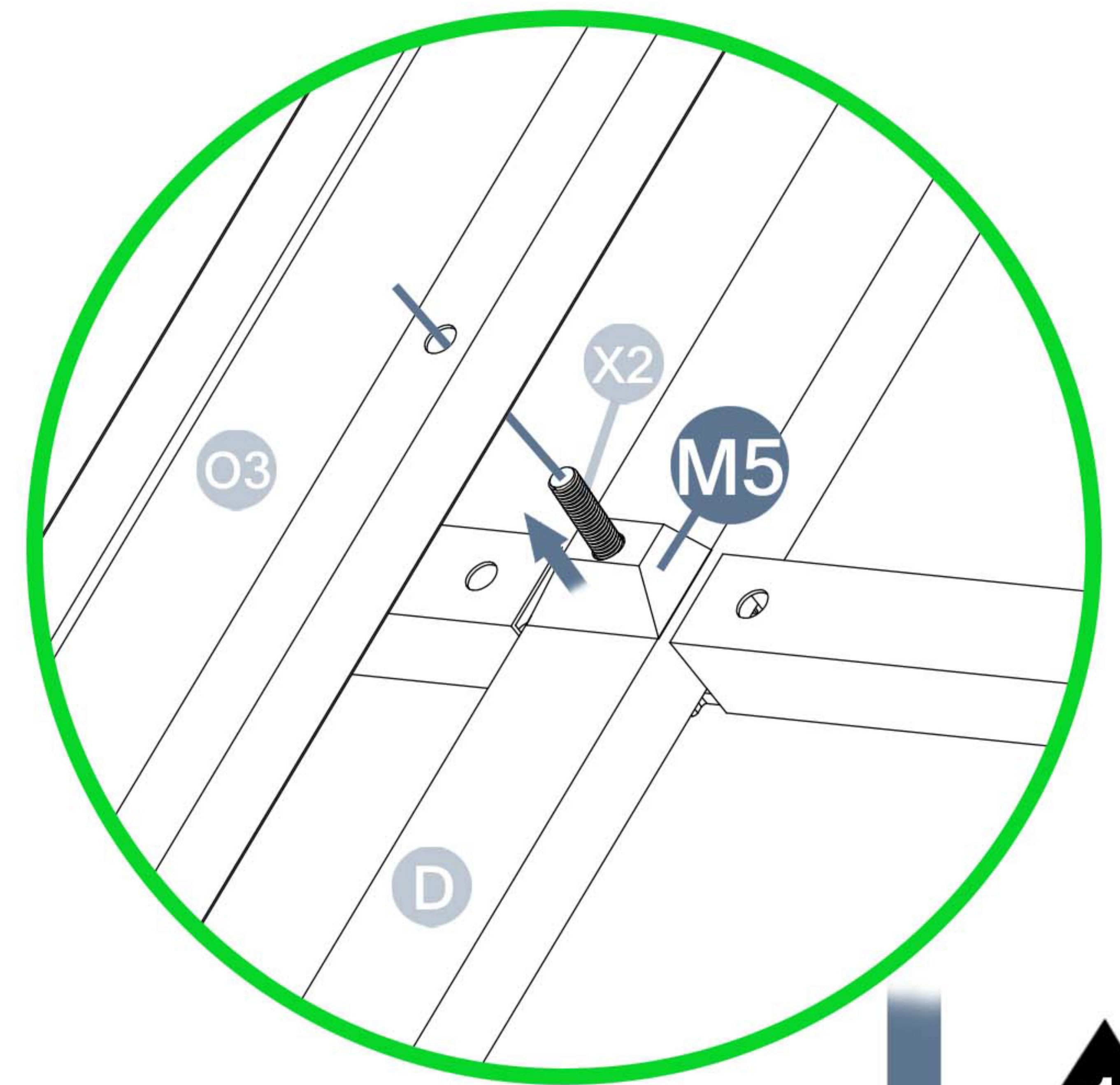
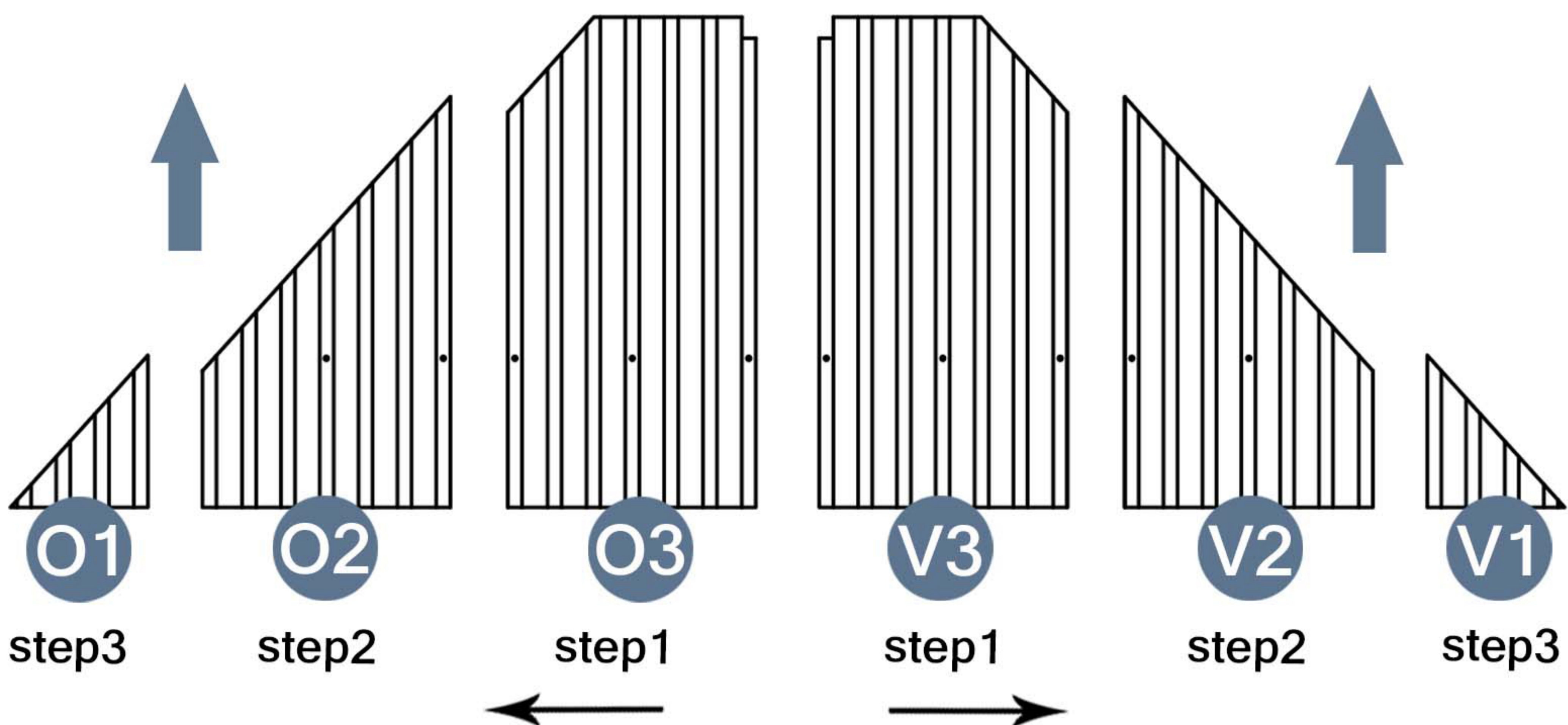
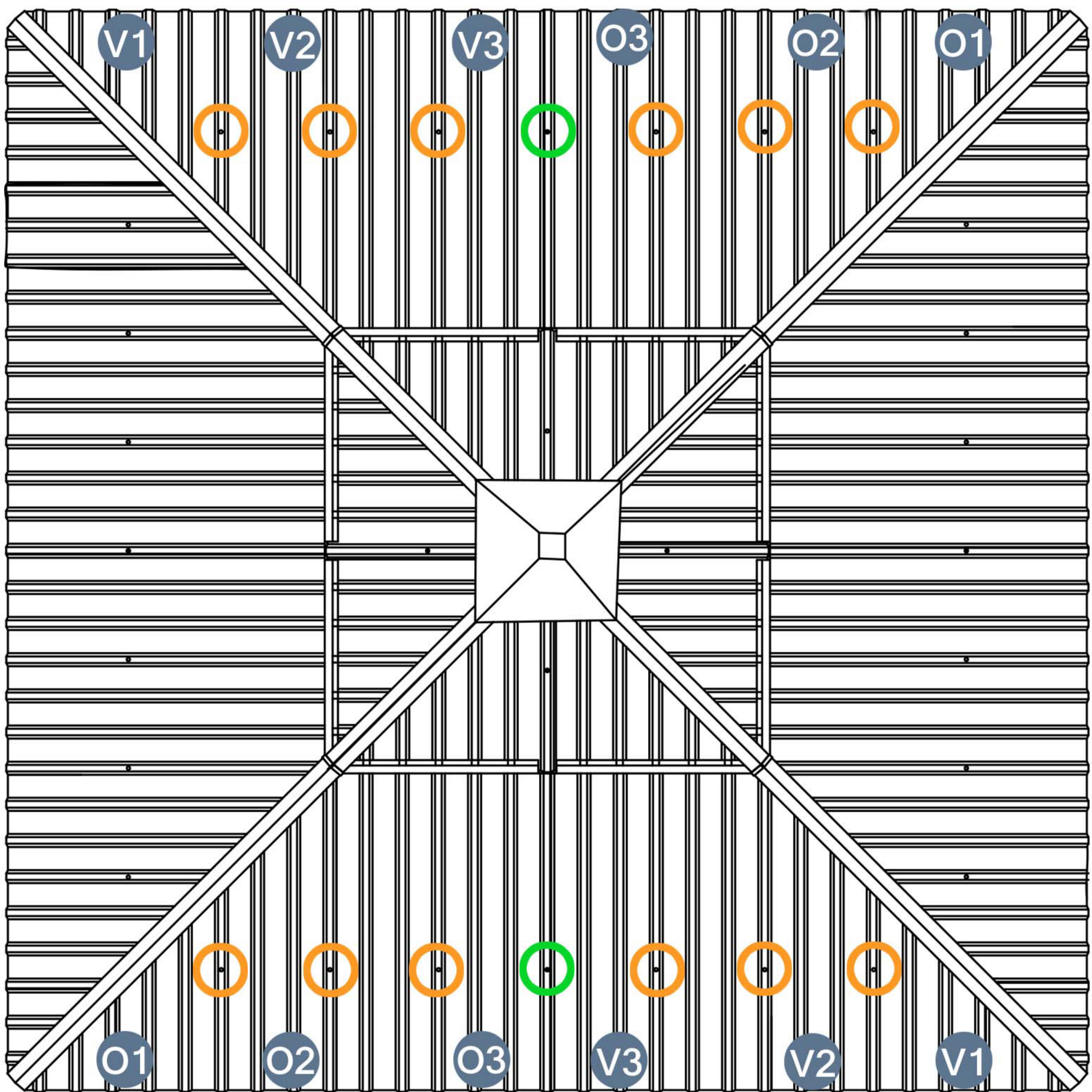
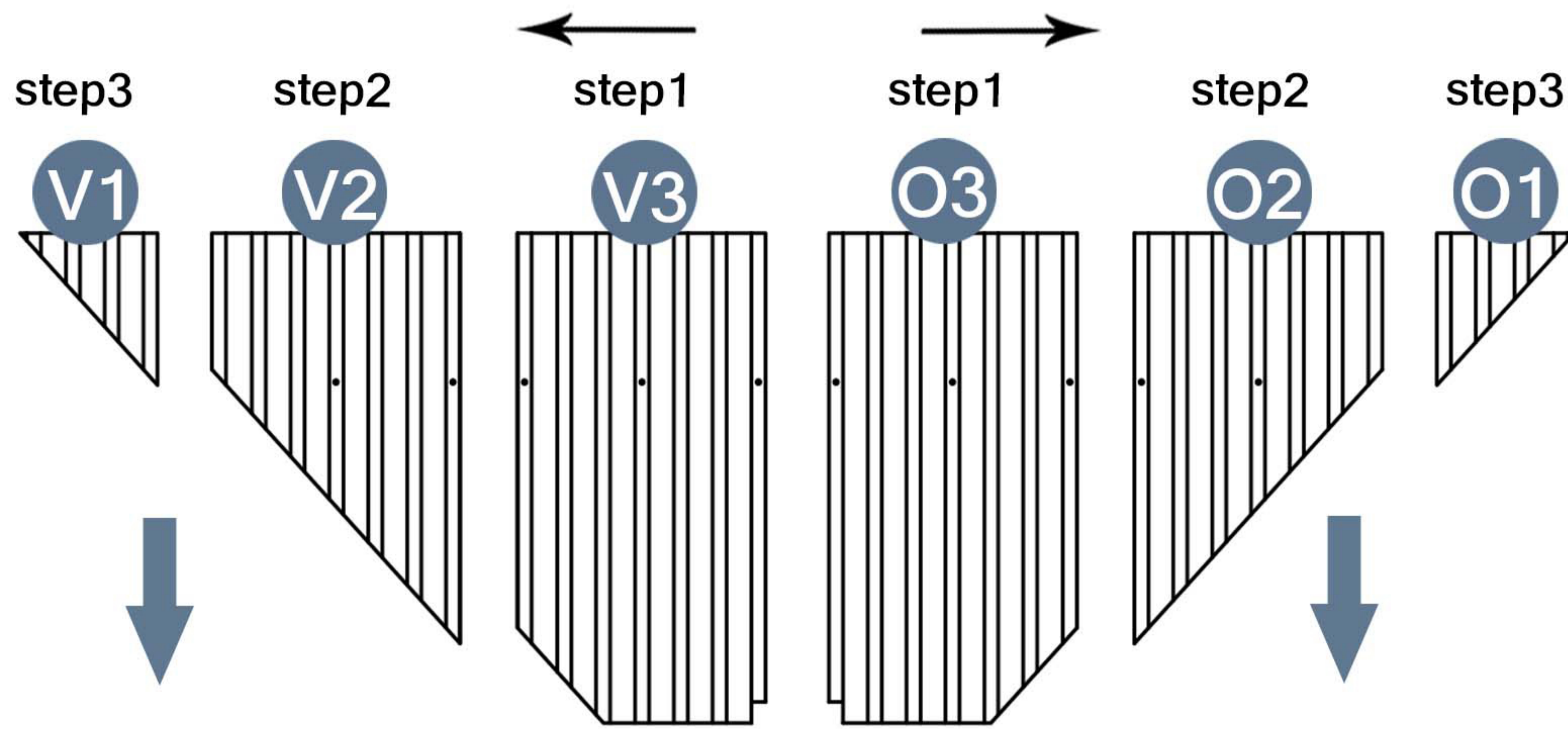
M5 14pcs

O3 2pcs

V3 2pcs



Pay attention to the direction of screw installation

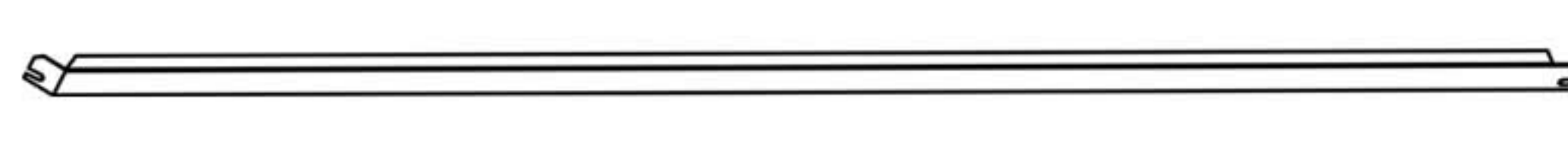


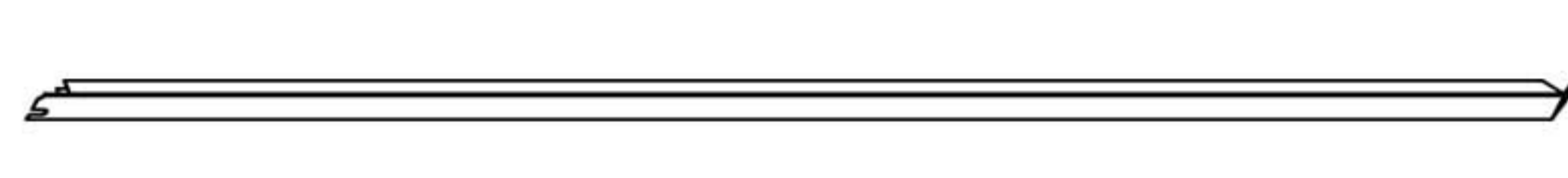
Please take care of the screws and contact the after-sales service if there is any problem with the installation or parts.

➔ E-mail: cs.helper01@gmail.com

STEP 20

Parts required

 **G** 4pcs

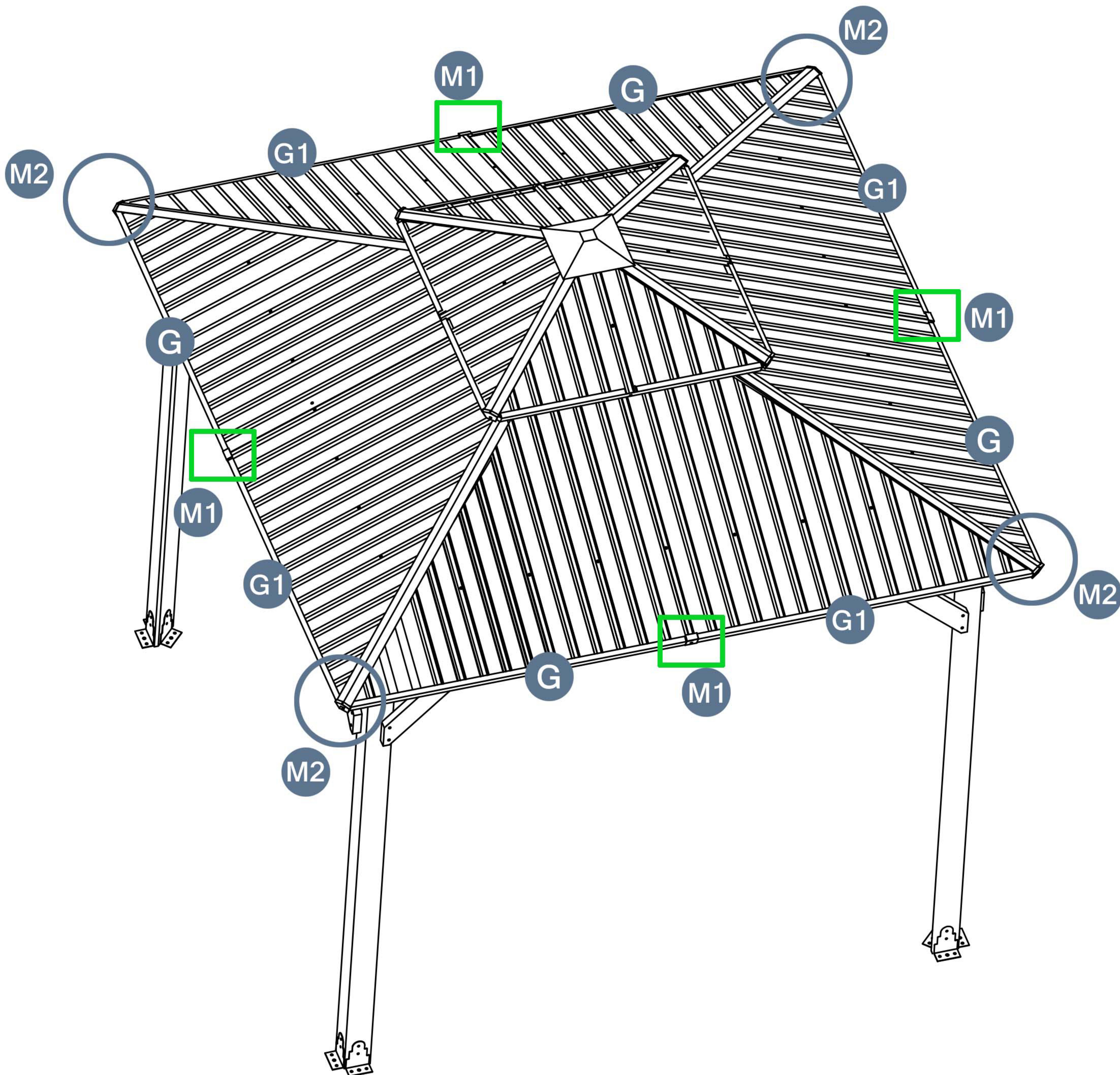
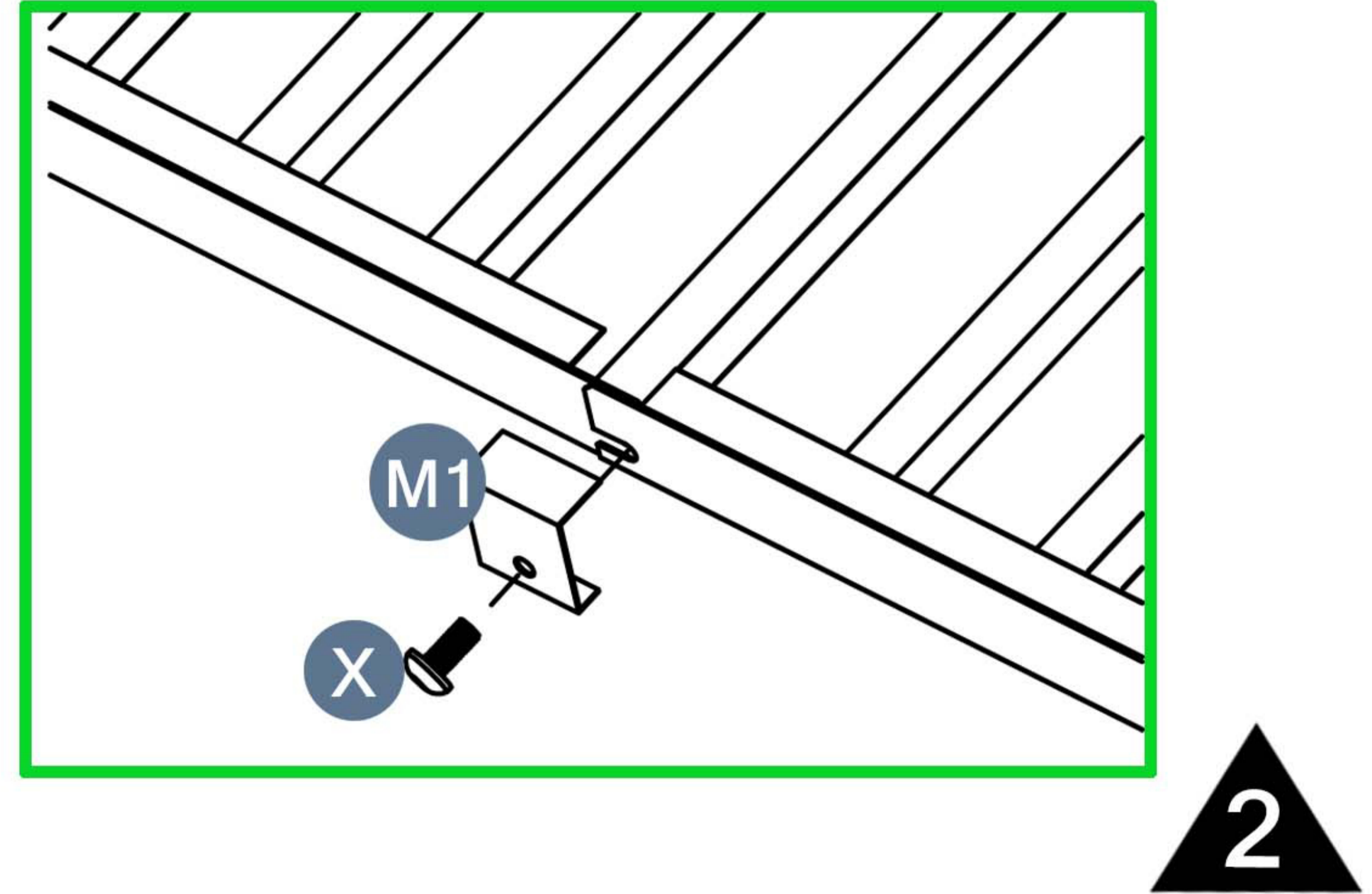
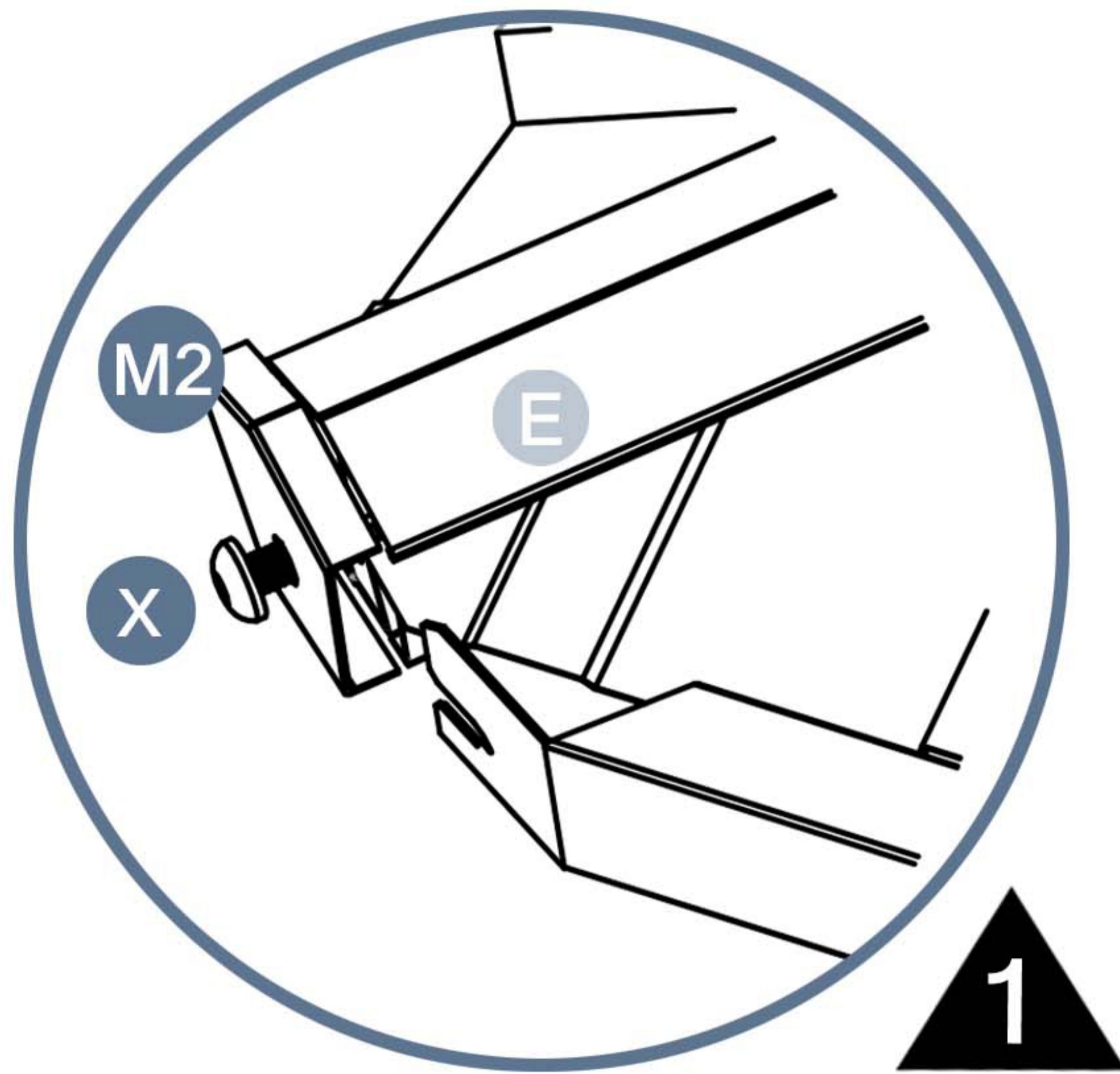
 **G1** 4pcs

 **M1** 4pcs

 **M2** 4pcs

 **X** 8pcs

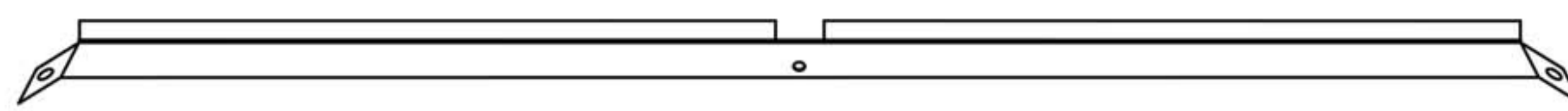
1 → 2



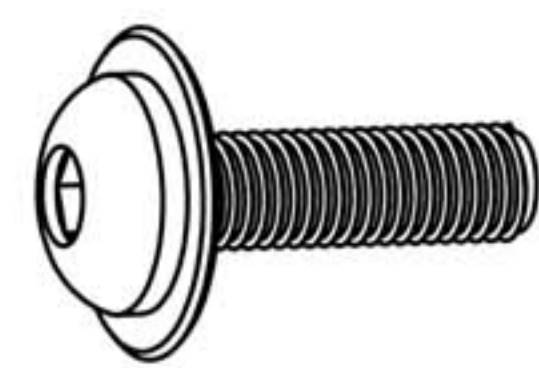
Please take care of the screws and contact the after-sales service if there is any problem with the installation or parts.

STEP 21

Parts required



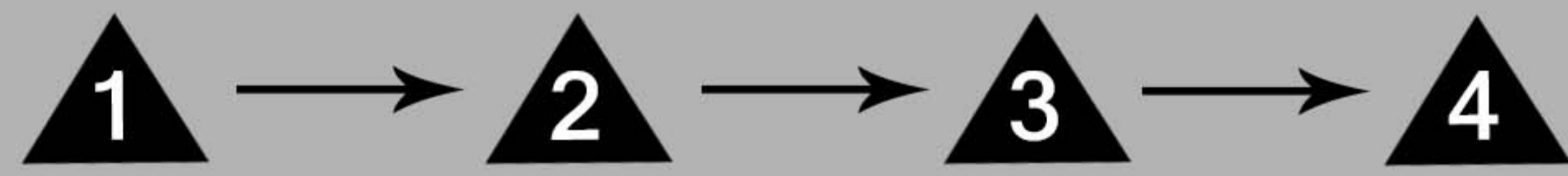
G10 4pcs



X3 4pcs

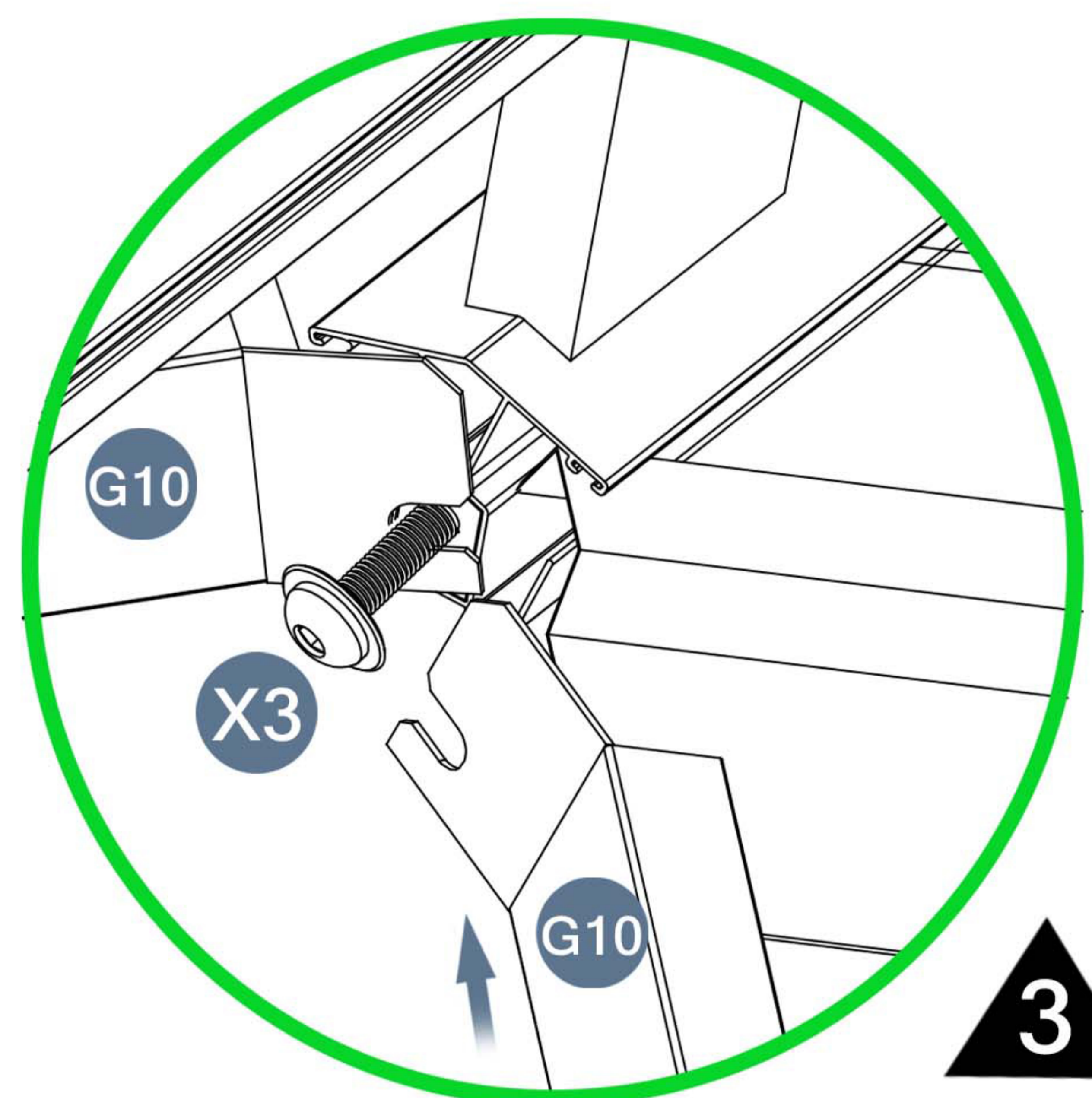
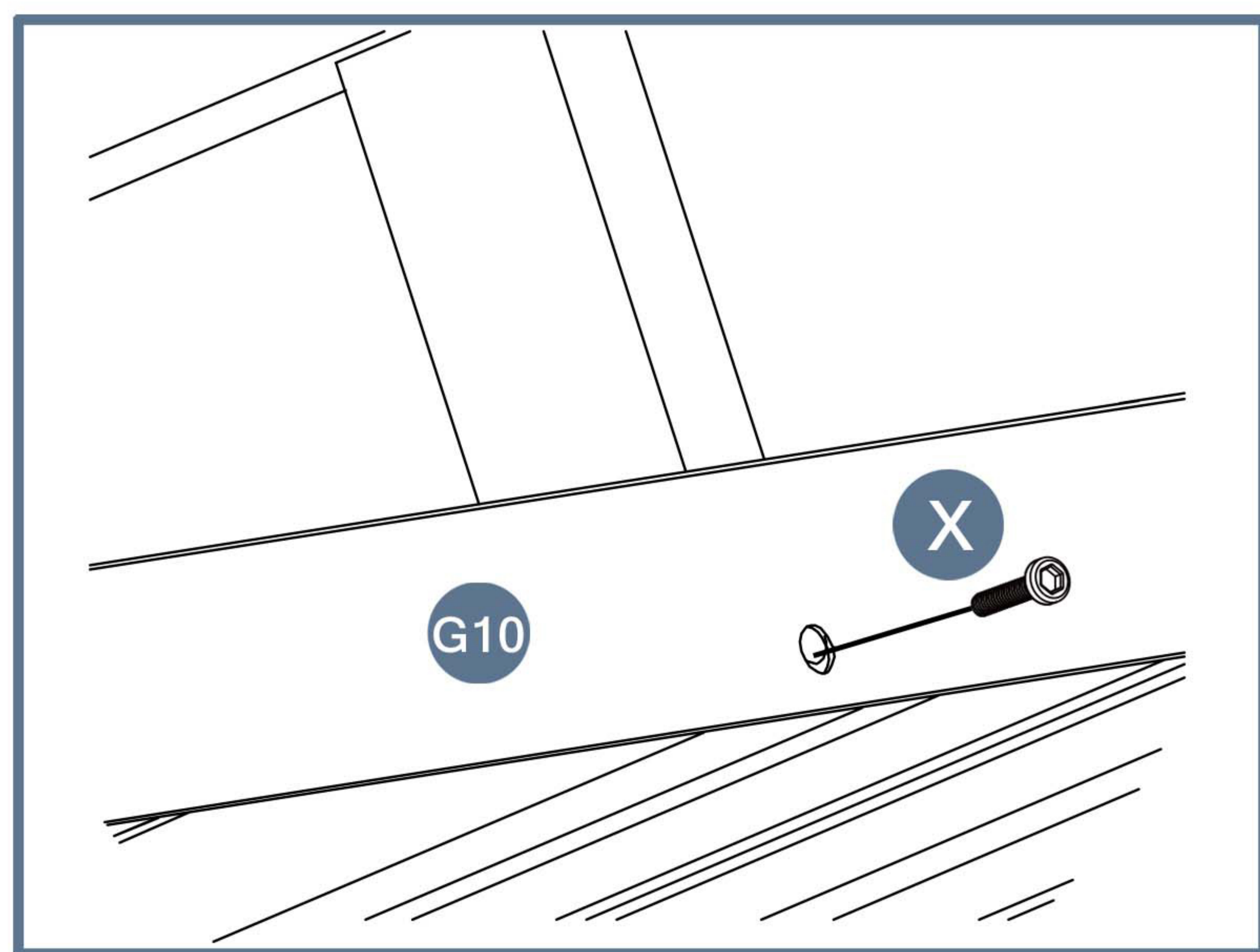
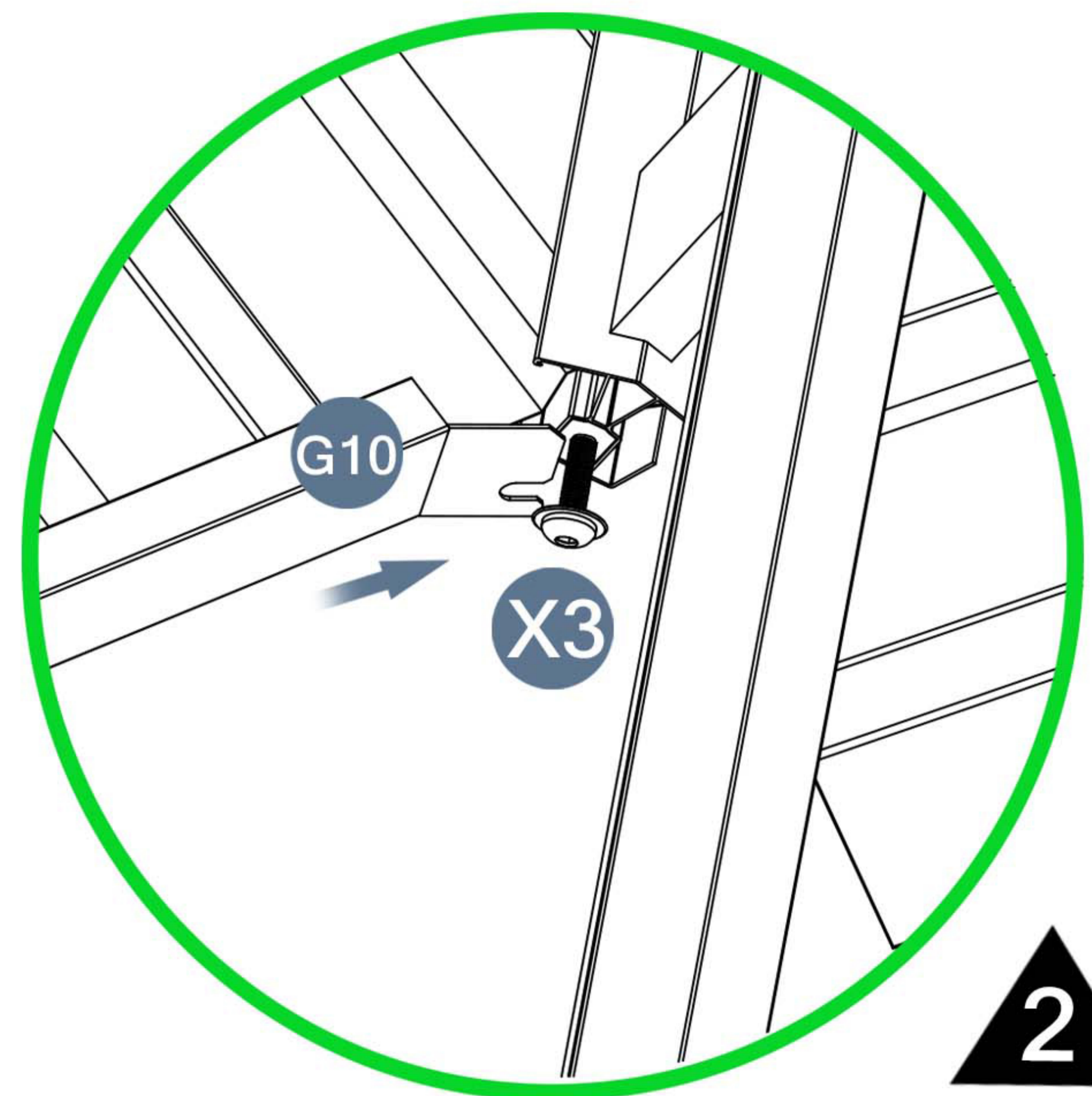
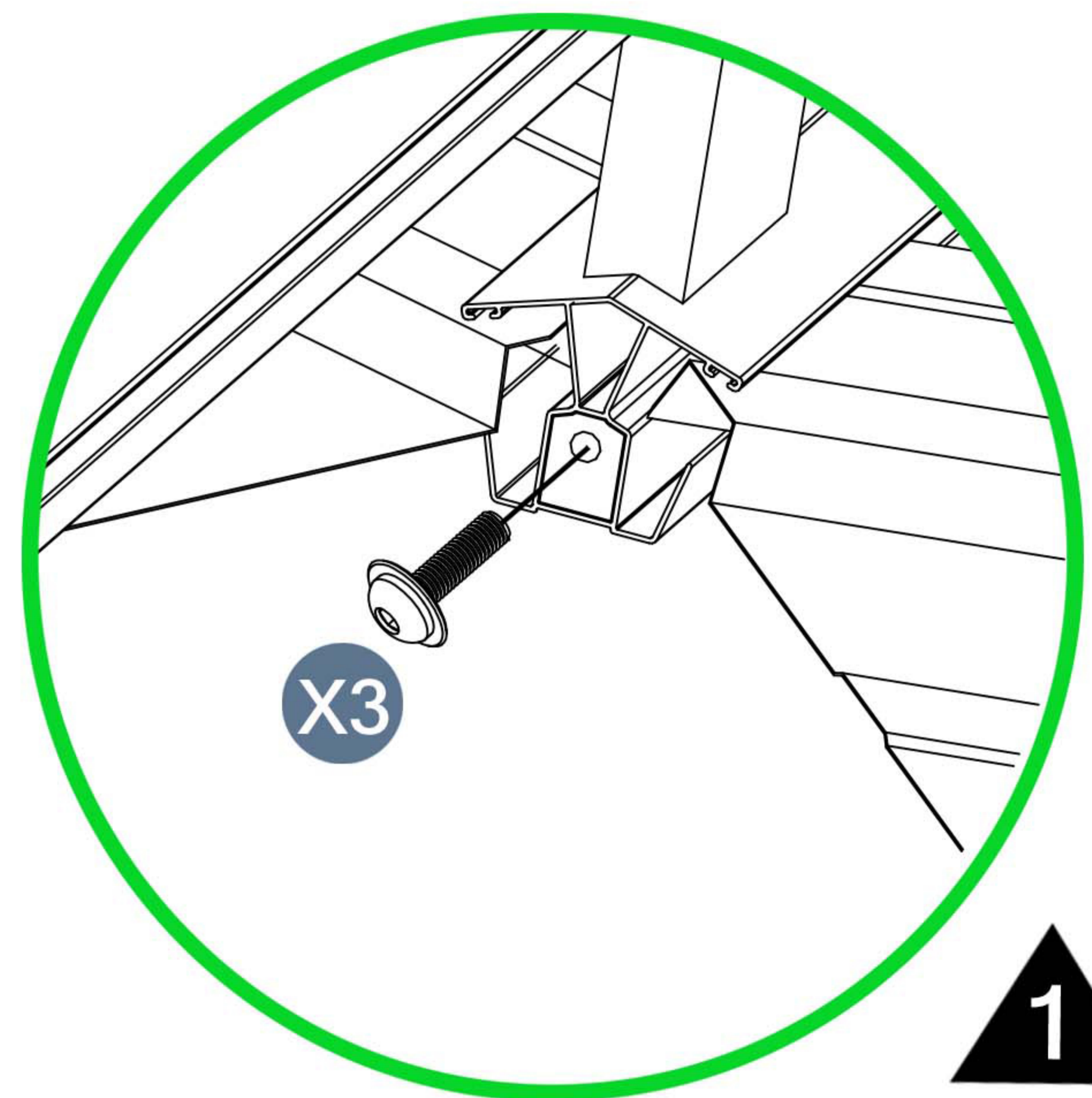
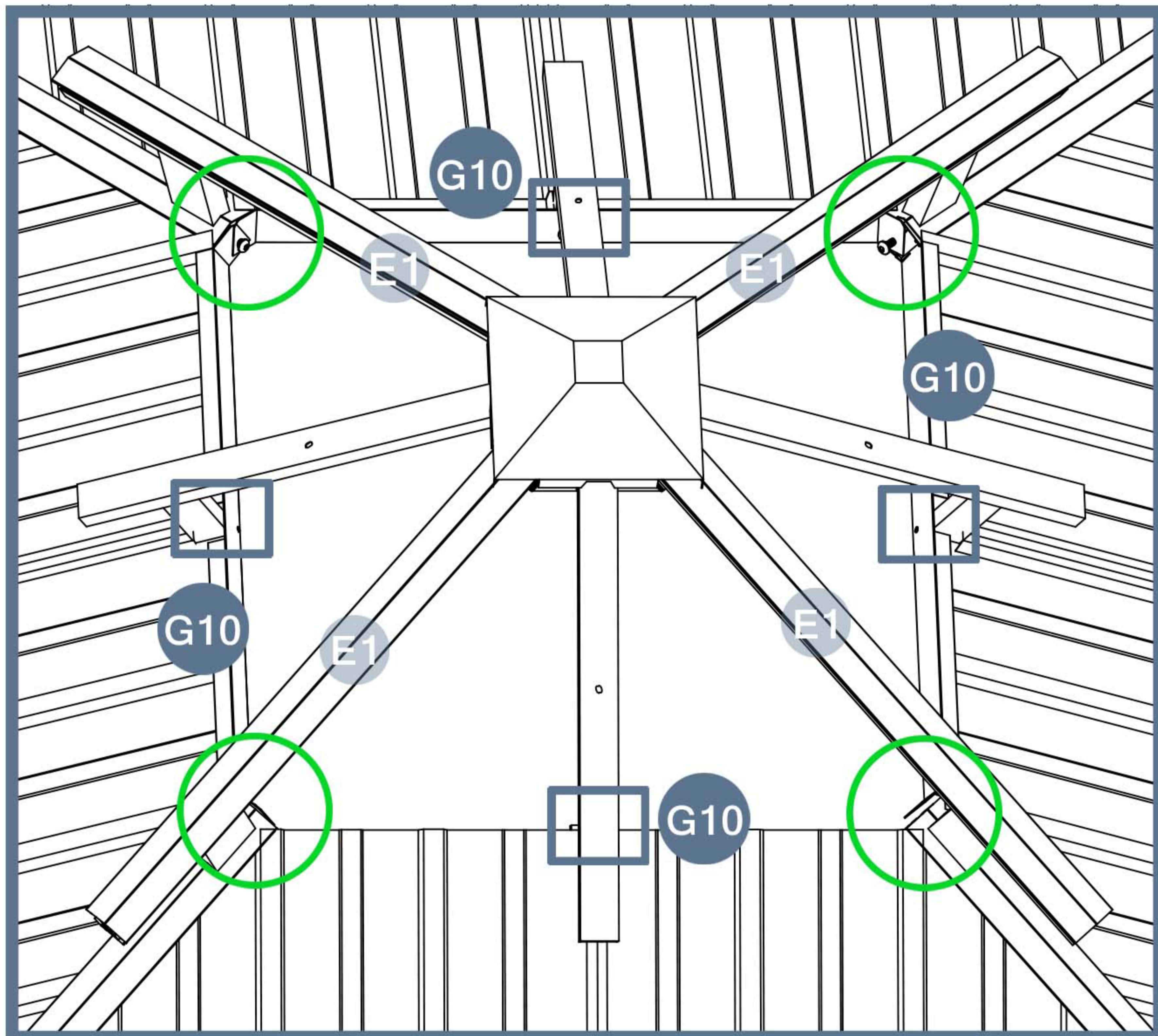


X 4pcs



It can be installed from the inside.

To better align the screws for practical situations, do not fully tighten screws initially.

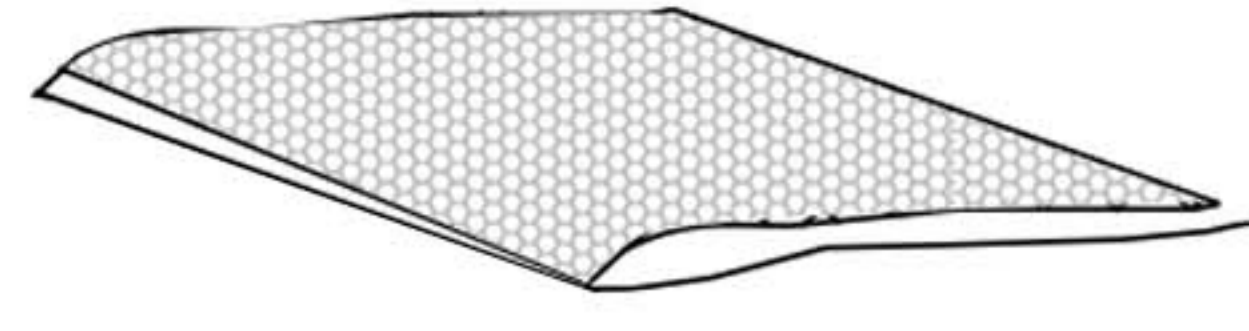


Please take care of the screws and contact the after-sales service if there is any problem with the installation or parts.

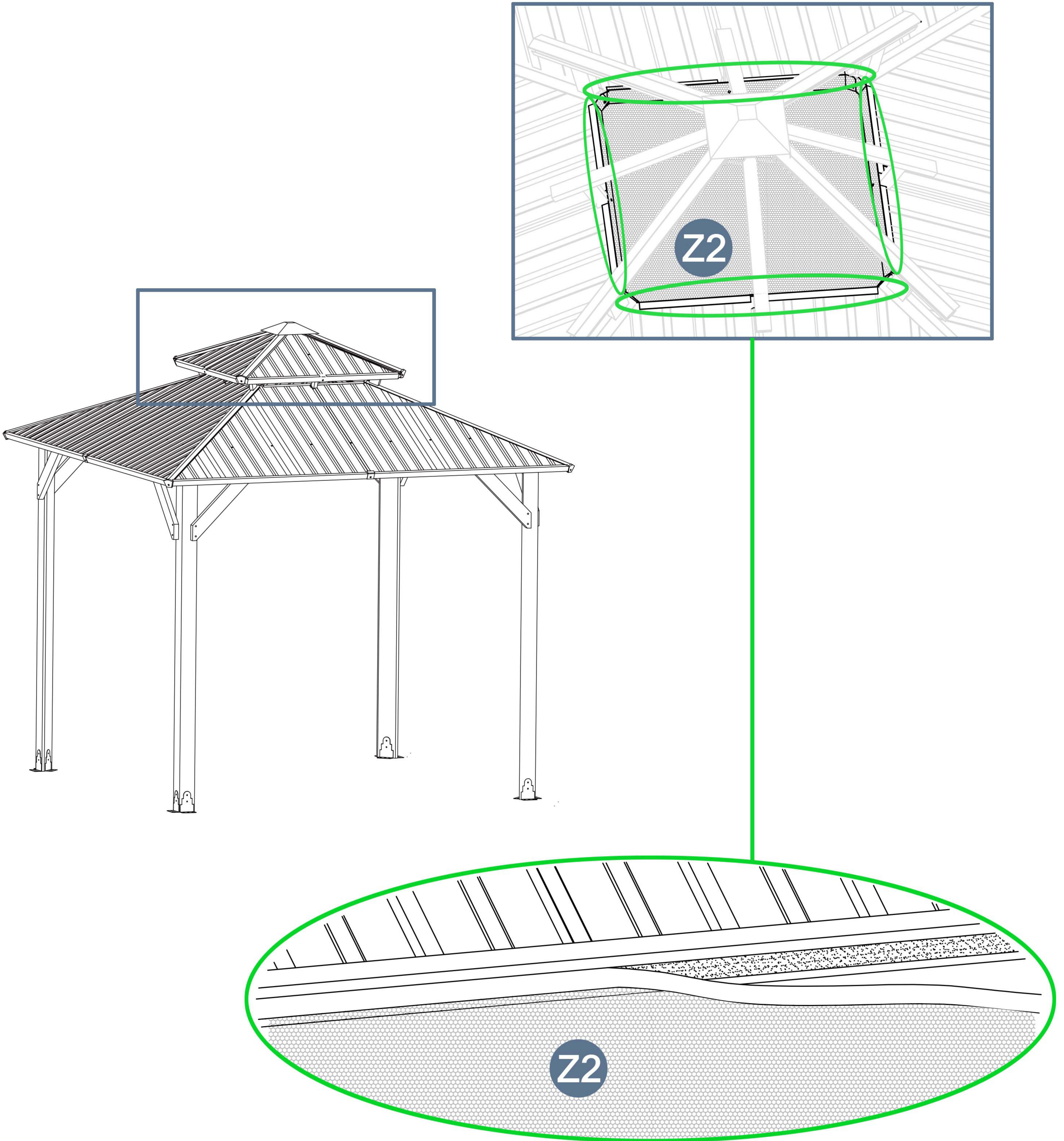
➔ ✉ E-mail: cs.helper01@gmail.com

STEP 22

Parts required



Z2 1pcs

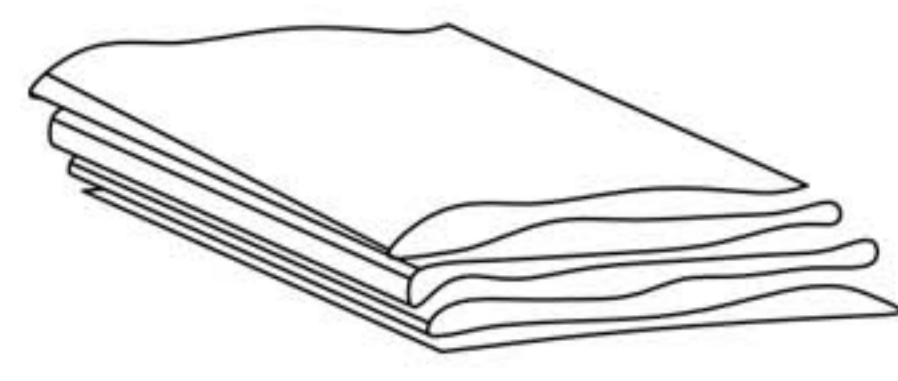


Please take care of the screws and contact the after-sales service if there is any problem with the installation or parts.

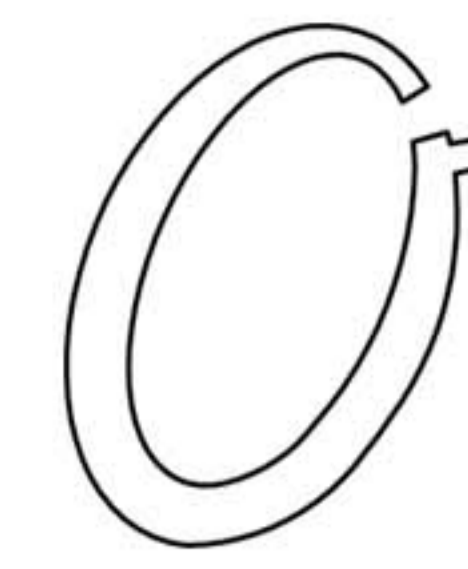


STEP 23

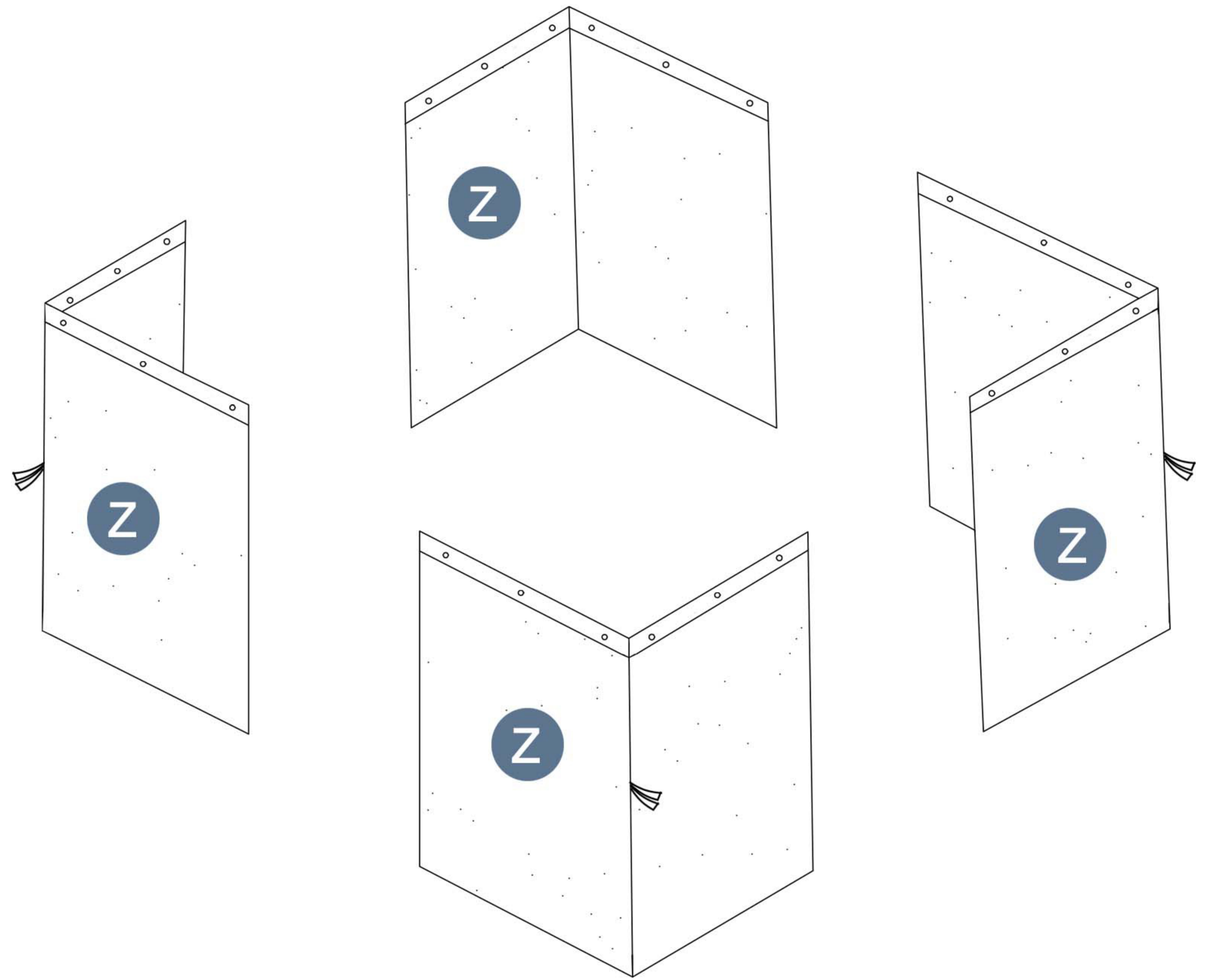
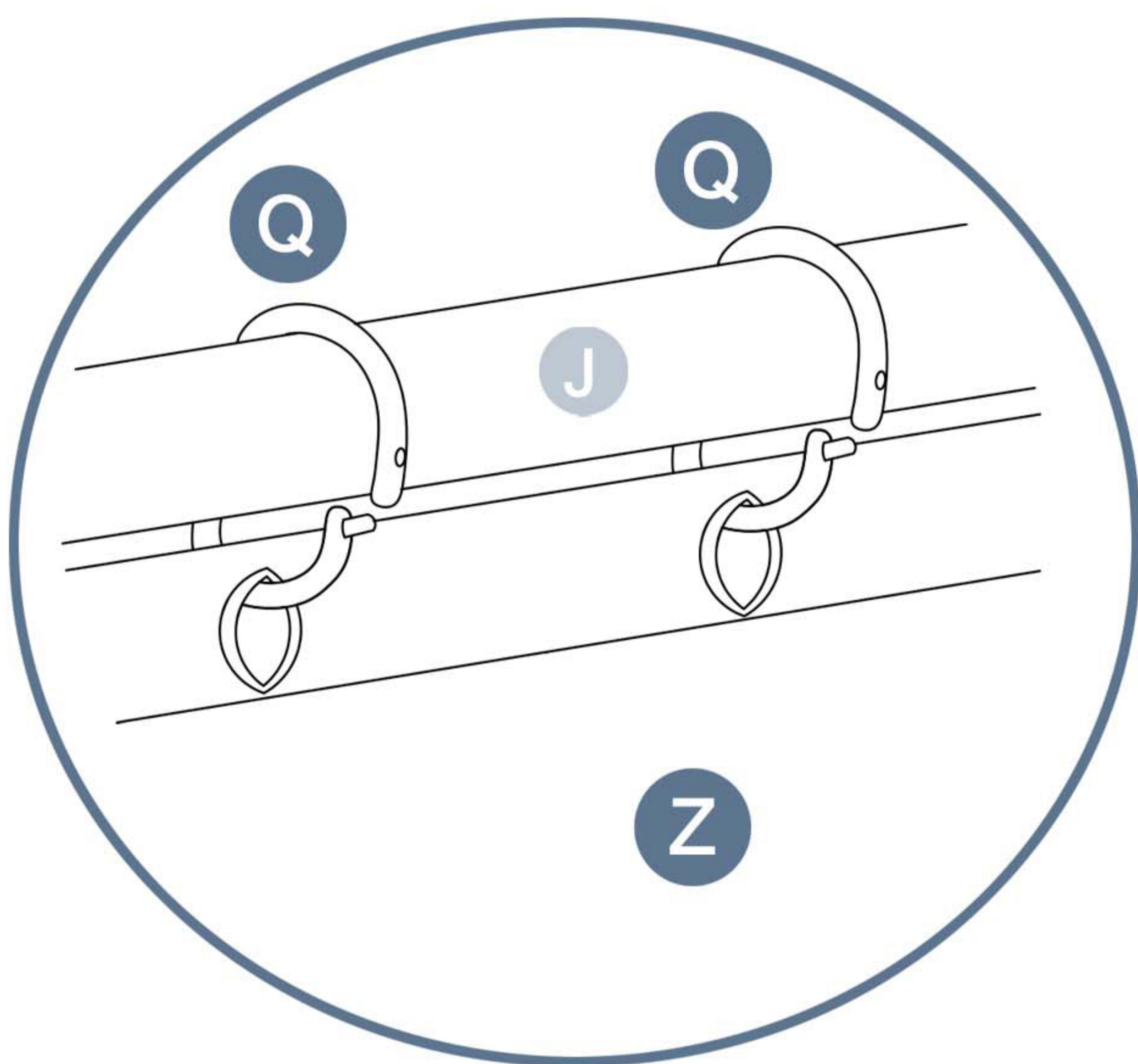
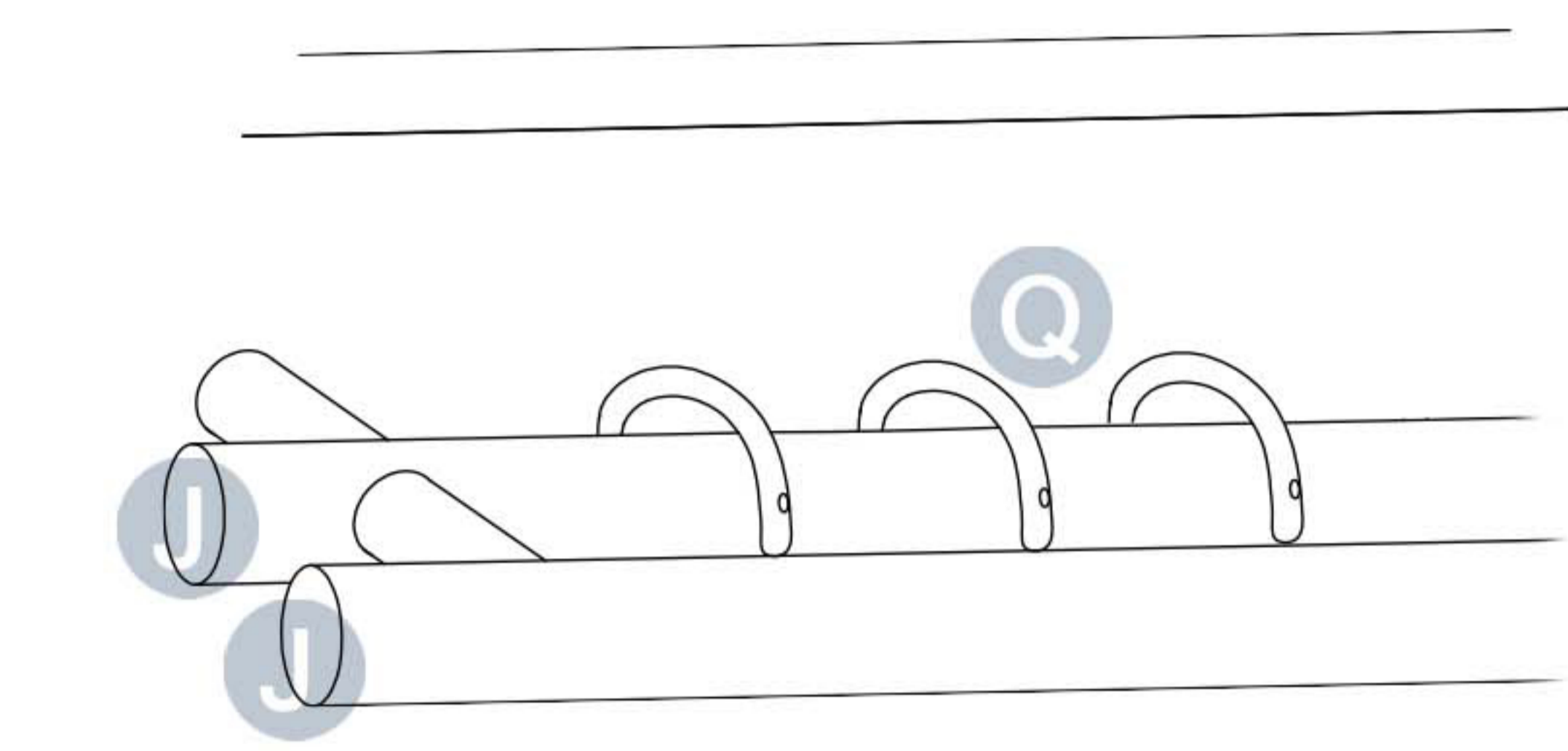
Parts required



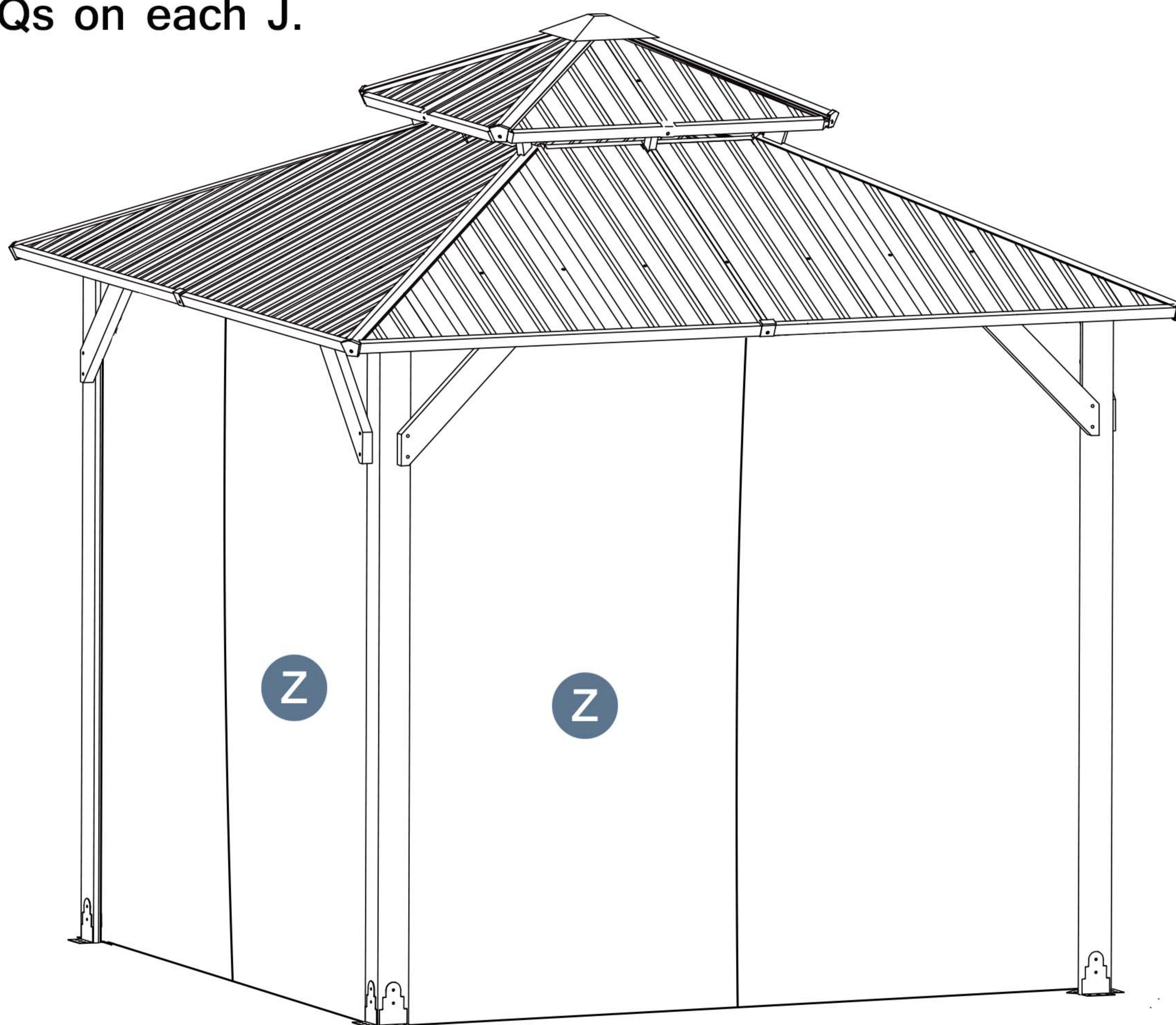
Z 1pcs



Q 24pcs



There are 3 Qs on each J.

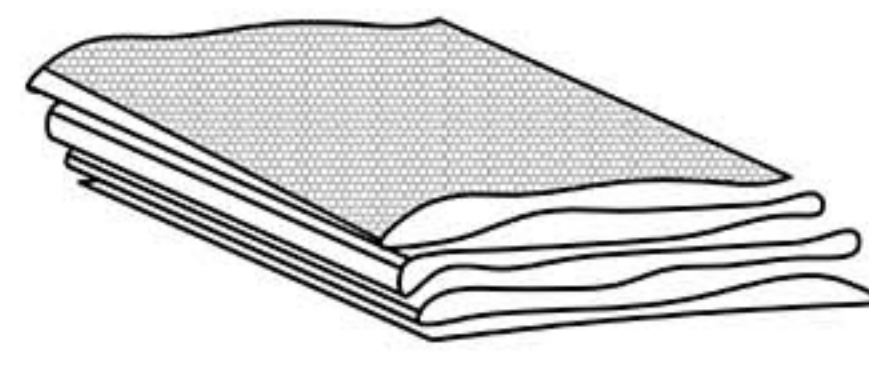


Please take care of the screws and contact the after-sales service if there is any problem with the installation or parts.

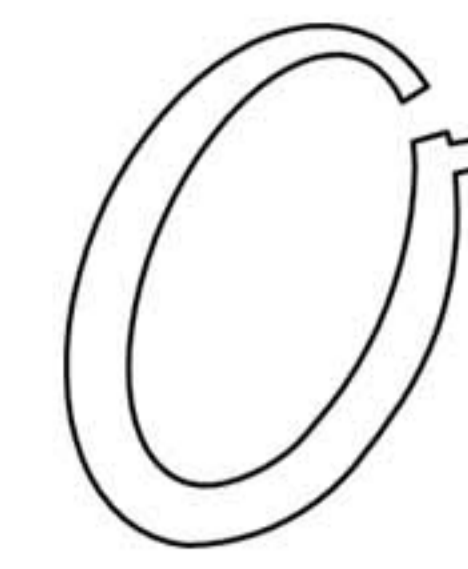
➔ ✉ E-mail: cs.helper01@gmail.com

STEP 24

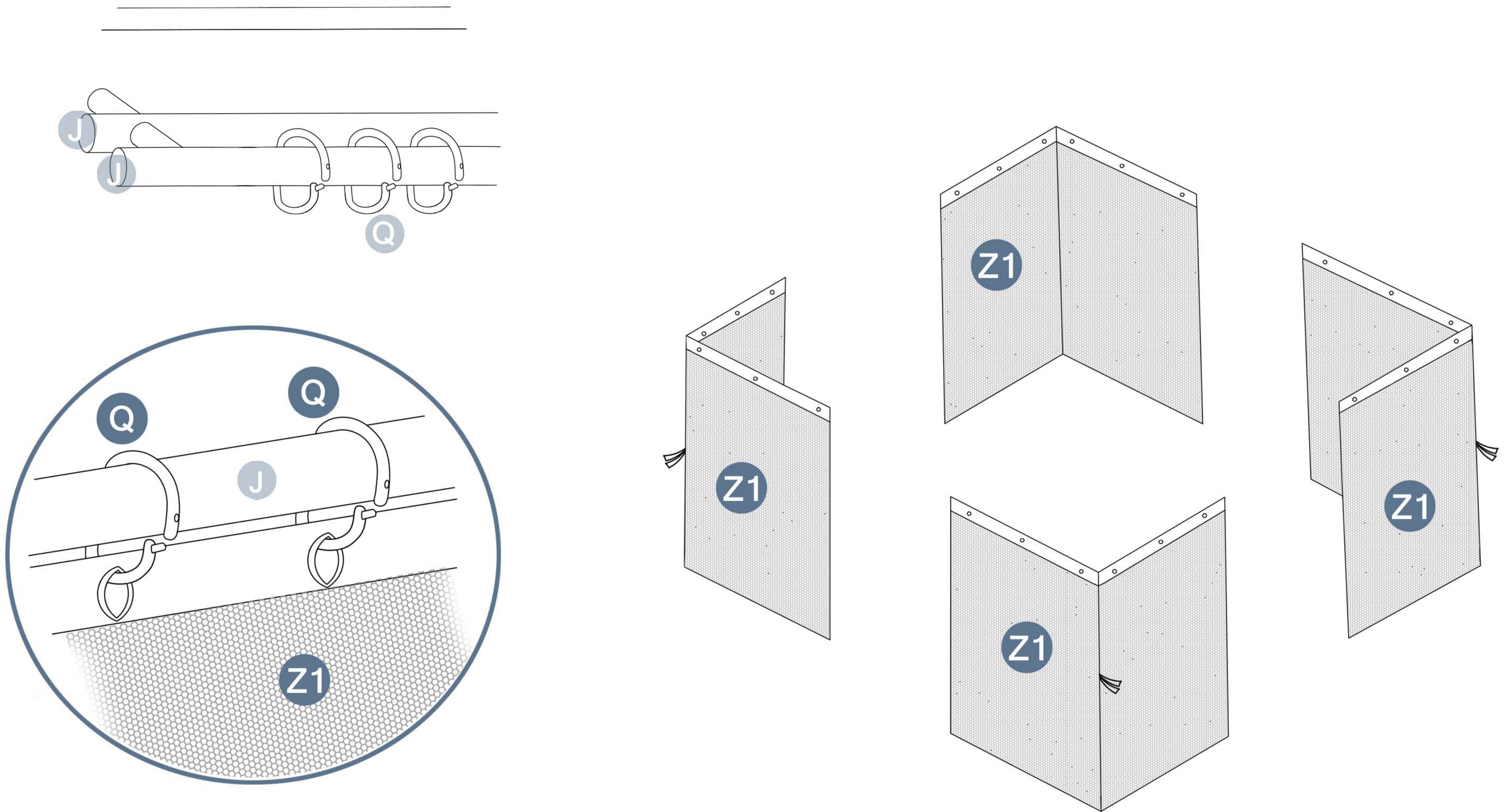
Parts required



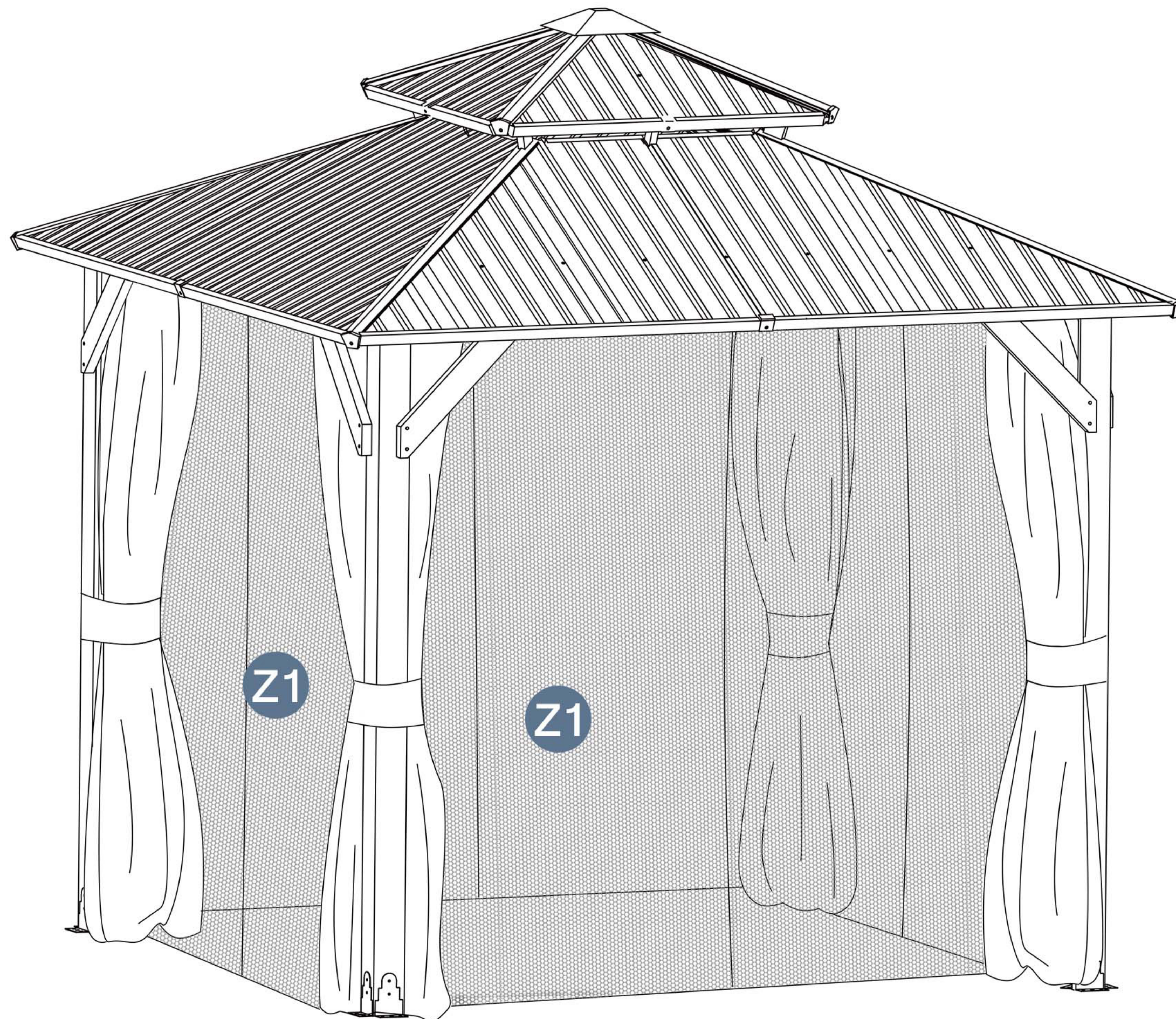
Z1 1pcs



Q 24pcs



There are 3 Qs on each J.



Please take care of the screws and contact the after-sales service if there is any problem with the installation or parts.



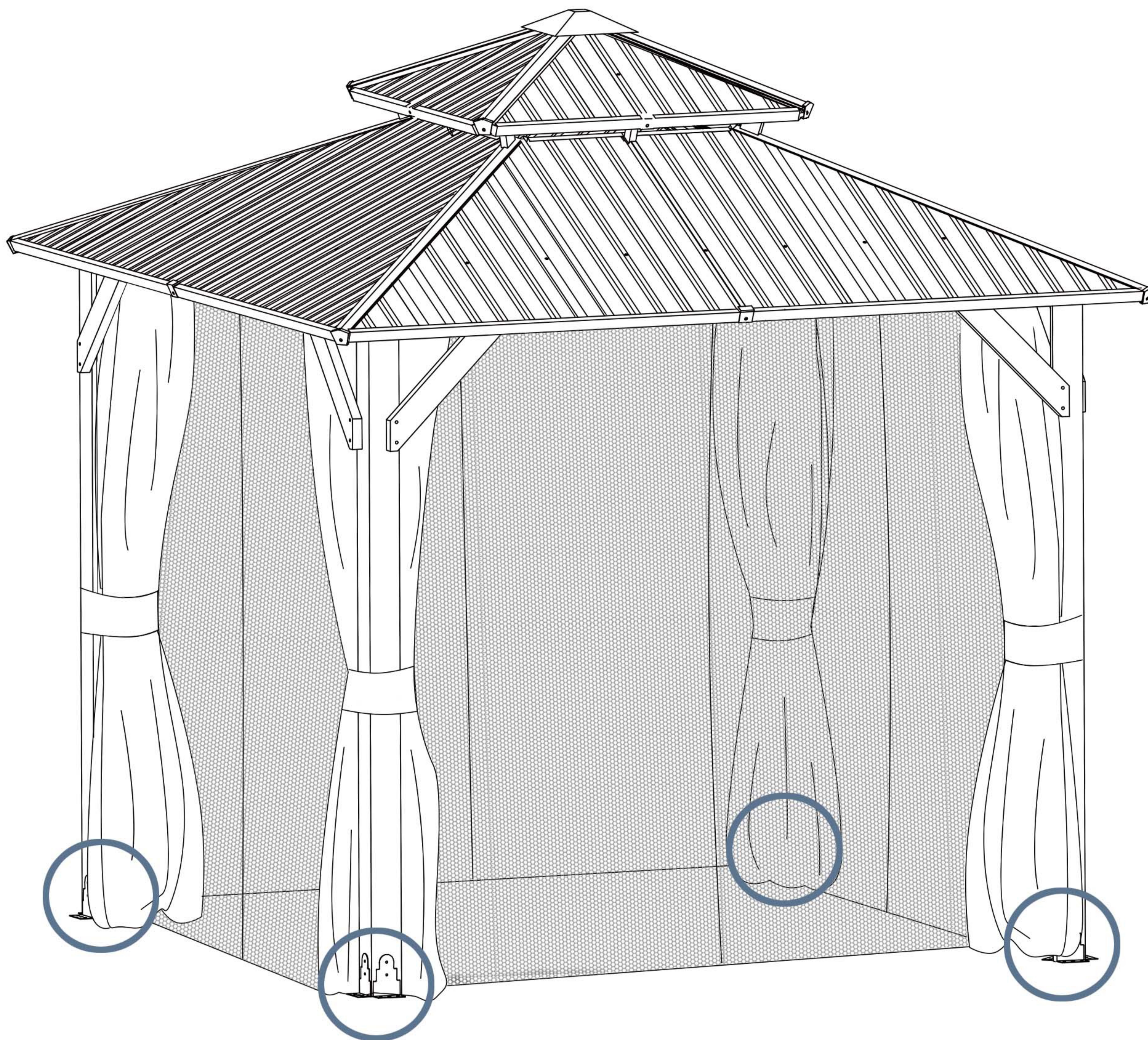
STEP 25

Parts required

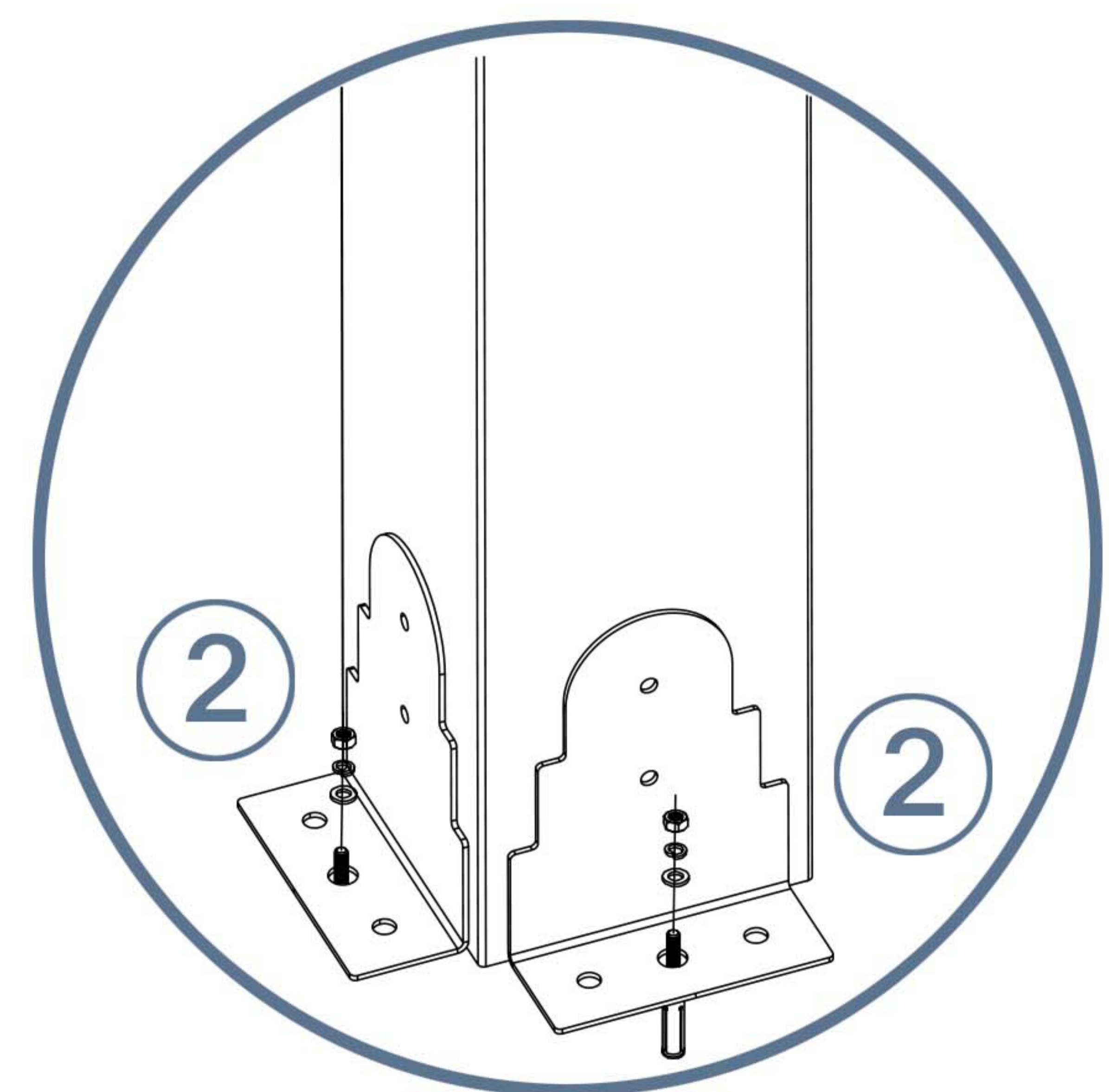


② 8pcs

To improve stability of gazebo, expansion screws very necessary. Expansion screws use for cement surfaces and have included in the package.



!!! For safety's stake, please check and make sure that all screws are tightened after all installation is complete.



Installation Completed

Please take care of the screws and contact the after-sales service if there is any problem with the installation or parts.

➔ ✉ E-mail: cs.helper01@gmail.com

Hope you enjoy this product.

If you have any concerns about gazebo Installation, please feel free to contact us. We will reply within 24 hours.



E-mail: cs.helper01@gmail.com