



BARN LIGHT ELECTRIC COMPANY®

INSTALLATION INSTRUCTIONS FLUSH MOUNT GUARD SCONCE

Thank you for purchasing from Barn Light Electric, America's leading manufacturer of hand-crafted shades and exclusive source for porcelain enamel lighting! For questions or concerns about your purchase, please contact us!

INS-0016 REV H (HWK-0012)

IMPORTANT

Read all instructions before assembly. Installation is to be done by a qualified professional. **For wet locations, junction between the mounting surface and luminaire must be sealed with caulking.**

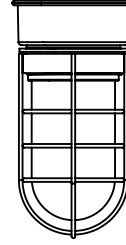
CAUTION: Risk of fire, this product must be installed in accordance with the applicable installation code by a person familiar with the construction and operation of the product and the hazards involved.

INSTRUCTIONS

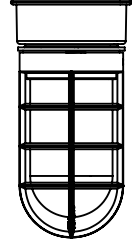
1. Disconnect power at the electrical panel before installation.
2. Remove cast guard (A) and glass (B) from fixture (C).
3. Remove the o-ring (D) inside the fixture (C).
4. If adapter bracket (E) is necessary, secure adapter bracket (E) to junction box (F) with two mounting screws (G). **NOTE: Mounting screws (G) not included.**
5. Feed wires from fixture (C) through adapter bracket (E).
6. Use wire nuts (H) to connect power supply to the black wire and neutral wire to the white wire. **NOTE: Wire nuts (H) not included.**
7. Attach ground wire (I) to the junction box (F), green wire or bare wire.
8. Secure fixture (C) to the adapter bracket (E) (if used) or directly to the junction box (F) with two screws (J). Tighten until flush against the wall/ceiling. **NOTE: If used in wet location, seal connection with caulking.**
9. Reinstall o-ring (D) inside fixture.
10. Install light bulb (not provided).
11. Reinstall glass (B) and cast guard (A). Tighten set screw (K) in cast guard.

ALTERNATE FIXTURES

These alternative styles follow the same installation instructions as the illustration shown below.

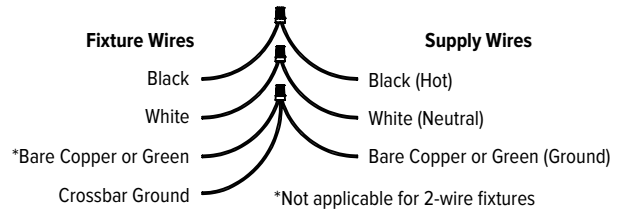


Flush Mount Guard Sconce
with Wire Guard



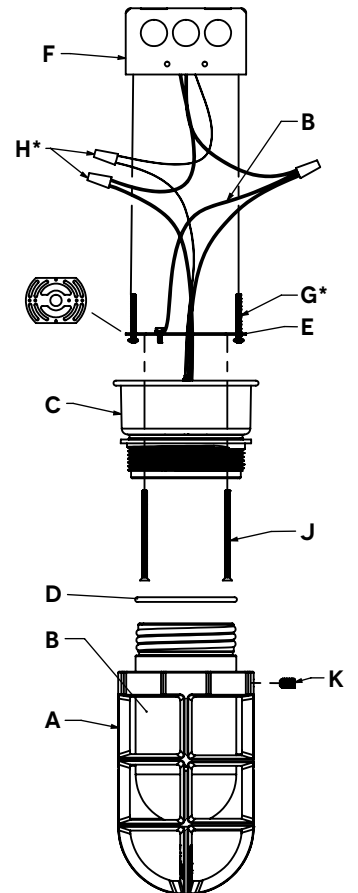
Flush Mount Guard Sconce
with Standard Cast Guard

WIRING DIAGRAM



FLUSH MOUNT GUARD SCONCE

- A. Cast Guard (Varies)
- B. Glass
- C. Fixture
- D. O-Ring
- E. Adapter Bracket
- F. Junction Box
- G. Mounting Screws*
- H. Wire Nuts*
- I. Ground Wire
- J. Screw
- K. Set Screw



***IMPORTANT:** Mounting screws and wire nuts not included in hardware kit. Standard screw sizes include: 6-32, 8-32, 10-24 and 10-32.