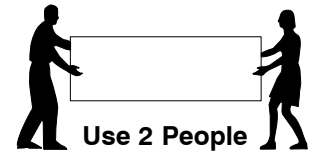
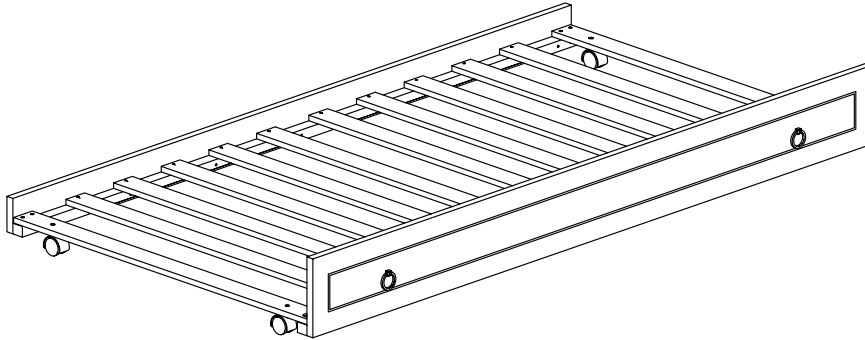


Daybed Trundle

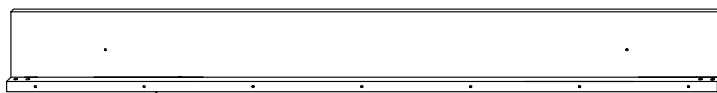
Assembly Instructions

1 Assembled View

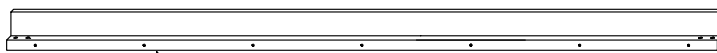


Note: Do not assemble using power tools. This can cause the bolts to be overtightened

2 Parts List



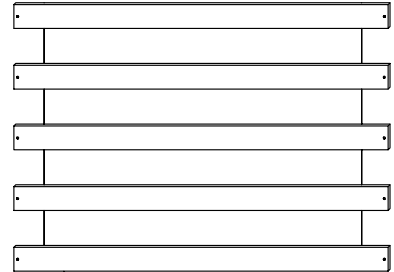
A Trundle Front Panel x 1



B Trundle Rear Panel x 1



C Trundle Support Rail x 2

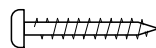


D Set of Slats x 2

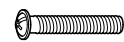
3 Hardware List



1 M6 x 40mm JCB
x 8



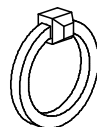
2 Wood Screw
(M4 x 32mm)
x 20



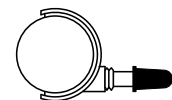
3 Wood Screw
(M4 x 22mm)
x 2



4 Allen Key
x 1



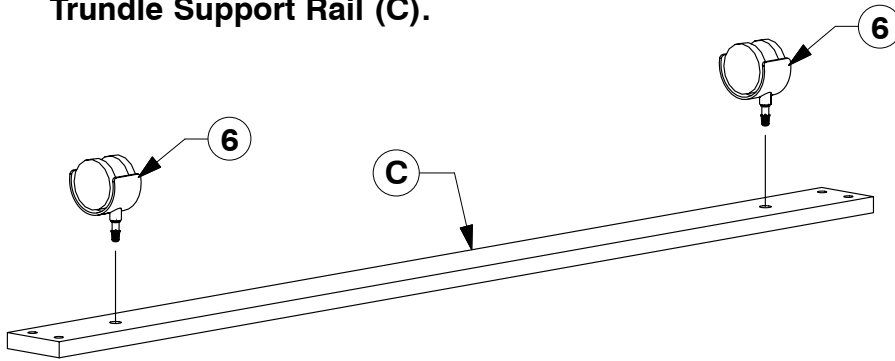
5 Handle
x 2



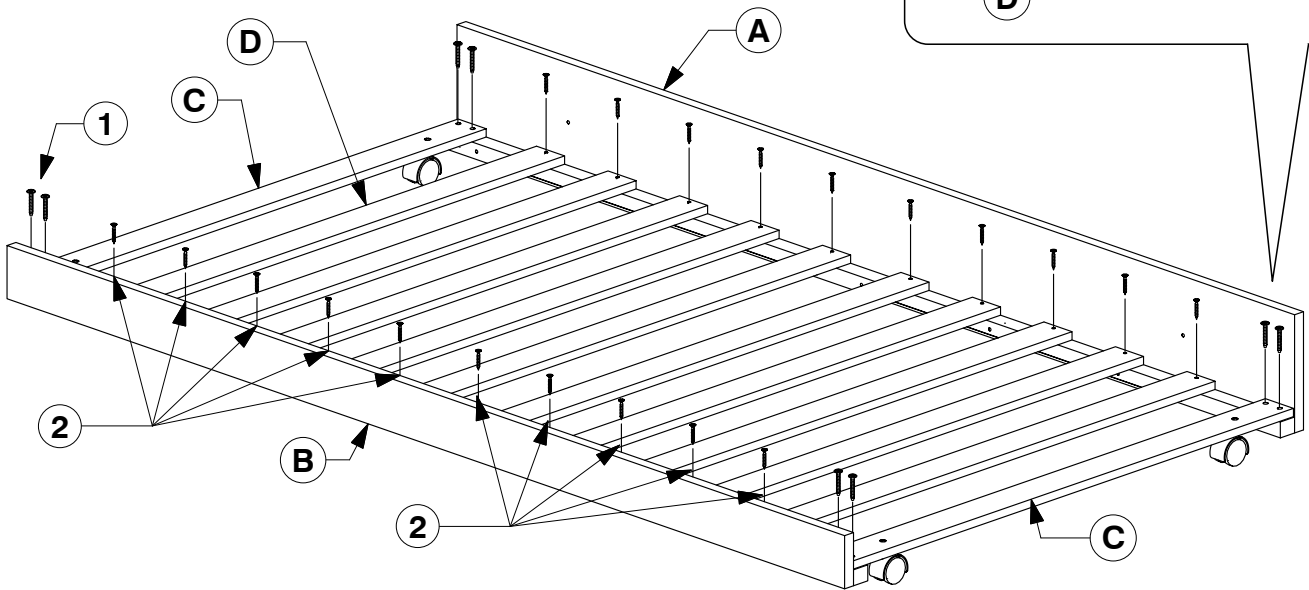
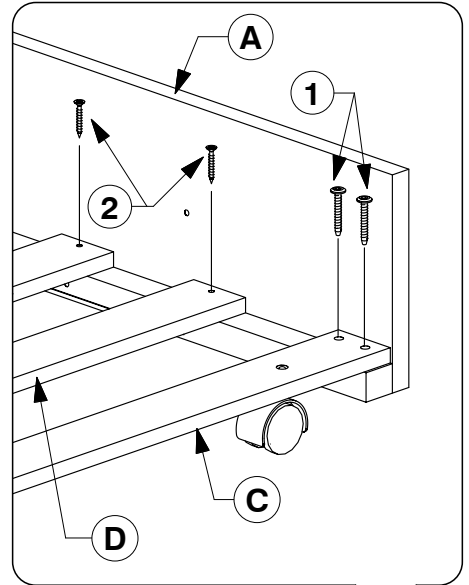
6 Wheels
x 4

Assembly Instructions

- 4** Fit the Wheels (6) to the Trundle Support Rail (C).



- 5** Assemble the Set of Slats (D) & Trundle Support Rail (C) to the Trundle Front Panel (A) & Trundle Rear Panel (B).



- 6** Fit the Handle (5) to the Trundle Front Panel (A).

