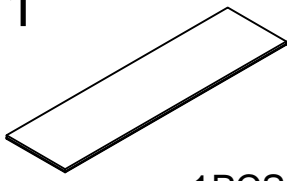
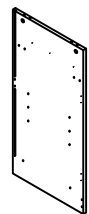
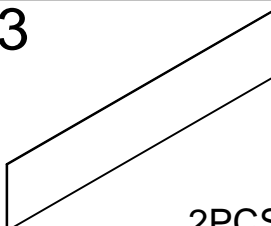
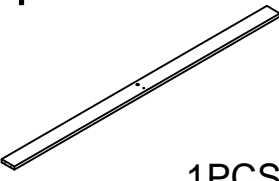
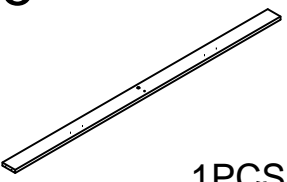
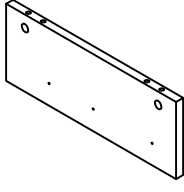
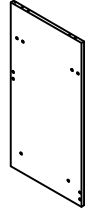
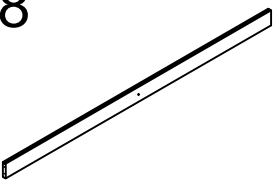
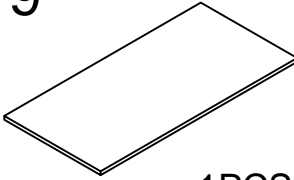
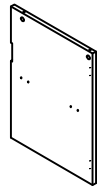
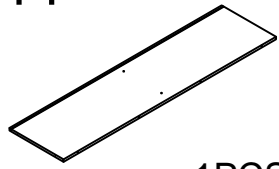
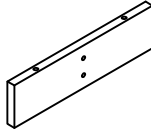
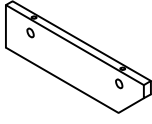
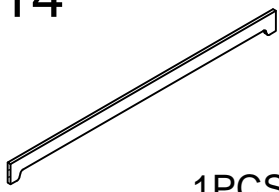
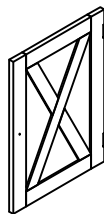
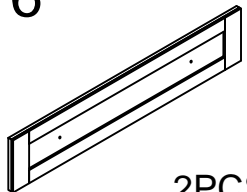
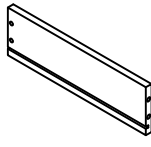
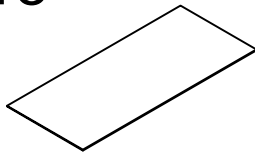
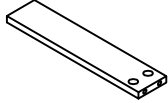
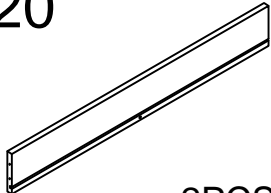
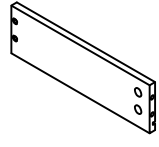
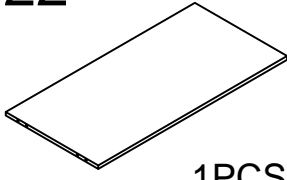

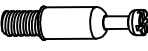



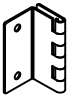





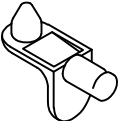
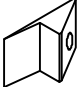

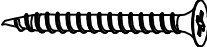







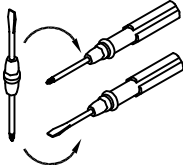




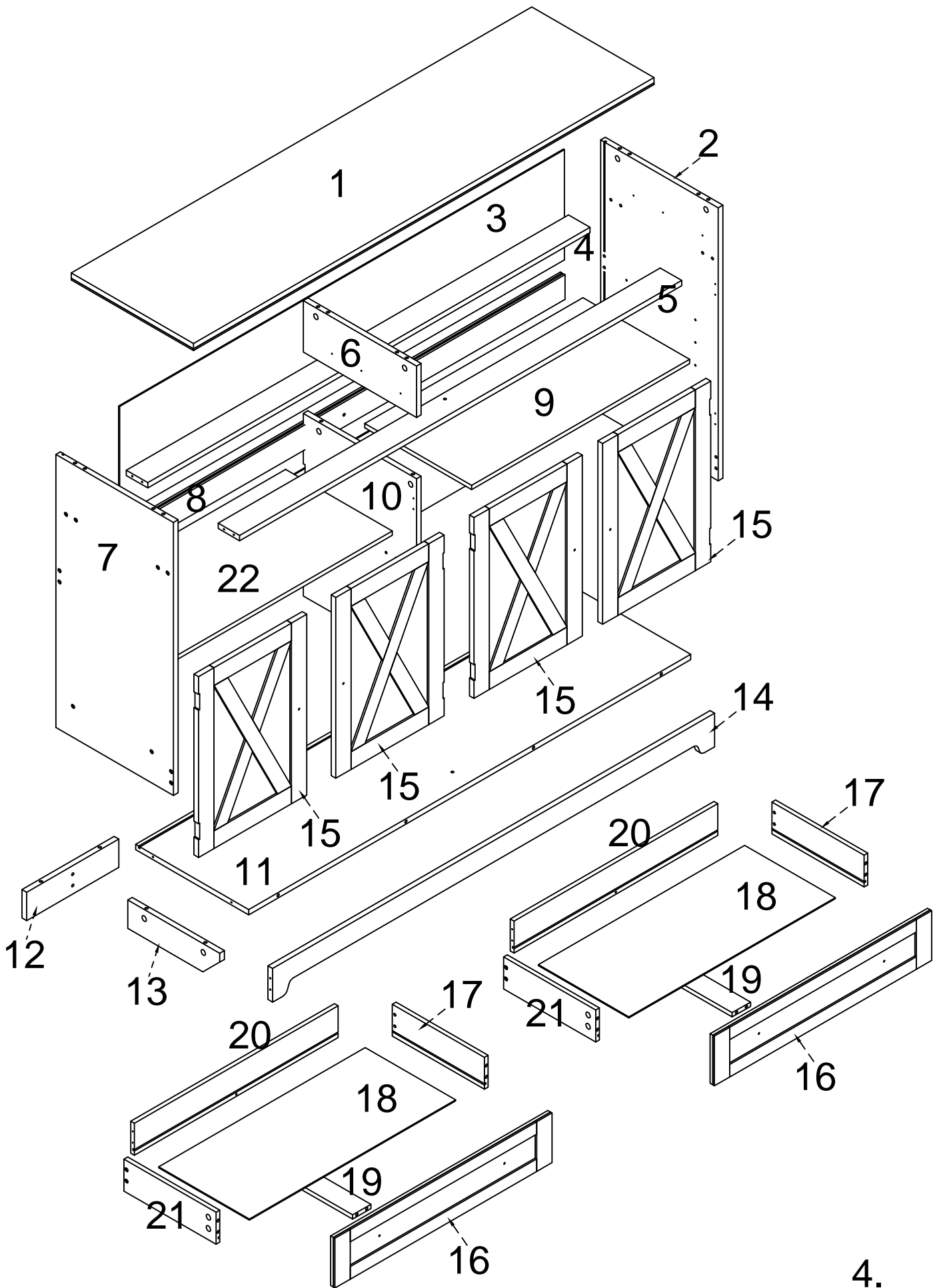


HARDWARE LIST

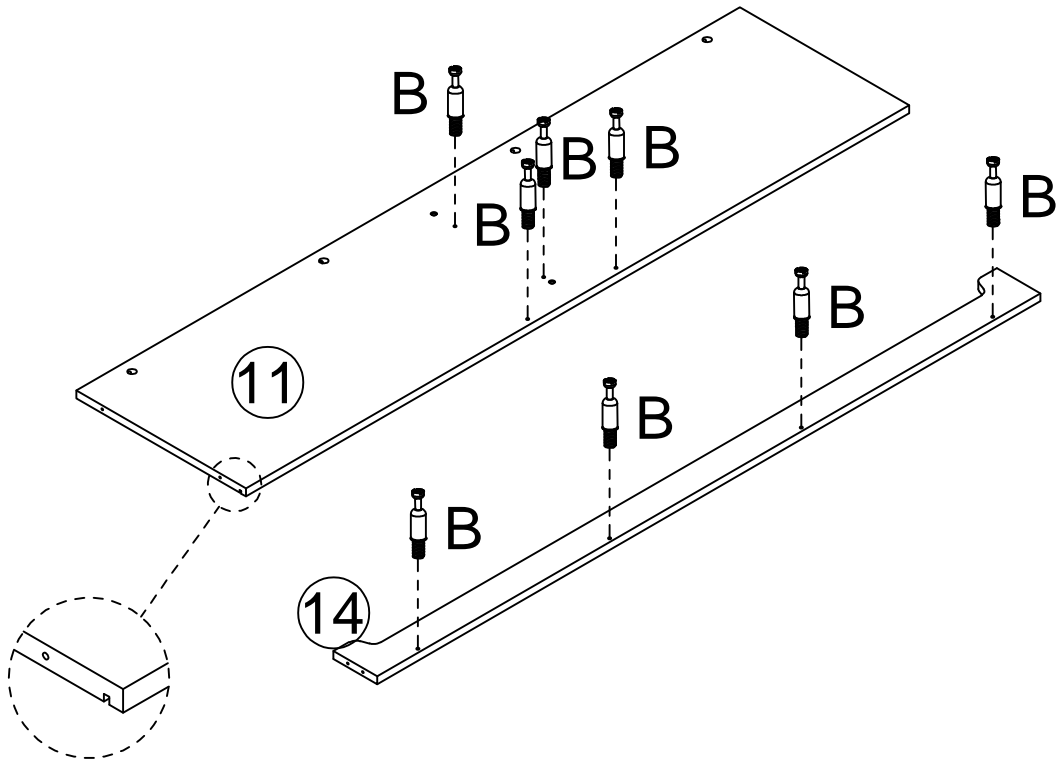
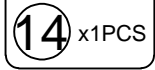
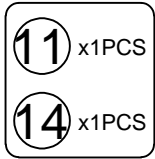
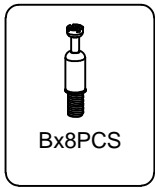
<p>1</p>  <p>1PCS</p>	<p>2</p>  <p>1PCS</p>	<p>3</p>  <p>2PCS</p>	<p>4</p>  <p>1PCS</p>
<p>5</p>  <p>1PCS</p>	<p>6</p>  <p>1PCS</p>	<p>7</p>  <p>1PCS</p>	<p>8</p>  <p>1PCS</p>
<p>9</p>  <p>1PCS</p>	<p>10</p>  <p>1PCS</p>	<p>11</p>  <p>1PCS</p>	<p>12</p>  <p>1PCS</p>
<p>13</p>  <p>1PCS</p>	<p>14</p>  <p>1PCS</p>	<p>15</p>  <p>4PCS</p>	<p>16</p>  <p>2PCS</p>
<p>17</p>  <p>2PCS</p>	<p>18</p>  <p>2PCS</p>	<p>19</p>  <p>2PCS</p>	<p>20</p>  <p>2PCS</p>
<p>21</p>  <p>2PCS</p>	<p>22</p>  <p>1PCS</p>		

PARTA LIST

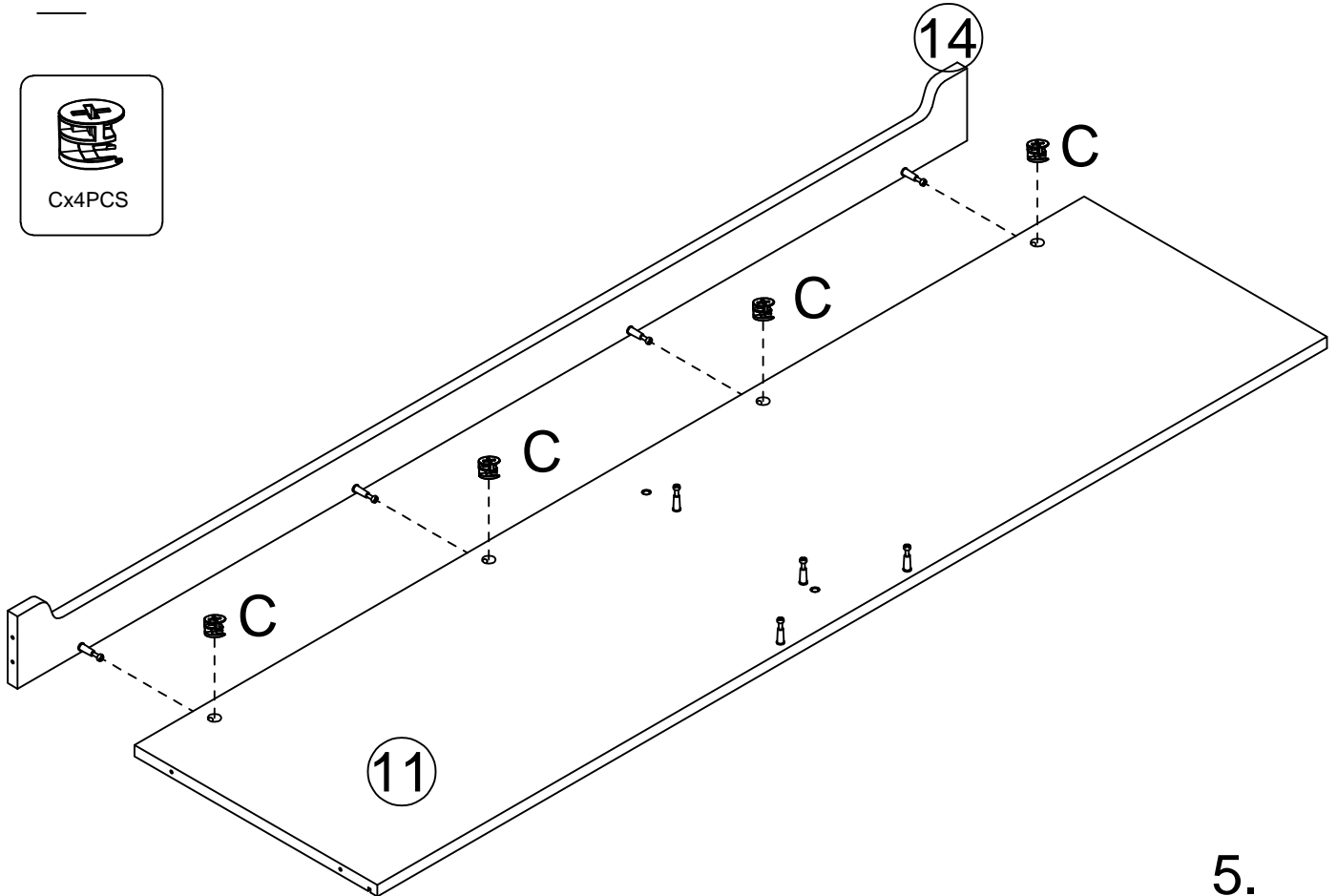
<p>A</p>  <p>M5*45mm 27+2PCS</p>	<p>B</p>  <p>M6*32mm 32+2PCS</p>	<p>C</p>  <p>32+2PCS</p>	<p>D</p>  <p>ø8*30mm 10+1PCS</p>
<p>E</p>  <p>M3.5*12mm 28+2PCS</p>	<p>F</p>  <p>8PCS</p>	<p>G1  2PCS G2  4PCS G3  M3*14mm 4PCS</p>	<p>H1  8PCS H2  M4*18mm 8PCS</p>
<p>I</p>  <p>4+1PCS</p>	<p>J1  16PCS J2  M3*16mm 16PCS</p>	<p>K</p>  <p>ø4*35mm 10+1PCS</p>	<p>L1  2PCS L2  M4*12mm 2PCS L3  M4*35mm 2PCS L4  2PCS</p>
<p>N</p>  <p>M3.0*12mm 32+2PCS</p>	<p>M</p>  <p>20+2PCS</p>	<p>M4</p>  <p>1PCS</p>	 <p>1SETS</p>
<p>CL  2PCS CR  2PCS DL  2PCS DR  2PCS L:300mm</p>			



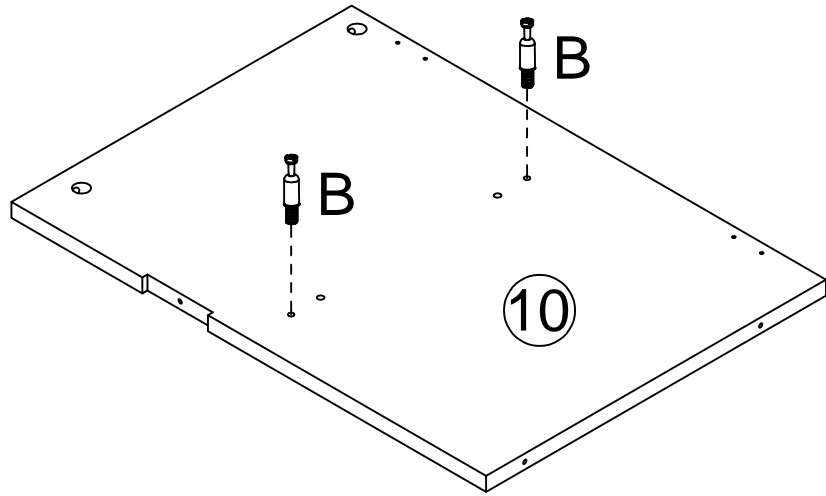
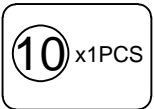
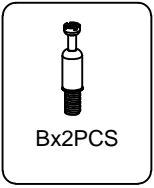
1



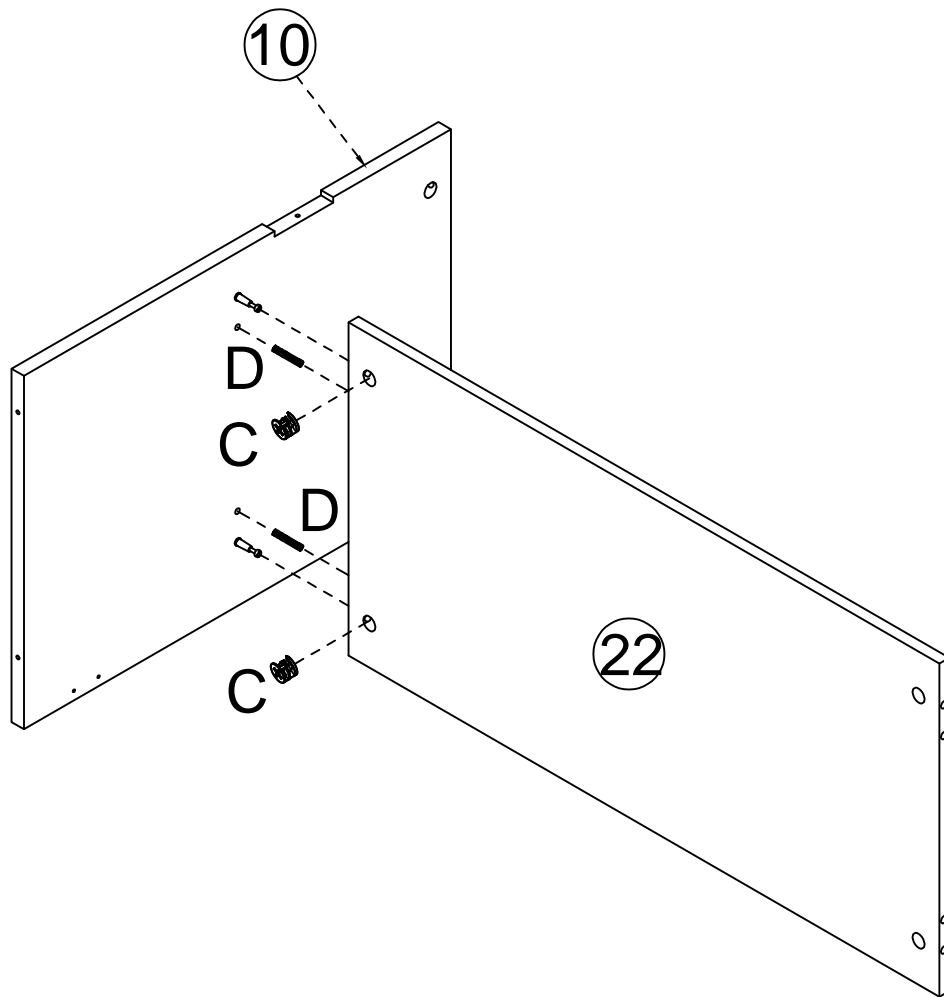
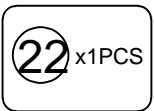
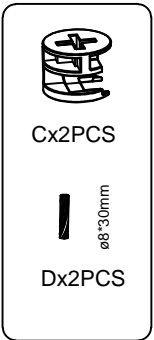
2



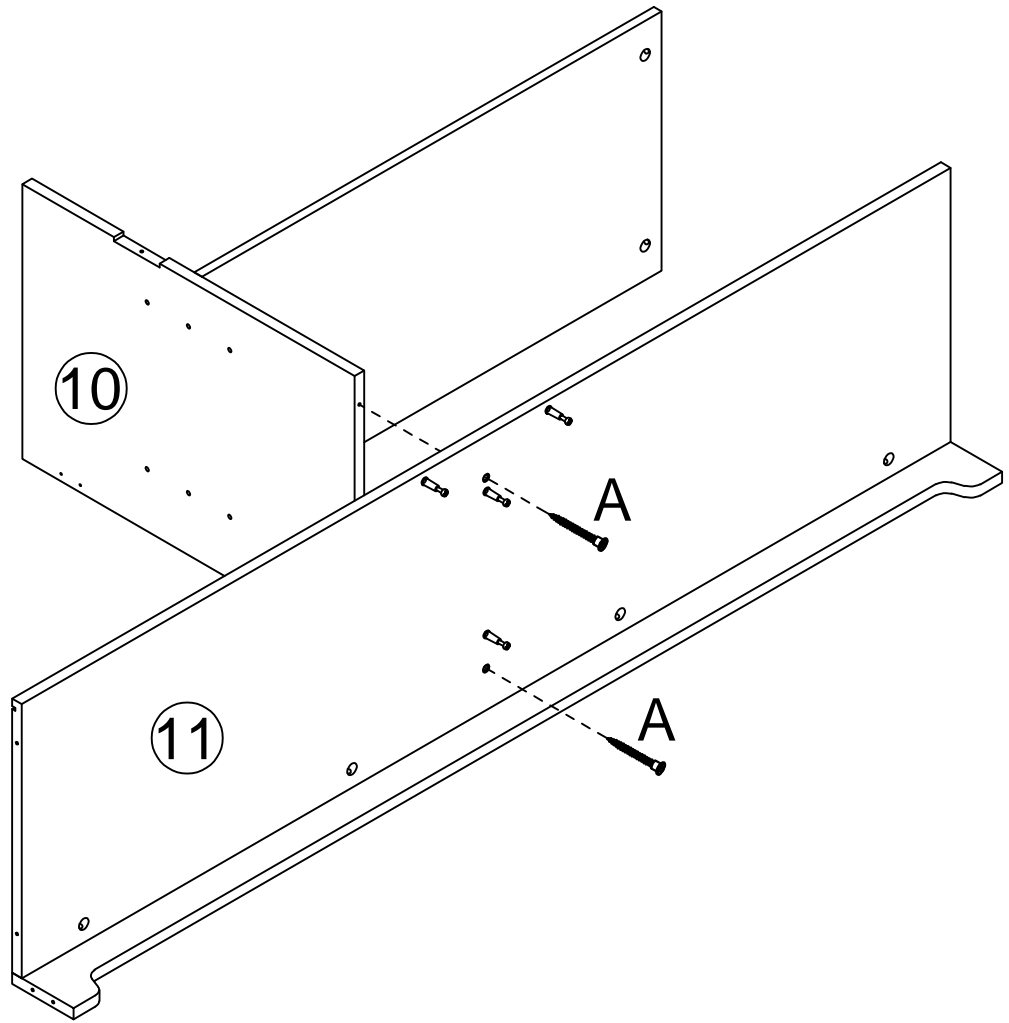
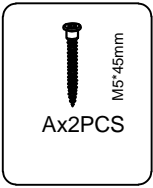
3



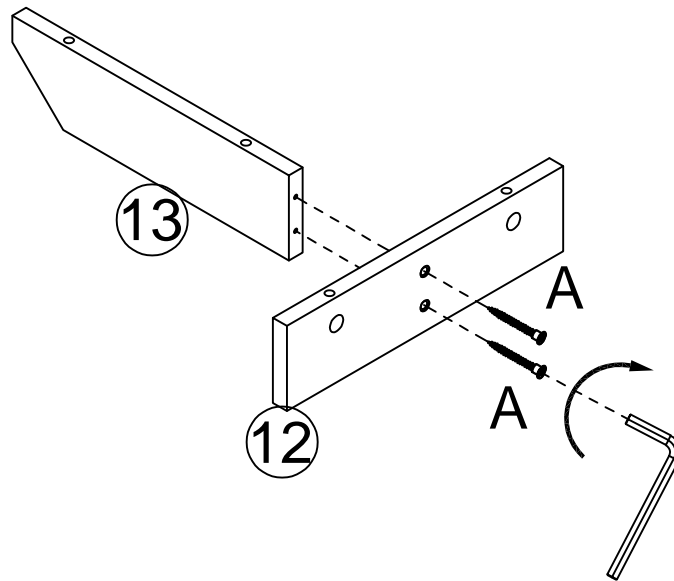
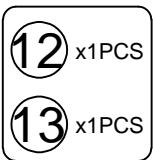
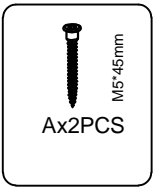
4



5

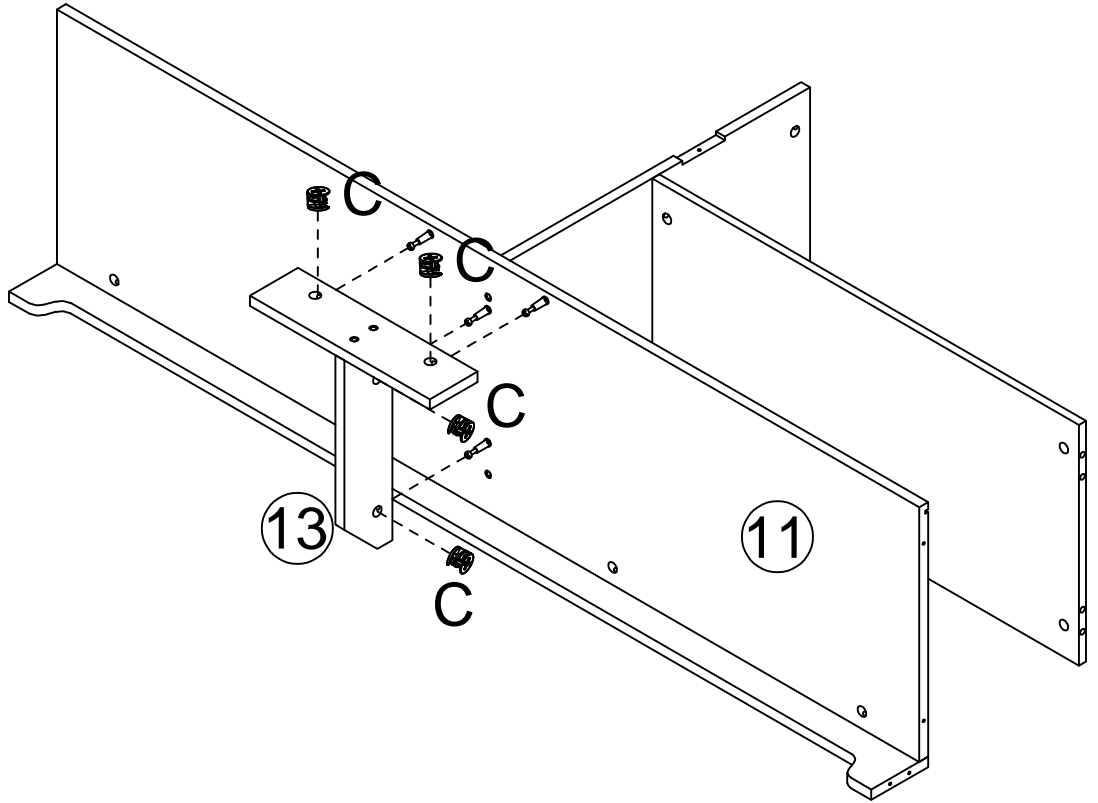


6

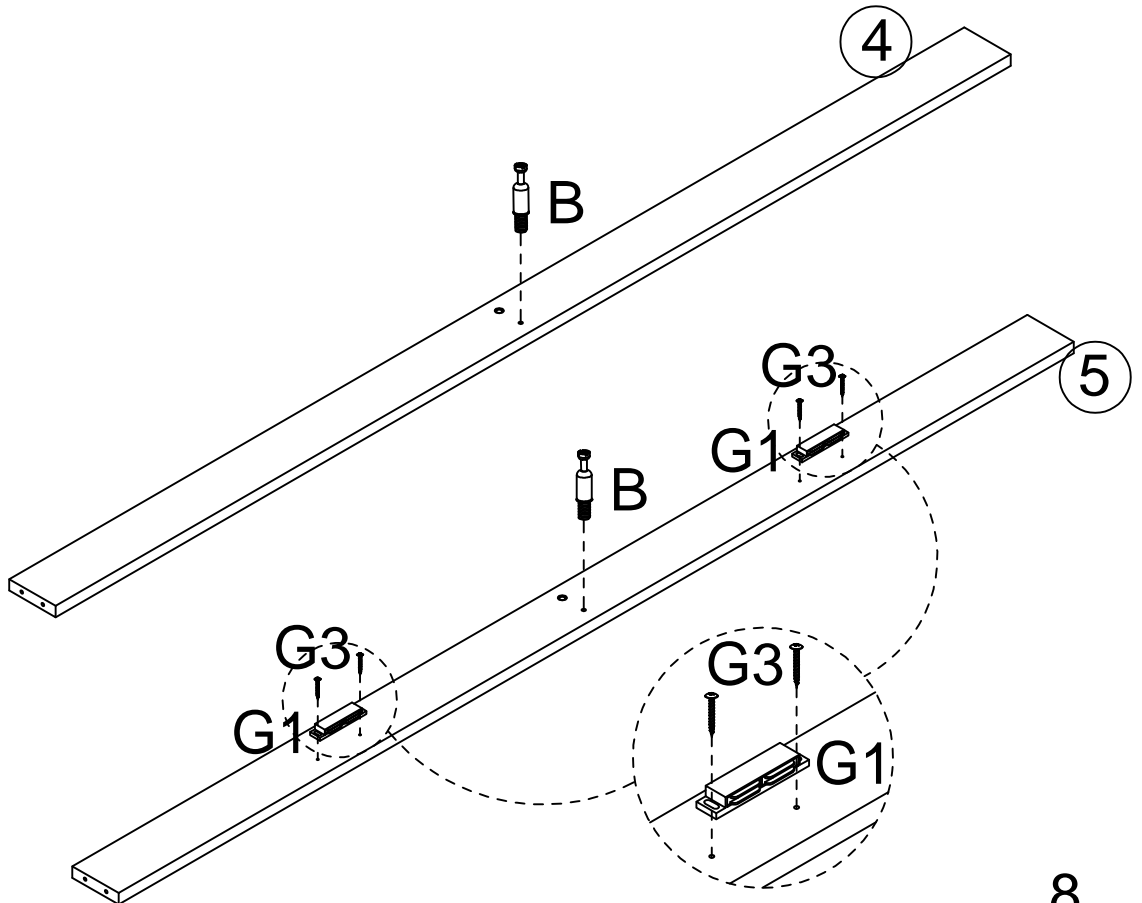
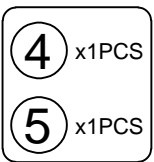
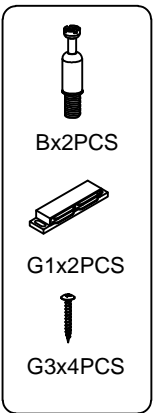


7.

7

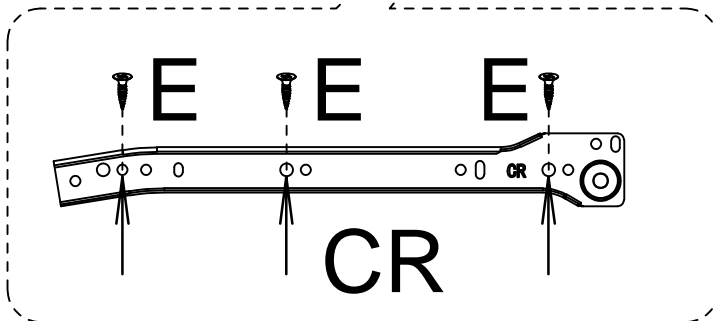
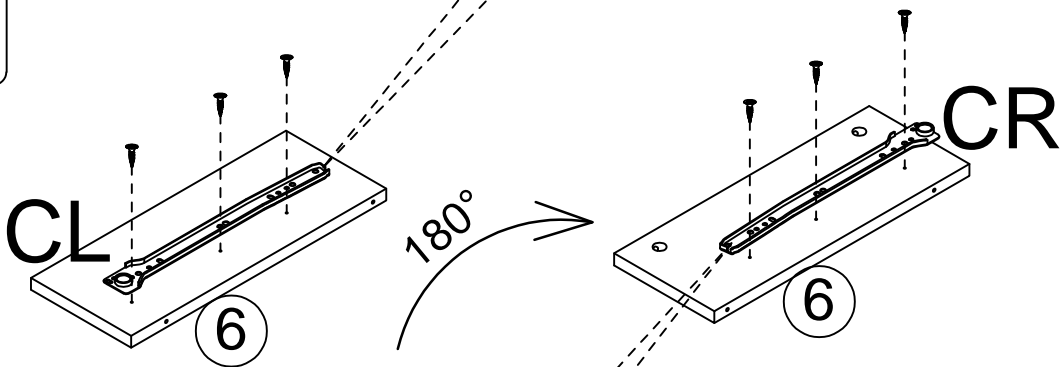
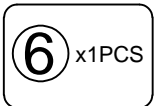
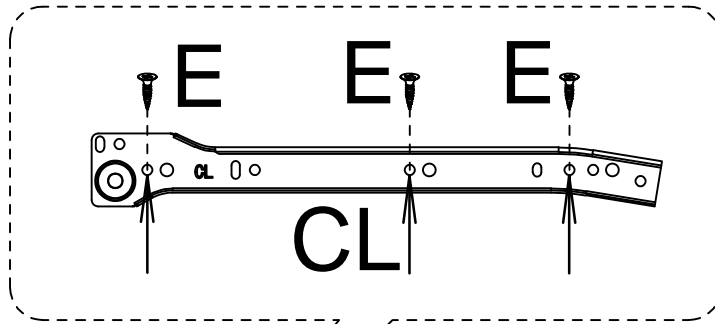
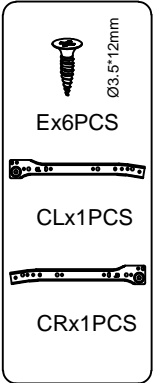


8

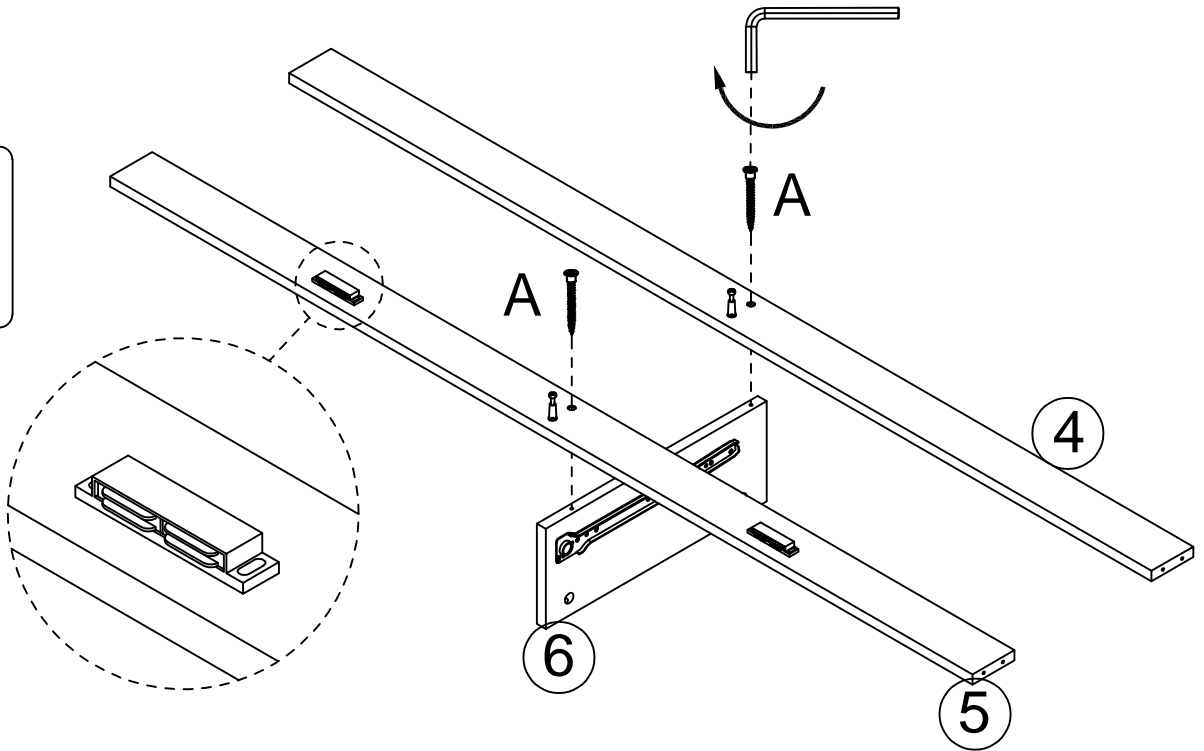
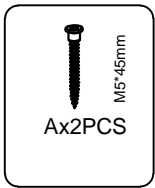


9

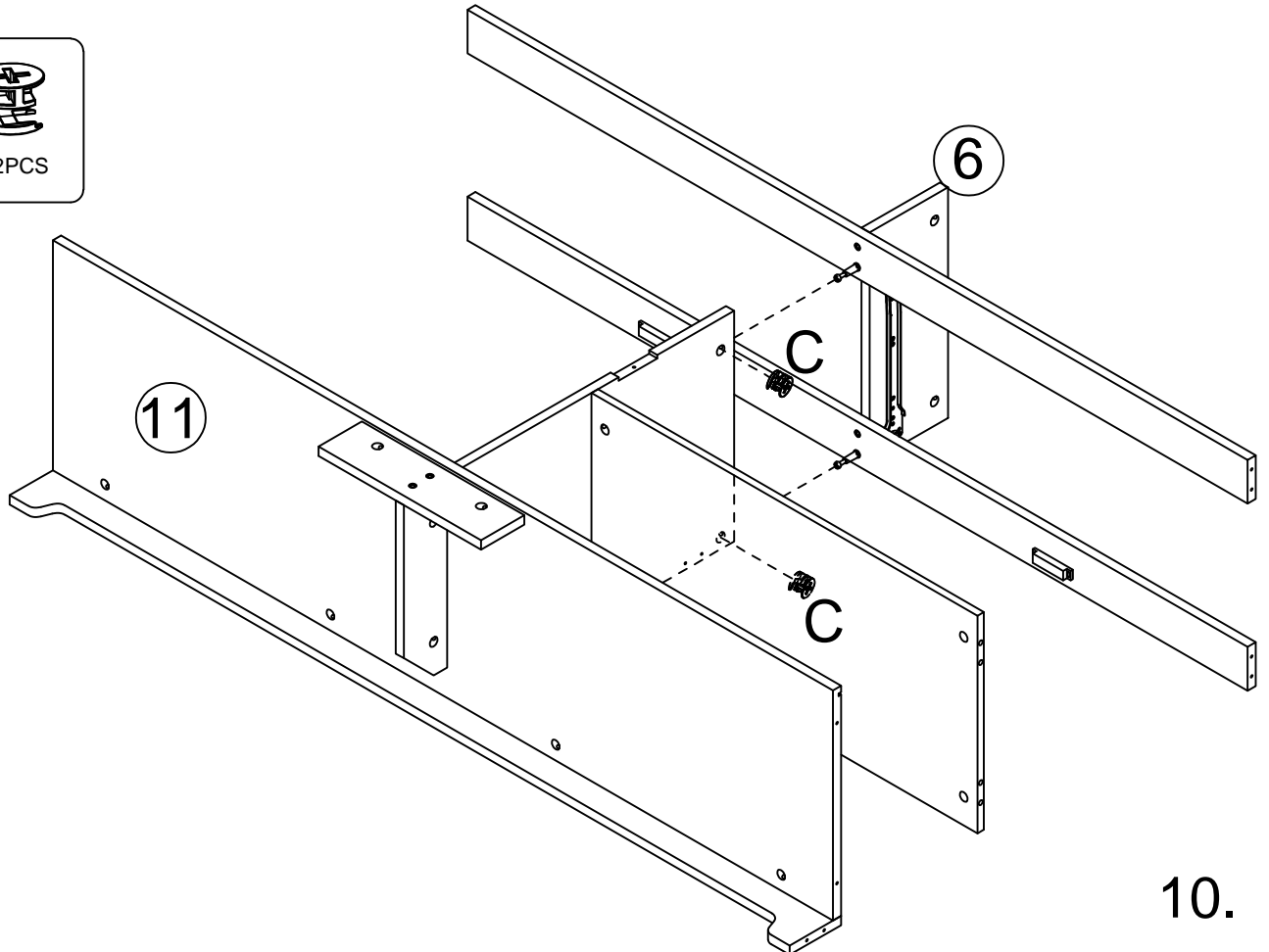
Important reminder: Please assemble the E screw according to the hole indicated by the arrow



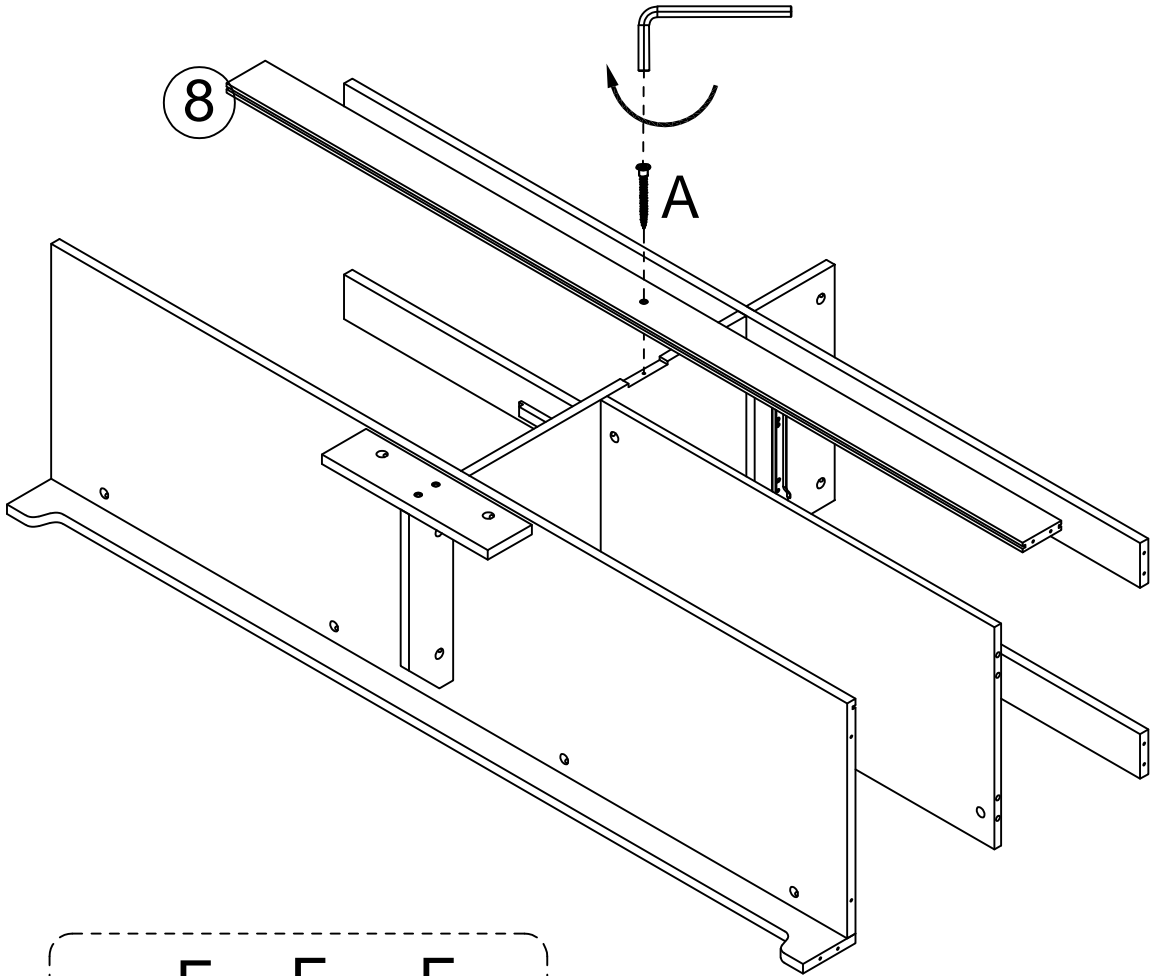
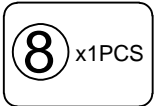
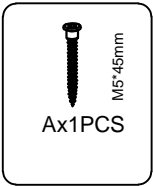
10



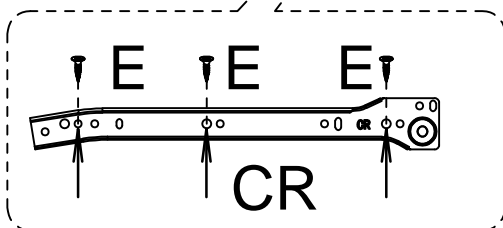
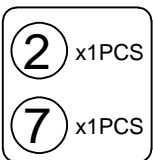
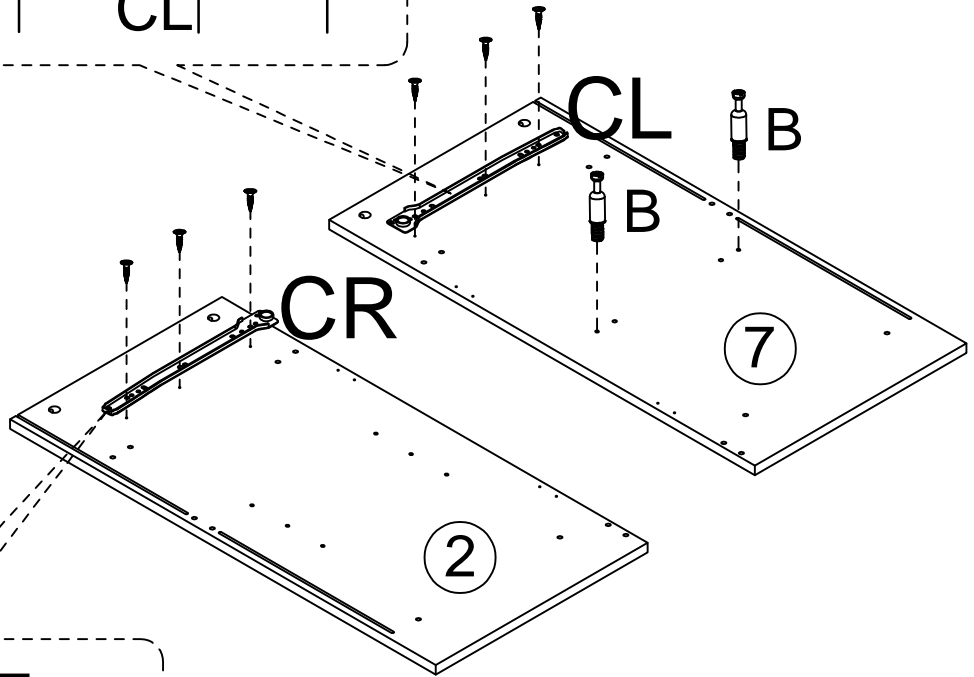
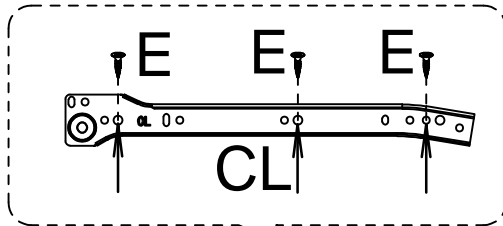
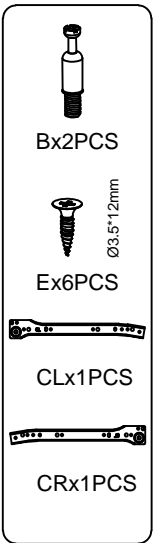
11



12



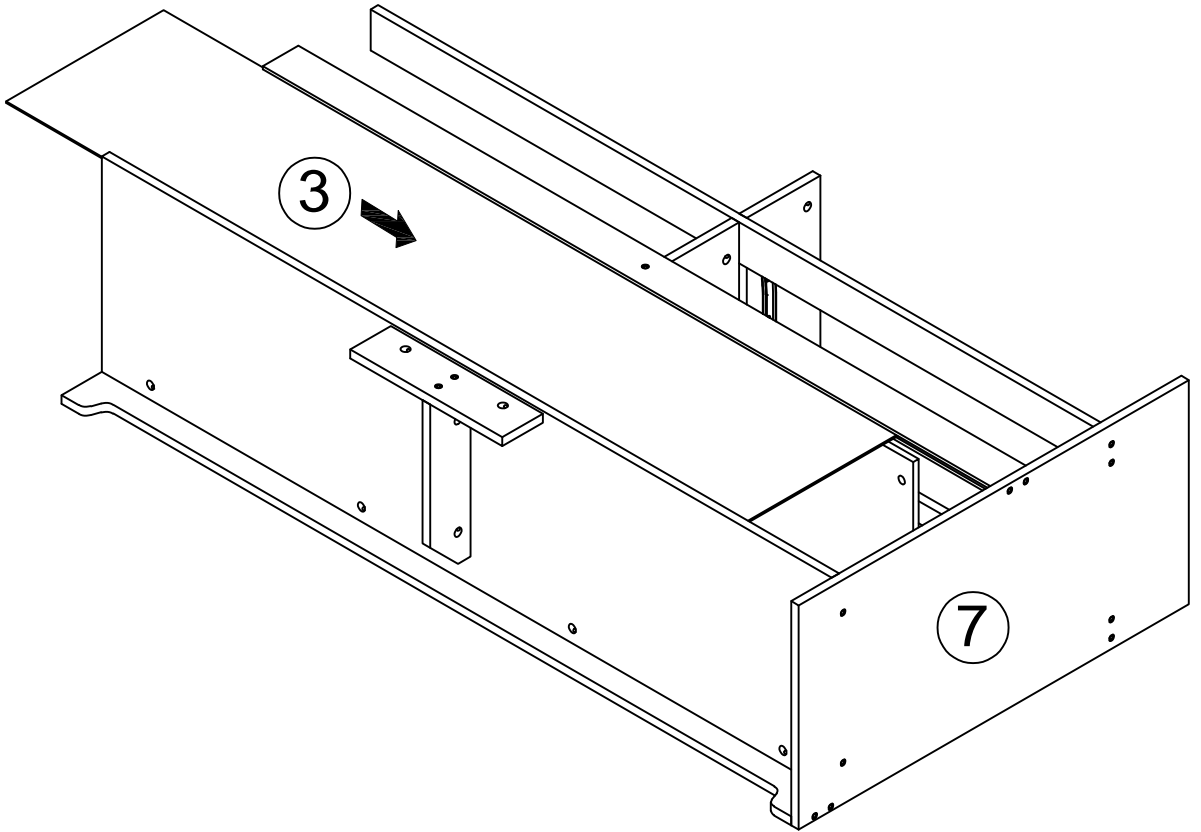
13




Important reminder: Please assemble the E screw according to the hole indicated by the arrow

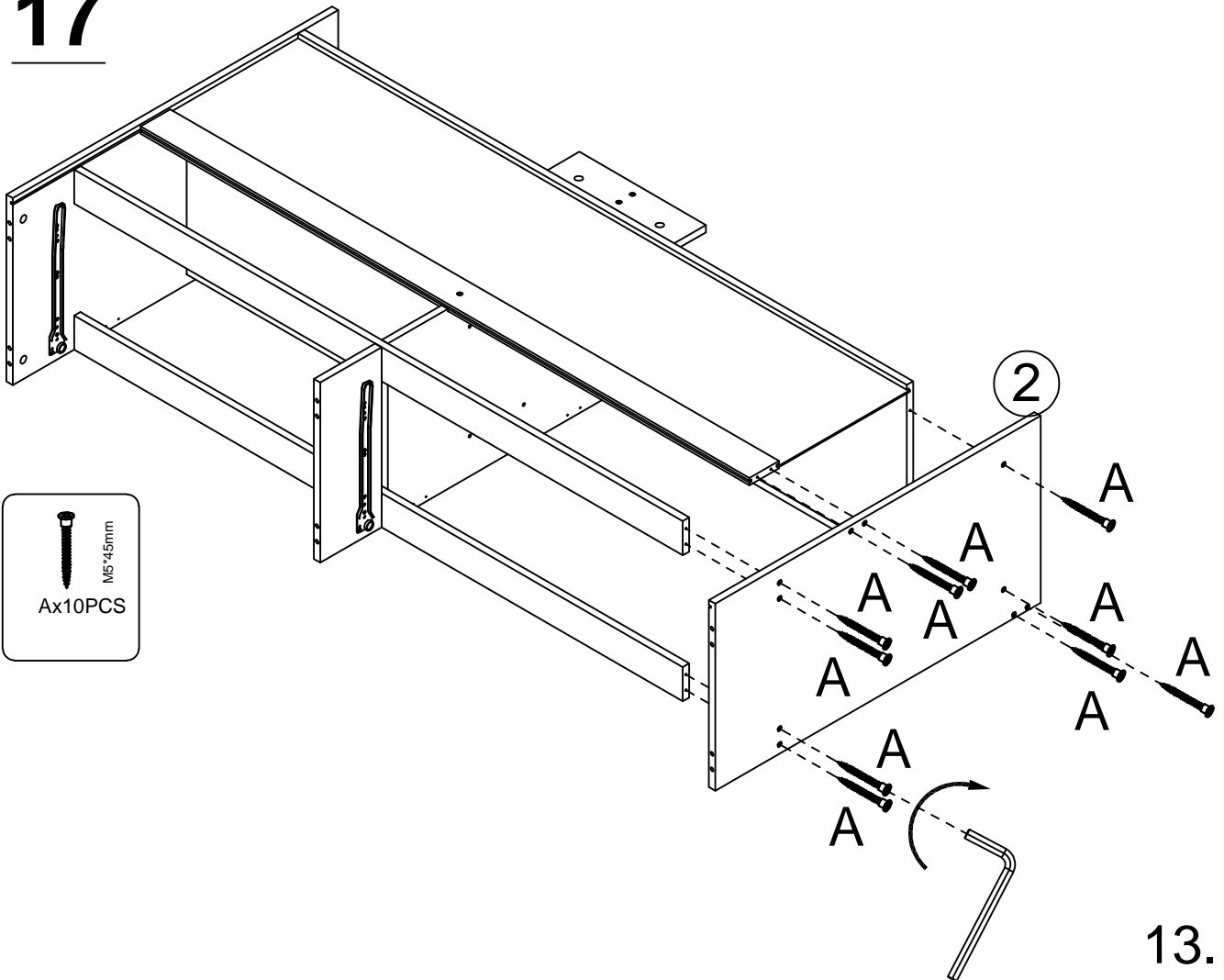
16

3 x1PCS



17

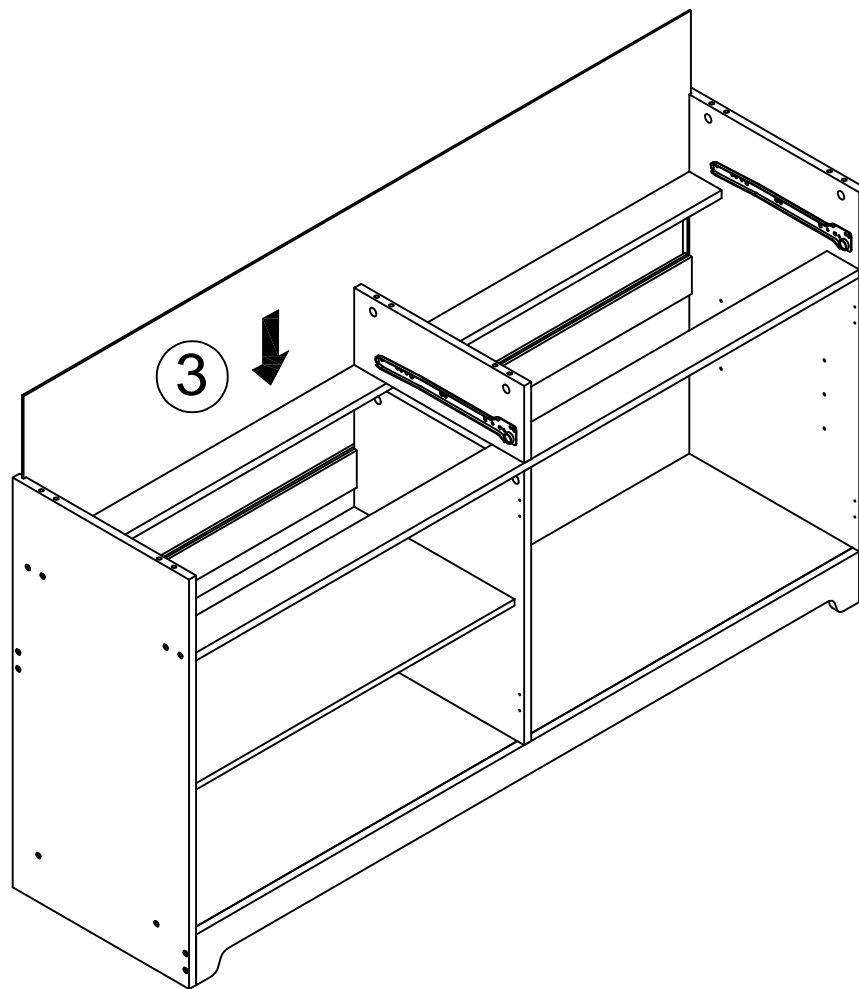

M5*45mm
Ax10PCS



13.

18

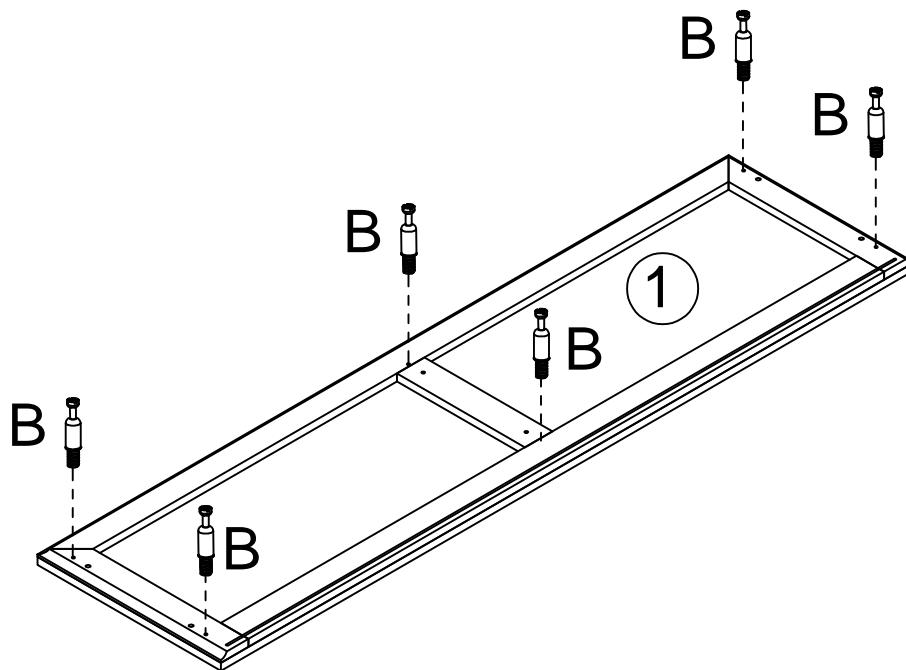
3 x1PCS



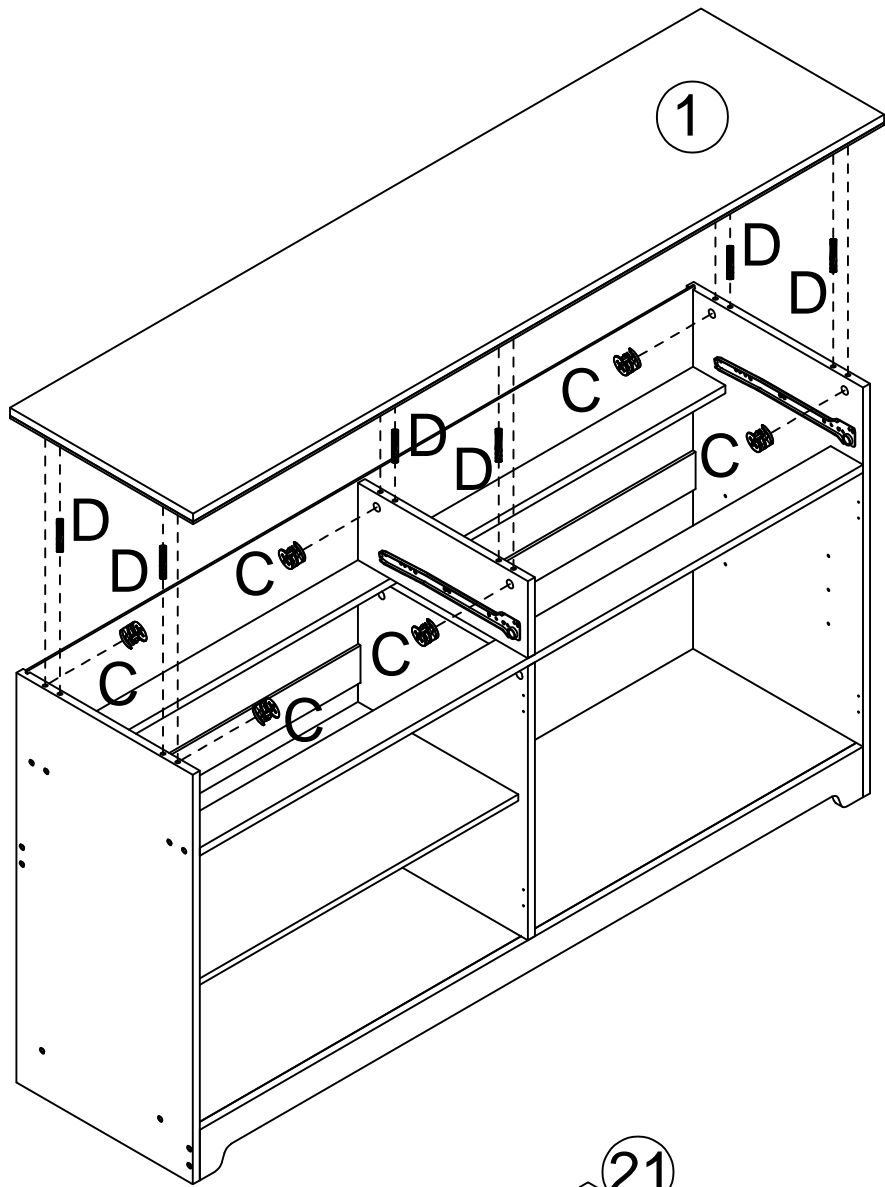
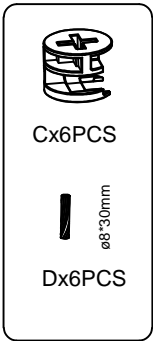
19

Bx6PCS

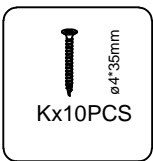
1 x1PCS



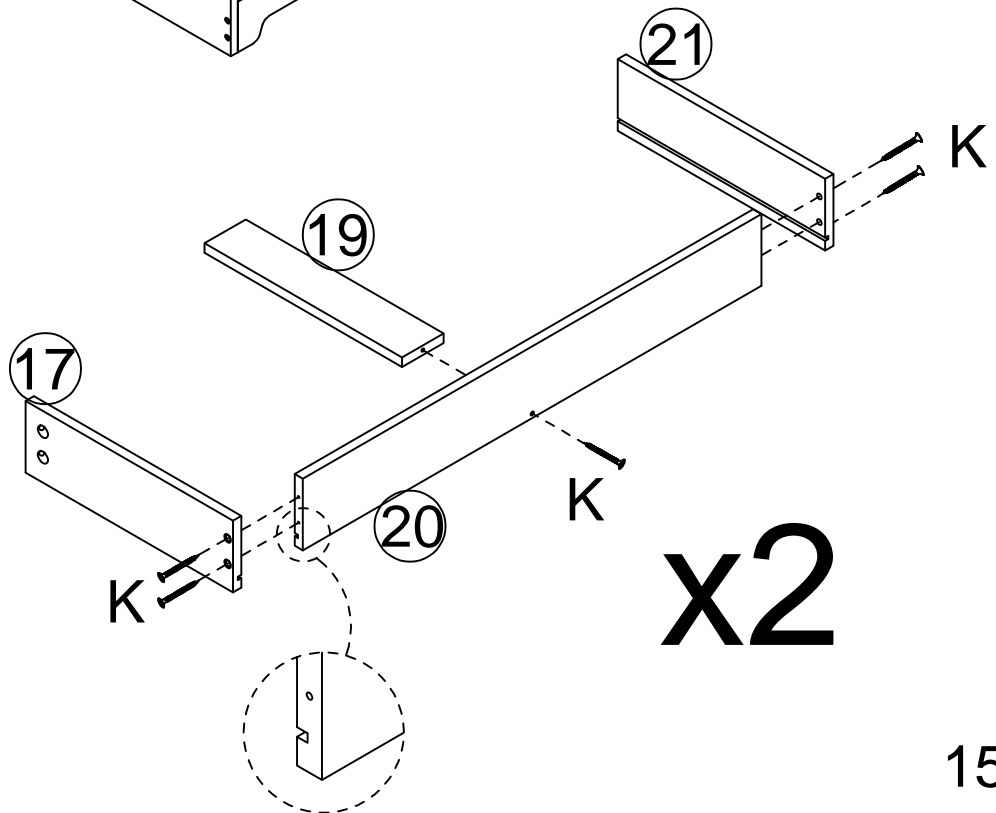
20



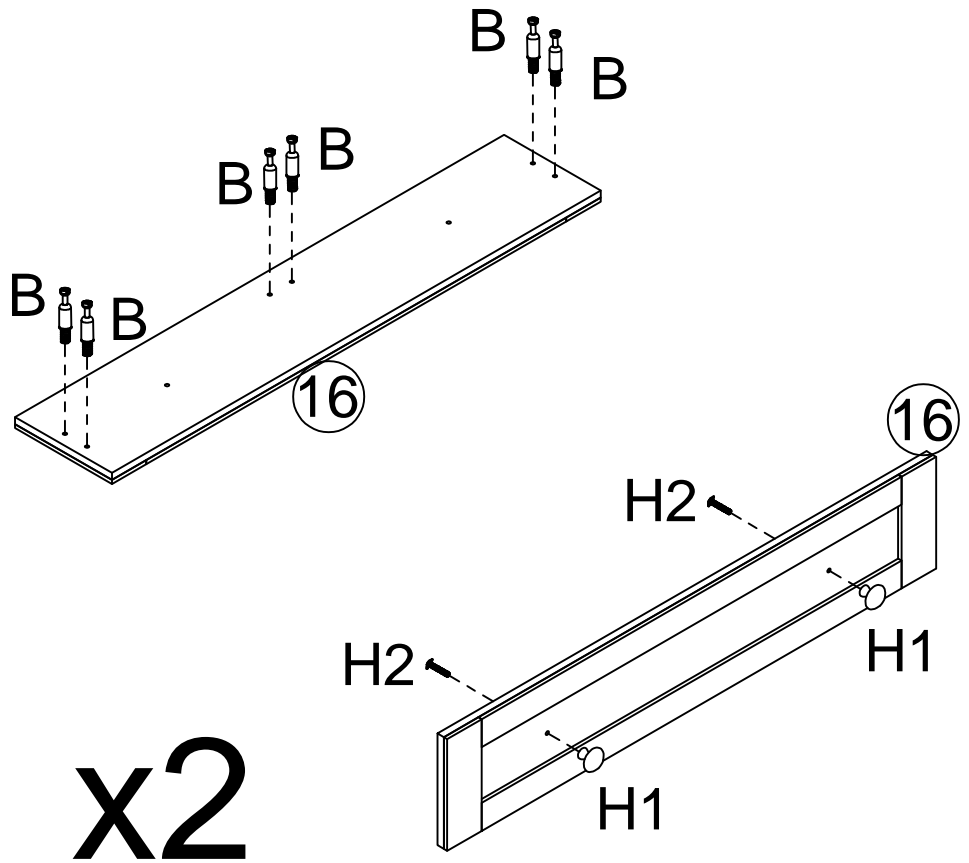
21



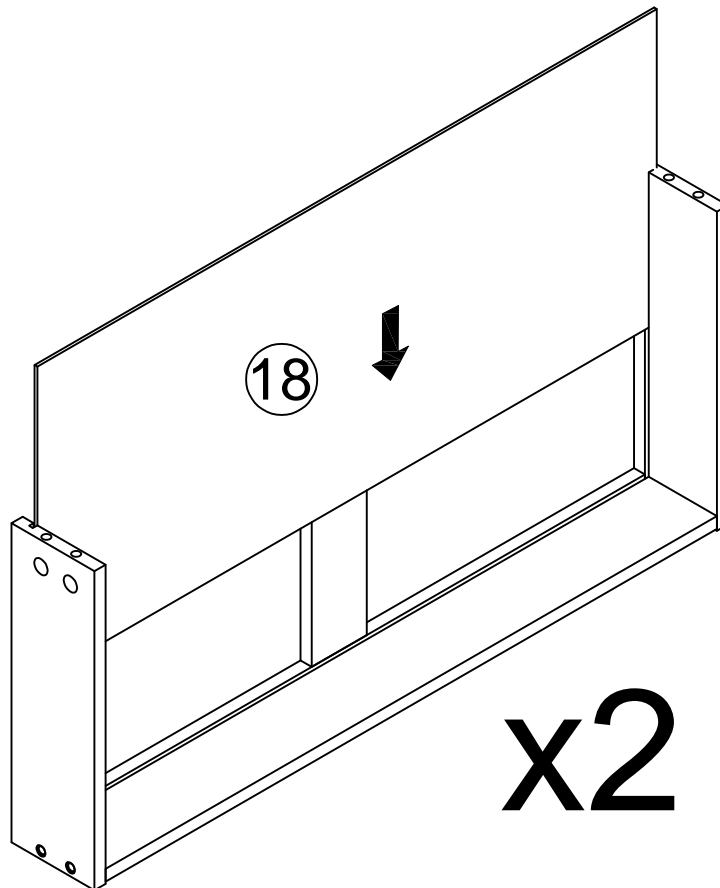
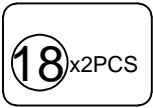
- 17 x2PCS
- 19 x2PCS
- 20 x2PCS
- 21 x2PCS



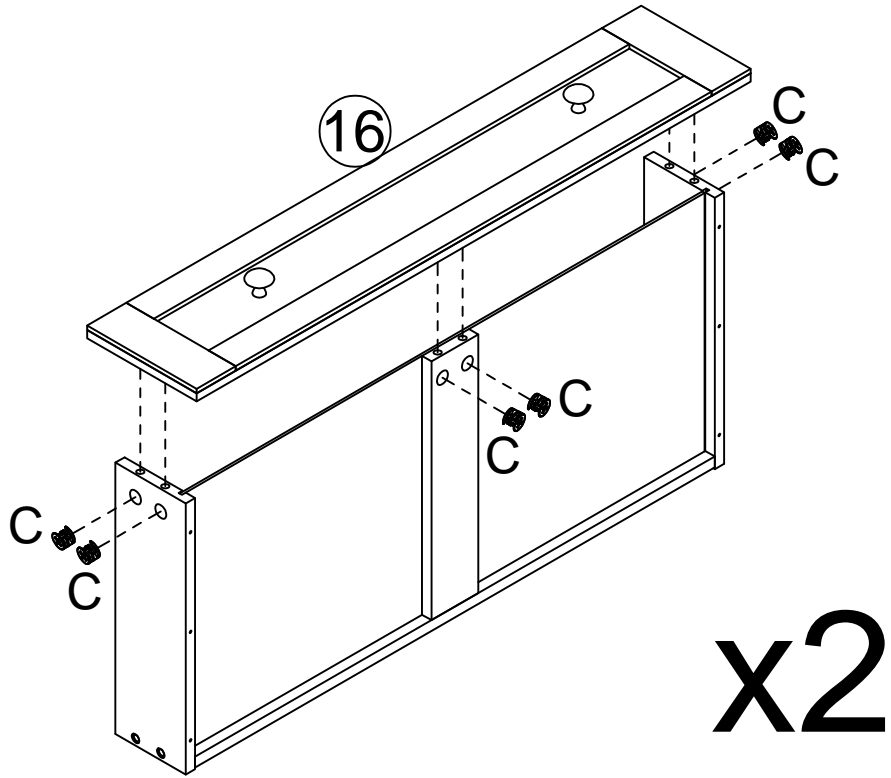
22



23

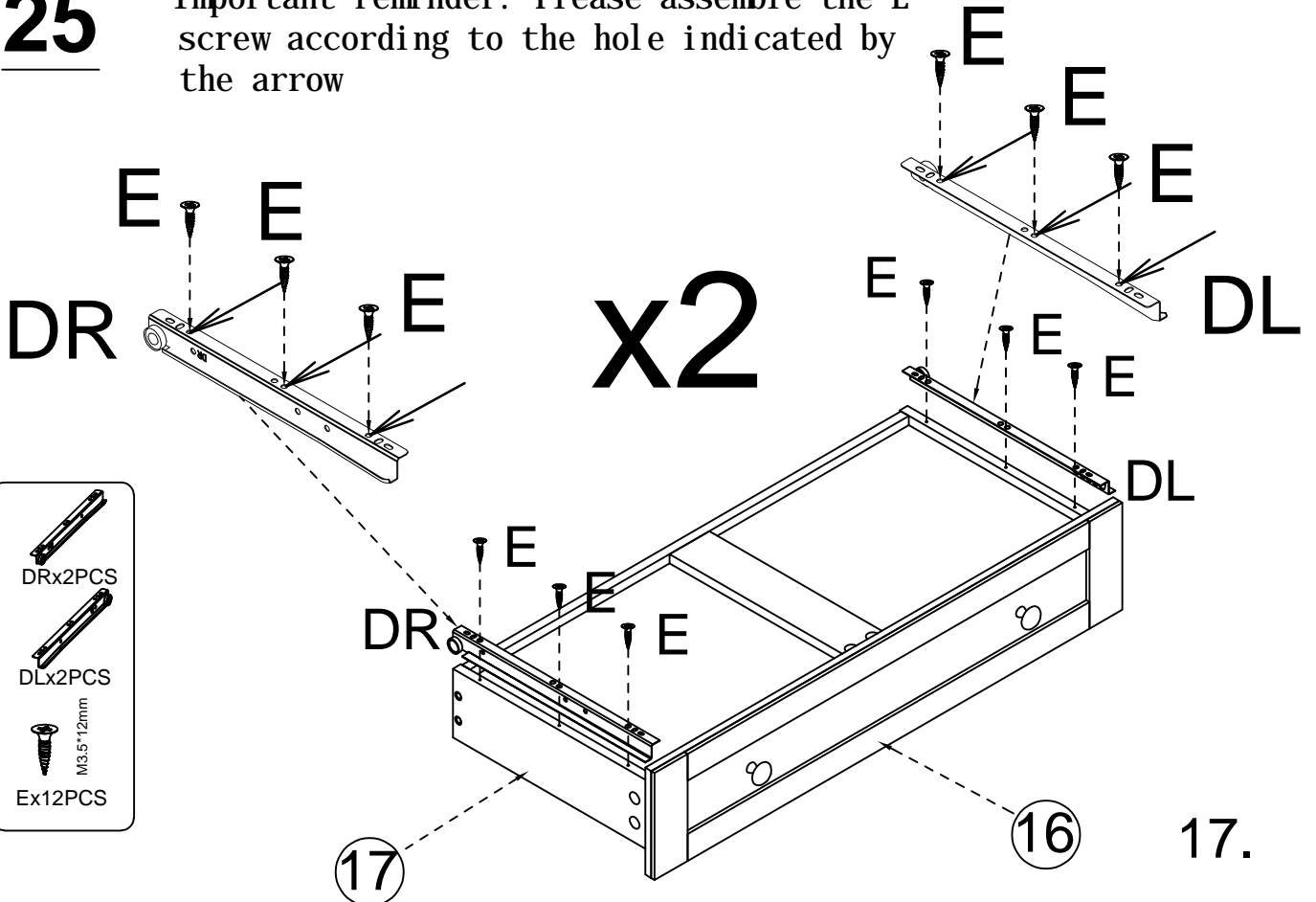


24

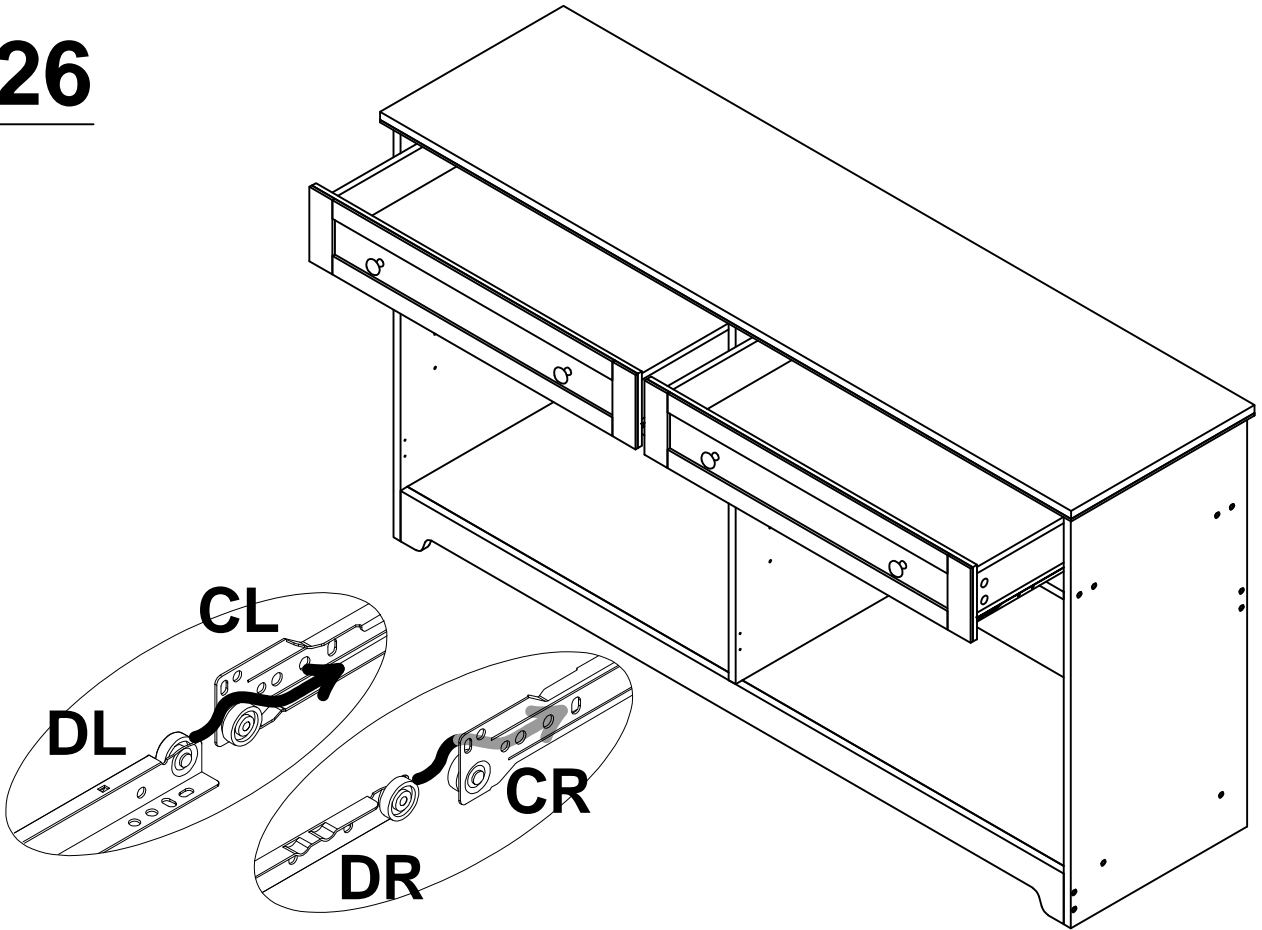


25

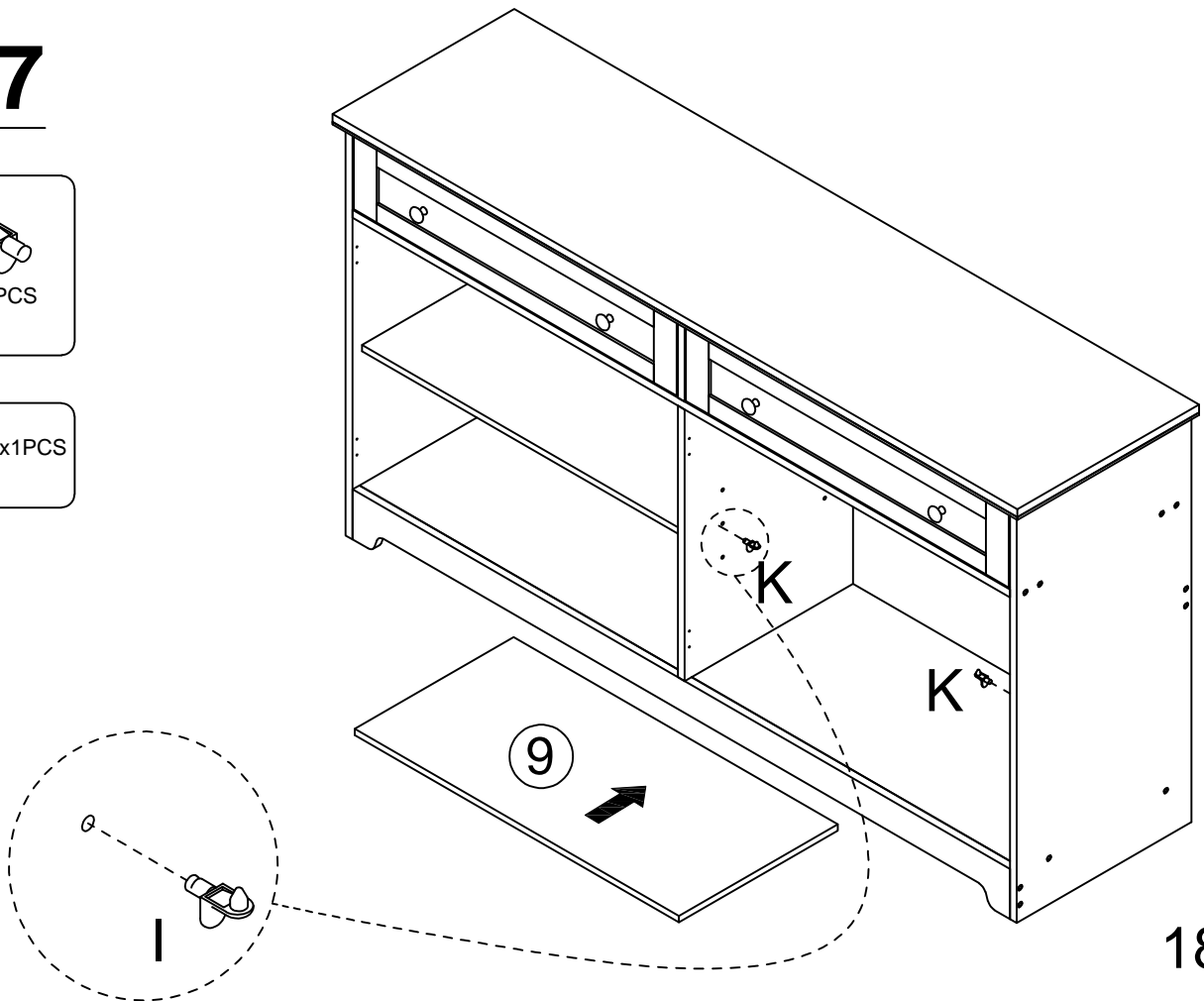
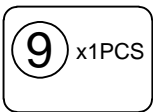
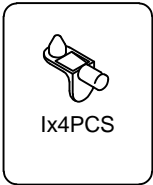
Important reminder: Please assemble the E screw according to the hole indicated by the arrow







26

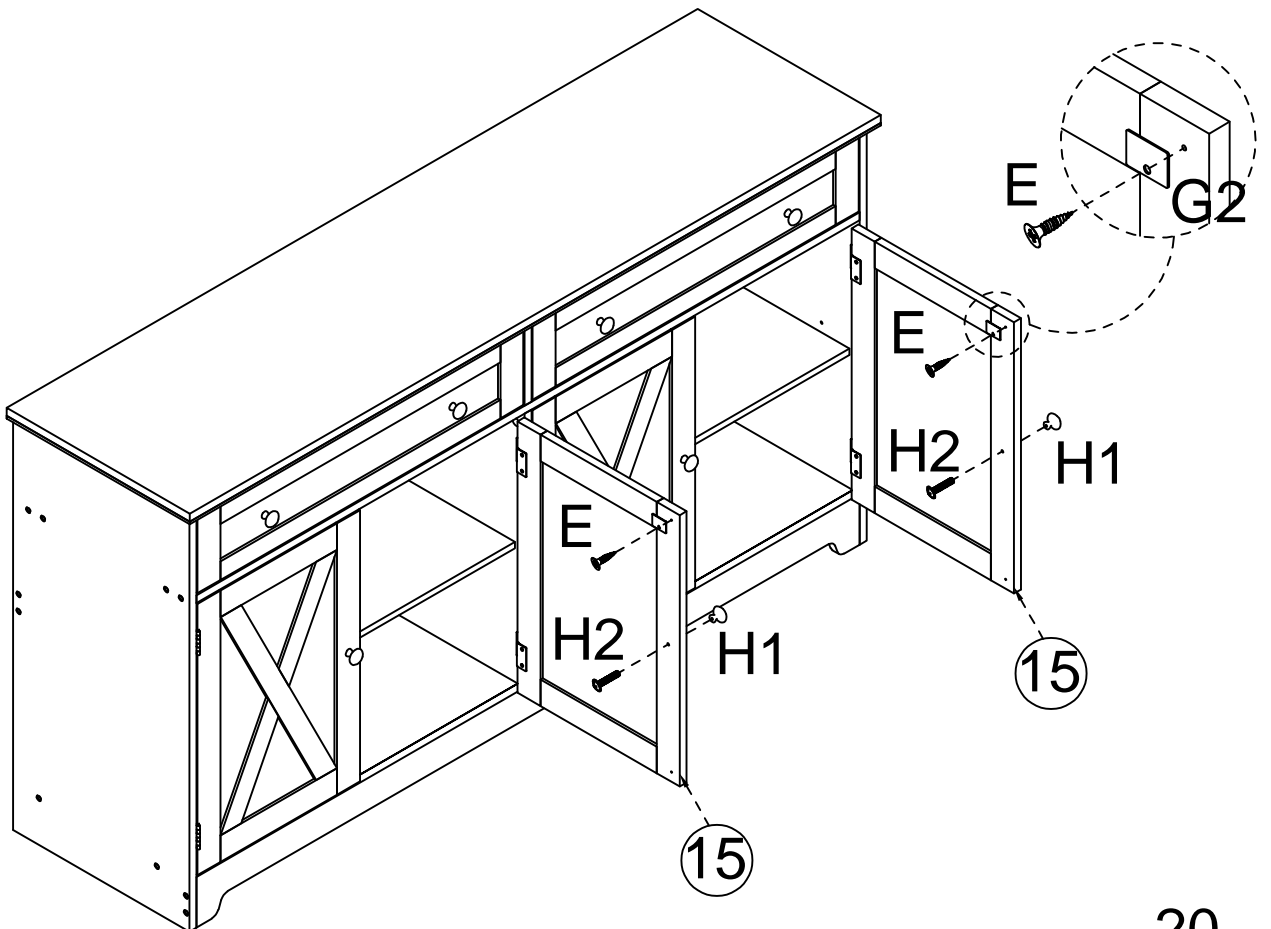
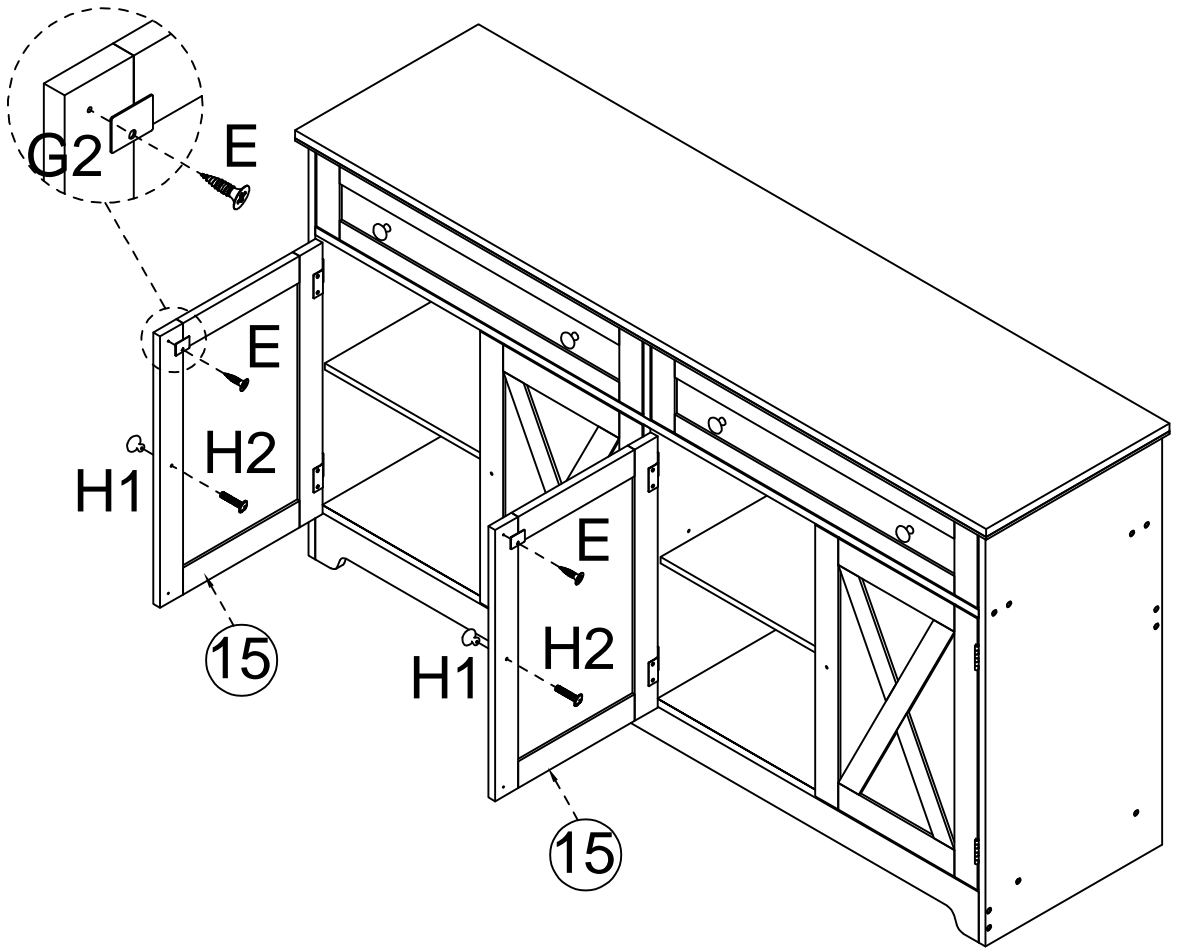


27




29


-  M3.5*12mm
Ex4PCS
-  G2x4PCS
-  H1x4PCS
-  M4*18mm
H2x4PCS

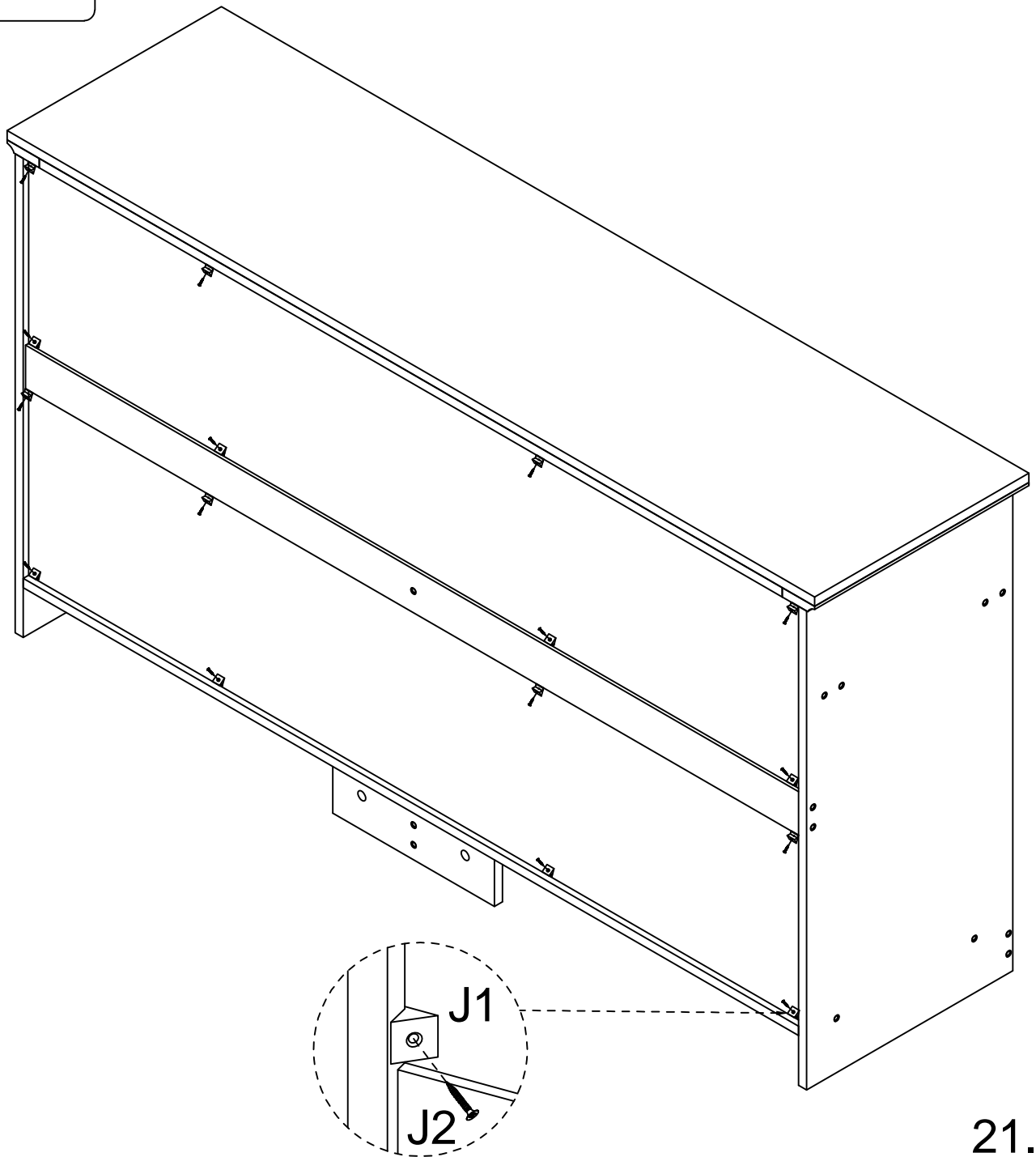


20.

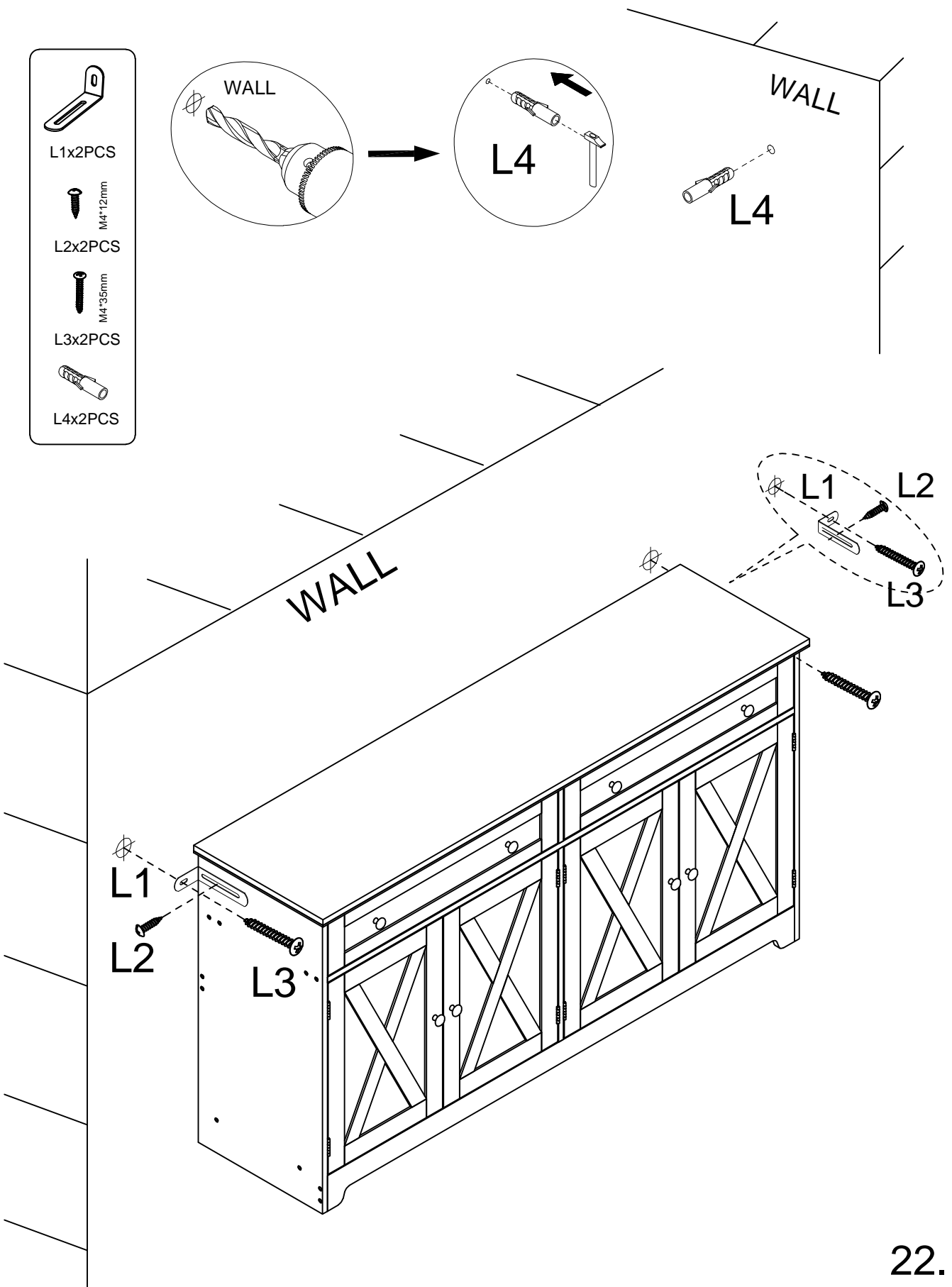
30


J1x16PCS


Ø3*16mm
J2x16PCS



31



32

