
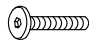


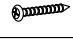

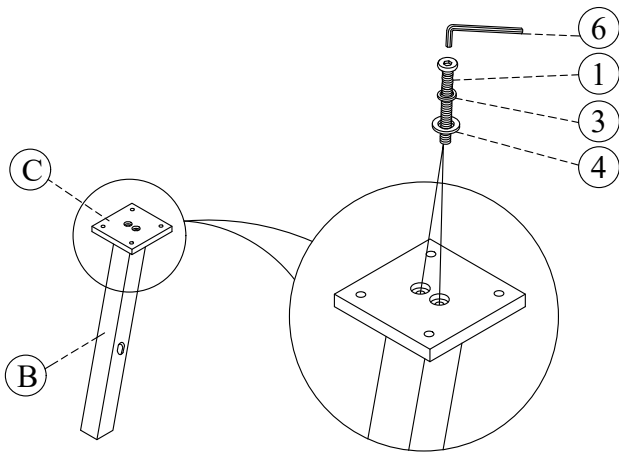


ASSEMBLY INSTRUCTIONS

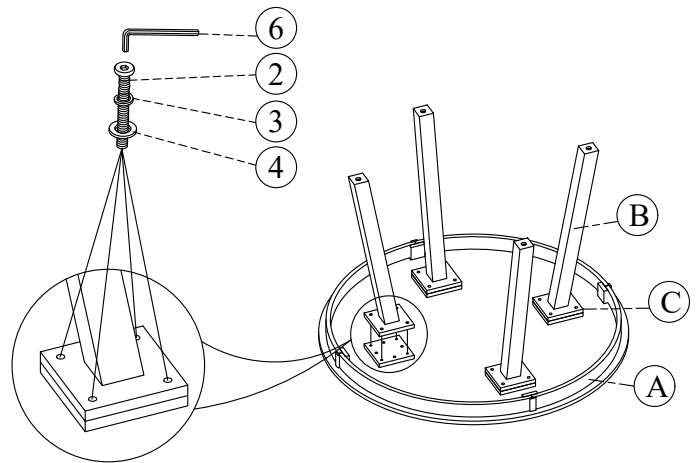
**KEEP THIS DOCUMENT FOR REFERENCE IN CASE PARTS ARE NEEDED
DO NOT TIGHTEN SCREWS UNTIL COMPLETELY ASSEMBLED !**

No.	DESCRIPTION	Q'TY	No.	DESCRIPTION	Q'TY
A	TABLE TOP	1pc	1	BOLT(5/16"x1-3/4") 	8pcs
B	TABLE LEG	4pcs	2	BOLT(5/16"x1-3/8") 	17pcs
C	TABLE BASE PANEL	4pcs	3	SPRING WASHER(5/16") 	25pcs
D	TABLE UP STRETCHER	1pc	4	METAL WASHER(5/16") 	25pcs
E	TABLE DOWN STRETCHER	1pc	5	WOOD SCREW(M4x38mm) 	4pcs
			6	ALLEN KEY 	1pc

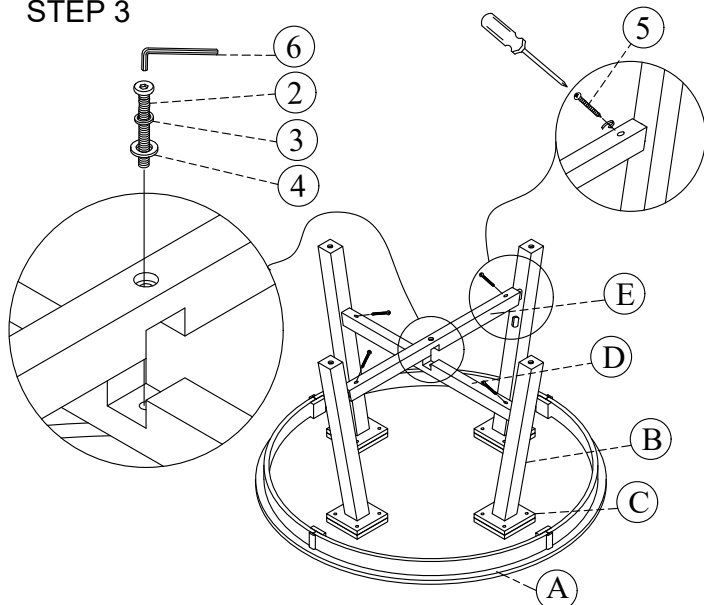
STEP 1



STEP 2



STEP 3



STEP 4

