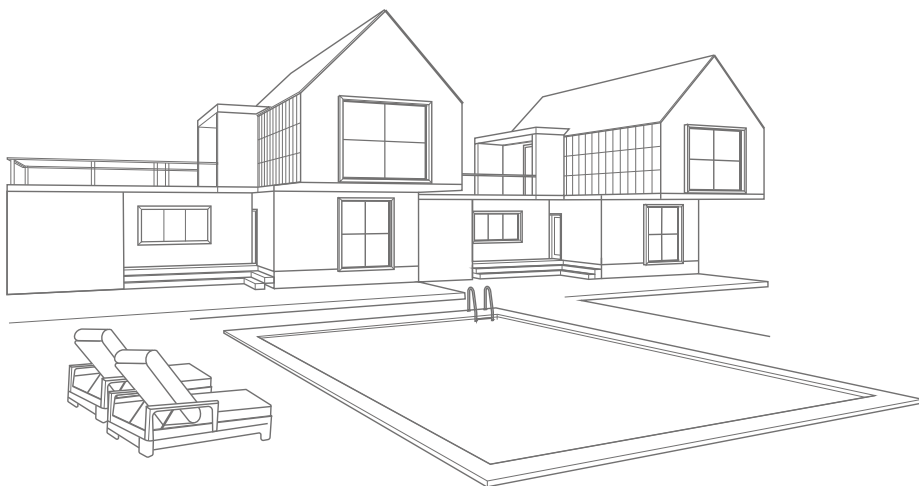


# side table

Product ID. 7AAOU

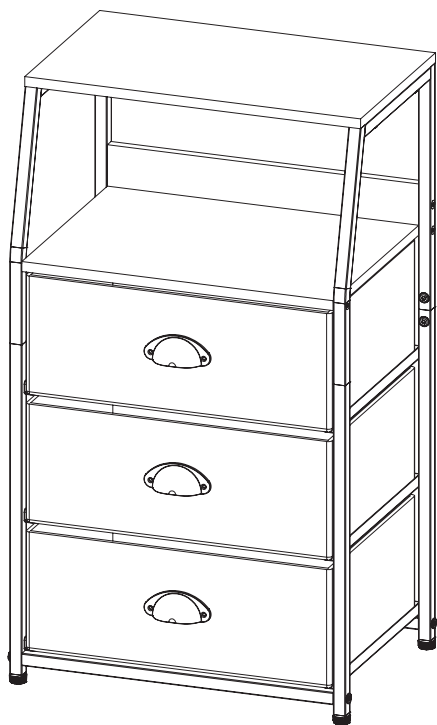


Scan for Support  
[support@garvee.com](mailto:support@garvee.com)

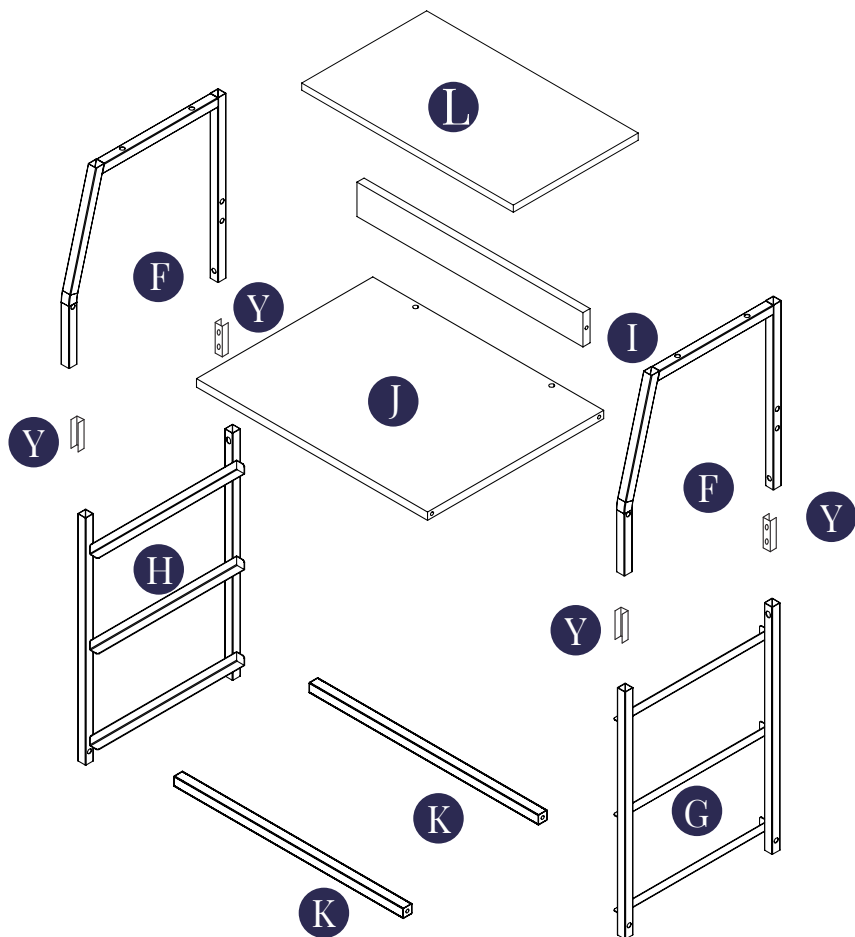


Distributed by  
**GARVEE**.com

V250923ZLXK



# Disassembly Diagram



# Accessories



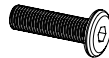
**A** 8PCS



**B** 4PCS



**C** 8PCS



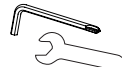
**D** 8PCS



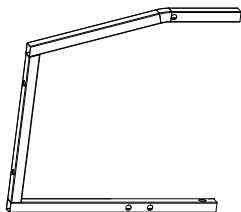
**E** 3PCS



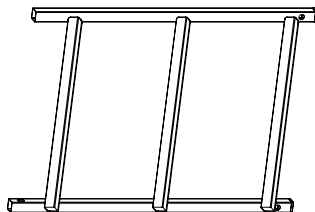
**Y** 4PCS



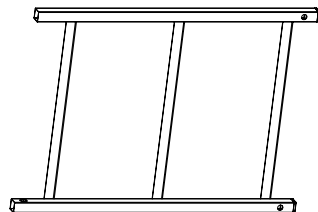
**Z** 1PC



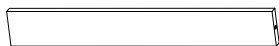
**F** 2PCS



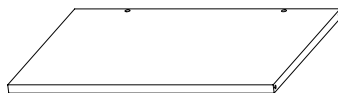
**G** 1PC



**H** 1PC



**I** 1PC



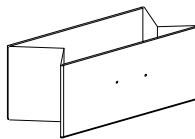
**J** 1PC



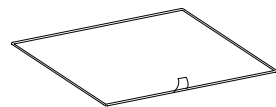
**K** 2PCS



**L** 1PC



**M** 3PCS



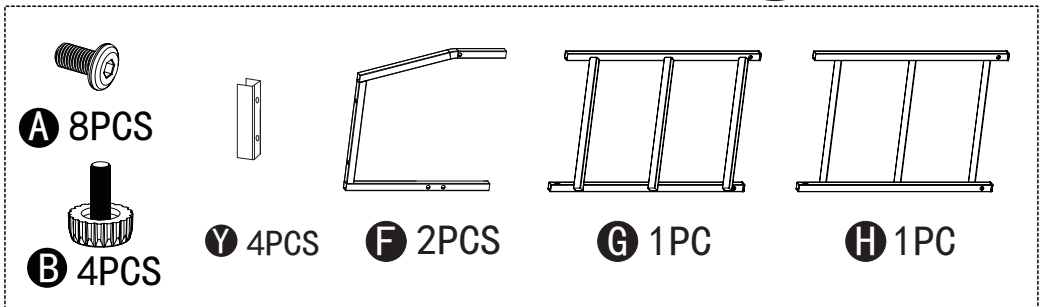
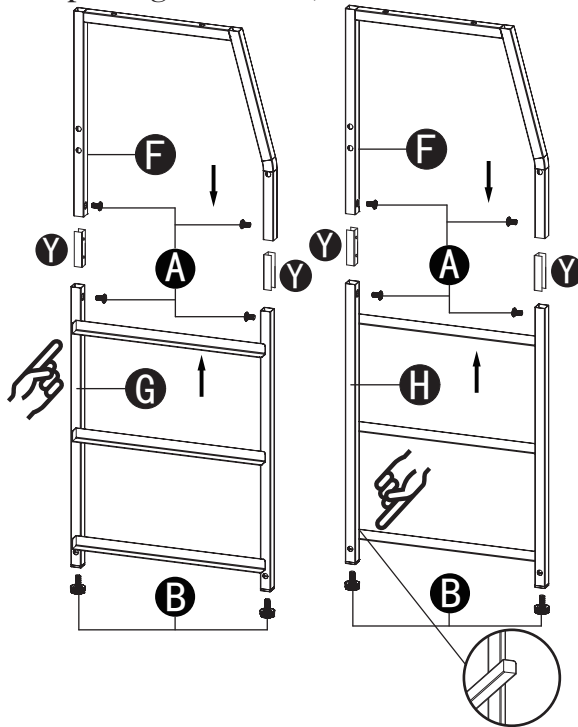
**N** 3PCS

**STEP1:1.Insert the metal frame **F** into the metal frame **G** and secure it with screws **A** .**

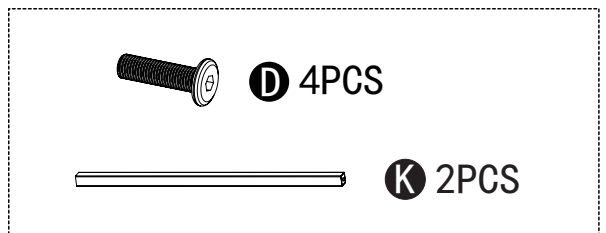
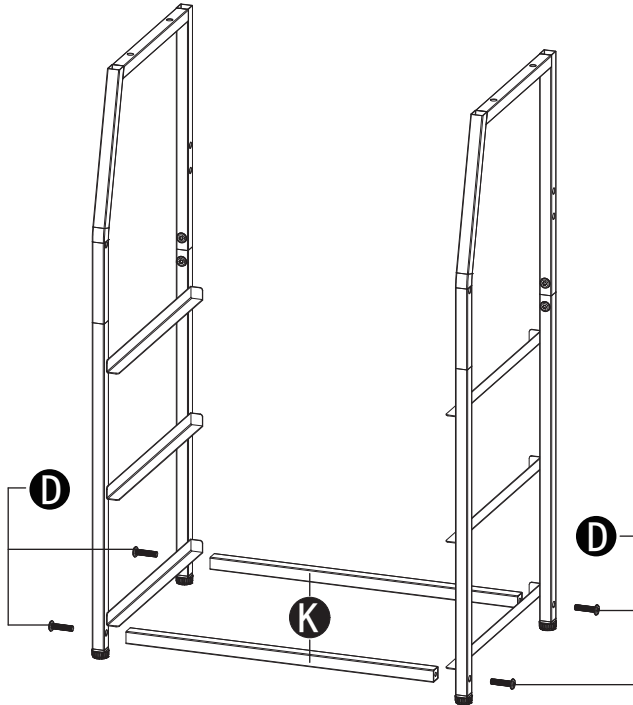
**2.Insert the metal frame **F** into the metal frame **H** and secure it with screws **A** .**

**3.Install the adjustable feet **B** .**

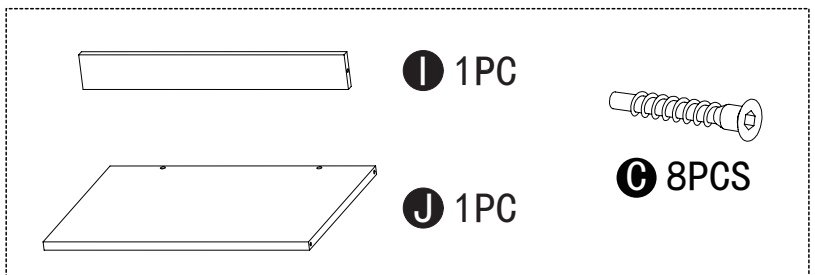
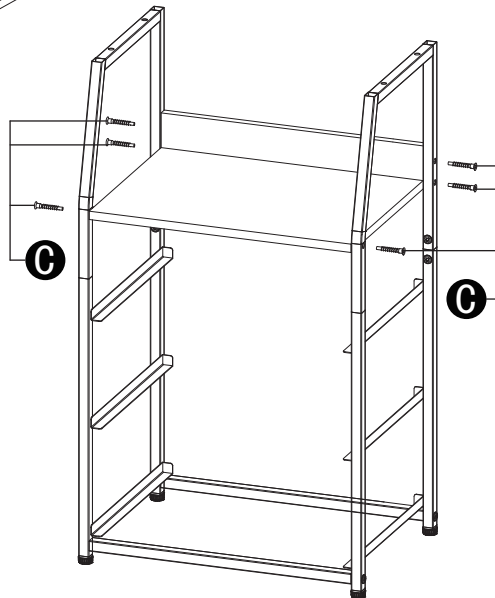
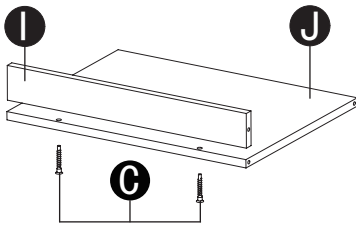
(If it is not easy to splice, you can loosen the screws above the splicing interface, and then insert the bracket.)



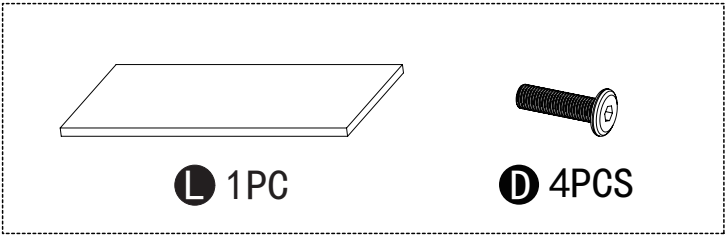
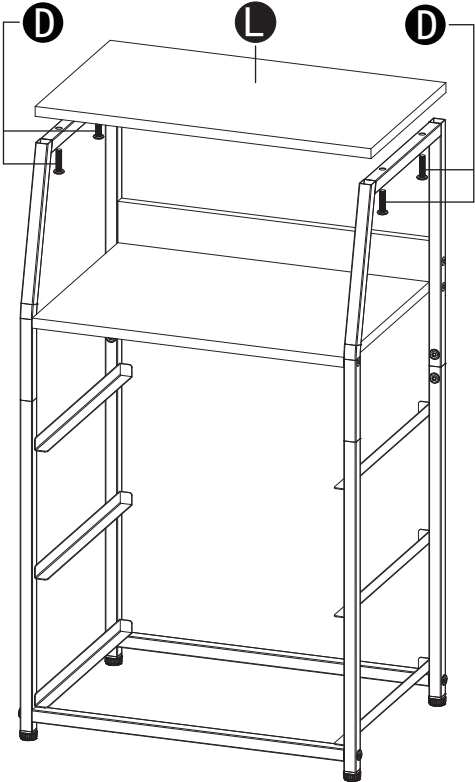
**STEP2:Secure the bottom brackets **K** between the frames with screws **D**.**



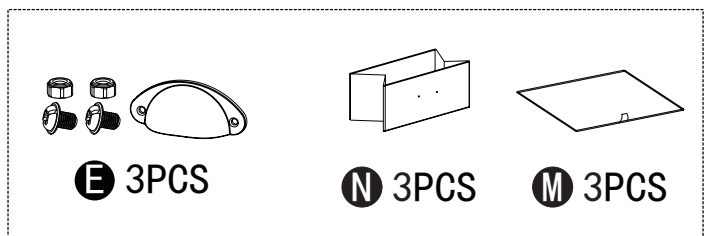
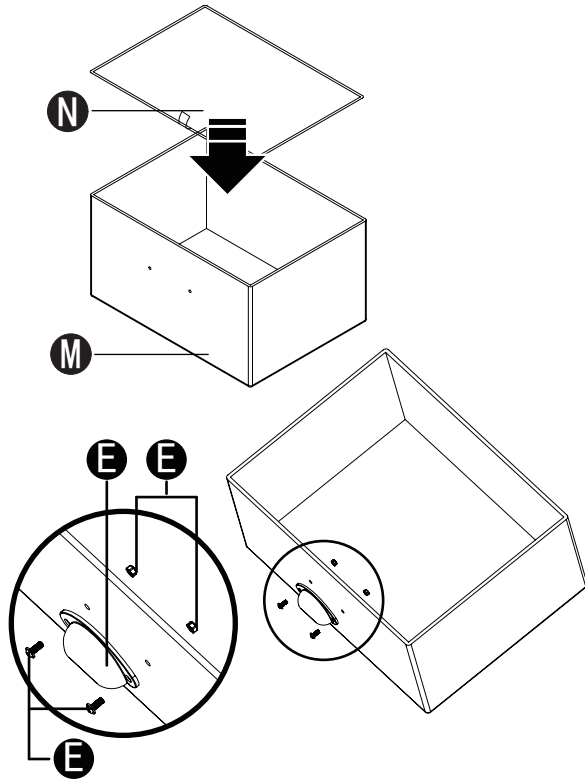
**STEP3:1. Secure the back board ① to the middle board ② with screws ③ .**  
**2. Secure the whole board between the two frames with screws ③ .**



**STEP4:Secure the wood top board **L** with screws **D** .**



# STEP5: Assemble the drawers.



**STEP6: Assemble the drawer into the metal frame.**

