

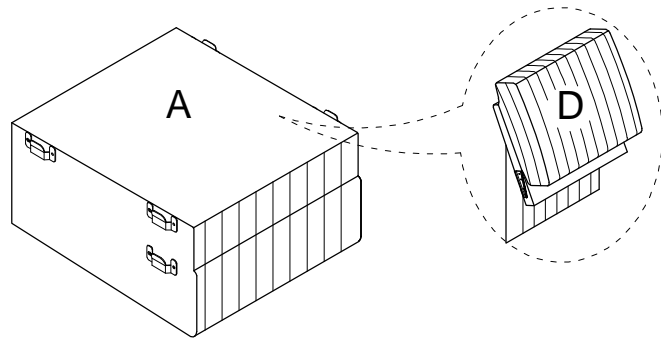
# ASSEMBLY INSTRUCTION

## Chair

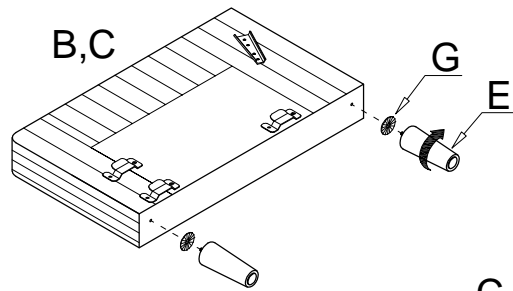
NO.	PARTS LIST	QTY	DESCRIPTION	NO.	PARTS LIST	QTY	DESCRIPTION
A		1	Seat Frame	F		1	Back Rail
B		1	LSF Armrest	G		4	Washer
C		1	RSF Armrest	H		4	Allen Bolt φM6*20
D		1	Back Rest	I		1	Allen Key φ1/4" *M4
E		4	Plastic Leg				

### STEP 1:

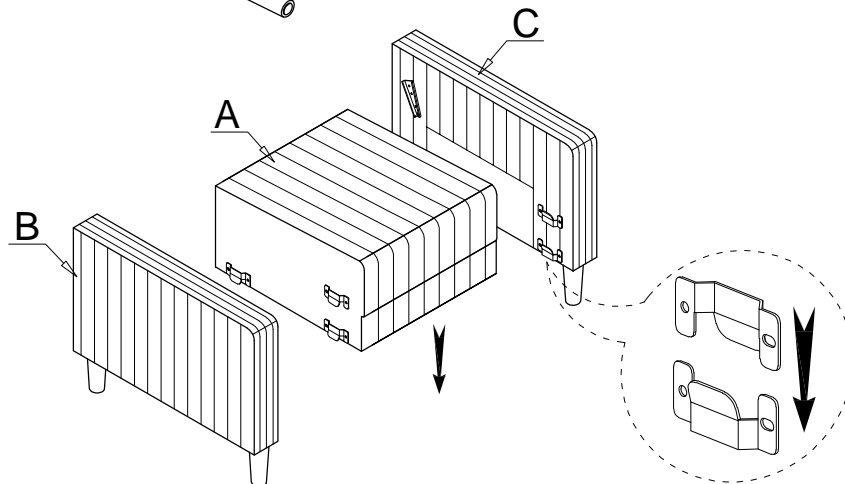
Take out Back Rest (D) from the bottom.



### STEP 2:



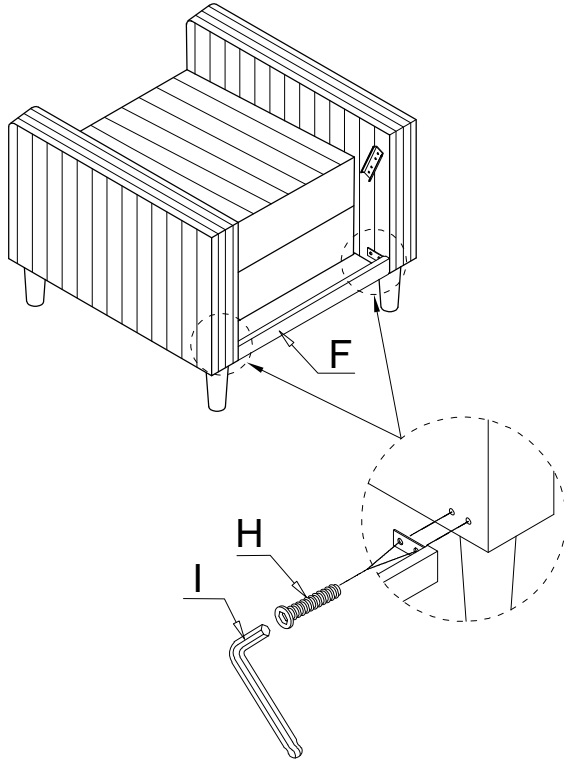
### STEP 3:



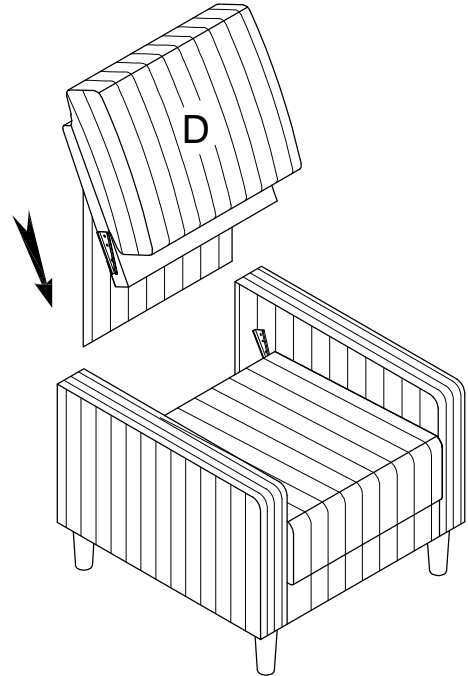
## ASSEMBLY INSTRUCTION

## Chair

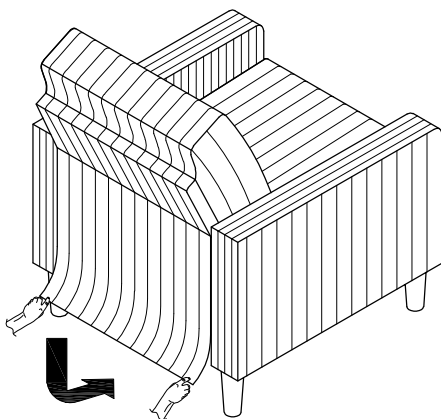
## STEP 4:



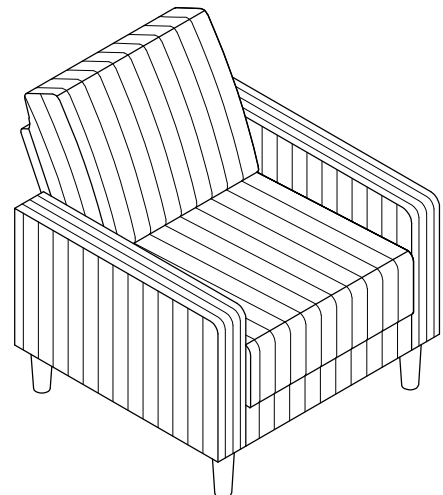
## STEP 5:



## STEP 6:



## STEP 7 (Completed) :



## CARE INSTRUCTION FOR FABRIC FURNITURE

In order to maintain the original appearance of your fabric furniture, please follow below simple care procedures.

°Avoid exposing furniture directly to sunlight or heating and air conditioning outlets. Exposure to sunlight or heating and air conditioning outlets will fade/damage fabric.

°Wipe gently with a damp soft cloth to remove dust, dirt and any grime build up.