
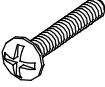


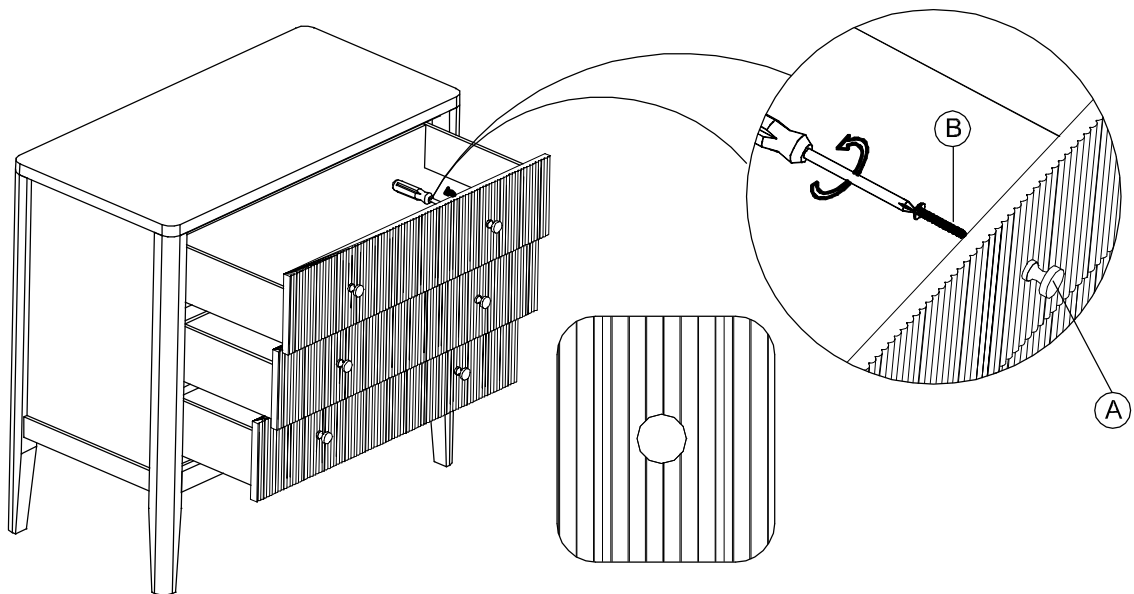
ASSEMBLY INSTRUCTIONS HARDWARE

CVFDR1046

PARTS

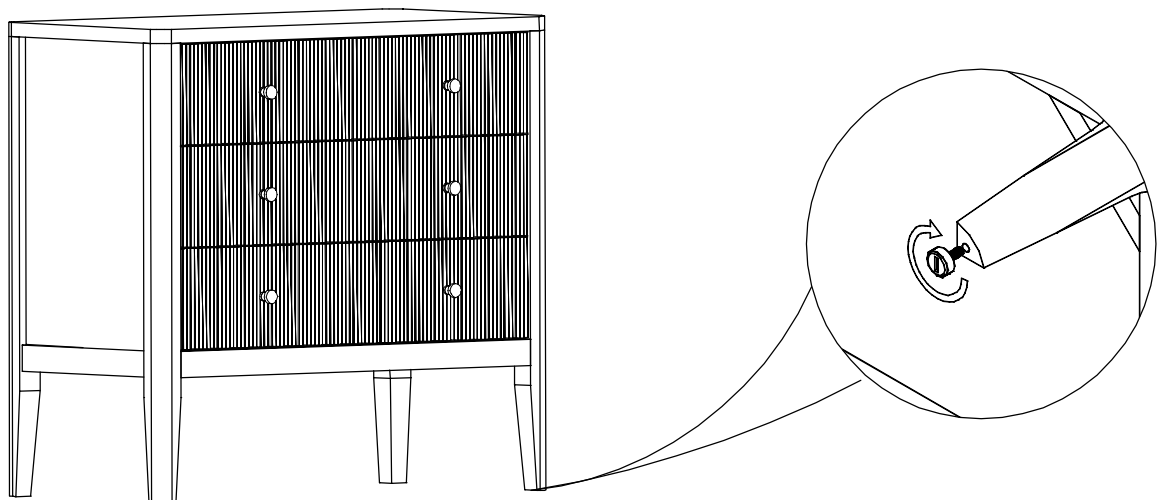
S. NO	DESCRIPTION	QNT
A	 HANDLE	06
B	 SCREW	06

STEP - 1



Install the handle on the outside of the drawers, then tie it with a screw and tighten it with a screwdriver

COMPLETED

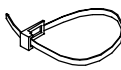






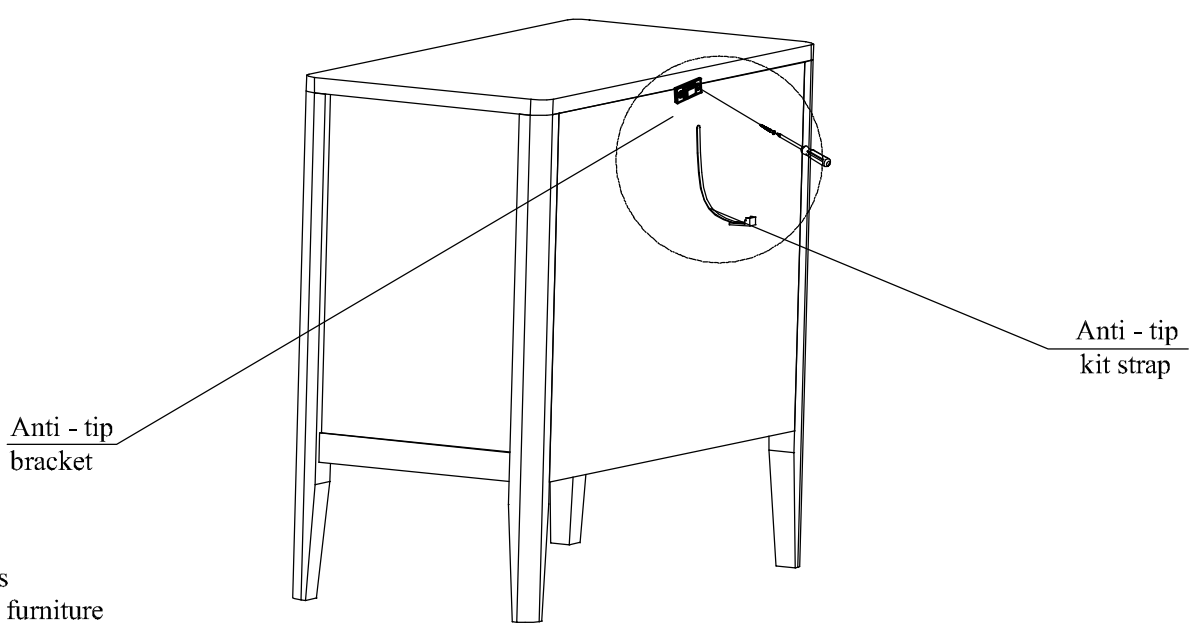
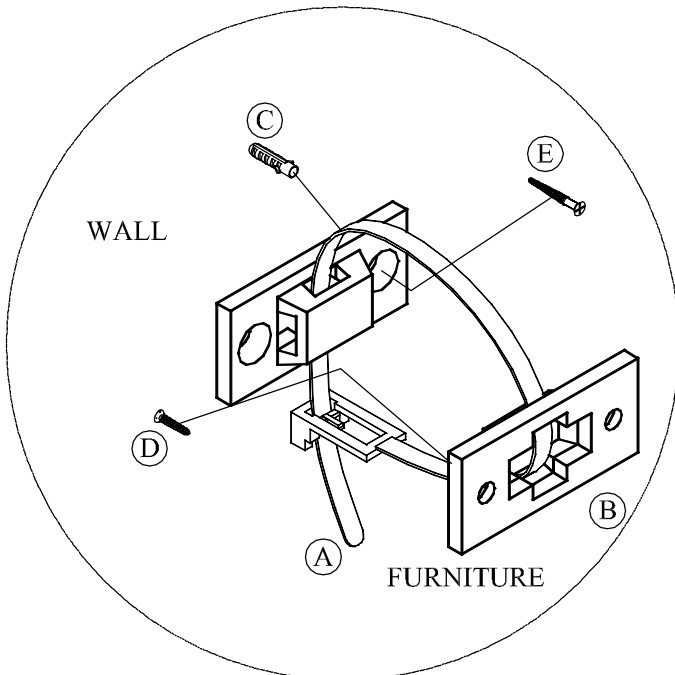
Leveller are provided at the bottom to the balance on uneven surface

MADE IN INDONESIA

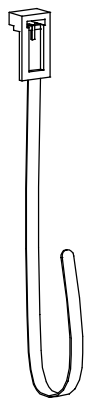
ANTI - TIP KIT INSTALATION INTRUCTIONS

CVFDR1046 / CVFDR1048_3 DRAWERS CABINET

- A : 1X 
- B : 2X 
- C : 2X  S5
- D : 2X 
- E : 2X 



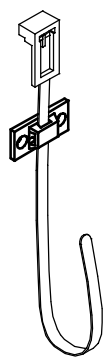
Attach this bracket to furniture



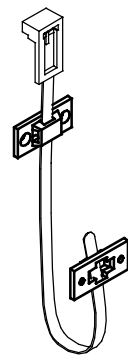
i



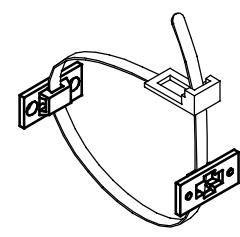
Attach this bracket to wall



ii



iii



iv