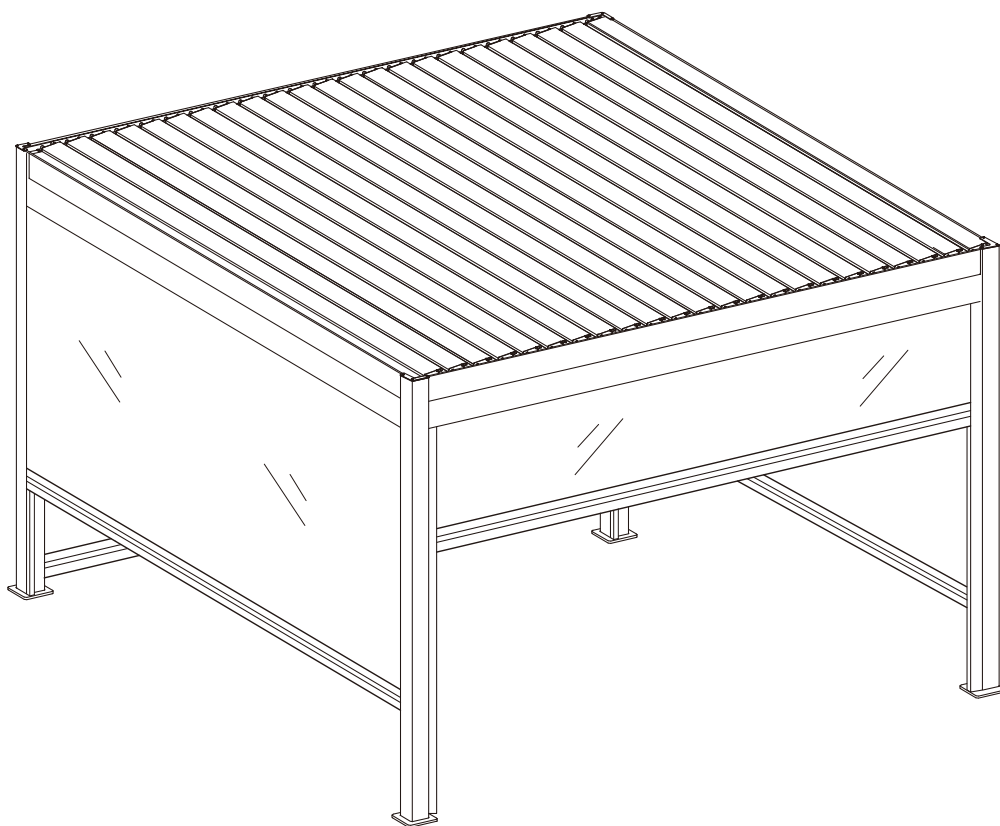


SKYPERGS-MANUAL BLIND

SMP-MBZ-INTERGRATED
SIDE BLIND INSTALLATION



INSTALLATION OF
MANUAL SIDE SCREENS










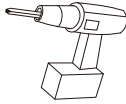
Installation video

Tools and Manpower

Dear Ladies & Gentlemen

Congratulations and thank you for choosing to buy the SKYpargs-manual blind from our company. To enjoy this product for a long time and for your own and the safety of other people, please follow the assembly instructions. Before you start the assembly process and then using the Pergola, We suggest you to get familiar with the product first. Make sure all parts listed up in below packing lists are delivered and Intact. If you find that there are parts missing or damaged please do not install manual blind but contact us immediately. Do not start the assembly process if parts are missing or defective.

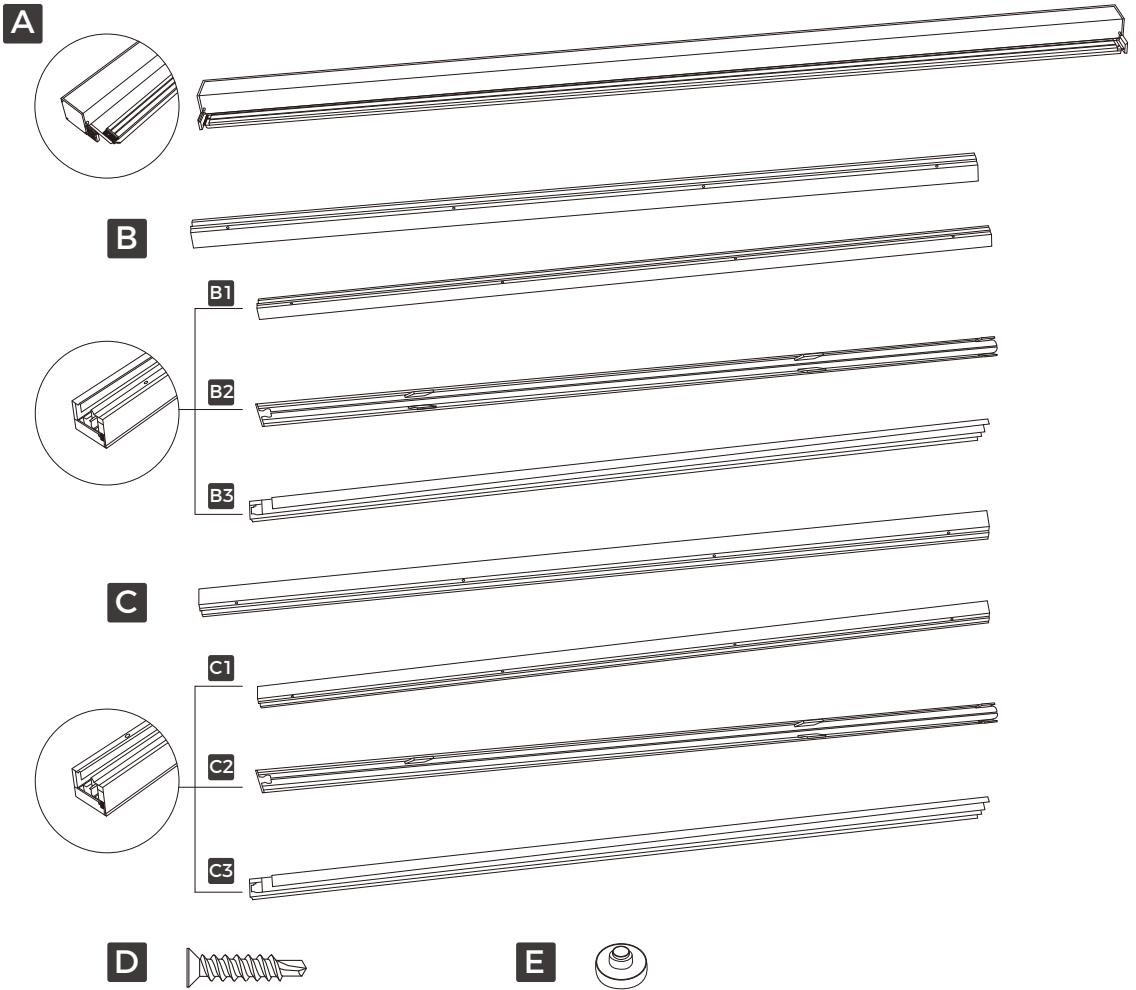
Additional tools

<p>a LADDER</p>  <p>>1.5M x2 13MM</p>	<p>b M10/13 OPEN WRENCH SUPPLIED</p>  <p>16MM</p>	<p>c RUBBER Mallet</p> 	<p>d TAPE MEASURE</p> 
<p>e 5MM HEXAGON WRENCH SUPPLIED</p> 	<p>f PENCIL</p> 	<p>g SPIRIT LEVEL</p> 	<p>h ELECTRIC DRILL</p> 

Recommended: At least 4 people

Normally we recommend that the drape must be assembled by at least four people (qualified technicians / authorised installers).

Parts List

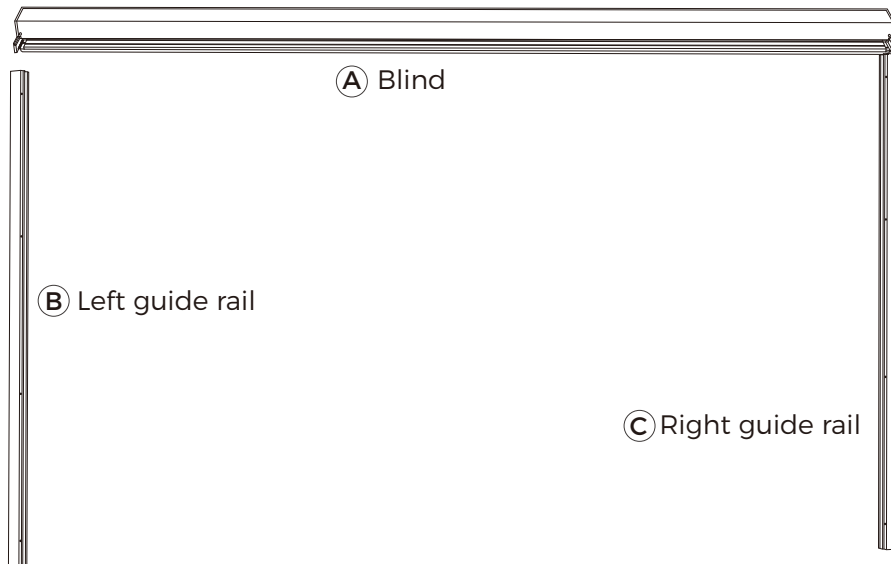


Parts	Qty	Part Name
A	1	Blind
B		Left guide rail
B1	1	Outer guide rail
B2	1	Rubber strip
B3	1	Innerguide rail
C		Right guide rail
C1	1	Outer guide rail
C2	1	Rubber strip
C3	1	Innerguide rail
D	12	screw
E	12	plugs

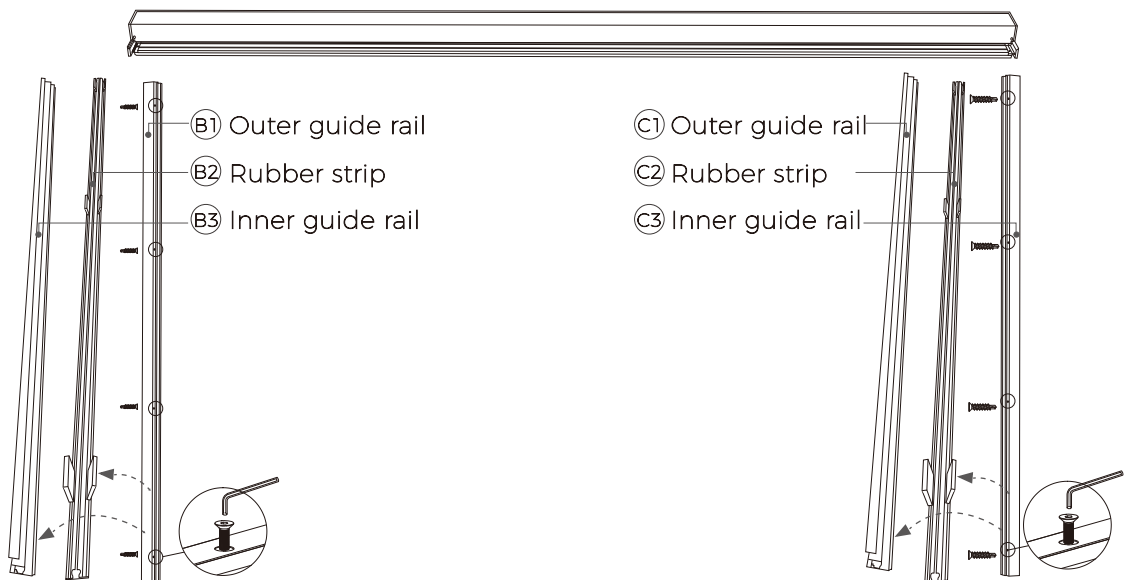
Pergola Blind Installation

Step 1-a:

Remove all plastic lamination from the side posts and blinds.
Place them in order on a flat surface.



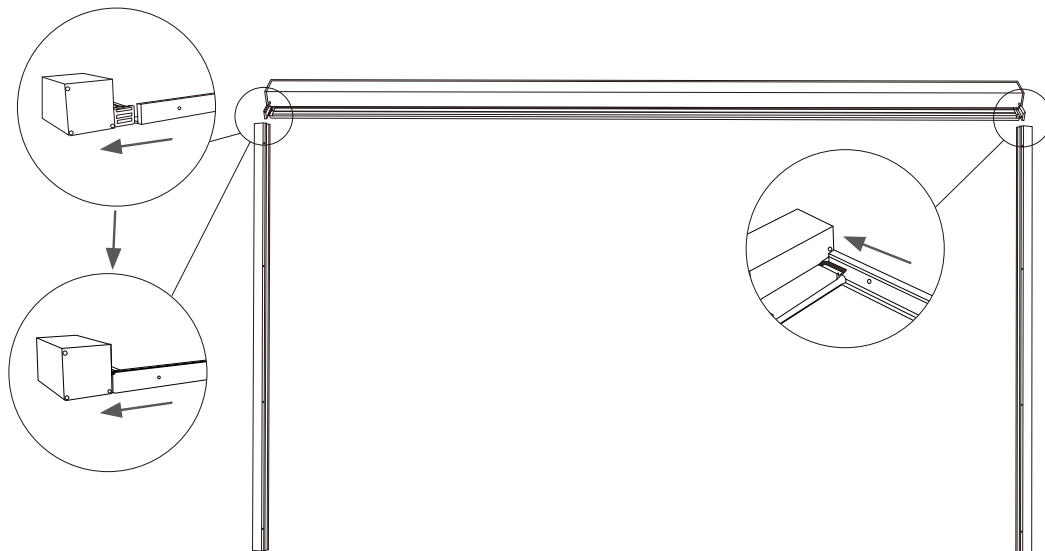
Loosen the original 4 screws, Remove the left guide rail.
In the same way to remove the right guide rail.



Pergola Blind Installation

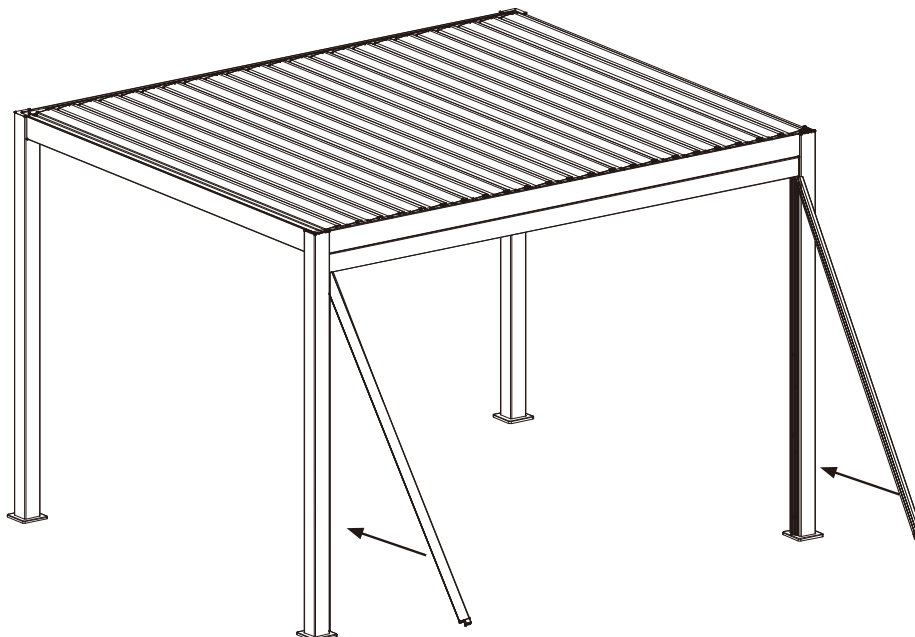
Step 1-b:

Connect the blind and outer guide rail.



Step 1-c:

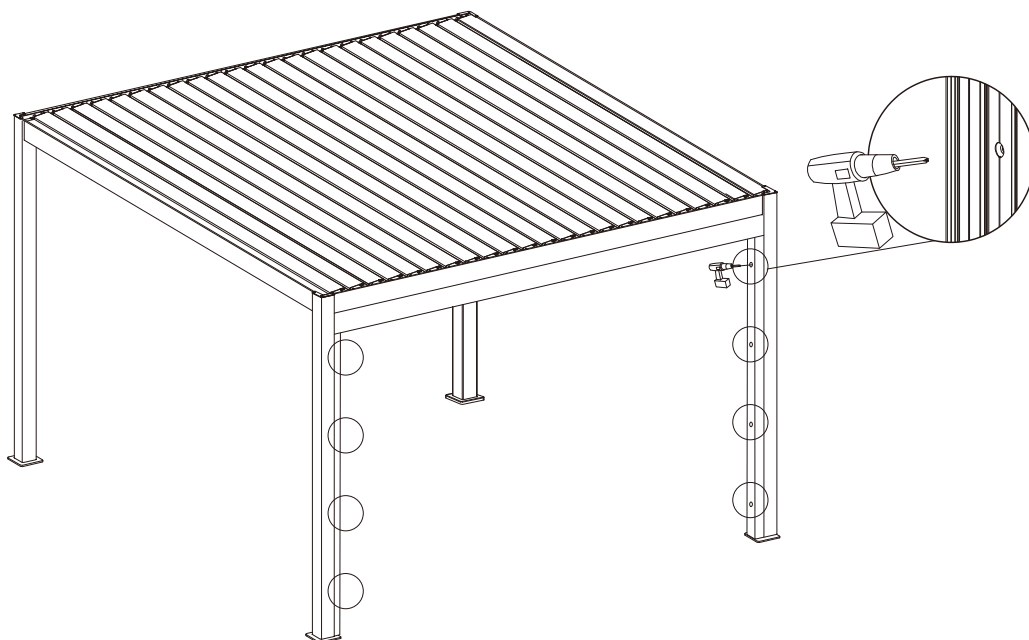
Install the blind into the pergola frame.



Pergola Blind Installation

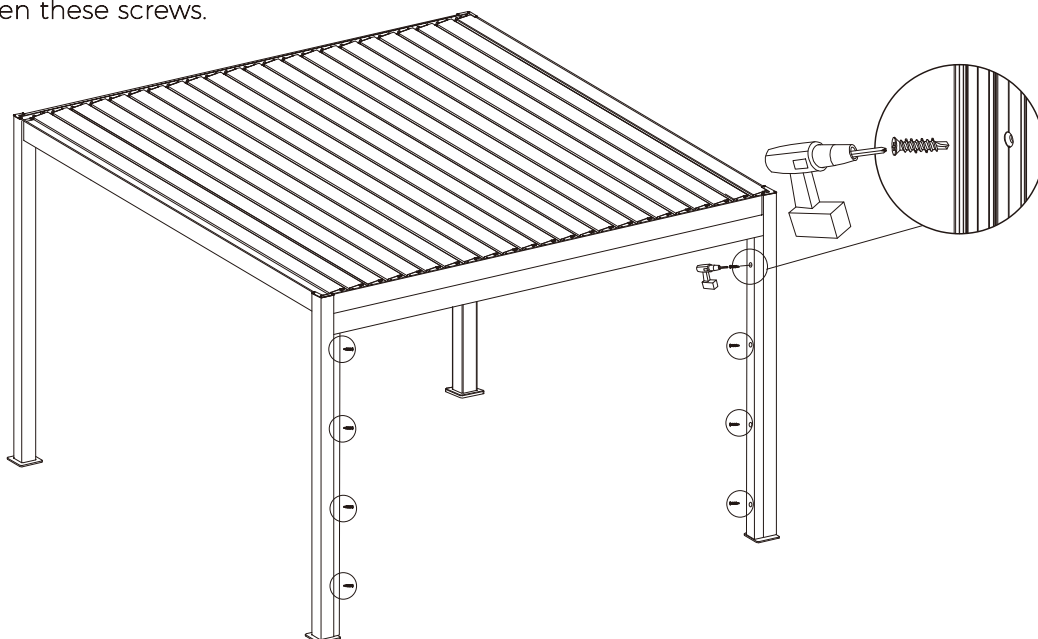
Step 1-c:

Drill holes according to the reserved position on the outer guide rails.



Step 1-c:

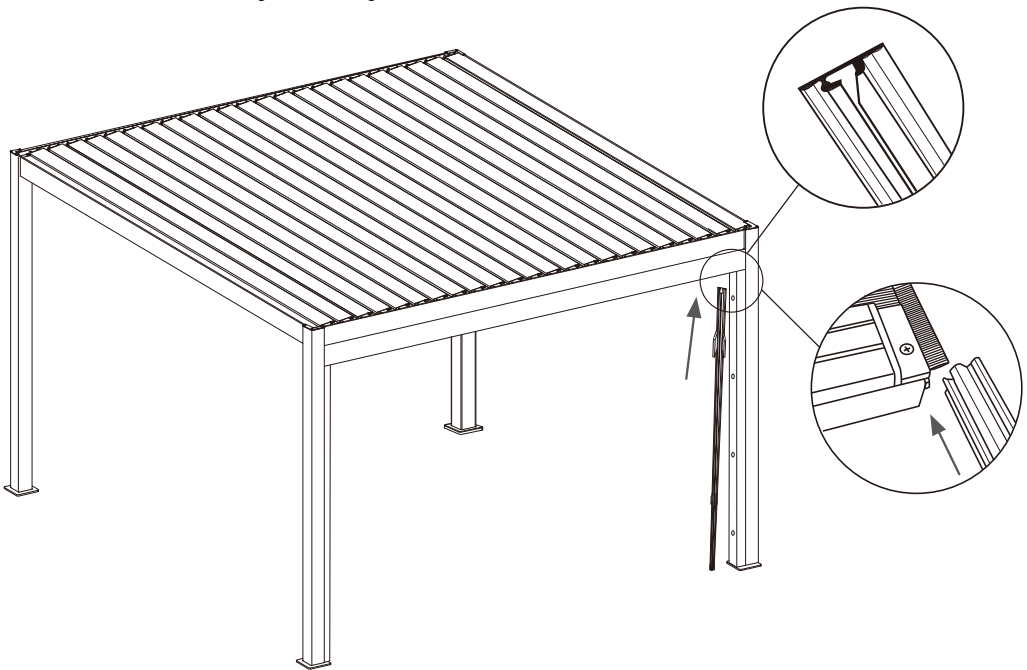
Tighten these screws.



Pergola Blind Installation

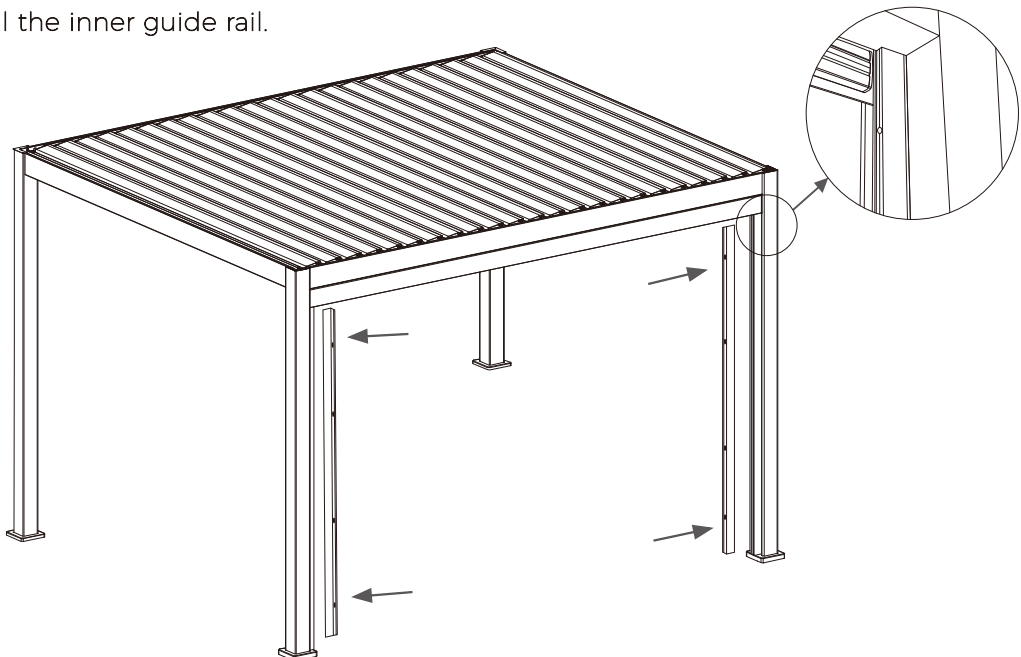
Step 1-d:

Install the rubber strip.
The "Y" shape is mounted upward.
The rubber is inserted along the edge of the blind.



Step 1-e:

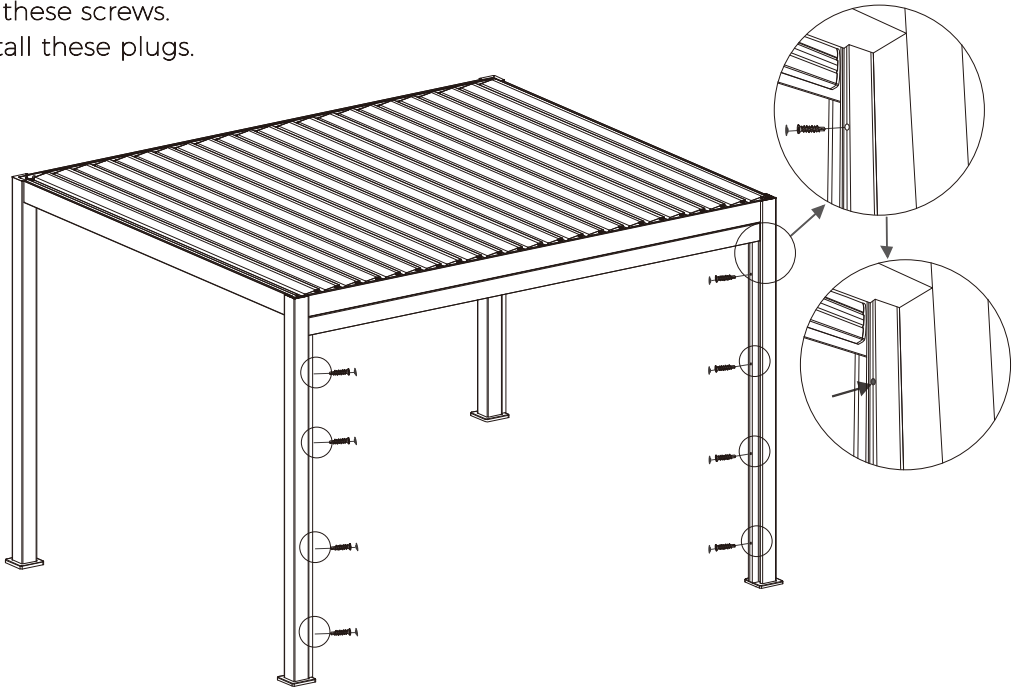
Install the inner guide rail.



Pergola Blind Installation

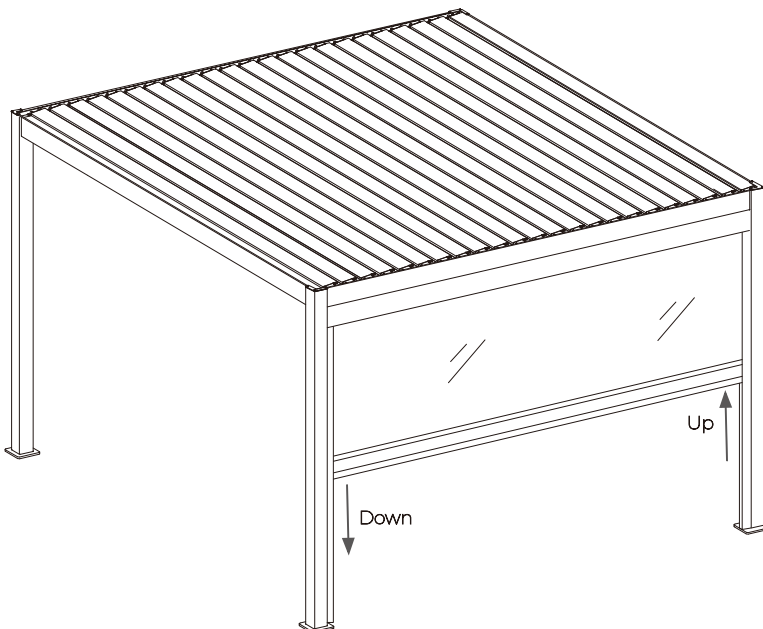
Step 1-e:

Use the loosen screws from step 1-a;
Tighten these screws.
And install these plugs.



Step 1-f:

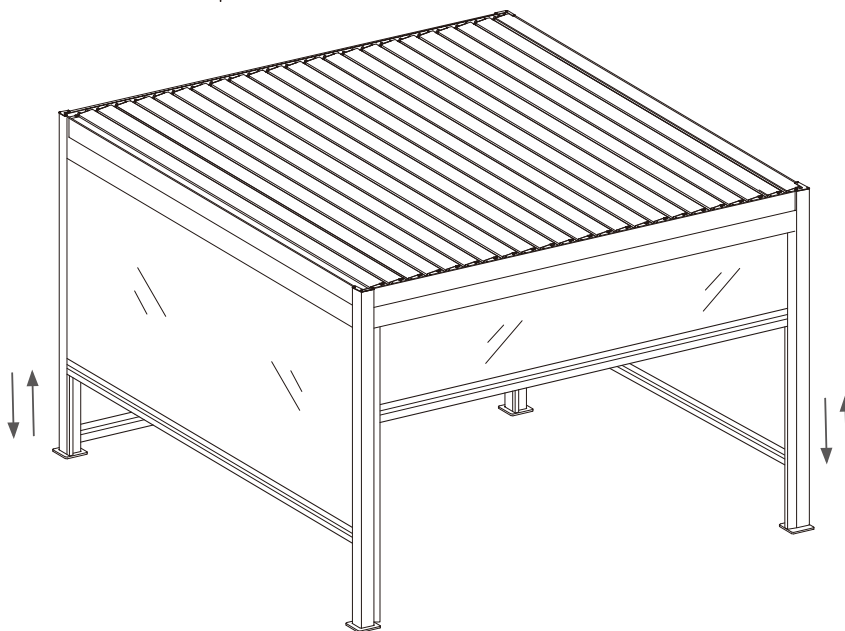
Once done, check if the blinds roll up and down smoothly.



Pergola Blind Installation

Step 2:

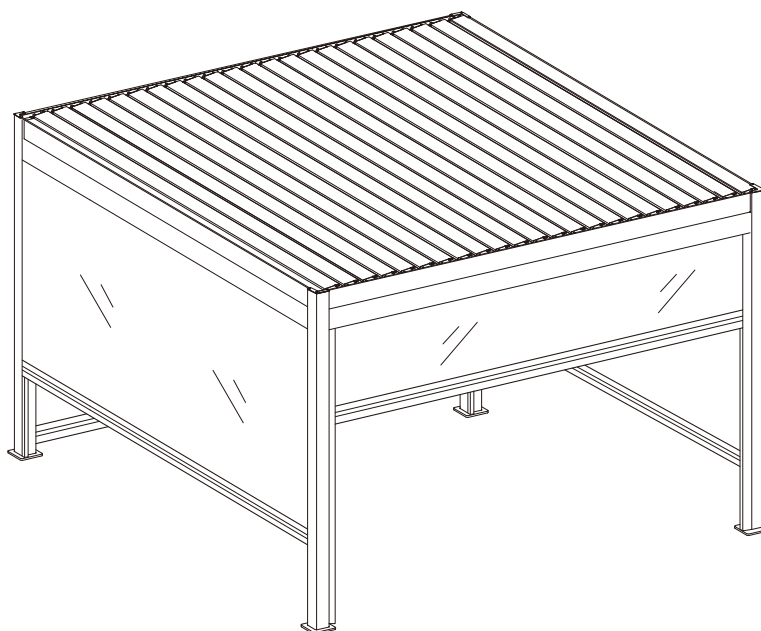
Install other blinds as in step 1.



Congratulations, it has been successfully installed!

WARNING:

Ensure blinds are open or do not pull down drapes during light to strong winds.



SiMPO
L I F E S T Y L E

sales@simpo.eu

www.simpo.eu

www.simpoliving.com

