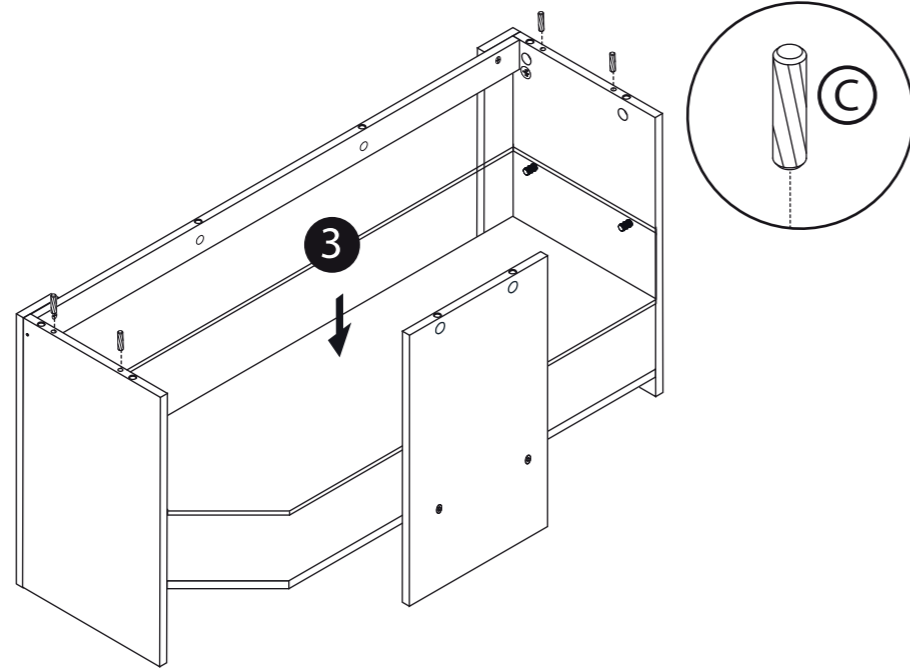


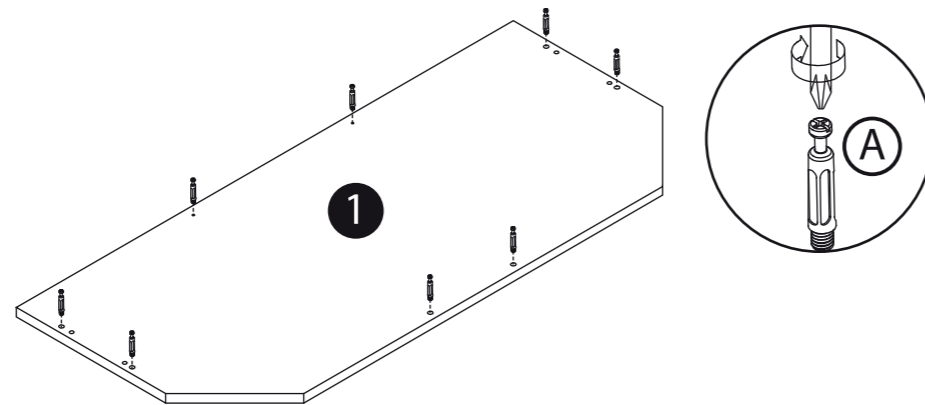
7

(C) x4



8

(A) x8

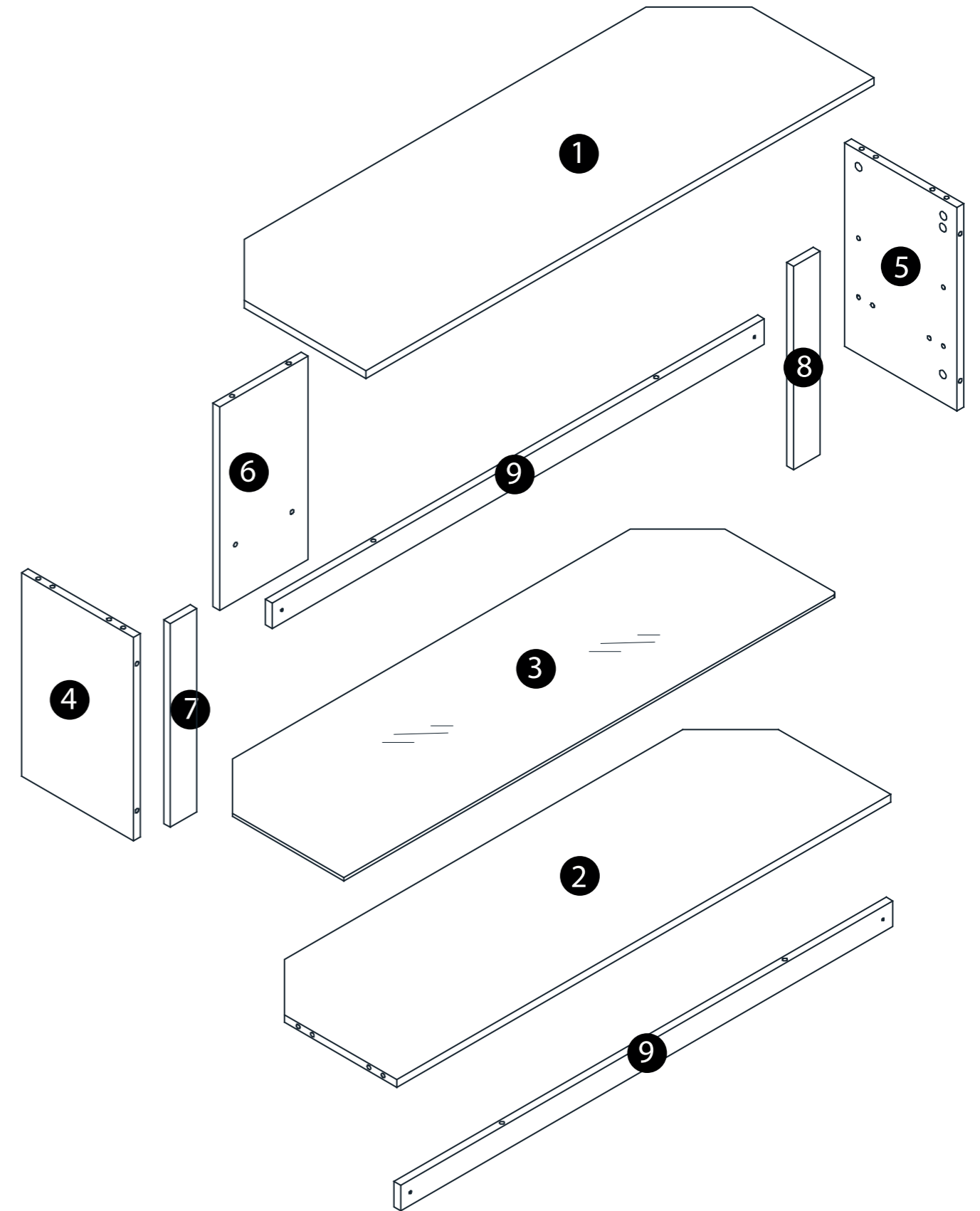
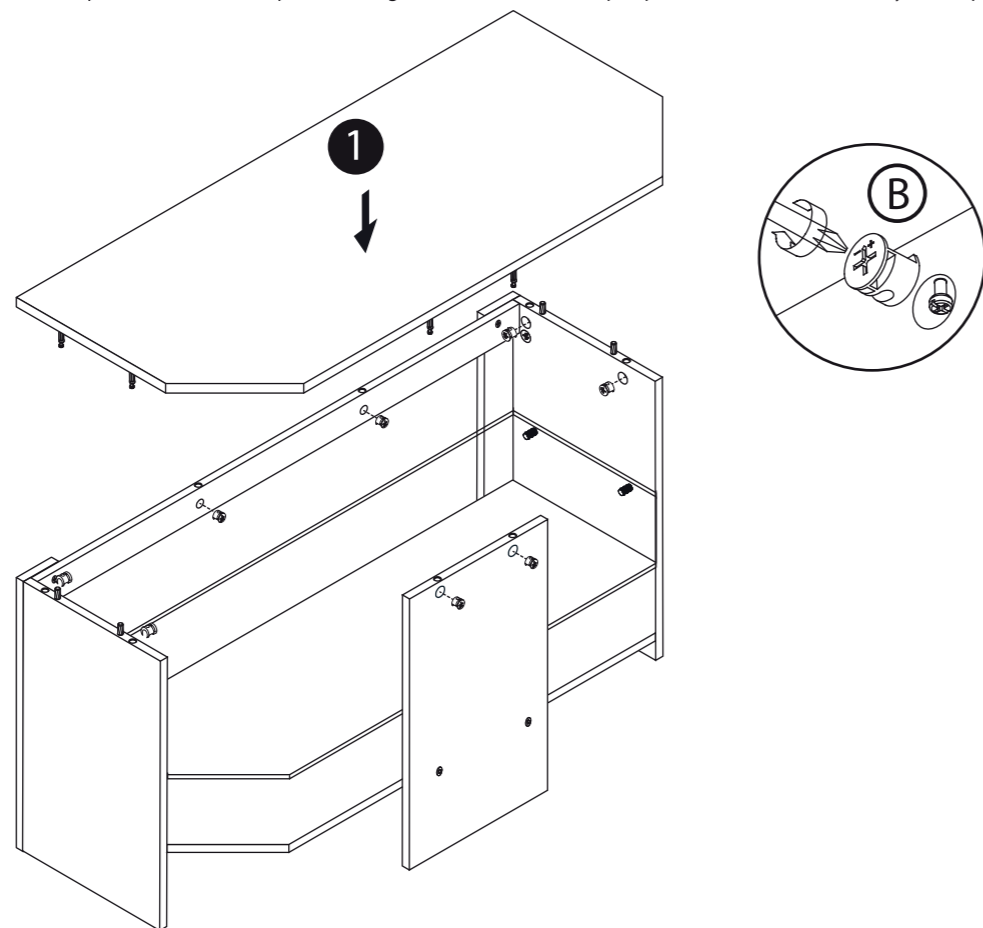


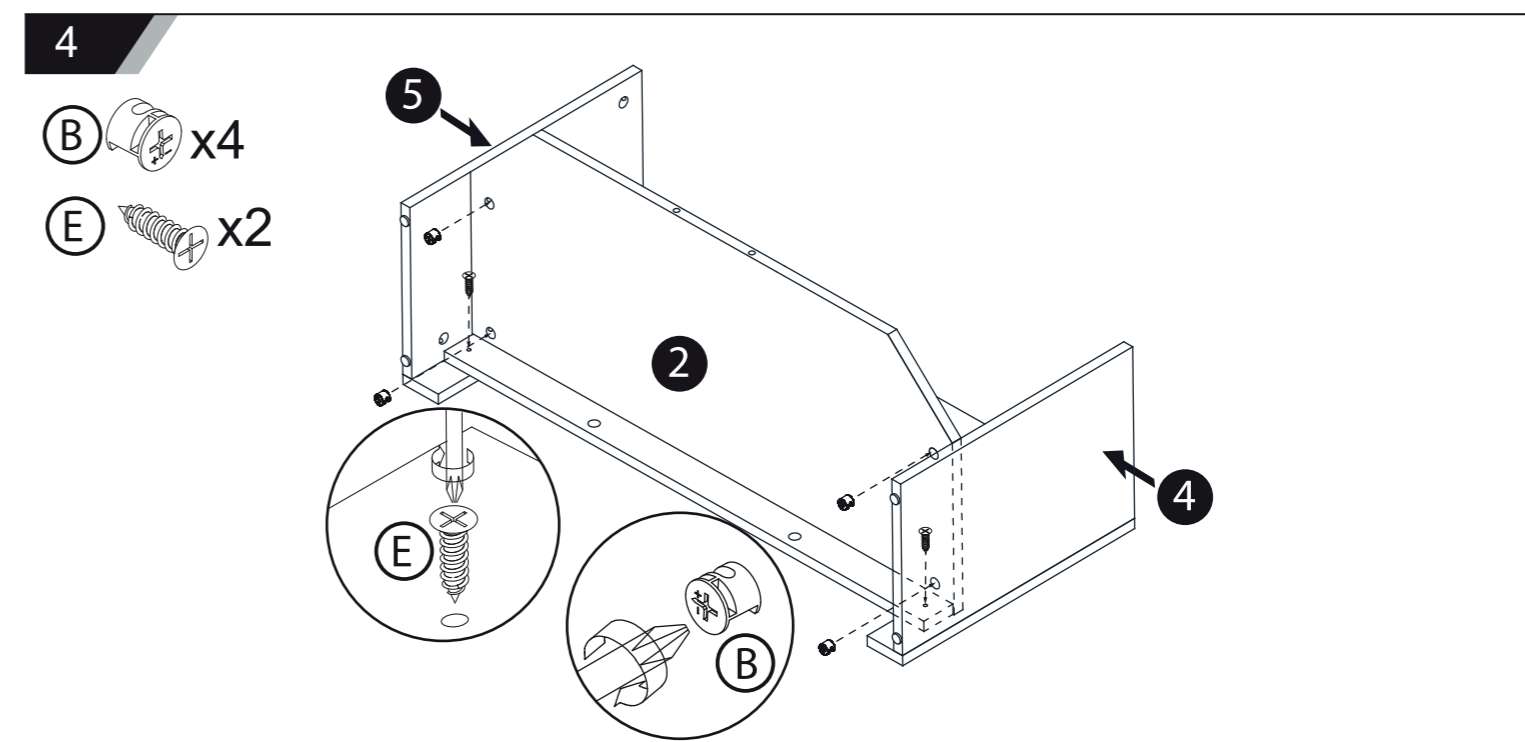
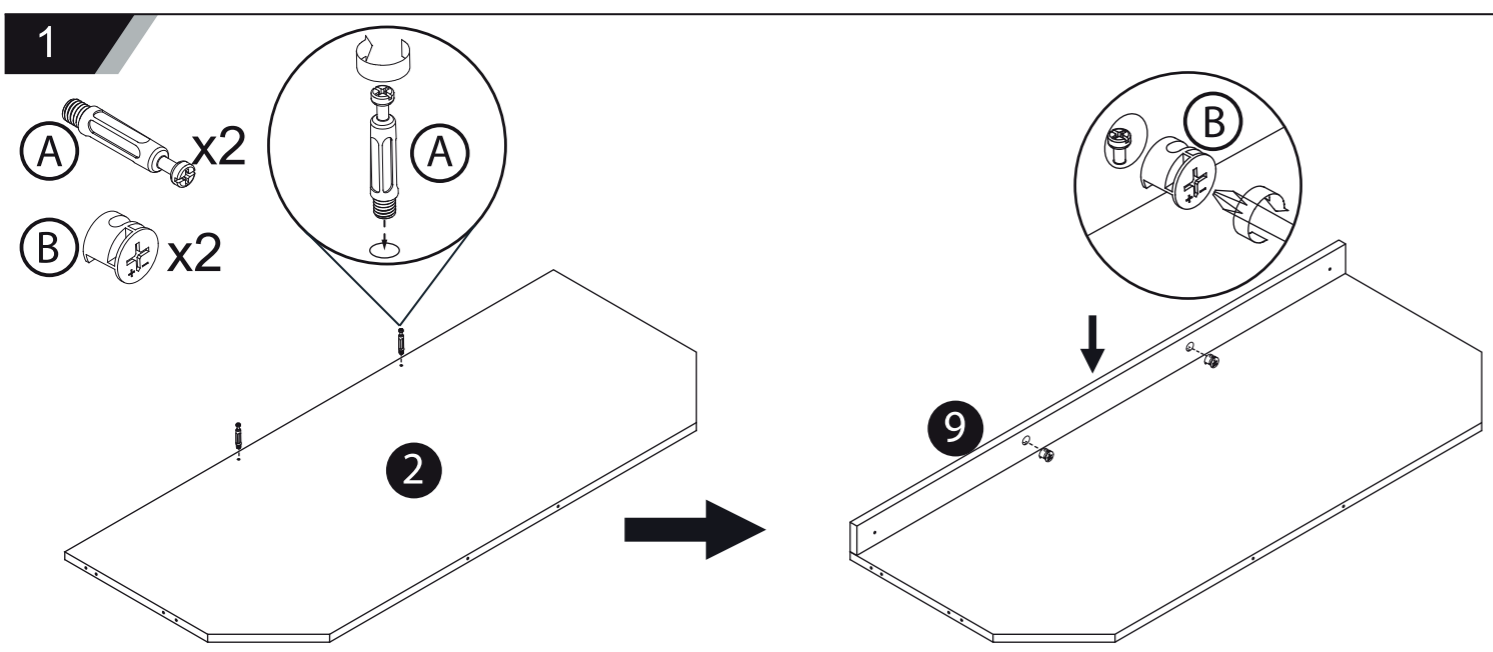
9

NOTE: Once part 1 is fitted secure with 8 part Bs. Make sure all part Bs are tightened to secure the top in place. Use Part D to cover any visible part B's.

(B) x8

(D) x6





**2** NOTE: If Part H doesn't fit easily by pressing it in with a thumb, a small hammer could be used to tap into position.

