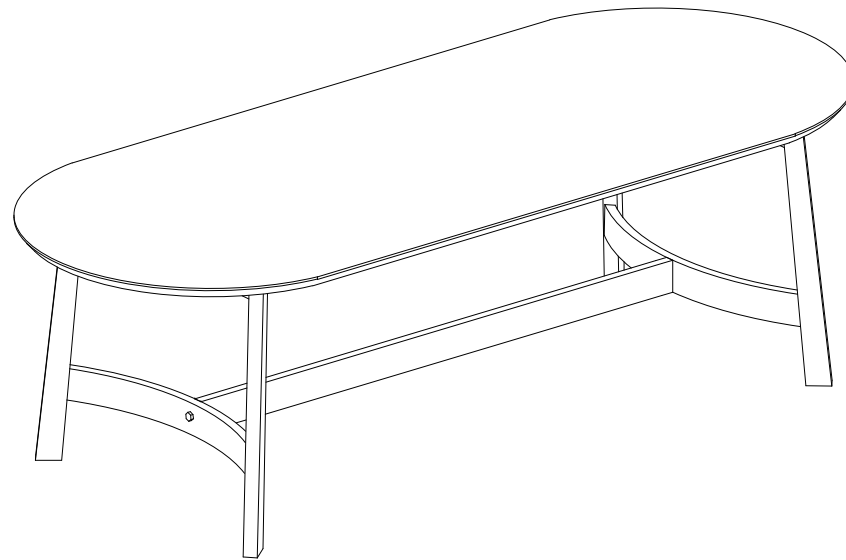


ASSEMBLY INSTRUCTIONS.



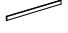
STADIUM DINING TABLE SMALL






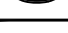

THANK YOU FOR YOUR PURCHASE!

# PARTS AND HARDWARE.

## PARTS LIST

NO.	DESCRIPTION	IMAGE	QTY
P1	TOP		1
P2	LEG		2
P3	STRETCHER		1

## HARDWARES LIST

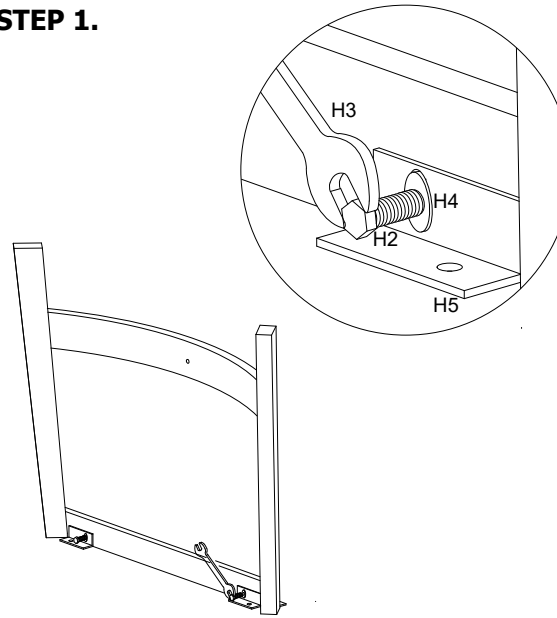
NO.	DESCRIPTION	IMAGE	QTY
H1	HEX BOLT LARGE		2
H2	HEX BOLT SMALL		16
H3	SPANNER		1
H4	WASHER		18
H5	L-ANGLE		8

## NOTES.

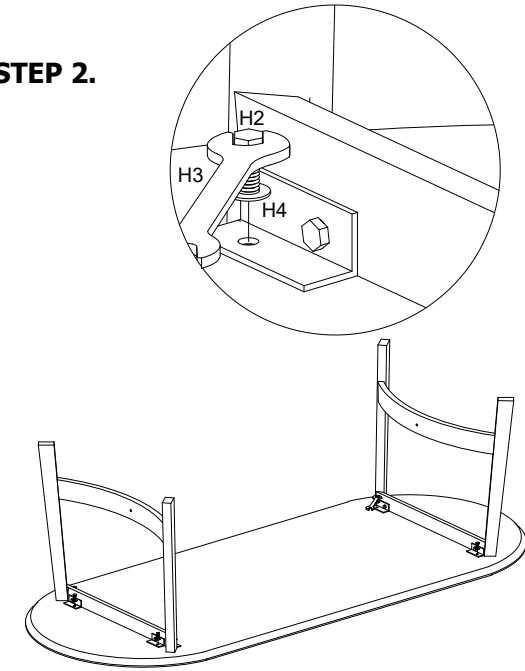
Thank you for purchasing this quality product! Be sure to check all packing material carefully for small part that may have come loose inside the carton during shipping.

**CAUTION:** The item is heavy, assembly should be performed by two people.

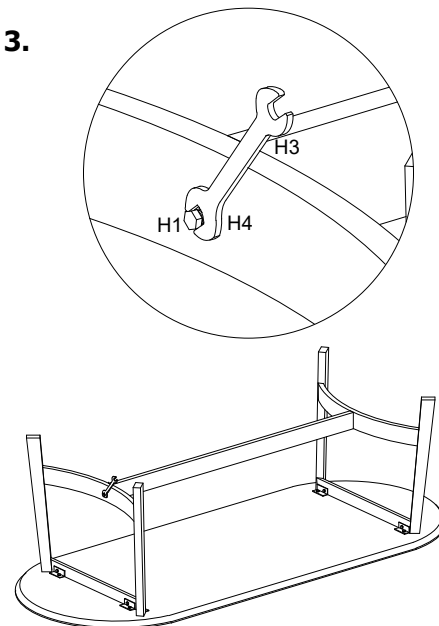
### STEP 1.



### STEP 2.



### STEP 3.



### STEP 4.

