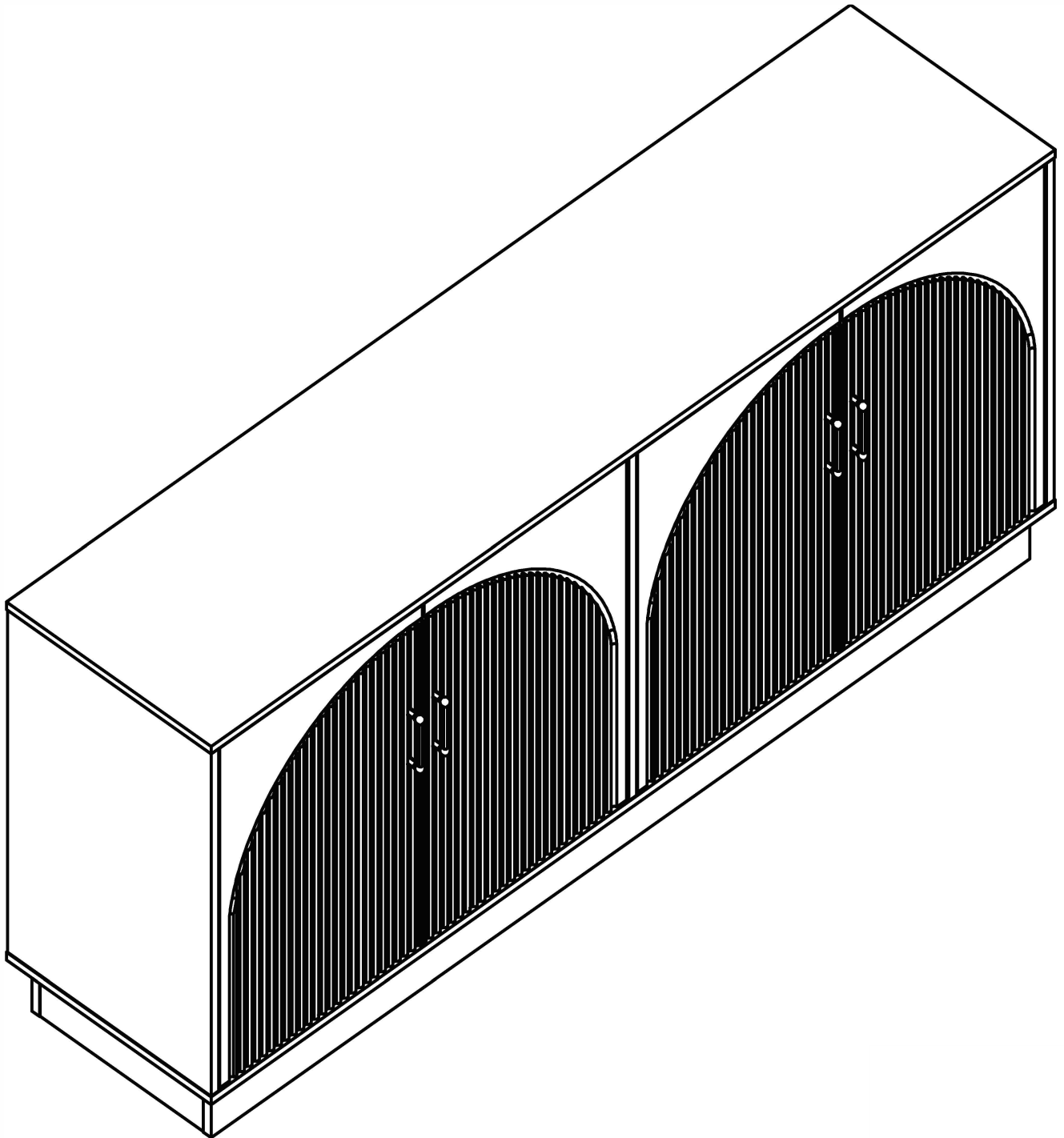
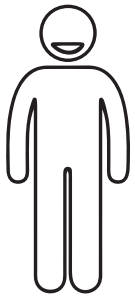


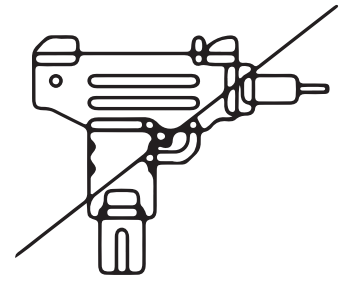
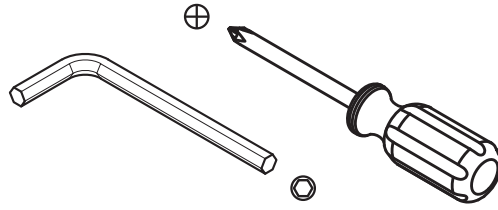
ASSEMBLY INSTRUCTION

If you need any help during assembly, please contact us.
Sharing a video and a brief description of where you're stuck will help us assist you better.





× 2



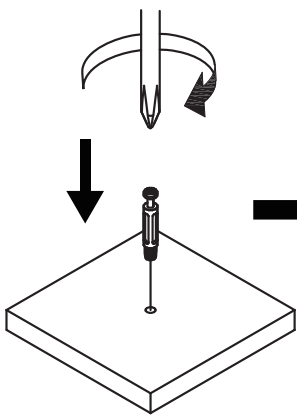
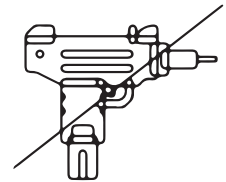
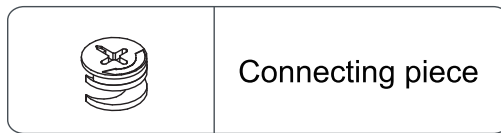
Before You Begin

Two people are recommended for the assembly.

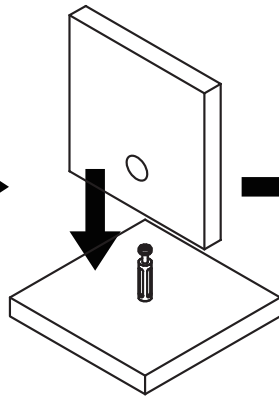
Use the included tools.

If using a power tool, use low power and torque.

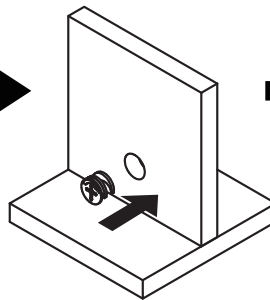
Installation of Eccentric Unit



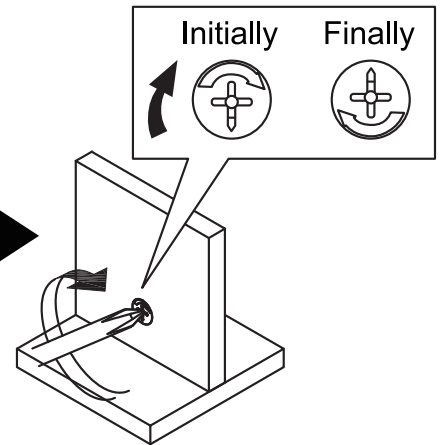
1



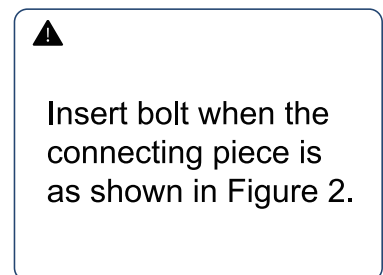
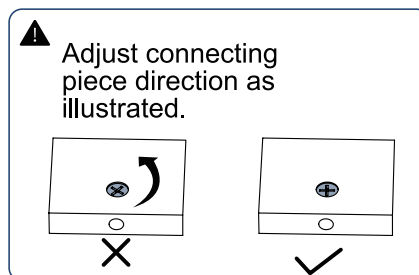
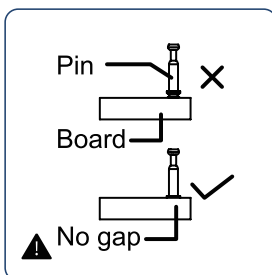
2

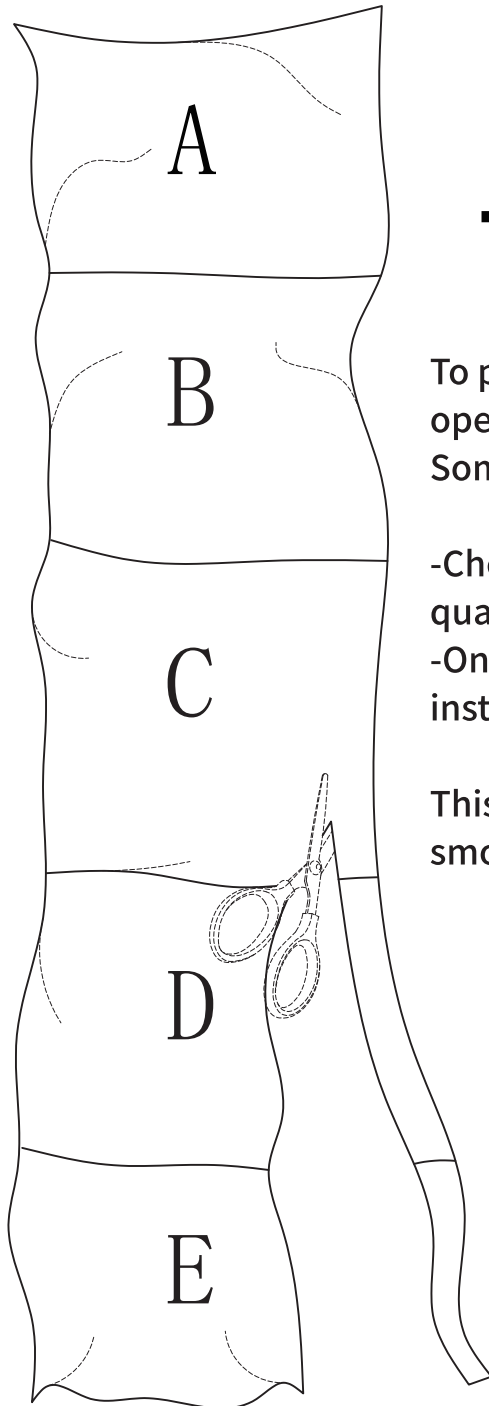
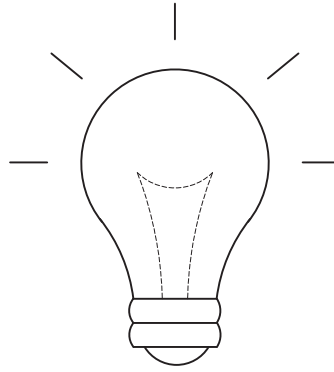


3



4





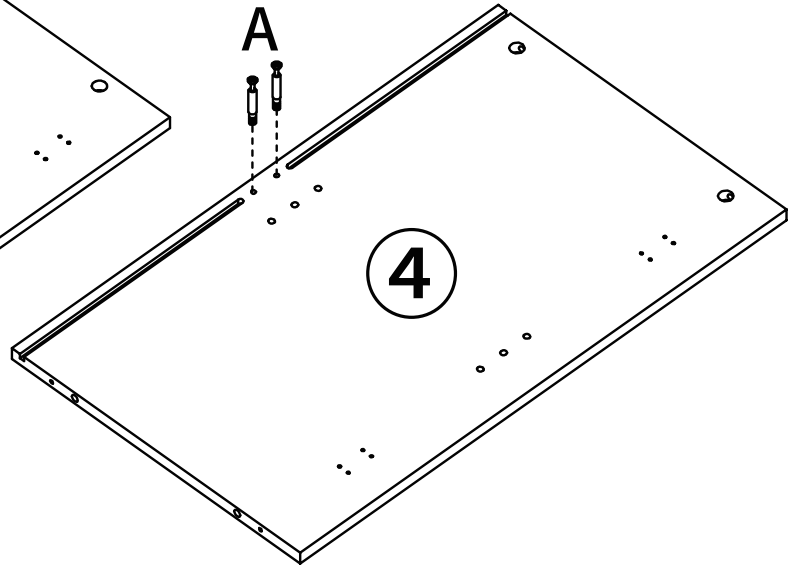
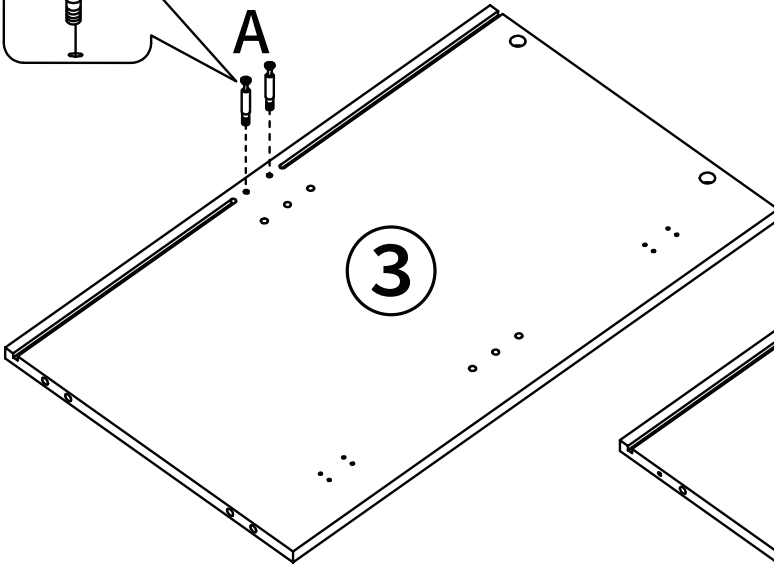
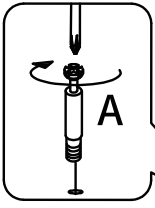
friendly reminder

To prevent confusion during installation, please do not cut open all hardware bags at once.
Some screws may look similar, so before starting assembly:

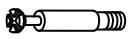
- Check each hardware bag and confirm that the type and quantity match the parts list in the manual.
- Only open each bag when it is needed for that specific installation step.

This will help keep the hardware organized and ensure a smoother installation process.

1



A×4

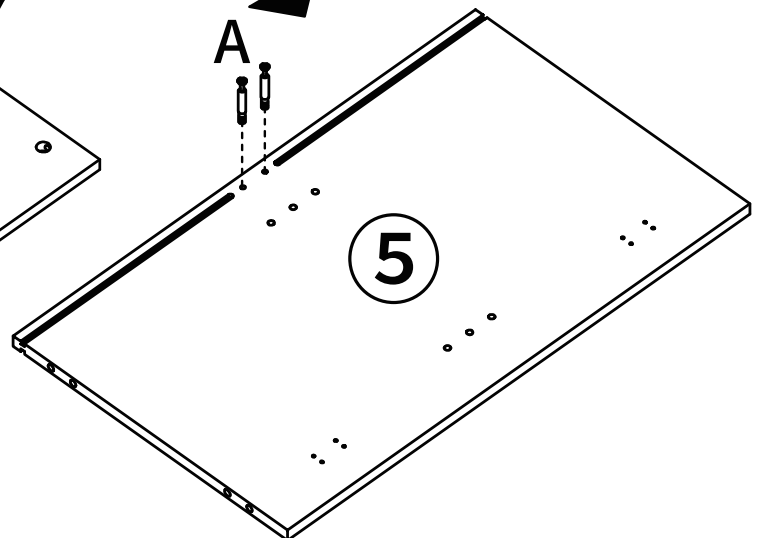
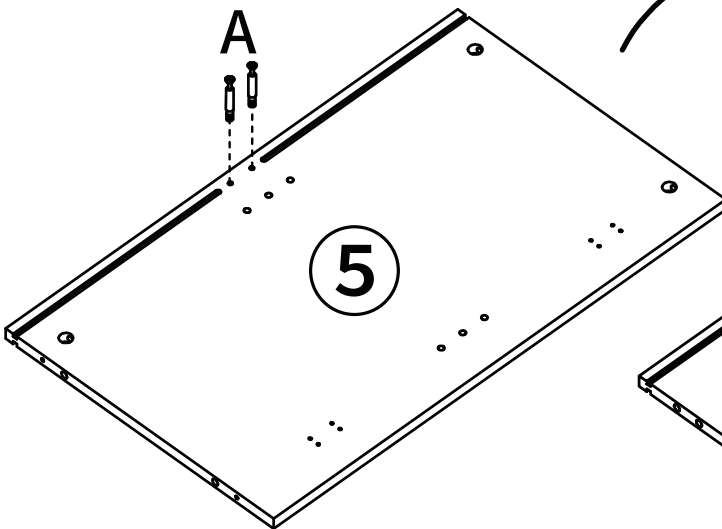


M6x27.5mm

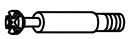
Screw (A) into (3) and (4).

2

180°



A×4



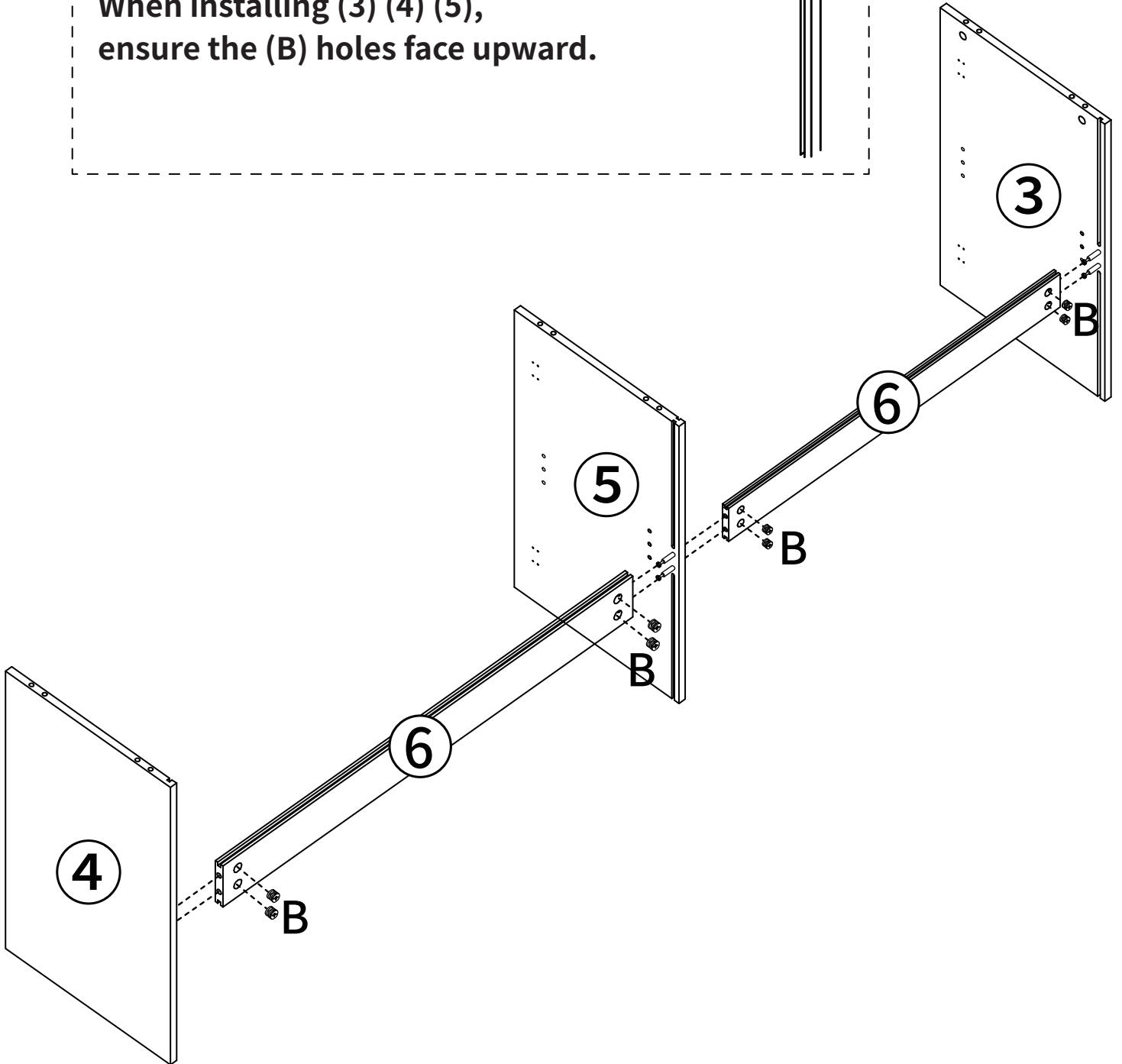
M6x27.5mm

Screw (A) into both sides of (5) as displayed.

3

Note:

When installing (3) (4) (5),
ensure the (B) holes face upward.



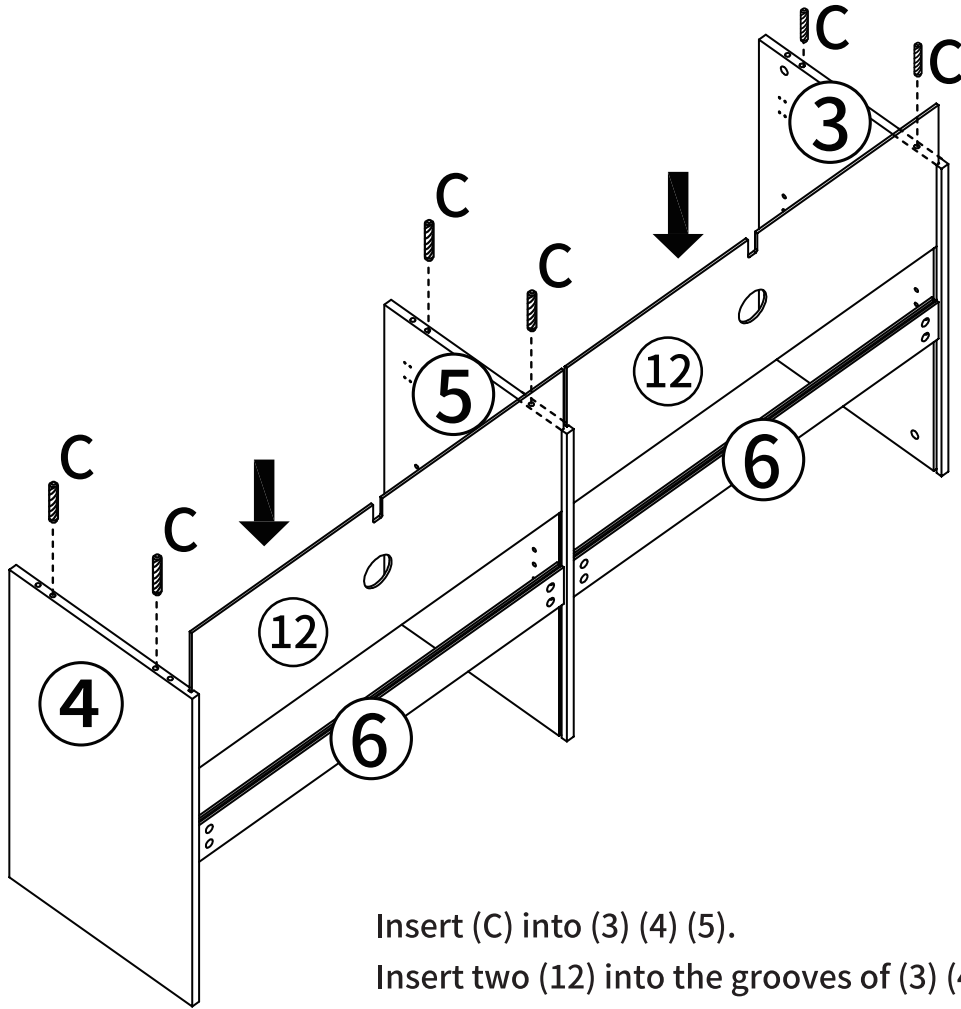
B×8



Φ12mm

Connect two (6) to (3) (4) (5) securing them with (B).

4



C×6

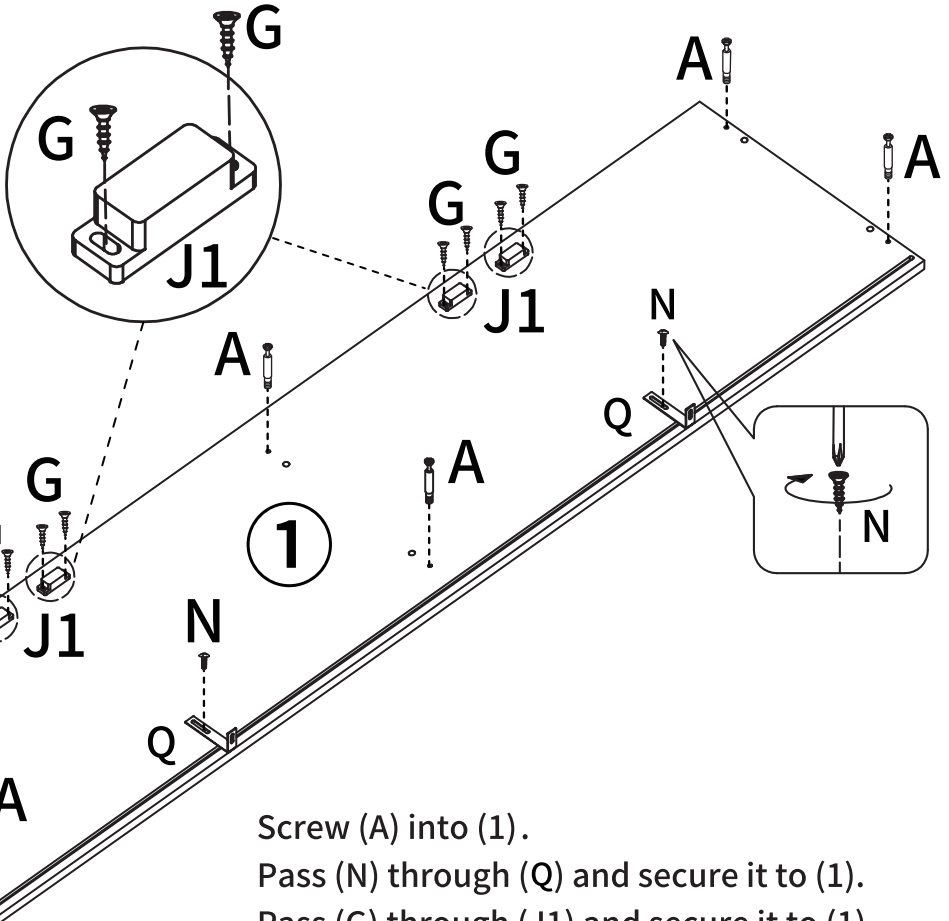
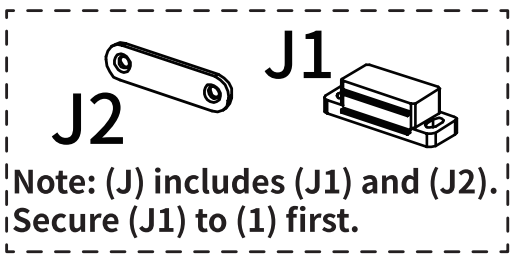


Φ8x40mm

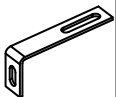
Insert (C) into (3) (4) (5).

Insert two (12) into the grooves of (3) (4) (5) and (6).

5

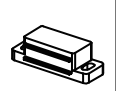


Q×2



J1×4

N×2



M4x12mm

A×6

G×8



M6x27.5mm

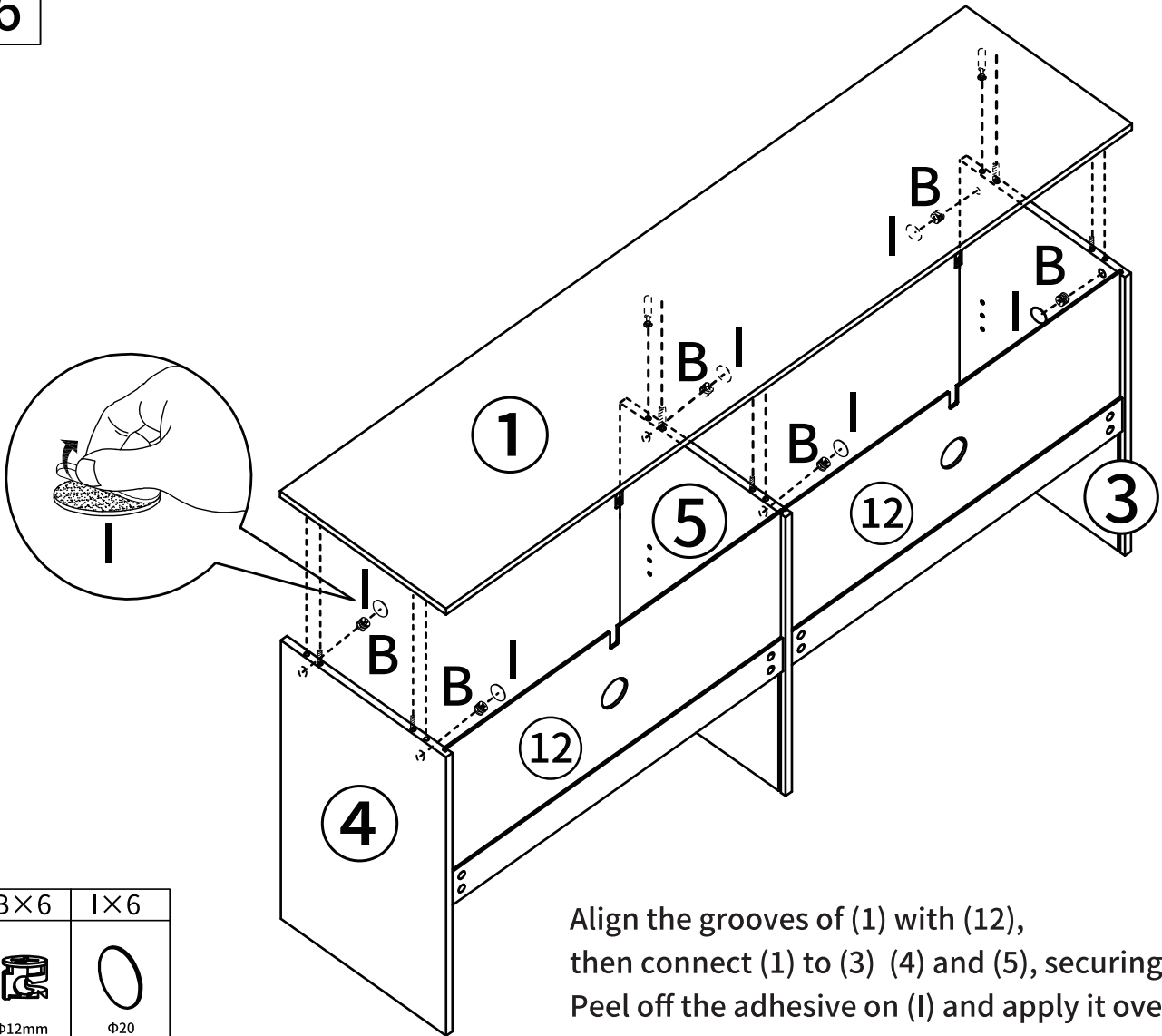
M3.5x14mm

Screw (A) into (1).

Pass (N) through (Q) and secure it to (1).

Pass (G) through (J1) and secure it to (1).

6



B×6

I×6



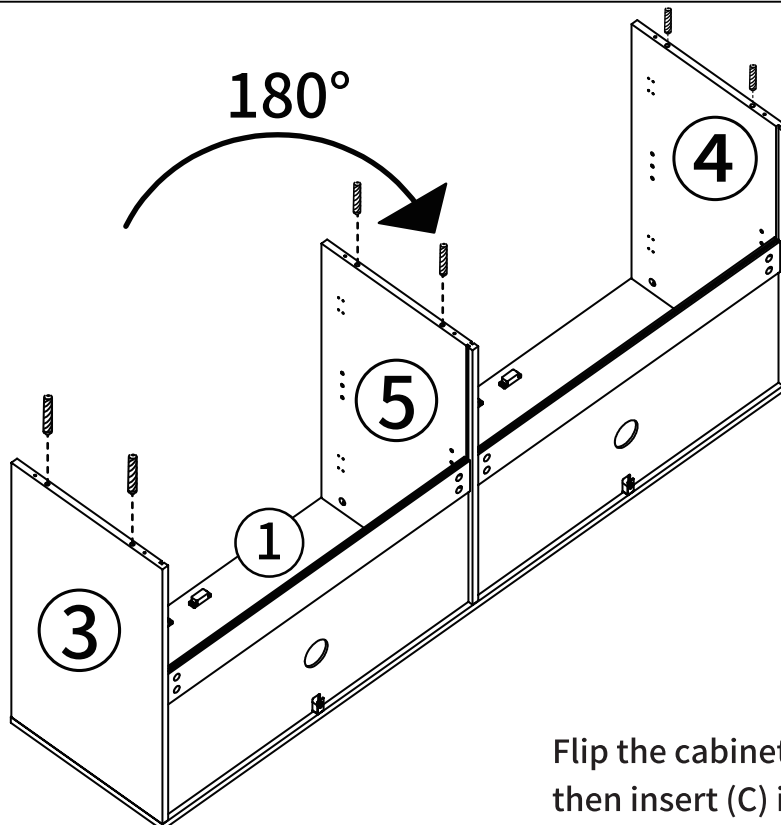
Φ12mm



Φ20

Align the grooves of (1) with (12), then connect (1) to (3) (4) and (5), securing it with (B). Peel off the adhesive on (I) and apply it over (B).

7



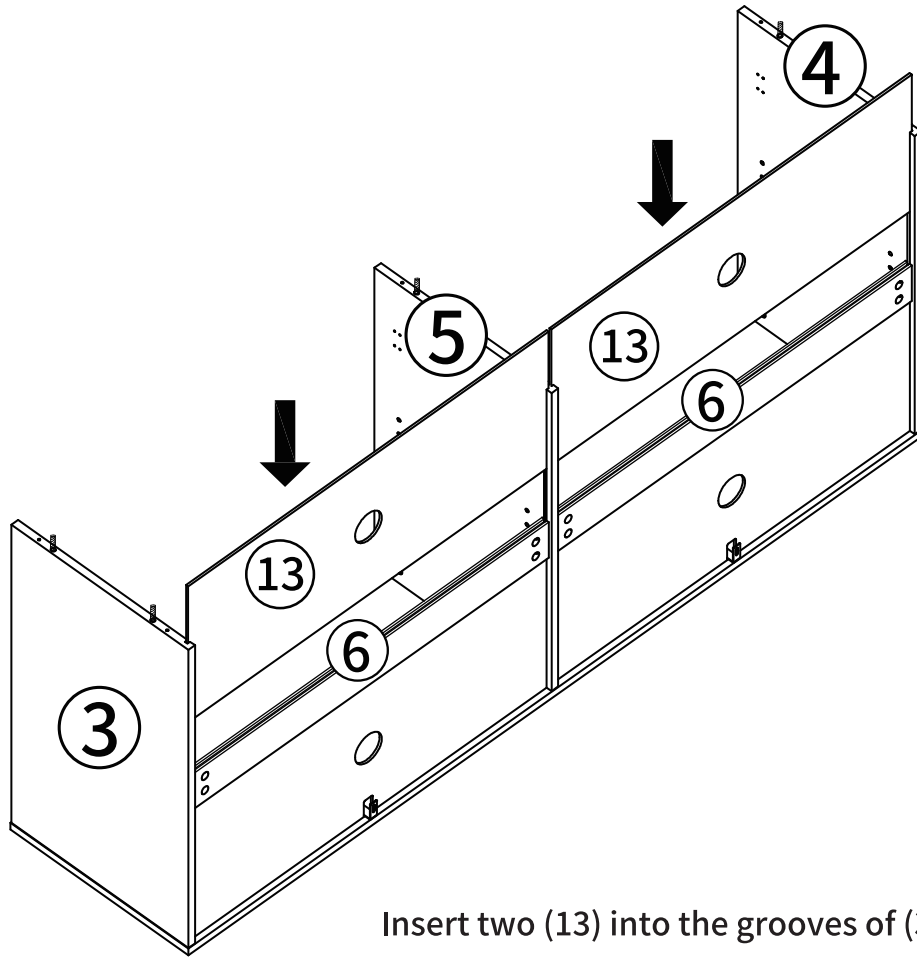
C×6



Φ8x40mm

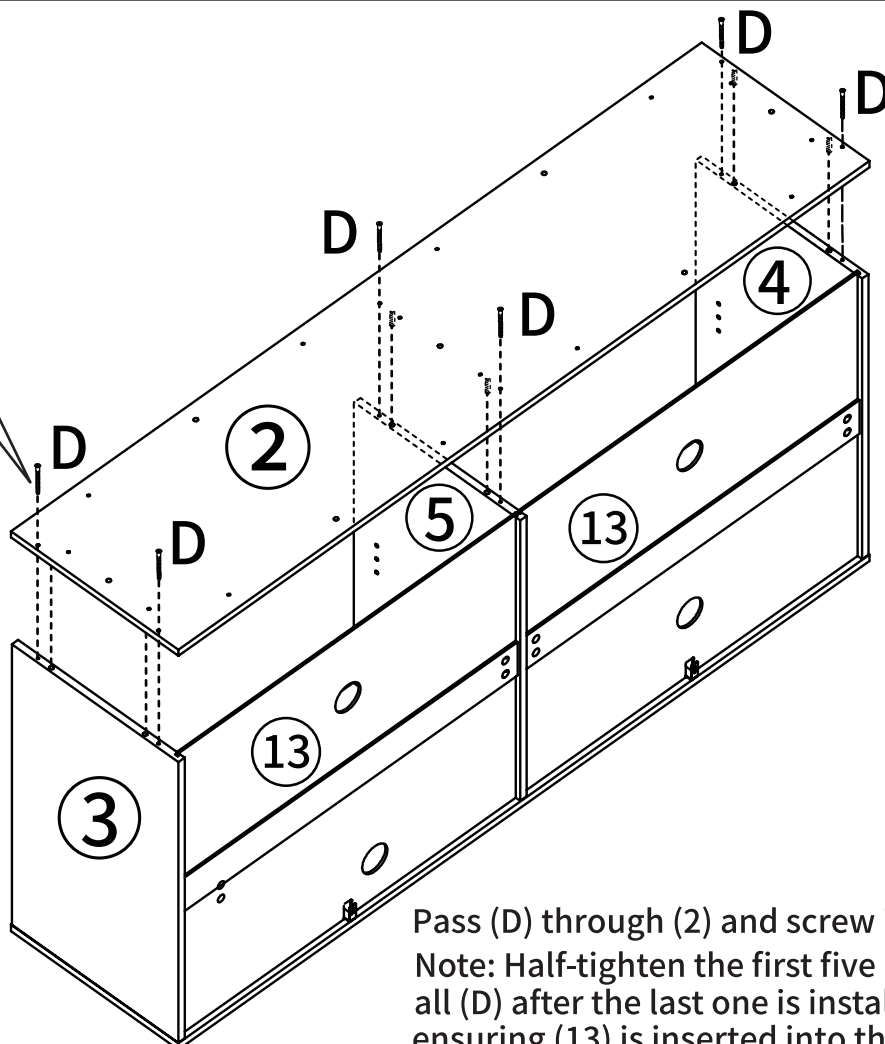
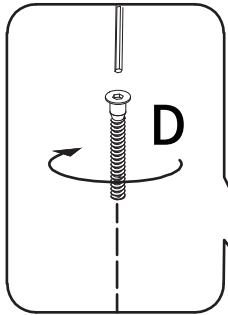
Flip the cabinet upside down, then insert (C) into (3) (4) and (5).

8



Insert two (13) into the grooves of (3) (4) (5) and (6).

9



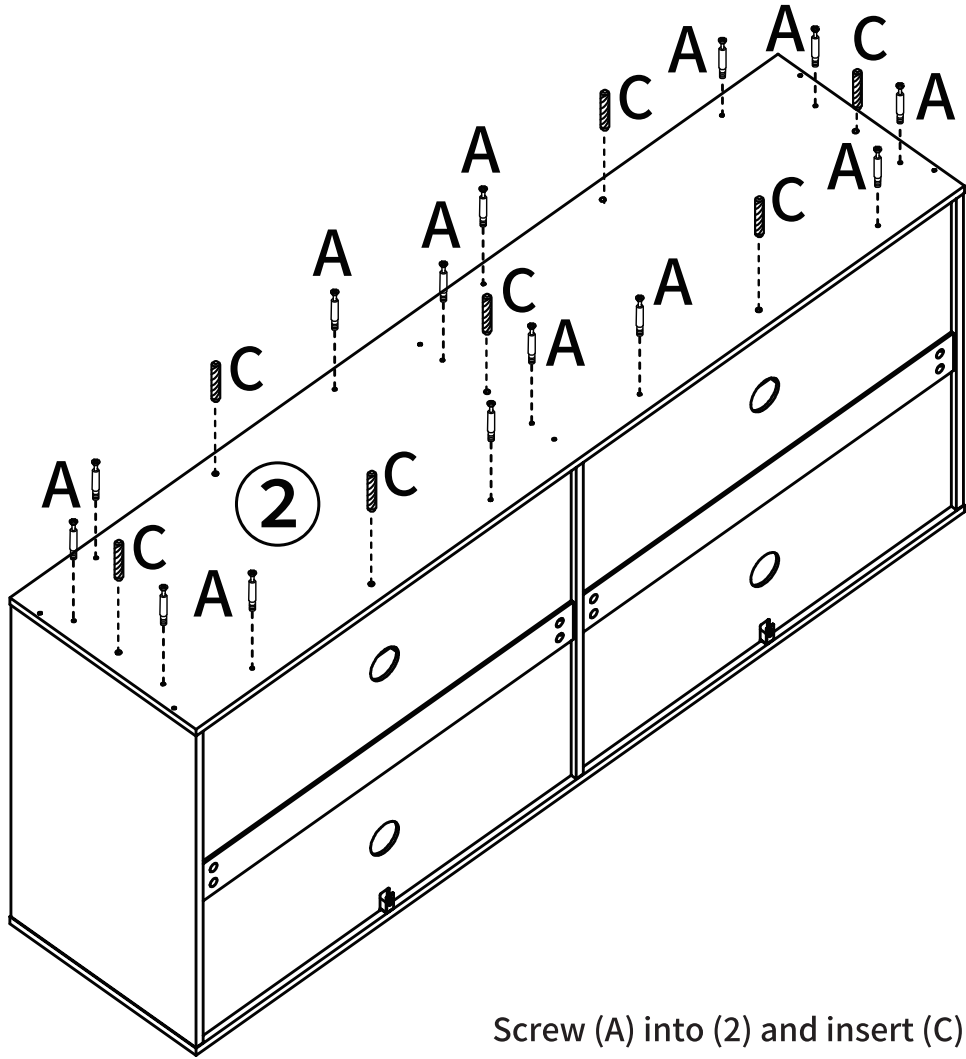
Pass (D) through (2) and screw it into (3) (4) and (5),
 Note: Half-tighten the first five (D). Fully tighten
 all (D) after the last one is installed.
 ensuring (13) is inserted into the groove of (2).

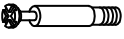

D×6



M6.3x40mm

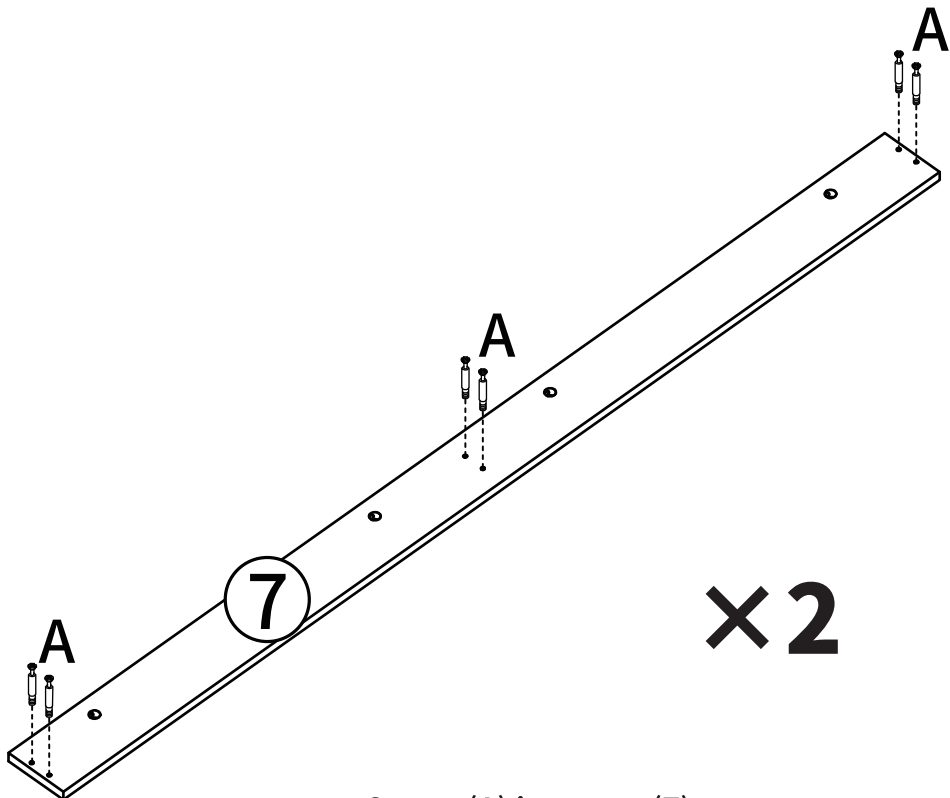
10

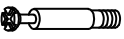


A×14	C×7
	
M6x27.5mm	Φ8x40mm

Screw (A) into (2) and insert (C) into (2).

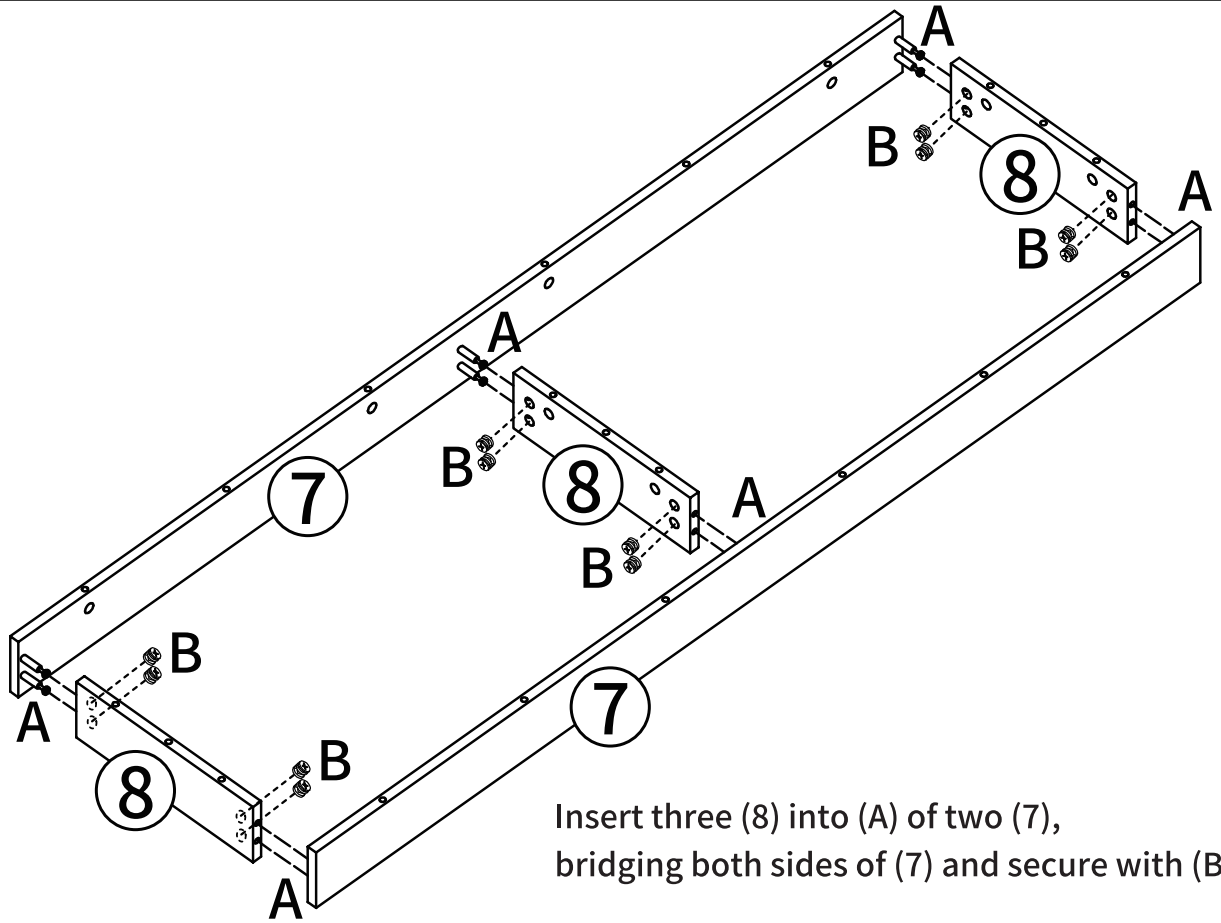
11



A×12

M6x27.5mm

Screw (A) into two (7).

12



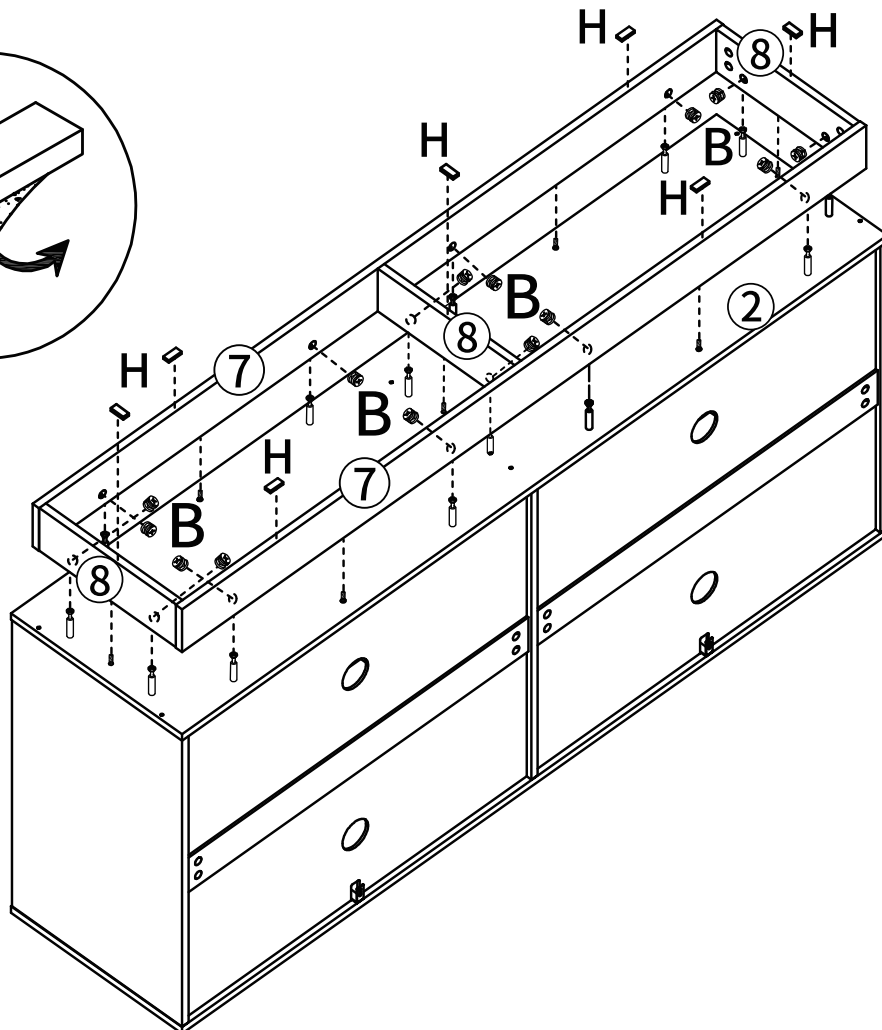
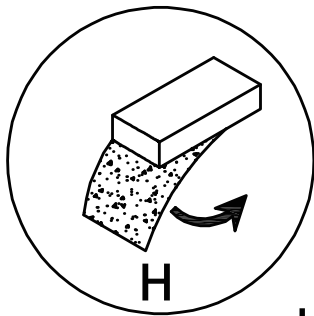
B×12



Φ12mm

Insert three (8) into (A) of two (7), bridging both sides of (7) and secure with (B).

13



B×14

H×7

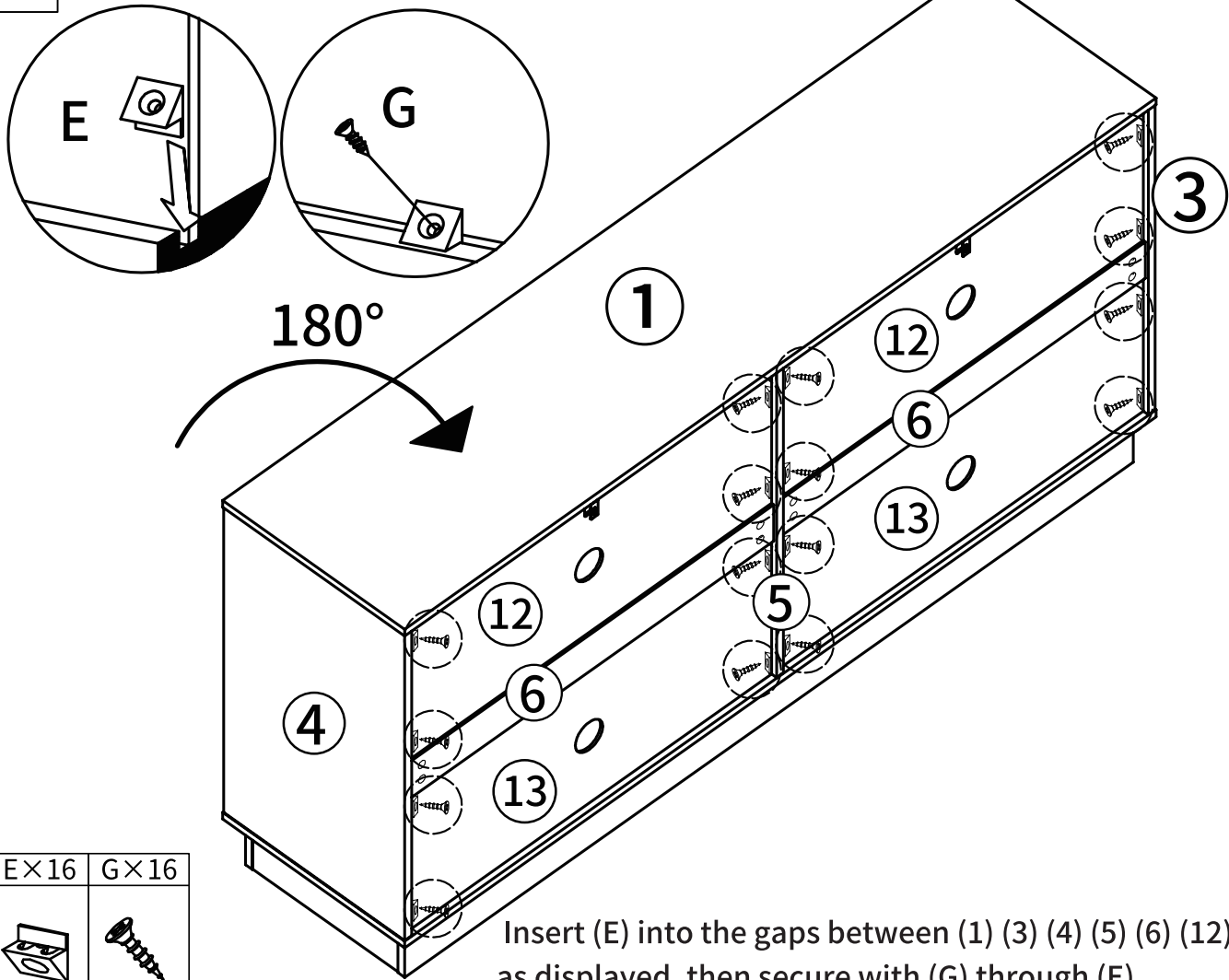


Φ12mm



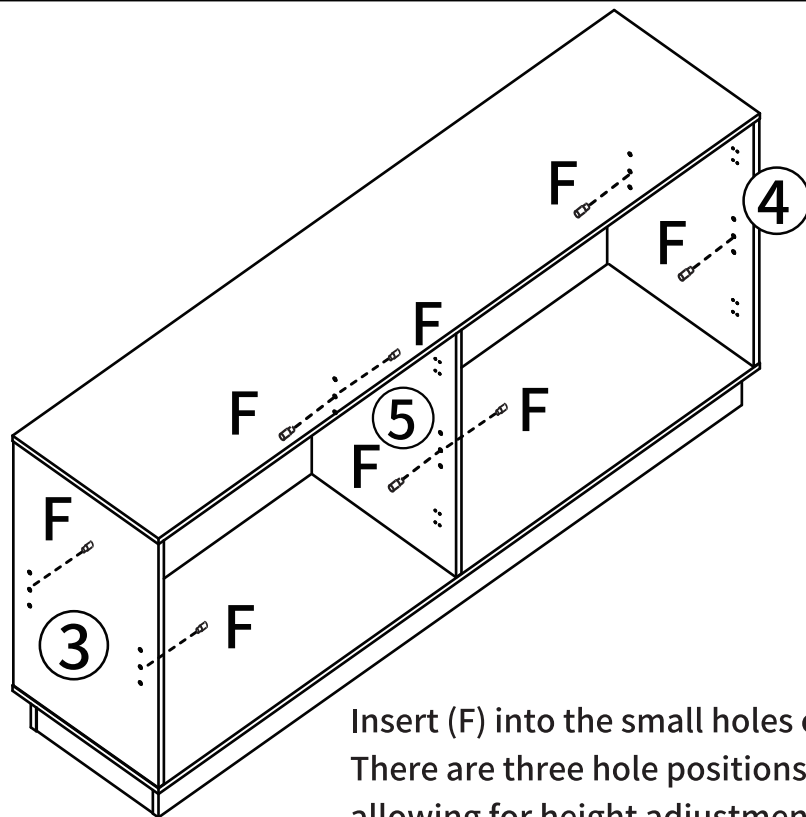
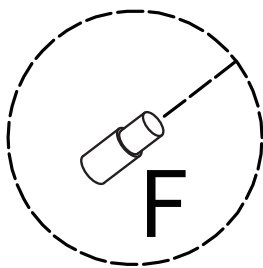
Connect (7) and (8) to (2), securing them with (B).
Peel off the adhesive on (H) and attach it to (7) and (8) as displayed.

14



Insert (E) into the gaps between (1) (3) (4) (5) (6) (12) and (13), as displayed, then secure with (G) through (E).

15

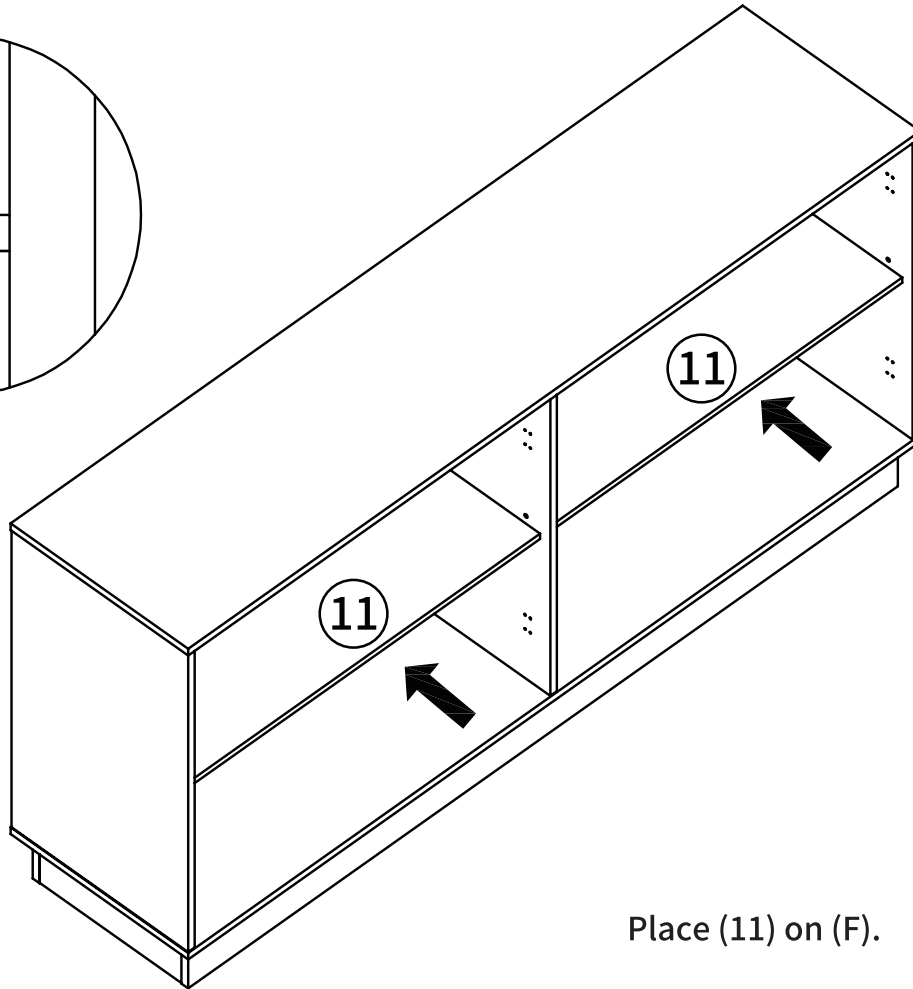
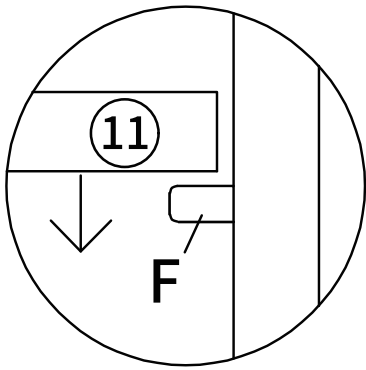


Insert (F) into the small holes on (3) (4) and (5). There are three hole positions available, allowing for height adjustment as needed.

F x 8

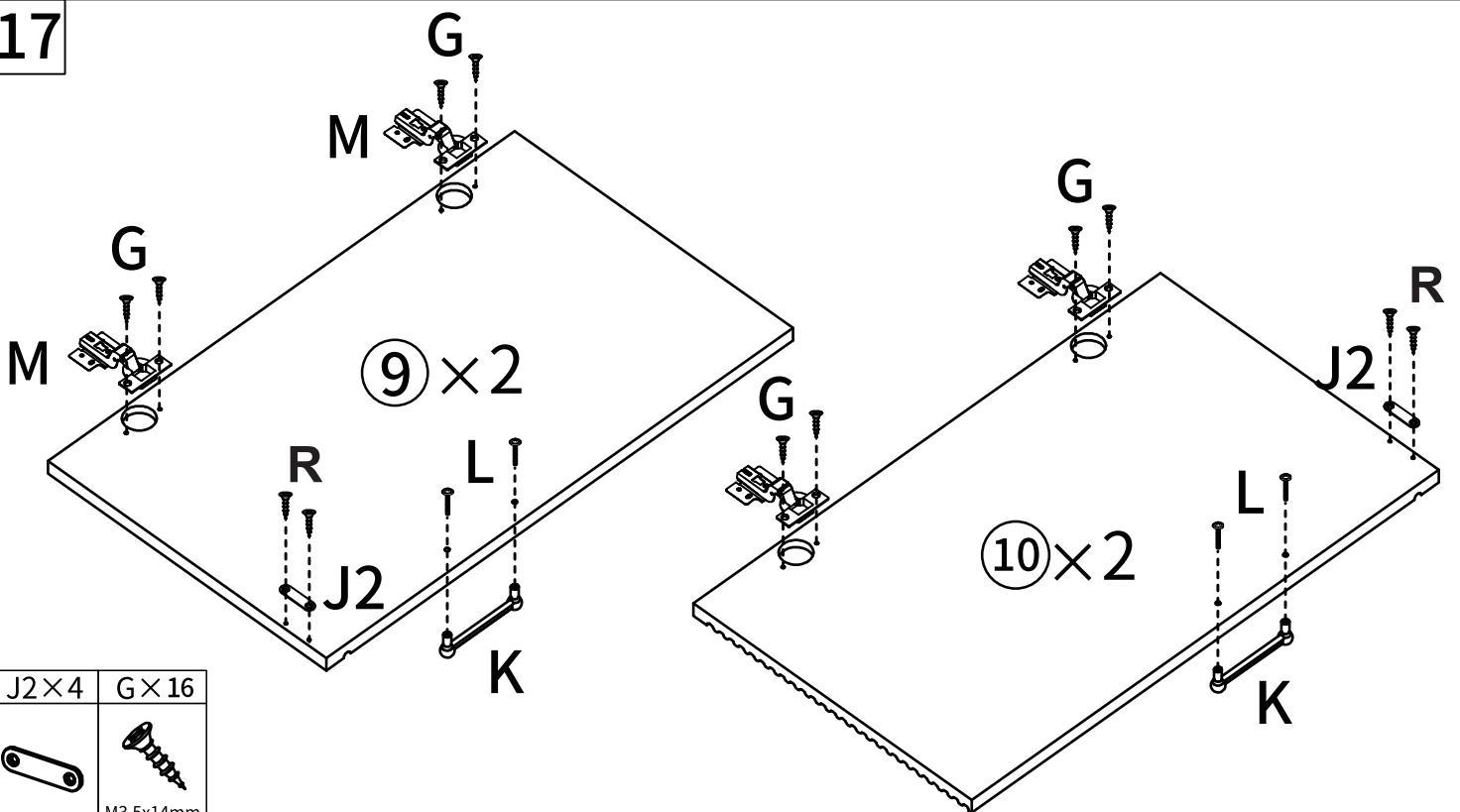


16



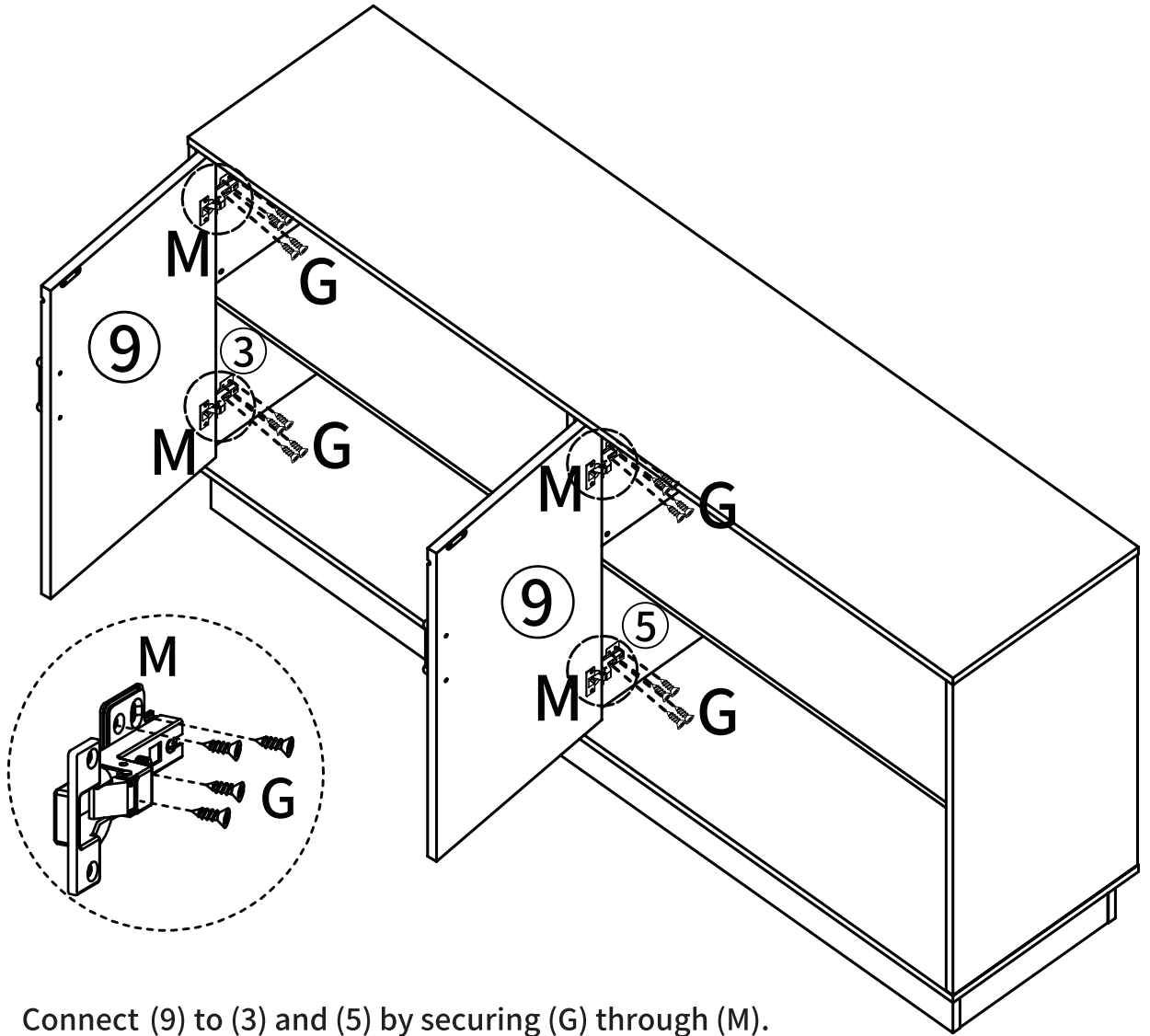
Place (11) on (F).

17



J2 × 4	G × 16		
	M3.5x14mm		
K × 4	L × 8	M × 8	R × 8
	M4x18mm		M3x12mm

Pass (R) through (J2) and secure it to (9) and (10).
 Pass (G) through (M) and secure it to (9) and (10).
 Connect (K) with (9) and (10) by securing (L).

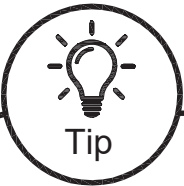


G×16

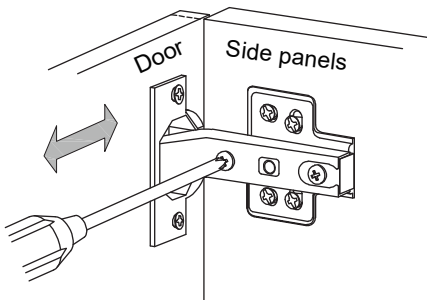


M3.5x14mm

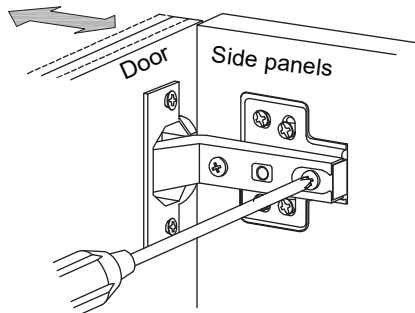
Connect (9) to (3) and (5) by securing (G) through (M).



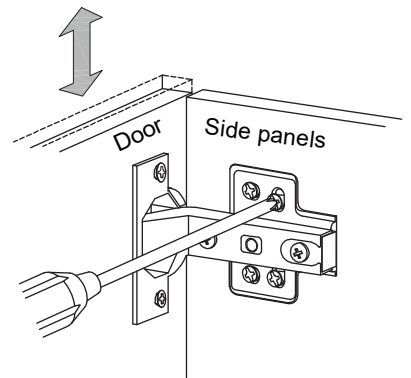
Tip



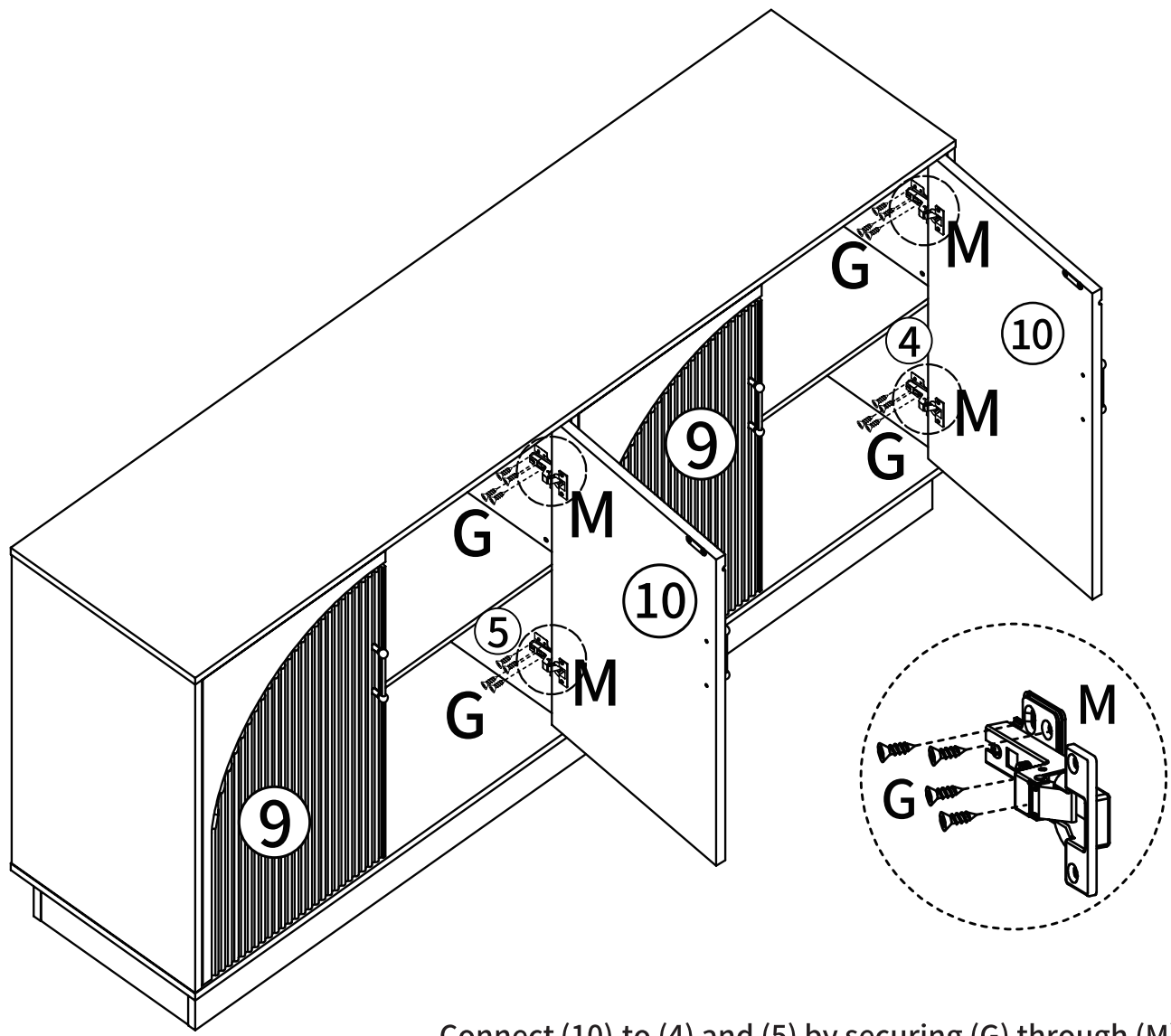
Adjust horizontal width with this screw.



Adjust depth position by loosening the hinge arm mounting screw.



Adjust vertical height via the screws in the mounting plate.

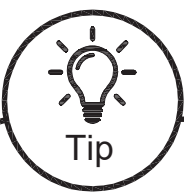


G×16

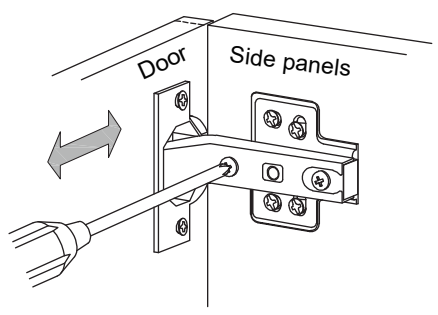


M3.5x14mm

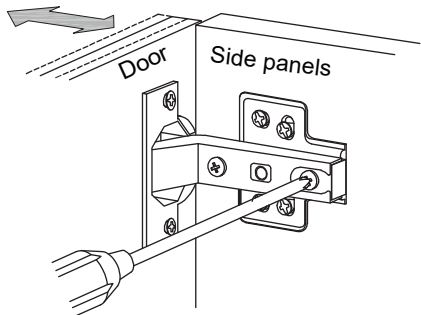
Connect (10) to (4) and (5) by securing (G) through (M).



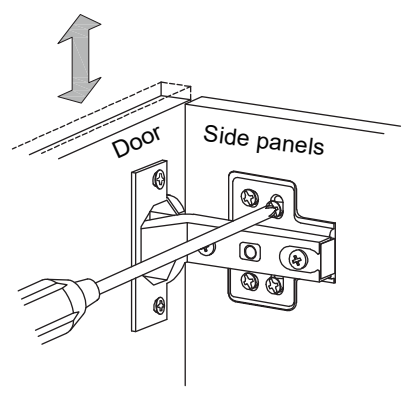
Tip



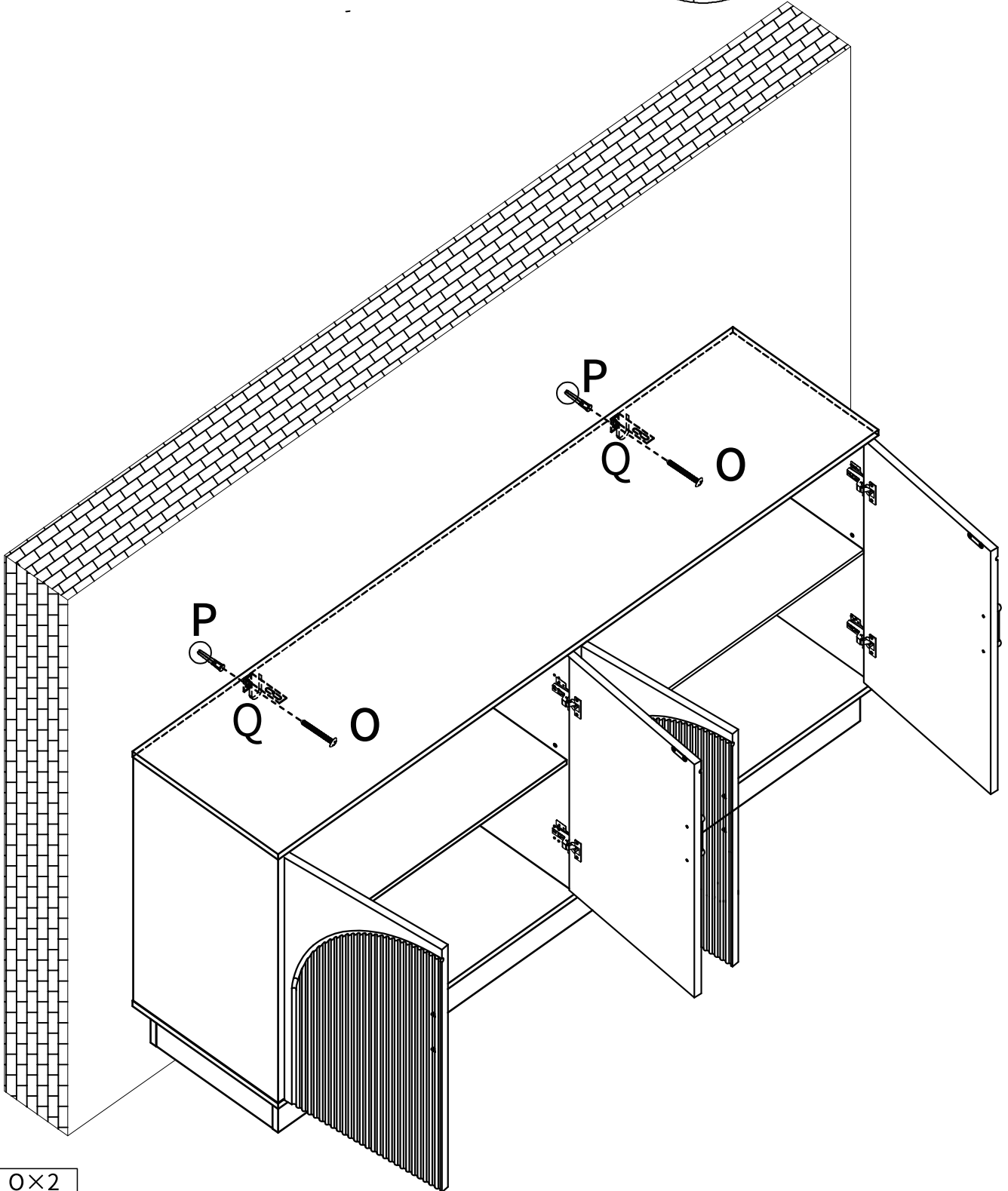
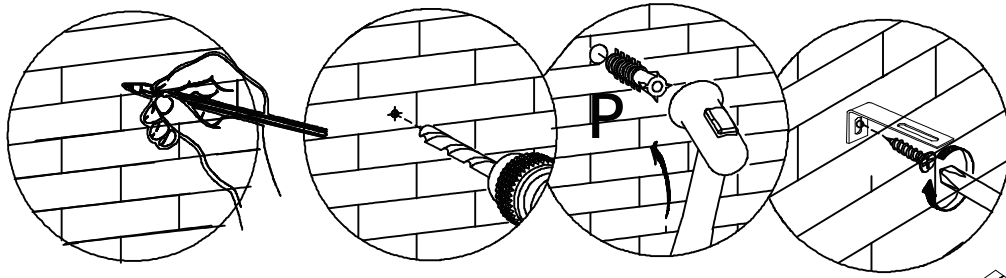
Adjust horizontal width with this screw.



Adjust depth position by loosening the hinge arm mounting screw.



Adjust vertical height via the screws in the mounting plate.



P×2

O×2



M4x40mm

Mark the drilling position on the wall, drill a hole, and insert (P).
Pass (O) through (Q) and screw it into (P).