

Vanity Desk

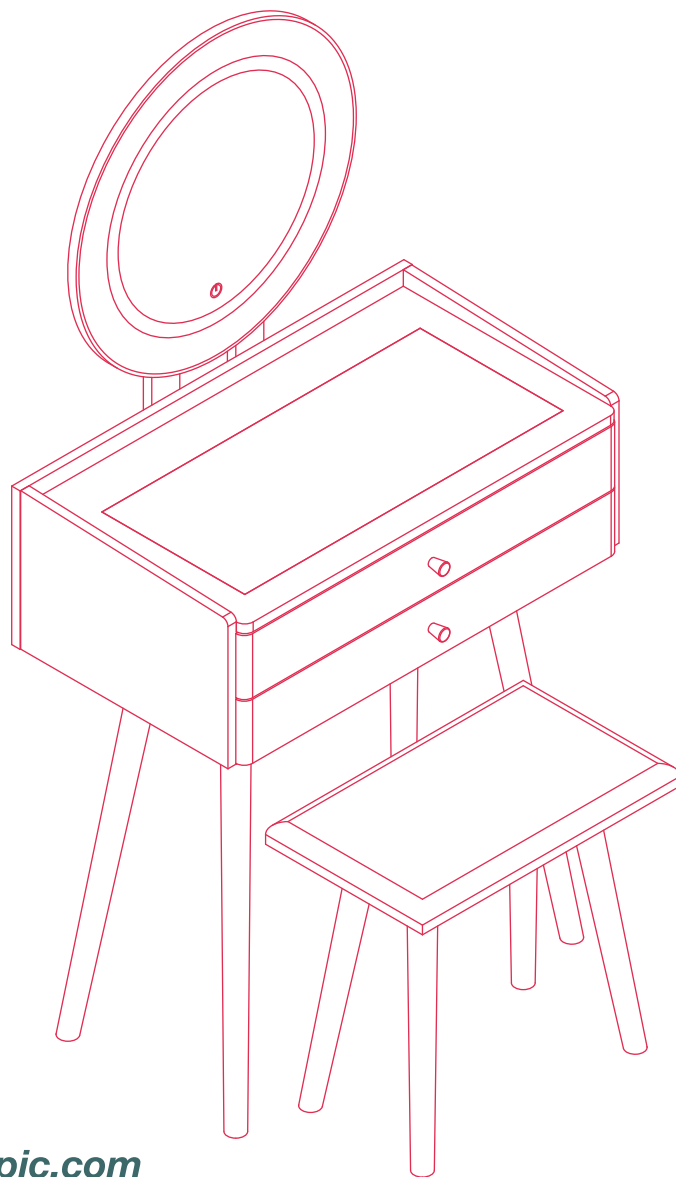
Thank you very much for purchasing our product.

INSTRUCTION MANUAL

La Coiffeuse

Merci beaucoup d'avoir acheté notre coiffeuse.

MANUEL D'INSTRUCTIONS



- E-mail
support@pamapic.com

- Facebook
[@pamapic.official](https://www.facebook.com/pamapic.official)

Instruction
Video
▶
Vidéo
d'instruction



If you have any question please
contact customer service:

E-mail: support@pamapic.com
Facebook: [@pamapic.official](https://www.facebook.com/pamapic.official)

Instruction
Video



! WARNING:

- Please read and understand this entire manual before attempting to assemble or install the product.
- Some parts may contain sharp edges. Please wear protective gloves when assemble or install the product.
- Assemble the item on a soft, non-abrasive surface such as carpeting to avoid damage.
- Keep all children and pets away from assembly area. Children and pets should be supervised when they are in the area of installation.
- Do not use or store this item in the proximity of open flame or flammable/-combustible chemicals.

NOTES:

- Item is heavy. Please handle with care. Two or more people are required for this assembly.
- The product is for normal use only. Do not stand on or use any part of this item as a step ladder.
- During assembly please take care not to over-tighten any fittings, as this may damage the product.
- If there are defective or missing parts after unpacking, please contact us immediately.
- Keep away from exposure and heat sources. Place it in a dry area to avoid peeling or fading.
- Use soft cloth and neutral detergent to wipe it clean, then wipe dry. Do not use an abrasive agent to wipe the product.

If you have any question please
contact customer service:

E-mail: support@pamapic.com
Facebook: [@pamapic.official](https://www.facebook.com/pamapic.official)

Instruction
Video
▼



! WARNUNG:

- Bitte lesen und verstehen Sie diese gesamte Anleitung, bevor Sie mit der Montage oder Installation des Produkts beginnen.
- Einige Teile können scharfe Kanten aufweisen. Tragen Sie bitte Schutzhandschuhe, wenn Sie das Produkt montieren oder installieren.
- Montieren Sie das Produkt auf einer weichen, nicht scheuernden Oberfläche wie einem Teppich, um Beschädigungen zu vermeiden.
- Halten Sie alle Kinder und Haustiere vom Montagebereich fern. Kinder und Haustiere sollten beaufsichtigt werden, wenn sie sich im Installationsbereich aufhalten.
- Nicht in der Nähe von offenen Flammen oder brennbaren/entzündlichen Chemikalien verwenden oder lagern.

HINWEISE:

- Der Artikel ist schwer. Bitte gehen Sie vorsichtig damit um. Für die Montage sind mindestens zwei Personen erforderlich.
- Das Produkt ist nur für den normalen Gebrauch geeignet. Steigen Sie nicht auf ihn und verwenden Sie ihn nicht als Trittleiter.
- Achten Sie beim Zusammenbau darauf, die Befestigungen nicht zu fest anzuziehen, da dies zu Schäden am Produkt führen kann.
- Sollten nach dem Auspacken defekte oder fehlende Teile festgestellt werden, kontaktieren Sie uns bitte umgehend.
- Halten Sie das Produkt von Sonneneinstrahlung und Wärmequellen fern. Stellen Sie es an einem trockenen Ort auf, um Abblättern oder Ausbleichen zu vermeiden.
- Verwenden Sie zum Reinigen ein weiches Tuch und ein neutrales Reinigungsmittel und wischen Sie das Produkt anschließend trocken. Verwenden Sie zum Reinigen keine Scheuermittel.

If you have any question please
contact customer service:

E-mail: support@pamapic.com
Facebook: [@pamapic.official](https://www.facebook.com/pamapic.official)

Instruction
Video
▼



! AVERTISSEMENT :

- Veuillez lire attentivement ce manuel avant d'assembler ou d'installer le produit.
- Certaines pièces peuvent présenter des bords tranchants. Veuillez porter des gants de protection lors de l'assemblage ou de l'installation du produit.
- Assemblez l'article sur une surface douce et non abrasive, comme de la moquette, pour éviter tout dommage.
- Tenez les enfants et les animaux domestiques éloignés de la zone d'assemblage. Les enfants et les animaux doivent être surveillés lorsqu'ils se trouvent dans la zone d'installation.
- N'utilisez pas et ne stockez pas cet article à proximité d'une flamme nue ou de produits chimiques inflammables/combustibles.

REMARQUES :

- L'article est lourd. Veuillez le manipuler avec précaution. Deux personnes ou plus sont nécessaires pour le montage.
- Le produit est destiné à un usage normal uniquement. Ne montez pas dessus et n'utilisez aucune partie de cet article comme escabeau.
- Lors du montage, veillez à ne pas trop serrer les fixations, car cela pourrait endommager le produit.
- Si des pièces sont défectueuses ou manquantes après le déballage, veuillez nous contacter immédiatement.
- Tenez à l'écart des sources de chaleur et d'exposition. Placez dans un endroit sec pour éviter tout décollement ou décoloration.
- Nettoyez avec un chiffon doux et un détergent neutre, puis sécher. Ne pas utiliser d'agent abrasif.

If you have any question please
contact customer service:

E-mail: support@pamapic.com
Facebook: [@pamapic.official](https://www.facebook.com/pamapic.official)

Instruction
Video



! AVVERTENZA:

- Leggere attentamente e comprendere l'intero manuale prima di procedere al montaggio o all'installazione del prodotto.
- Alcune parti potrebbero presentare spigoli vivi. Indossare guanti protettivi durante il montaggio o l'installazione del prodotto.
- Montare l'articolo su una superficie morbida e non abrasiva, come un tappeto per evitare danni.
- Tenere bambini e animali domestici lontani dall'area di assemblaggio. I bambini e gli animali domestici devono essere sorvegliati quando si trovano nell'area di installazione.
- Non utilizzare o conservare questo articolo in prossimità di fiamme libere o sostanze chimiche infiammabili/combustibili.

NOTE:

- L'articolo è pesante. Maneggiare con cura. Sono necessarie due o più persone per il montaggio.
- Il mobile è destinato esclusivamente allo stocc. Non salire o utilizzare alcuna parte di questo articolo come scaletta.
- Durante il montaggio, fare attenzione a non serrare eccessivamente i raccordi, poiché ciò potrebbe danneggiare il prodotto.
- Se dopo aver disimballato il prodotto si riscontrano parti difettose o mancanti, contattarci immediatamente.
- Tenere lontano dall'esposizione e da fonti di calore. Riporre in un luogo asciutto per evitare che si sfaldi o scolorisca.
- Pulire con un panno morbido e un detergente neutro, quindi asciugare. Non utilizzare agenti abrasivi per pulire il prodotto.

If you have any question please
contact customer service:

E-mail: support@pamapic.com
Facebook: [@pamapic.official](https://www.facebook.com/pamapic.official)

Instruction
Video



⚠ ADVERTENCIA:

- Lea y comprenda completamente este manual antes de intentar ensamblar o instalar el producto.
- Algunas piezas pueden tener bordes afilados. Use guantes protectores al ensamblar o instalar el producto.
- Ensamble el producto sobre una superficie suave y no abrasiva, como una alfombra, para evitar daños.
- Mantenga a los niños y mascotas alejados del área de ensamblaje. Los niños y las mascotas deben estar supervisados cuando se encuentren en el área de instalación.
- No utilice ni almacene este producto cerca de llamas abiertas ni de productos químicos inflamables/combustibles.

NOTAS:

- El artículo es pesado. Manipúlelo con cuidado. Se requieren dos o más personas para el montaje.
- El producto es solo para uso normal.. No se suba ni utilice ninguna parte de este artículo como escalera.
- Durante el montaje, tenga cuidado de no apretar demasiado los herrajes, ya que esto podría dañar el producto.
- Si encuentra piezas defectuosas o faltantes después de desembalarlo, contáctenos de inmediato.
- Manténgalo alejado de la exposición y de fuentes de calor. Colóquelo en un lugar seco para evitar que se despegue o decolore.
- Use un paño suave y detergente neutro para limpiarlo y luego séquelo. No utilice productos abrasivos para limpiar el producto.

If you have any question please
contact customer service:

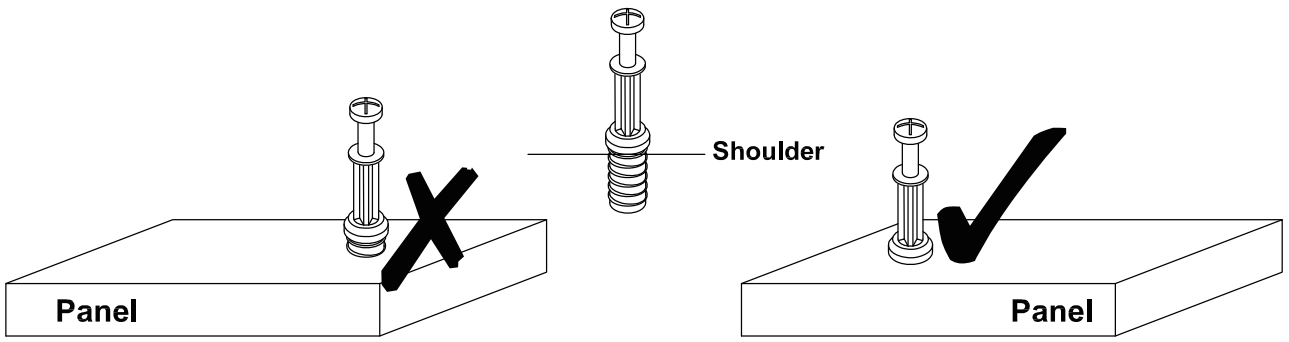
E-mail: support@pamapic.com
Facebook: [@pamapic.official](https://www.facebook.com/pamapic.official)

Instruction
Video
▼



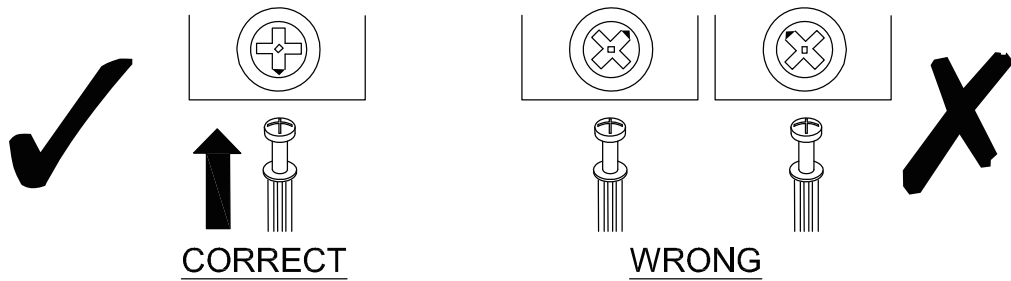
Note:

QUICKFIT



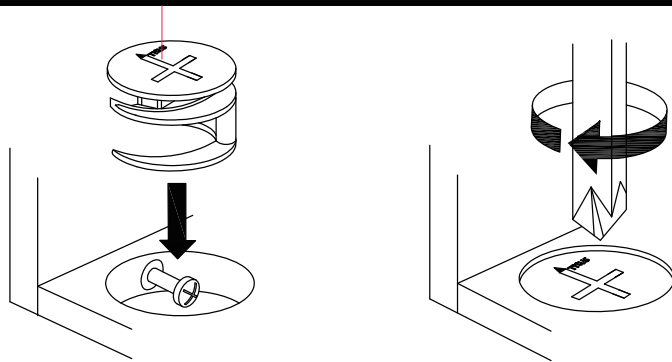
Tighten quickfit until shoulder is flush with panel. Do not overtighten or undertighten.

CAM LOCK



When fitting cam lock, ensure starting position is correct before you insert connecting quickfit.

Quickfit head should be in the centre line of the cam lock when the two panels are joined. Cam lock should be inserted before quickfit.



Turn cam lock clockwise to tighten.

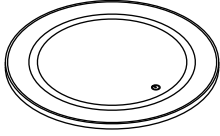
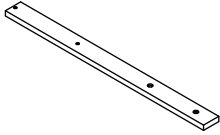
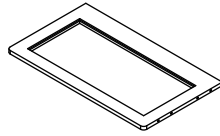
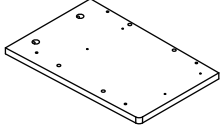
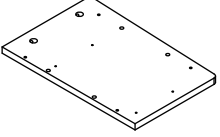
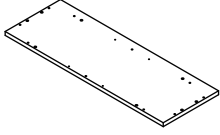
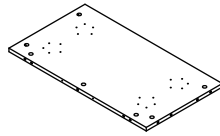
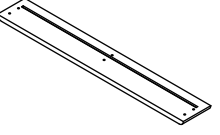
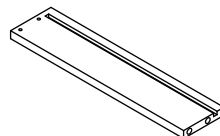
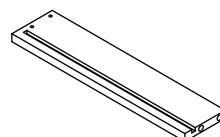
If you have any question please contact customer service:

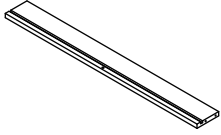
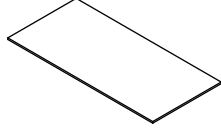
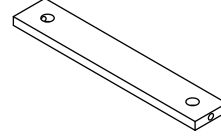
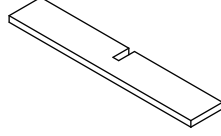
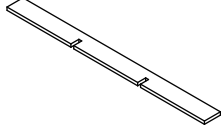
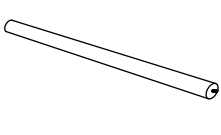
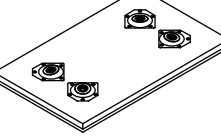
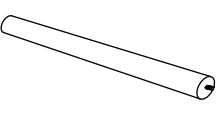
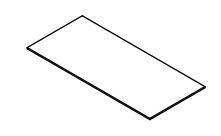
E-mail: support@pamapic.com
Facebook: [@pamapic.official](https://www.facebook.com/pamapic.official)

Instruction Video



PARTS

Item no. Nr. N° d'article Articolo No. Artículo No.	Reference Image Referenzbild Image de référence Immagine di riferimento Imagen de referencia	Qty. Menge Qté. Qtà Cant.
1		x1
2		x2
3		x1
4		x1
5		x1
6		x1
7		x1
8		x2
9		x2
10		x2

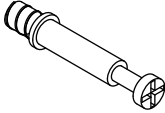

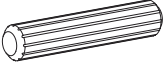

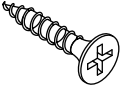



Item no. Nr. N° d'article Articolo No. Artículo No.	Reference Image Referenzbild Image de référence Immagine di riferimento Imagen de referencia	Qty. Menge Qté. Qtà Cant.
11		x2
12		x2
13		x2
14		x2
15		x1
16		x4
17		x1
18		x4
19		x1

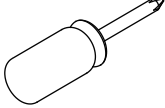
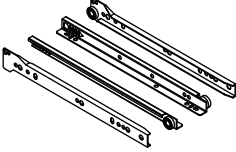
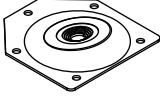
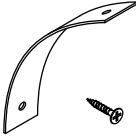


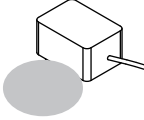
If you have any question please contact customer service:

E-mail: support@pamapic.com
Facebook: [@pamapic.official](https://www.facebook.com/pamapic.official)

Instruction Video



Item no. Nr. N° d'article Articolo No. Artículo No.	Reference Image Referenzbild Image de référence Immagine di riferimento Imagen de referencia	Qty. Menge Qté. Qtà Cant.
Ⓐ		x30+2
Ⓑ		x30+2
Ⓒ		x16+2
Ⓓ	 M3.5x12mm	x16+1
Ⓔ	 M3.5x15mm	x20+2
Ⓕ	 M3.5x35mm	x12+1
Ⓖ	 M6x20mm	x4+1
Ⓕ		x2

Item no. Nr. N° d'article Articolo No. Artículo No.	Reference Image Referenzbild Image de référence Immagine di riferimento Imagen de referencia	Qty. Menge Qté. Qtà Cant.
Ⓡ		x1
Ⓙ		x2
Ⓚ		x4
Ⓛ		x2
Ⓜ		x2
Ⓝ		x30+2
Ⓞ		x1

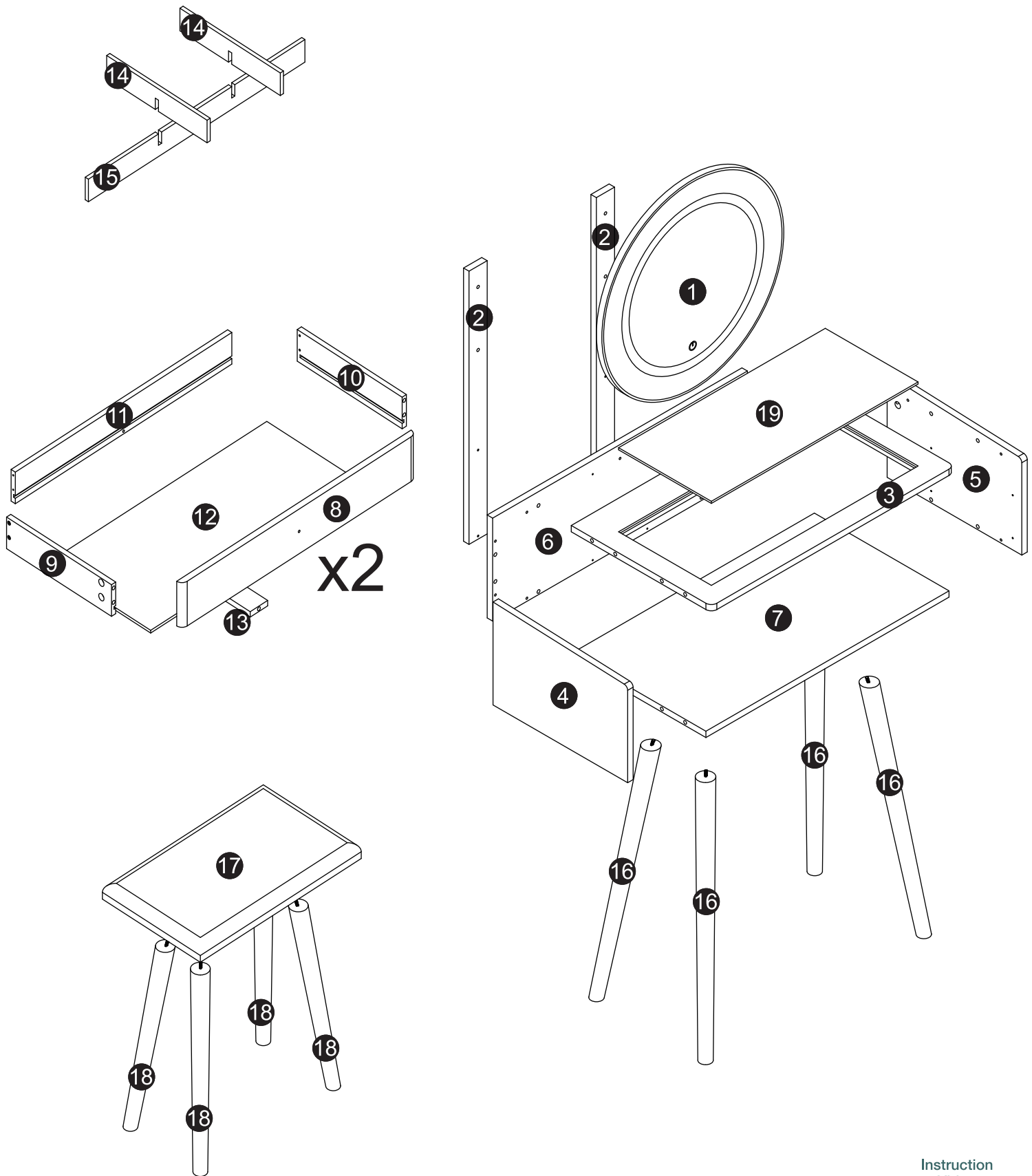
If you have any question please
contact customer service:

E-mail: support@pamapic.com
Facebook: @pamapic.official

Instruction
Video



EXPLODED VIEW



If you have any question please
contact customer service:

E-mail: support@pamapic.com
Facebook: [@pamapic.official](https://www.facebook.com/pamapic.official)

Instruction
Video

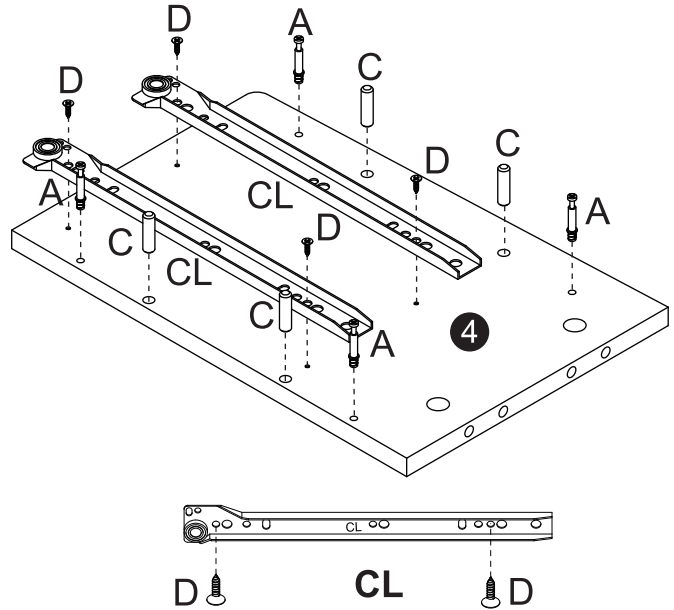
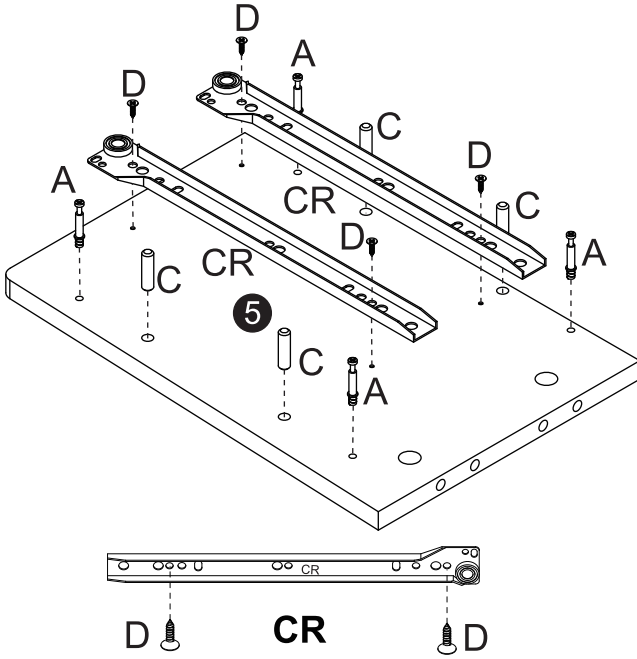


ASSEMBLY

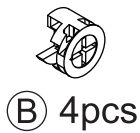
1



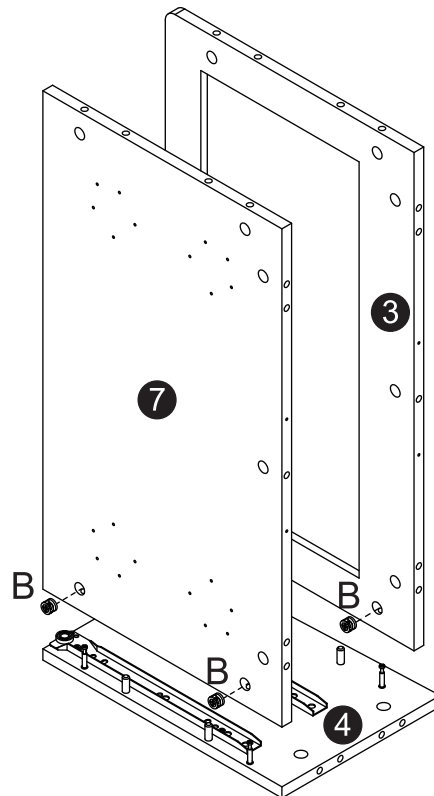
Pre - drive A and C into marked spots on ④ and ⑤.
 Connect 2 CL slide rails to ④, and connect 2 CR slide rails to ⑤ with D screws, as shown.



2



Align holes on ③, ⑦ to pre-assembled ④ (with A&C). Insert to lock, then attach B at joints to reinforce.



If you have any question please contact customer service:

E-mail: support@pamapic.com
Facebook: [@pamapic.official](https://www.facebook.com/pamapic.official)

Instruction Video

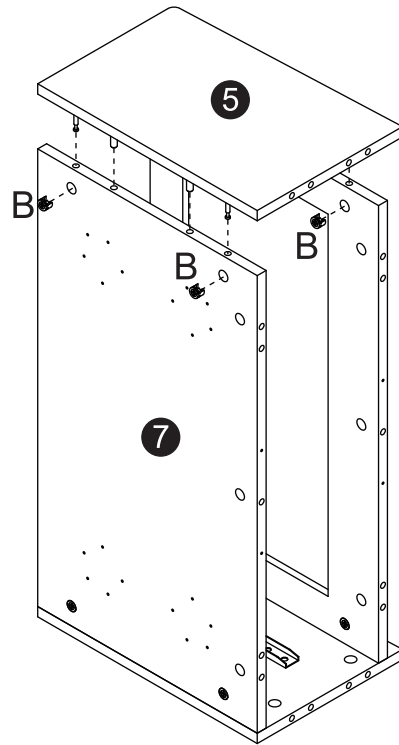


3



ⓑ 4pcs

Align pre - assembled ⑤ (with A&C) to holes on ③, ⑦. Insert to lock, then attach B at joints to reinforce.



4

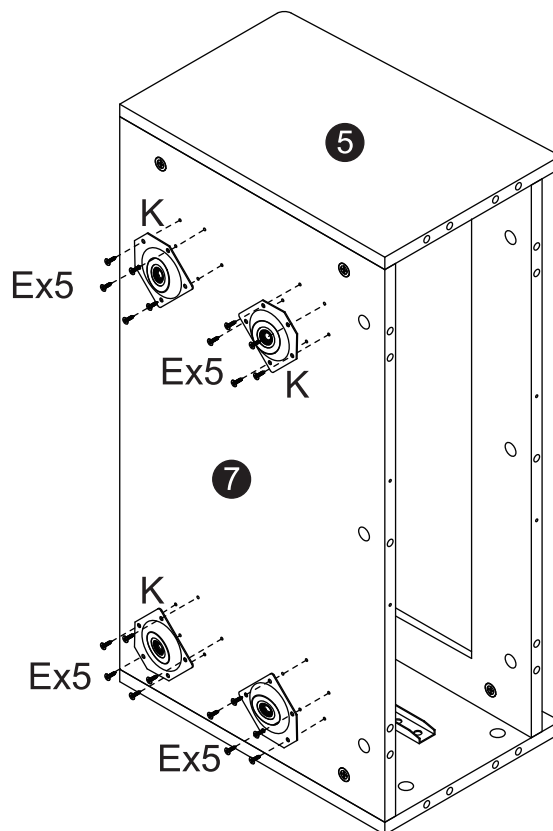


Ⓚ 4pcs



ⓔ 20pcs

Attach K to ⑦ with E screws.



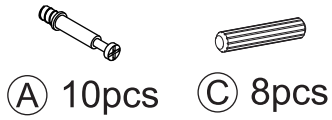
If you have any question please contact customer service:

E-mail: support@pamapic.com
Facebook: [@pamapic.official](https://www.facebook.com/pamapic.official)

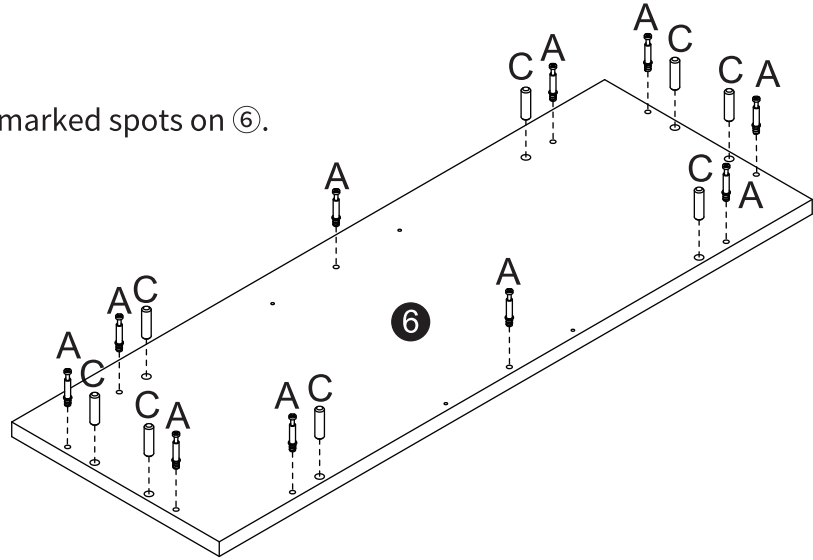
Instruction Video



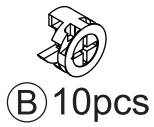
5



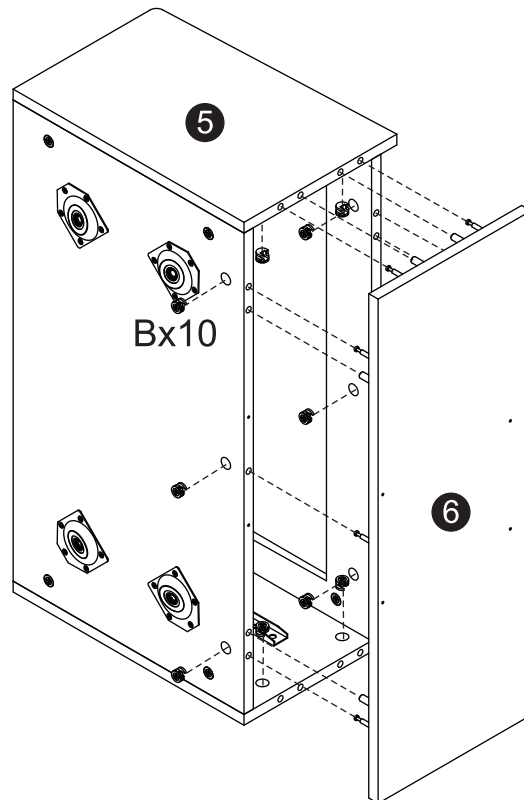
Pre - drive A and C into marked spots on ⑥.



6



Align pre - assembled ⑥ (with A&C) to holes on ③, ⑦. Insert to lock, then attach B at joints to reinforce.



Instruction Video

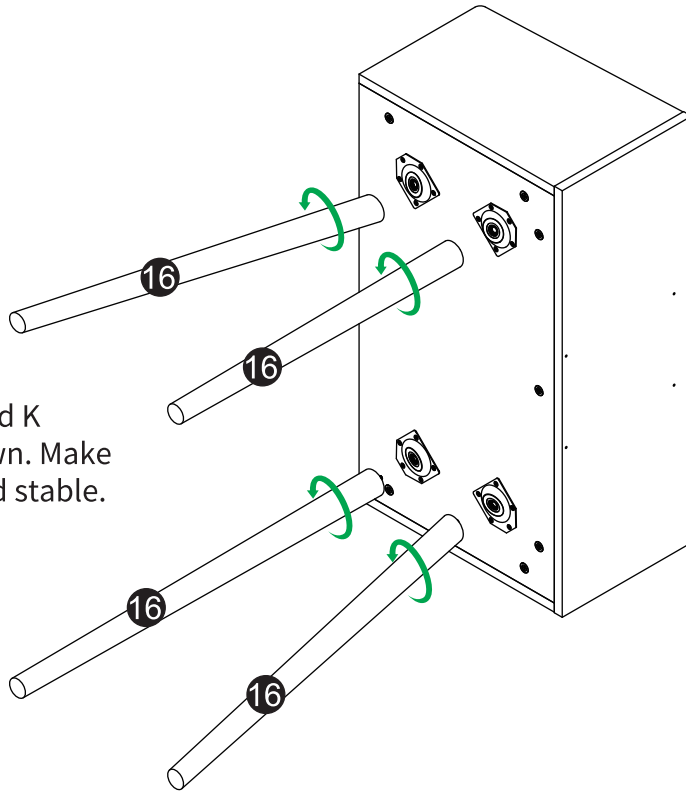


If you have any question please contact customer service:

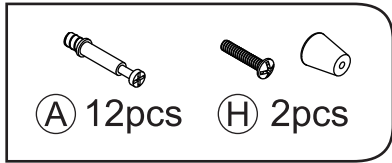
E-mail: support@pamapic.com
Facebook: [@pamapic.official](https://www.facebook.com/pamapic.official)

7

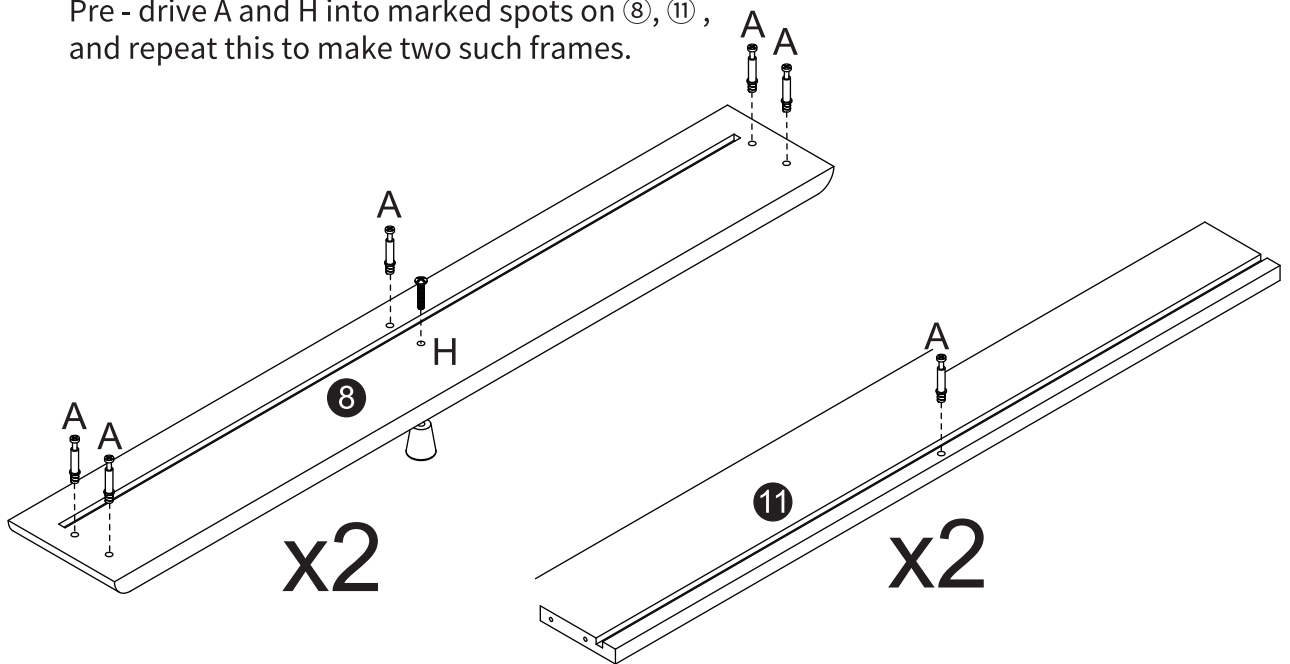
Insert ⑩ into the pre - installed K connectors on part ⑦, as shown. Make sure they are fully inserted and stable.



8



Pre - drive A and H into marked spots on ⑧, ⑪, and repeat this to make two such frames.



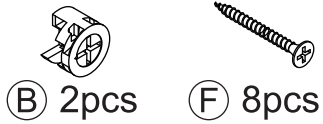
If you have any question please contact customer service:

E-mail: support@pamapic.com
Facebook: [@pamapic.official](https://www.facebook.com/pamapic.official)

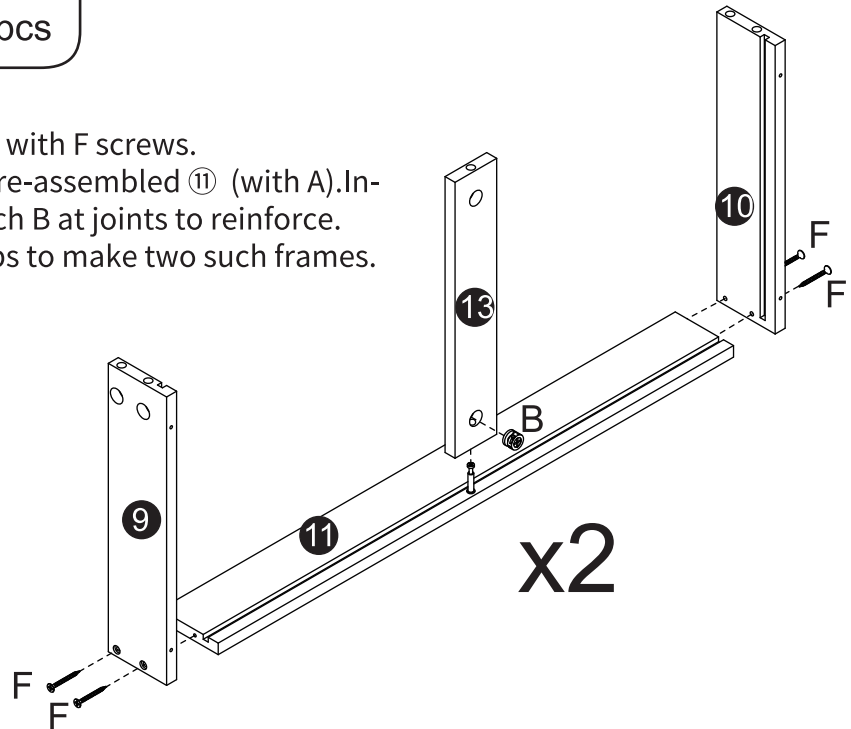
Instruction Video



9

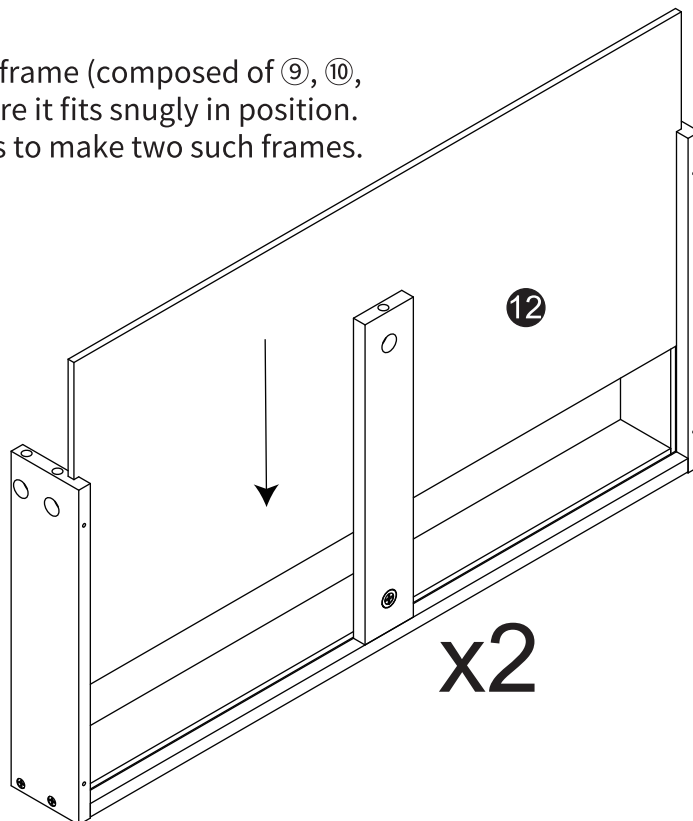


Attach ⑨ and ⑩ to ⑪ with F screws.
Align holes on ⑬ to pre-assembled ⑪ (with A). Insert to lock, then attach B at joints to reinforce.
Repeat the above steps to make two such frames.



10

Lower part ⑫ into the frame (composed of ⑨, ⑩, ⑬, ⑪) as shown. Ensure it fits snugly in position.
Repeat the above steps to make two such frames.



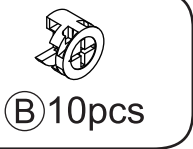
If you have any question please contact customer service:

E-mail: support@pamapic.com
Facebook: [@pamapic.official](https://www.facebook.com/pamapic.official)

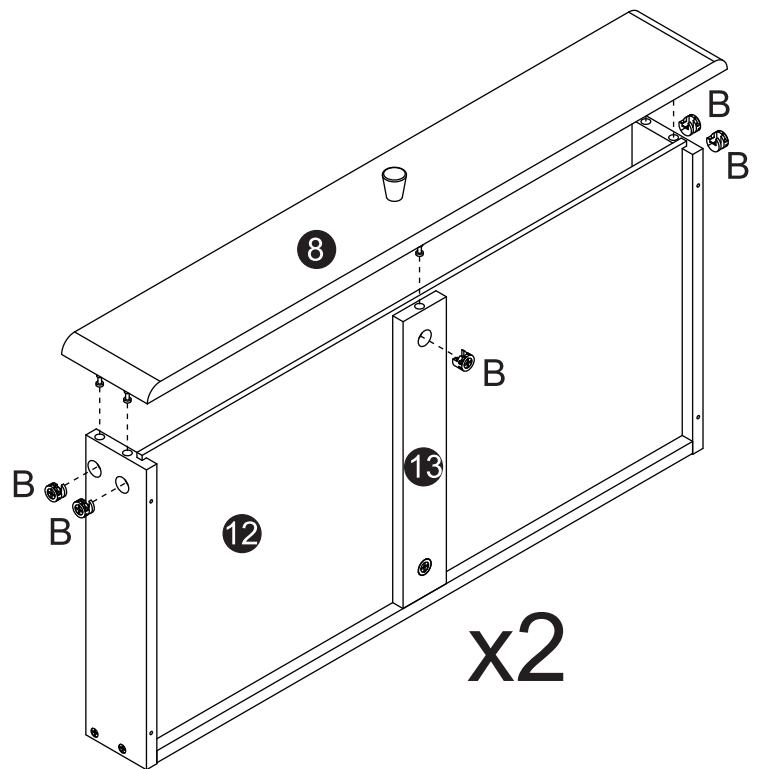
Instruction Video



11



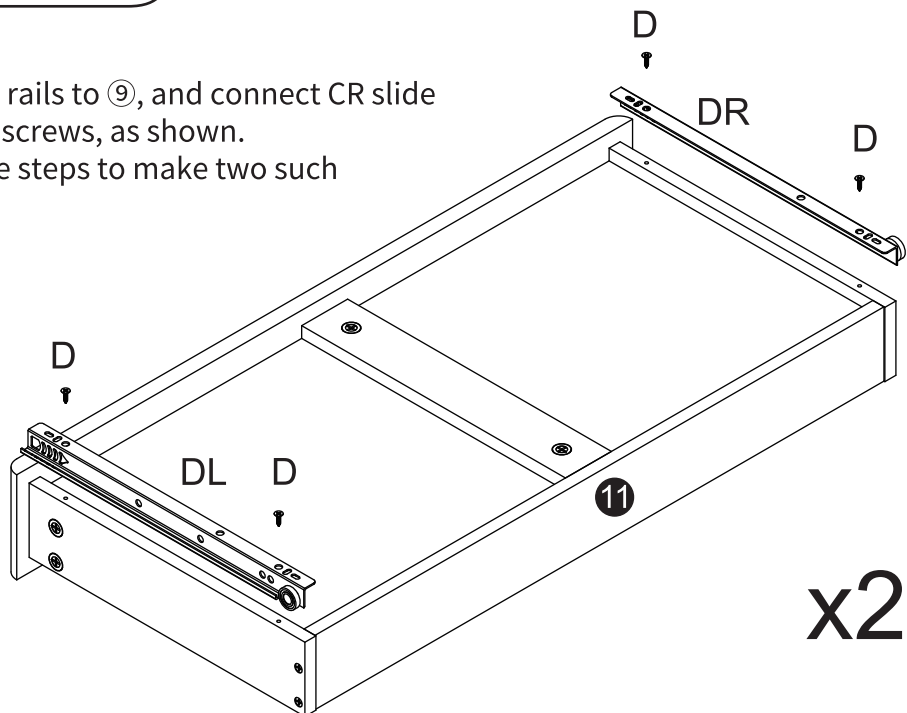
Align pre - assembled ⑧ (with A&H) to holes on ⑨, ⑩, ⑬ . Insert to lock, then attach B at joints to reinforce. Repeat the above steps to make two such frames.



12



Connect DL slide rails to ⑨, and connect CR slide rails to ⑩ with D screws, as shown. Repeat the above steps to make two such frames.



If you have any question please contact customer service:

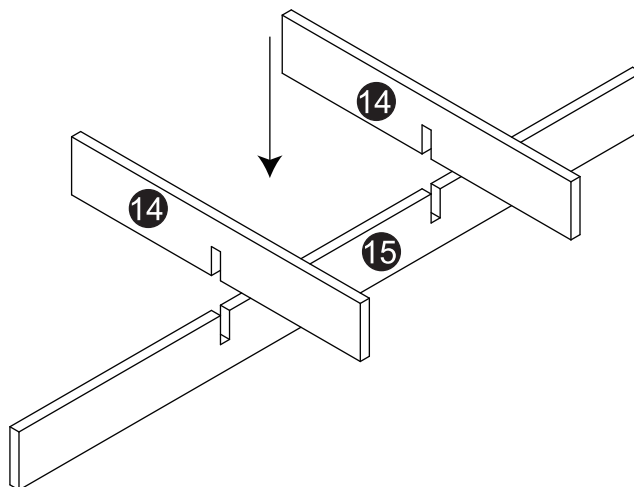
E-mail: support@pamapic.com
Facebook: [@pamapic.official](https://www.facebook.com/pamapic.official)

Instruction Video



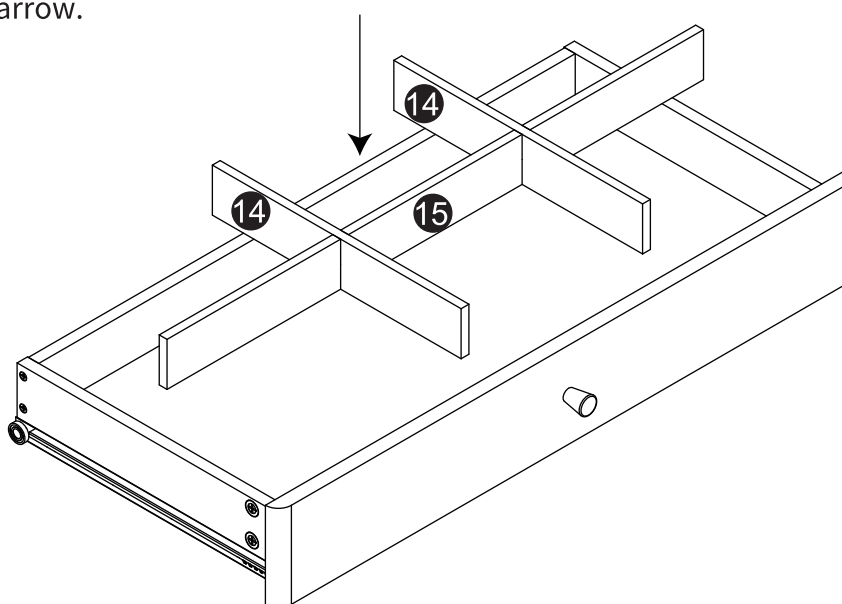
13

Align and insert ⑭ into ⑮ as indicated by the arrow.



14

Align and place the pre - assembled components (including ⑭ and ⑮) into one of the drawers as indicated by the arrow.



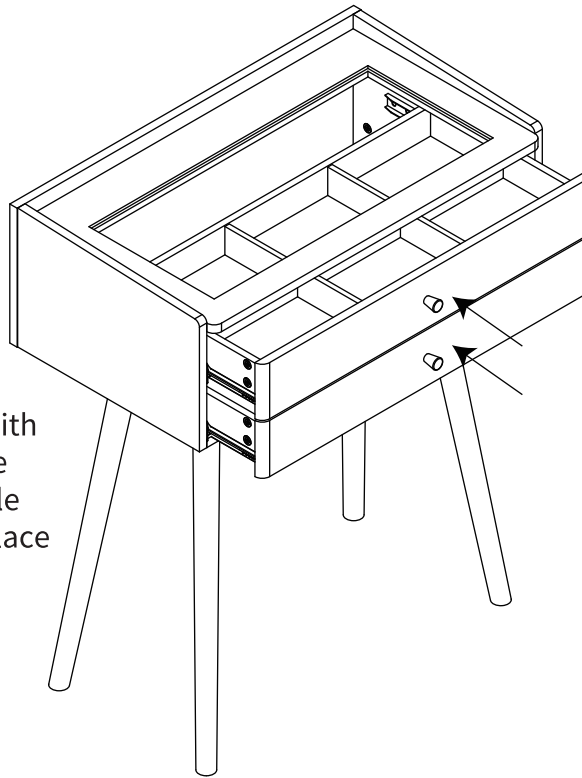
If you have any question please contact customer service:

E-mail: support@pamapic.com
Facebook: [@pamapic.official](https://www.facebook.com/pamapic.official)

Instruction Video

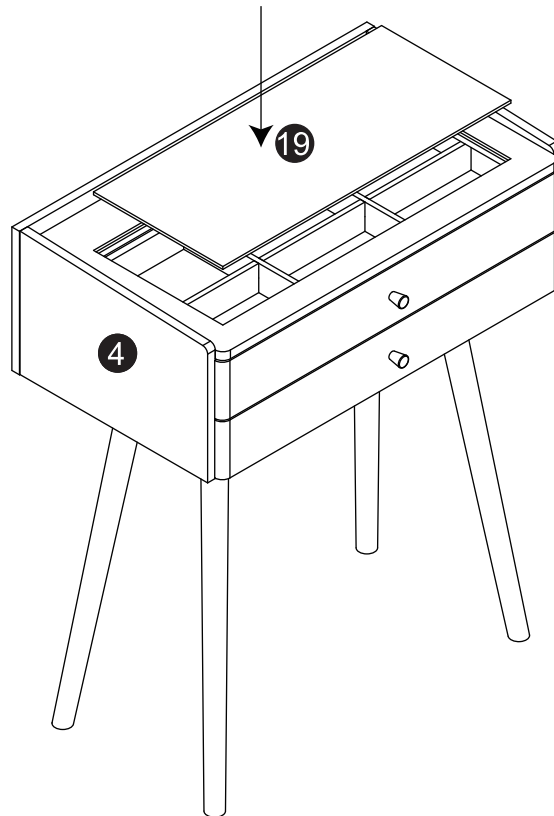


15



Align the two assembled drawers with the slide rails respectively (Place the drawer with a partition in the middle on top), and then push them into place along the rails.

16



Align Glass ⑲ with the groove and place it on the tabletop.

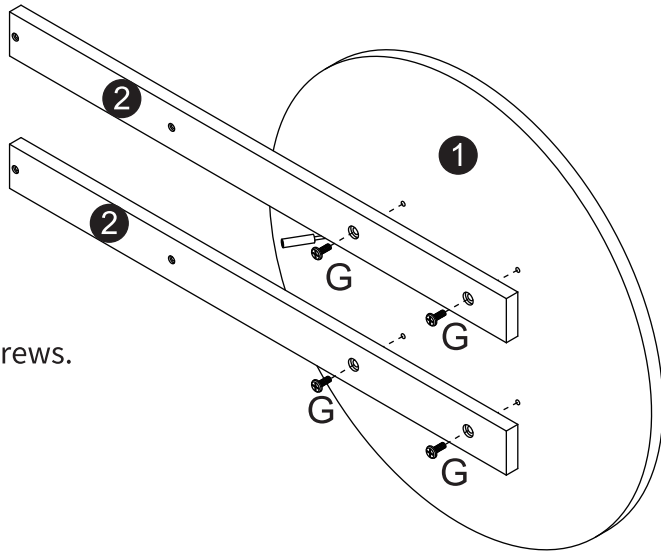
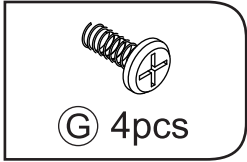
If you have any question please contact customer service:

E-mail: support@pamapic.com
Facebook: [@pamapic.official](https://www.facebook.com/pamapic.official)

Instruction Video

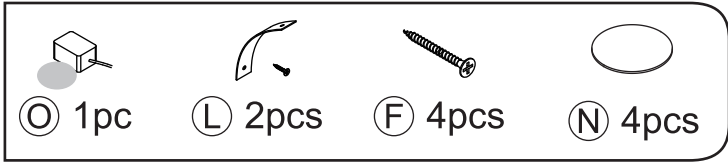


17



Attach ② to ① with G screws.

18

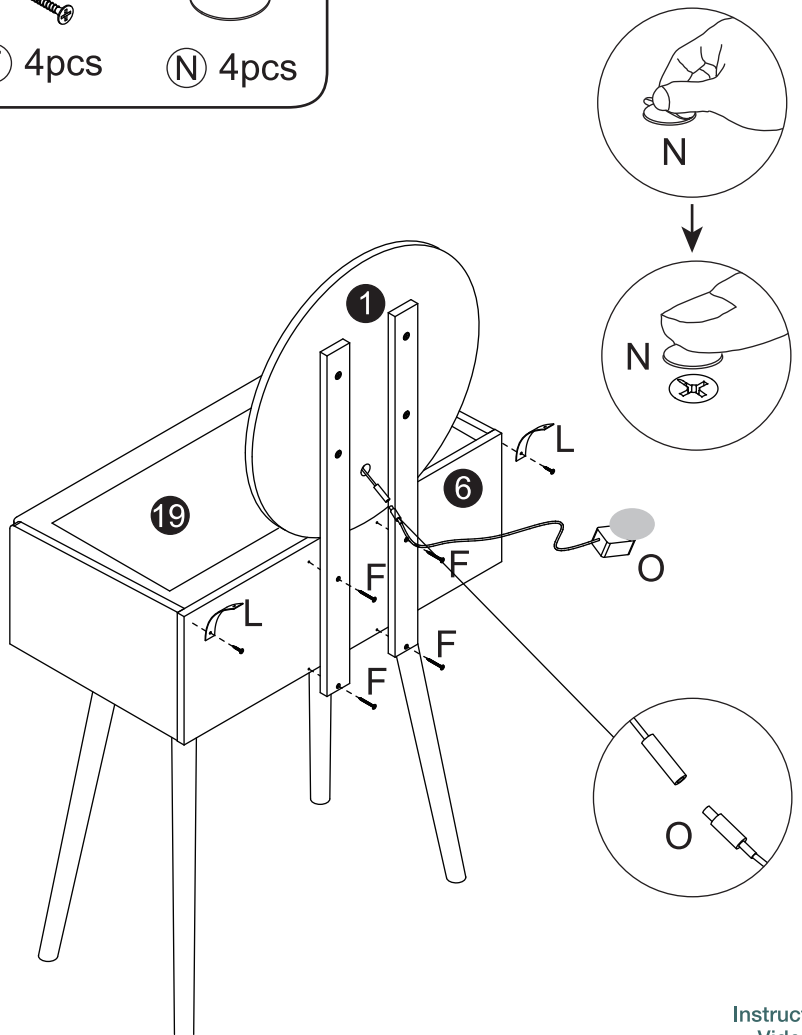


Attach the pre - assembled components (including ① and ②) to ⑥ of the main table with J screws.

Attach anti-tip straps N to ⑧ with screws.

Connect the electrical connector at the back of the mirror with the power plug as shown.

Peel off the backing and carefully stick one L sticker over each exposed screw on the vanity. Ensure full coverage—no screw head remains visible.



Instruction Video

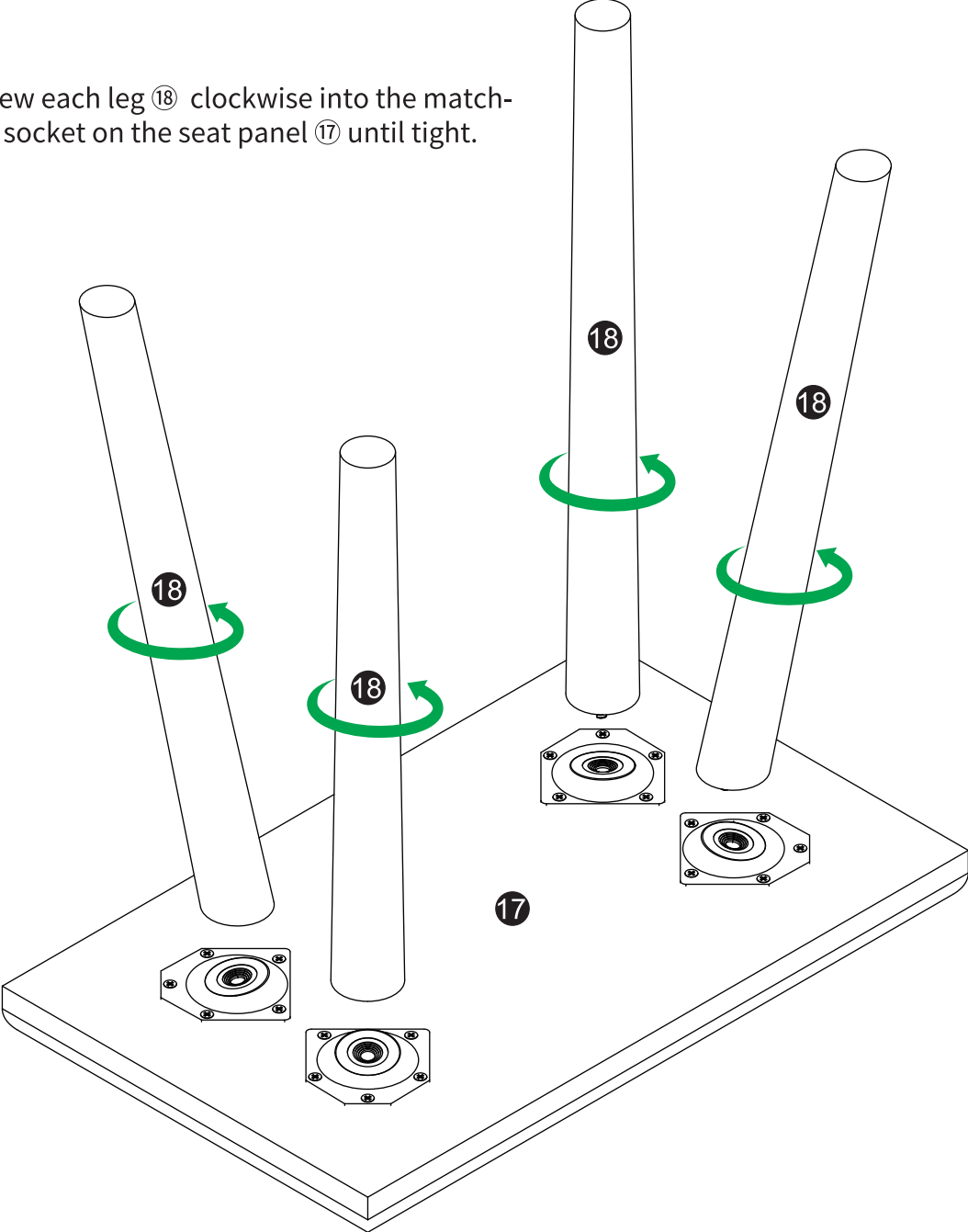


If you have any question please contact customer service:

E-mail: support@pamapic.com
Facebook: [@pamapic.official](https://www.facebook.com/pamapic.official)

19

Screw each leg ⑱ clockwise into the matching socket on the seat panel ⑰ until tight.



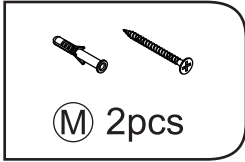
If you have any question please contact customer service:

E-mail: support@pamapic.com
Facebook: [@pamapic.official](https://www.facebook.com/pamapic.official)

Instruction Video

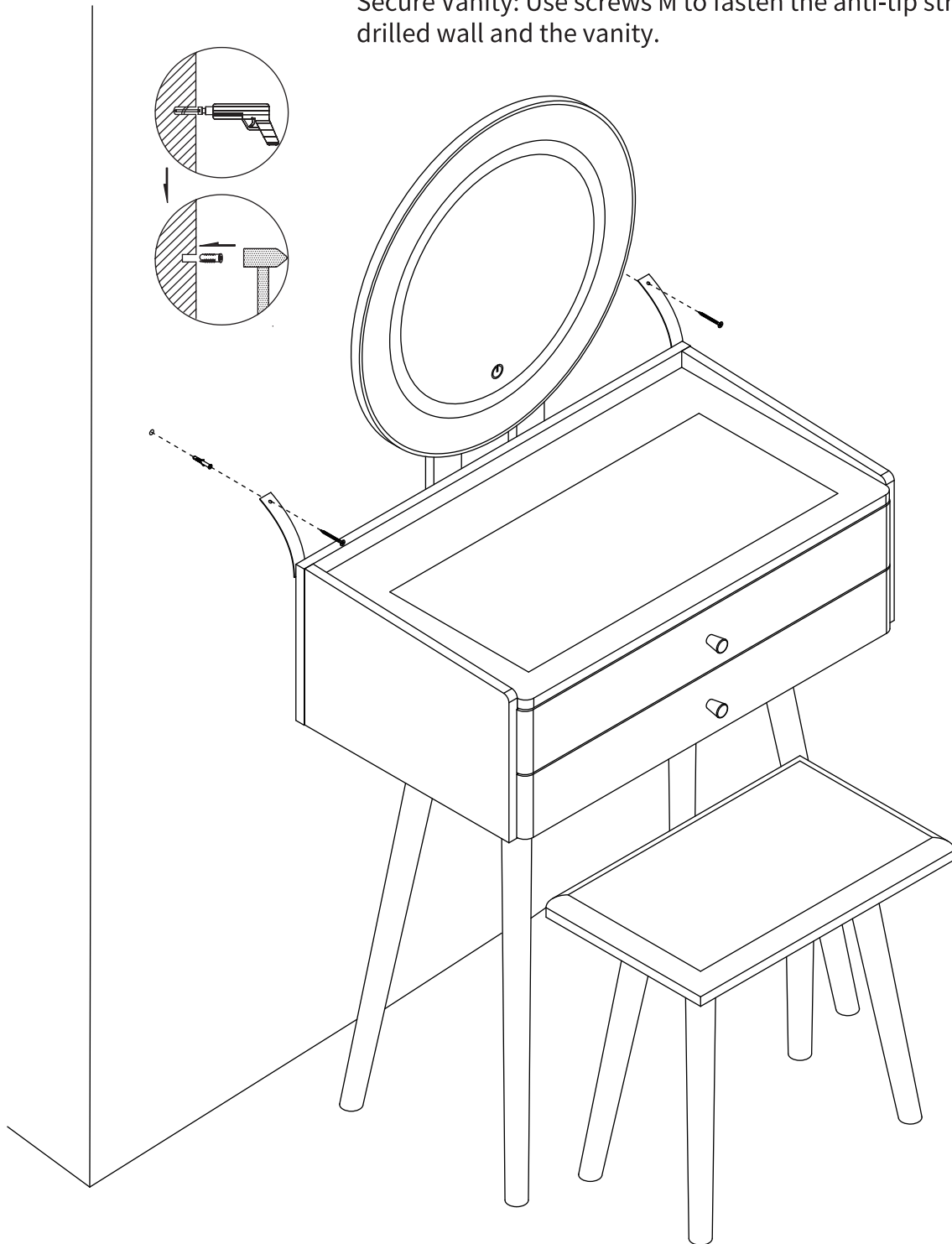


20



Wall Prep: Drill holes in the wall matching the anti-tip strap L' s screw holes on the vanity' s back. Insert wall plug M into these holes.

Secure Vanity: Use screws M to fasten the anti-tip strap L to the drilled wall and the vanity.



If you have any question please contact customer service:

E-mail: support@pamapic.com
Facebook: [@pamapic.official](https://www.facebook.com/pamapic.official)

Instruction Video



HELP CENTER



Inquiry



Assembly issue



Missing parts

If you encounter any difficulties during assembly, please contact us.

Wenn Sie während der Montage auf Schwierigkeiten stoßen, kontaktieren Sie uns bitte.

Si vous rencontrez des difficultés lors du montage, veuillez nous contacter.

Se incontri difficoltà durante il montaggio, ti preghiamo di contattarci.

Si encuentras alguna dificultad durante el ensamblaje, por favor contáctanos.

DISCLAIMER

Manufacturer and seller expressly disclaim any and all liability for personal injury, property damage or loss, whether direct, indirect, or incidental, resulting from the incorrect attachment, improper use, inadequate maintenance, unapproved modification, or neglect of this product.

Der Hersteller und Verkäufer lehnen ausdrücklich jegliche Haftung für Personenschäden, Sachschäden oder Verluste ab, egal ob direkt, indirekt oder zufällig, die durch falsche Anbringung, unsachgemäßen Gebrauch, unzureichende Wartung, nicht genehmigte Änderungen oder Vernachlässigung dieses Produkts entstehen.

El fabricante y vendedor renuncian expresamente a toda responsabilidad por lesiones personales, daños materiales o pérdidas, ya sean directos, indirectos o incidentales, derivados de la incorrecta colocación, uso inadecuado, mantenimiento insuficiente, modificación no aprobada o negligencia de este producto.

Il produttore e il venditore declinano espressamente ogni responsabilità per lesioni personali, danni materiali o perdite, dirette, indirette o incidentali, derivanti dall'errato fissaggio, uso improprio, manutenzione inadeguata, modifica non autorizzata o negligenza di questo prodotto.

Le fabricant et le vendeur déclinent expressément toute responsabilité en cas de blessures corporelles, de dommages matériels ou de pertes, qu'ils soient directs, indirects ou accessoires, résultant de la fixation incorrecte, de l'utilisation inappropriée, de l'entretien insuffisant, de la modification non approuvée ou de la négligence de ce produit.

If you have any question please
contact customer service:

E-mail: support@pamapic.com

Facebook: [@pamapic.official](https://www.facebook.com/pamapic.official)

Instruction
Video

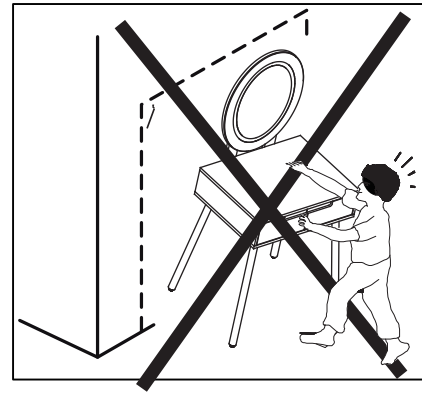


⚠️ WARNING

Serious or fatal crushing can occur from furniture tip over. To help prevent tip over:

- Install all tip over restraints provided with your product.
- Do not sit TV's or other heavy objects on top of this product.
- Never allow children to climb or hang on drawers, shelves.
- Place heaviest items inside the lower drawers.
- Never open more than one drawer at a time.

Use of tip over restraints may only reduce, but will not eliminate the risk of tip over.



Wall Mounting & Fixing Guide



IMPORTANT:

When drilling into walls, always check for hidden wires or pipes, etc.



Tips & Tricks

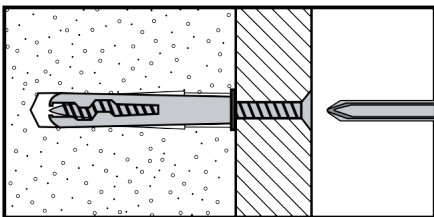
Make sure that the hardware used is suitable for supporting your unit.

Please consult a qualified tradesperson if unsure.

- ✓ If you are unsure, please select a larger screw and wall plug.
- ✓ Ensure that you use the recommended drill bit to match the wall plug and hole size.
- ✓ Take extra care when drilling high walls, ceiling and ceramic tiles. Ensure wall plugs are inserted beyond the thickness of the ceramic tiles to avoid splitting or cracking.
- ✓ Ensure that wall plugs are well fitted and are a tight fit in the drilled hole.

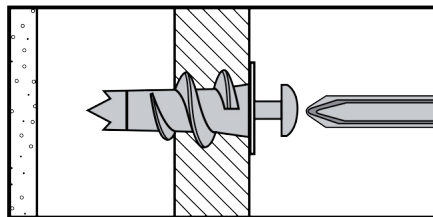
Types Of Walls

Use one of the following types of wall plug (not included) if your walls are made of brick, breeze block, concrete, stone or wood. Screws may be able to be fixed directly to solid wood walls as they will provide a secure anchor point.



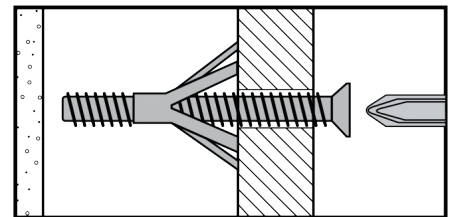
1. General Purpose Wall Plug

Generally, aerated blocks should not be used to support heavy loads, use a specialist fitting in this case. For light loads, general purpose wall plugs can be used.



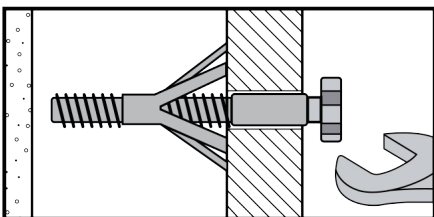
2. Plasterboard Wall Plug

For use when attaching light loads onto plasterboard partitions.



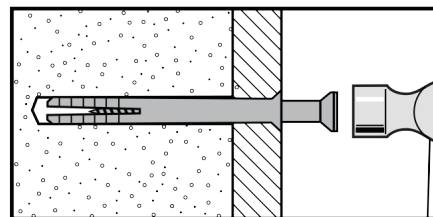
3. Cavity Fixing Wall Plug

For use with plasterboard partitions or hollow wooden doors.



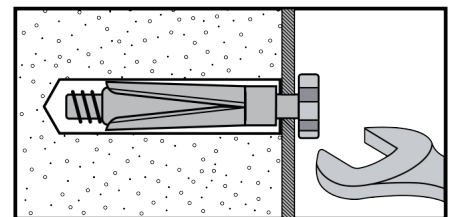
4. Cavity Fixing Heavy Duty Wall Plug

For use when fitting or supporting heavy loads such as shelving and wall cabinets.



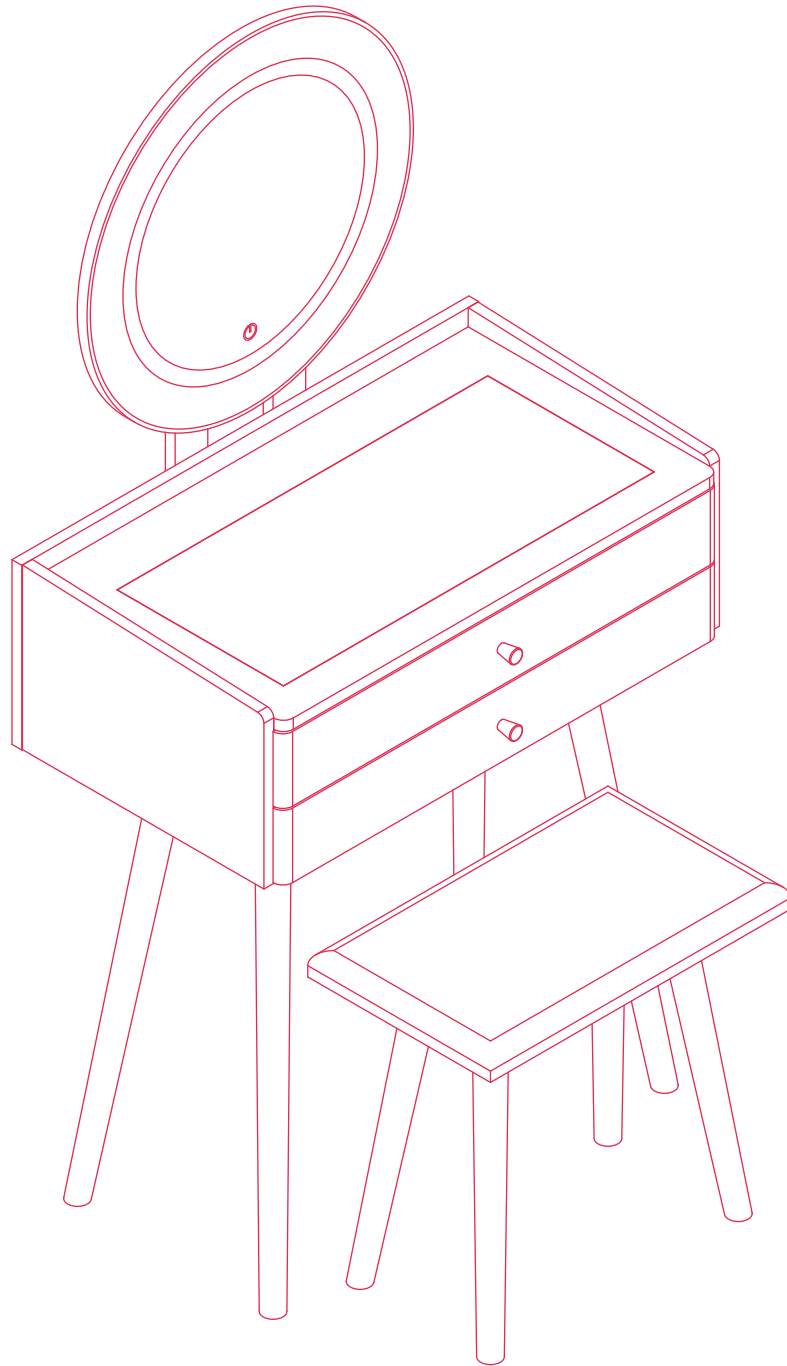
5. Hammer Fixing Wall Plug

For use with concrete block or brick walls, or walls stuck with plasterboard. The hammer fixing allows it to be fixed to the wall rather than the plasterboard. Always check the fixing is secure to the retaining wall.



6. Shield Anchor Wall Plug Heavy Loads

For use with concrete or brick walls, or for use with heavier loads such as TV & HiFi speakers and satellite dishes, etc.



If you have any question please
contact customer service:

E-mail: support@pamapic.com
Facebook: [@pamapic.official](https://www.facebook.com/pamapic.official)

Instruction
Video

