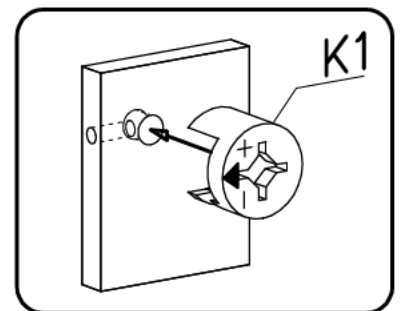
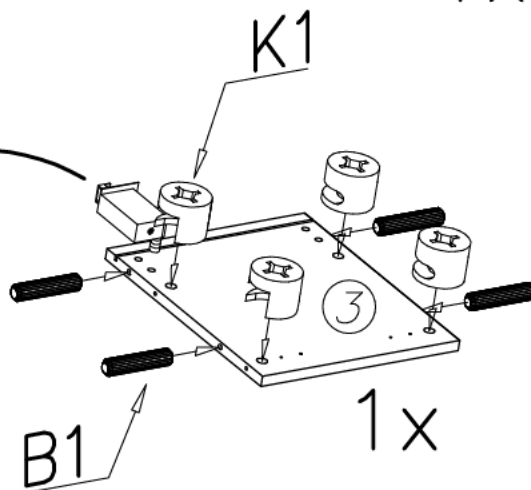
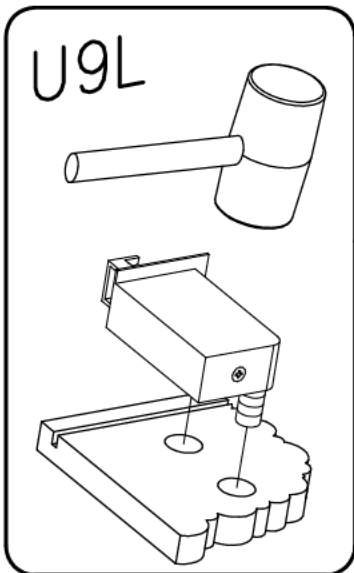
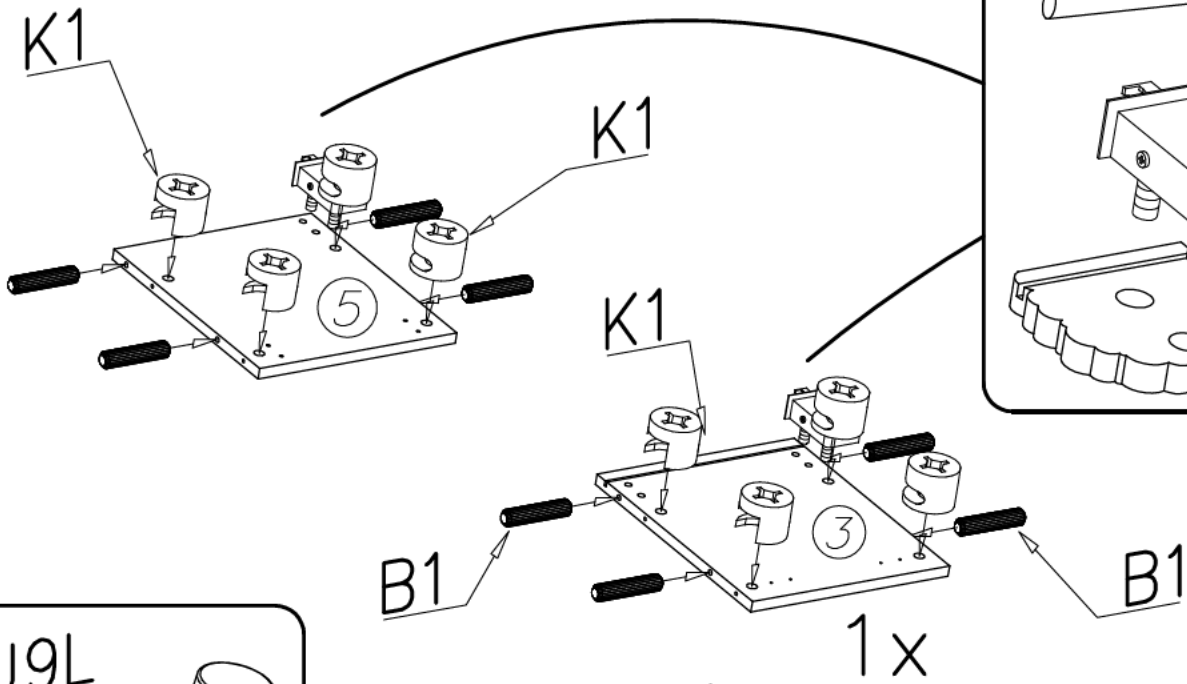
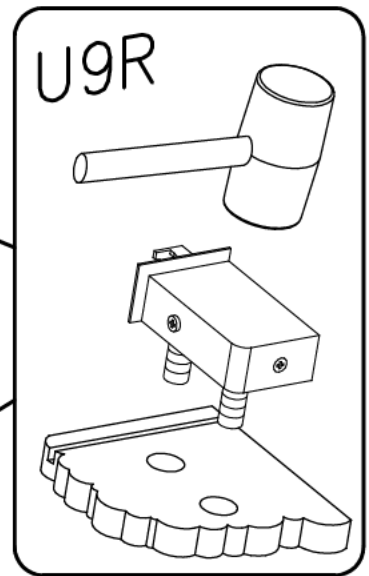
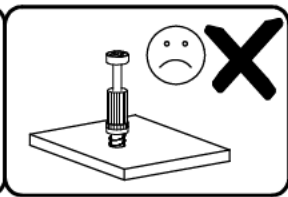
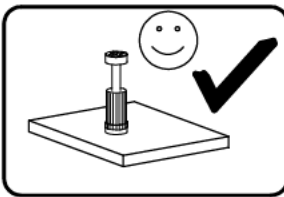
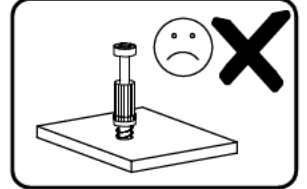
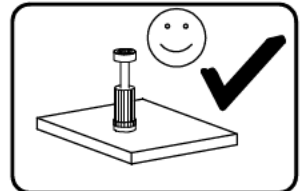
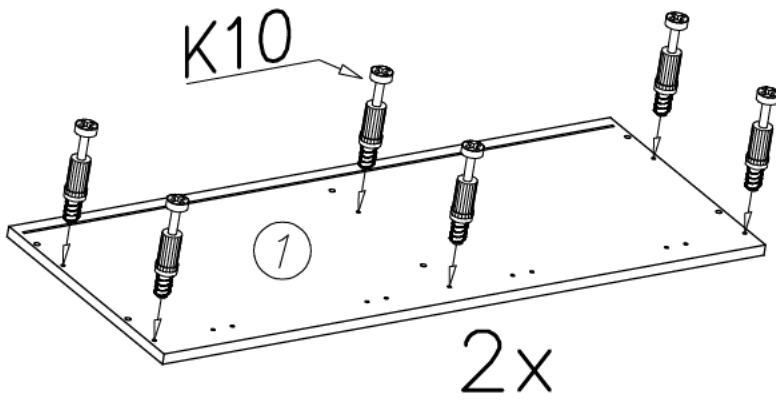
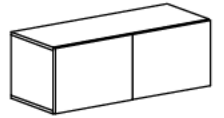
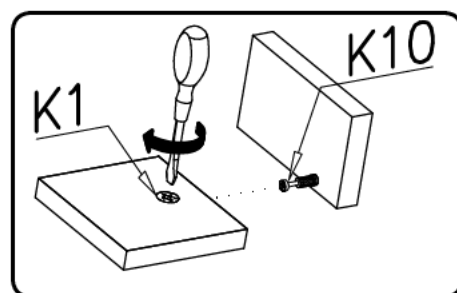
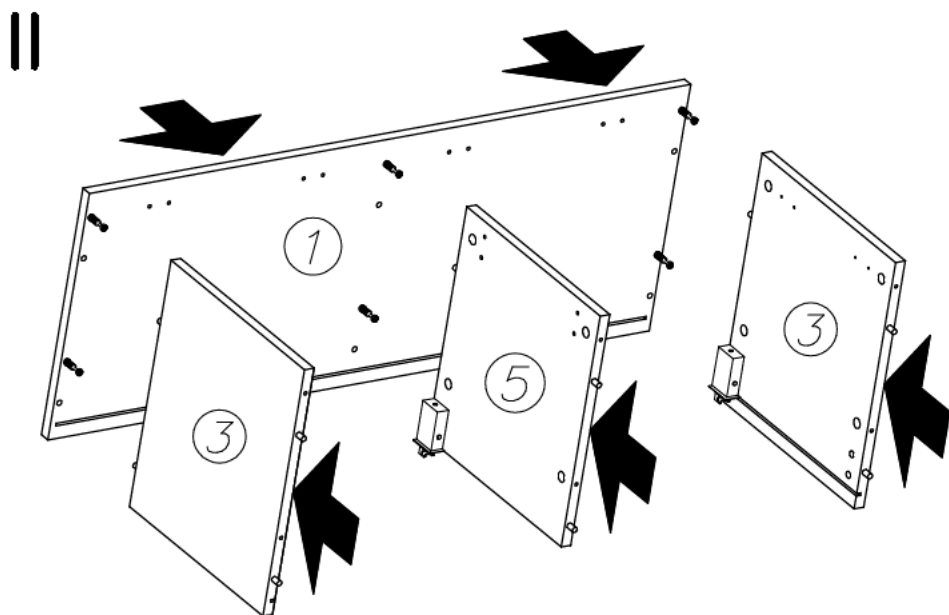
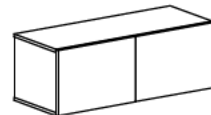
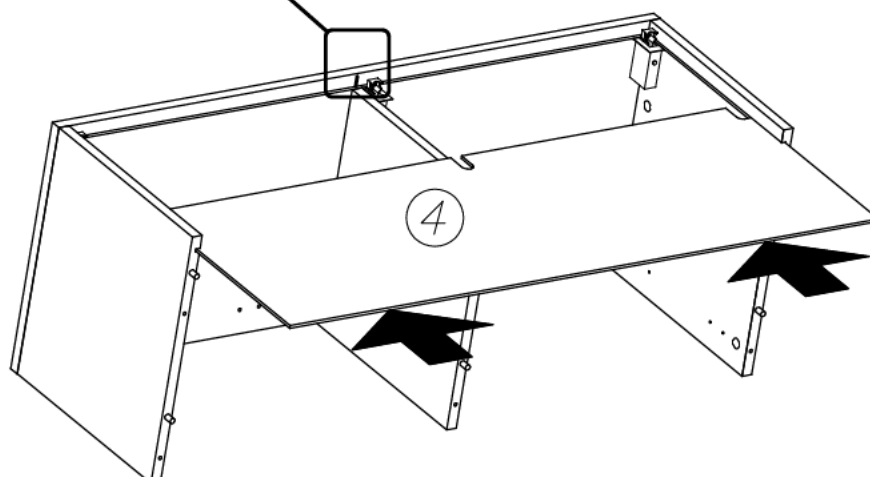
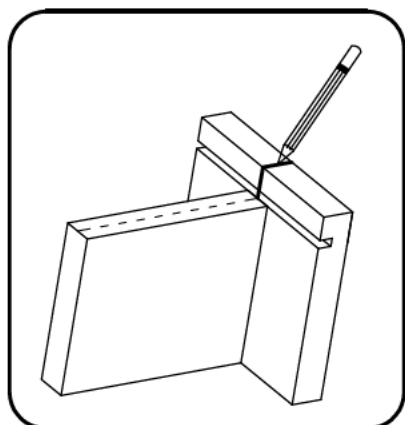


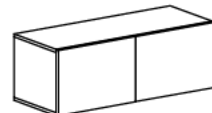
<p>N7</p> <p>M4x15 x...(2)</p>	<p>G32</p> <p>3,5x16 x...(16)</p>	<p>I4</p> <p>ø5 x...(4)</p>	<p>I10</p> <p>ø10 x...(4)</p>	<p>L13</p> <p>x...(2)</p>
<p>U9L</p> <p>x...(1)</p>	<p>U9R</p> <p>x...(2)</p>	<p>U10L</p> <p>x...(1)</p>	<p>U10R</p> <p>x...(2)</p>	<p>G57</p> <p>3,5x16 x...(4)</p>
<p>K1</p> <p>ø15x12 x...(12)</p>	<p>I7</p> <p>x...(12)</p>	<p>I1</p> <p>x...(6)</p>	<p>U7</p> <p>x...(3)</p>	<p>U8</p> <p>ø10x60 x...(3)</p>
<p>K10</p> <p>x...(12)</p>	<p>B1</p> <p>ø8x35 x...(12)</p>	<p>C3</p> <p>Z35PR x...(4)</p>	<p>D3</p> <p>H=2 x...(4)</p>	<p>G34</p> <p>3,5x16 x...(11)</p>



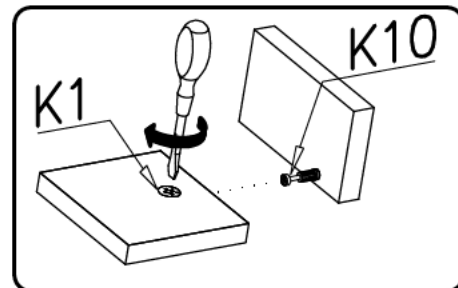
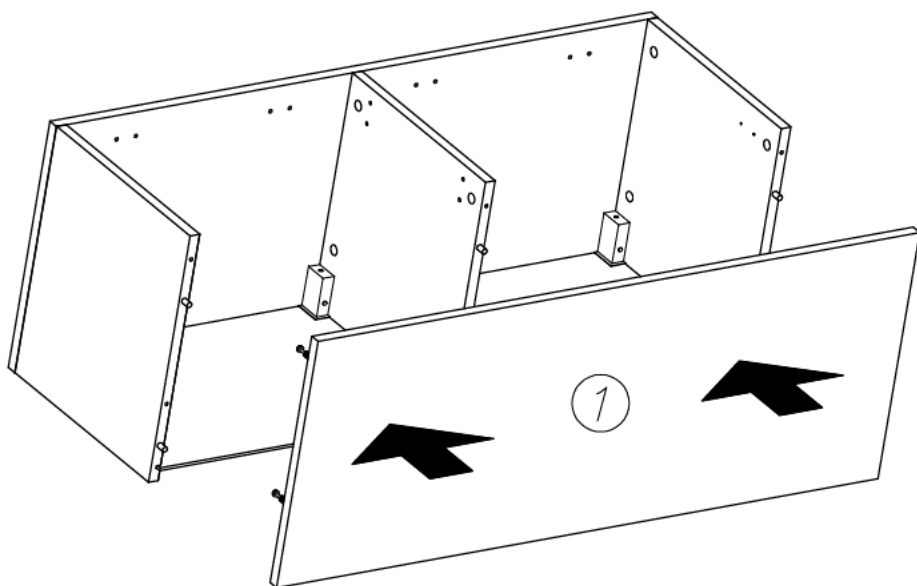


III

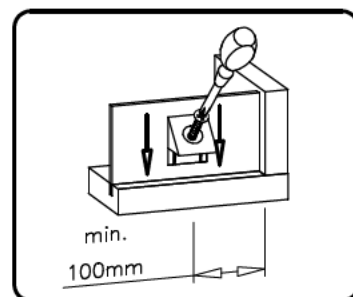
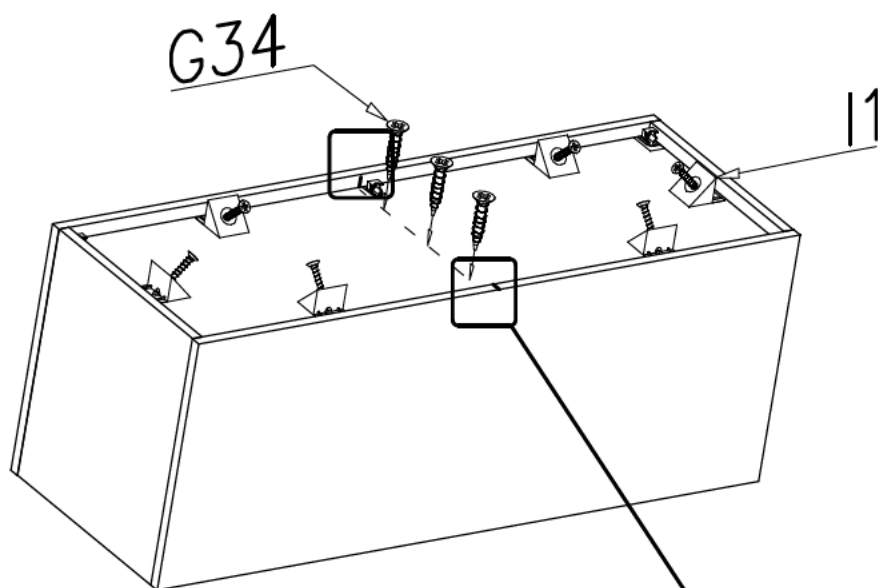




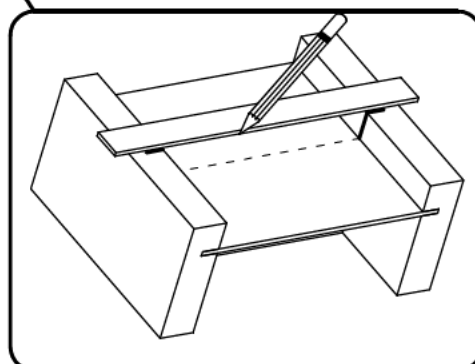
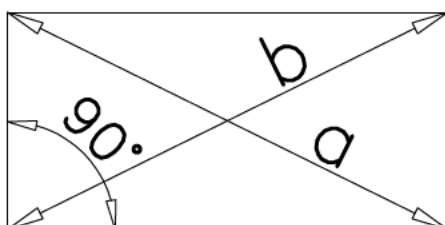
IV

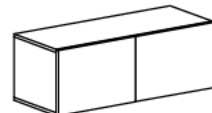


V

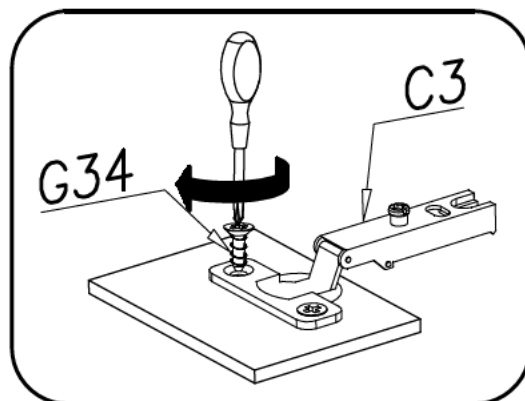
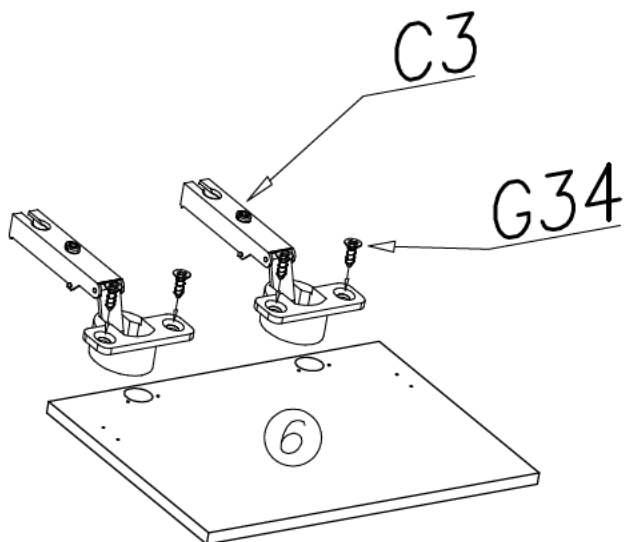


$$a = b$$

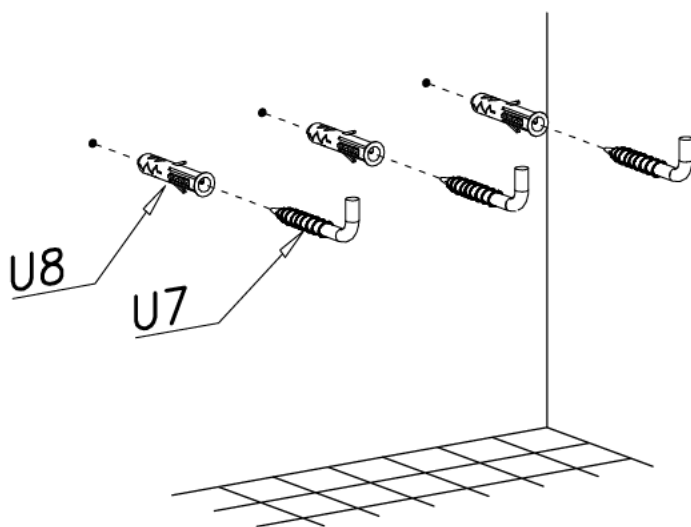
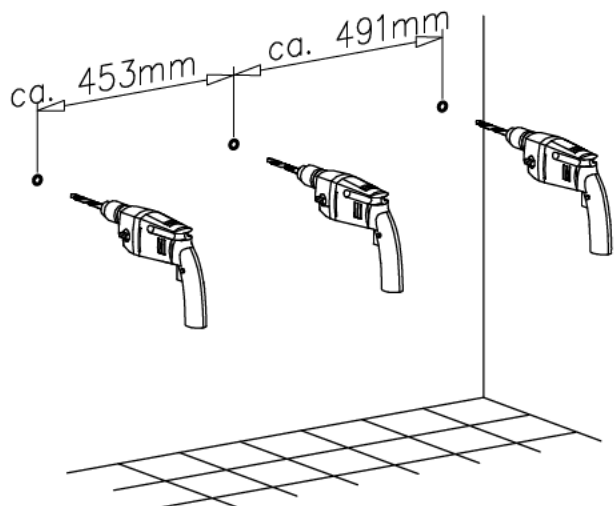
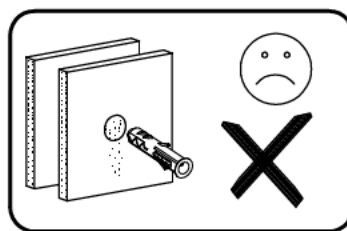
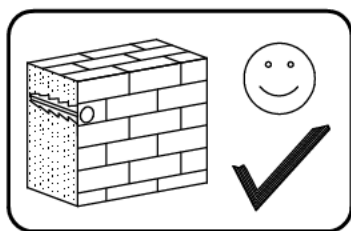


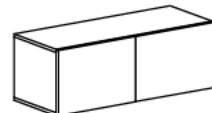


VI

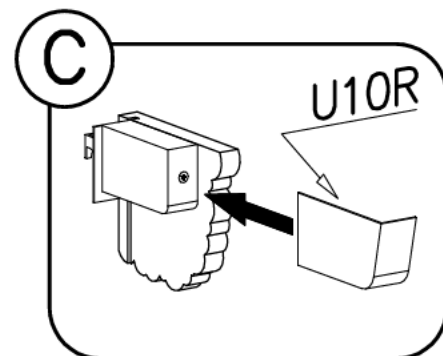
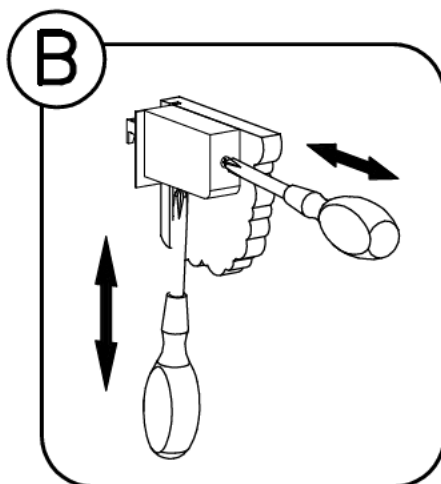
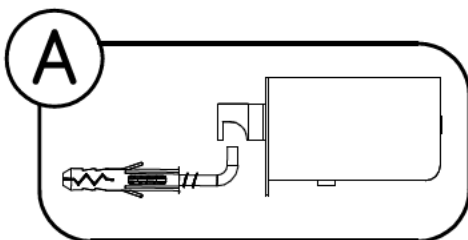
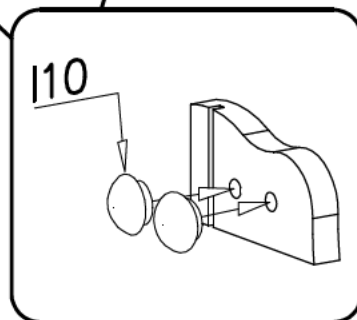
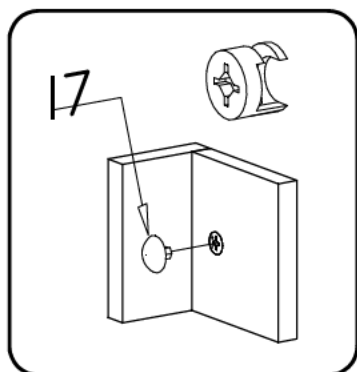
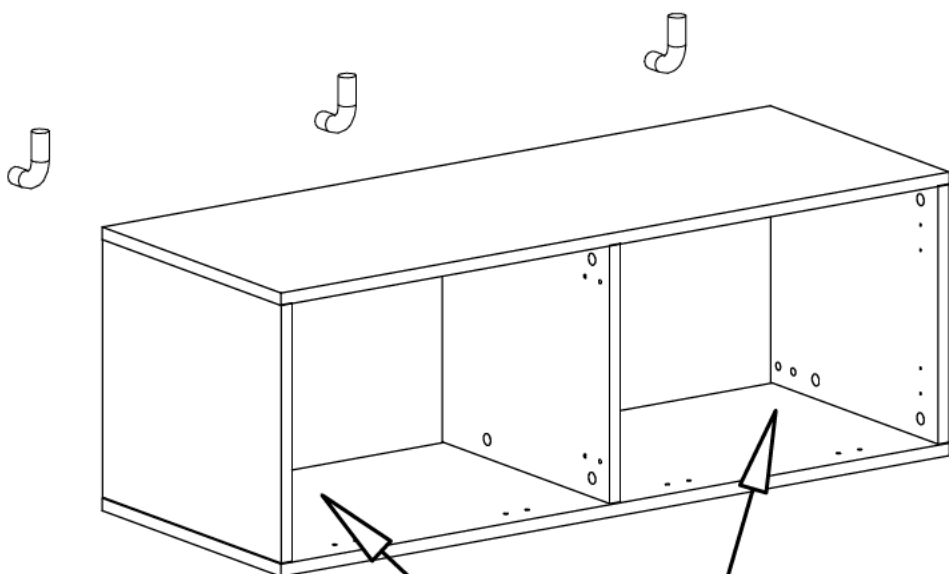


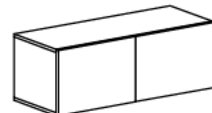
VII



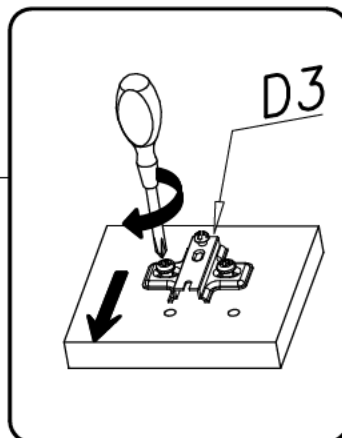
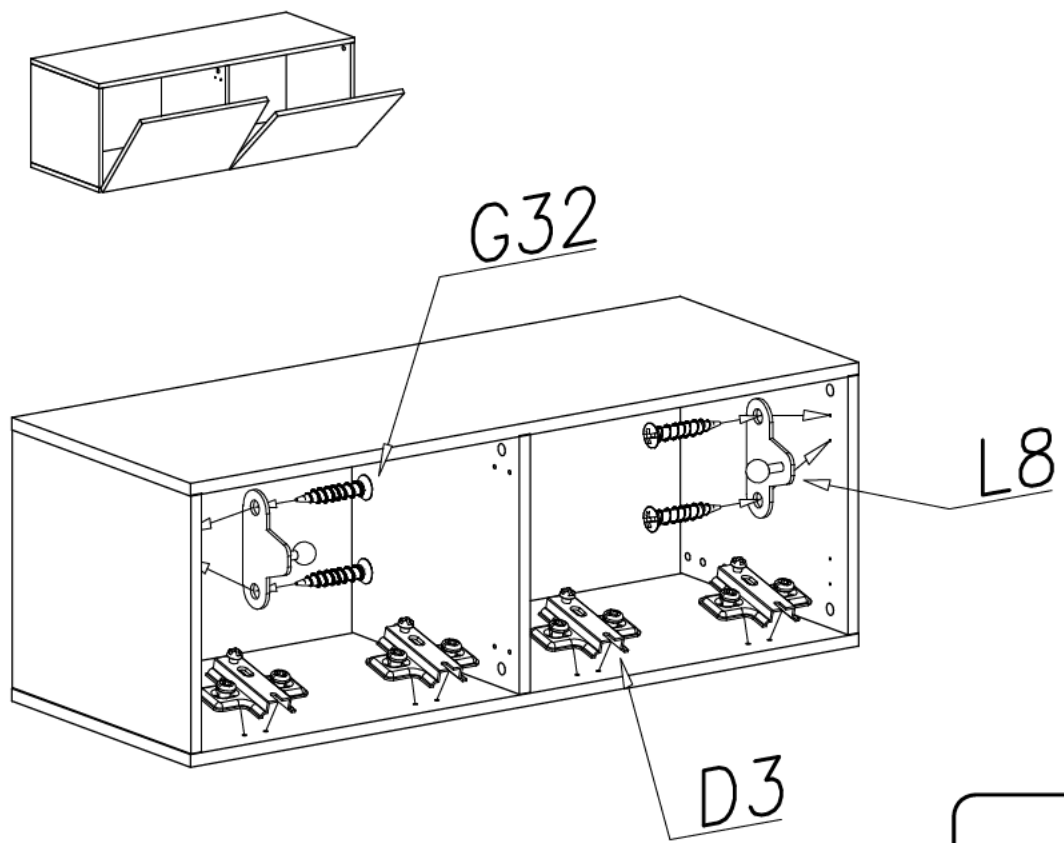


VIII

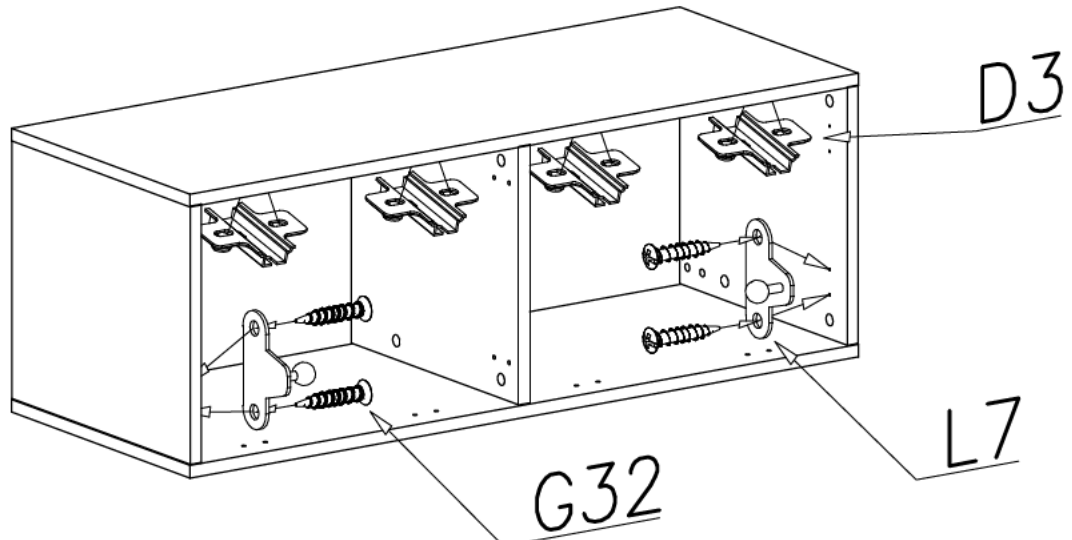
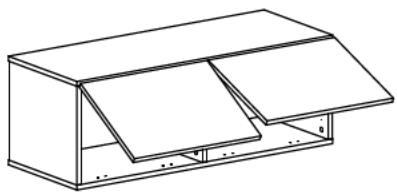


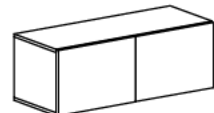


IX

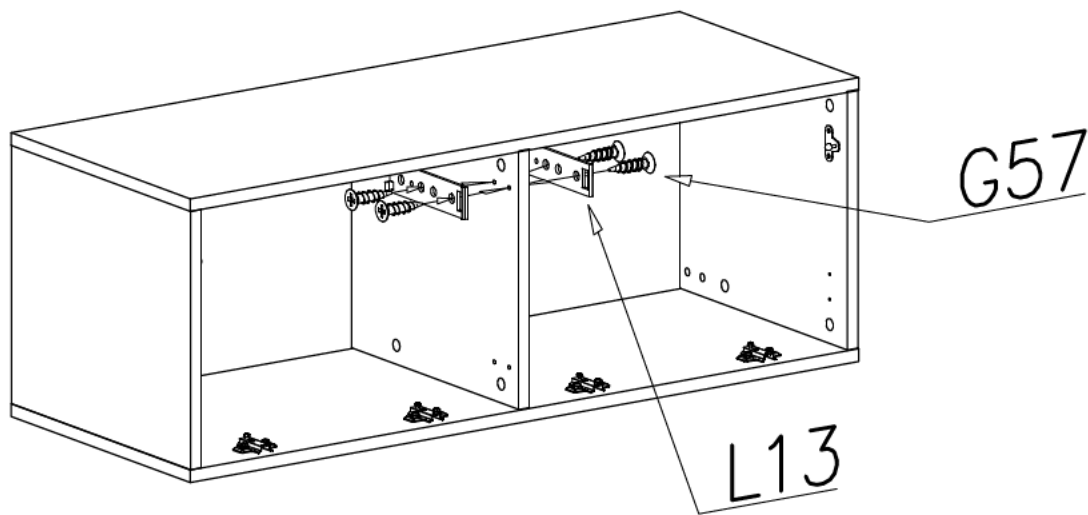
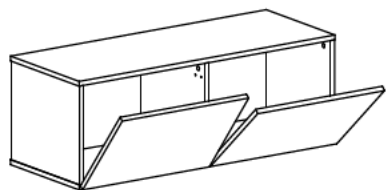


IX

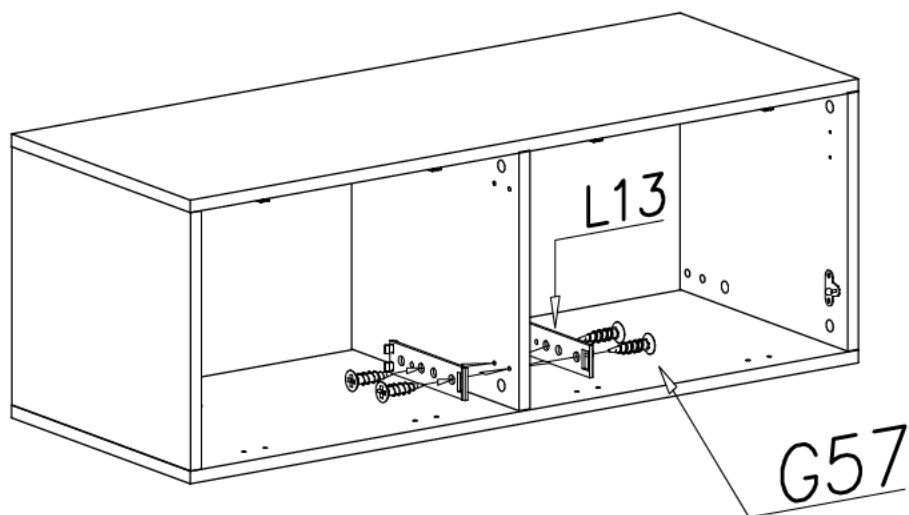
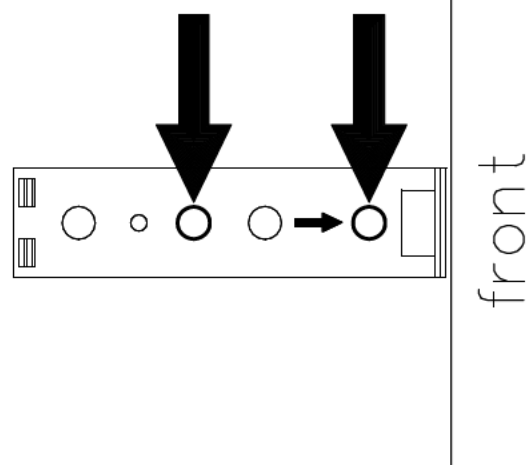
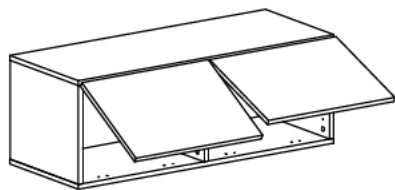


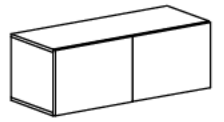


X

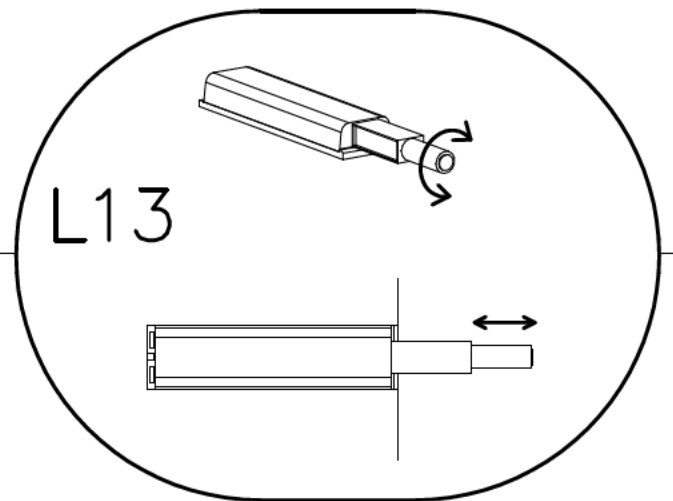
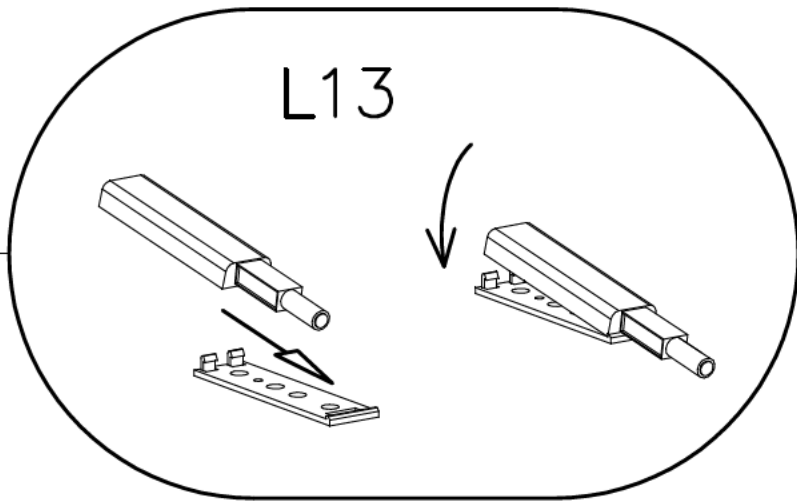
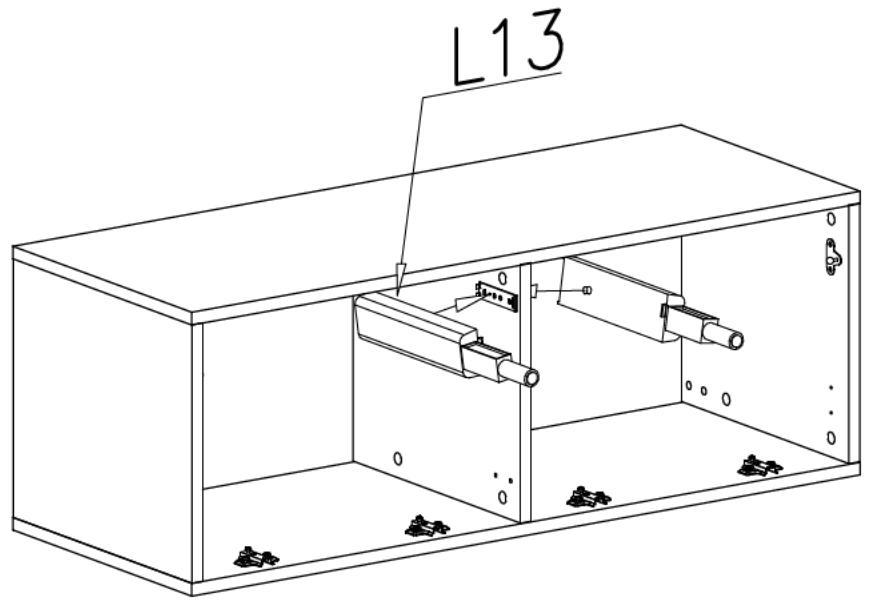
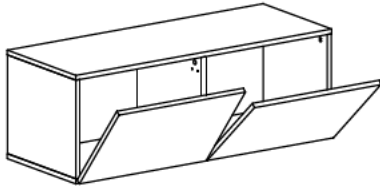


X

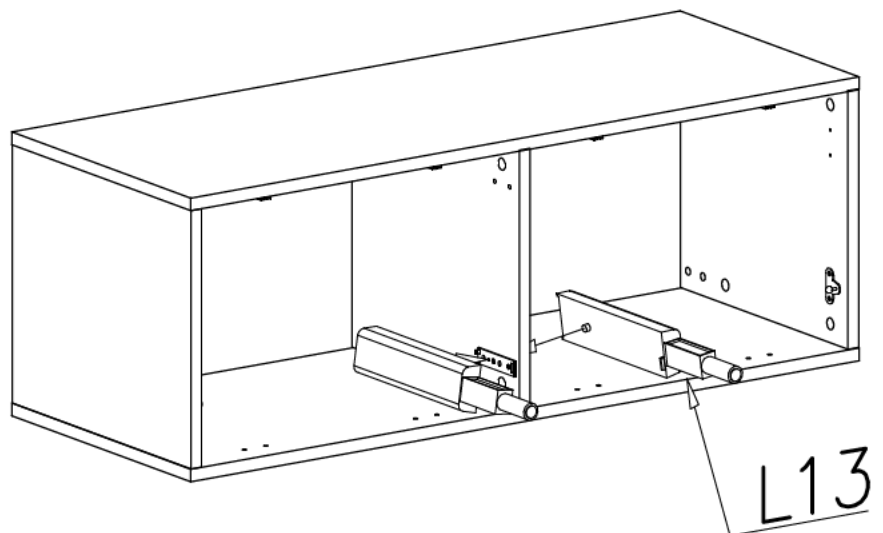
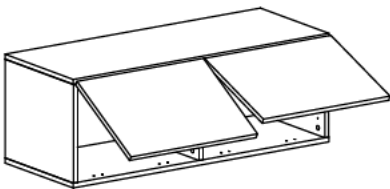


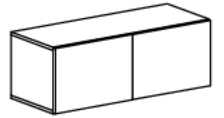


XI

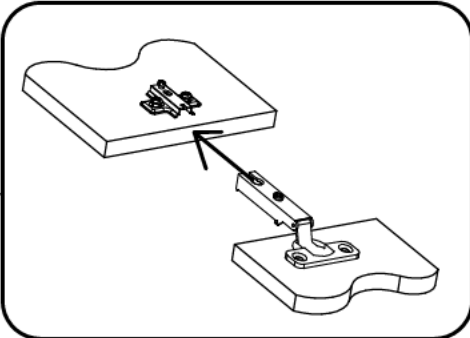
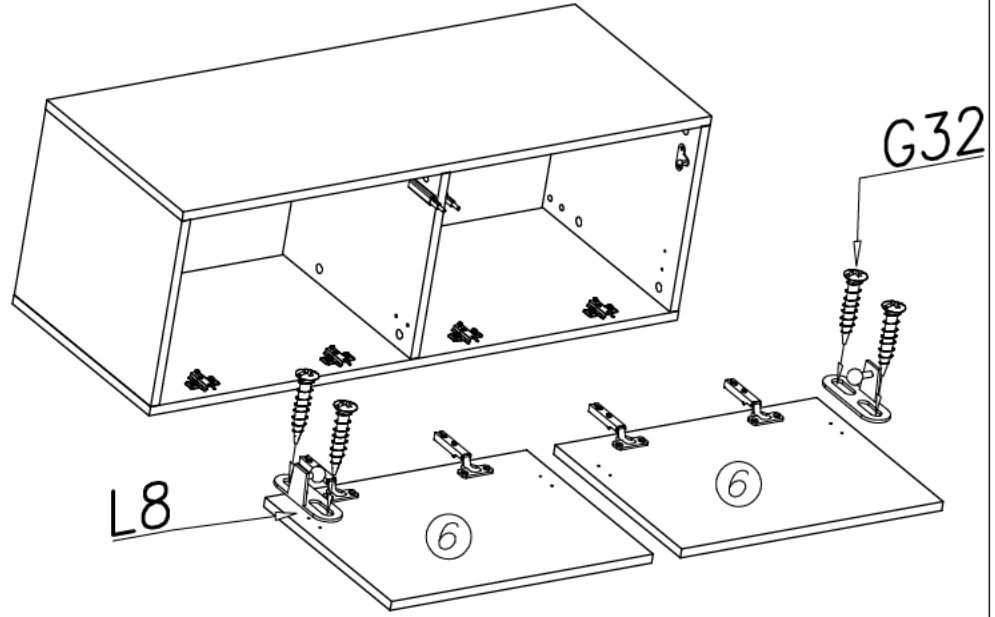
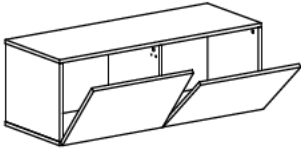


XI

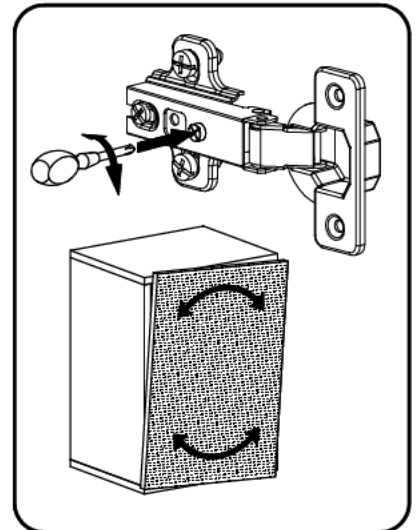
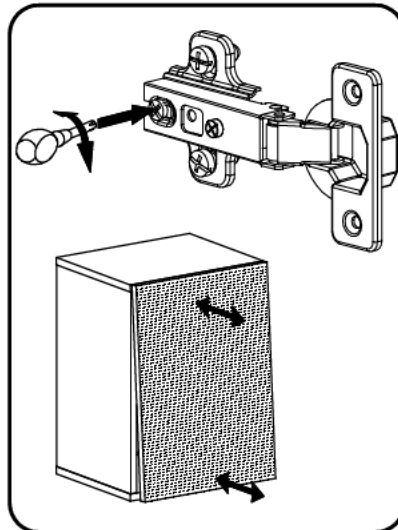
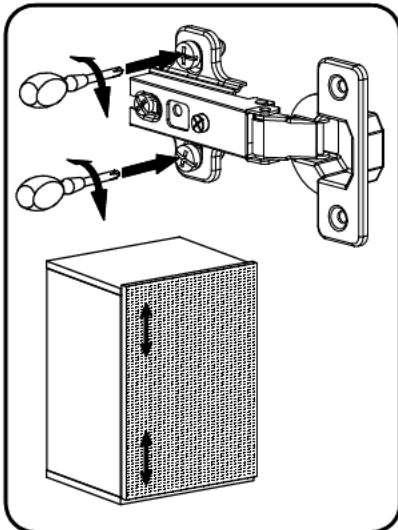
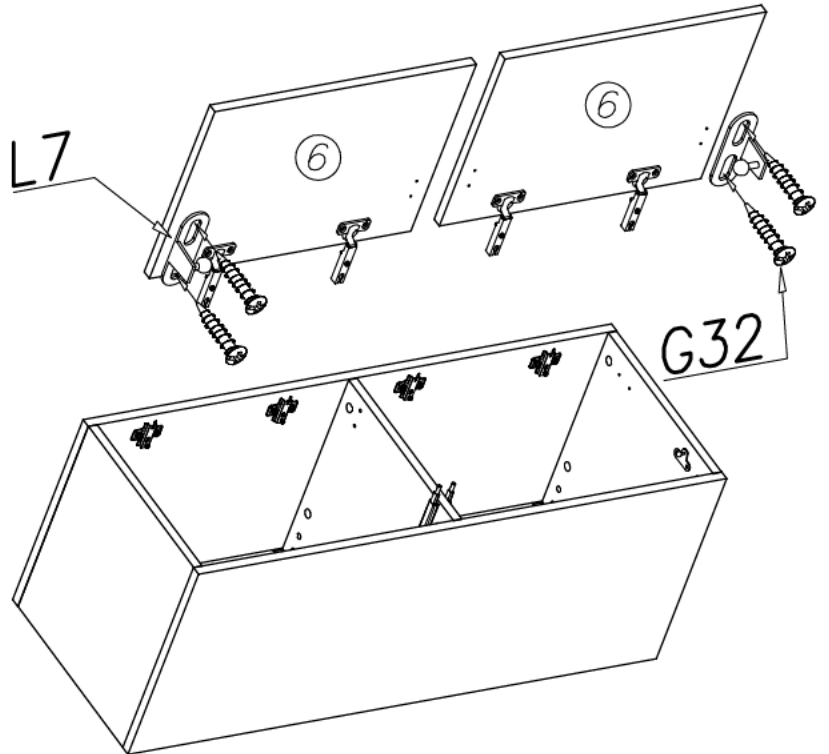
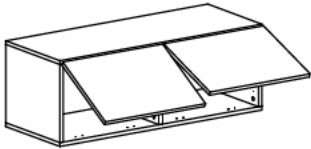


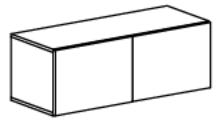


XII

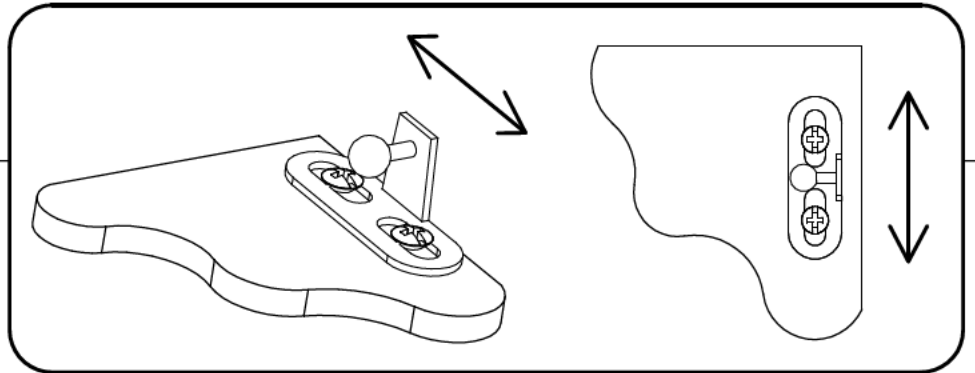
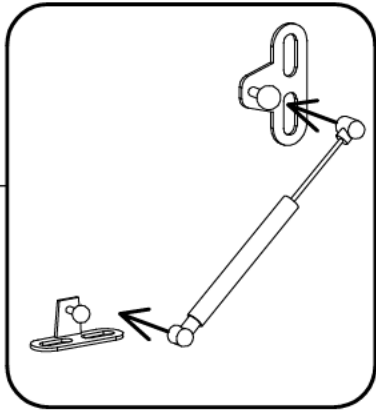
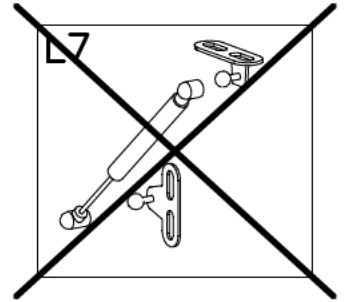
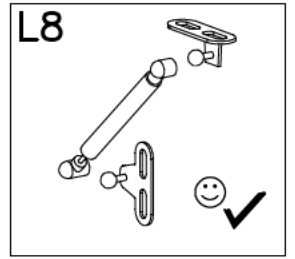
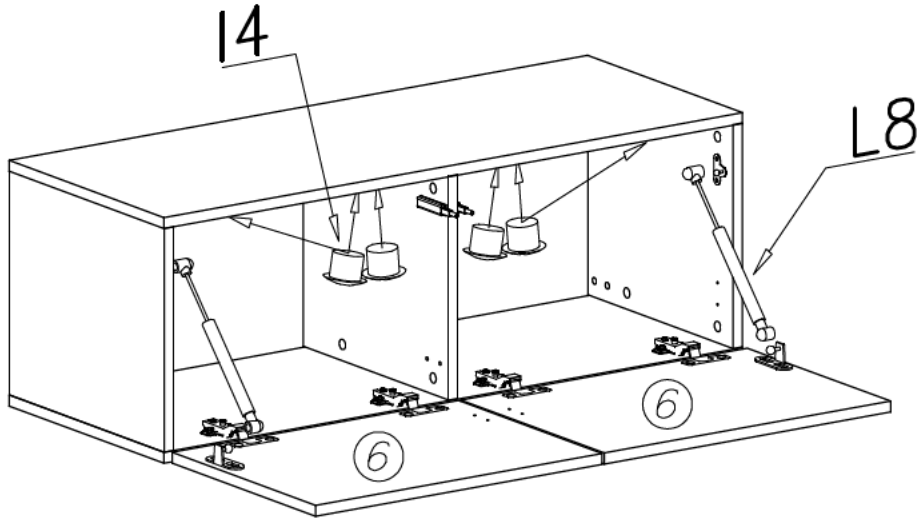
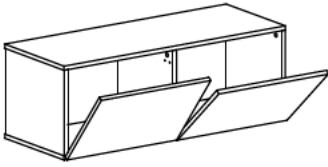


XII

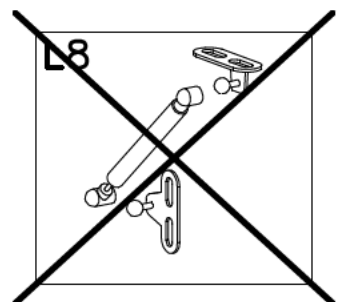
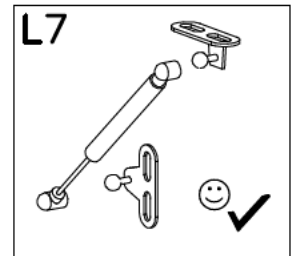
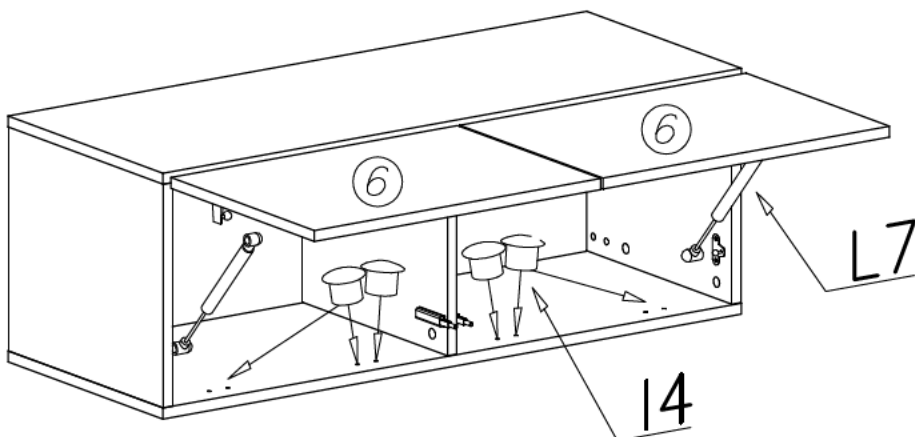
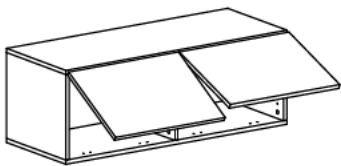


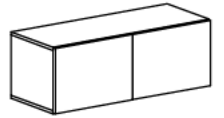


XIII

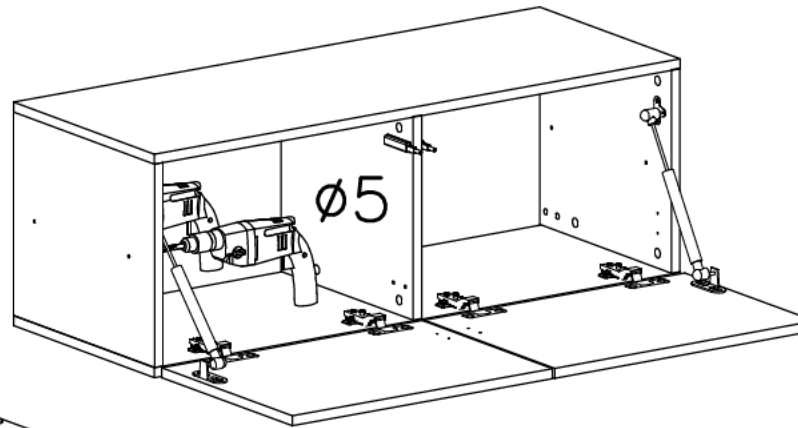
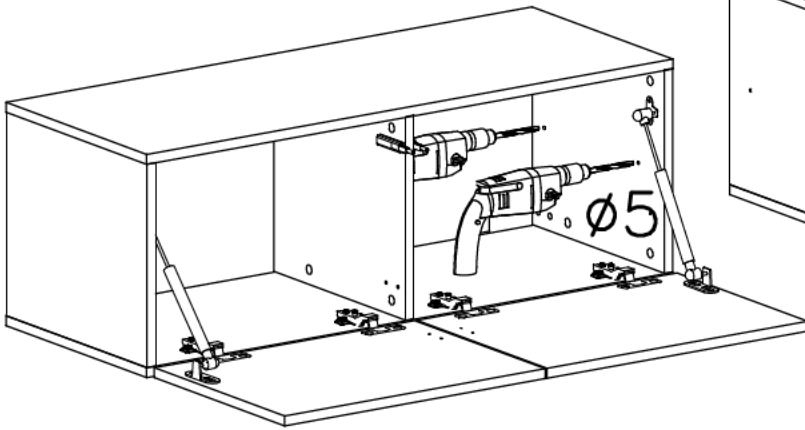
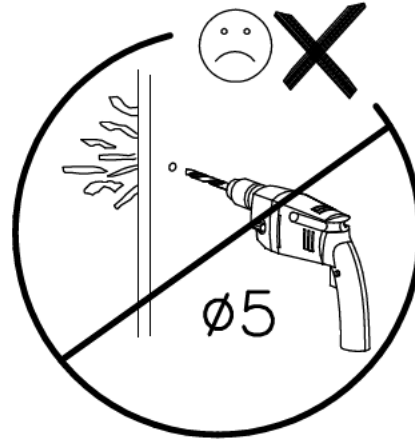
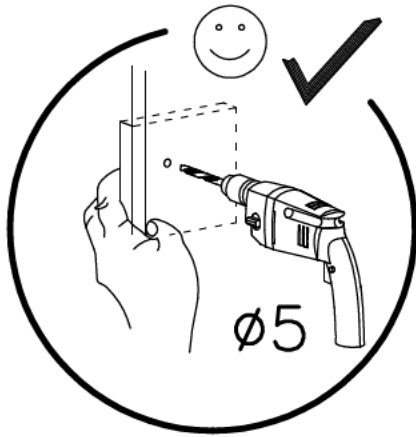


XIII





XIV



XV

